



US00D958287S

(12) **United States Design Patent** (10) **Patent No.:** **US D958,287 S**  
**Bulla** (45) **Date of Patent:** **\*\* Jul. 19, 2022**

(54) **TICK LIFTOFF ADHESIVE SHEET DISPENSER AND WASTE CONTAINER**

(71) Applicant: **Peggy Stitt Bulla**, Hindsville, AR (US)

(72) Inventor: **Peggy Stitt Bulla**, Hindsville, AR (US)

(\*\*) Term: **15 Years**

(21) Appl. No.: **29/716,999**

(22) Filed: **Dec. 13, 2019**

(51) **LOC (13) Cl.** ..... **22-06**

(52) **U.S. Cl.**  
USPC ..... **D22/122**

(58) **Field of Classification Search**  
USPC ..... D22/122; 606/210; 294/99.2; D24/147;  
D9/702  
CPC ..... A61F 15/001; A61B 17/50; B65D 33/18;  
B65D 33/20

See application file for complete search history.

(56) **References Cited**

**U.S. PATENT DOCUMENTS**

- 2,139,040 A \* 12/1938 Salfisberg ..... B65D 75/20  
206/823
- 3,771,254 A \* 11/1973 Scott ..... A01M 1/2055  
206/524.2
- 5,078,729 A \* 1/1992 Eichhorn ..... A61B 17/50  
294/99.2
- D344,015 S \* 2/1994 Jacobson ..... D3/227
- D363,083 S \* 10/1995 Thompson, III ..... D19/3
- 6,124,522 A 9/2000 Schroeder ..... 602/57

(Continued)

**FOREIGN PATENT DOCUMENTS**

CA 2750369 \* 6/2010 ..... A61K 13/02

**OTHER PUBLICATIONS**

New Car Scented Air Freshener Card with String, Blue, 3 PK . . .  
<https://www.grainger.com/product/LITTLE-TREES-New-Car-Scented-Air-Freshener-52HF69> 1994-2022.\*

*Primary Examiner* — Catherine R Oliver-Garcia  
(74) *Attorney, Agent, or Firm* — Keisling & Pieper PLC;  
David B. Pieper; Trent C. Keisling

(57) **CLAIM**

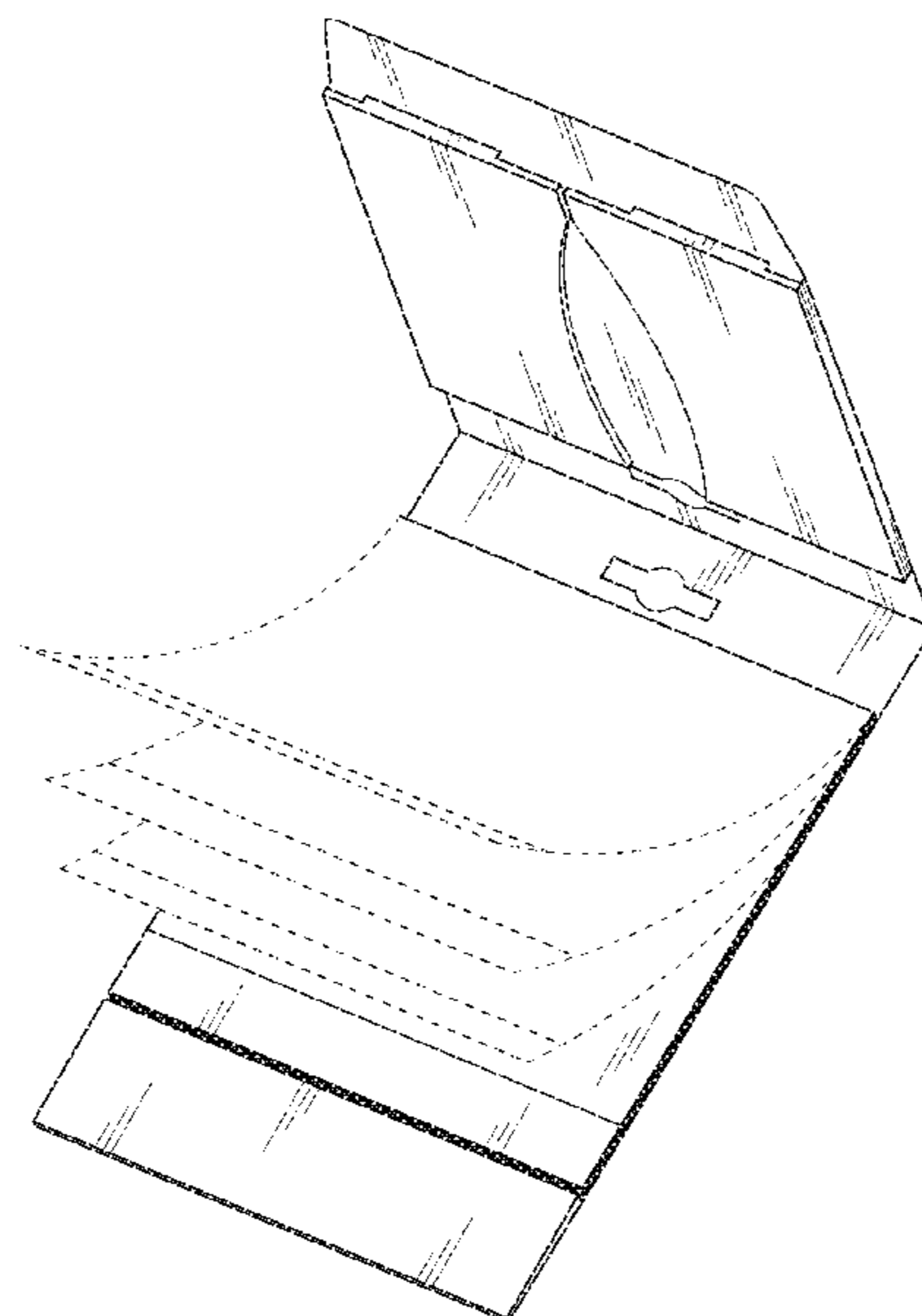
The ornamental design for a tick liftoff adhesive sheet dispenser and waste container, as shown and described.

**DESCRIPTION**

FIG. 1 is a perspective view of a tick liftoff adhesive sheet dispenser and waste container in a compacted position;  
 FIG. 2 is a perspective view of a tick liftoff adhesive sheet dispenser and waste container in a partially open position showing a section of adhesive sheet being lifted off from the adhesive sheet stack and the top curved envelope flap folds for waste containment;  
 FIG. 3 is a perspective view of a tick liftoff adhesive sheet dispenser and waste container in a fully opened position;  
 FIG. 4 is a top view thereof in the open position;  
 FIG. 5 is a left view thereof in the open position;  
 FIG. 6 is a front view thereof in the open position;  
 FIG. 7 is a right side view thereof in the open position;  
 FIG. 8 is a back view thereof in the open position;  
 FIG. 9 is a bottom view thereof in the open position;  
 FIG. 10 is a top view thereof in the closed position;  
 FIG. 11 is a left view thereof in the closed position;  
 FIG. 12 is a front view thereof in the closed position;  
 FIG. 13 is a right side view thereof in the closed position;  
 FIG. 14 is a back view thereof in the closed position; and,  
 FIG. 15 is a bottom view thereof in the closed position.

The broken lines showing the lifted off adhesive sheets and folded piece of adhesive sheet are for the purpose of illustrating environmental structure and form no part of the claimed design.

**1 Claim, 5 Drawing Sheets**



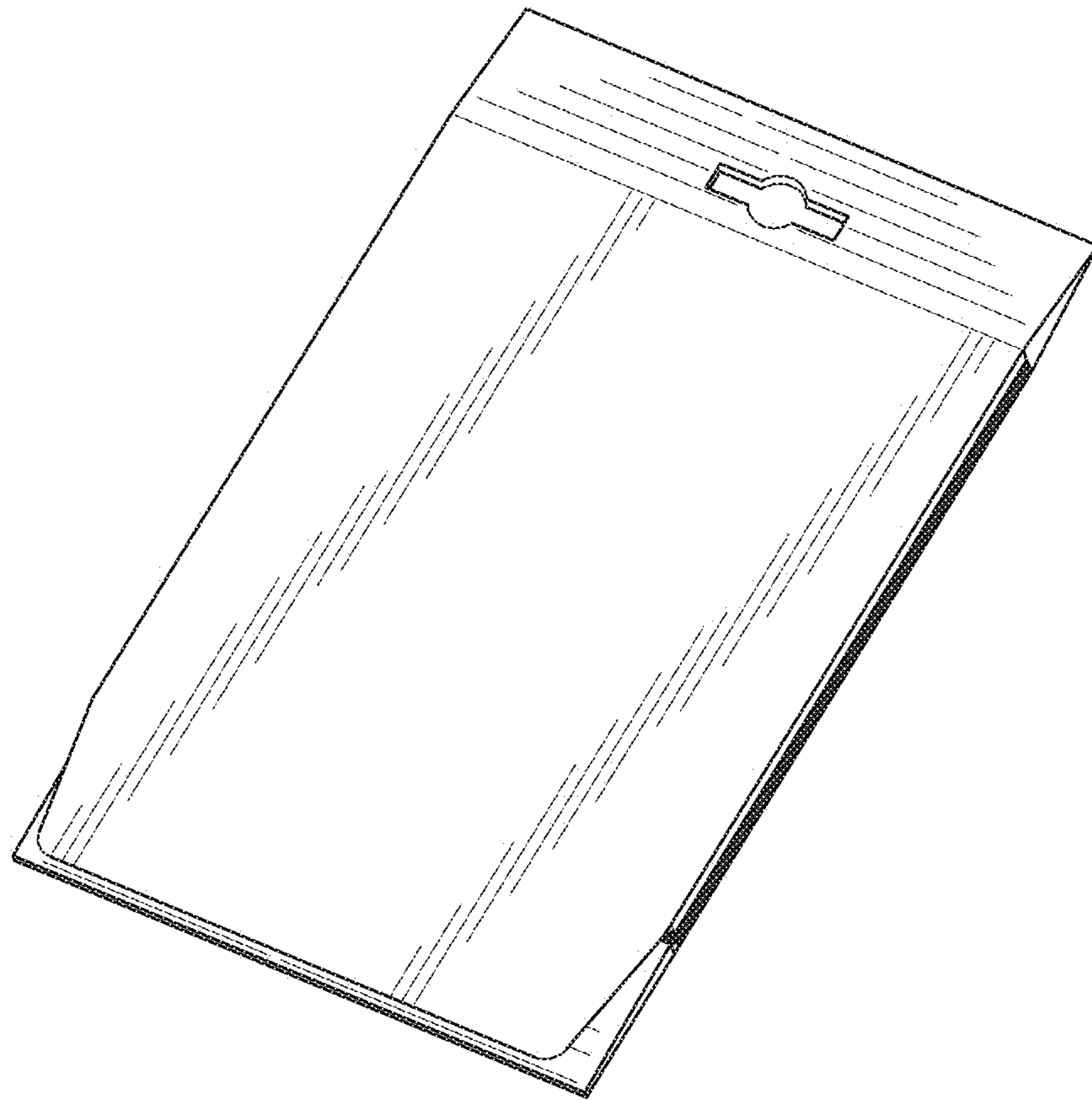
(56)

**References Cited**

U.S. PATENT DOCUMENTS

7,150,125 B1 \* 12/2006 Mizell, III ..... A01M 1/106  
43/118  
D790,360 S \* 6/2017 Down ..... D9/702  
D871,751 S \* 1/2020 Heitz ..... D3/201  
D898,583 S \* 10/2020 Beardsall ..... D9/702  
D913,406 S \* 3/2021 Sanford ..... D22/122  
2006/0270959 A1 \* 11/2006 Parker ..... A61F 13/0203  
602/57  
2010/0179041 A1 \* 7/2010 Duvekot ..... B65D 73/0078  
229/72

\* cited by examiner



*FIG. 1*

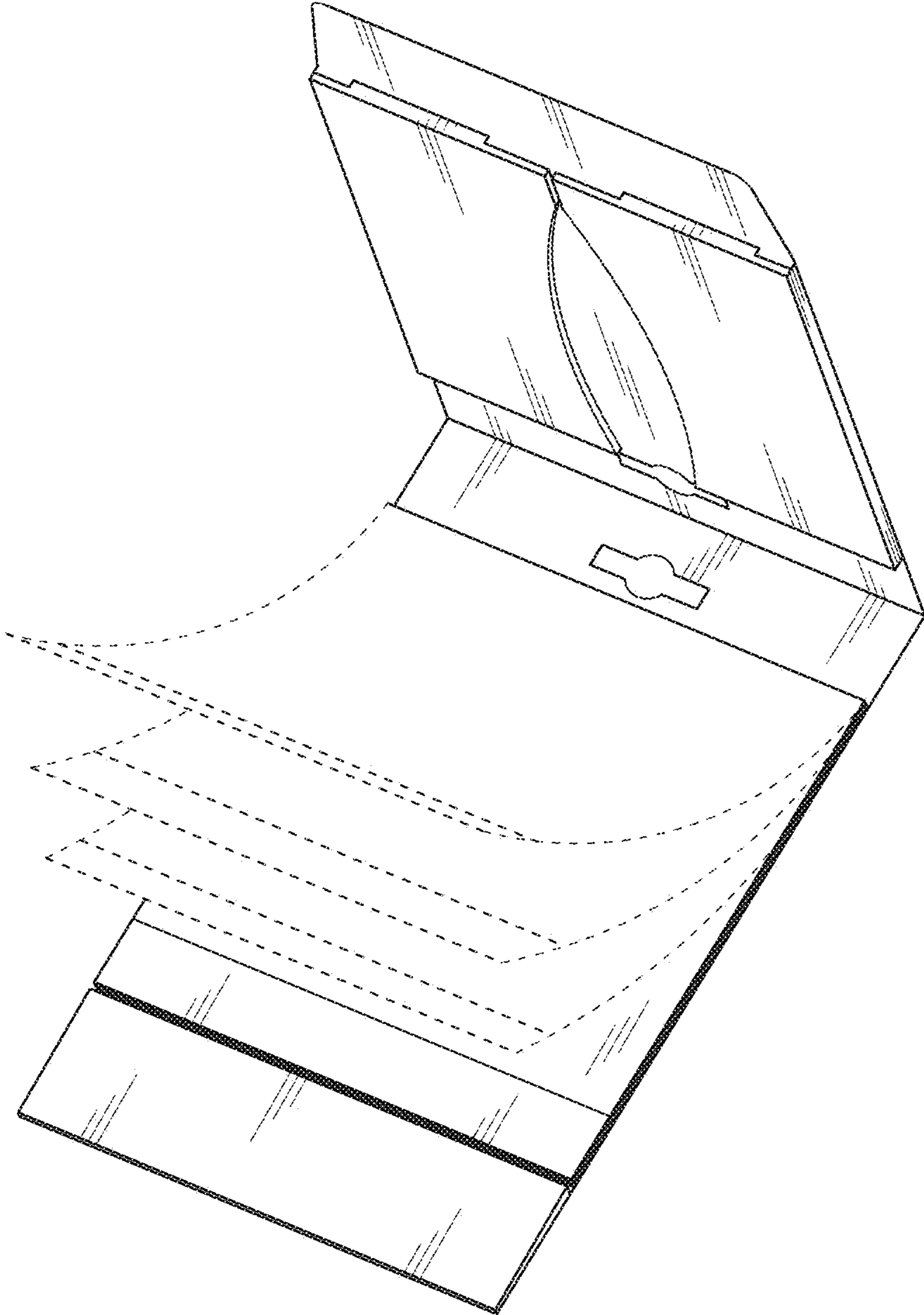
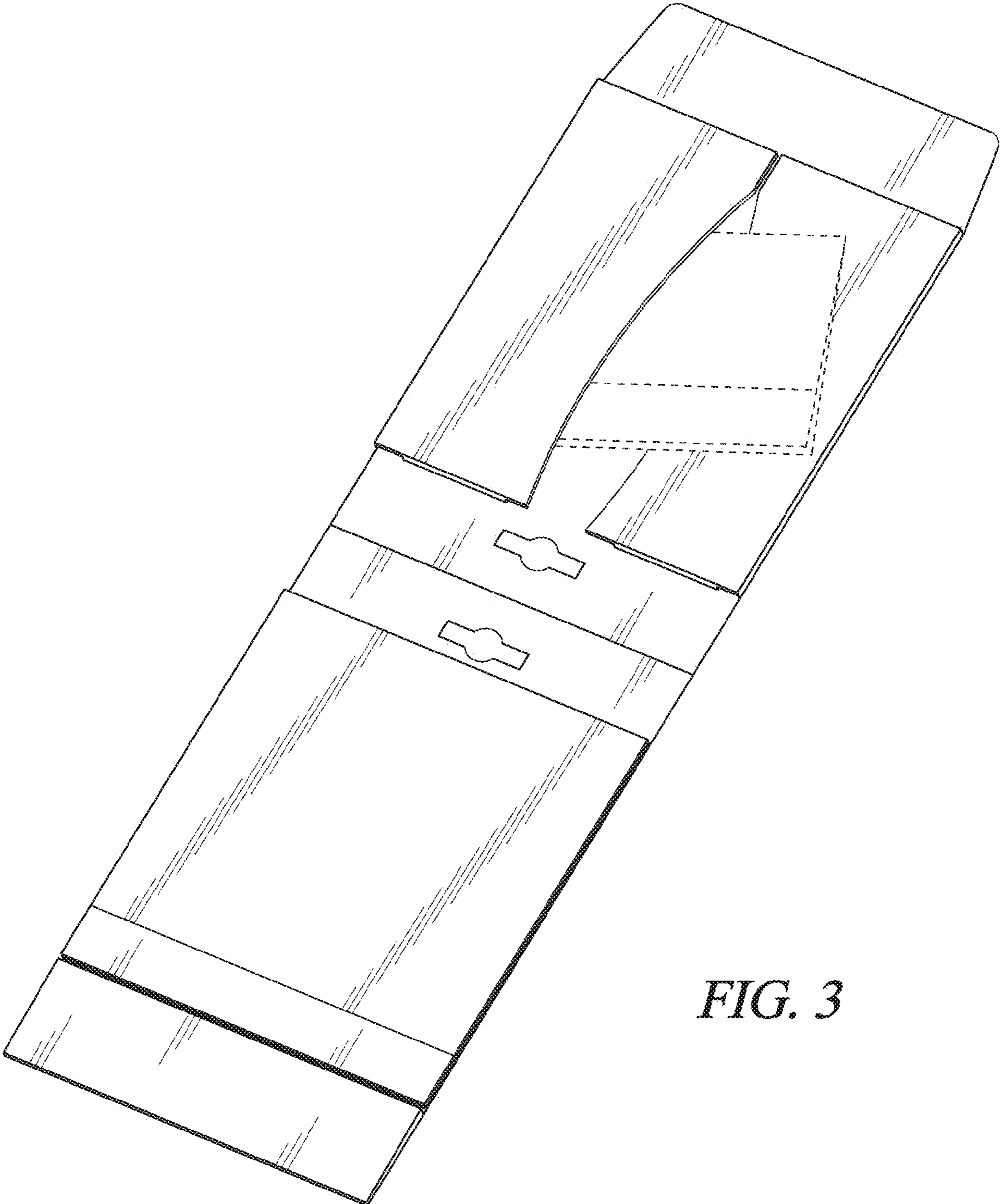
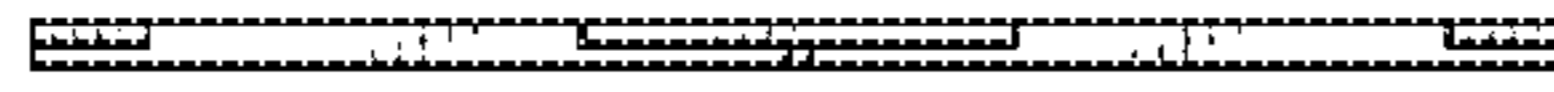


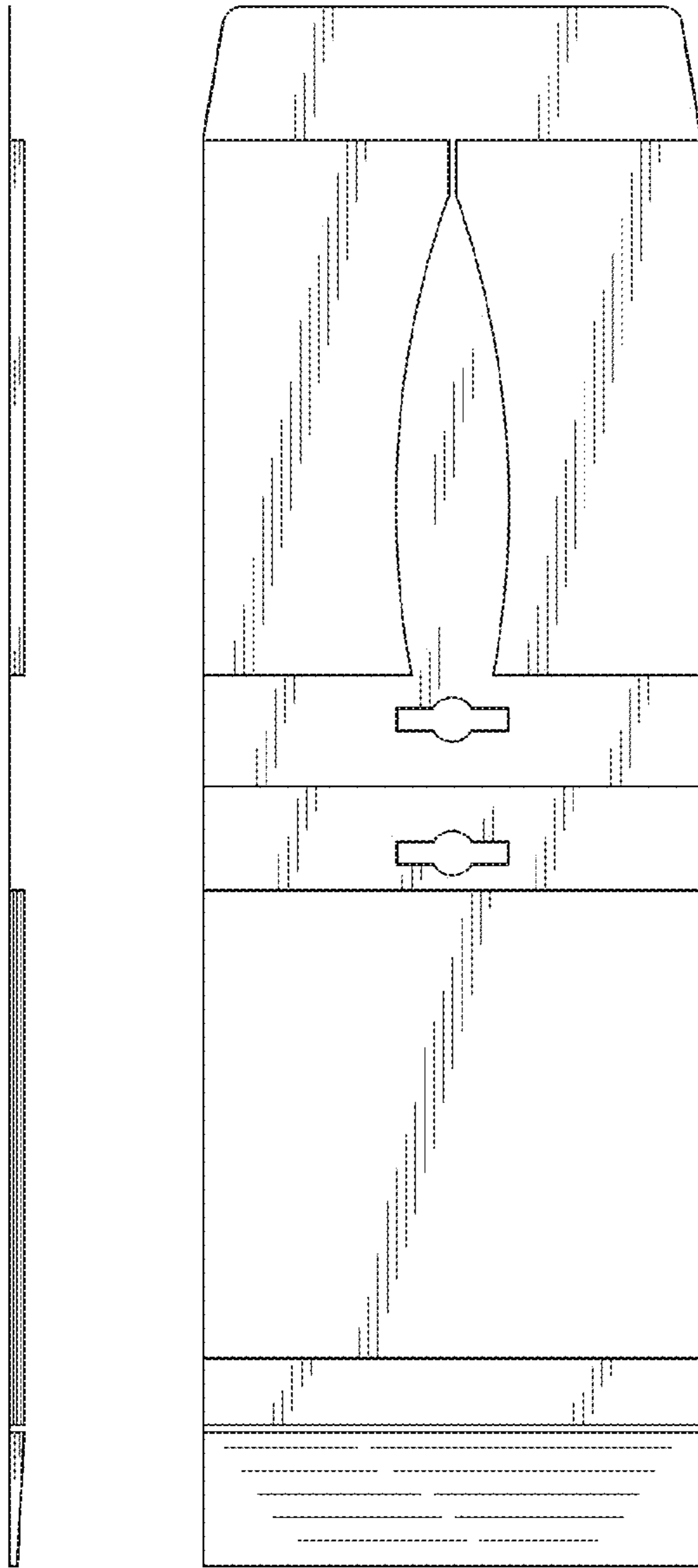
FIG. 2



*FIG. 3*

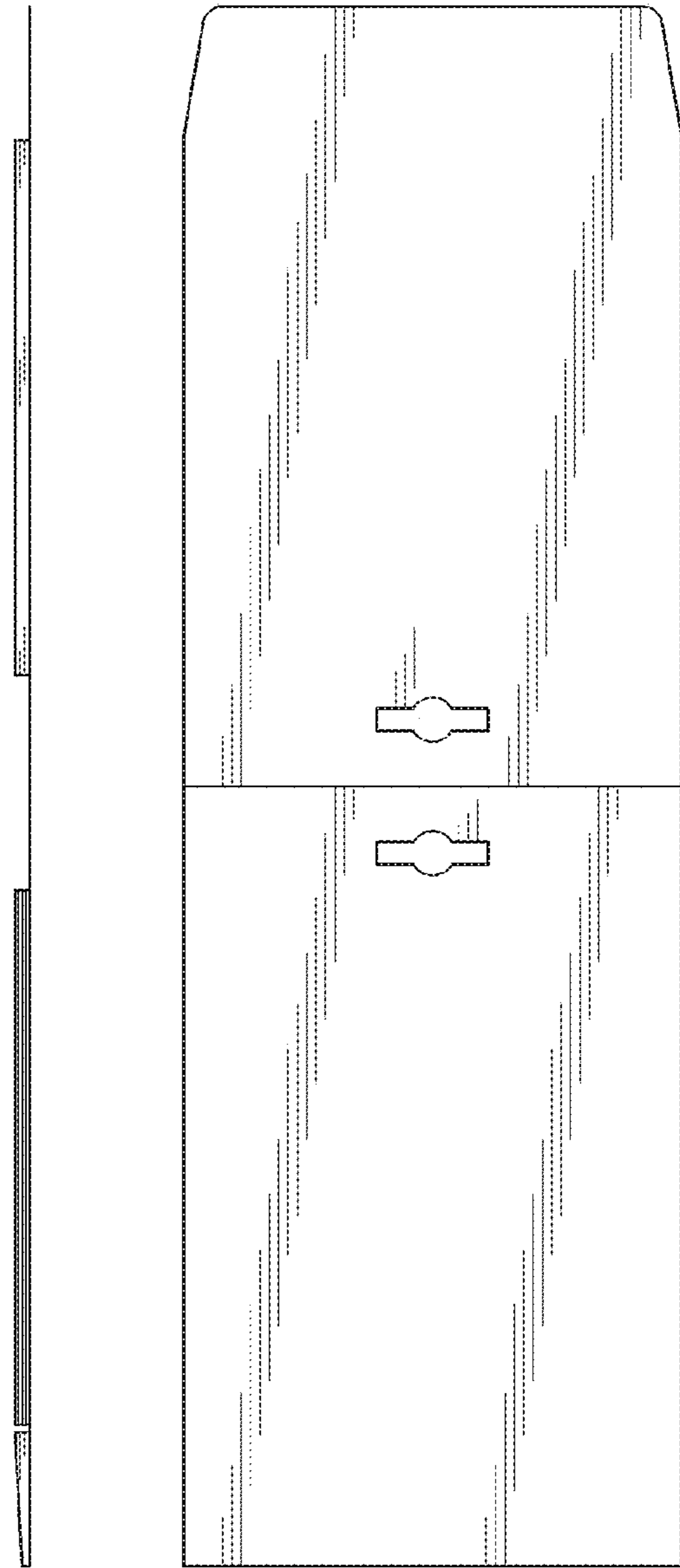


*FIG. 4*



*FIG. 5*

*FIG. 6*

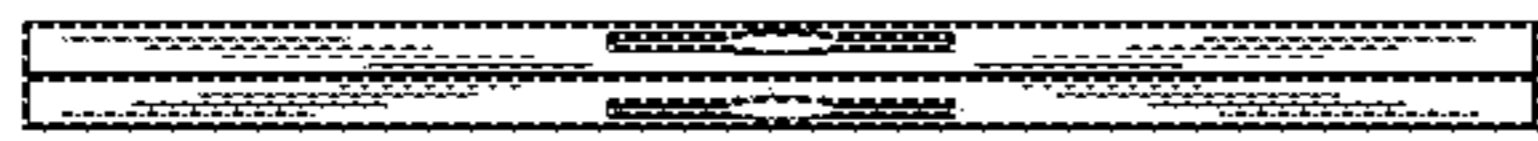


*FIG. 7*

*FIG. 8*



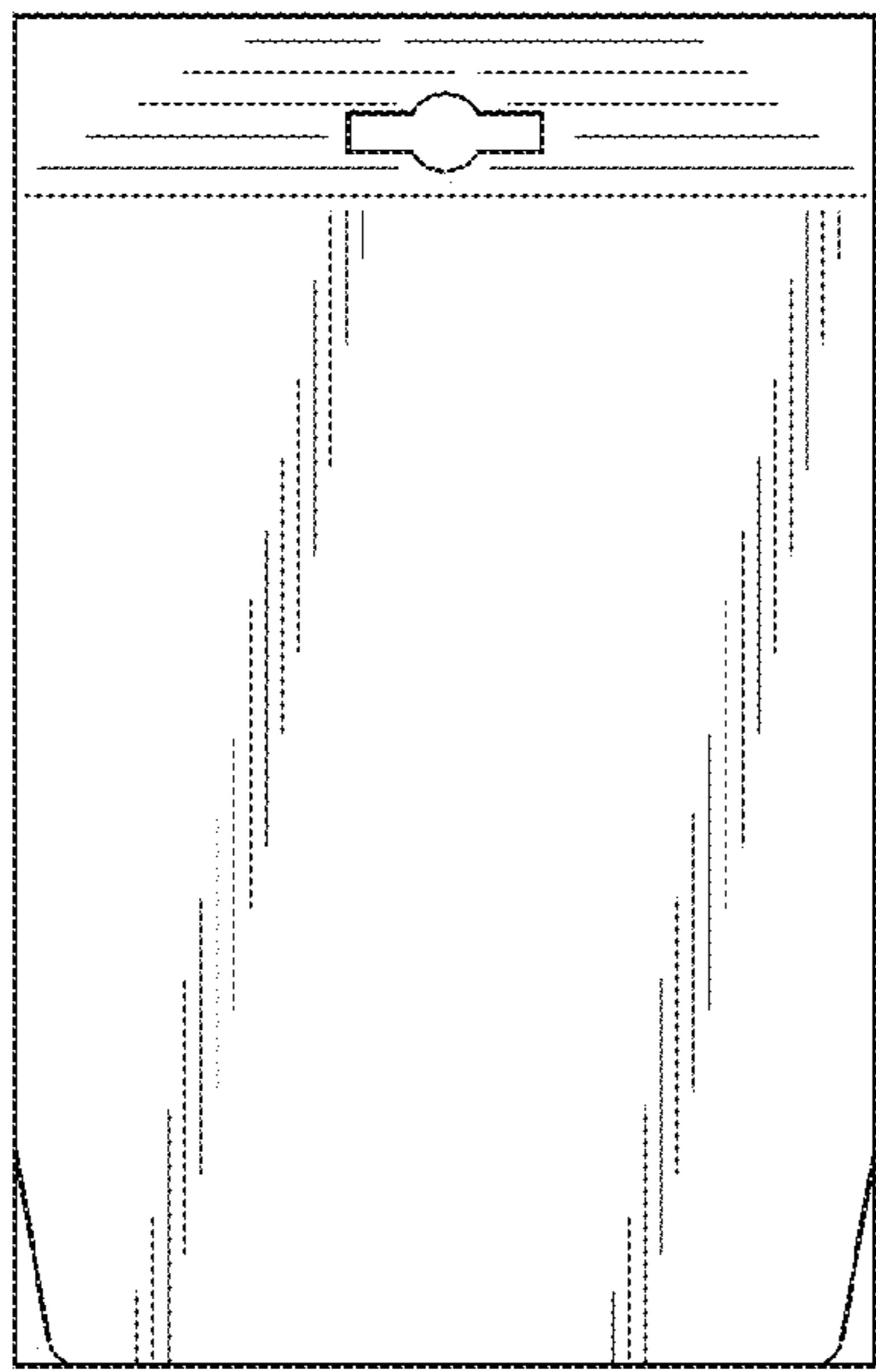
*FIG. 9*



*FIG. 10*



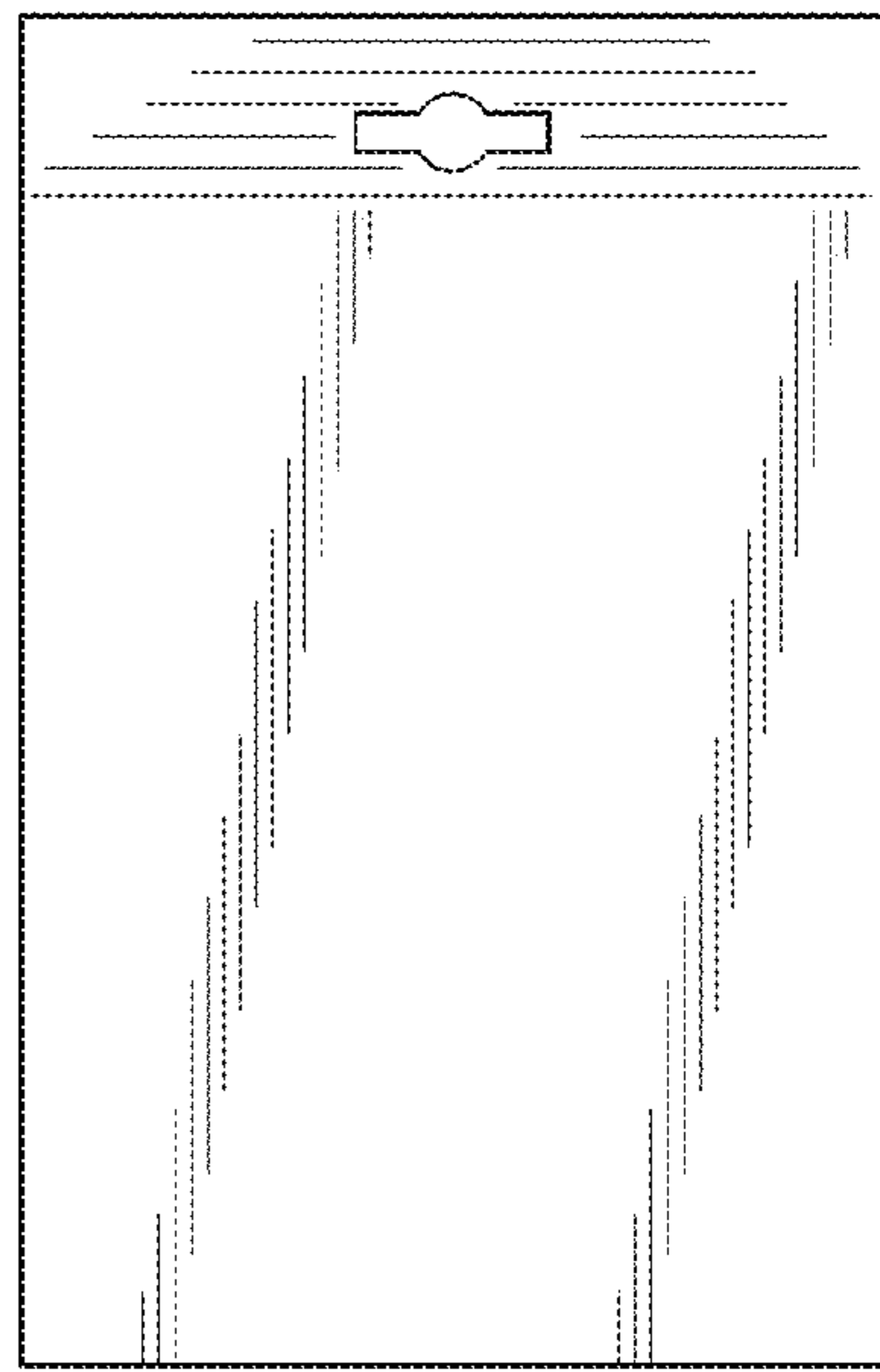
*FIG. 11*



*FIG. 12*



*FIG. 13*



*FIG. 14*



*FIG. 15*