



US00D958286S

(12) **United States Design Patent**
Lee

(10) **Patent No.:** **US D958,286 S**
(45) **Date of Patent:** **** Jul. 19, 2022**

(54) **ARROWHEAD FOR HUNTING**
(71) Applicant: **Young Ki Lee**, Busan (KR)
(72) Inventor: **Young Ki Lee**, Busan (KR)
(**) Term: **15 Years**
(21) Appl. No.: **29/676,326**

D400,957 S *	11/1998	Botruff	D22/115
D538,375 S *	3/2007	Reitz	D22/107
D548,813 S *	8/2007	Nettle	D22/107
D627,029 S *	11/2010	Heiden	D22/107
D630,700 S *	1/2011	Fanizzi	D22/107
D630,701 S *	1/2011	Fanizzi	D22/107
D644,289 S *	8/2011	Heiden	D22/107
D768,798 S *	10/2016	Loa	D22/107
D846,683 S *	4/2019	Thomson	D22/107
D923,738 S *	6/2021	Chen	D22/107

* cited by examiner

(22) Filed: **Jan. 10, 2019**
(51) **LOC (13) Cl.** **22-01**
(52) **U.S. Cl.**
USPC **D22/107; D22/115**
(58) **Field of Classification Search**
USPC D22/107, 115
CPC F41B 5/1426; F42B 6/02; F42B 6/003;
F42B 6/04; F42B 6/08; F42B 12/362
See application file for complete search history.

Primary Examiner — S. Bryan Reinholdt, Jr.
(74) *Attorney, Agent, or Firm* — Kile Park Reed & Houtteman PLLC

(57) **CLAIM**

I claim, the ornamental design for an arrowhead for hunting, as shown and described.

DESCRIPTION

FIG. 1 is a top and front perspective view of an arrowhead for hunting, showing my new design;
FIG. 2 is a front view thereof;
FIG. 3 is a rear view thereof;
FIG. 4 is a left side view thereof;
FIG. 5 is a right side view thereof;
FIG. 6 is a top view thereof; and,
FIG. 7 is a bottom view thereof.

(56) **References Cited**

U.S. PATENT DOCUMENTS

2,864,618 A *	12/1958	Schwenk	F42B 6/08
				473/583
2,909,372 A *	10/1959	Neri	F42B 6/08
				473/584
4,974,859 A *	12/1990	Briesemeister	F42B 6/08
				473/584

1 Claim, 5 Drawing Sheets

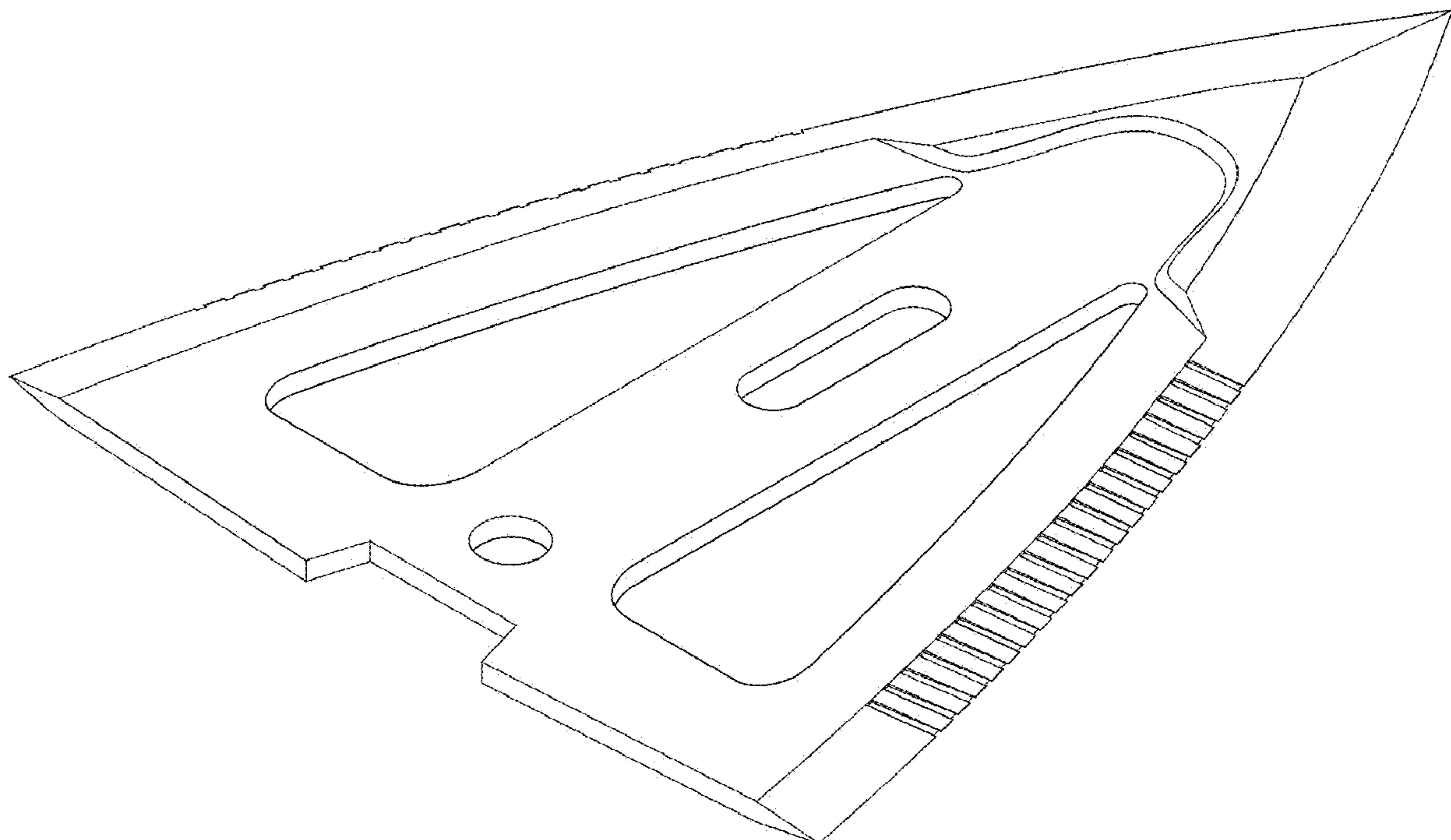


FIG. 1

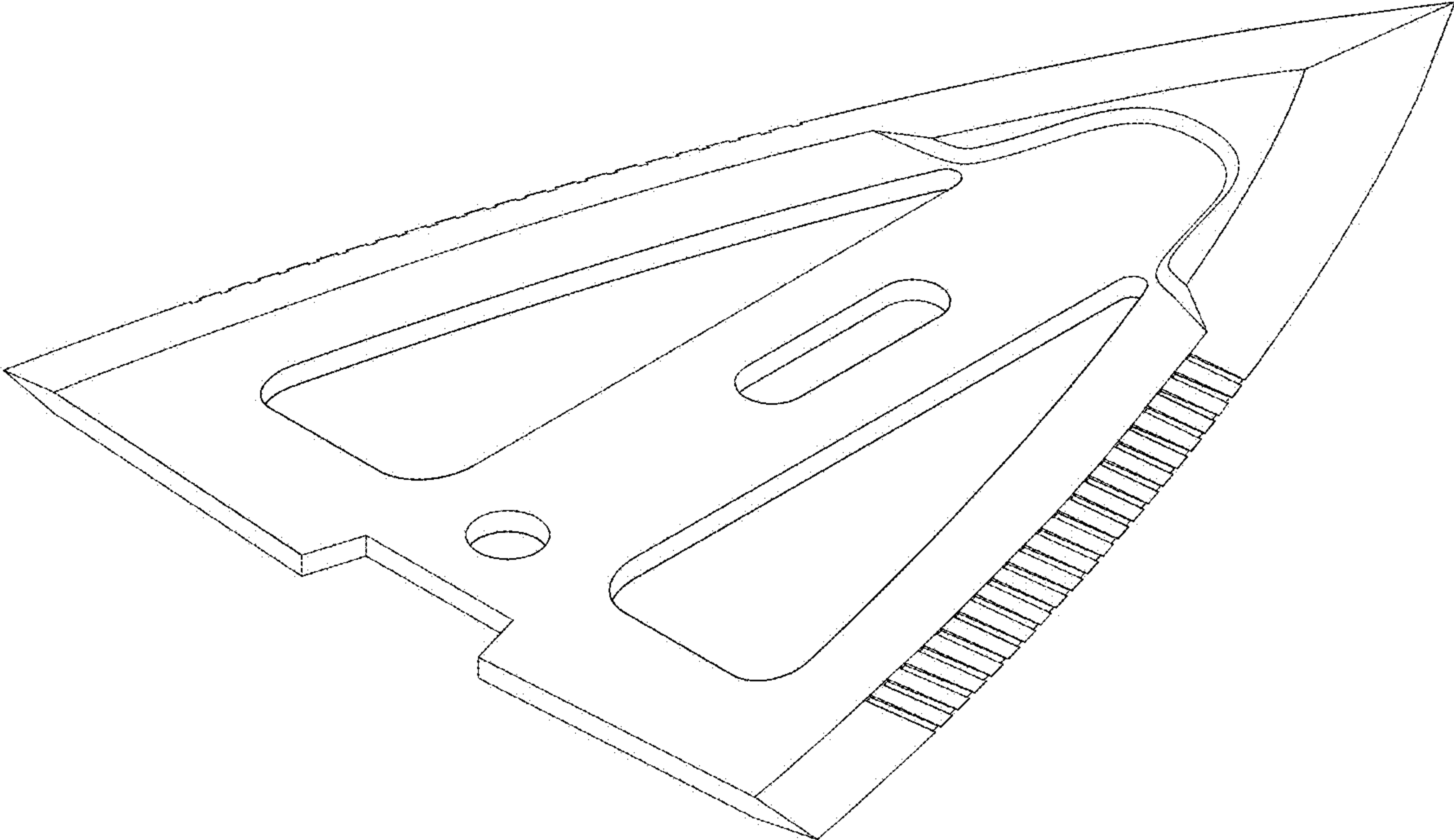


FIG. 2

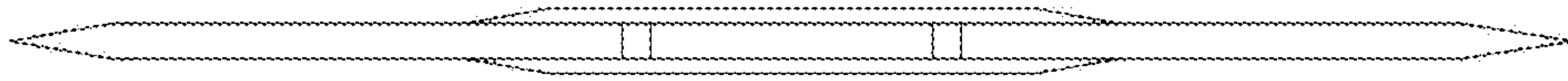


FIG. 3

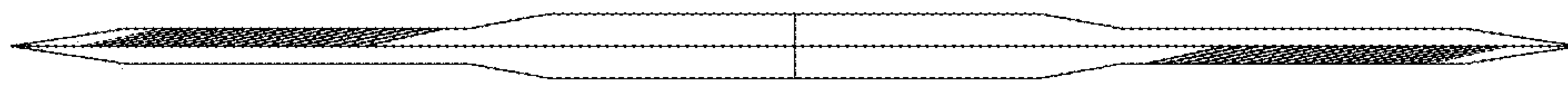


FIG. 4

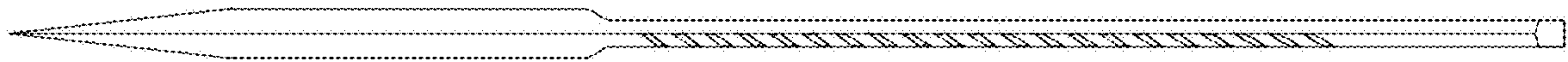


FIG. 5

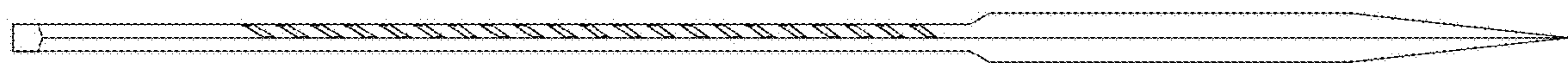


FIG. 6

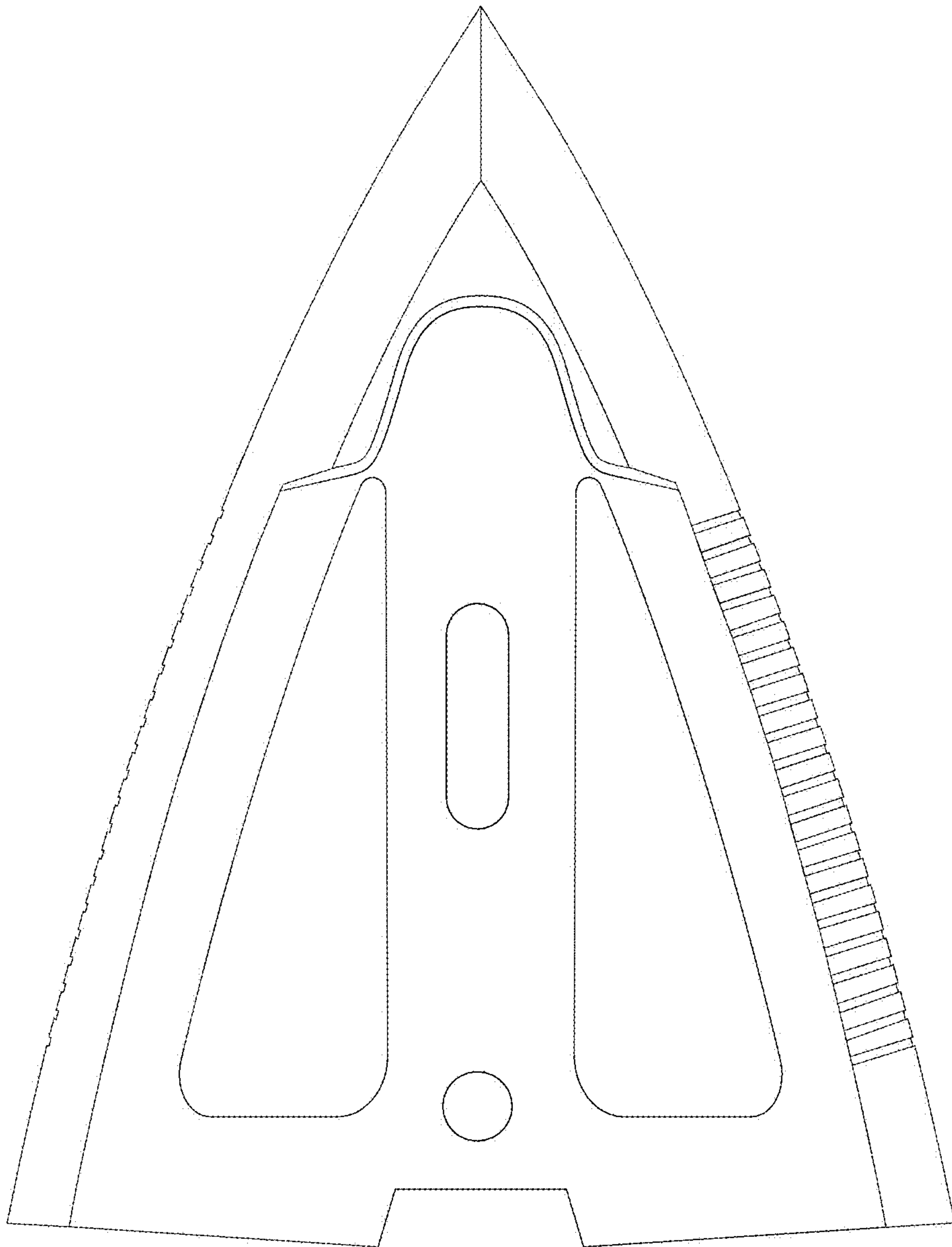


FIG. 7

