



US00D958285S

(12) **United States Design Patent**
Inan et al.

(10) **Patent No.:** **US D958,285 S**

(45) **Date of Patent:** **** Jul. 19, 2022**

- (54) **MOUNTAIN COASTER**
- (71) Applicant: **Polin Su Parklari ve Havuz Sistemleri Anonim Sirketi, Kocaeli (TR)**
- (72) Inventors: **Turker Inan, Kocaeli (TR); Emre Ozsoz, Kocaeli (TR)**
- (73) Assignee: **POLIN SU PARKLARI VE HAVUZ SISTEMLERI ANONIM SIRKETI, Kocaeli (TR)**

4,864,960	A *	9/1989	Sansoucy	B63B 34/20 114/345
D303,878	S *	10/1989	Goldsmith	D6/368
D394,891	S *	6/1998	Peterson	D12/316
D428,090	S *	7/2000	Peterson	D21/801
D435,504	S *	12/2000	Peterson	D12/316
D541,728	S *	5/2007	Fritsch	D12/300
2013/0025492	A1 *	1/2013	Crawford	A63G 7/00 104/63
2019/0004598	A1 *	1/2019	Gordt	G06F 3/011
2020/0391617	A1 *	12/2020	Lee	B60N 2/62
2021/0001757	A1 *	1/2021	Toda	B60N 2/688

(**) Term: **15 Years**

(21) Appl. No.: **29/711,287**

(22) Filed: **Oct. 30, 2019**

(30) **Foreign Application Priority Data**

Apr. 30, 2019 (TR) 2019/02919

(51) **LOC (13) Cl.** **21-03**

(52) **U.S. Cl.**
USPC **D21/828**

(58) **Field of Classification Search**
USPC D21/760, 764, 766, 767, 769, 801, 809,
D21/810, 369, 828; D12/300, 301, 316,
D12/302, 303, 317

See application file for complete search history.

(56) **References Cited**

U.S. PATENT DOCUMENTS

2,803,839	A *	8/1957	Mosley	B63C 9/30 441/131
3,039,784	A *	6/1962	Davis	A63C 17/01 280/87.042

* cited by examiner

Primary Examiner — Khawaja Anwar

Assistant Examiner — Julice Seung Eun Oum

(74) *Attorney, Agent, or Firm* — Bayramoglu Law Offices LLC

(57) **CLAIM**

The ornamental design for a mountain coaster, as shown and described.

DESCRIPTION

FIG. 1 is a front and right perspective view of a mountain coaster showing our new design;
 FIG. 2 is a rear and right perspective view thereof;
 FIG. 3 is a front and left perspective view thereof;
 FIG. 4 is a right side elevational view thereof;
 FIG. 5 is a left side elevational thereof;
 FIG. 6 is a front elevational view thereof;
 FIG. 7 is a rear elevational view thereof; and,
 FIG. 8 is a top plan view thereof.

1 Claim, 8 Drawing Sheets

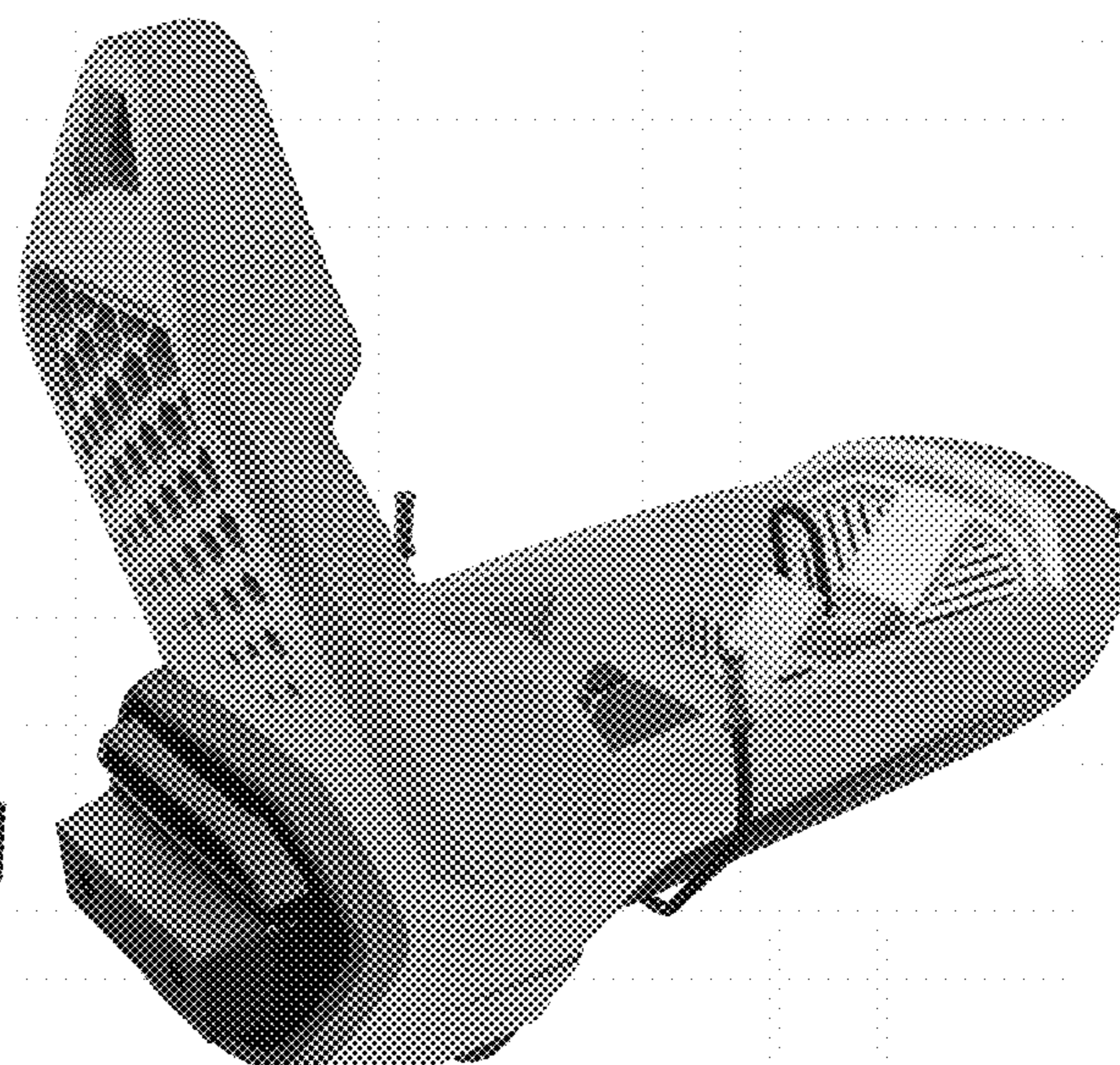
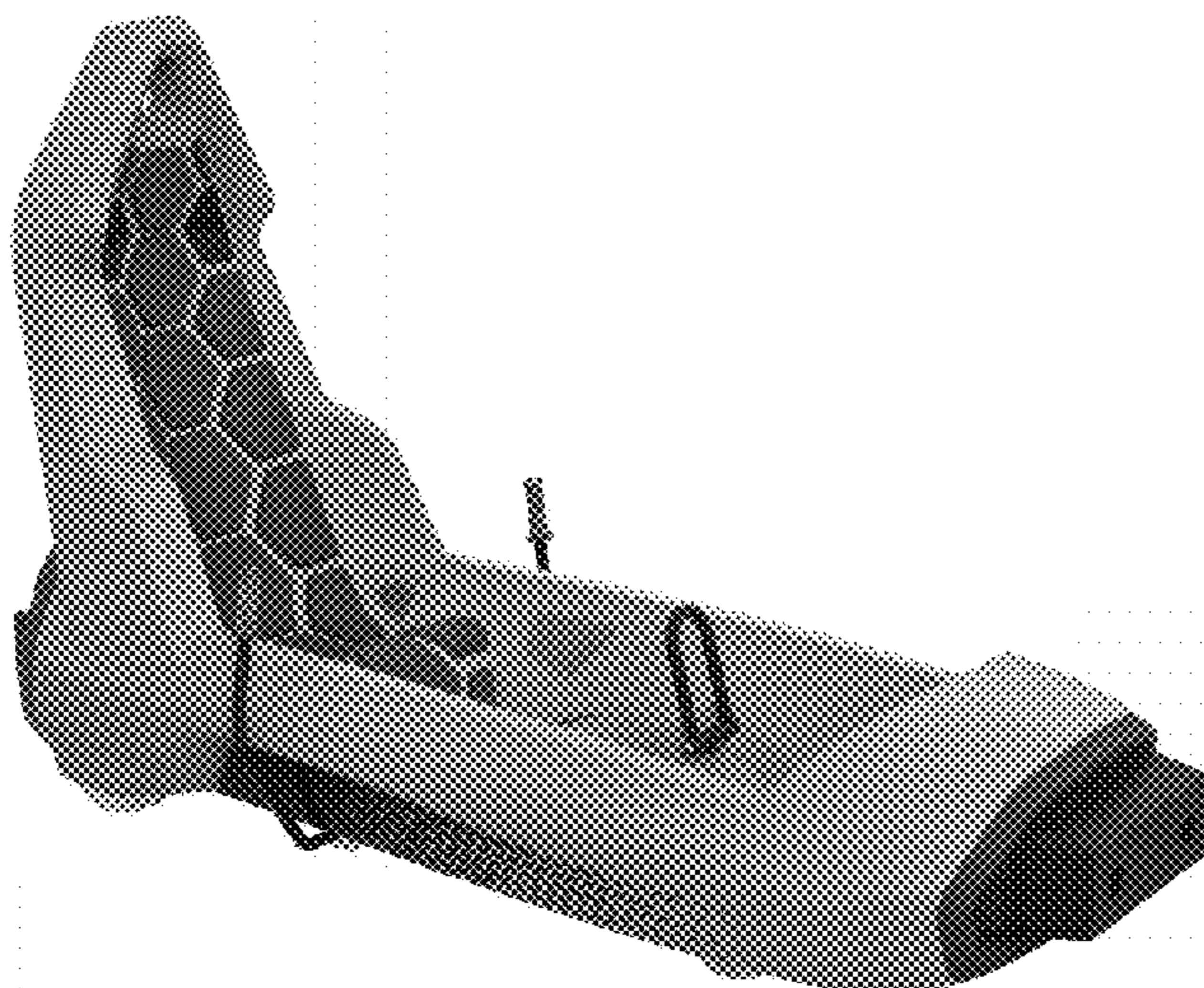




FIG. 1



FIG. 2

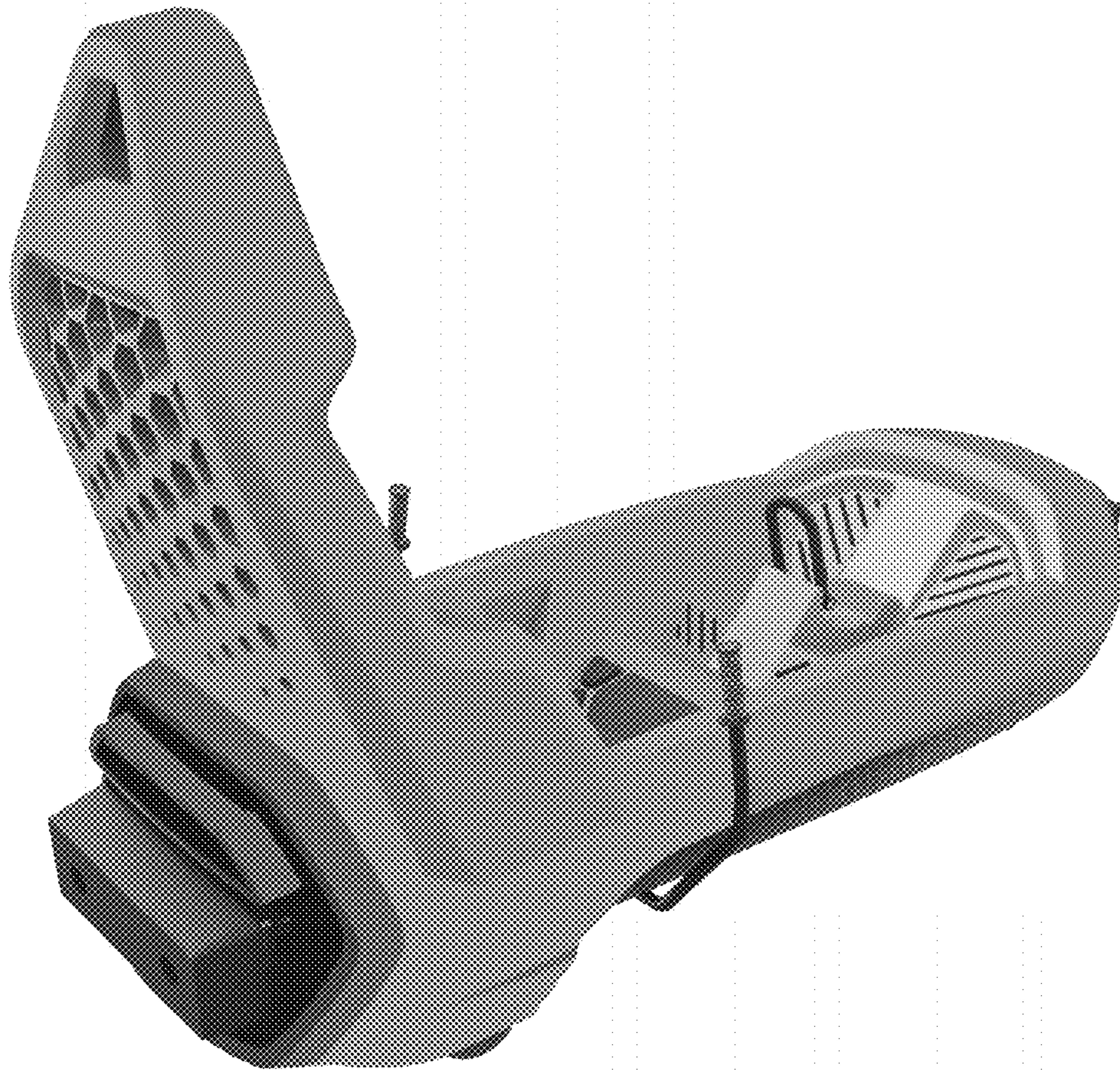


FIG. 3

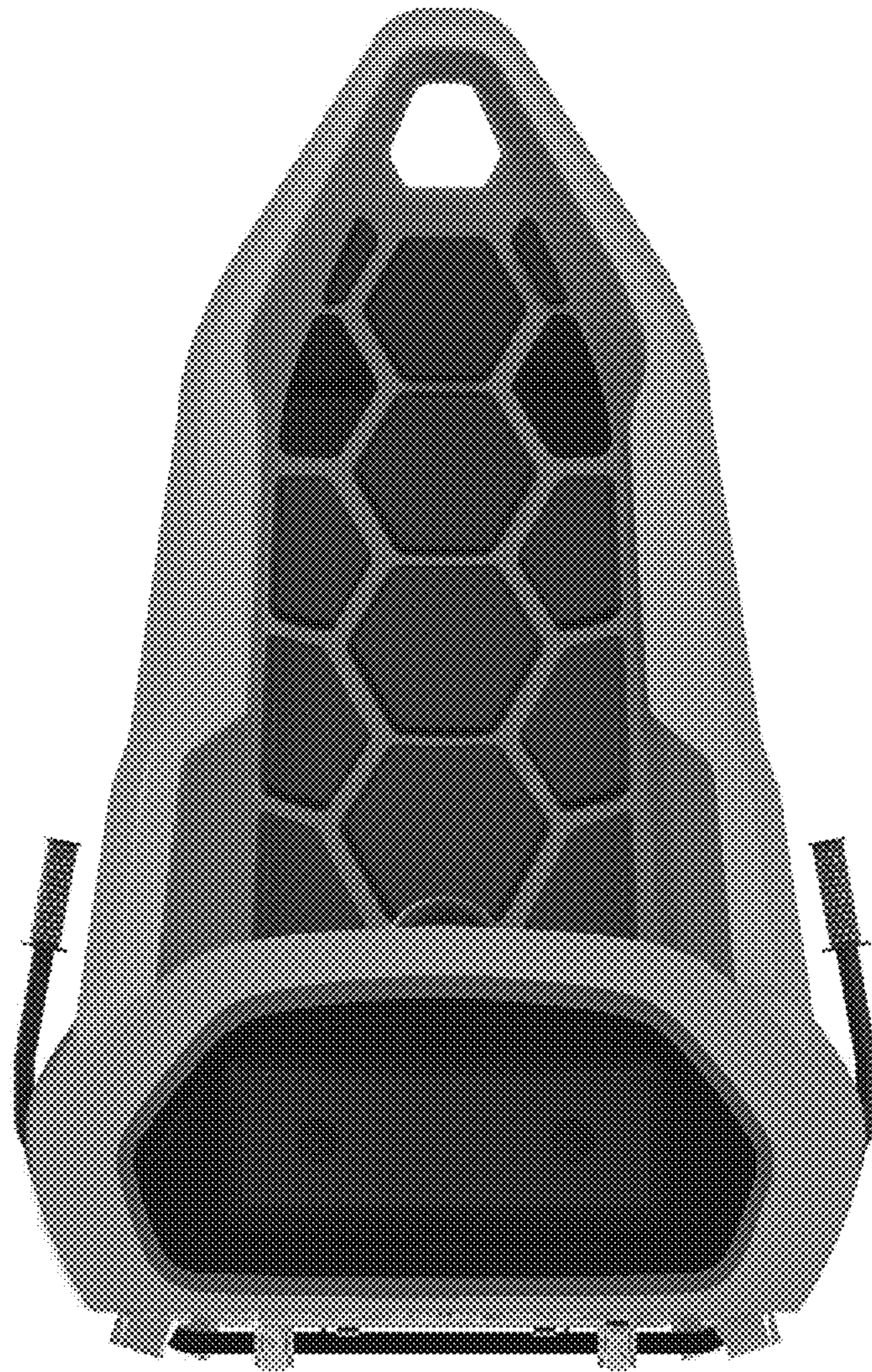


FIG. 4

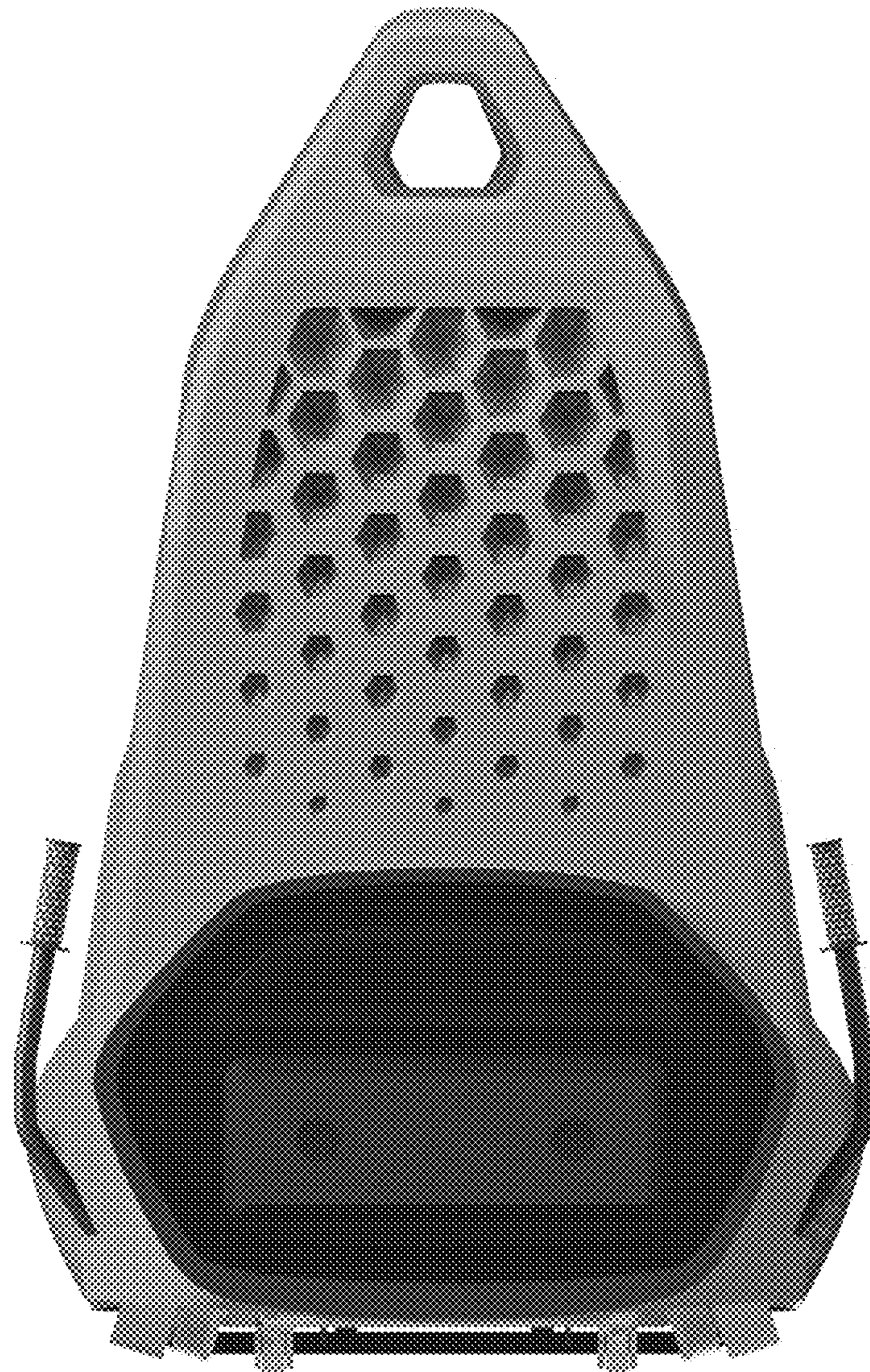


FIG. 5

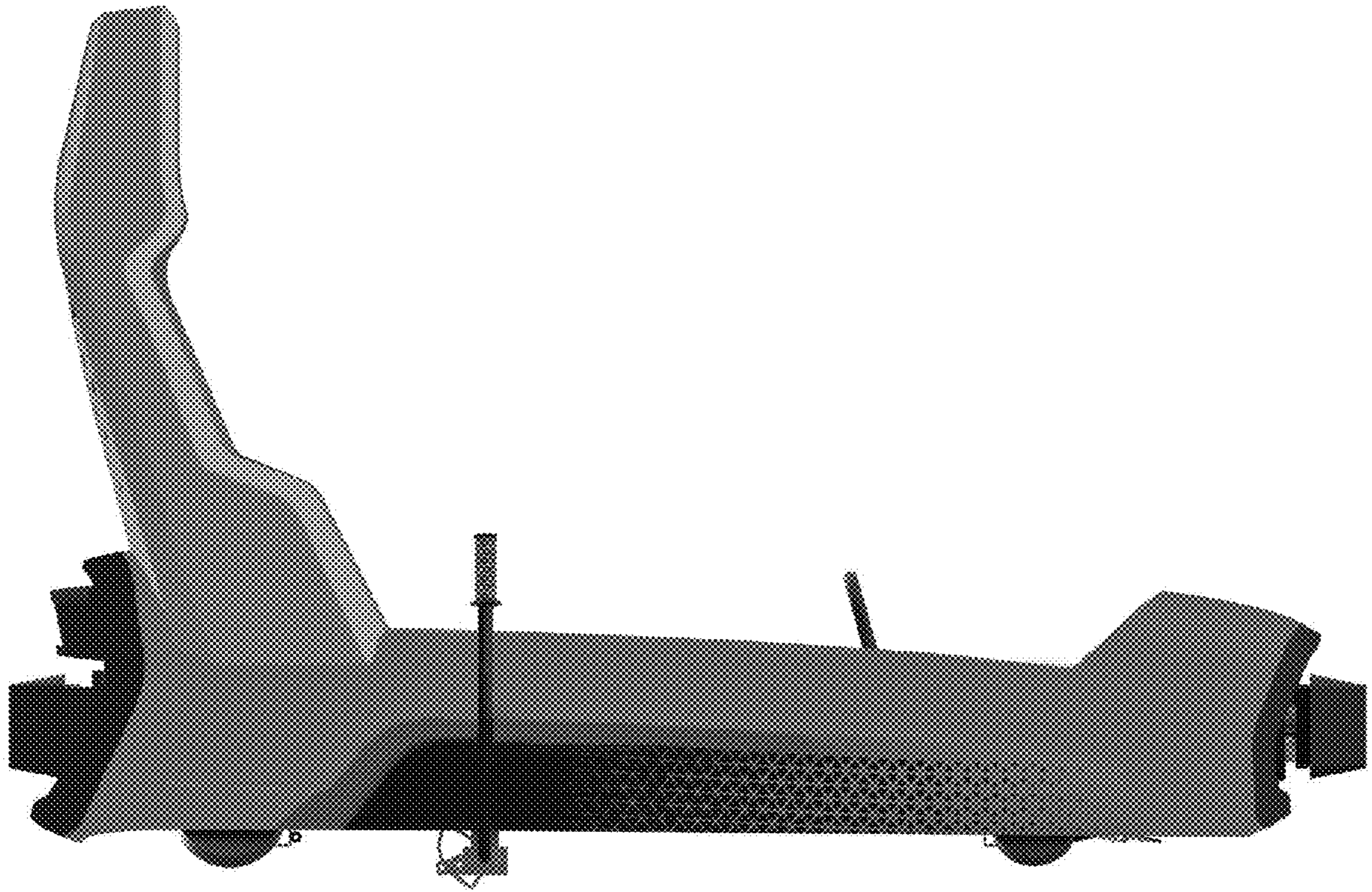


FIG. 6

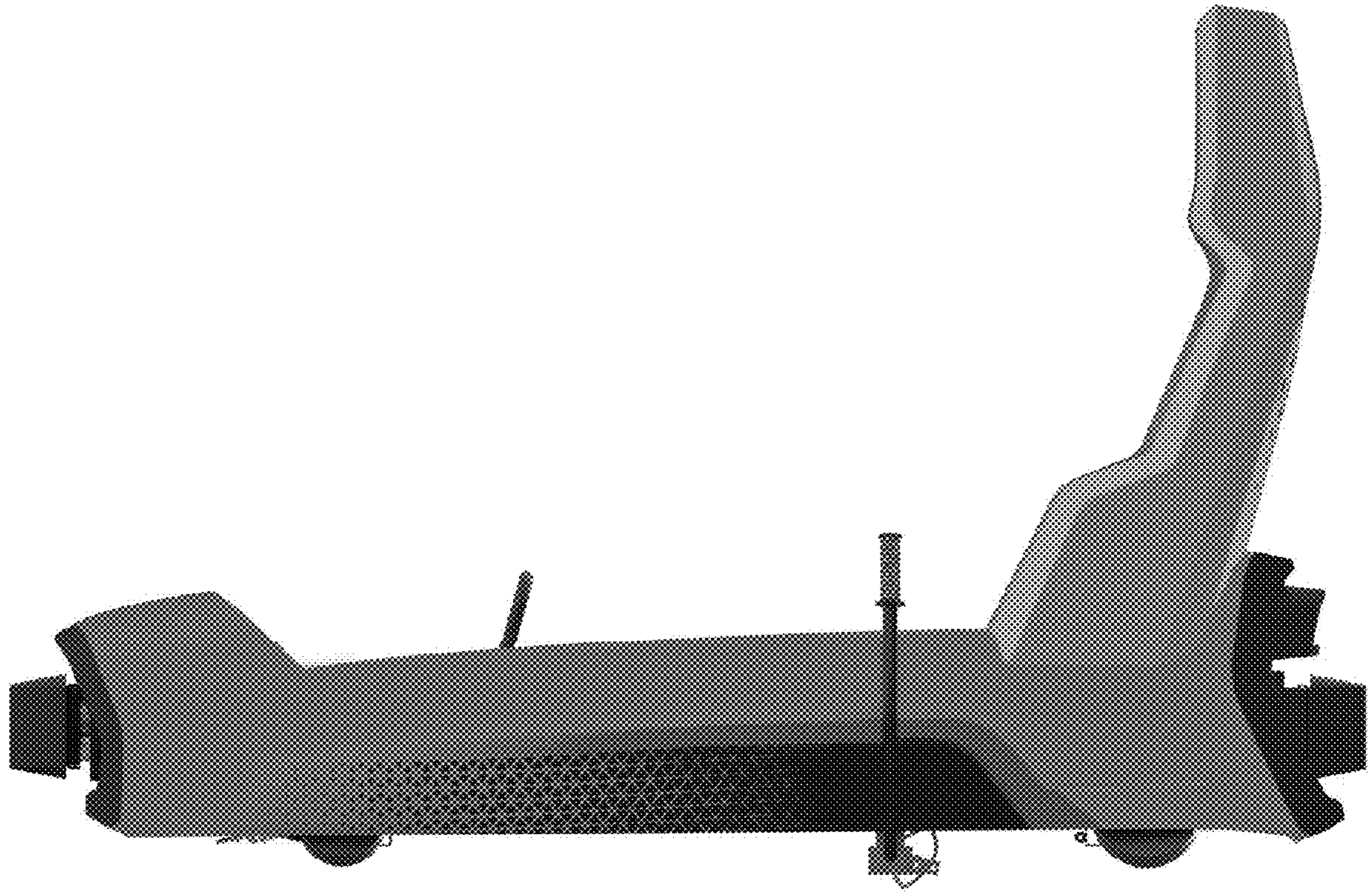


FIG. 7

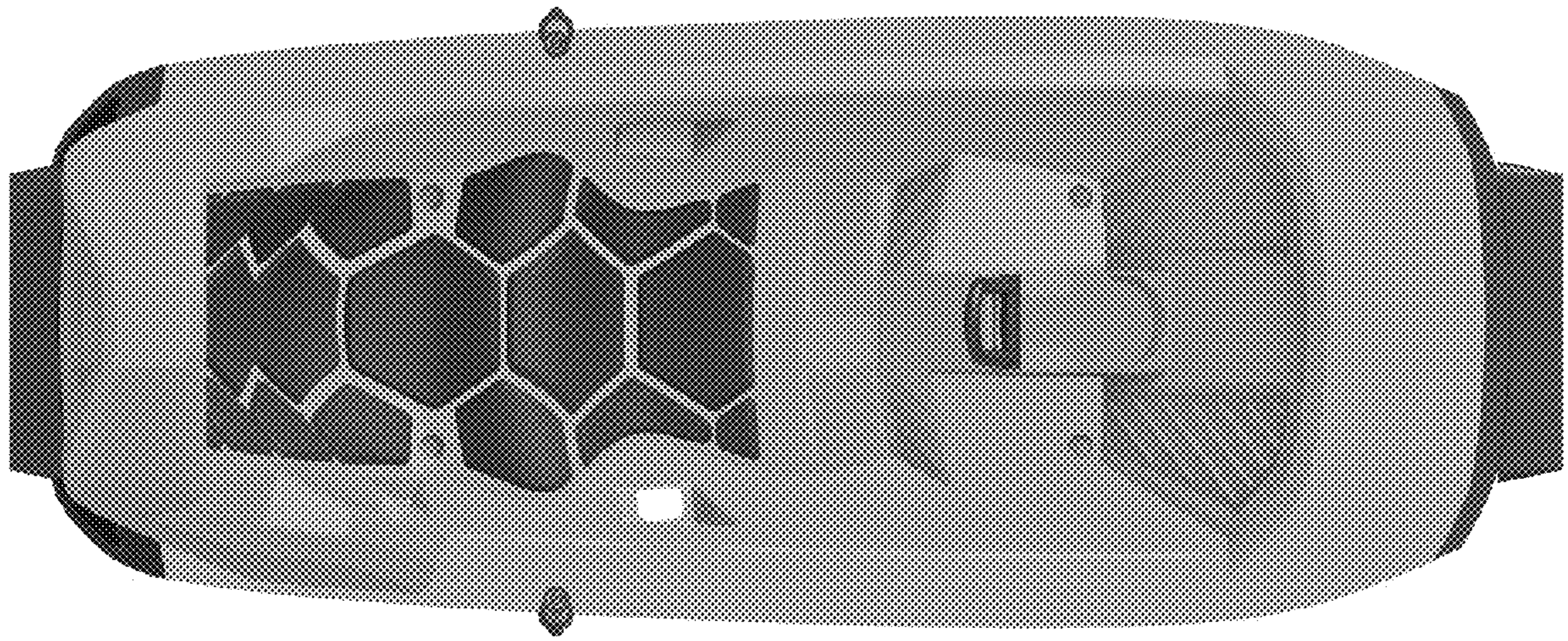


FIG. 8