



US00D958280S

(12) **United States Design Patent**  
**Radreaux et al.**

(10) **Patent No.: US D958,280 S**  
(45) **Date of Patent: \*\* Jul. 19, 2022**

(54) **TABLE TENNIS TABLE**  
(71) Applicant: **CORNILLEAU SAS**,  
Bonneuil-les-Eaux (FR)  
(72) Inventors: **Romain Radreaux**, Bonneuil-les-Eaux  
(FR); **Nicolas Havard**,  
Bonneuil-les-Eaux (FR)

7,597,636 B2 \* 10/2009 Vallon ..... A47B 25/003  
473/496  
D714,411 S \* 9/2014 Chen ..... A63B 67/04  
D21/799.2  
D809,083 S \* 1/2018 Fritschy ..... D21/799.2  
2009/0176605 A1 \* 7/2009 Leon ..... A47B 3/0911  
473/496

\* cited by examiner

(\*\*) Term: **15 Years**

*Primary Examiner* — Joseph Kukella

(21) Appl. No.: **35/509,962**

(22) Filed: **Jun. 8, 2020**

(80) **Hague Agreement Data**

Int. Filing Date: **Jun. 8, 2020**  
Int. Reg. No.: **DM/209381**  
Int. Reg. Date: **Jun. 8, 2020**  
Int. Reg. Pub. Date: **Jul. 31, 2020**

(57) **CLAIM**

The ornamental design for a table tennis table, as shown and described.

(51) **LOC (13) Cl.** ..... **21-02**

(52) **U.S. Cl.**  
USPC ..... **D21/799.2**

(58) **Field of Classification Search**  
USPC ..... D6/709, 709.2, 709.21, 710, 712;  
D21/799.2  
CPC ..... A47B 25/003  
See application file for complete search history.

**DESCRIPTION**

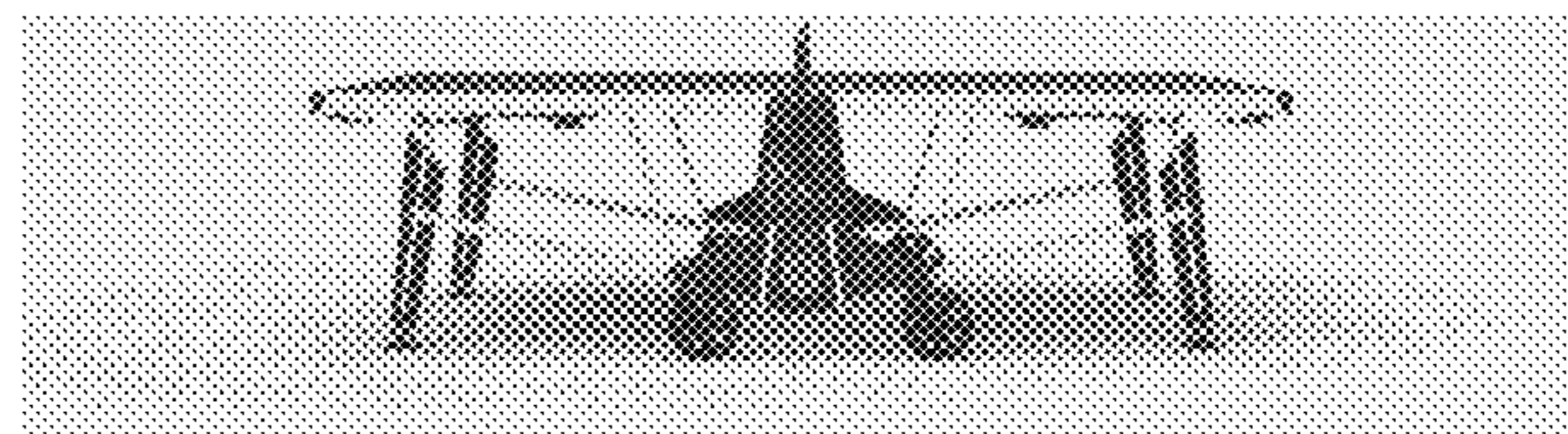
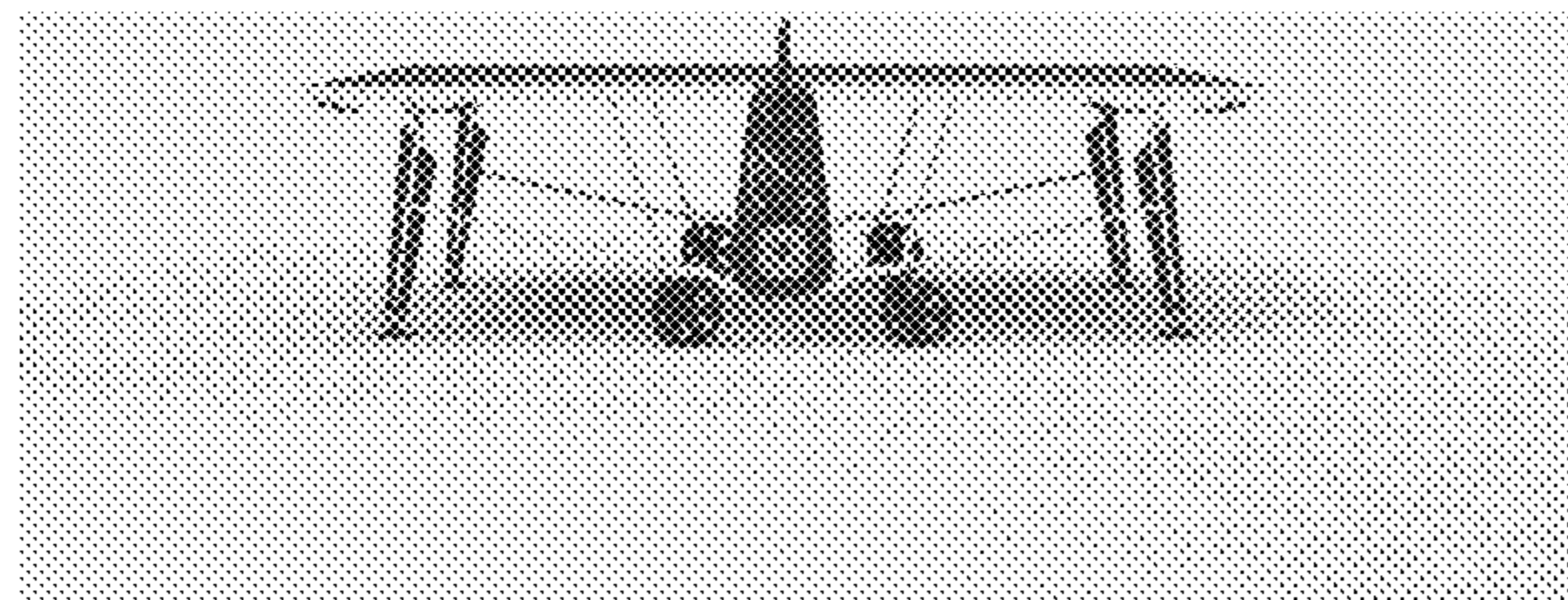
3. and 4. Table tennis table  
**3.1** : Perspective  
**3.2**: Front  
**3.3** : Perspective  
**3.4** : Left  
**3.5** : Perspective  
**4.1** : Perspective  
**4.2**: Front  
**4.3** : Left  
**4.4** : Perspective  
**4.5** : Perspective

(56) **References Cited**

**U.S. PATENT DOCUMENTS**

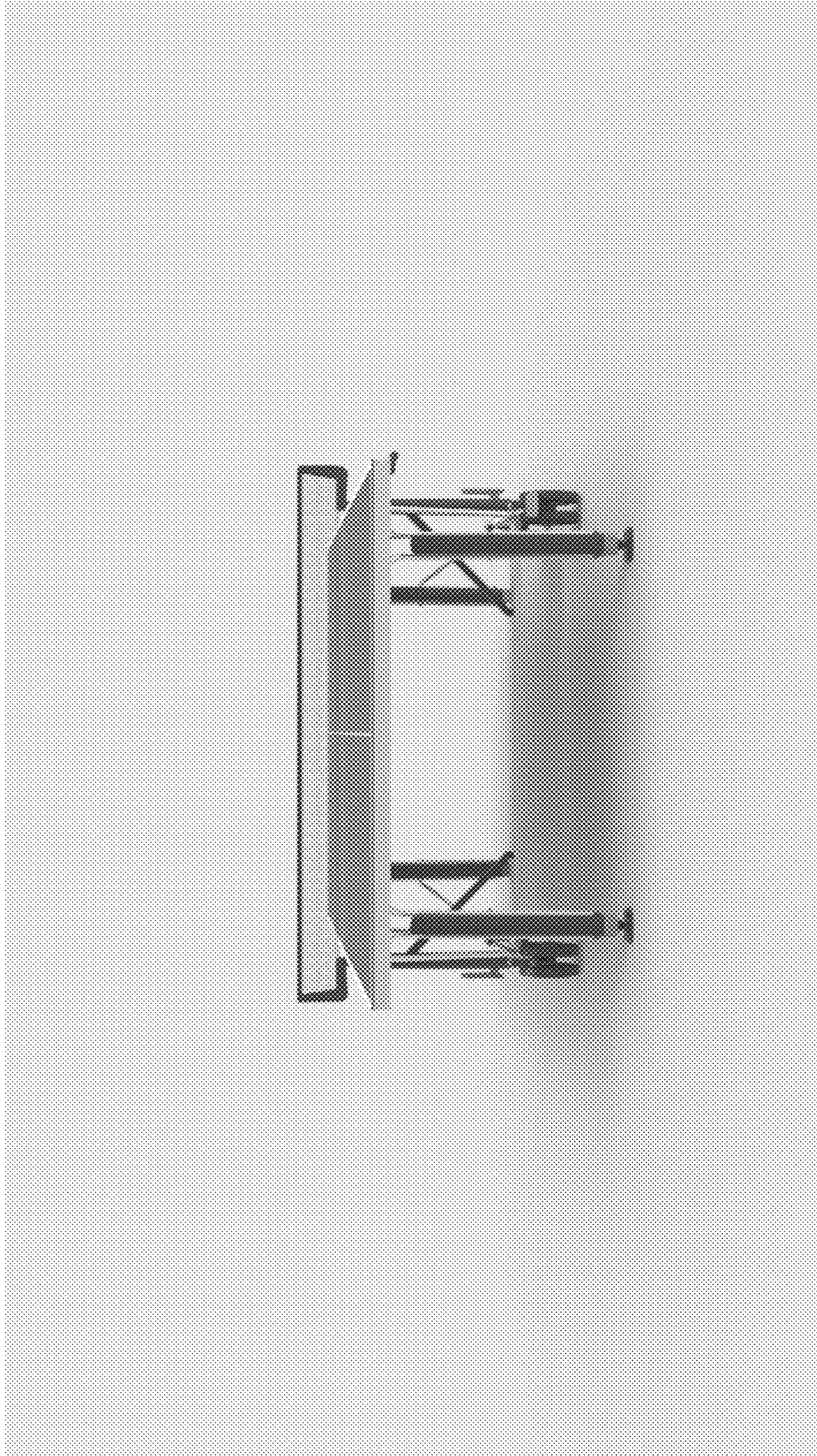
D499,161 S \* 11/2004 Dadbeh ..... D21/799.2  
6,916,258 B2 \* 7/2005 Dadbeh ..... A63B 67/04  
473/496

**1 Claim, 10 Drawing Sheets**



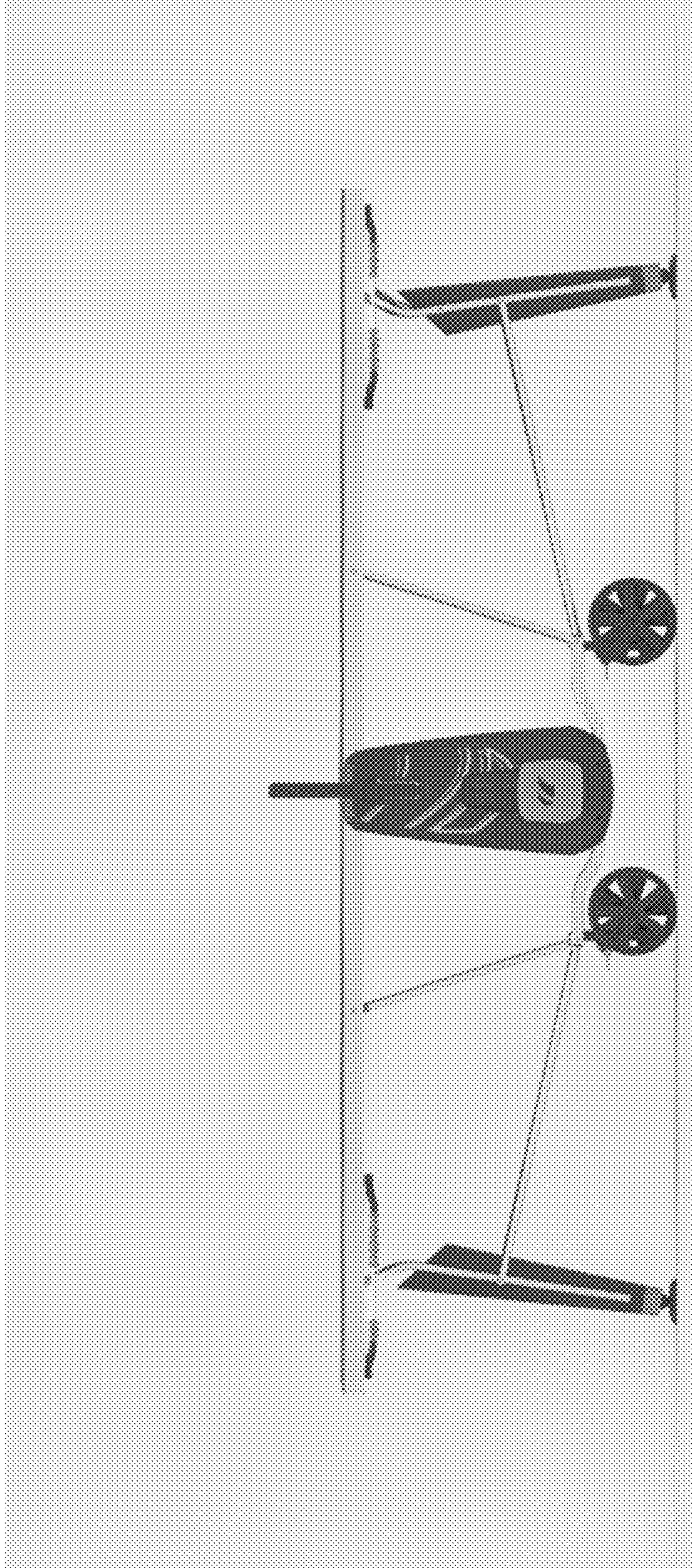


3.1



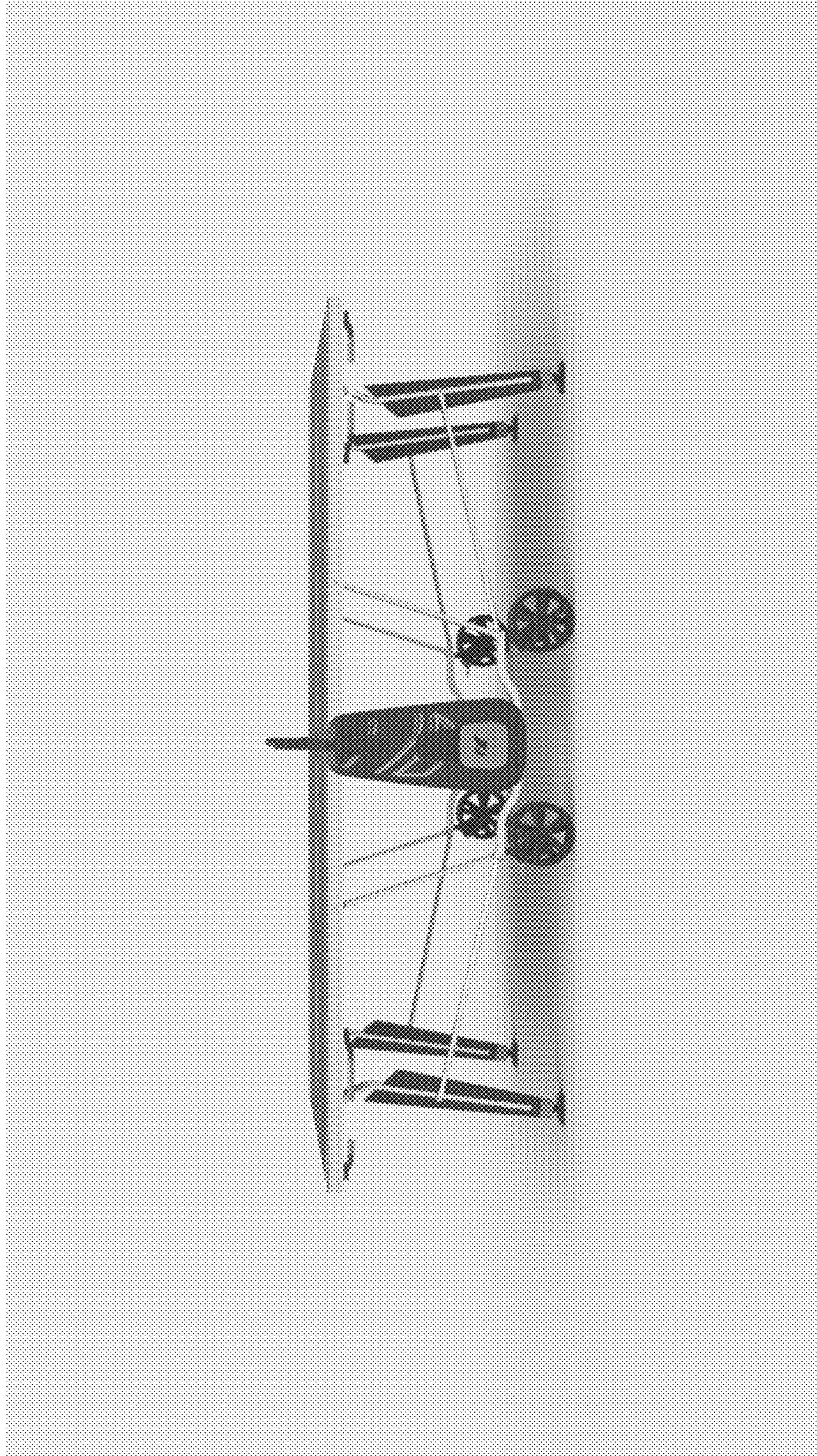


3.2



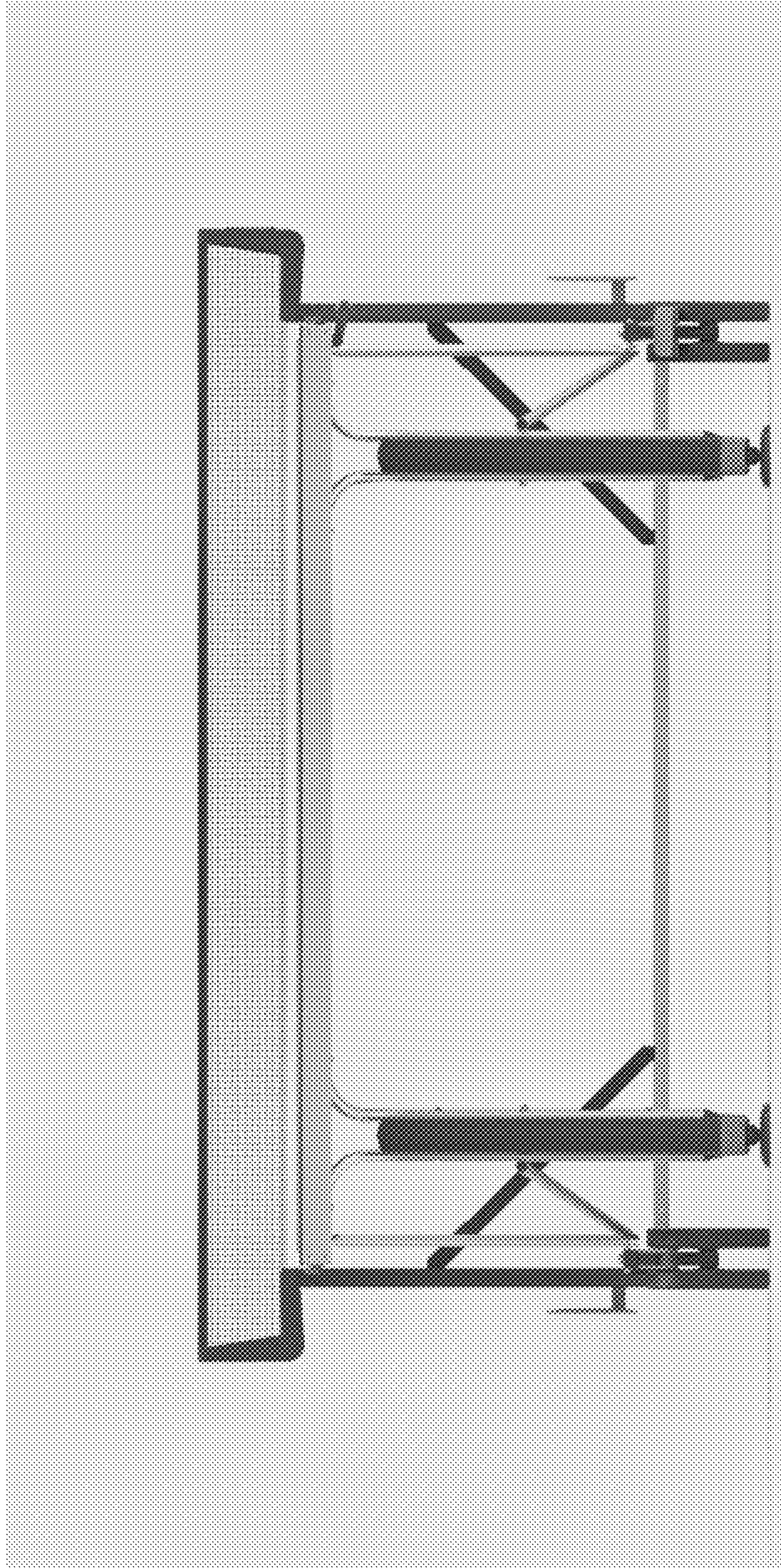


3.3



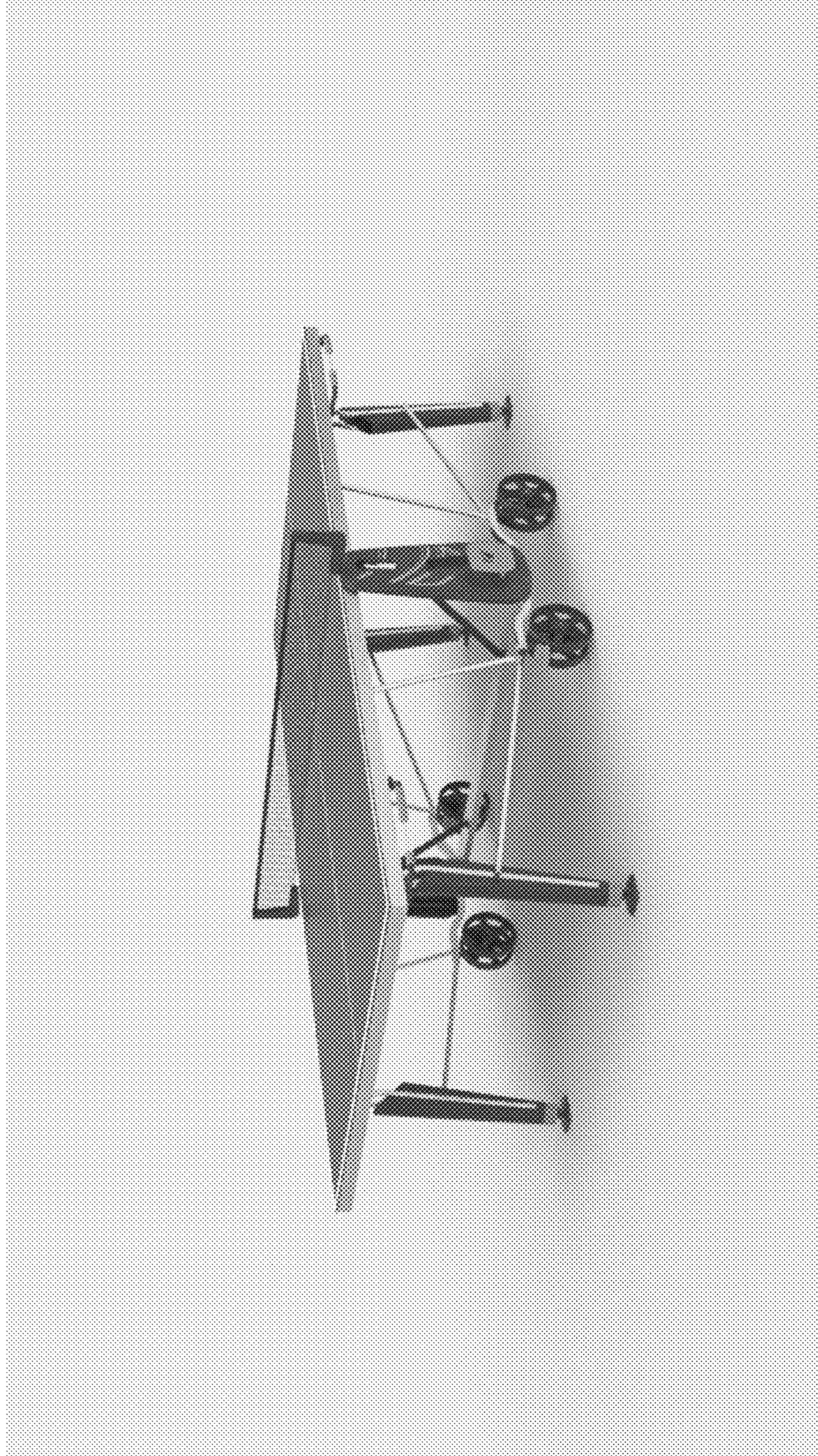


3.4



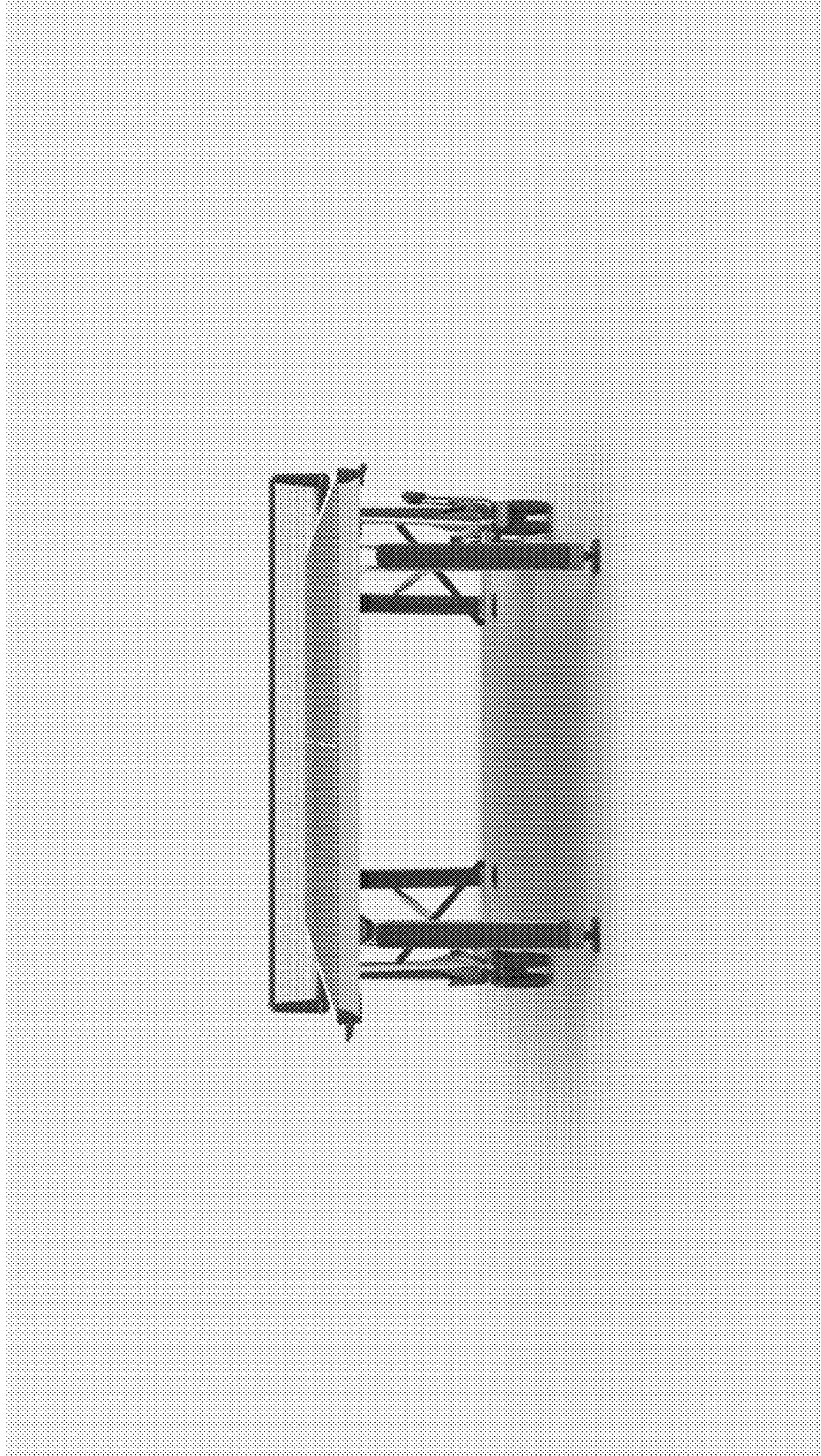


3.5



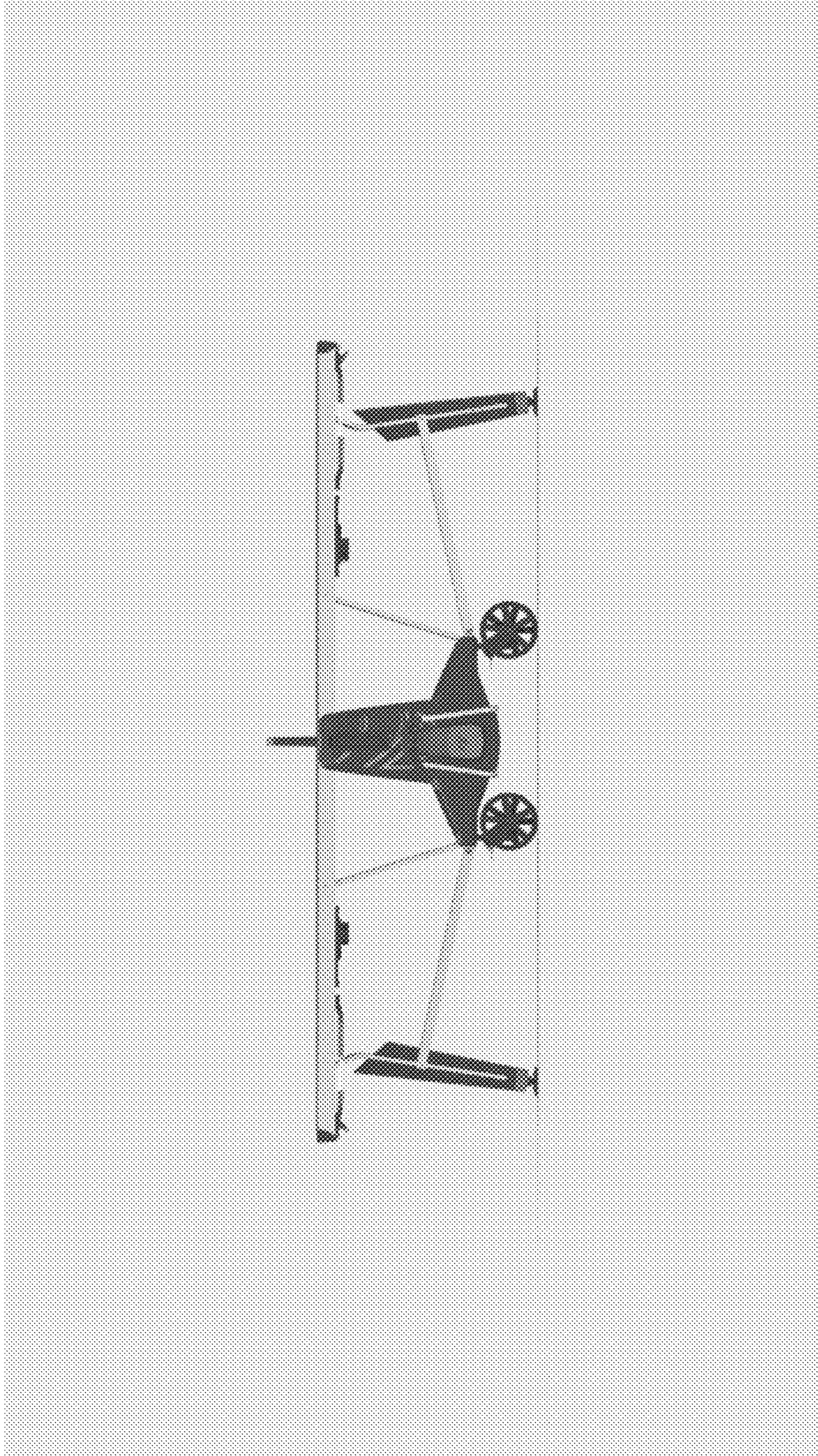


4.1



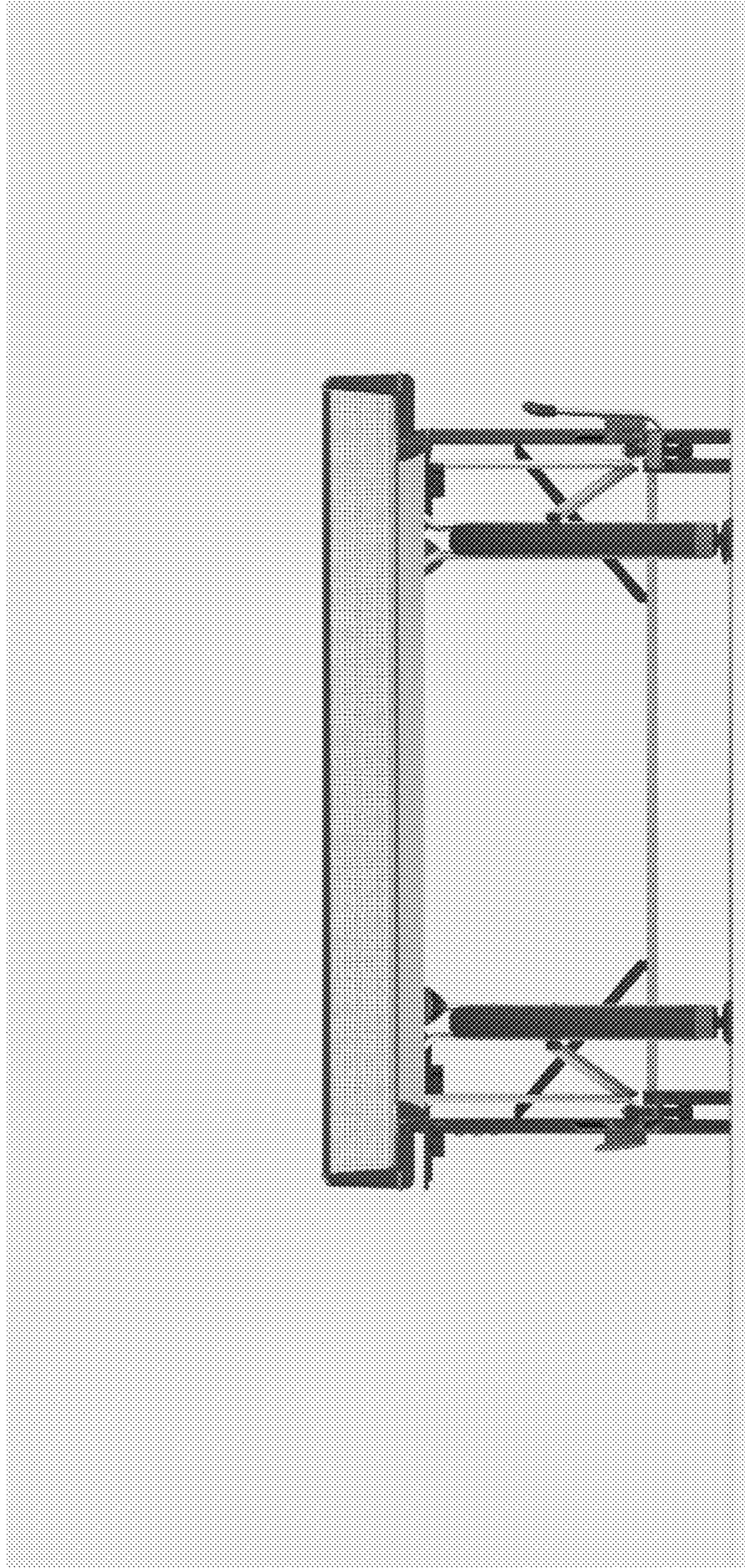


4.2



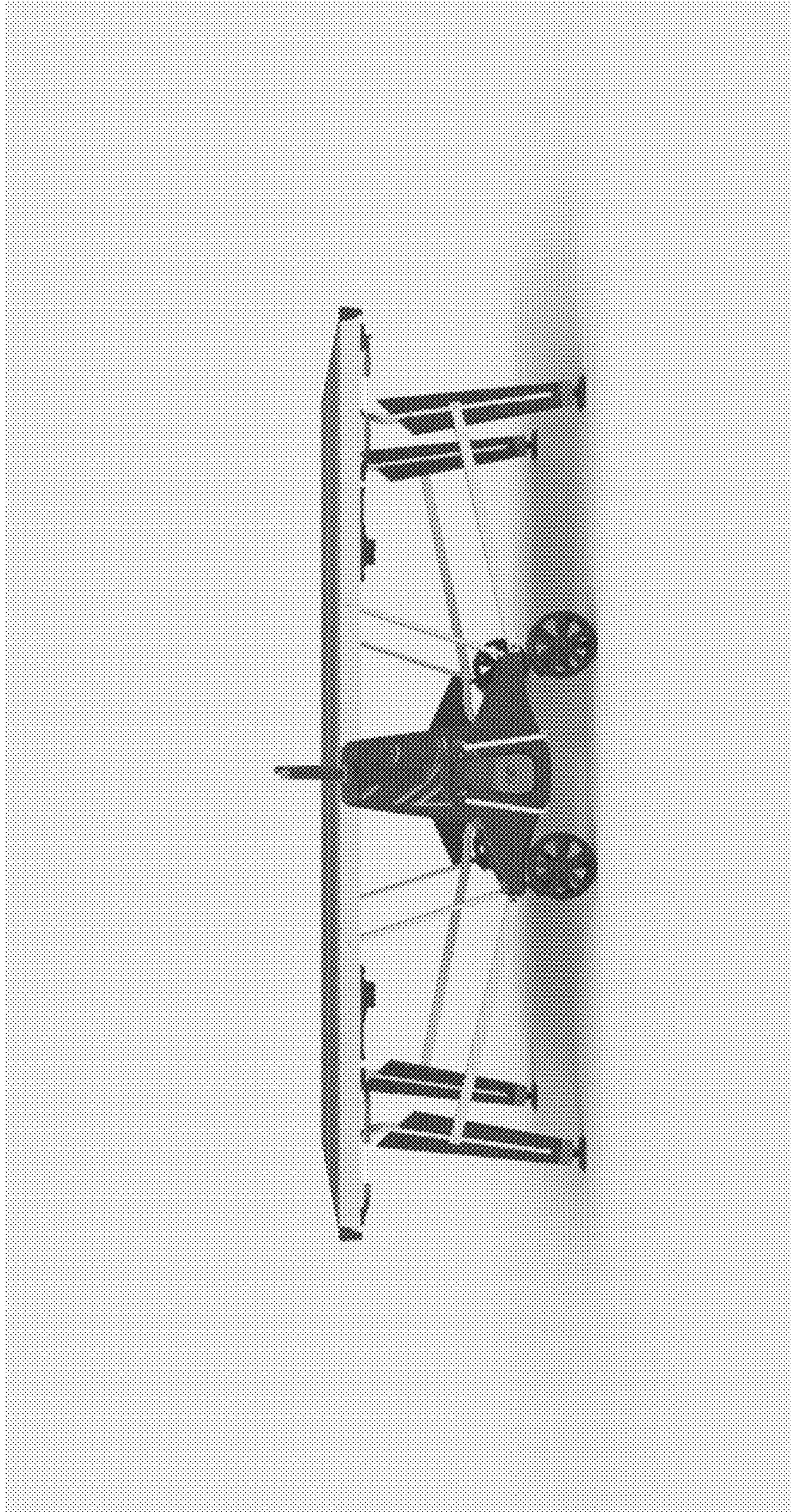


4.3





4.4





4.5

