



US00D958273S

(12) **United States Design Patent** (10) **Patent No.:** **US D958,273 S**
Houser (45) **Date of Patent:** **** Jul. 19, 2022**

(54) **BALL LAUNCHER** 6,076,829 A * 6/2000 Oblack A63B 60/12
473/509
(71) Applicant: **Fourstar Group Inc.**, Taipei (TW) D428,085 S 7/2000 Kirch
6,477,745 B2 * 11/2002 Strebl A63B 60/12
24/336
(72) Inventor: **Shawn David Houser**, Bradenton, FL
(US) D480,280 S 10/2003 Schulein
D484,938 S * 1/2004 Tu D21/789
D525,326 S 7/2006 Green
D554,717 S * 11/2007 McKinnell D21/722
(73) Assignee: **FOURSTAR GROUP INC.**, Taipei
(TW)
(Continued)

(**) Term: **15 Years**

FOREIGN PATENT DOCUMENTS

(21) Appl. No.: **29/750,895**

GB 4036792 * 2/2021

(22) Filed: **Sep. 17, 2020**

OTHER PUBLICATIONS

(51) **LOC (13) Cl.** **21-02**

Hyper Pet Dog Launcher; Amazon.com; Jan. 2014.*

(52) **U.S. Cl.**
USPC **D21/722**

(Continued)

(58) **Field of Classification Search**
USPC D21/722, 724, 756-758; D30/160
CPC A63B 59/30; A63B 59/20; A63B 60/00;
A63B 65/00-127; A63B 67/086; A63B
67/16; A63B 67/165

Primary Examiner — Mitchell I. Siegel
(74) *Attorney, Agent, or Firm* — Salter & Michaelson

See application file for complete search history.

(57) **CLAIM**

The ornamental design for a ball launcher, as shown and described.

(56) **References Cited**

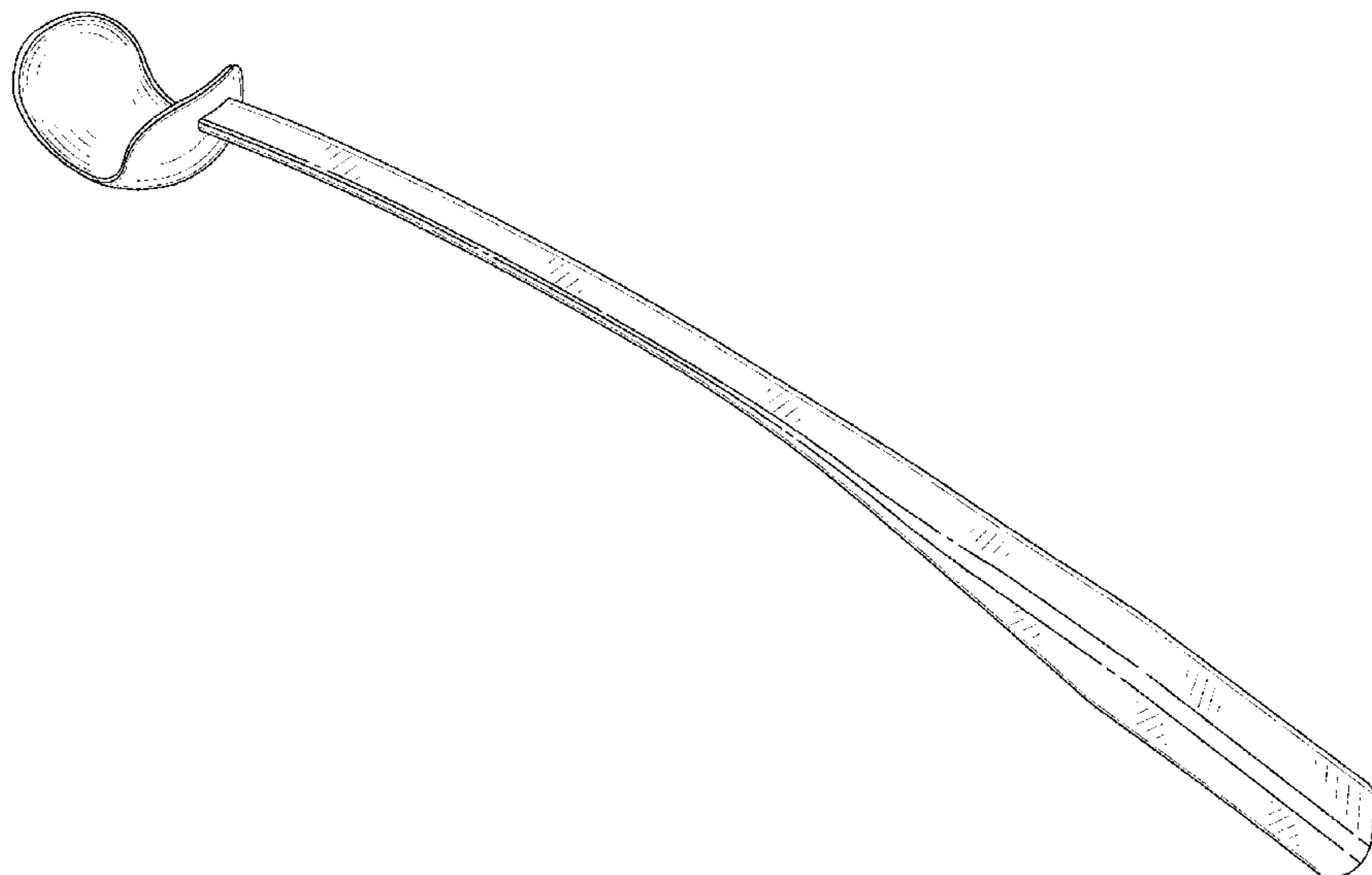
DESCRIPTION

U.S. PATENT DOCUMENTS

D183,084 S 6/1958 Carlson
3,428,036 A * 2/1969 Parker A63B 59/20
73/862.541
3,589,349 A * 6/1971 Parker A63B 60/08
124/5
D269,536 S 6/1983 Amos
D269,794 S 7/1983 Amos
D269,795 S 7/1983 Amos
D269,891 S 7/1983 Amos
D269,892 S 7/1983 Amos
D269,893 S 7/1983 Amos
5,290,039 A 3/1994 Cornelio
D352,641 S 11/1994 Coquereau et al.
D405,660 S 2/1999 Hansen et al.
D424,640 S * 5/2000 Oblack D21/722
D425,593 S 5/2000 Kirch

FIG. 1 is a perspective view of a ball launcher;
FIG. 2 is a left side elevational view thereof;
FIG. 3 is a right side elevational view thereof;
FIG. 4 is a top plan view thereof;
FIG. 5 is a bottom plan view thereof;
FIG. 6 is a front elevational view thereof;
FIG. 7 is a rear elevational view thereof; and,
FIG. 8 is a perspective view thereof showing the ball
launcher in use.
The broken lines shown in the drawing views are included
for the purpose of showing environmental structure that
forms no part of the claimed design.

1 Claim, 7 Drawing Sheets



(56)

References Cited

U.S. PATENT DOCUMENTS

7,686,001 B2 * 3/2010 Fitt A63B 59/20
 124/5
 D630,277 S * 1/2011 McKinnell D21/722
 D637,248 S * 5/2011 Levin D21/722
 D640,338 S * 6/2011 Oblack D21/722
 D655,359 S * 3/2012 Thorogood D21/722
 D666,686 S * 9/2012 Burger D21/722
 D674,851 S * 1/2013 Osborne D21/722
 8,418,681 B2 4/2013 Levin et al.
 8,517,003 B2 8/2013 Fisher
 8,857,419 B2 10/2014 Hansen
 8,984,736 B2 * 3/2015 Radocy A61F 2/588
 269/71
 D759,907 S * 6/2016 Weinstein D30/160
 9,630,076 B2 * 4/2017 Evans A63B 67/183
 D796,594 S 9/2017 Wills et al.
 D796,595 S 9/2017 Wills et al.
 D839,976 S * 2/2019 Legoski D21/722
 D863,476 S * 10/2019 Haarburger D21/722
 D889,057 S * 6/2020 Steinkraus D30/160
 D898,139 S * 10/2020 Stearman D21/722
 D907,727 S * 1/2021 Tamulewicz D21/722
 11,198,047 B2 * 12/2021 Tamulewicz A63B 65/122

OTHER PUBLICATIONS

Pawise Dog Ball Launcher; Amazon.com; Jun. 2020.*
 Nerf Dog Thrower; Amazon.com; Sep. 2020.*
 ChuckIt! Sport Ball Launcher; Amazon.com; Dec. 2003.*
 Google.com; Ball Thrower; Feb. 15, 2022.*

* cited by examiner

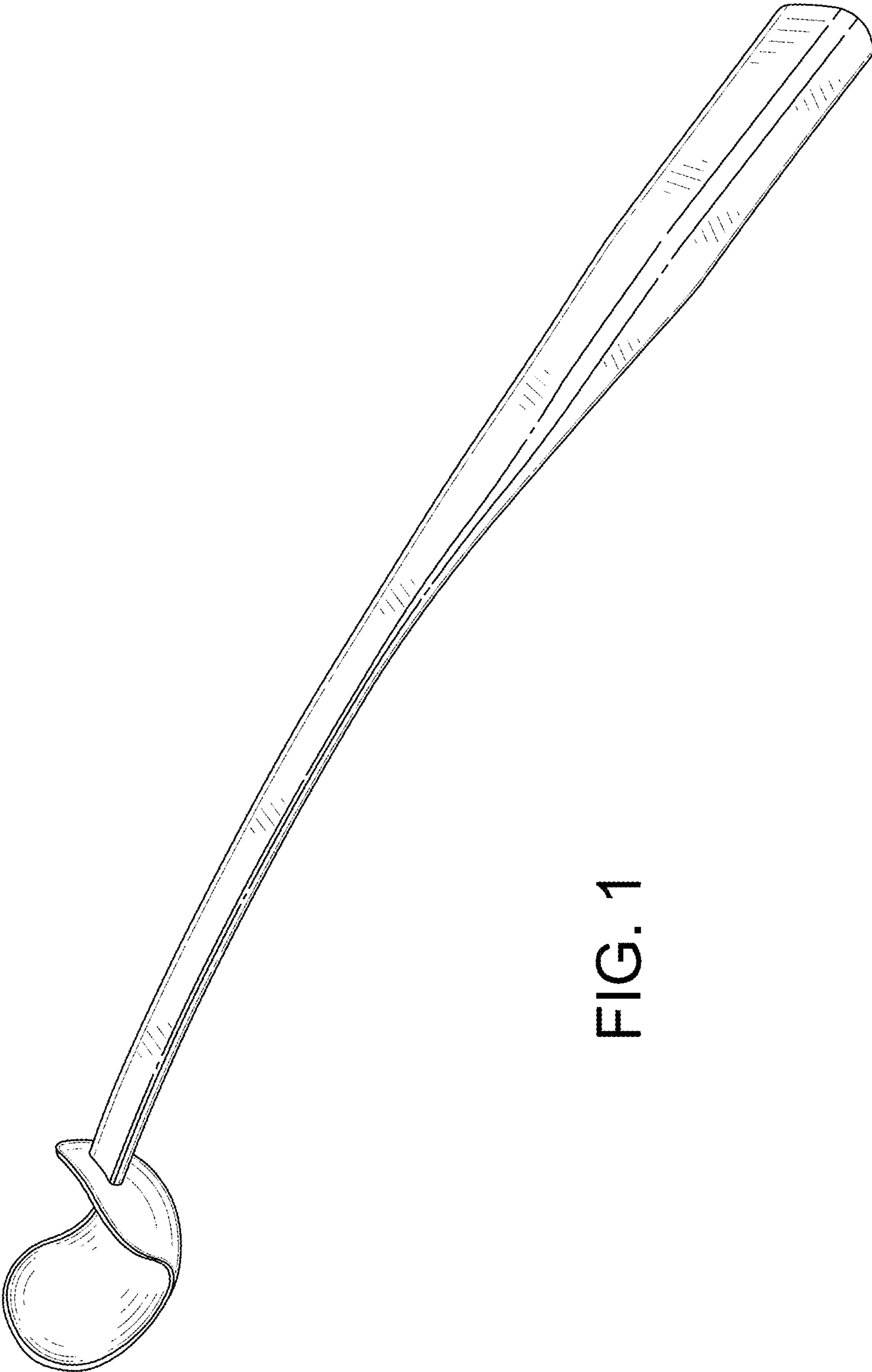


FIG. 1

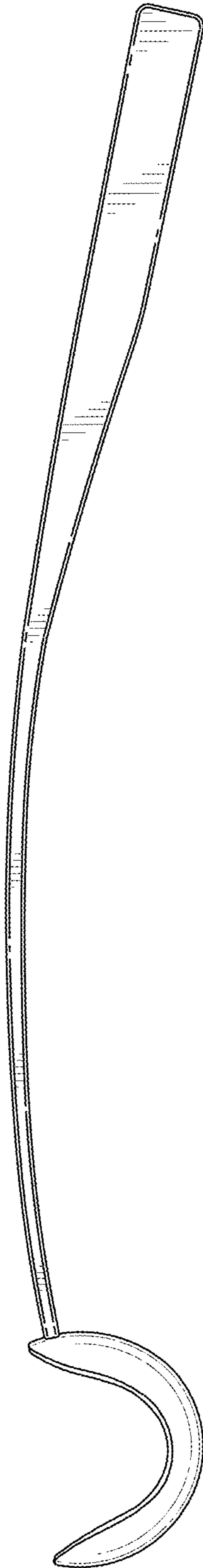


FIG. 2

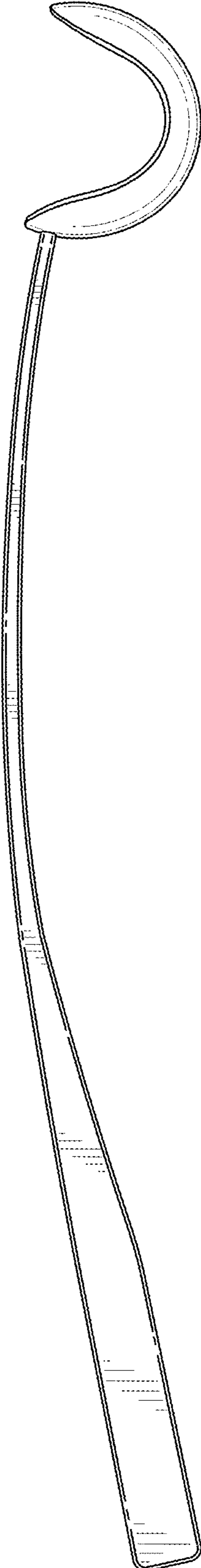


FIG. 3

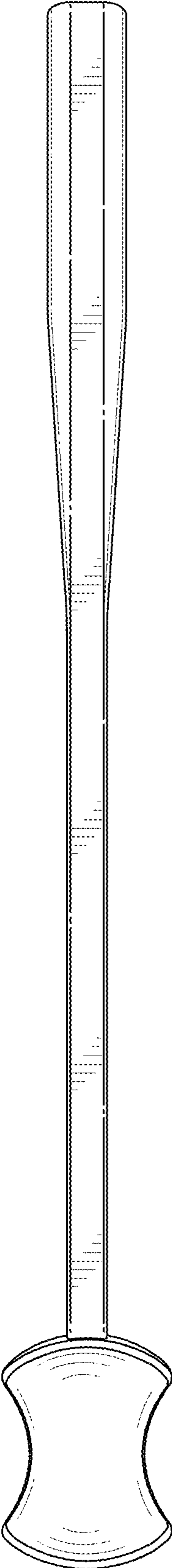


FIG. 4

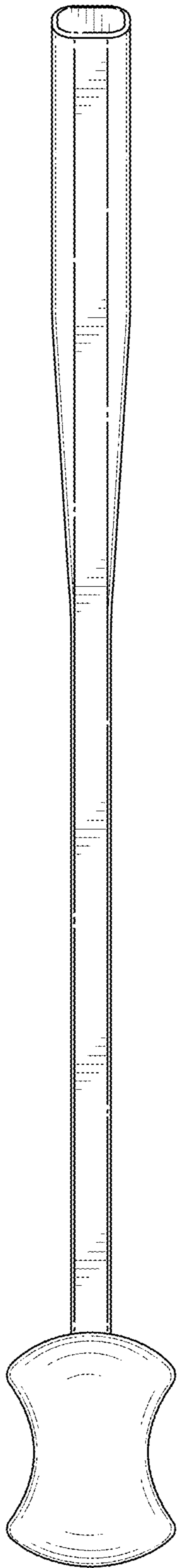


FIG. 5

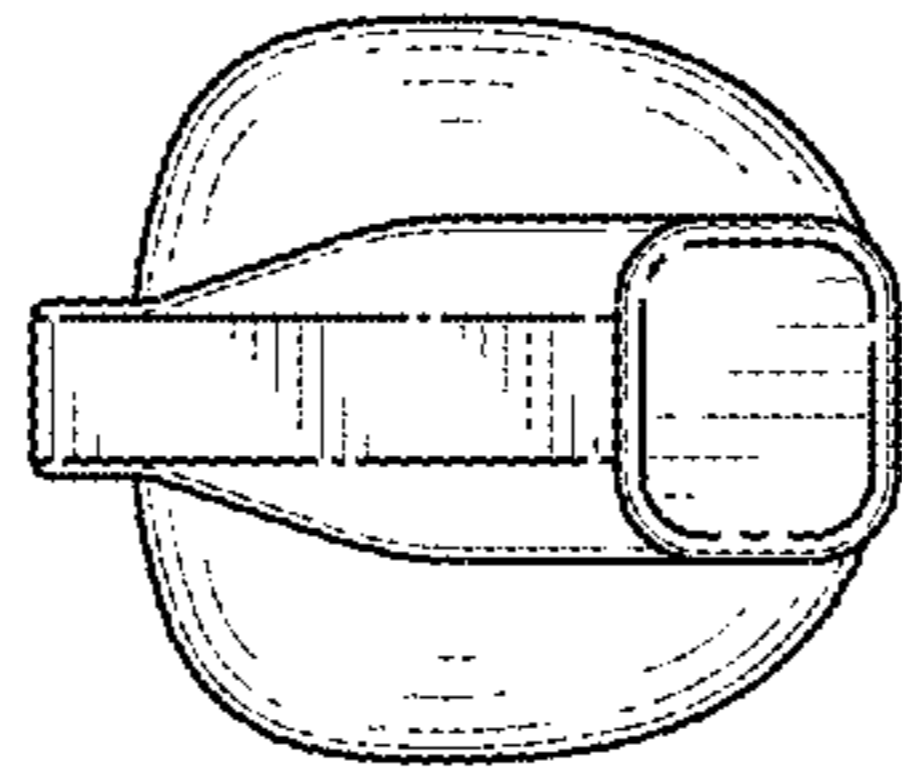


FIG. 7

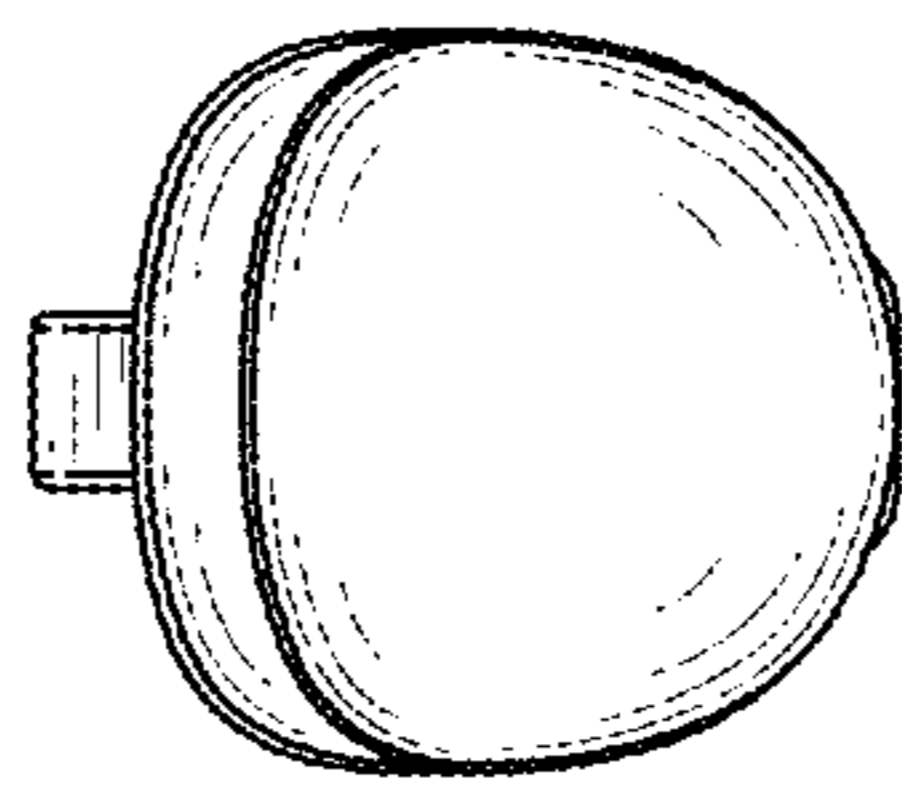


FIG. 6

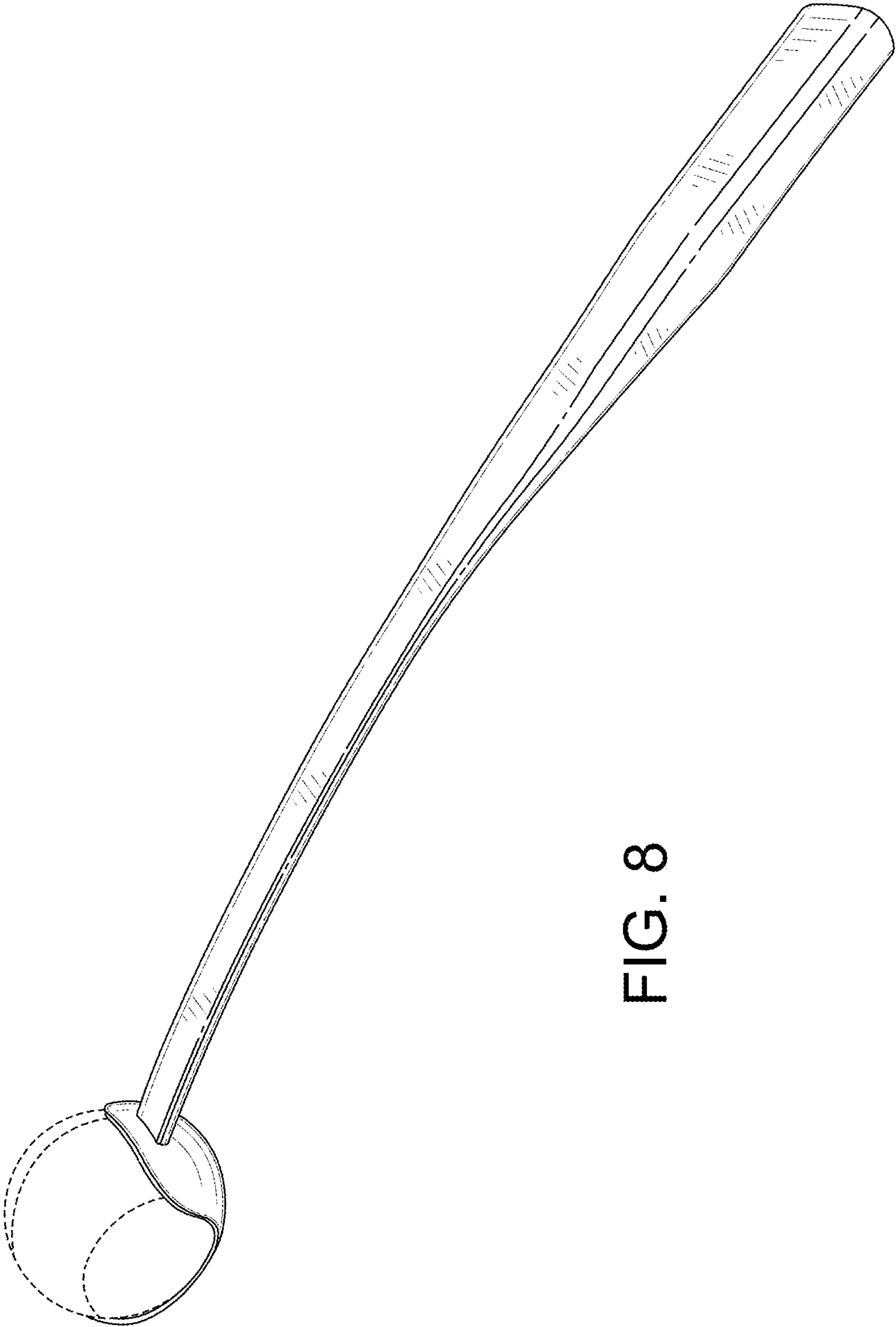


FIG. 8