



US00D958272S

(12) **United States Design Patent**
Leclair

(10) **Patent No.:** **US D958,272 S**
(45) **Date of Patent:** **** Jul. 19, 2022**

(54) **GRIP DIAMETER ADAPTER KIT**
(71) Applicant: **Produits de performance RELL Inc.,**
Repentigny (CA)

D688,338 S * 8/2013 Bisson A63B 21/0724
D21/694
D721,773 S * 1/2015 Marooth A46B 9/026
D21/694
D739,484 S * 9/2015 Kaye A63B 21/0724
D21/694

(72) Inventor: **Eric Leclair, St-Bruno (CA)**

(Continued)

(73) Assignee: **Produits de performance RELL Inc,**
Repentigny (CA)

Primary Examiner — Joseph Kukella

(**) Term: **15 Years**

(57) **CLAIM**

The ornamental design for a grip diameter adapter kit, as shown and described.

(21) Appl. No.: **35/511,456**

(22) Filed: **Dec. 21, 2020**

DESCRIPTION

(80) **Hague Agreement Data**

Int. Filing Date: **Dec. 21, 2020**
Int. Reg. No.: **DM/212796**
Int. Reg. Date: **Dec. 21, 2020**
Int. Reg. Pub. Date: **Feb. 26, 2021**

1. Grip for strength training bars
- 1.1 : Reference perspective view of the state in use (assembled)
- 1.2 : Side view (right and left)
- 1.3 : Perspective view (assembled)
- 1.4 : First part front and back view
- 1.5 : First part bottom view
- 1.6 : First part right and left view
- 1.7 : First part perspective view
- 1.8 : First part top view
- 1.9 : Second part front and back view
- 1.10 : Second part bottom view
- 1.11 : Second part right and left view
- 1.12 : Second part perspective view
- 1.13 : Second part top view
- 1.14 : Third part front and back view
- 1.15 : Third part bottom view
- 1.16 : Third part right and left view
- 1.17 : Third part perspective view
- 1.18 : Third part top view

(51) **LOC (13) Cl.** **21-02**

(52) **U.S. Cl.**
USPC **D21/694**

(58) **Field of Classification Search**
USPC D8/382, 383; D21/680, 681, 694;
D23/262
CPC A63B 21/072; A63B 21/0722; A63B
21/0724; A63B 21/0726; A63B 21/0728;
A63B 21/075; F16B 2/00; F16B 2/02;
F16B 2/06; F16B 2/18; F16B 2/185
See application file for complete search history.

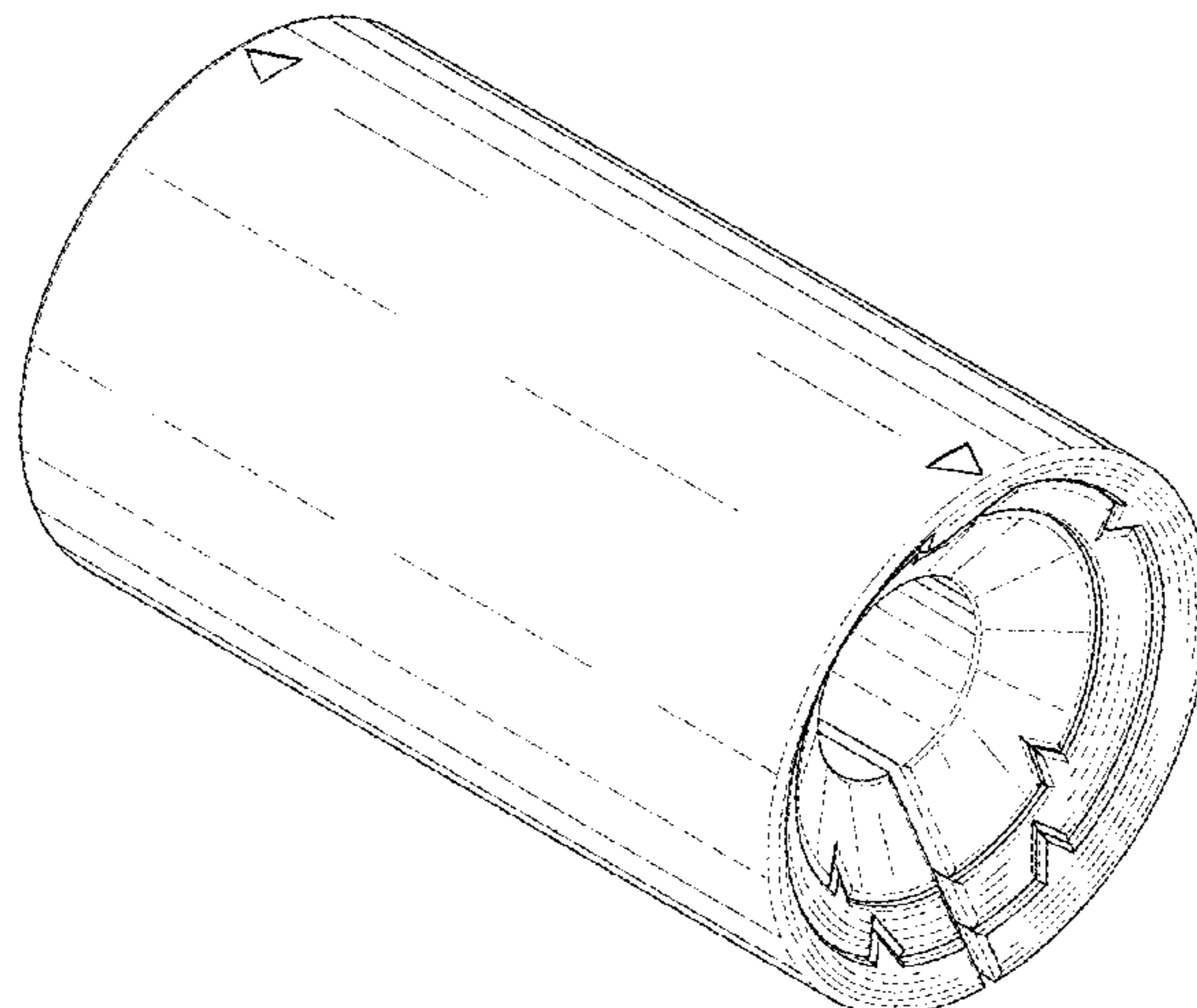
The present design is for a grip used to increase the diameter of bar portions of barbells or dumbbells. The individual parts of the grip have front/back and left/right symmetry such that the right and left views, as well as front and back views, are identical. The front, back, top, and bottom views of the grip shown in the assembled state of use are identical to the front, back, top, and bottom views of the third part. The broken

(56) **References Cited**

U.S. PATENT DOCUMENTS

7,494,451 B1 * 2/2009 Ramos A63B 21/0728
482/148
D616,950 S * 6/2010 Hersee A63B 21/0724
D8/303

(Continued)



lines in the drawings depict environmental subject matter that forms no part of the claimed design.

1 Claim, 18 Drawing Sheets

(56)

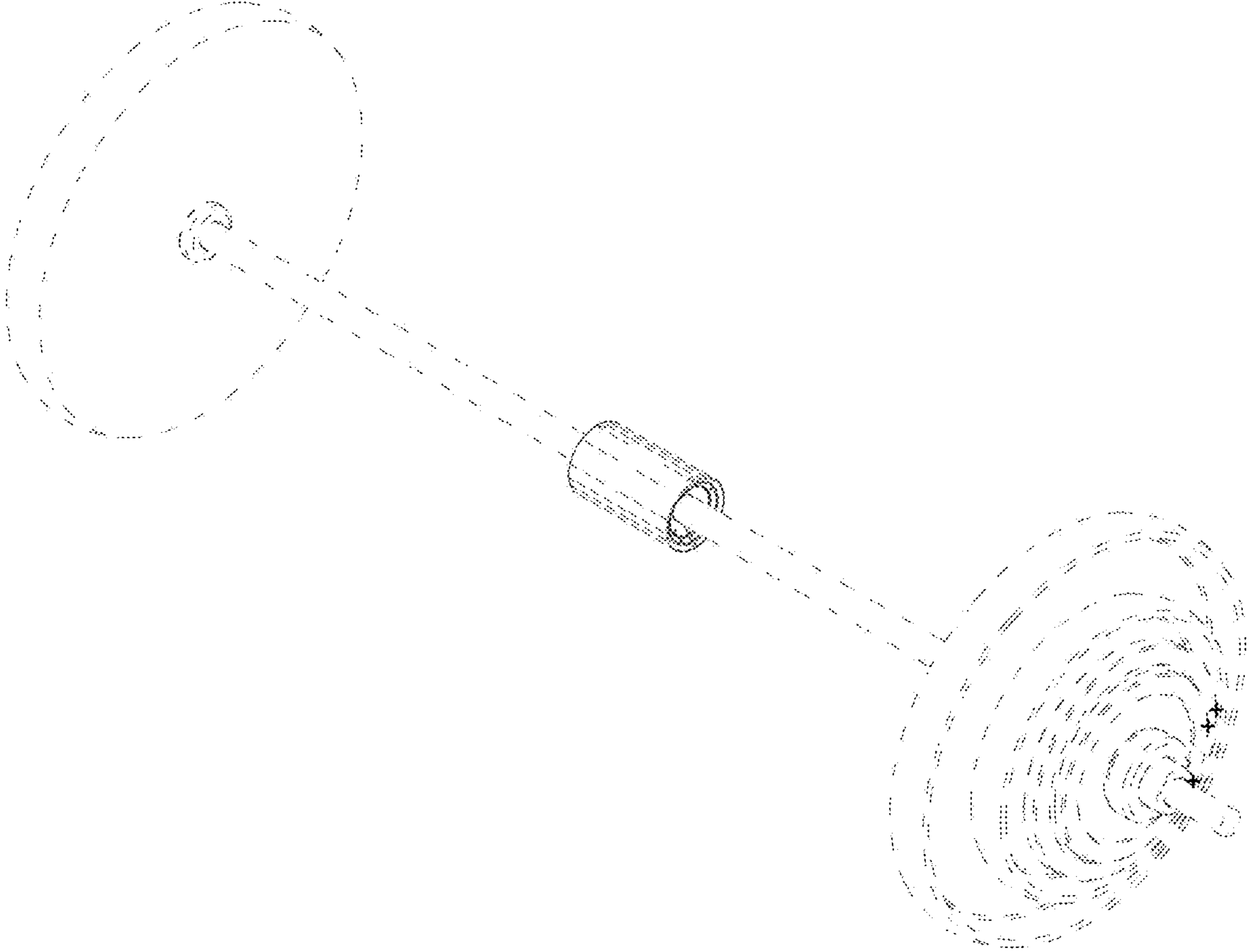
References Cited

U.S. PATENT DOCUMENTS

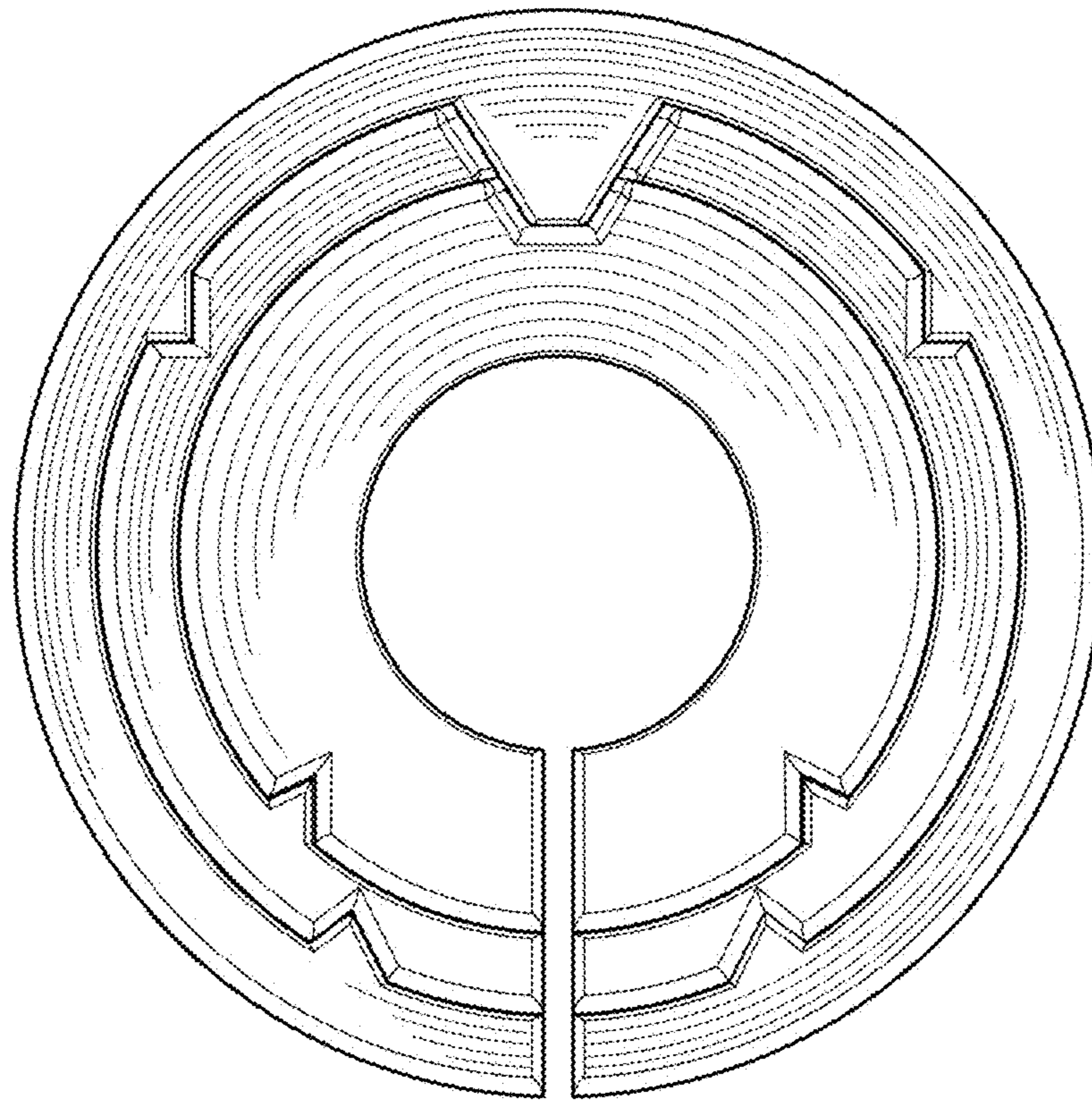
D778,378 S *	2/2017	Schultz	D21/694
10,806,987 B2 *	10/2020	Burns	A63B 21/0724
11,266,870 B2 *	3/2022	Leadbetter	A63B 21/0724
2019/0059568 A1 *	2/2019	Orlando	A46B 9/026
2020/0269083 A1 *	8/2020	Leadbetter	A63B 21/0724

* cited by examiner

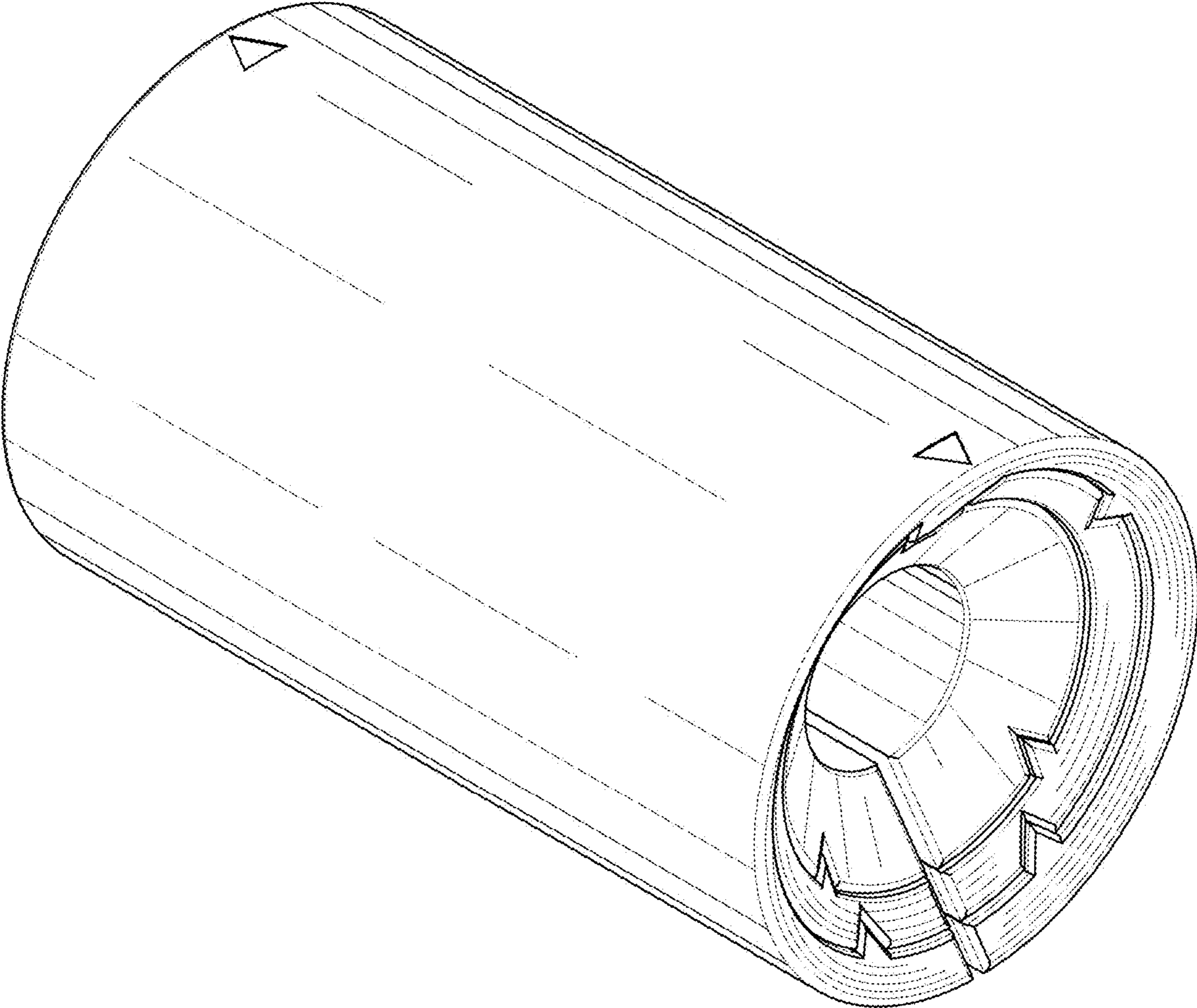
1.1



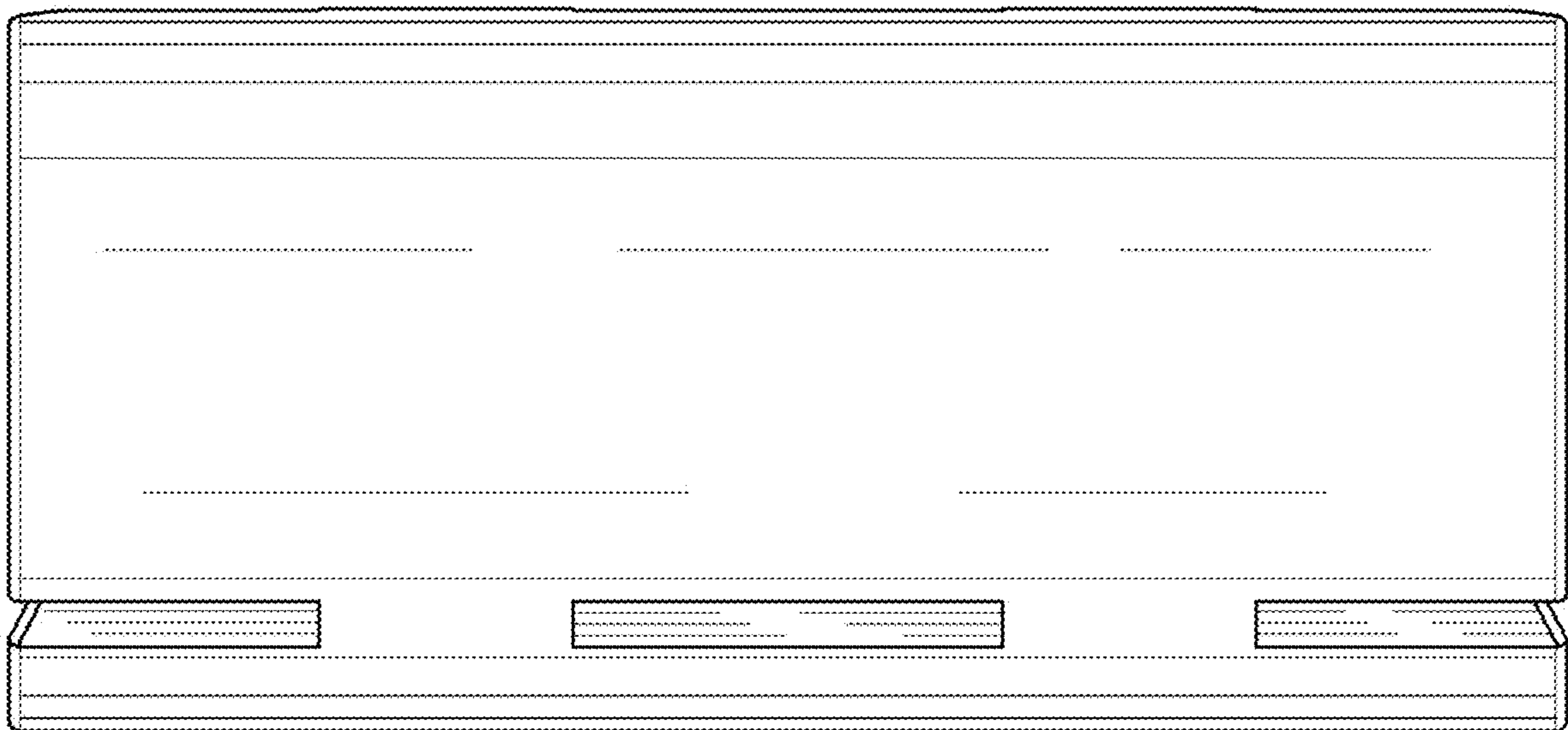
1.2



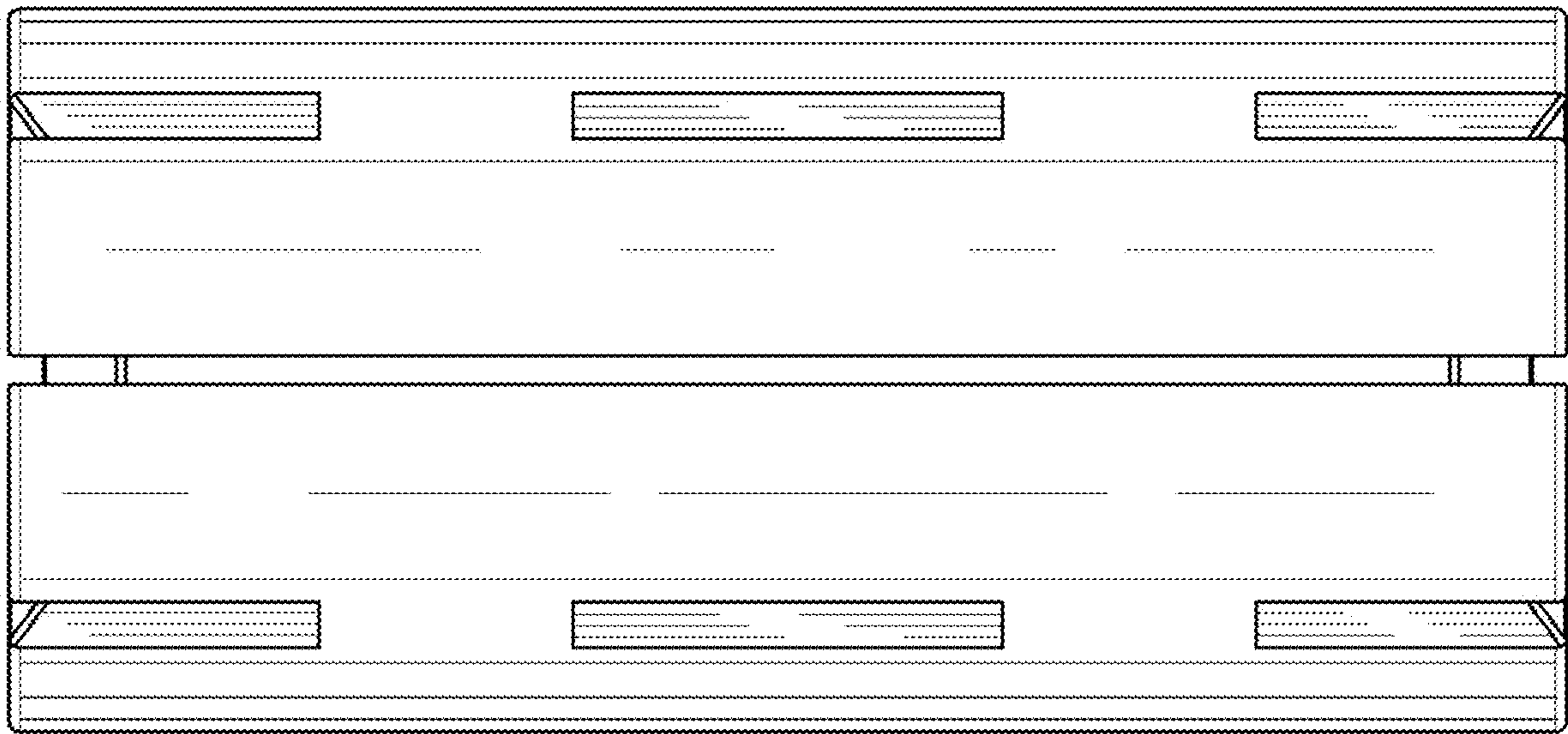
1.3



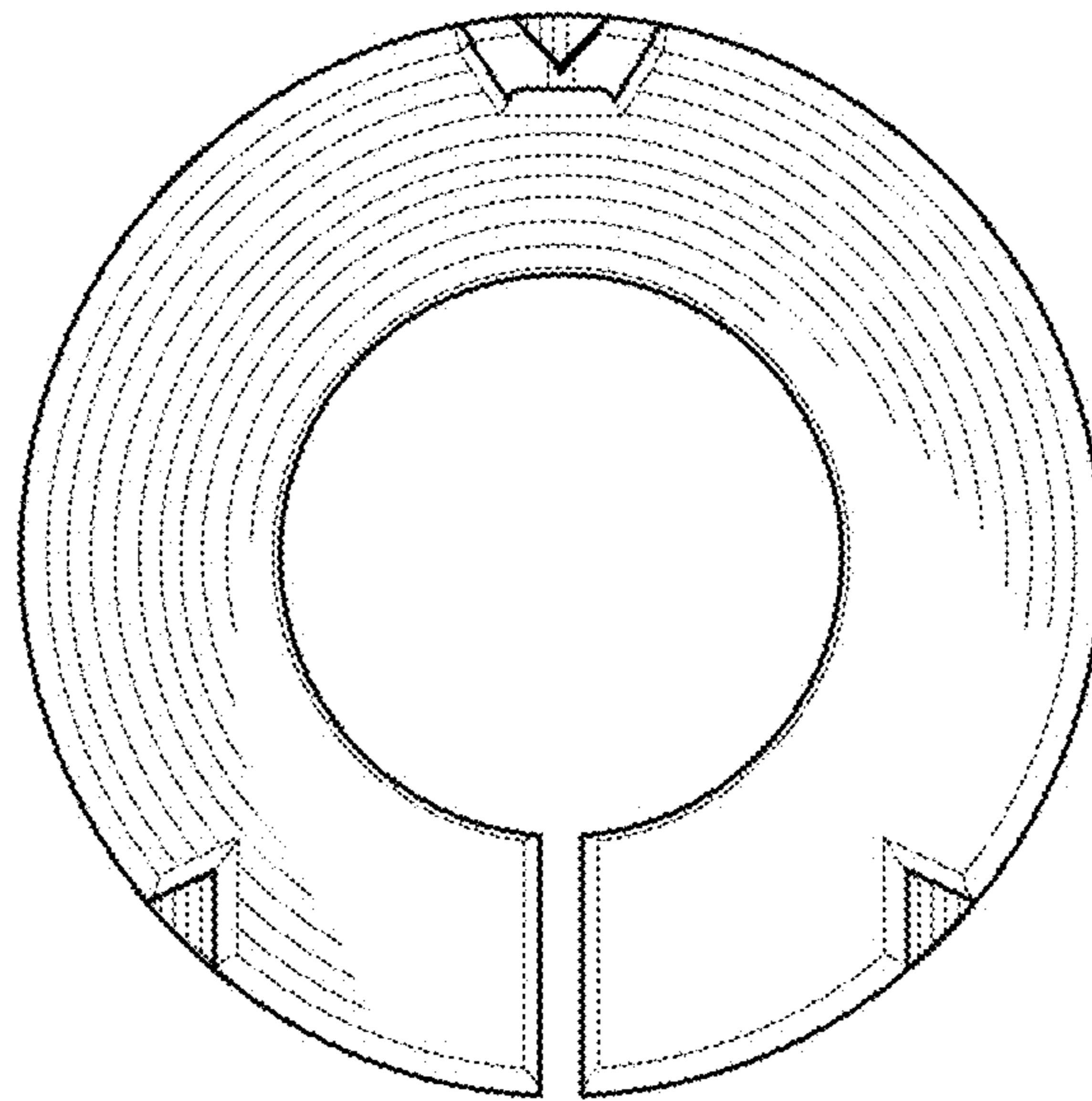
1.4



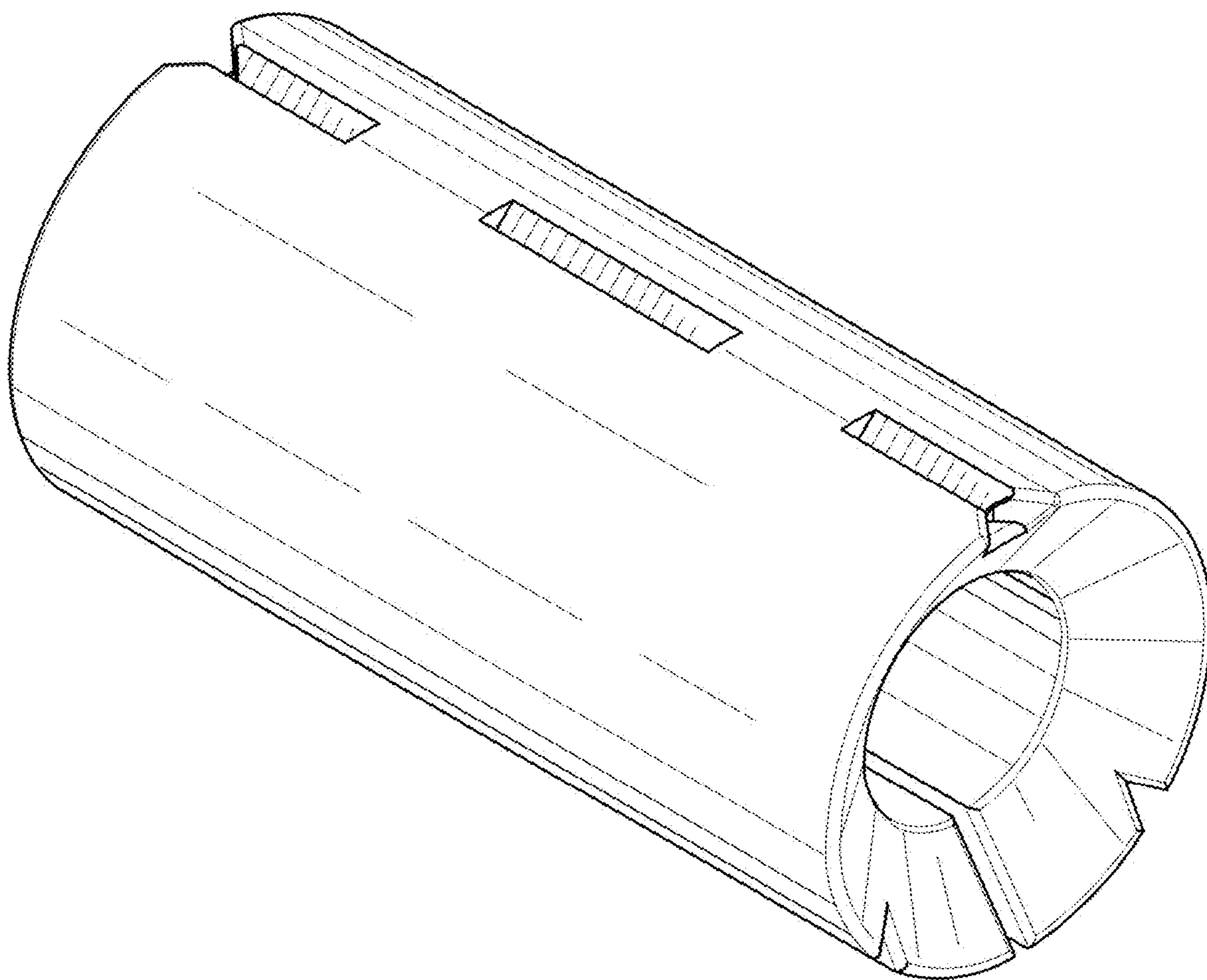
1.5



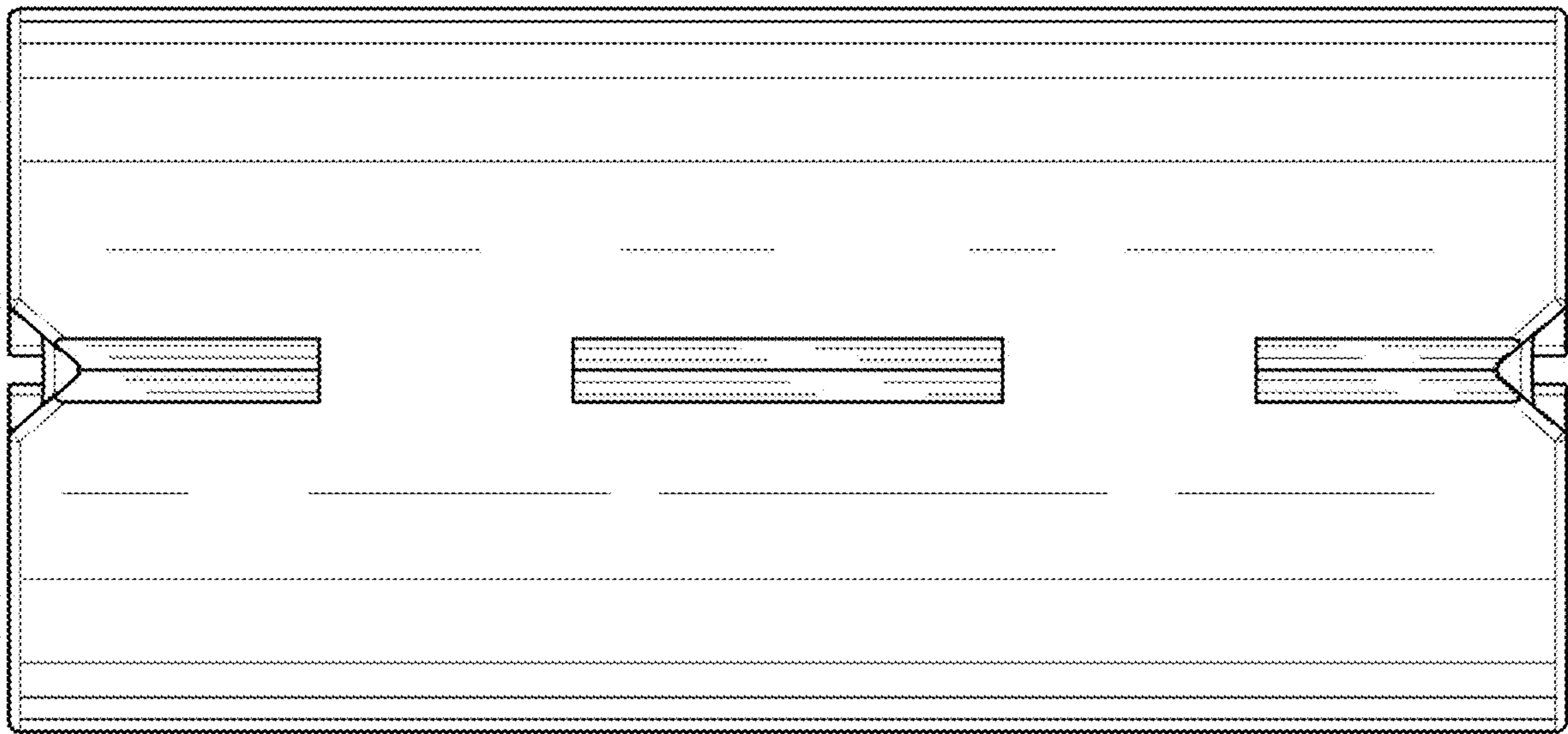
1.6



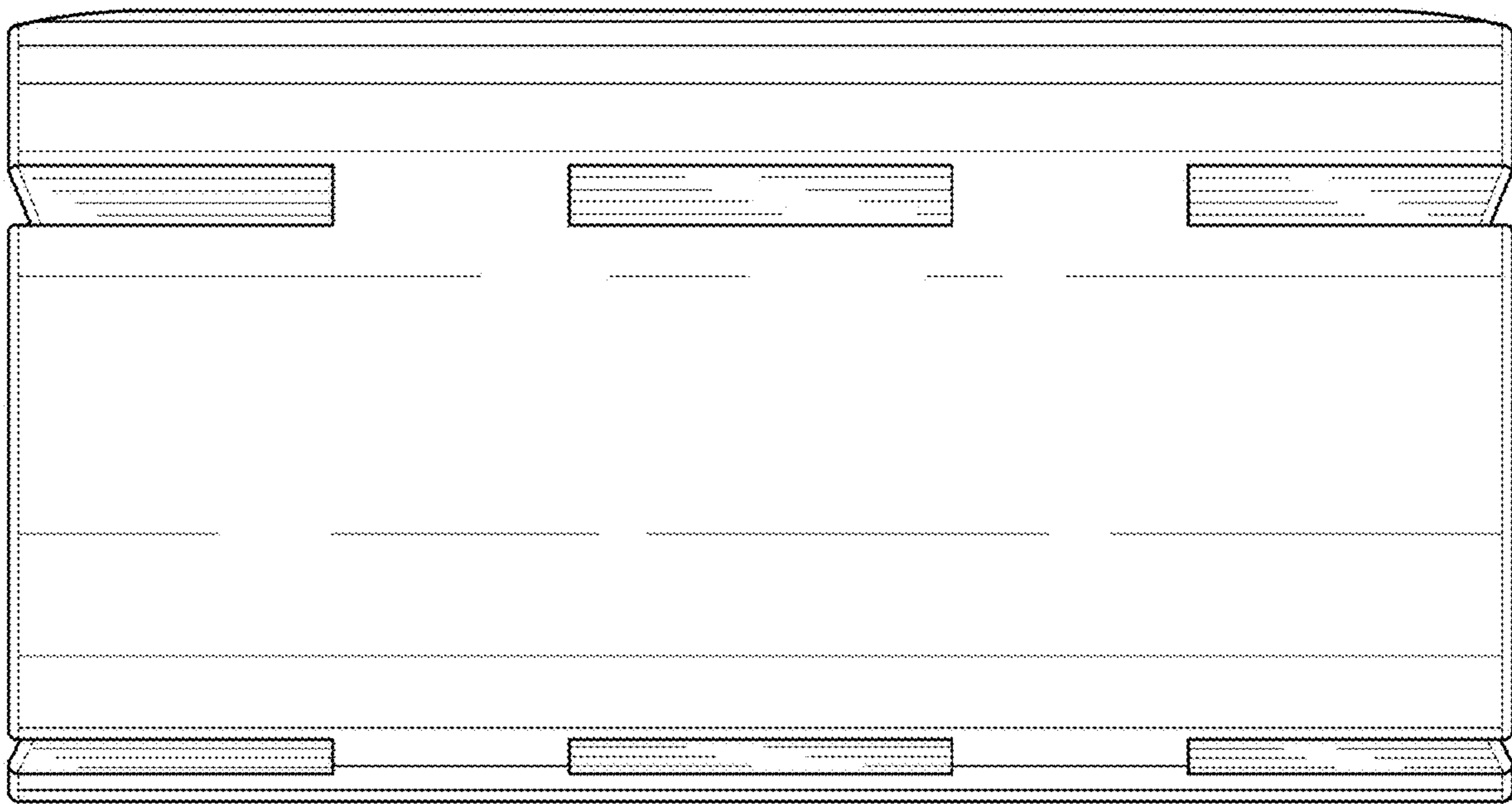
1.7



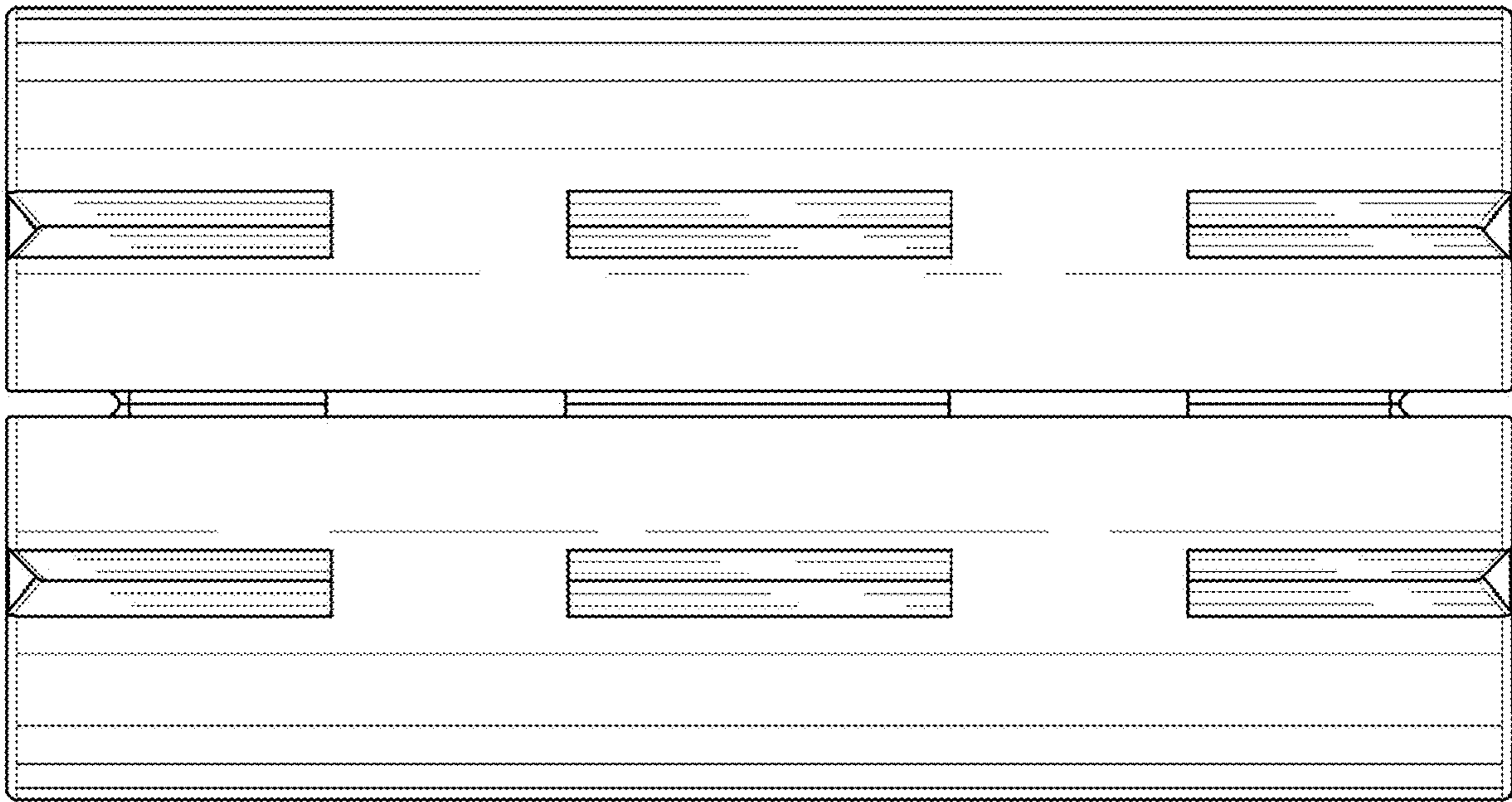
1.8



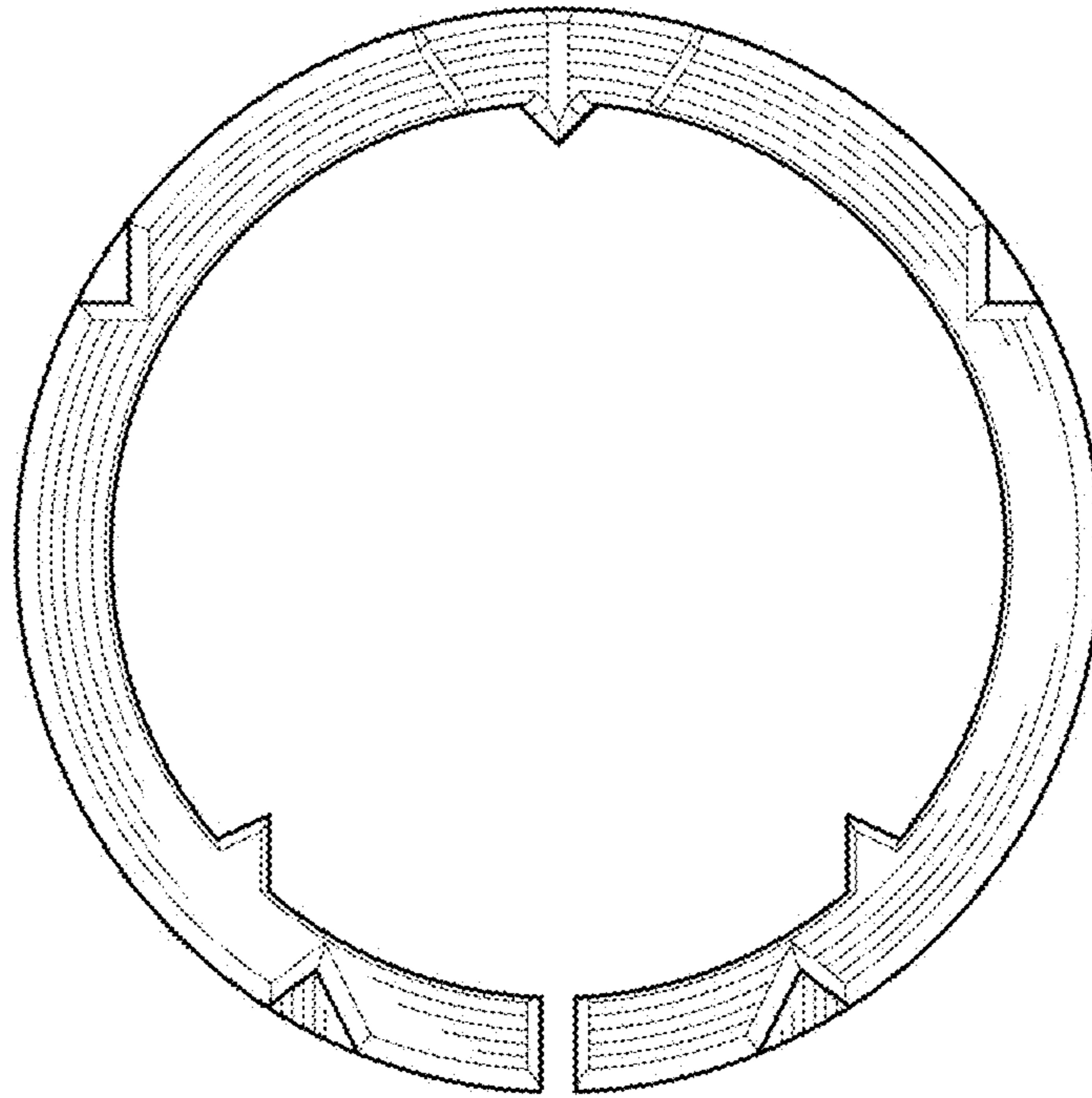
1.9



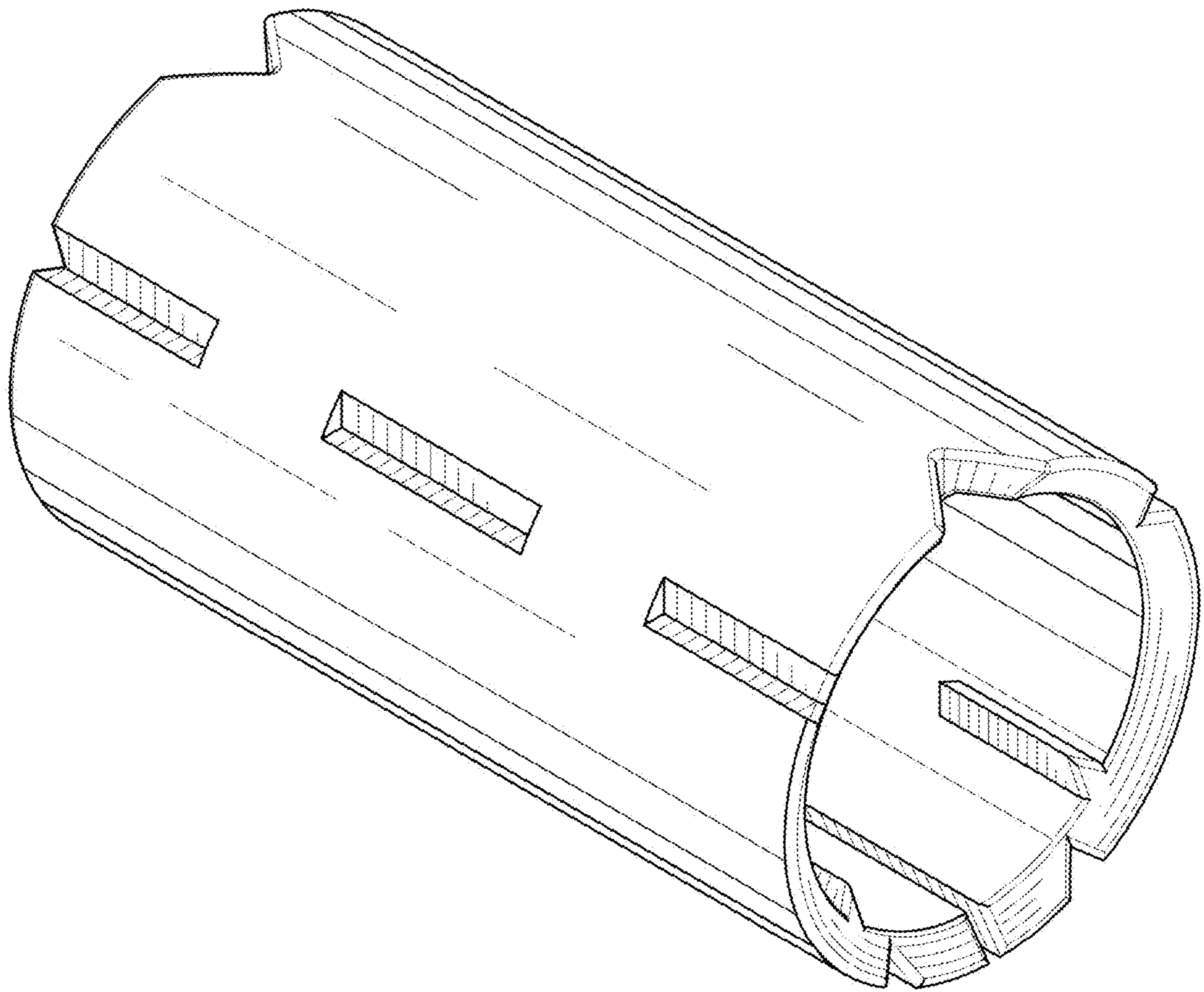
1.10



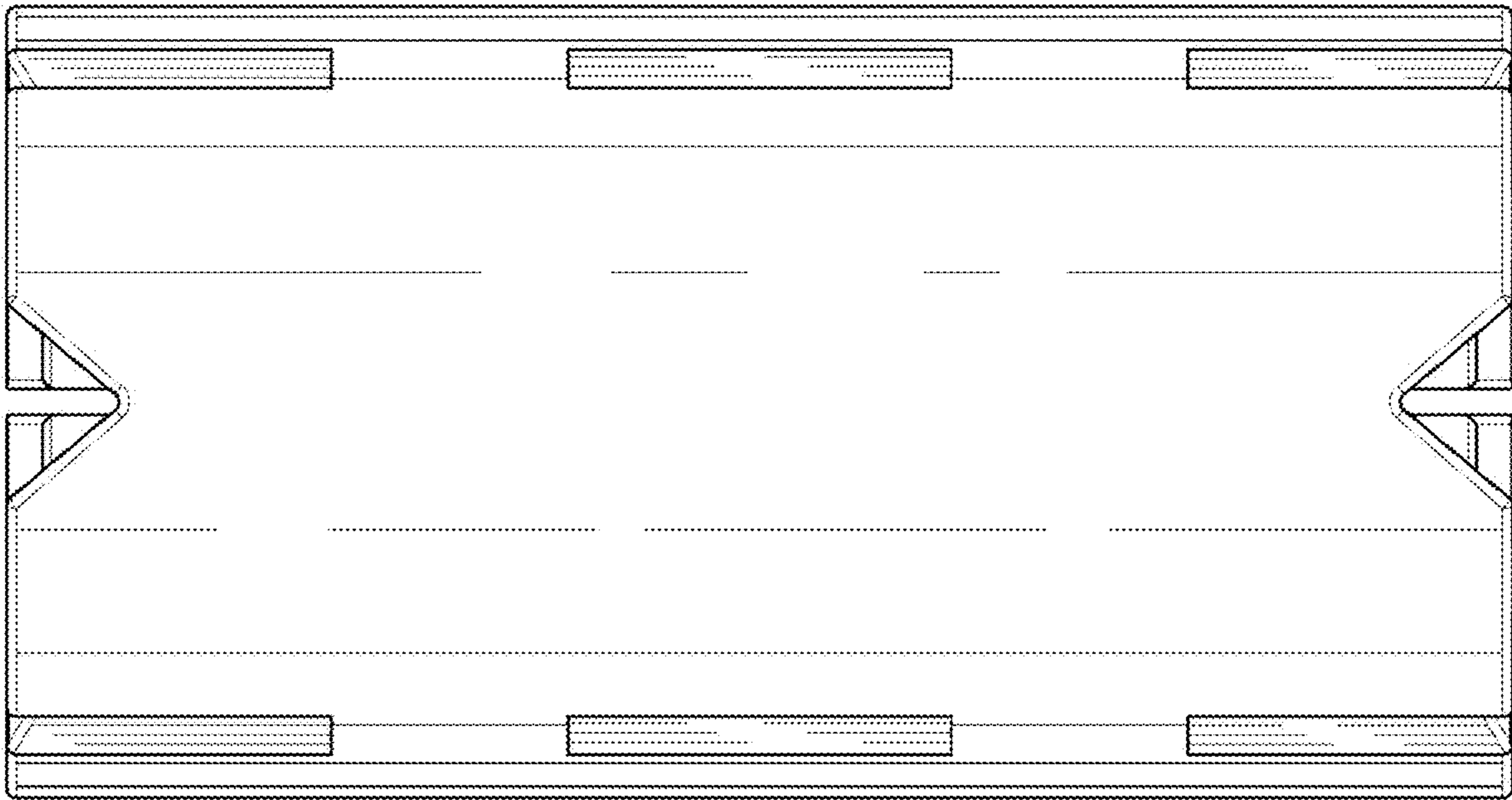
1.11



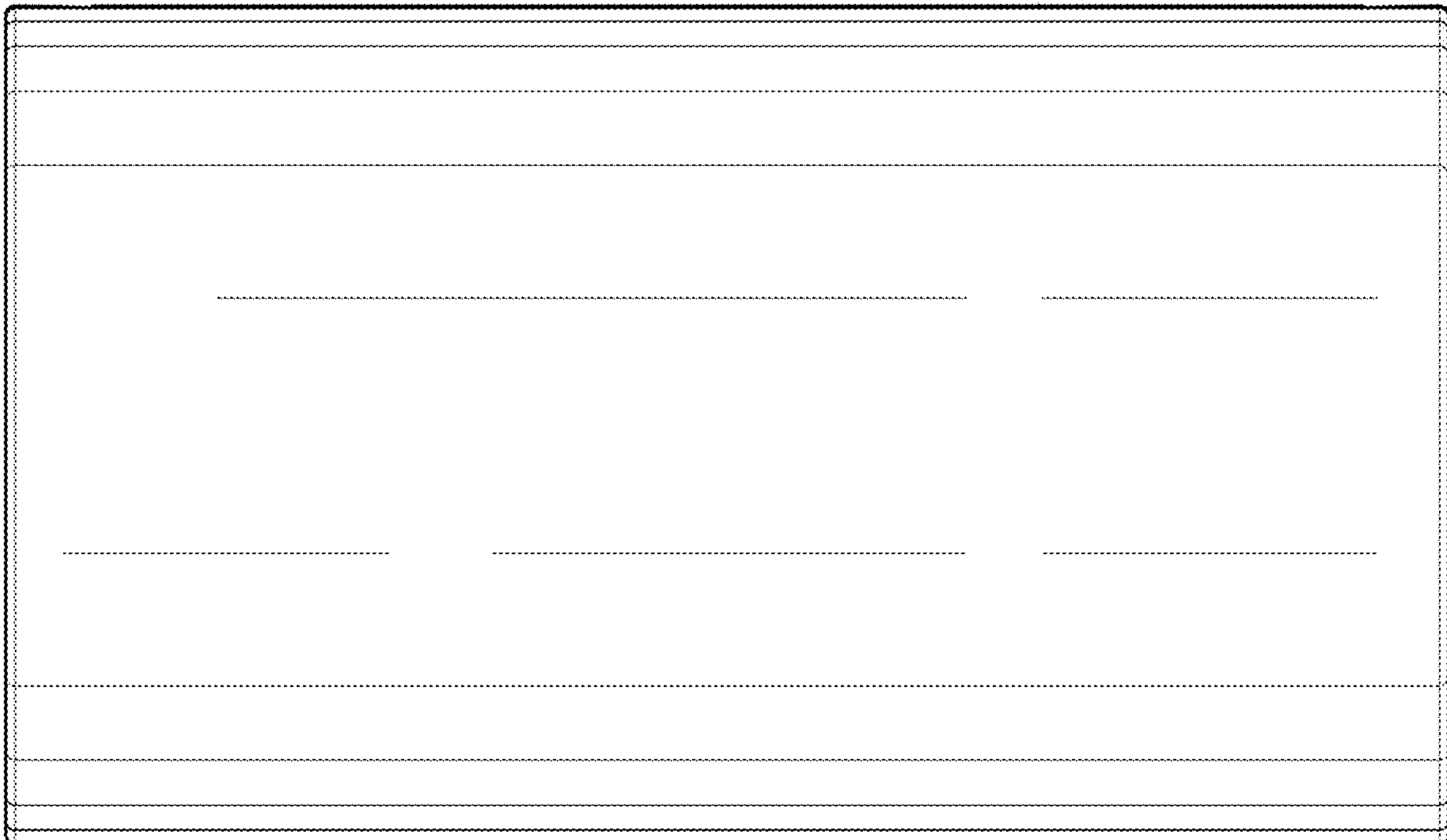
1.12



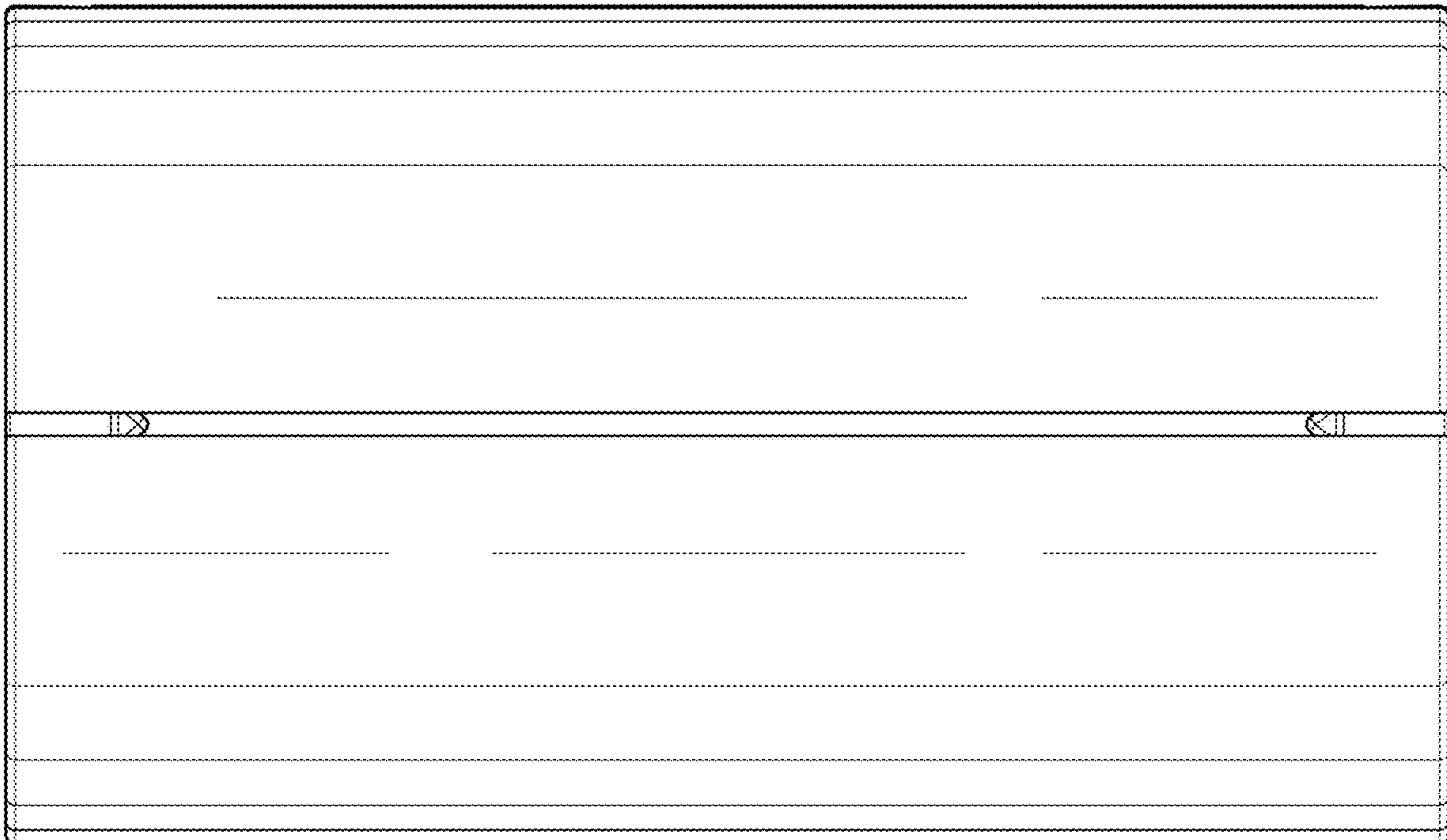
1.13



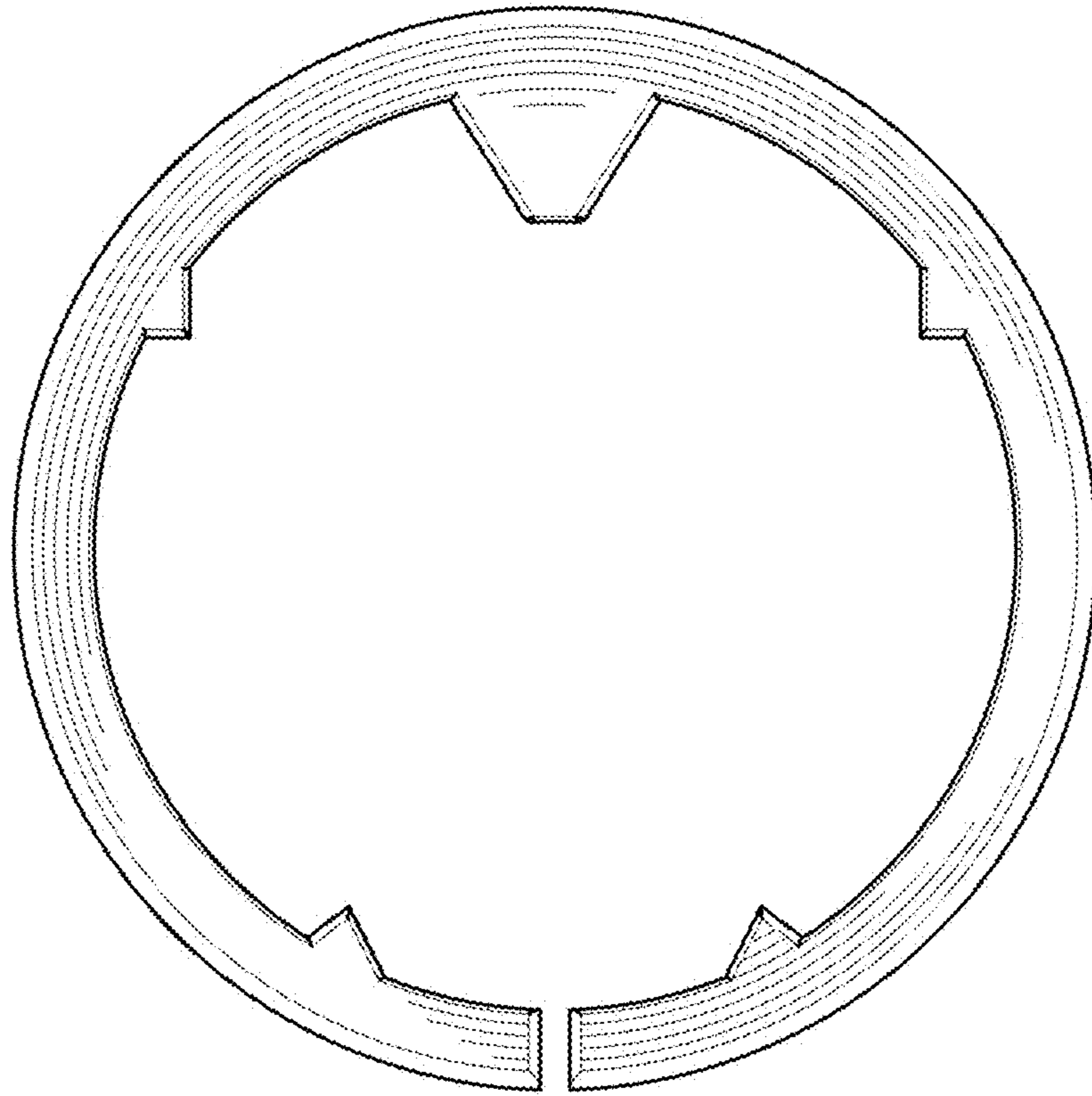
1.14



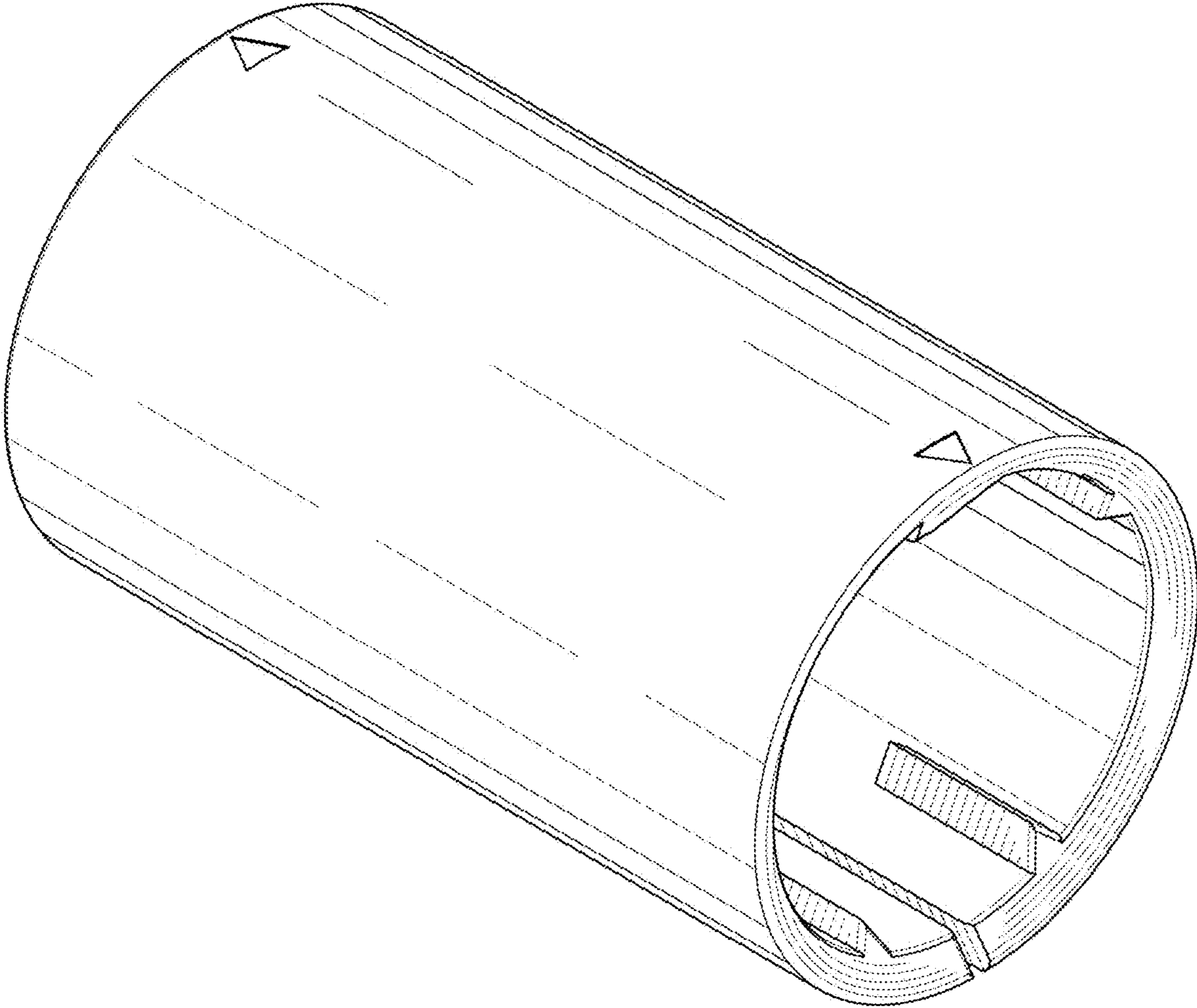
1.15



1.16



1.17



1.18

