



US00D958271S

(12) **United States Design Patent** (10) **Patent No.:** **US D958,271 S**
Behar et al. (45) **Date of Patent:** **** Jul. 19, 2022**

- (54) **STORAGE BIN**
- (71) Applicant: **Interactive Strength, Inc.**, Carson City, NV (US)
- (72) Inventors: **Yves Albert Behar**, San Francisco, CA (US); **Trent Ward**, West Hollywood, CA (US); **William Stuart**, San Francisco, CA (US); **Andrea Locatelli**, Milan (IT); **Jón Reyr Jóhannesson**, San Francisco, CA (US); **Roland Jeffrey Wyatt**, Bozeman, MT (US)
- (73) Assignee: **Interactive Strength, Inc.**, Carson City, NV (US)
- (**) Term: **15 Years**
- (21) Appl. No.: **29/723,765**
- (22) Filed: **Feb. 10, 2020**
- (51) **LOC (13) Cl.** **21-02**
- (52) **U.S. Cl.**
USPC **D21/694**
- (58) **Field of Classification Search**
USPC D3/304–305, 307, 313, 318–319, 323, D3/328; D21/694, 673, 675
CPC A63B 21/0628; A63B 21/0047; A63B 21/4035; A63B 21/154; A63B 2208/0233; A63B 23/03525; A63B 23/03533; A63B 23/12; A63B 23/4029
See application file for complete search history.

(56) **References Cited**

U.S. PATENT DOCUMENTS

- 3,874,657 A * 4/1975 Niebojewski A63B 22/0002 482/104
- D912,170 S * 3/2021 Dunahay D21/694
- D937,367 S * 11/2021 Behar D21/673

- D937,368 S * 11/2021 Behar D21/673
- 11,207,564 B2 * 12/2021 Ward G06F 3/048
- 2014/0346939 A1 * 11/2014 Rickman A47B 67/04 312/334.1
- 2018/0213931 A1 * 8/2018 Schoewe A47B 95/008
- 2020/0047027 A1 * 2/2020 Ward A63B 24/0021
- 2021/0138332 A1 * 5/2021 Dalebout A47G 1/02
- 2021/0236874 A1 * 8/2021 Ward A63B 24/0087

OTHER PUBLICATIONS

Forme Life is a new digital personal trainer hiding behind a mirror, article by Nikaya Lewis for Design Wanted, published Apr. 21, 2020, designwanted.com [online], [site visited Dec. 13, 2021], Available at URL: <https://designwanted.com/tech/forme-life-digital-personal-trainer/> (Year: 2020).*

Tempo Studio Starter Package, unknown first available date, tempo.fit [online], [site visited Dec. 13, 2021], Available at URL: <https://tempo.fit/shop/studio> (Year: 2021).*

* cited by examiner

Primary Examiner — Michelle E. Wilson

Assistant Examiner — Caitlin A Laverty

(74) Attorney, Agent, or Firm — David R. Stevens; Stevens Law Group

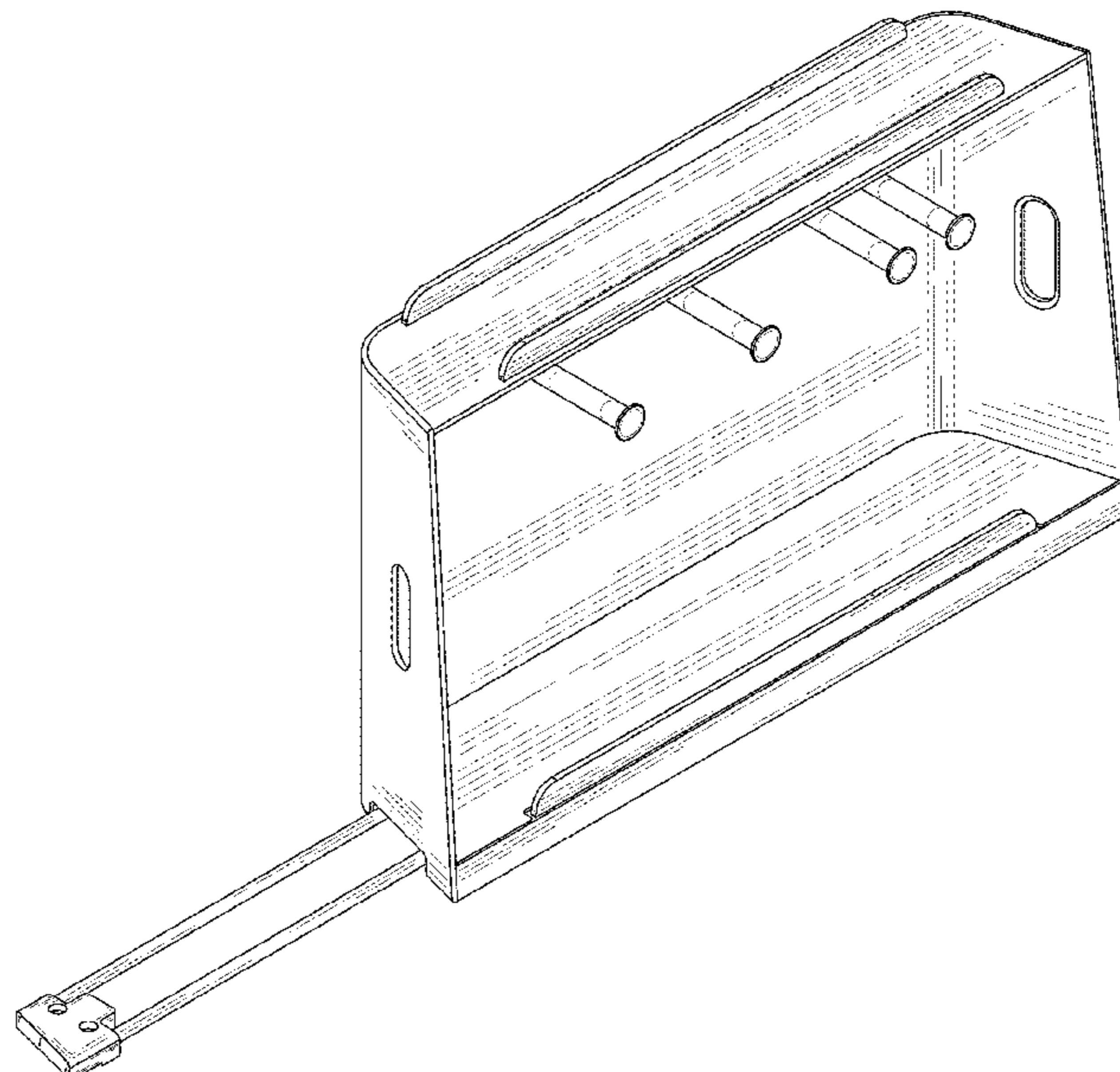
(57) **CLAIM**

The ornamental design for a storage bin, as shown and described.

DESCRIPTION

FIG. 1 is an isometric view of a storage bin.
 FIG. 2 is a front view of the storage bin of FIG. 1.
 FIG. 3 is a rear view of the storage bin of FIG. 1.
 FIG. 4 is a left side view of the storage bin of FIG. 1.
 FIG. 5 is a right side view of the storage bin of FIG. 1.
 FIG. 6 is a top view of the storage bin of FIG. 1; and,
 FIG. 7 is a bottom view of the storage bin of FIG. 1.

1 Claim, 7 Drawing Sheets



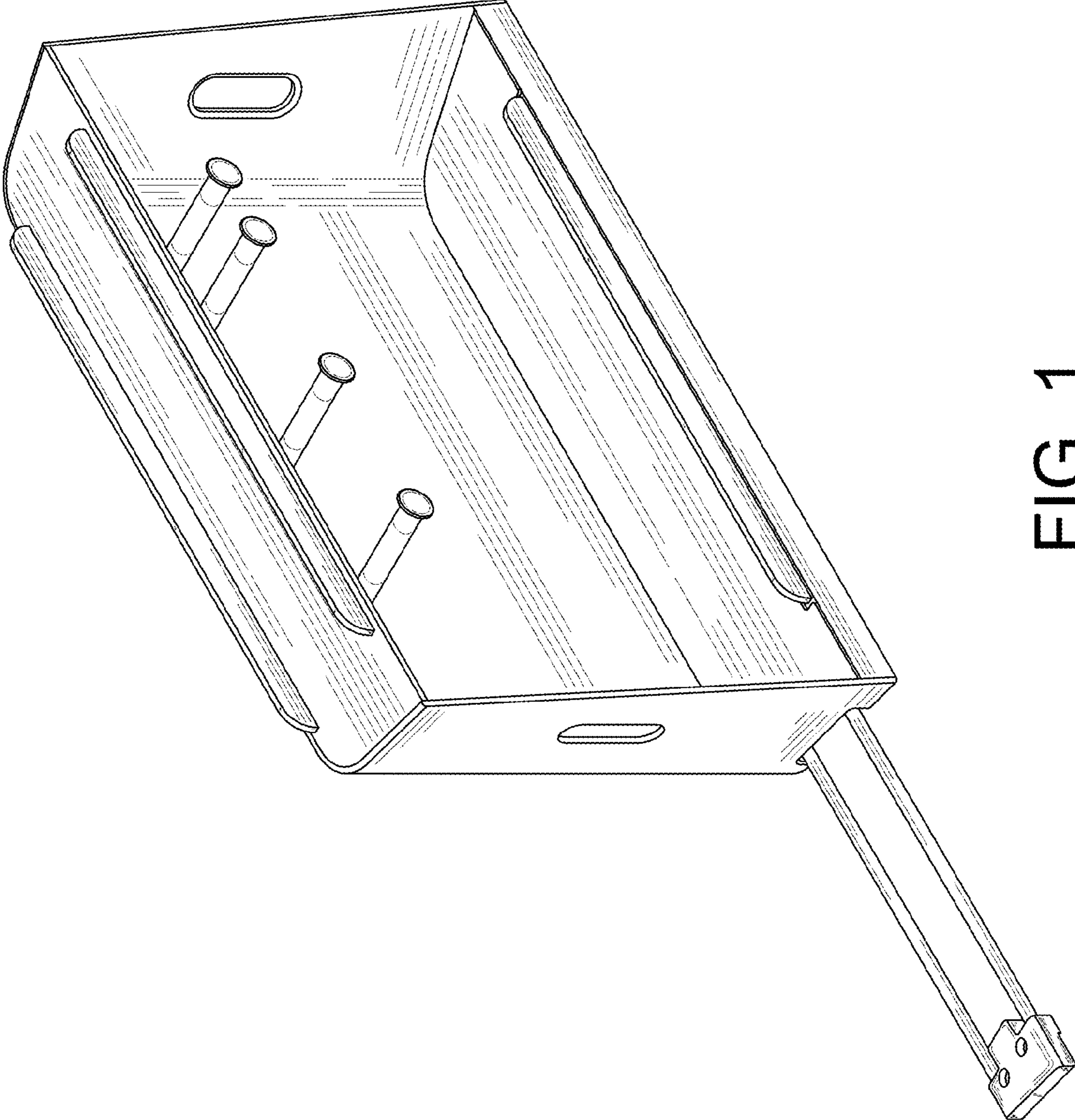


FIG. 1

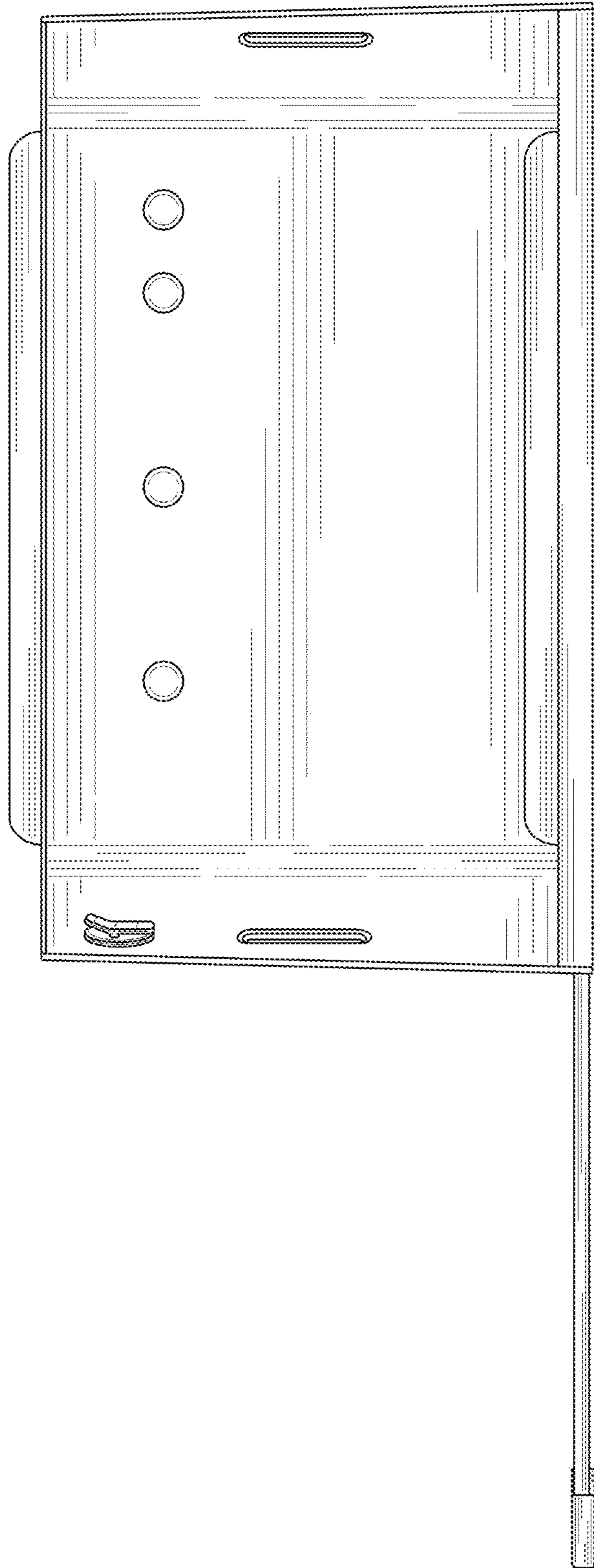


FIG. 2

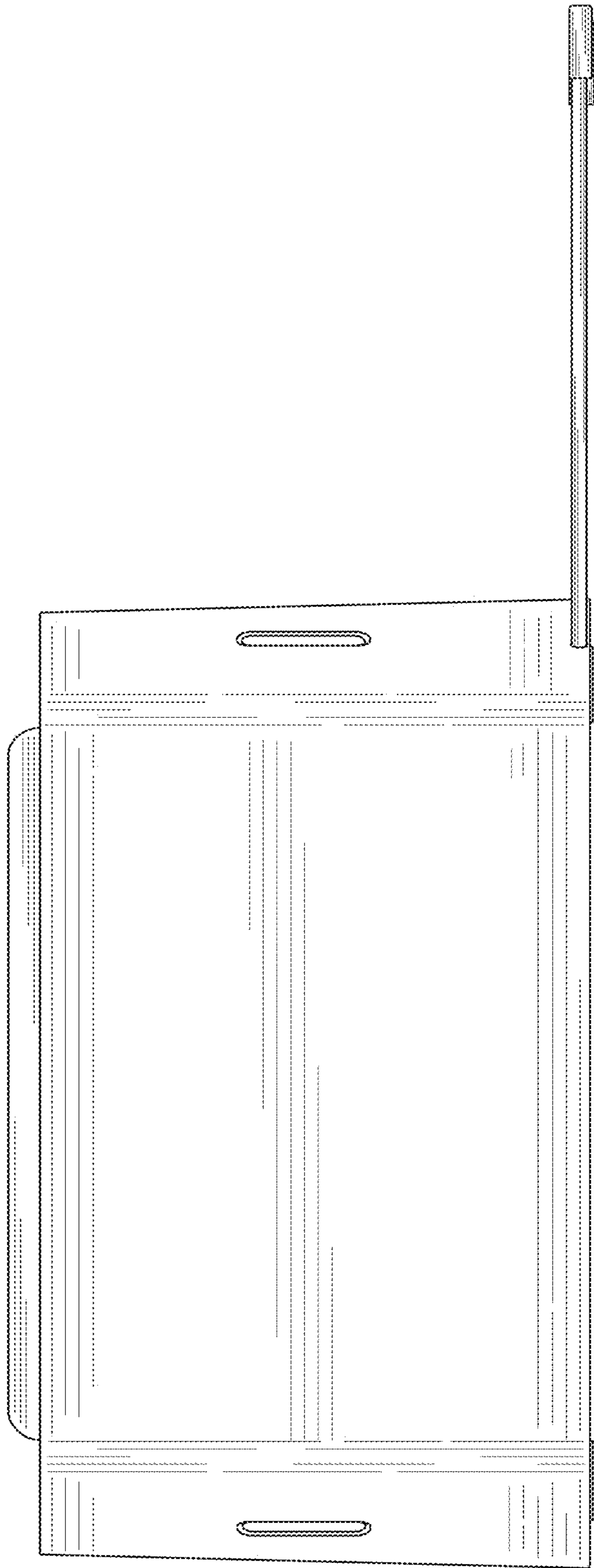


FIG. 3

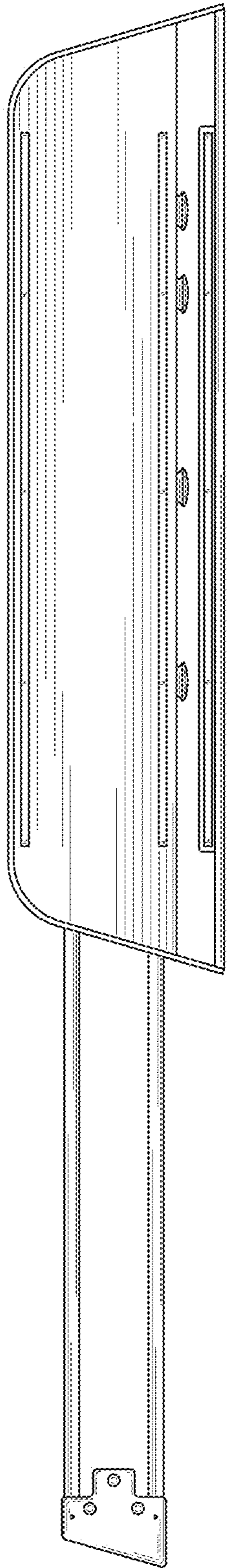


FIG. 4

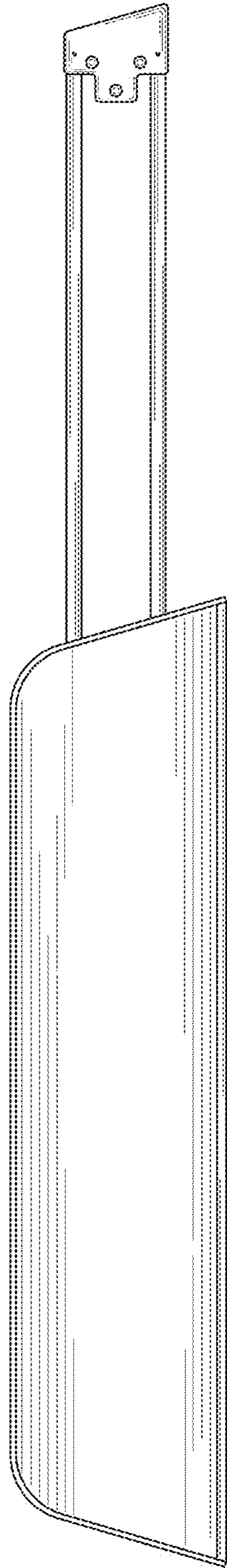


FIG. 5

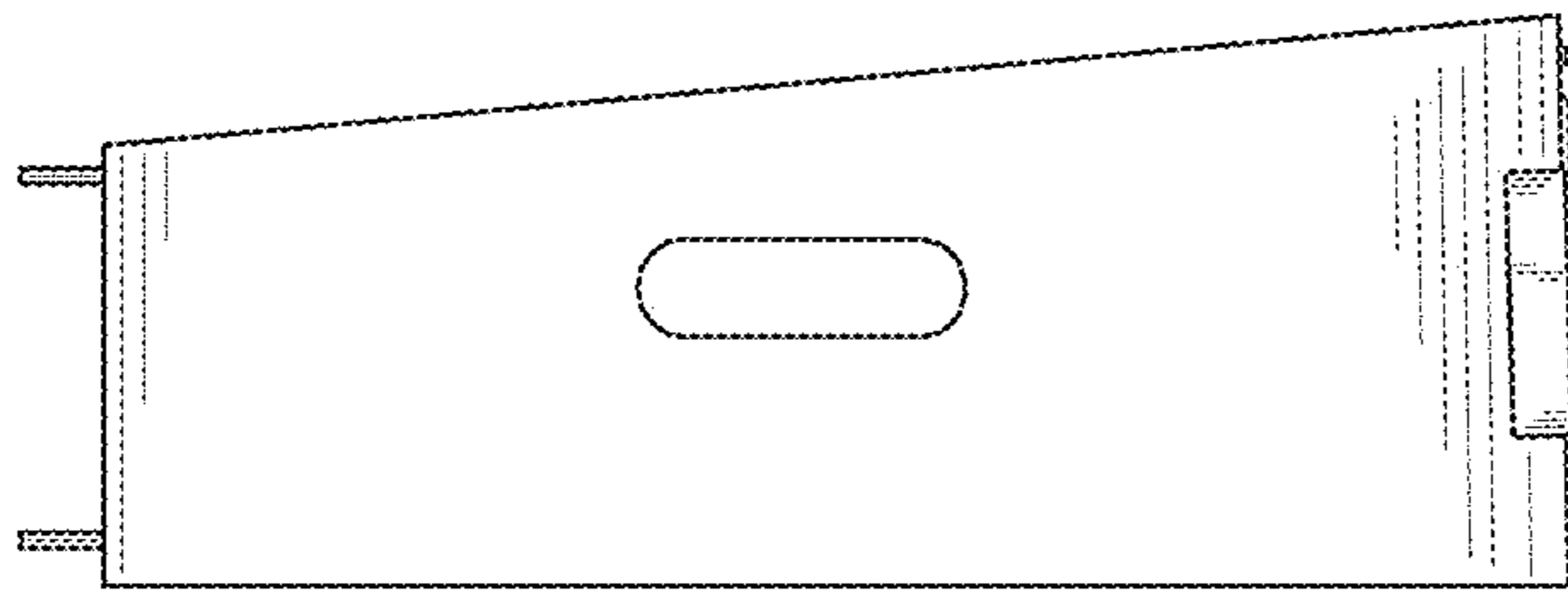


FIG. 6

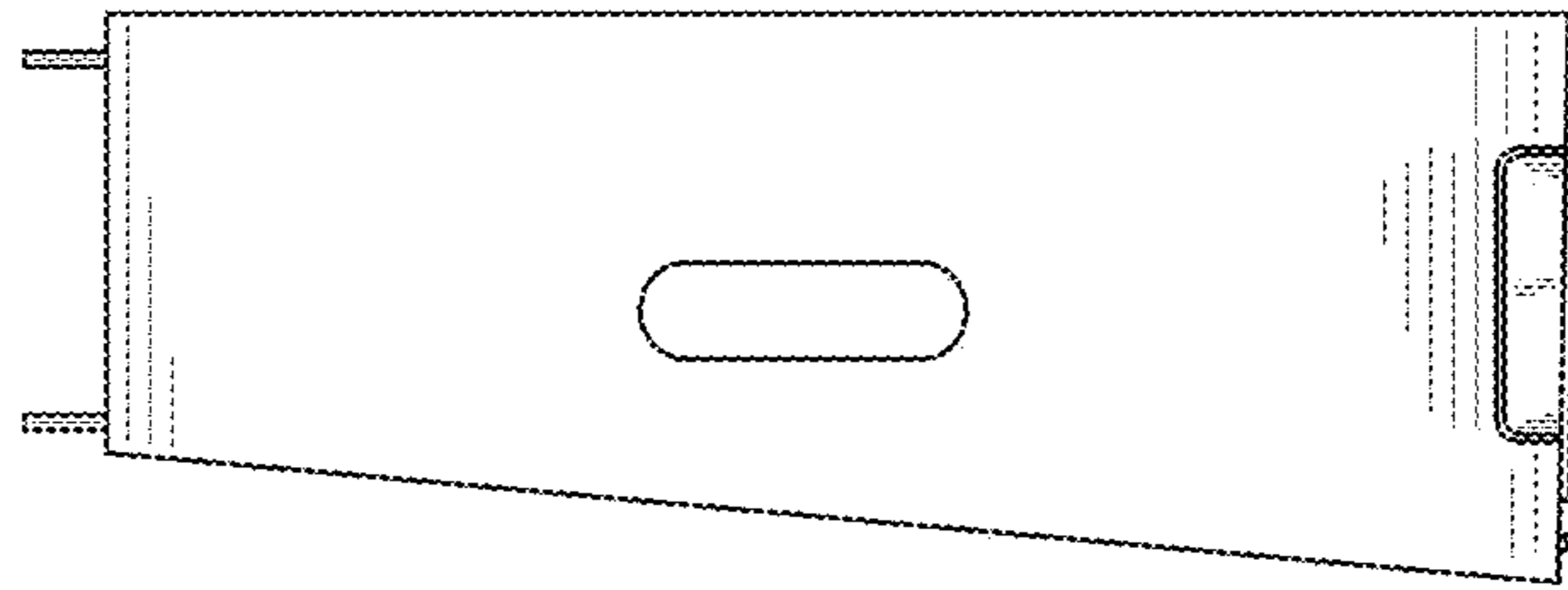


FIG. 7