



US00D958270S

(12) **United States Design Patent**
Chen

(10) **Patent No.:** **US D958,270 S**

(45) **Date of Patent:** **** Jul. 19, 2022**

- (54) **LEG STRETCHER**
- (71) Applicant: **Shenzhen Meifen Technology Co., Ltd, Shenzhen (CN)**
- (72) Inventor: **Keshun Chen, Anhui Province (CN)**
- (**) Term: **15 Years**
- (21) Appl. No.: **29/768,848**
- (22) Filed: **Feb. 1, 2021**
- (51) **LOC (13) Cl.** **21-02**
- (52) **U.S. Cl.**
USPC **D21/690**
- (58) **Field of Classification Search**
USPC D21/662, 690, 686, 685, 671, 688, 668,
D21/673, 682, 677, 665, 796, 791, 334;
D24/192, 212, 213, 214
See application file for complete search history.

- 5,904,641 A * 5/1999 Huang A63B 22/203
482/131
- 6,352,495 B1 * 3/2002 Hsu A61H 1/0244
482/131
- 10,172,758 B1 * 1/2019 Downs A61H 1/02
D891,540 S 7/2020 Li
- 2022/0026016 A1 * 1/2022 Hoyle A47B 91/16

OTHER PUBLICATIONS

Amzefanstore, announced Mar. 19, 2020[online], [site visited Nov. 18, 2021]. Available on internet, URL:[https://www.amazon.com/AmazeFan-Stretcher-Stretching-Flexibility-Equipment/dp/B0863YT7M6/ref\(Year: 2020\).](https://www.amazon.com/AmazeFan-Stretcher-Stretching-Flexibility-Equipment/dp/B0863YT7M6/ref(Year: 2020).)*

Figrol, announced Jun. 15, 2020[online], [site visited Nov. 18, 2021]. Available on internet, URL:[https://www.amazon.com/FIGROL-Stretcher-Stretching-Flexibility-Gymnastics/dp/B07Q36JWN4/ref\(Year: 2019\).](https://www.amazon.com/FIGROL-Stretcher-Stretching-Flexibility-Gymnastics/dp/B07Q36JWN4/ref(Year: 2019).)*

* cited by examiner

Primary Examiner — Khawaja Anwar
Assistant Examiner — Julice Seung Eun Oum

(56) **References Cited**

U.S. PATENT DOCUMENTS

- 4,445,684 A * 5/1984 Ruff A61H 1/0244
482/131
- 4,781,373 A * 11/1988 Irwin A63B 23/0488
482/131
- 4,844,453 A * 7/1989 Hestilow A61H 1/0244
482/131
- 4,877,239 A * 10/1989 Dela Rosa A61H 1/0244
482/131
- 5,026,049 A * 6/1991 Goodman A63B 23/0488
482/131
- 5,108,090 A * 4/1992 Reed A63B 23/0211
482/5
- 5,137,504 A * 8/1992 Mangini A61H 1/0244
482/131
- D359,089 S * 6/1995 Taylor D21/691
- 5,584,756 A * 12/1996 Grapengiser A63B 23/04
482/92

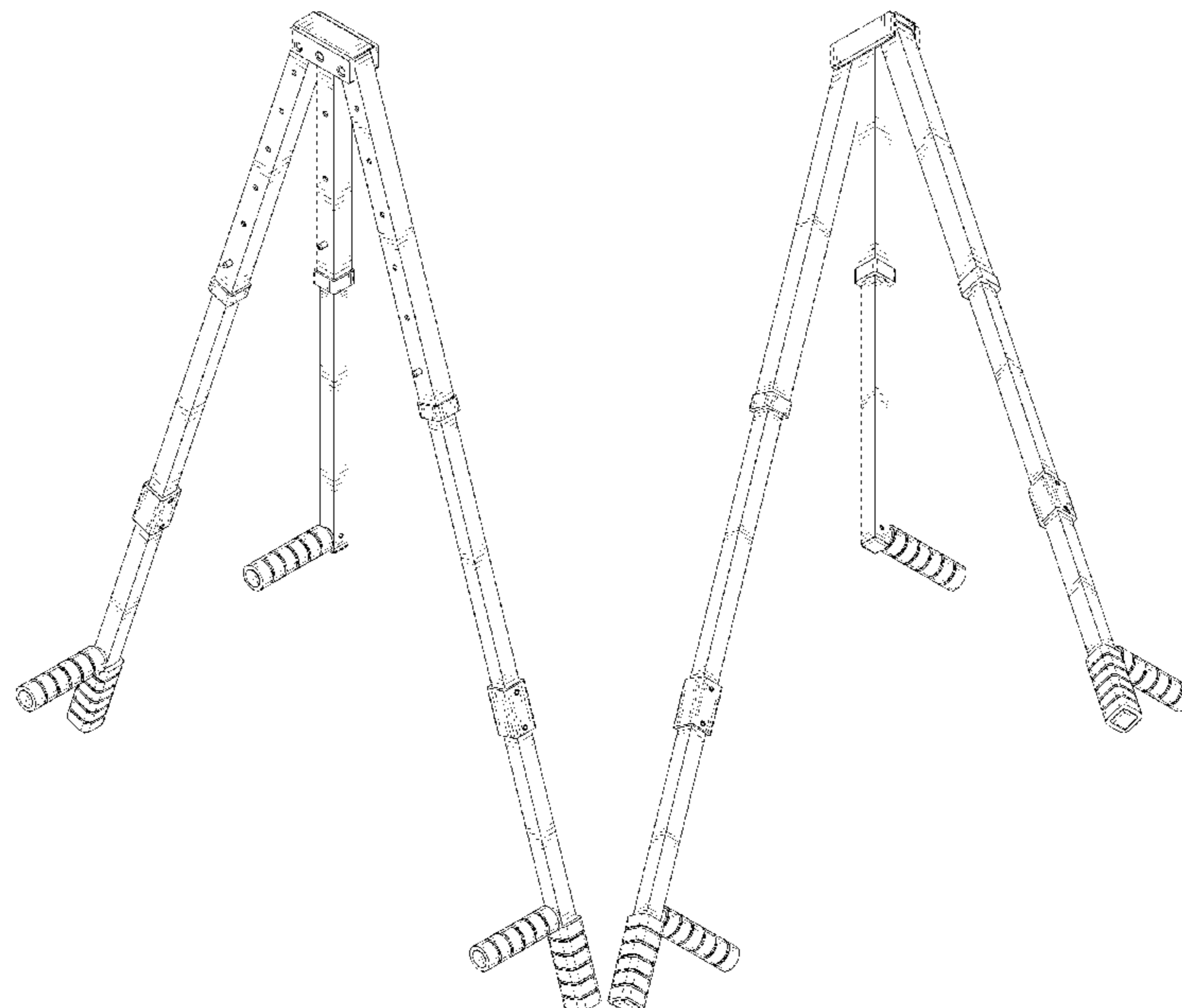
(57) **CLAIM**

The ornamental design for a leg stretcher, as shown and described.

DESCRIPTION

FIG. 1 is a front and top perspective view of a leg stretcher, showing my new design;
FIG. 2 is a rear and bottom perspective view thereof;
FIG. 3 is a front elevation view thereof;
FIG. 4 is a rear elevation view thereof;
FIG. 5 is a left side elevation view thereof;
FIG. 6 is a right side elevation view thereof;
FIG. 7 is a top plan view thereof;
FIG. 8 is a bottom plan view thereof; and,
FIG. 9 is a front and top perspective view thereof, showing the leg stretcher in a folded position.

1 Claim, 9 Drawing Sheets



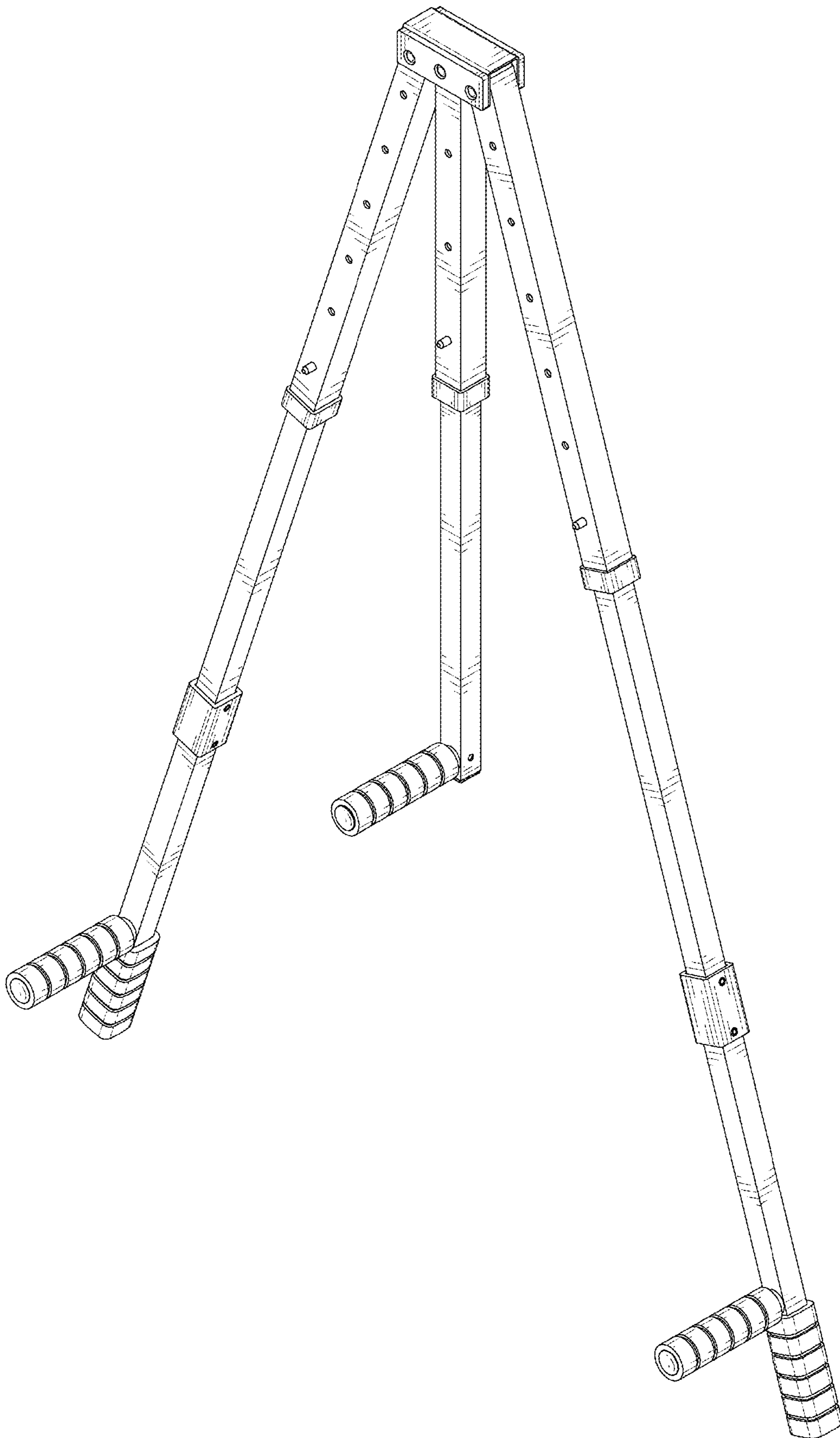


FIG. 1

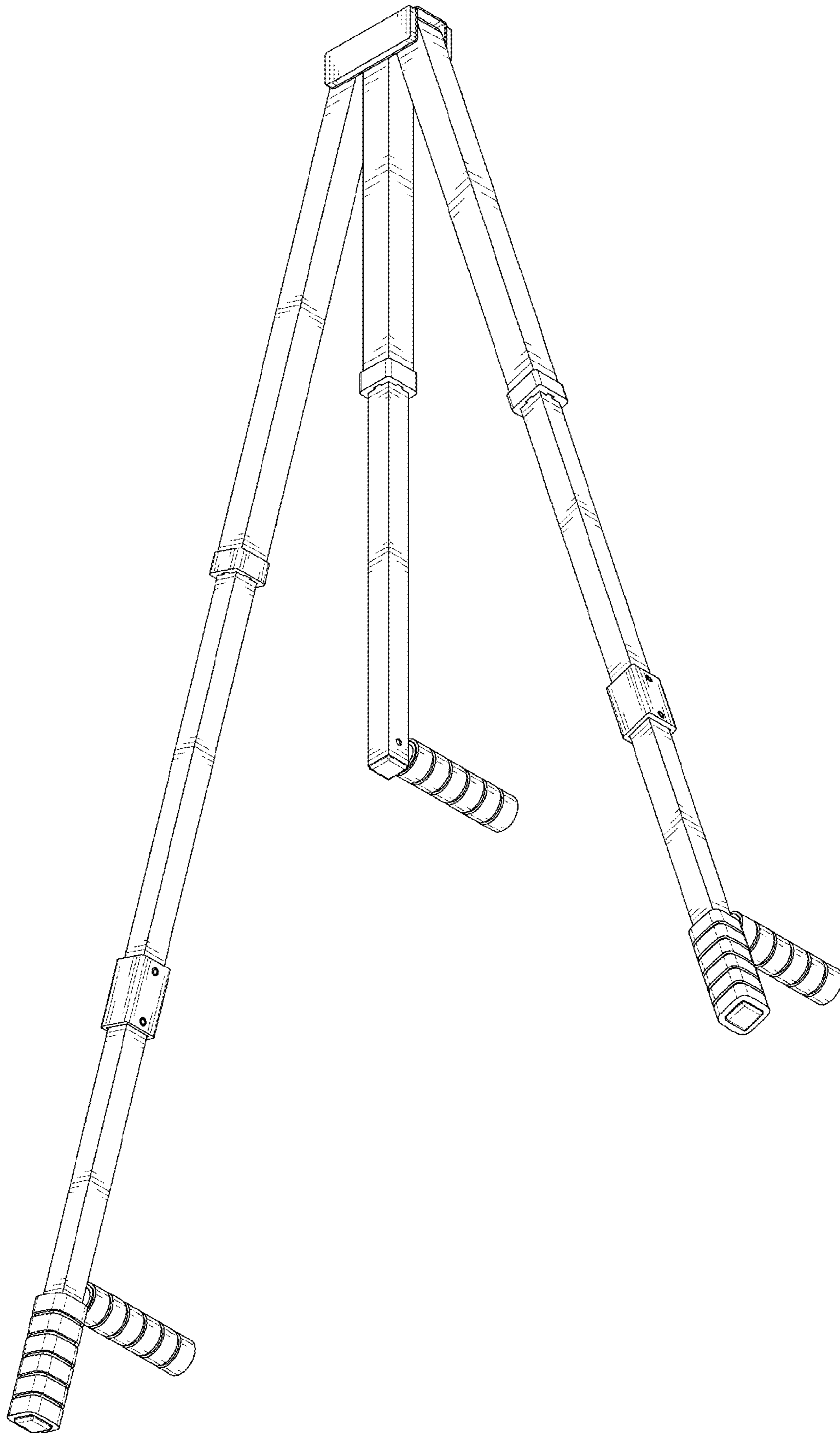


FIG. 2

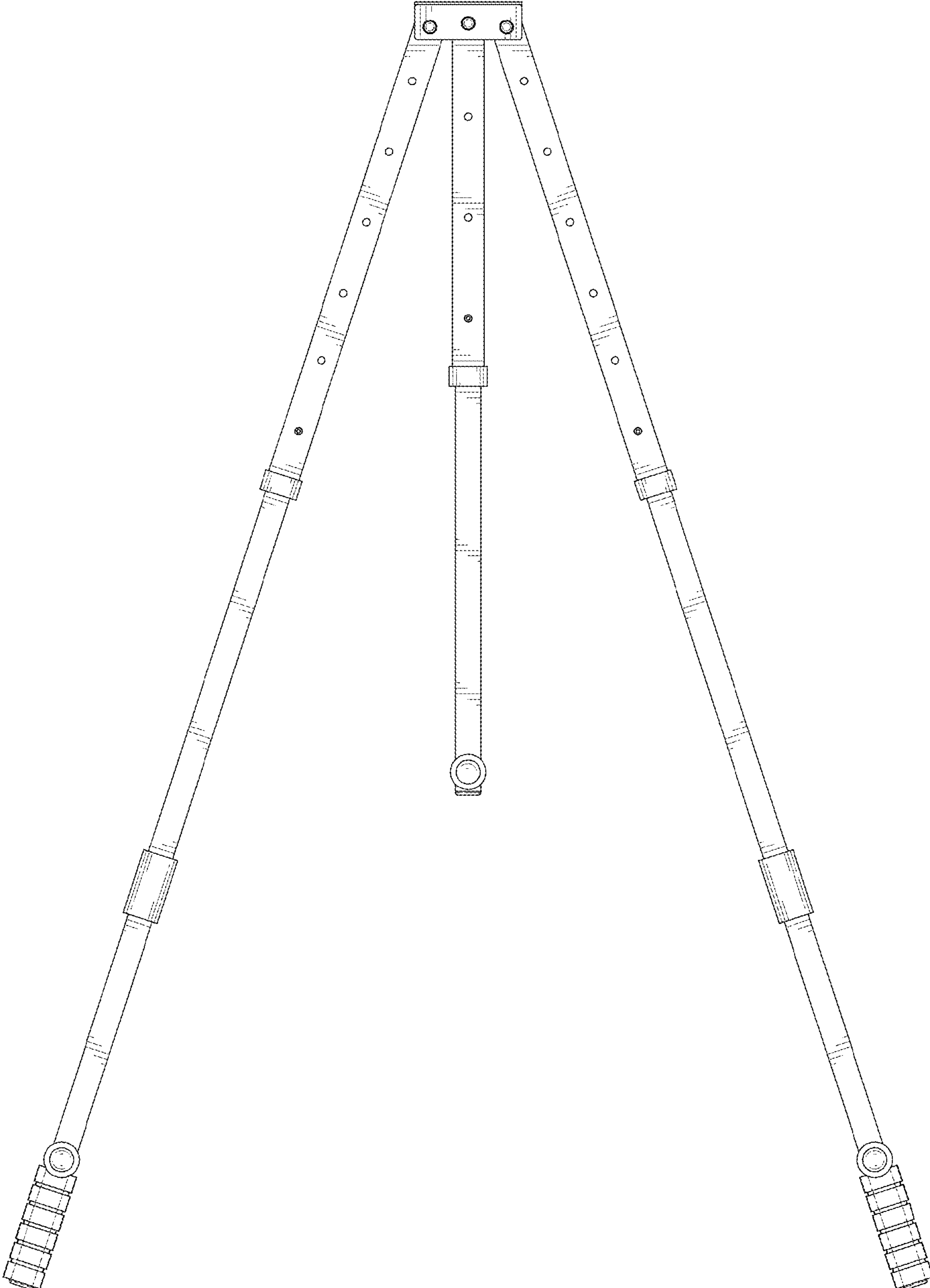


FIG. 3

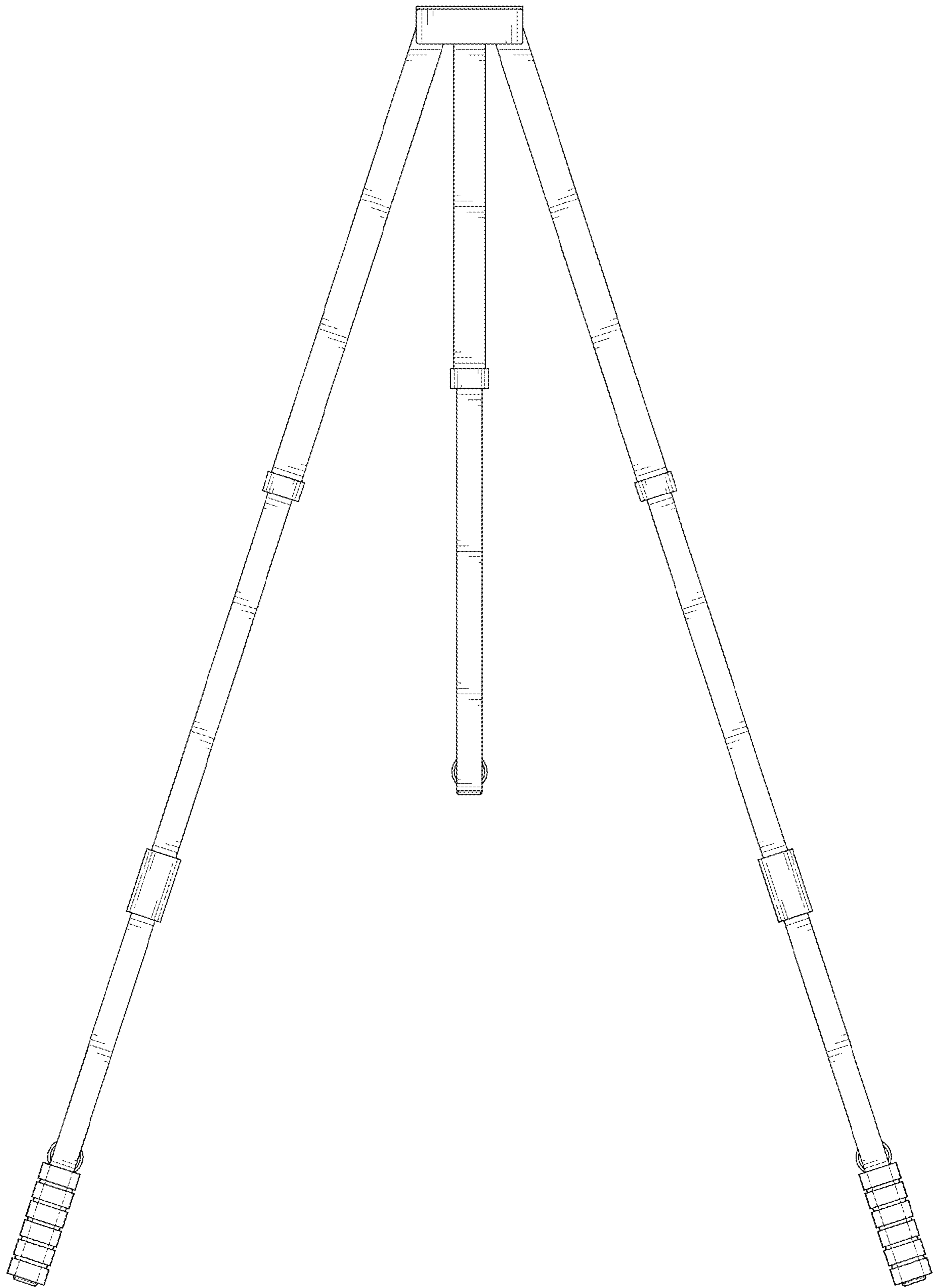


FIG. 4

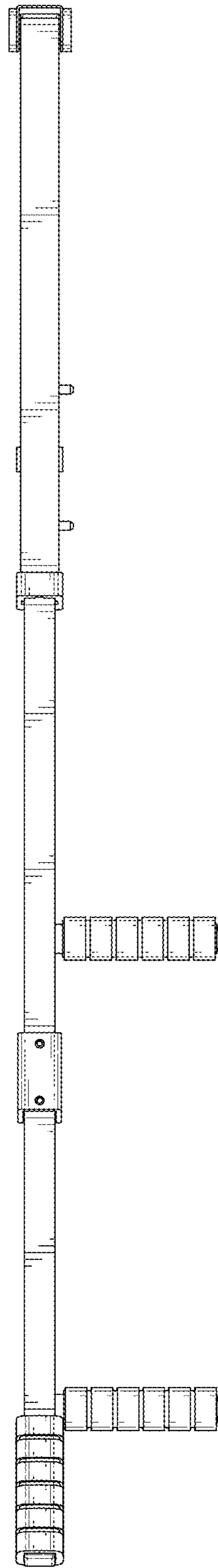


FIG. 5

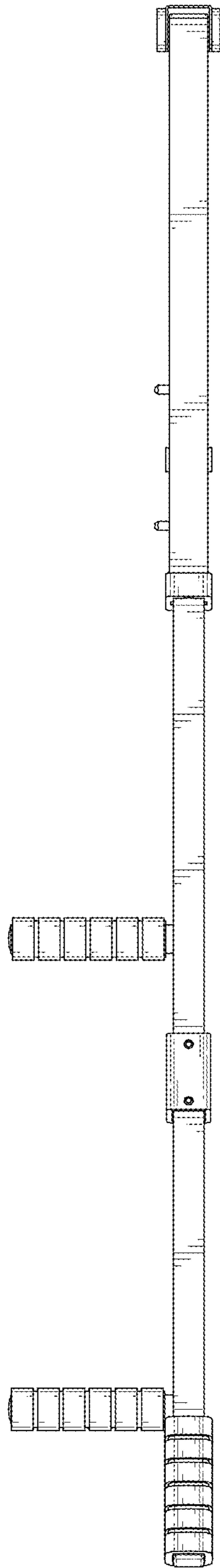


FIG. 6

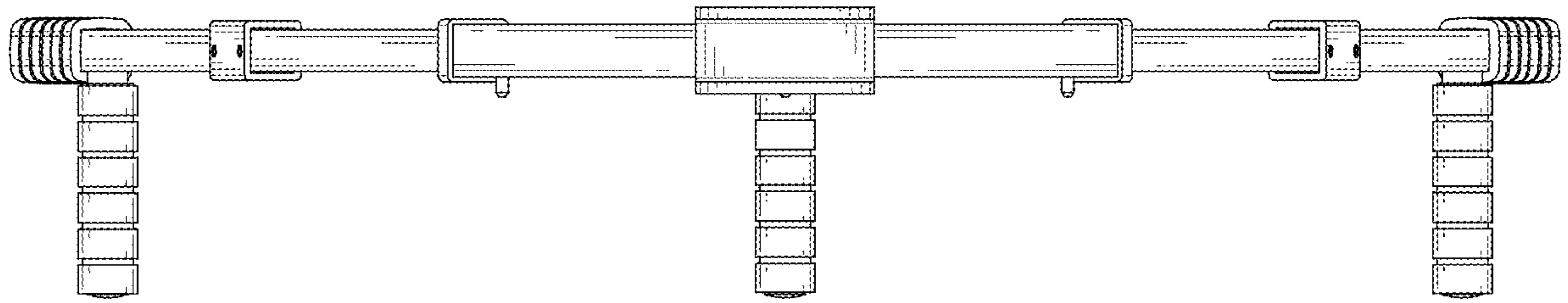


FIG. 7

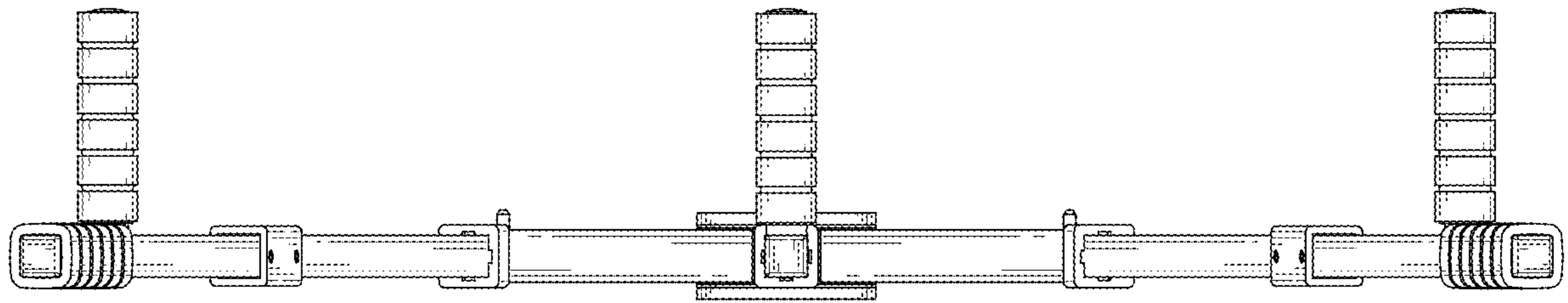


FIG. 8

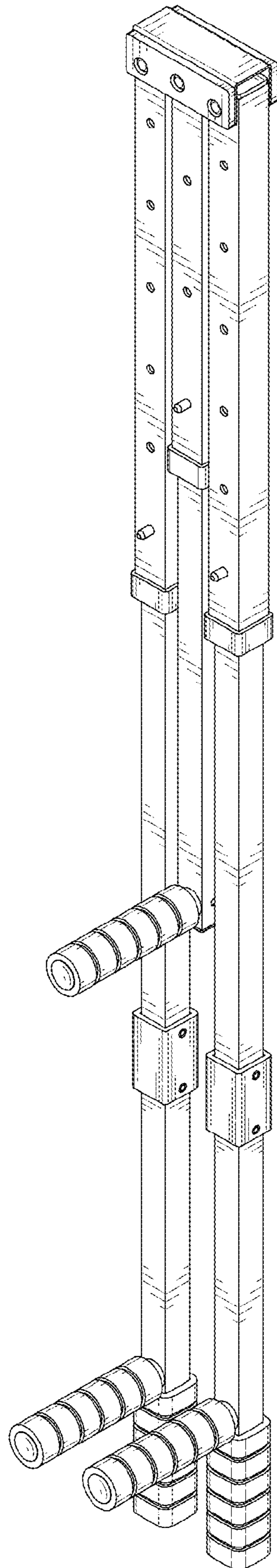


FIG. 9