



US00D958268S

(12) **United States Design Patent**
Zhu

(10) **Patent No.:** **US D958,268 S**
(45) **Date of Patent:** **** Jul. 19, 2022**

- (54) **STEPPER EXERCISE DEVICE**
- (71) Applicant: **Ningbo Powerful Electrical Appliance Co., Ltd, Zhejiang (CN)**
- (72) Inventor: **Fuzhen Zhu, Zhejiang (CN)**
- (73) Assignee: **Ningbo Powerful Electrical Appliance Co., Ltd, Zhejiang (CN)**
- (**) Term: **15 Years**
- (21) Appl. No.: **29/735,790**
- (22) Filed: **May 25, 2020**
- (30) **Foreign Application Priority Data**

Nov. 27, 2019 (CN) 201930656913.2

- (51) **LOC (13) Cl.** **21-02**
- (52) **U.S. Cl.**
USPC **D21/686**
- (58) **Field of Classification Search**
USPC D21/662, 686, 663, 666, 668, 670, 671,
D21/672, 685, 697, 667
See application file for complete search history.

(56) **References Cited**

U.S. PATENT DOCUMENTS

D514,635 S *	2/2006	Hsiao	D21/670
D793,494 S *	8/2017	Mansfield	D21/668
D796,591 S *	9/2017	Ho	D21/668
D906,445 S *	12/2020	Colburn	A63B 22/0694
				D21/663
D945,538 S *	3/2022	Chen	D21/670
D949,255 S *	4/2022	Hsieh	D21/670
2008/0058168 A1 *	3/2008	Lin	A63B 22/208
				482/52
2016/0107026 A1 *	4/2016	Hsu	A63B 22/0058
				482/80
2016/0317859 A1 *	11/2016	Dalmia	A63B 22/06
2017/0216660 A1 *	8/2017	Lernihan	A63B 22/0664

2017/0252603 A1 *	9/2017	Wu	A63B 21/159
2019/0022456 A1 *	1/2019	Dalmia	A63B 21/00069
2022/0008780 A1 *	1/2022	Chen	A63B 21/225

FOREIGN PATENT DOCUMENTS

CN 304599934 * 8/2017

OTHER PUBLICATIONS

Jfit store, announced 2016[online], [site visited Jan. 3, 2021]. Available on the internet, URL:https://www.amazon.com/Elliptical-Stepper-Adjustable-Exercise-Equipment/dp/B018WMQRYK/ref(Year: 2016).*

Ativa fit store, announced 2019[online], [site visited Jan. 3, 2021]. Available on the internet, URL:https://www.amazon.com/ATIVAFIT-Elliptical-Exerciser-Adjustable-Resistance/dp/B07TNFPZZ1/ref(Year: 2019).*

* cited by examiner

Primary Examiner — Khawaja Anwar
Assistant Examiner — Julice Seung Eun Oum
 (74) *Attorney, Agent, or Firm* — JCIP Global Inc.

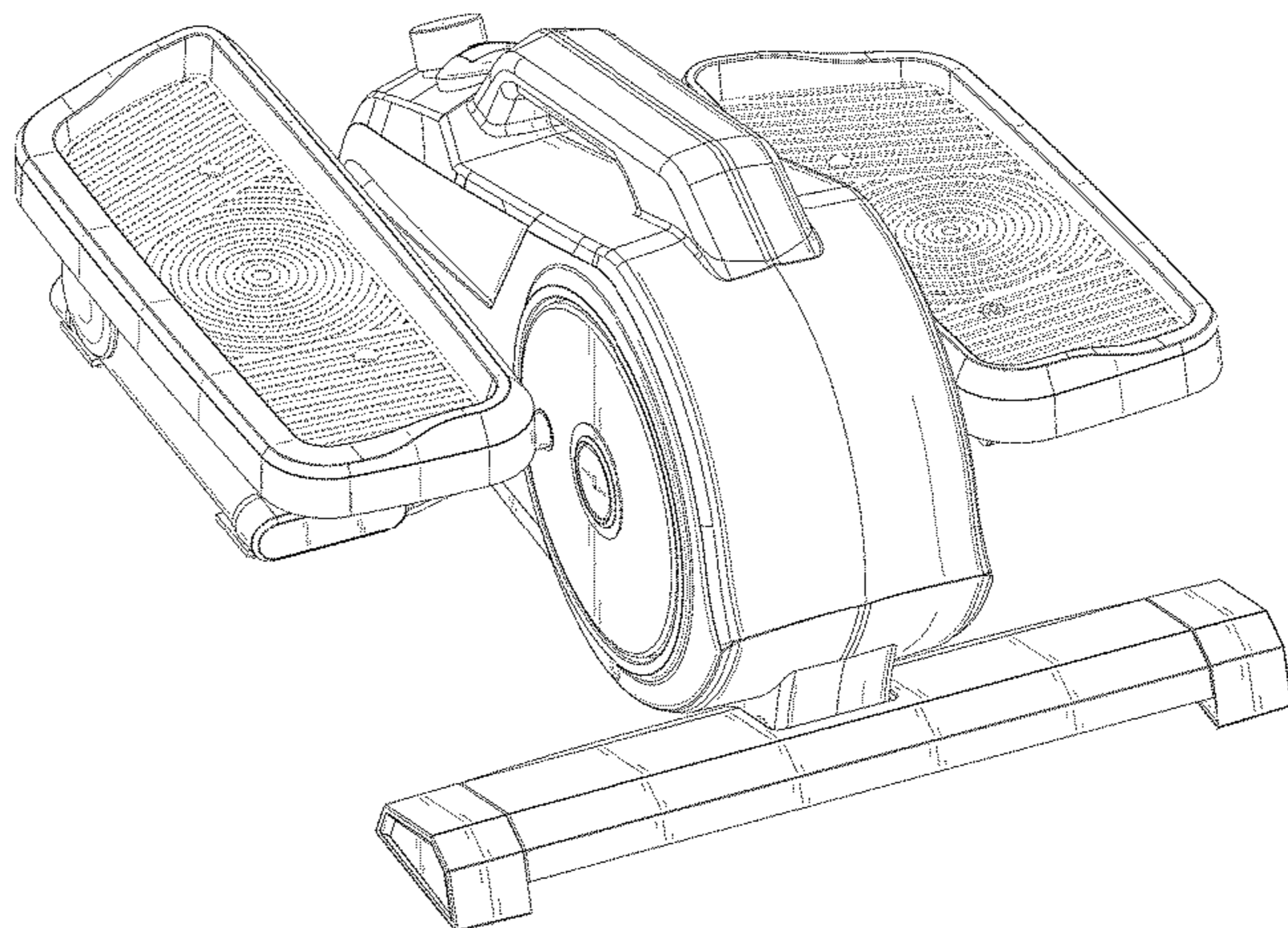
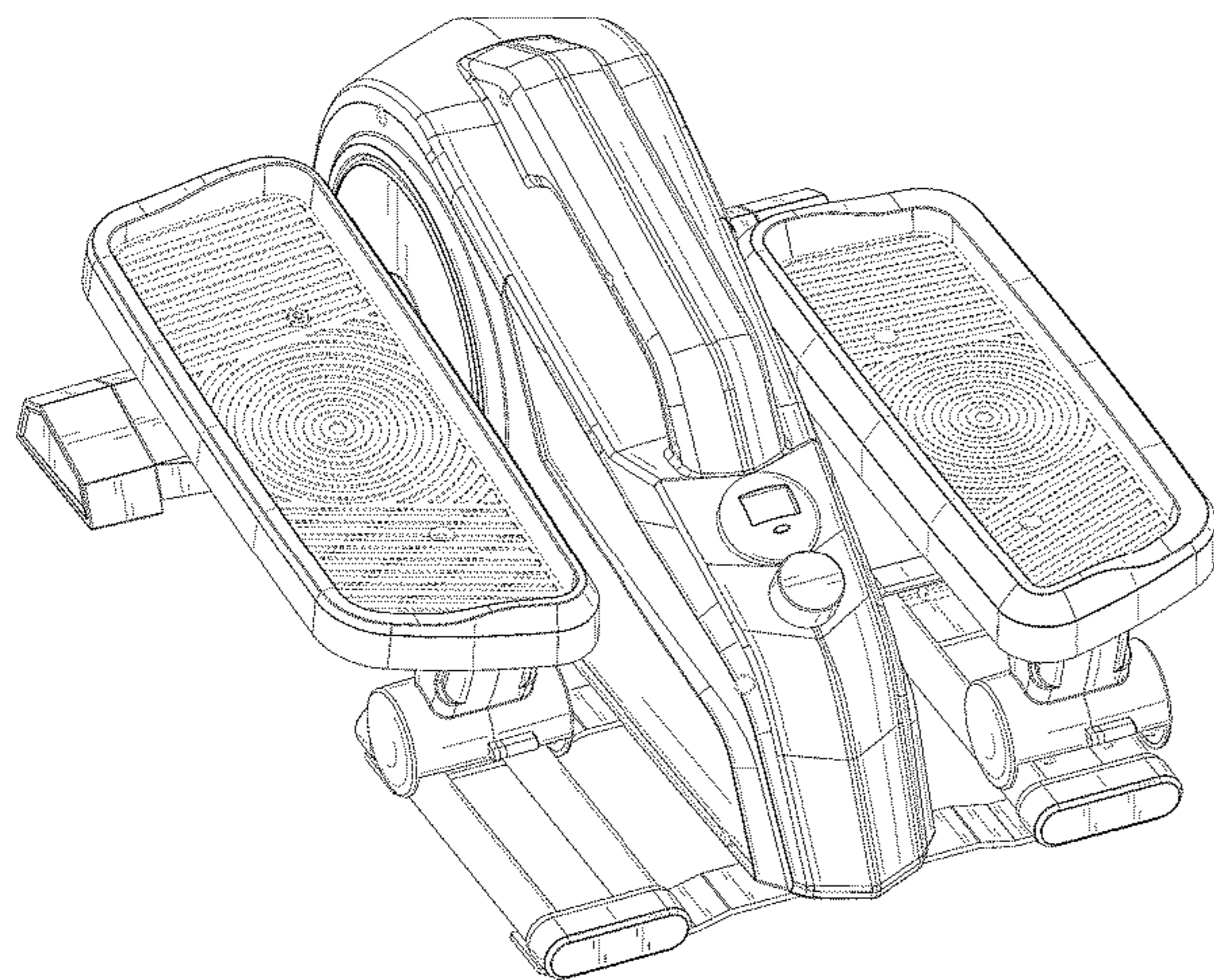
(57) **CLAIM**

The ornamental design for a stepper exercise device, as shown and described.

DESCRIPTION

FIG. 1 is a perspective view of a stepper exercise device showing my new design;
 FIG. 2 is another perspective view thereof;
 FIG. 3 is a front view thereof;
 FIG. 5 is a rear view thereof;
 FIG. 5 is a left side view thereof;
 FIG. 6 is a right side view thereof; and,
 FIG. 7 is a top view thereof.
 A bottom view thereof is omitted since it does not contain ornamental features. The broken line portions of the stepper exercise device in FIGS. 1-7 represent unclaimed portions of the claimed design and form no part thereof.

1 Claim, 7 Drawing Sheets



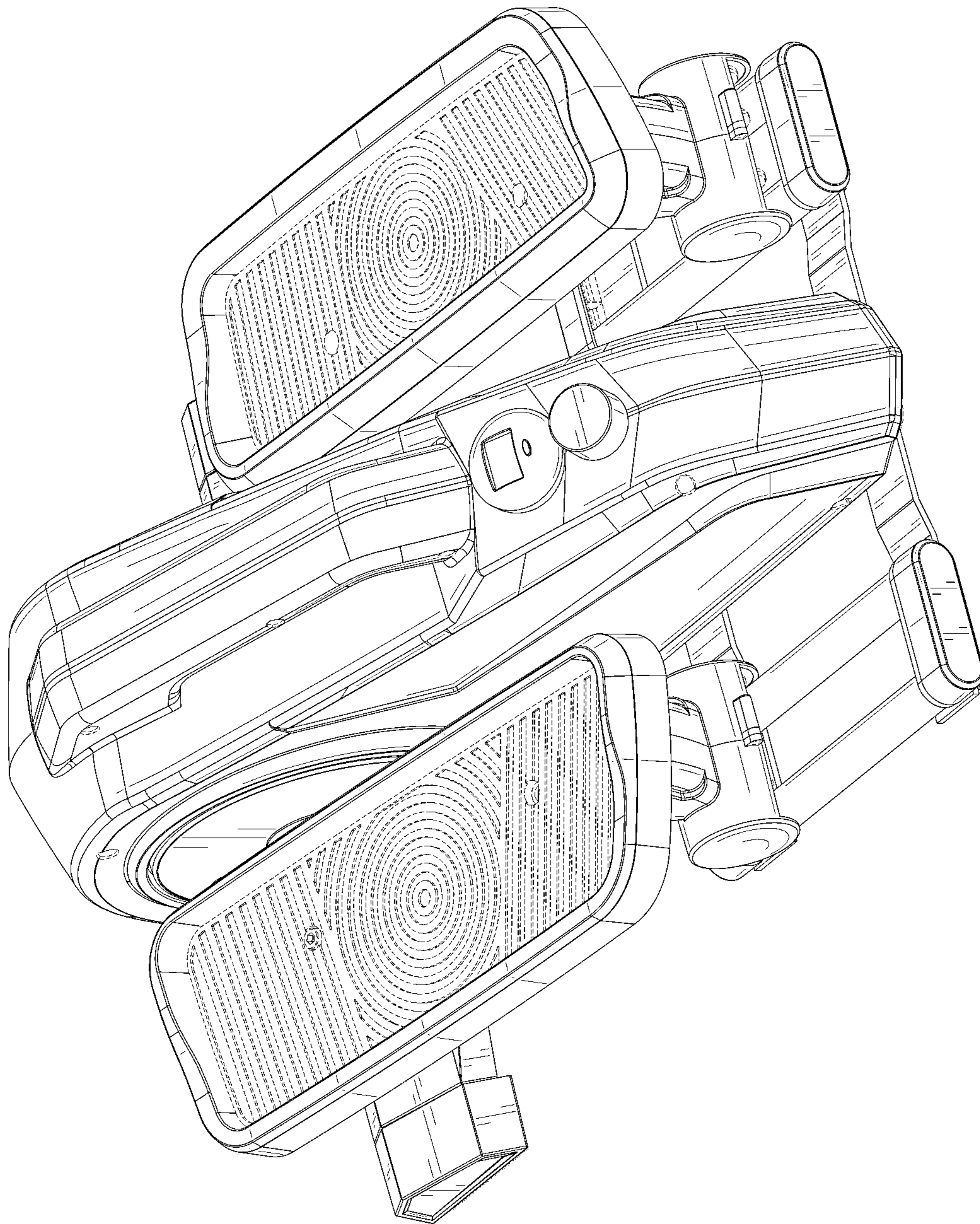


FIG. 1

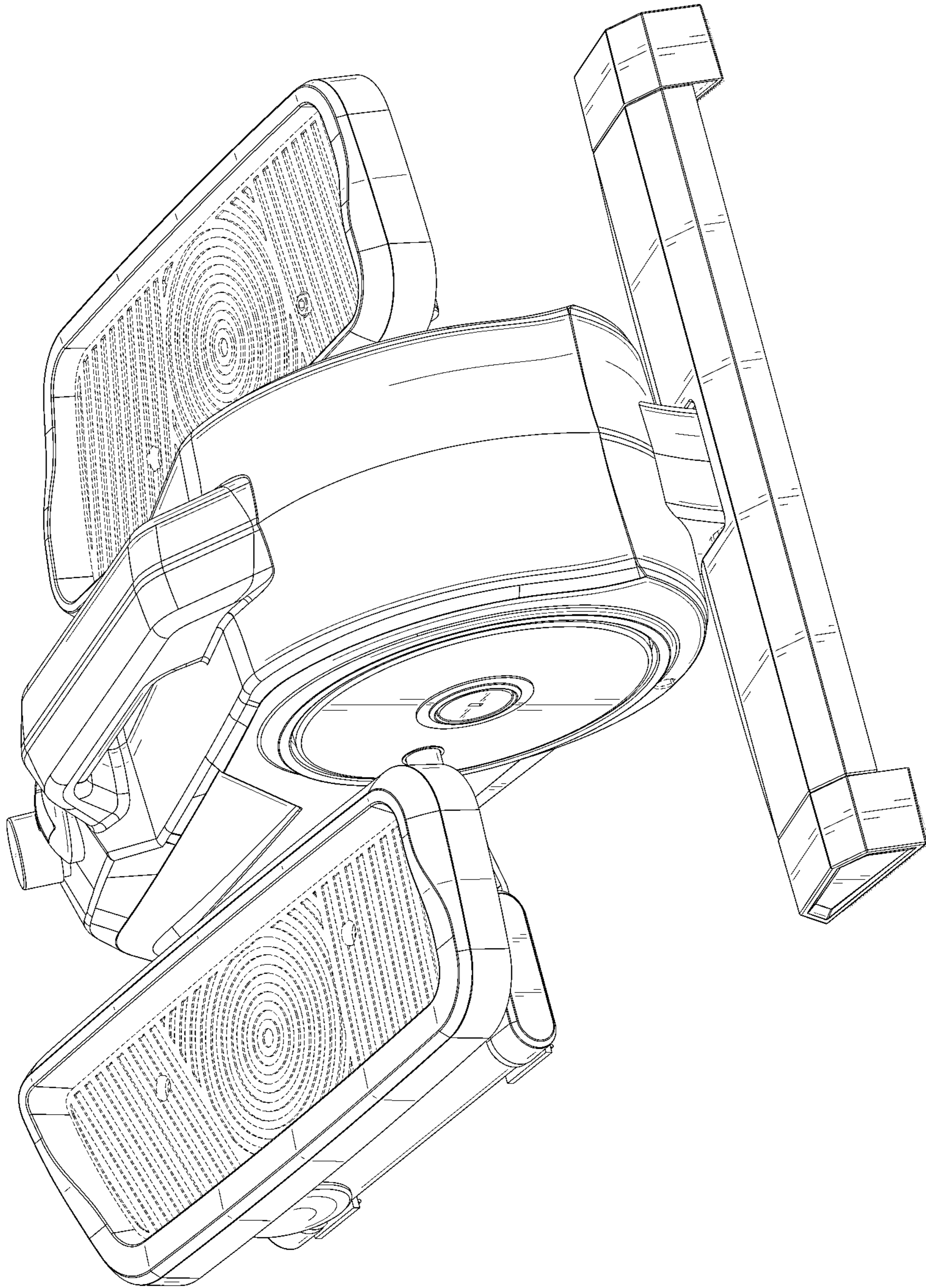


FIG. 2

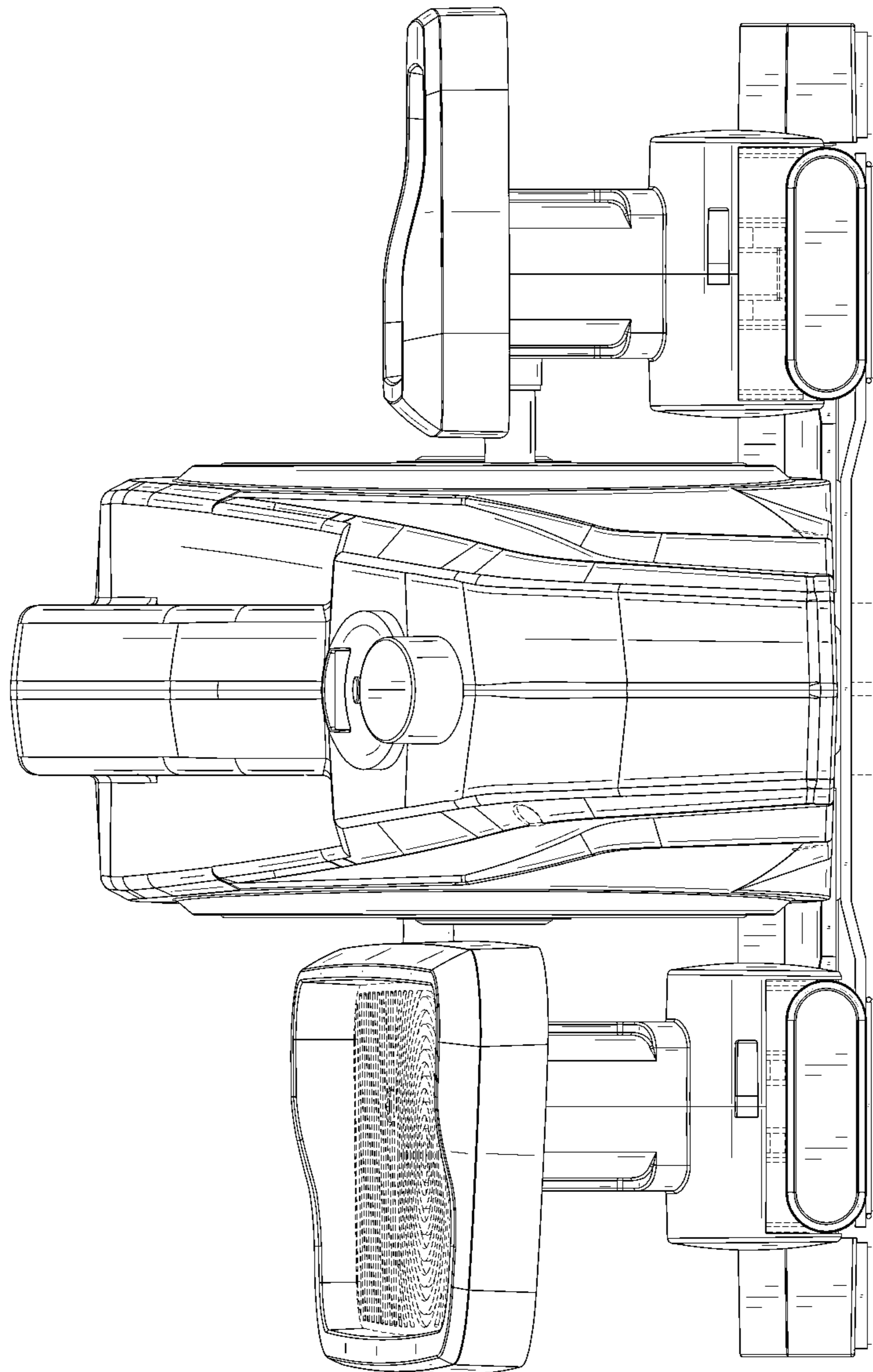


FIG. 3

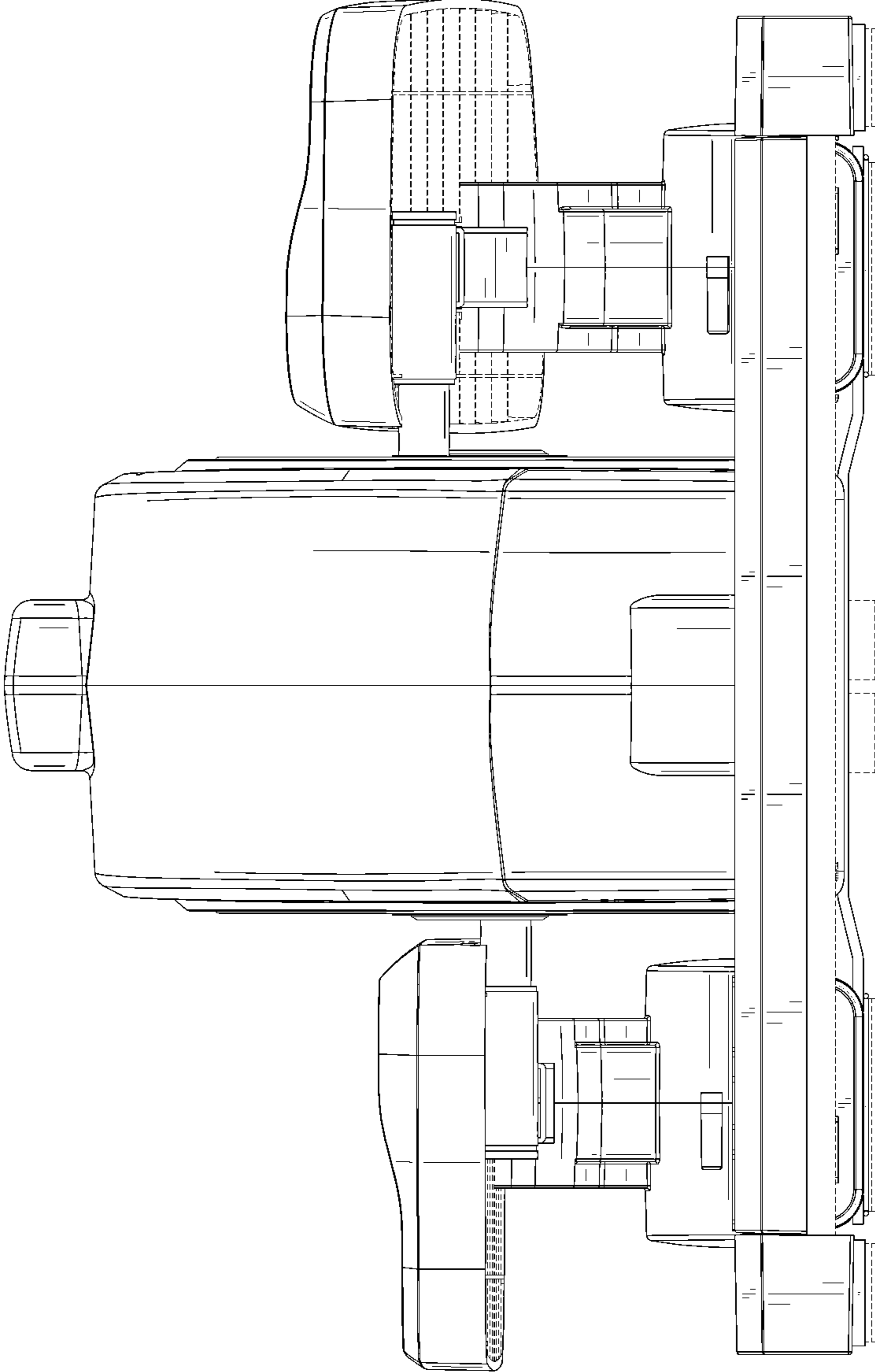


FIG. 4

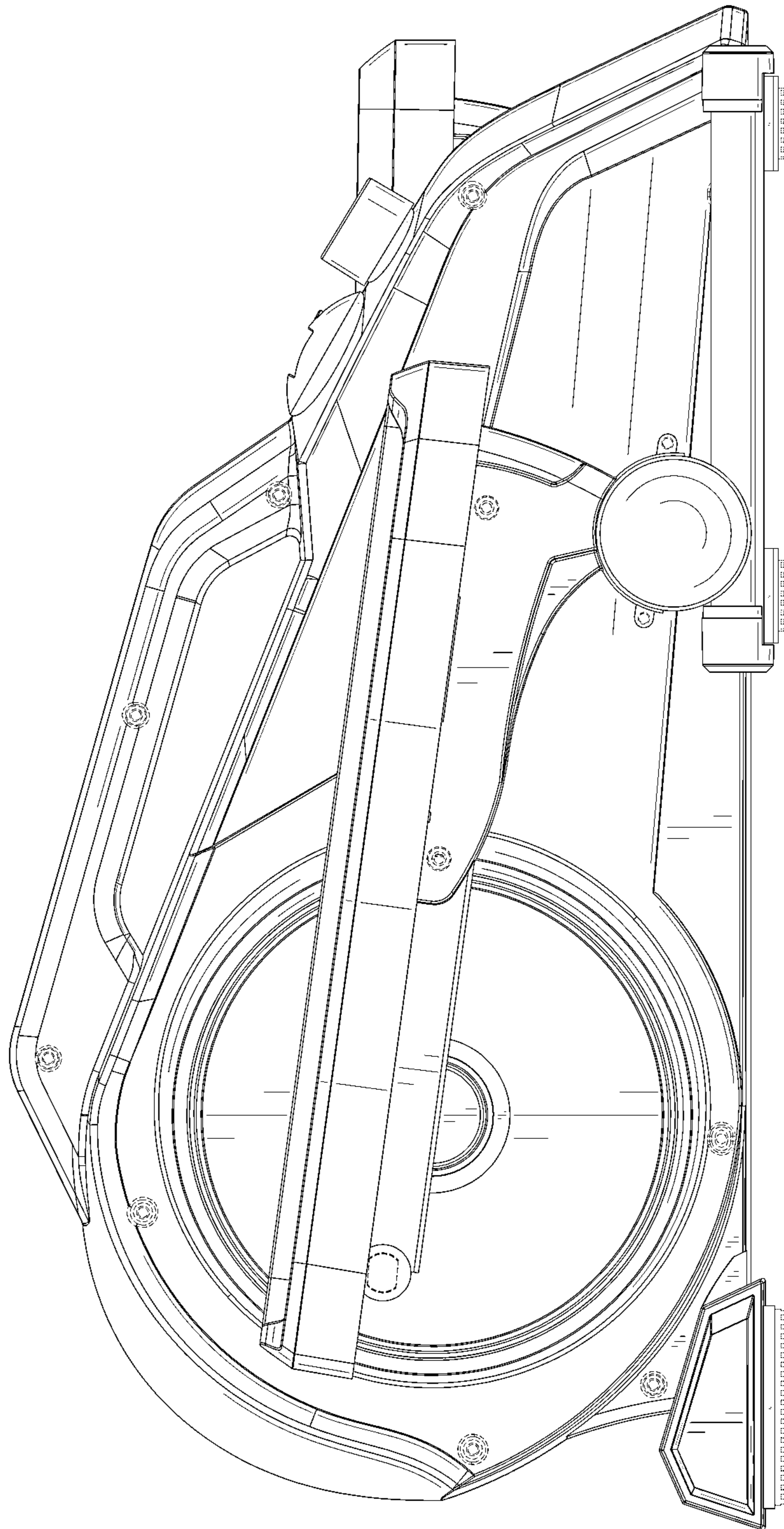


FIG. 5

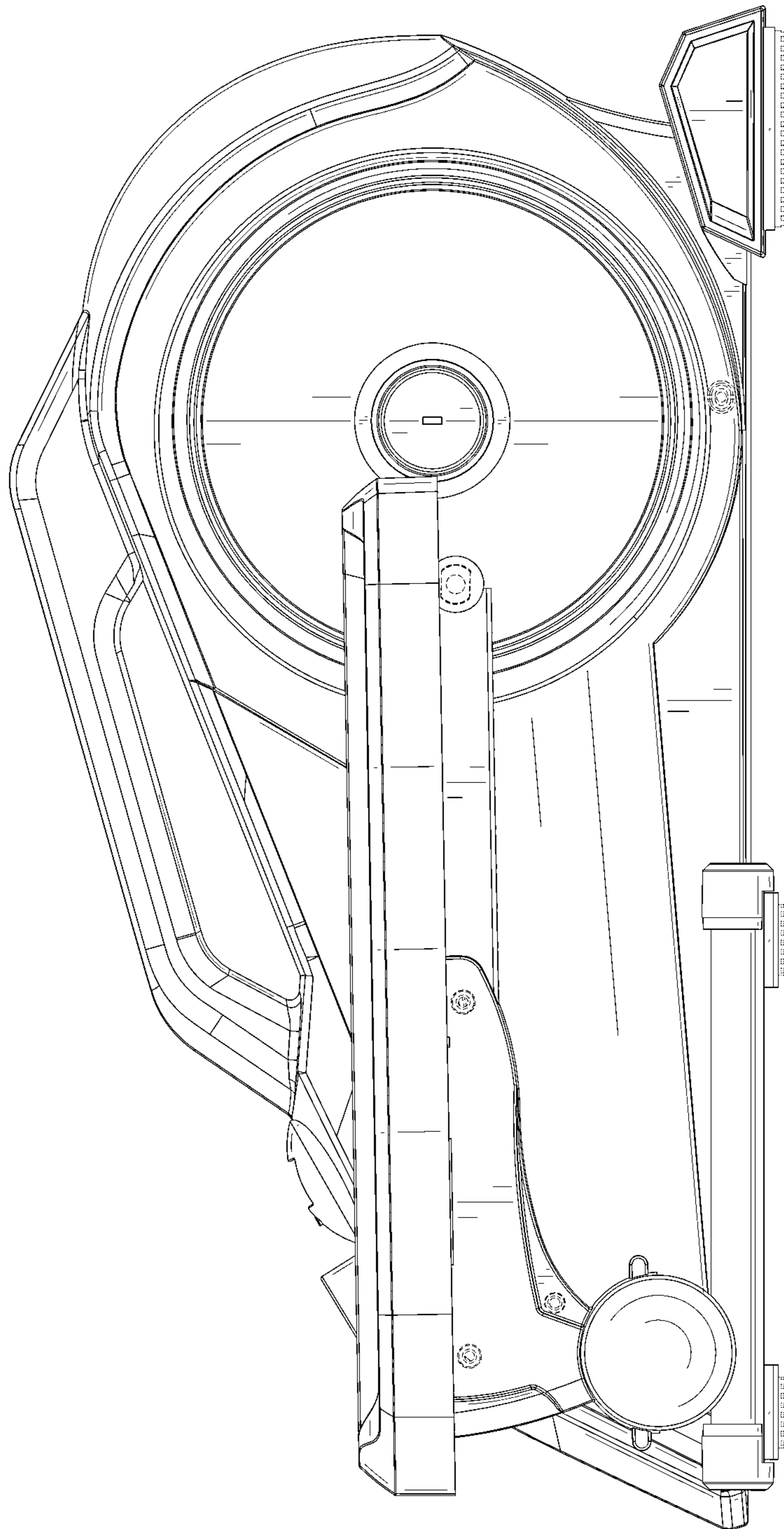


FIG. 6

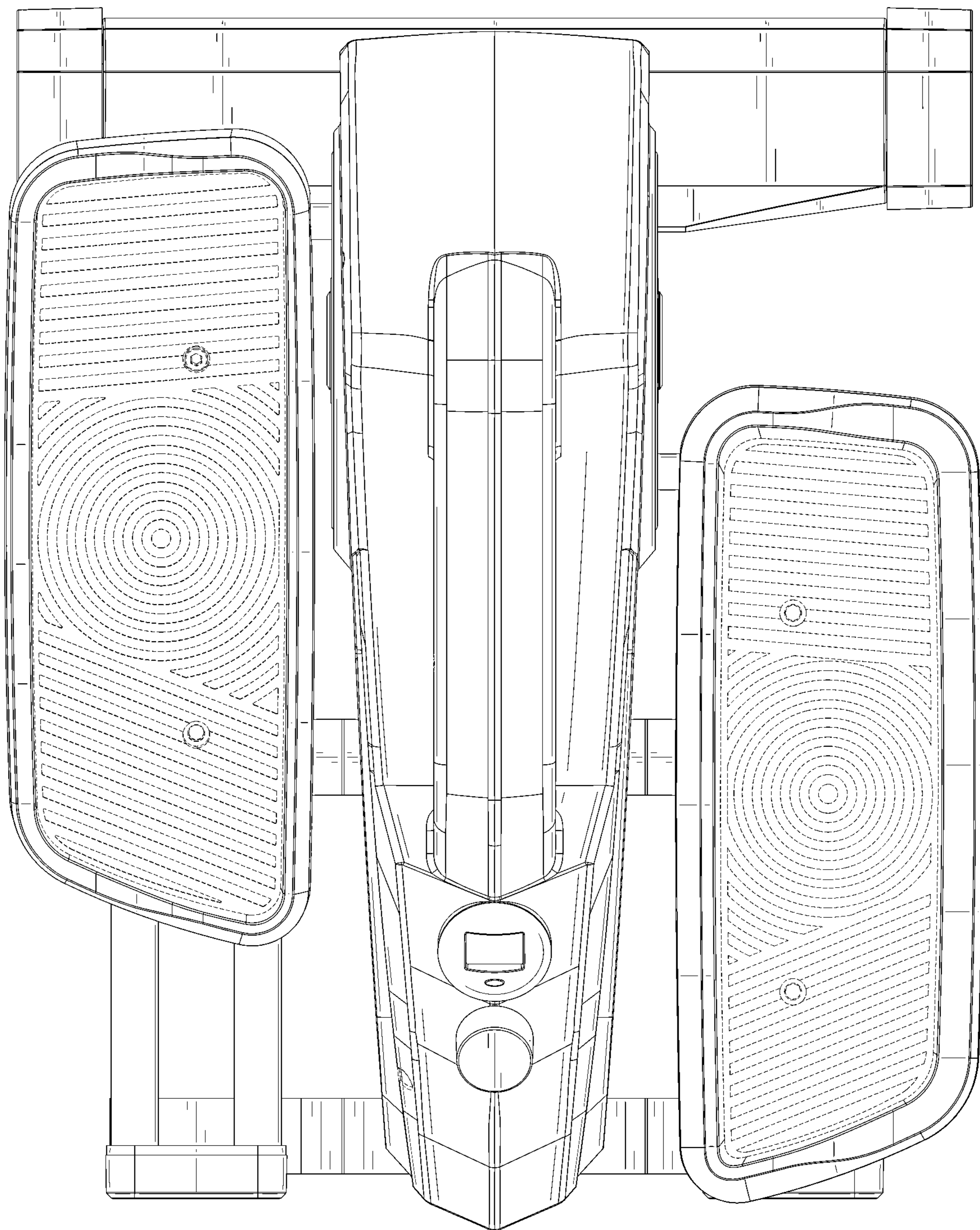


FIG. 7