



US00D958263S

(12) **United States Design Patent** (10) **Patent No.:** **US D958,263 S**
Li (45) **Date of Patent:** **** Jul. 19, 2022**

(54) **TOY GUN**

OTHER PUBLICATIONS

(71) Applicant: **Hongliang Li**, Guangdong (CN)

Yeebay Shooting Game Toy, Reviewed and online as early as Oct. 10, 2020 [online], [site visited Dec. 13, 2021]. Available from Internet: <URL:https://www.amazon.com/dp/B087FCMPWW/> (Year: 2020).*

(72) Inventor: **Hongliang Li**, Guangdong (CN)

(**) Term: **15 Years**

(Continued)

(21) Appl. No.: **29/794,395**

Primary Examiner — Cynthia M. Chin

(22) Filed: **Jun. 11, 2021**

(74) *Attorney, Agent, or Firm* — ScienBiziP, P.C.

(51) **LOC (13) Cl.** **21-01**

(57) **CLAIM**

(52) **U.S. Cl.**
USPC **D21/573**

The ornamental design for a toy gun, as shown and described.

(58) **Field of Classification Search**

DESCRIPTION

USPC D21/333, 570, 572–575; D14/418;
D22/100, 103
CPC F41B 7/00; F41B 7/003; F41B 7/08; F41B
9/00; F41B 9/0078; F41B 9/0081; F41B
11/89; A63H 5/04
See application file for complete search history.

FIG. 1 is a front, right, and top perspective view of a toy gun, showing my design.
FIG. 2 is a rear, left, and bottom perspective view thereof.
FIG. 3 is a front elevation view thereof.
FIG. 4 is a rear elevation view thereof.
FIG. 5 is a left side elevation view thereof.
FIG. 6 is a right side elevation view thereof.
FIG. 7 is a top plan view thereof.
FIG. 8 is a bottom plan view thereof.
FIG. 9 is a partial enlarged view taken from FIG. 1 showing protrusions on the magazine of the toy gun.
FIG. 10 is a partial enlarged view taken from FIG. 1 showing a decorative board on the side of the toy gun.
FIG. 11 is a partial enlarged view taken from FIG. 1 showing buttons on the scope of the toy gun; and,
FIG. 12 is a partial enlarged view taken from FIG. 2 showing the grip of the toy gun.
The dash-dot broken lines represent the boundaries of the enlarged partial views of FIGS. 9-12. All other broken lines represent portions of the toy gun that form no part of the claimed design. None of the broken lines form a part of the claim.

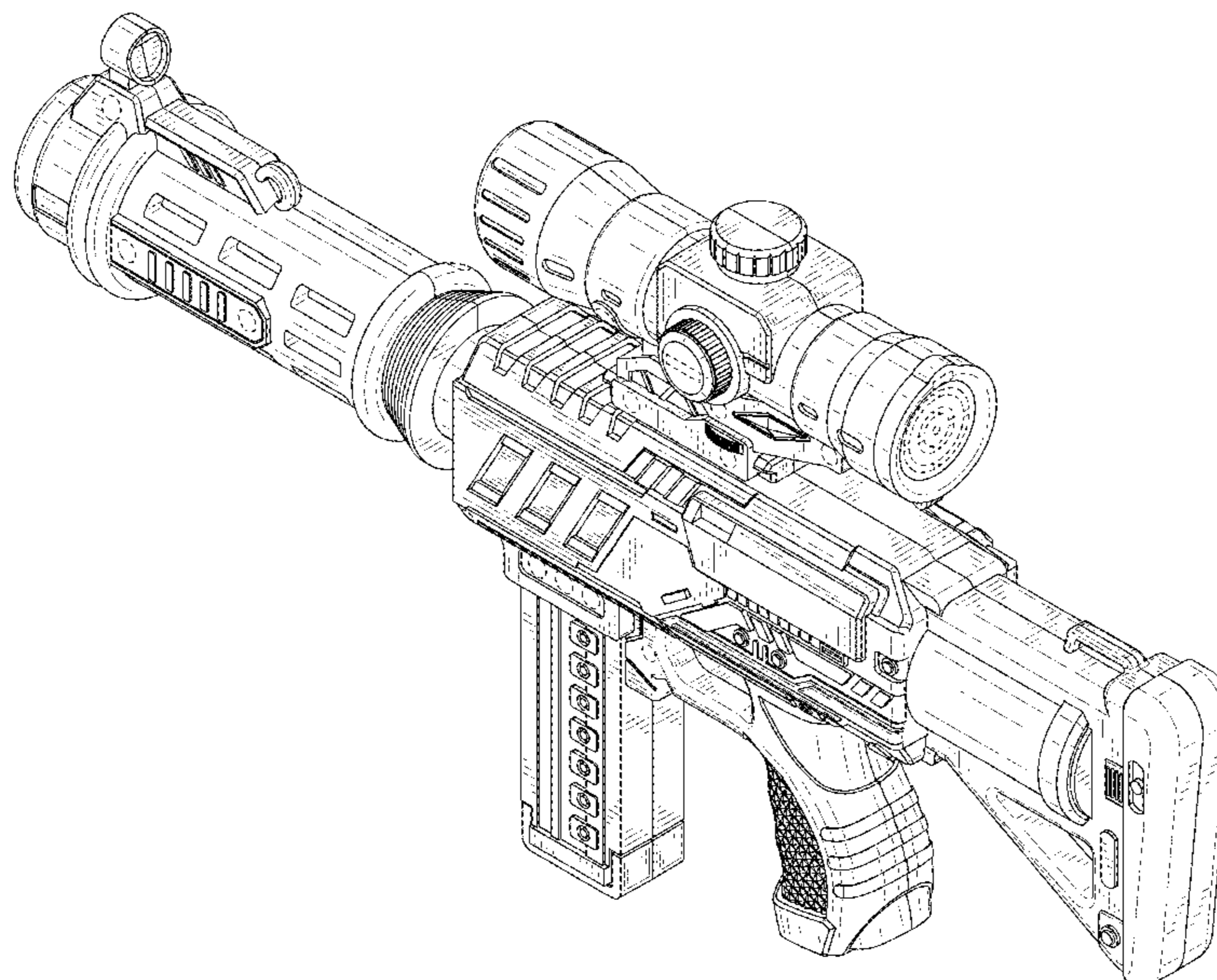
(56) **References Cited**

U.S. PATENT DOCUMENTS

5,377,655	A *	1/1995	Arad	F41B 11/55 124/66
D396,068	S *	7/1998	Chikui	D21/385
D646,281	S *	10/2011	Markowitz	D21/333
D693,347	S *	11/2013	Augustin, Jr.	D14/418
D693,811	S *	11/2013	Augustin, Jr.	D14/418
D786,986	S *	5/2017	Su	D21/570
D832,370	S *	10/2018	Chen	D21/573
D846,038	S	4/2019	Lin		
D908,816	S	1/2021	Cheng		
D928,901	S *	8/2021	Ren	D21/574
D947,291	S *	3/2022	Wu	D21/573
2004/0255921	A1 *	12/2004	Mitchell	F41B 11/641 124/45
2008/0022990	A1 *	1/2008	Mitchell	F41B 11/641 124/65

(Continued)

1 Claim, 12 Drawing Sheets



(56)

References Cited

U.S. PATENT DOCUMENTS

2011/0271940 A1* 11/2011 Meggs F42B 12/745
124/56
2017/0356716 A1* 12/2017 Mitchell F41B 11/89

OTHER PUBLICATIONS

OleFun Shooting Game Toy, Reviewed and online as early as Dec. 18, 2020,[online], [site visited Dec. 13, 2021]. Available from Internet: <URL:https://www.amazon.com/dp/B087CWWLYM/> (Year: 2020).*

* cited by examiner

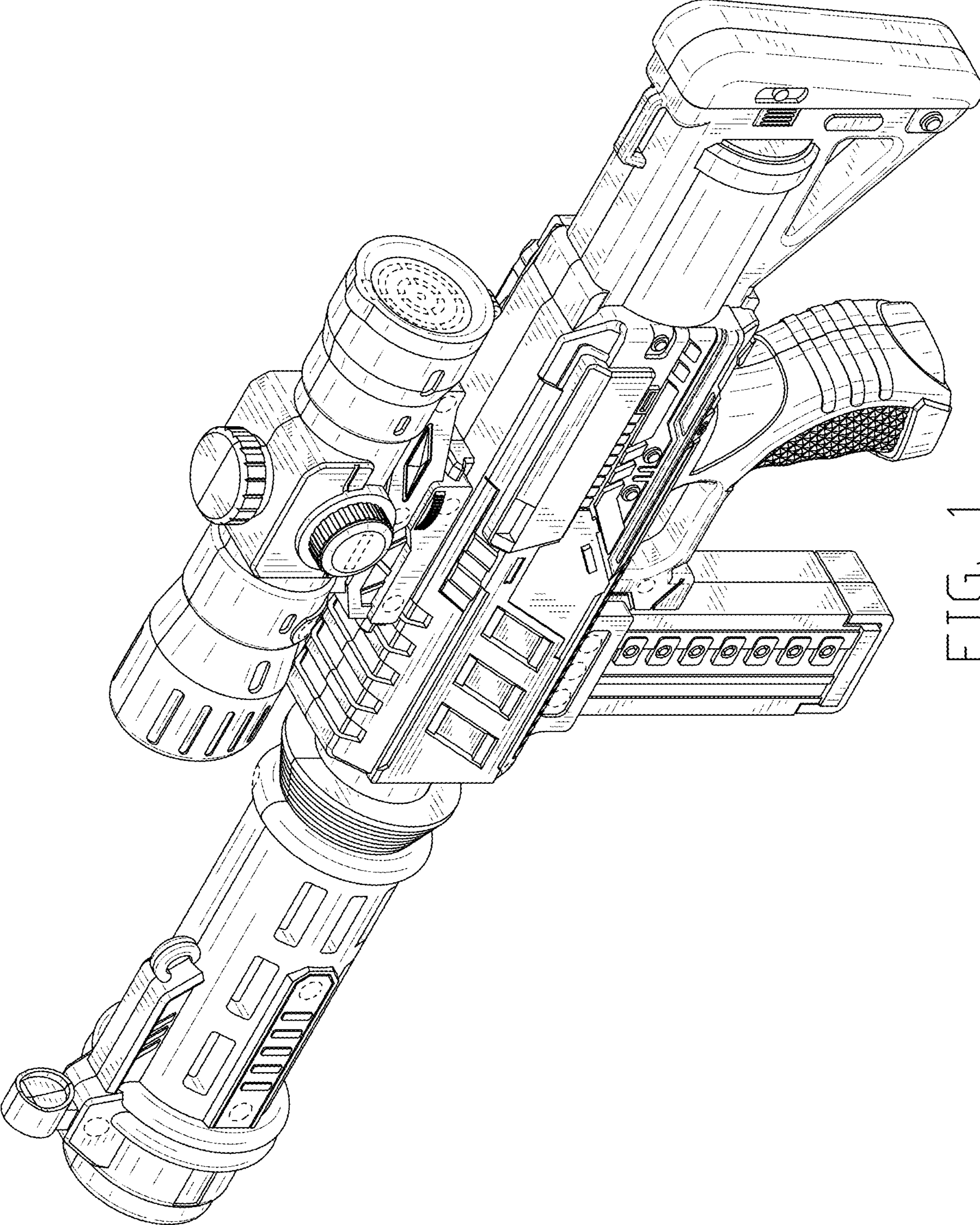


FIG. 1

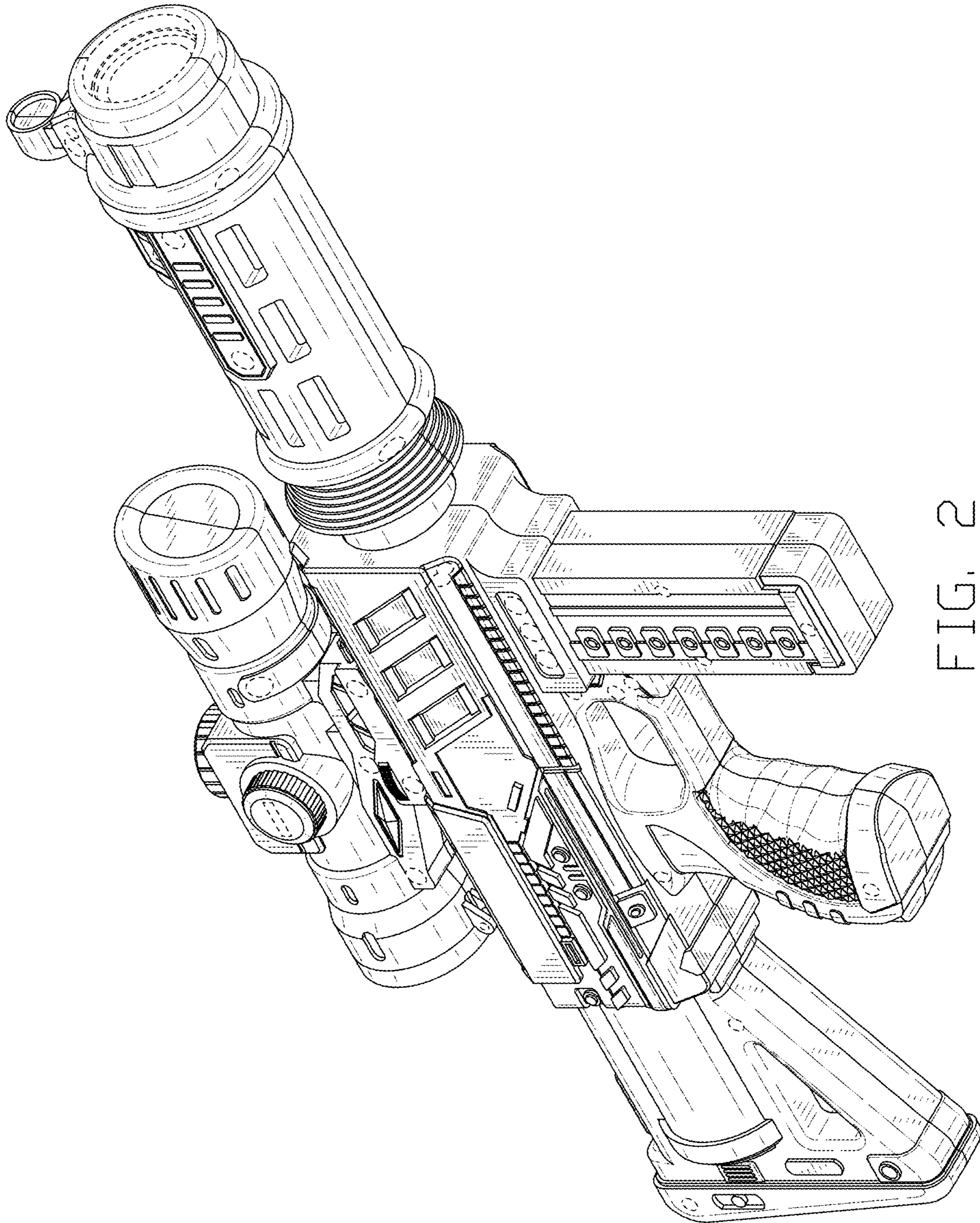


FIG. 2

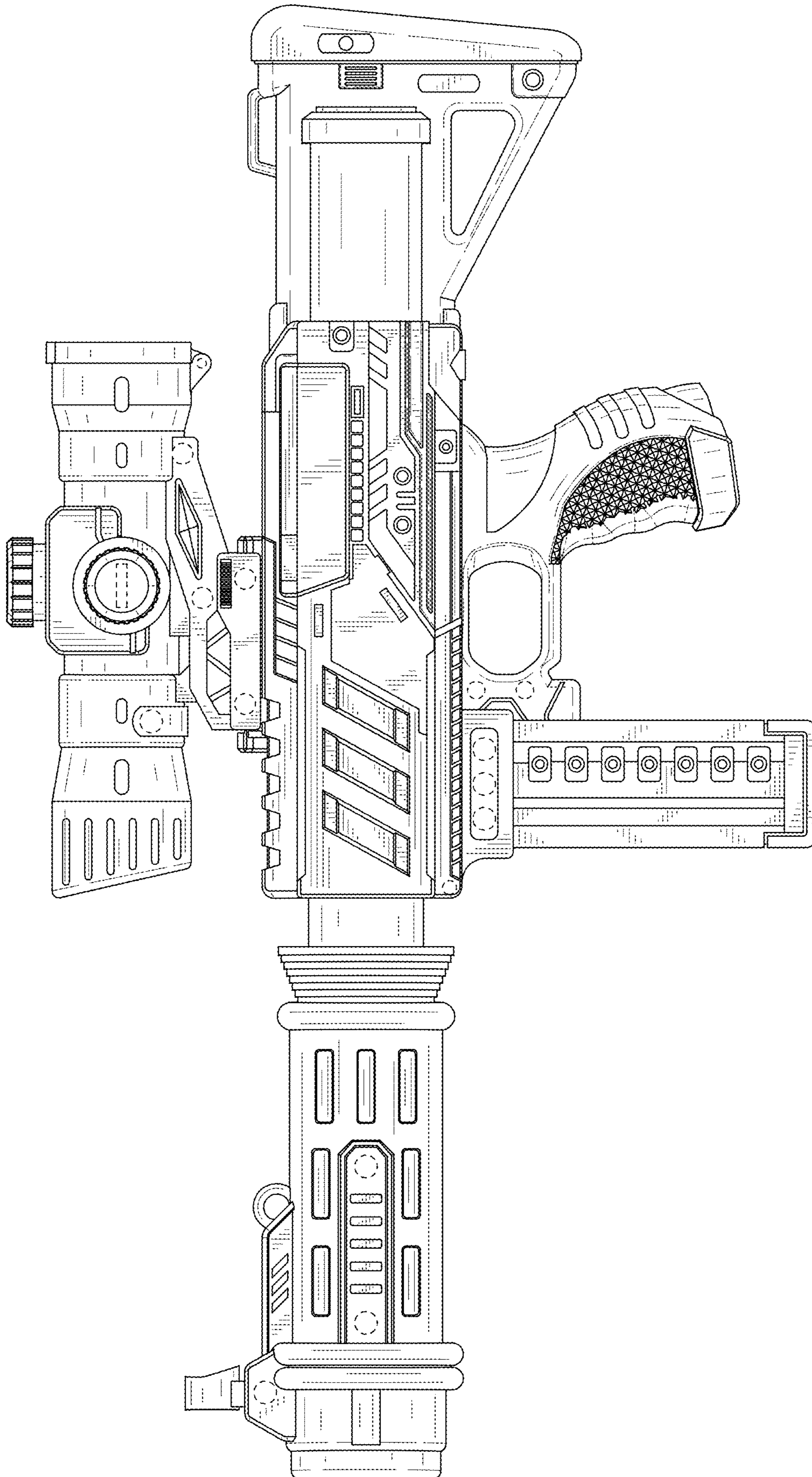


FIG. 3

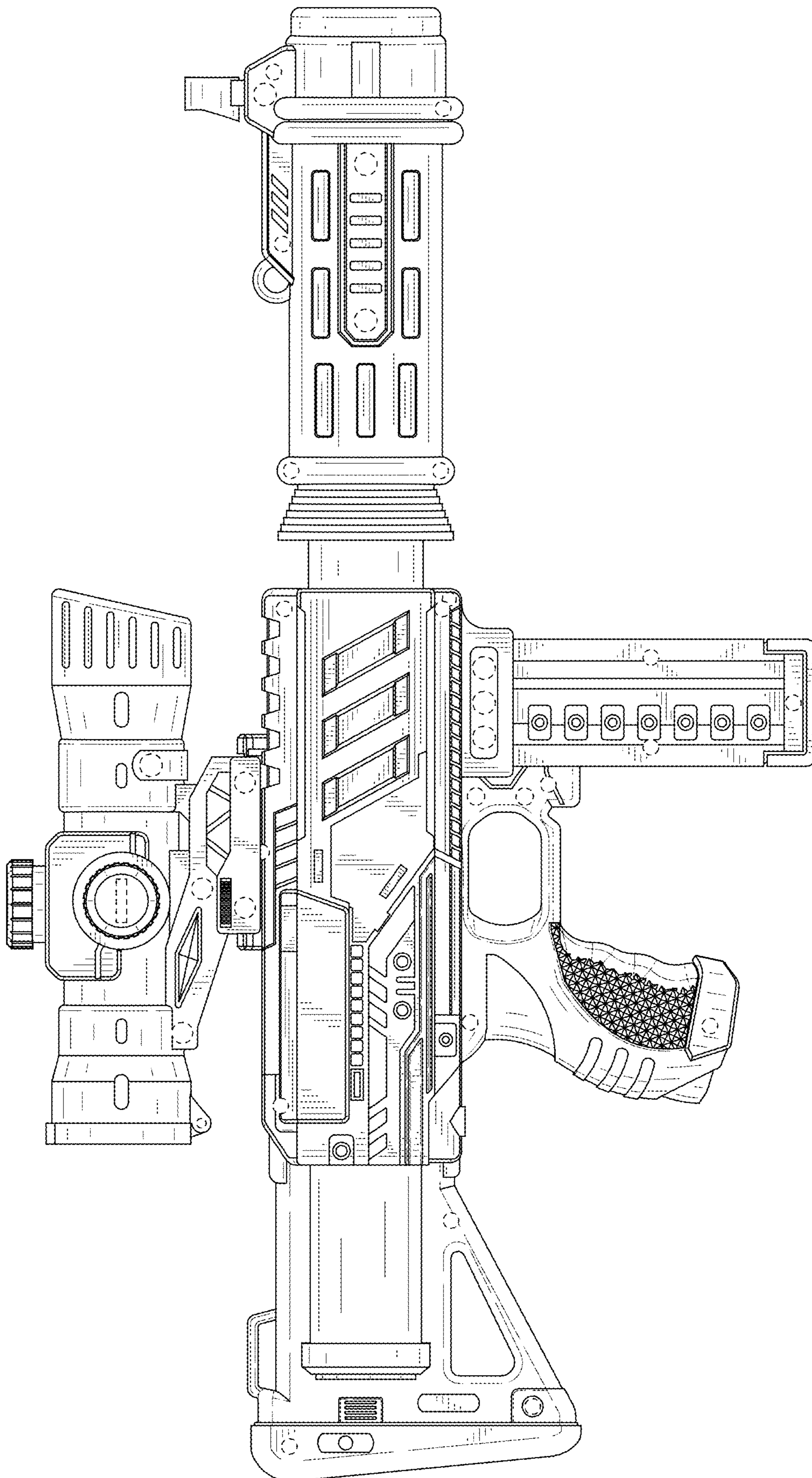


FIG. 4

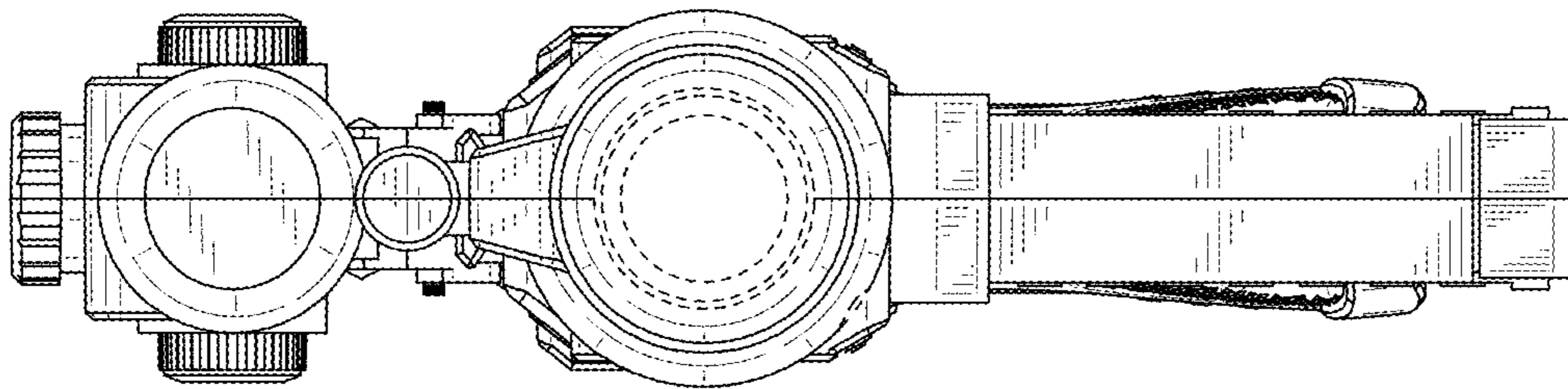


FIG. 5

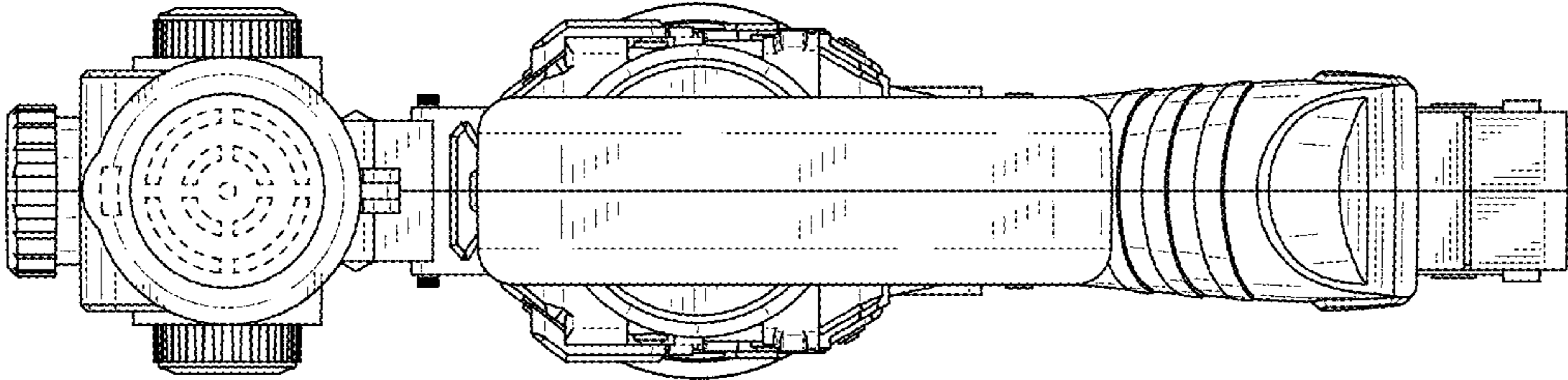


FIG. 6

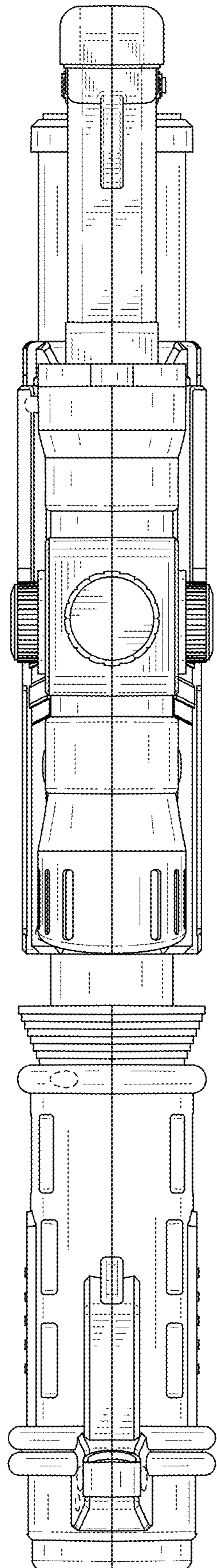


FIG. 7

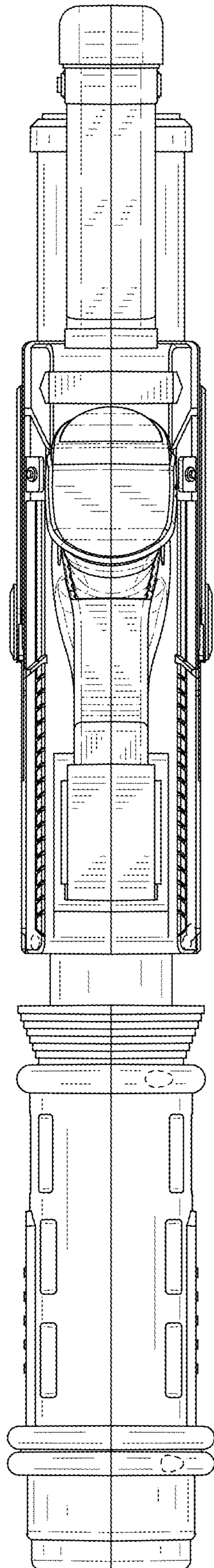


FIG. 8

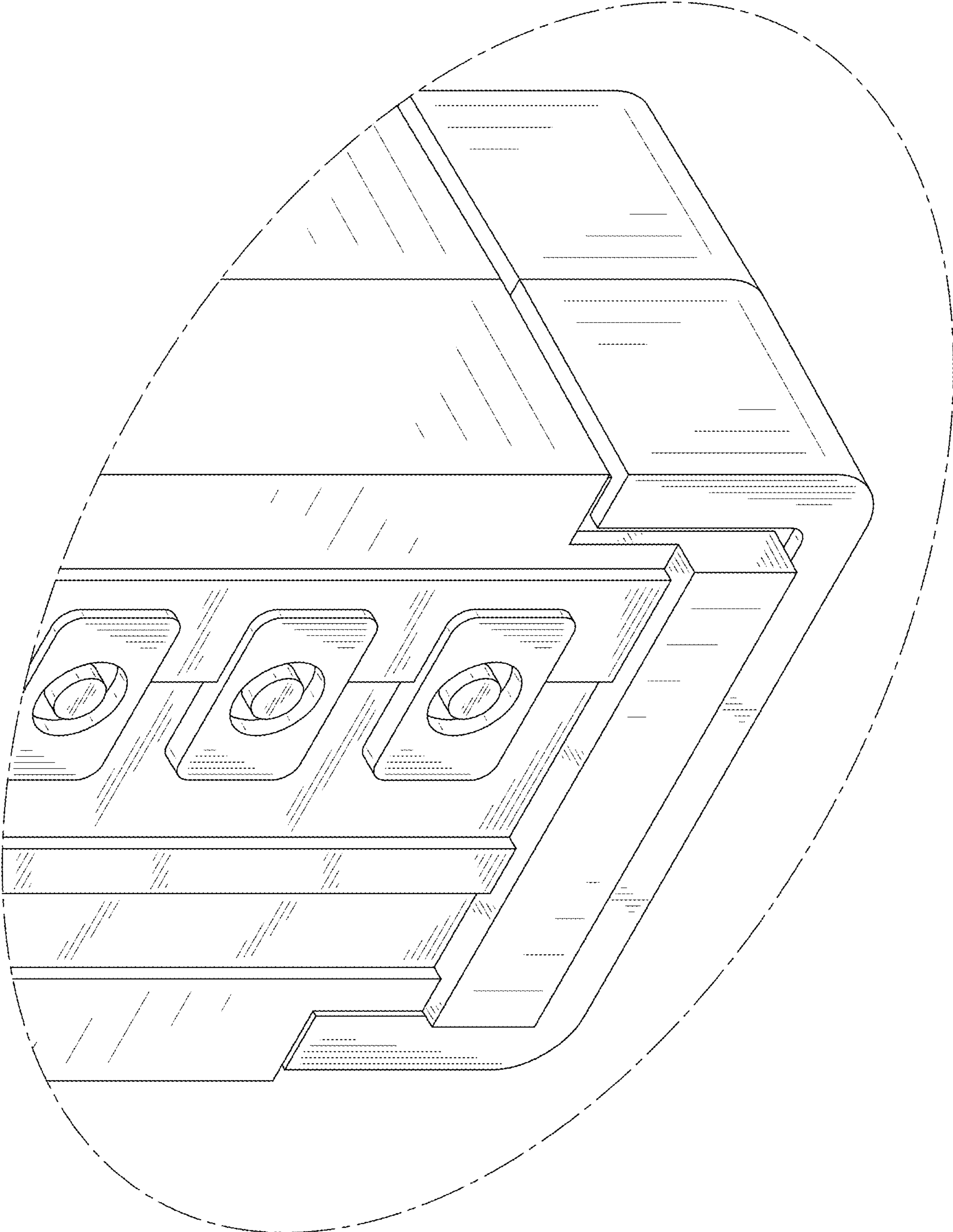


FIG. 9

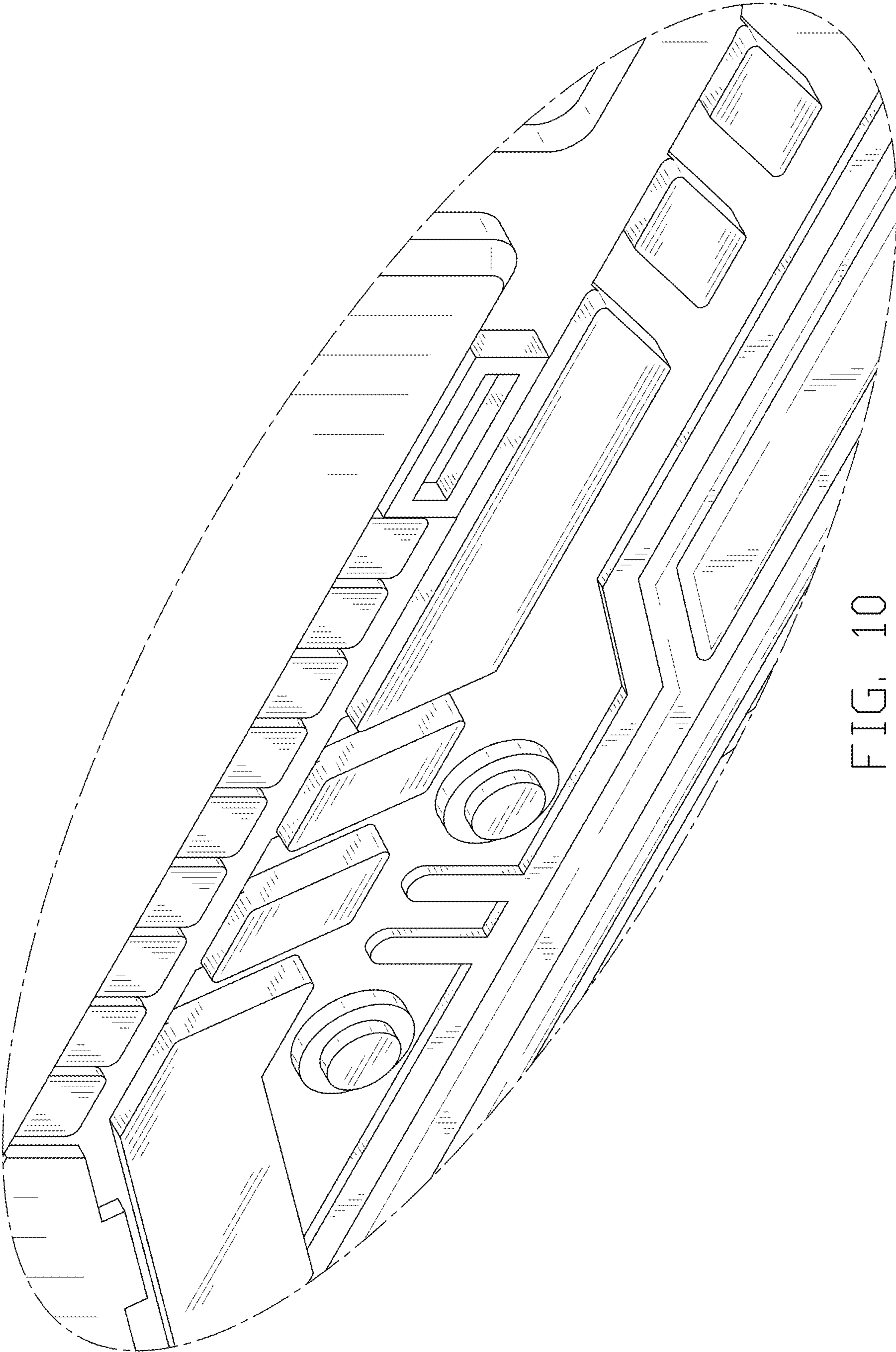


FIG. 10

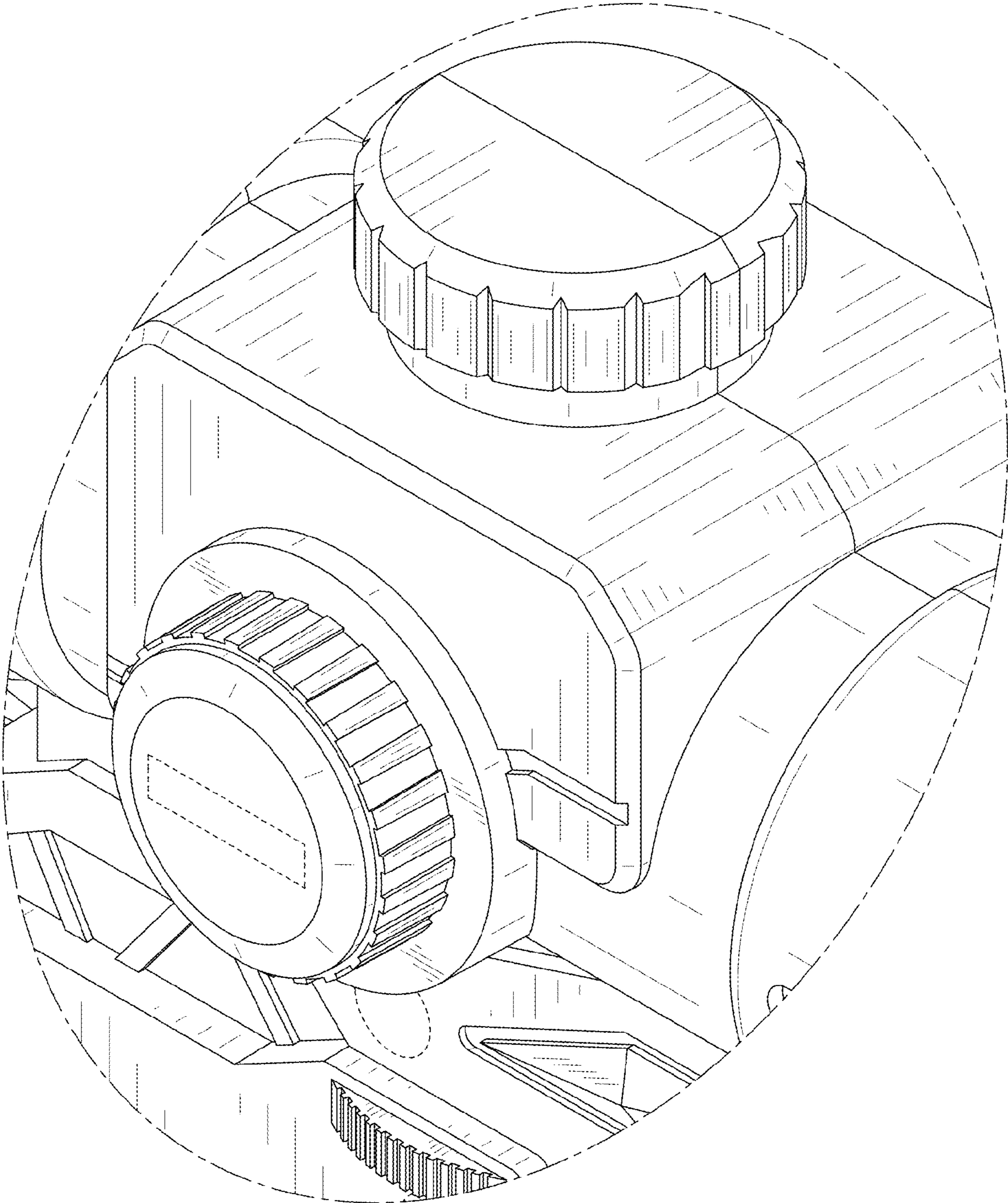


FIG. 11

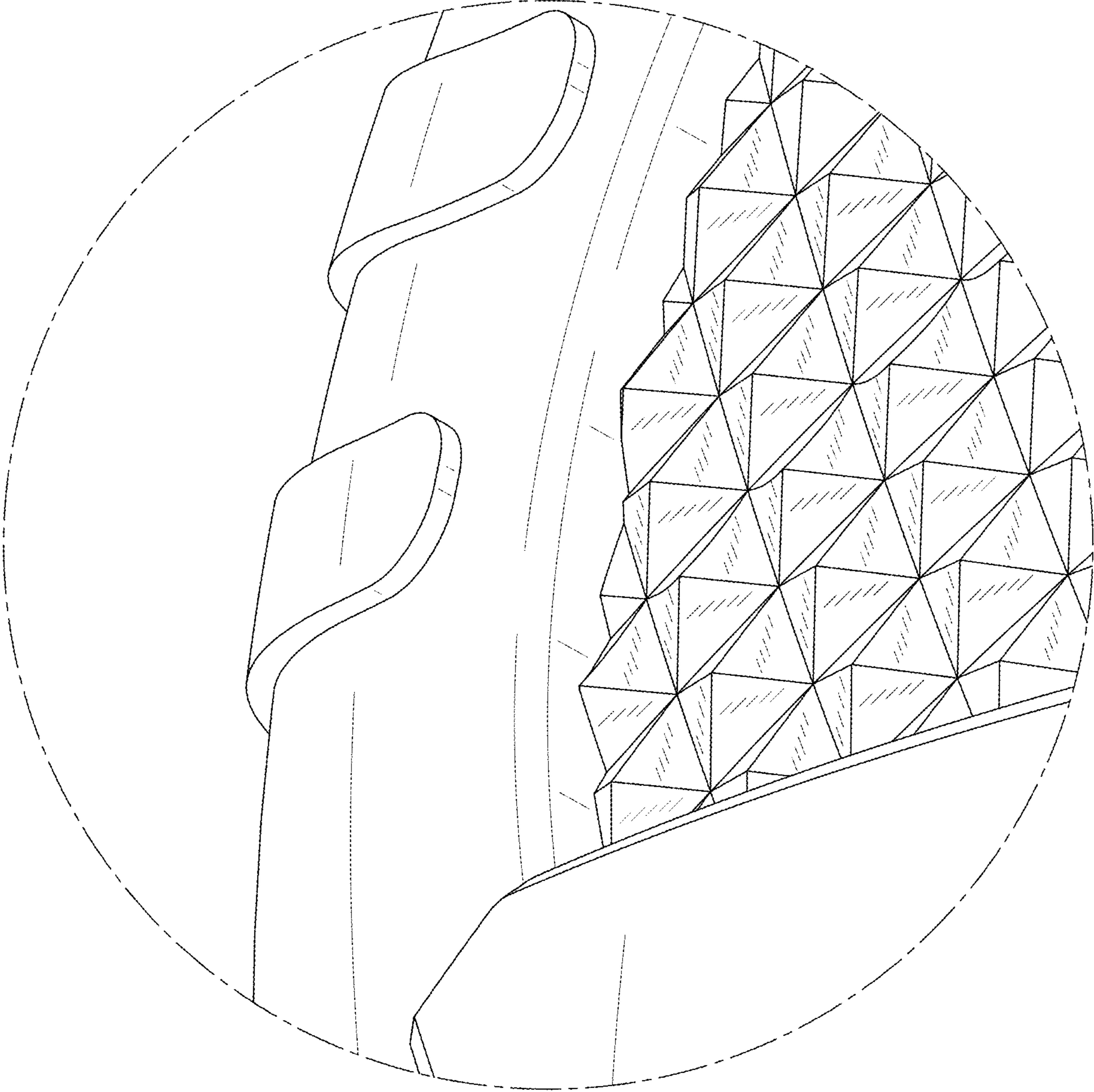


FIG. 12