



US00D958261S

(12) **United States Design Patent** (10) **Patent No.:** **US D958,261 S**
Brous (45) **Date of Patent:** **** Jul. 19, 2022**

(54) **SPINNING DISC AND SPINDLE TOY**

(71) Applicant: **Todd N. Brous**, Great Neck, NY (US)

(72) Inventor: **Todd N. Brous**, Great Neck, NY (US)

(73) Assignee: **WIST WORK, LLC**, Great Neck, NY (US)

(**) Term: **15 Years**

(21) Appl. No.: **29/673,428**

(22) Filed: **Dec. 14, 2018**

Related U.S. Application Data

(60) Division of application No. 29/642,541, filed on Mar. 30, 2018, now Pat. No. Des. 843,488, which is a (Continued)

(51) **LOC (13) Cl.** **21-01**

(52) **U.S. Cl.**
USPC **D21/455**

(58) **Field of Classification Search**
USPC D21/455-464; D15/139; D8/70, 387; 446/103, 236-266; 74/425, 458, 500, (Continued)

(56) **References Cited**

U.S. PATENT DOCUMENTS

931,901 A * 8/1909 Towne A63H 1/06 446/241
1,216,775 A * 2/1917 Conradson F16H 1/16 74/425

(Continued)

FOREIGN PATENT DOCUMENTS

CN 301557519 * 5/2011
CN 302061112 * 9/2012

(Continued)

OTHER PUBLICATIONS

Hobby Motorizing Parts Worm Gear Set shown on webpage: <https://web.archive.org/web/20160517094343/http://hobbymasters.com/stevens-assorted-plastic-worm-gear-set-12pcs/> Web Archive capture date: May 17, 2016 [Accessed May 19, 2018] (Year: 2016).*

(Continued)

Primary Examiner — Catherine A Tuttle

(74) *Attorney, Agent, or Firm* — Dunlap Bennett & Ludwig, PLLC

(57) **CLAIM**

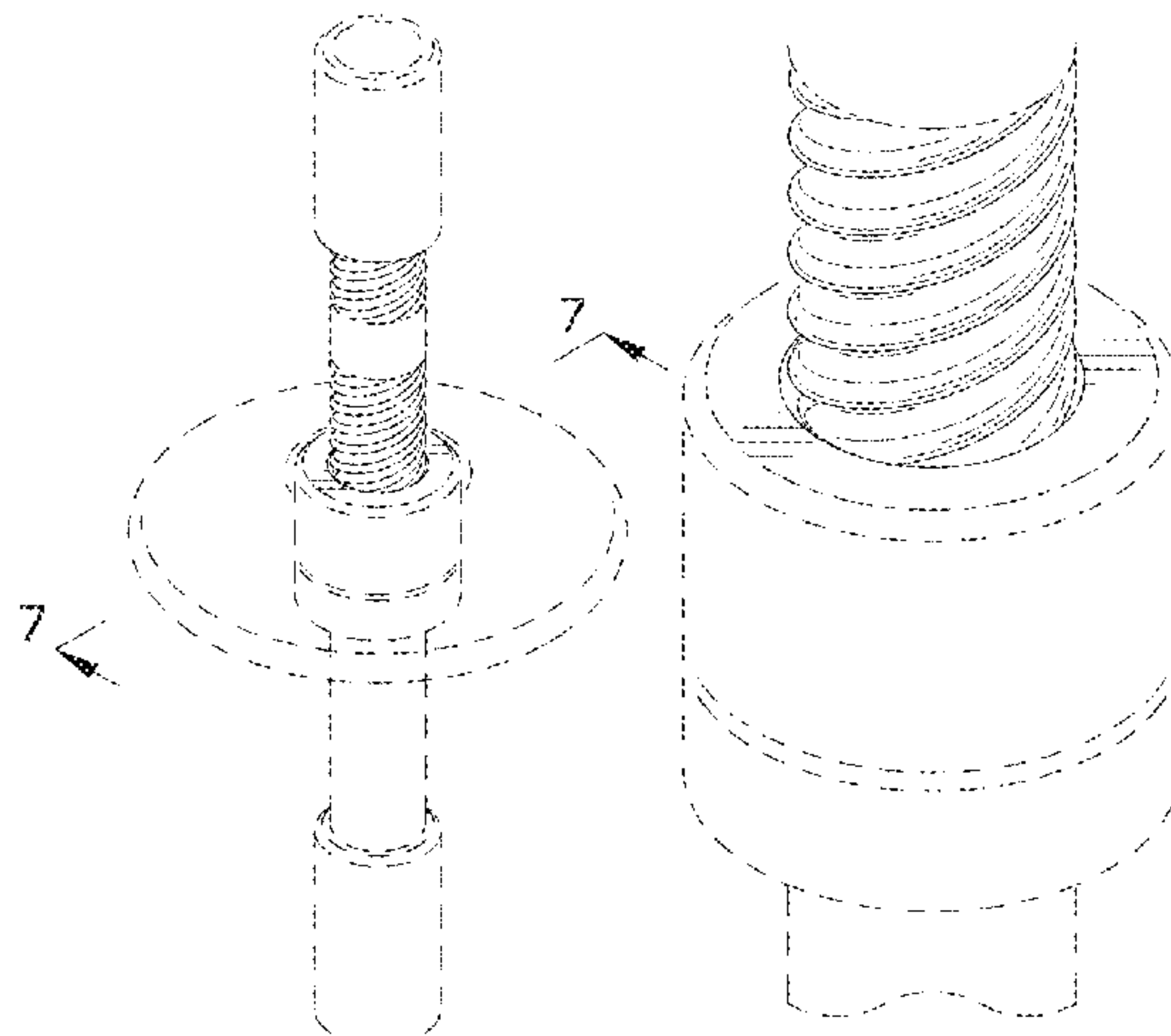
The ornamental design for a spinning disc and spindle toy, as shown and described.

DESCRIPTION

FIG. 1 is a top front perspective view of a first embodiment of a spinning disc and spindle toy, showing my design; FIG. 2 is a top plan view thereof; FIG. 3 is a bottom plan view thereof; FIG. 4 is a front elevation view thereof, the rear elevation view being a mirror image thereof; FIG. 5 is a right elevation view thereof, the left elevation view being a mirror image thereof; FIG. 6 is an enlarged detail view of FIG. 1; FIG. 7 is a cross sectional view taken along line 7-7 of FIG. 1; FIG. 8 is a top front perspective view of a second embodiment of the spinning disc and spindle toy, showing my design; FIG. 9 is a top plan view thereof; FIG. 10 is a bottom plan view thereof; FIG. 11 is a front elevation view thereof, the rear elevation view being a mirror image thereof; FIG. 12 is a right elevation view thereof, the left elevation view being a mirror image thereof; FIG. 13 is an enlarged detail view of FIG. 8; and, FIG. 14 is a cross sectional view taken along line 14-14 of FIG. 8.

The even length dashed lines in the drawings depict portions of the spinning disc and spindle toy that form no part of the claimed design. The alternating length dashed lines in the

(Continued)



drawings depict the boundary of the claimed invention; and it is understood that the claim invention extends to the boundary that forms no part of the claimed design.

1 Claim, 2 Drawing Sheets

Related U.S. Application Data

continuation-in-part of application No. 15/727,658, filed on Oct. 9, 2017, now abandoned.

(58) **Field of Classification Search**

USPC 74/505, 507, 509, 10.8, 89.14, 724, 74/665 GD, 424.5, 425.5, 426, 427, 499

CPC A63H 1/00-32; A63H 11/04; A63H 13/20; A63H 31/02

See application file for complete search history.

(56) **References Cited**

U.S. PATENT DOCUMENTS

1,415,016 A * 5/1922 Brown B23F 13/04
451/219
1,683,758 A * 9/1928 Candee B23F 15/06
74/416
1,971,260 A * 8/1934 James F16H 55/22
74/458
2,417,565 A * 3/1947 Norvell A63B 65/12
446/241
2,717,983 A * 9/1955 Fay H03J 1/06
336/131
2,961,796 A * 11/1960 Davis A63H 33/22
273/109
D246,130 S * 10/1977 Koblick D21/466
4,279,173 A * 7/1981 Krebs F16H 25/2006
74/409
D260,103 S * 8/1981 Appel D11/157
4,440,399 A * 4/1984 Smith A63B 63/06
273/348.4
4,618,297 A * 10/1986 Bishop B23F 3/00
409/58
5,099,805 A * 3/1992 Ingalls F01L 1/042
123/90.15
5,219,146 A * 6/1993 Thompson F16K 7/061
251/7
5,735,724 A * 4/1998 Udagawa A63H 13/20
40/409
5,827,107 A * 10/1998 Bears A63H 1/20
446/263
6,592,423 B1 * 7/2003 Boyle A63H 33/22
362/323
7,866,225 B2 * 1/2011 Oberle B60N 2/067
74/427

8,567,280 B2 * 10/2013 Bogar F16H 1/163
74/424.5
8,794,087 B2 * 8/2014 Wu F16H 25/2015
74/424.71
D796,563 S * 9/2017 Sharivker D15/139
2002/0139210 A1 * 10/2002 Blanchard F16H 1/16
74/425
2003/0031497 A1 * 2/2003 Ohba A45D 40/04
401/88
2004/0129102 A1 * 7/2004 Rennen F02D 9/1065
74/425
2008/0099615 A1 * 5/2008 Steiner B64C 1/1484
244/129.3
2009/0304478 A1 * 12/2009 Jung F16B 39/30
411/246
2012/0097505 A1 * 4/2012 Berger B65G 21/16
198/836.3
2012/0192668 A1 * 8/2012 Hsu F16H 25/2214
74/424.89
2013/0178131 A1 * 7/2013 Wudtke A63H 13/00
446/129
2015/0217676 A1 * 8/2015 Tajima B60Q 1/076
74/89.14

FOREIGN PATENT DOCUMENTS

CN 303842563 * 9/2016
DE 360879 C * 10/1922 A63H 1/06
DE 29515347 U1 * 11/1995 A63H 1/00
DE 102015209600 A1 * 12/2016 F16H 25/2204
GB 434382 A * 8/1935 F16K 27/04
KR 300885380.0000 * 12/2016

OTHER PUBLICATIONS

OJADE Magnetic Mechanics Gravity Moondrop Fidget Spinner Toys (3PCS). (n.d.). Retrieved Mar. 29, 2018, from <http://www.dx.com/p/ojade-magnetic-mechanics-gravity-moondrop-fidget-spinner-toys-3pcs-467958#.WoH3O6inGUk> (Year: 2018).*

Fat Brain Toys Kids Spinagain Toy: Toys & Games, (n.d.). Retrieved Mar. 29, 2018, from <https://www.amazon.com/Fat-Brain-Toys-Kids-Spinagain/dp/B016F5QJQW> (Year: 2018).*

Ball Screw Sfu3205 Standard Accuracy Ball Screw Set With End Machining (n.d.). Retrieved Mar. 29, 2018, from https://www.alibaba.com/product-detail/Ball-Screw-SFU3205-Standard-Accuracy-Ball_60705084571.ht (Year: 2018).*

Nut Off Bolt Screw Close Up Magic Trick Micro Psychic Rotating, (n.d.). Retrieved Mar. 29, 2018, from https://www.banggood.com/Nut-Off-Bolt-Screw-Close-Up-Magic-Trick-Micro-Psychic-Rotating-p-922768.html?cur_warehouse=CN (Year: 2018).*

Dryspin®—ACME—Trapezoidal (Metric ACME)—High Helix, (n.d.). Retrieved Mar. 29, 2018, from https://www.igus.com/wpck/17082/drylin_trapezgewindemutter#section_3 (Year: 2018).*

* cited by examiner

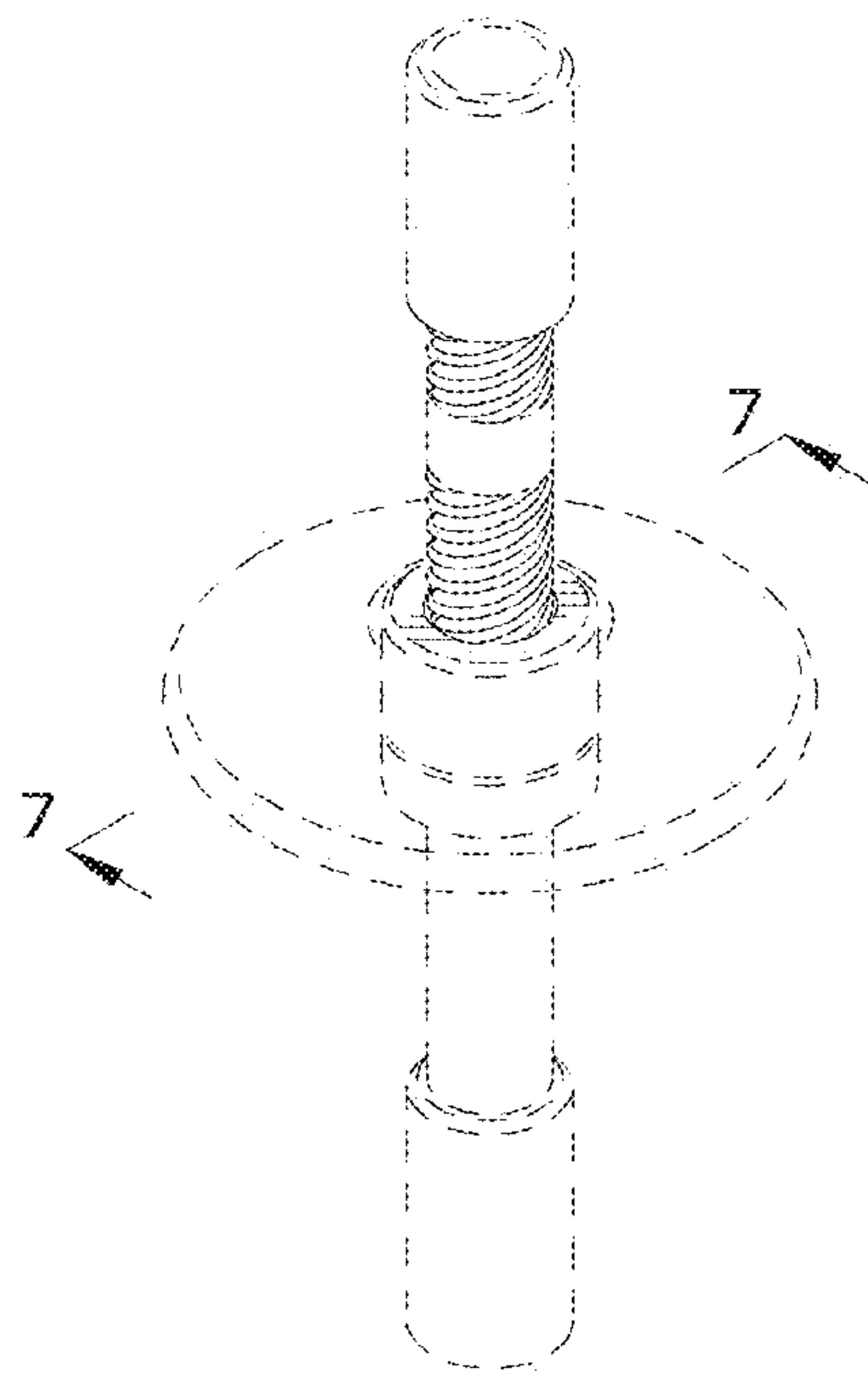


FIG. 1

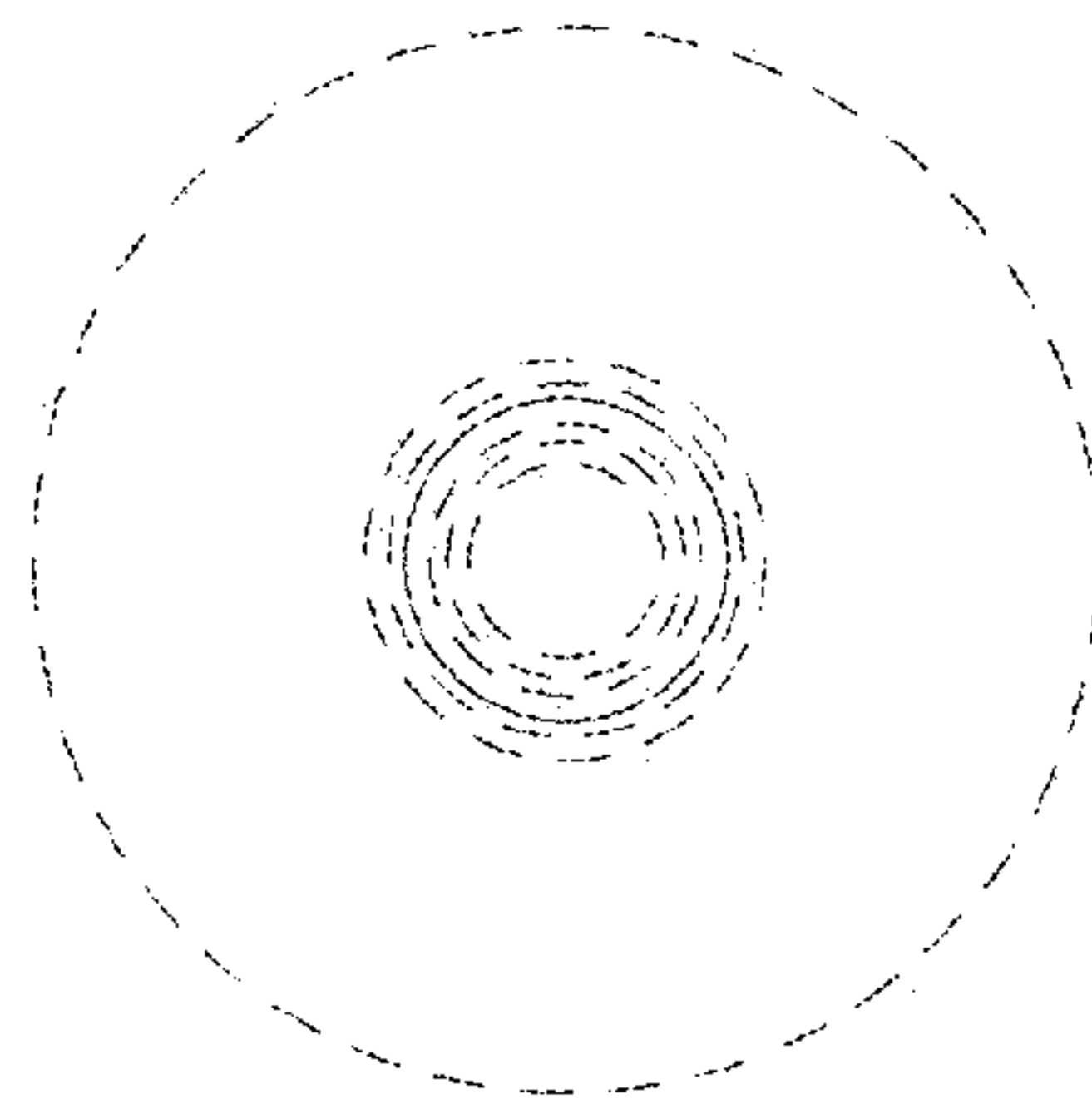


FIG. 2

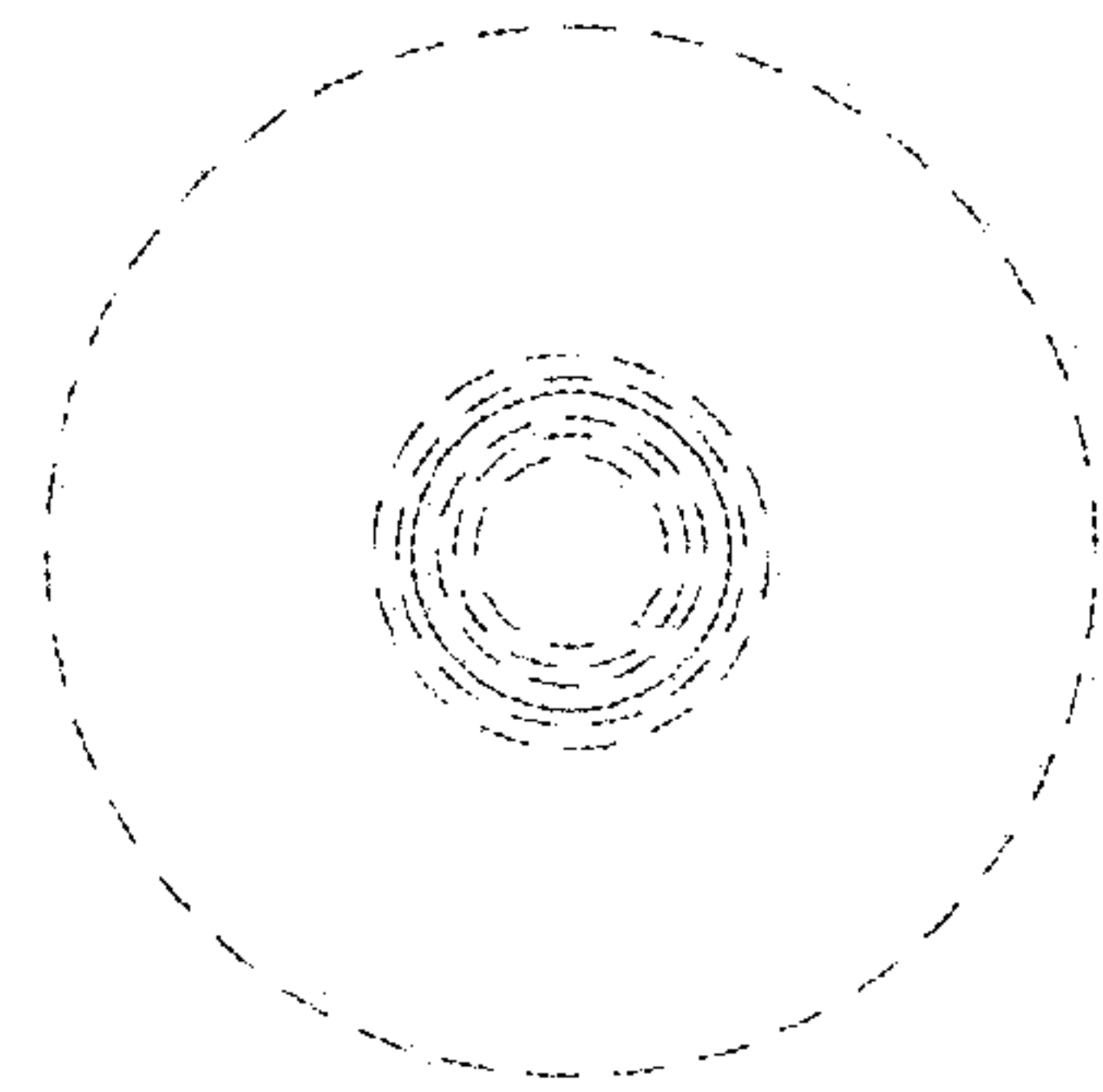


FIG. 3

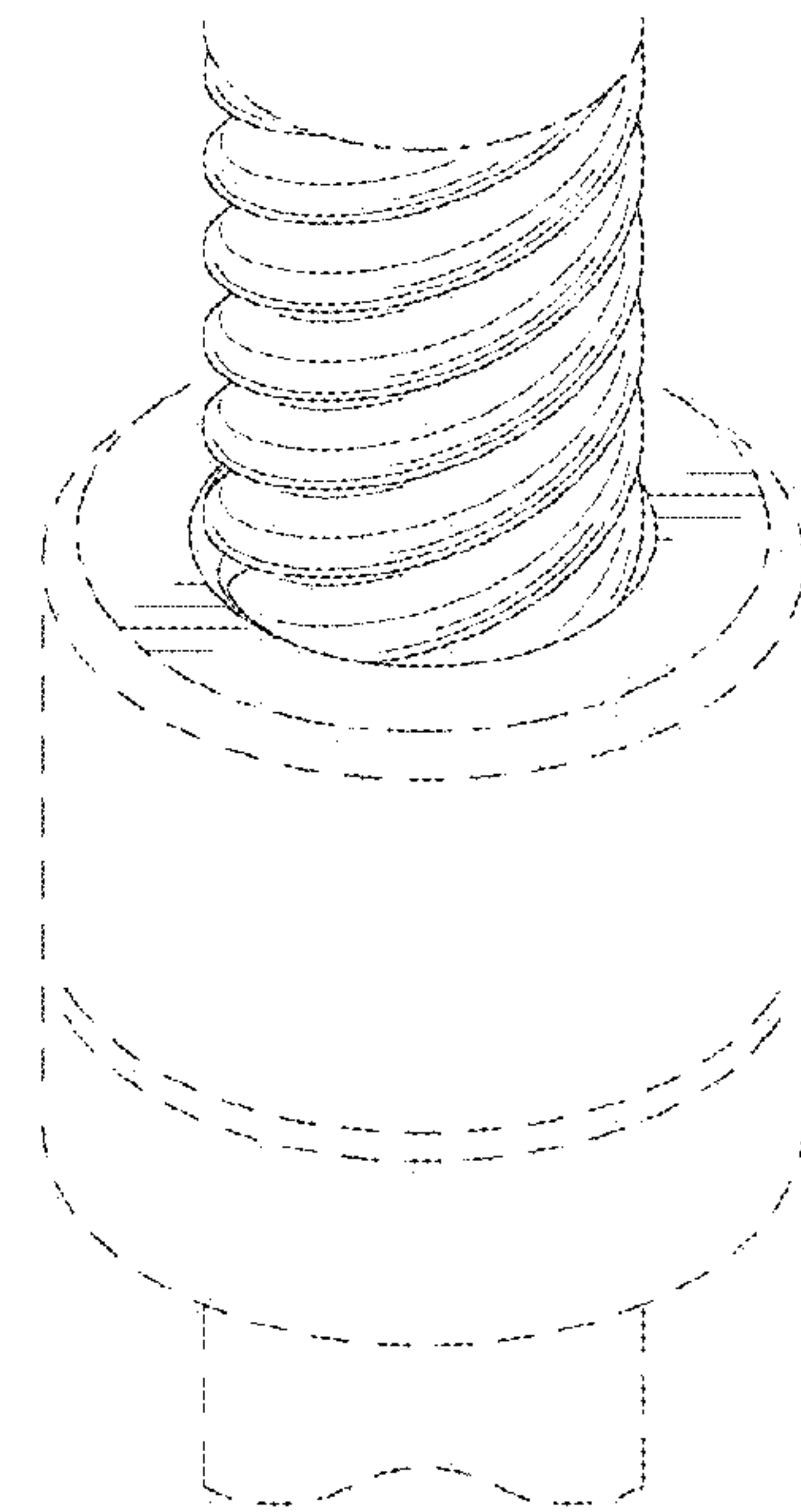


FIG. 6

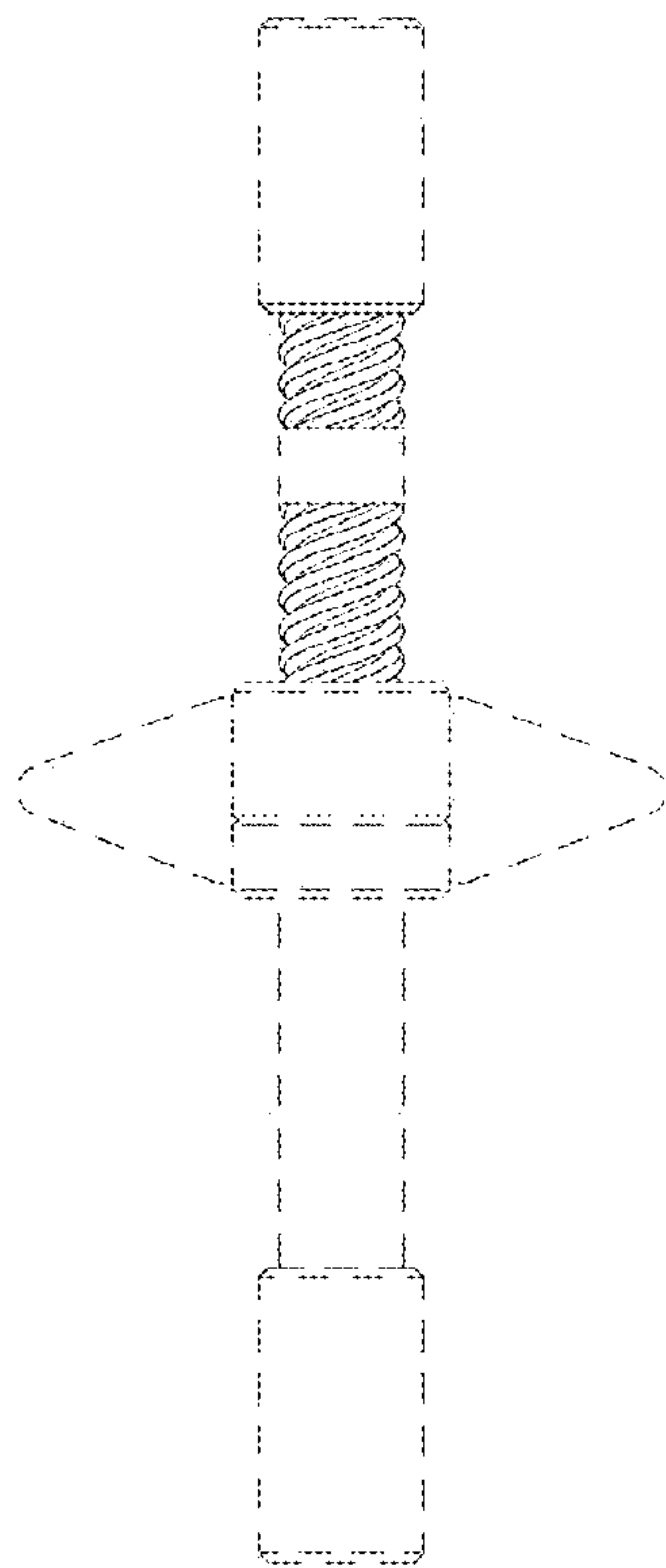


FIG. 4

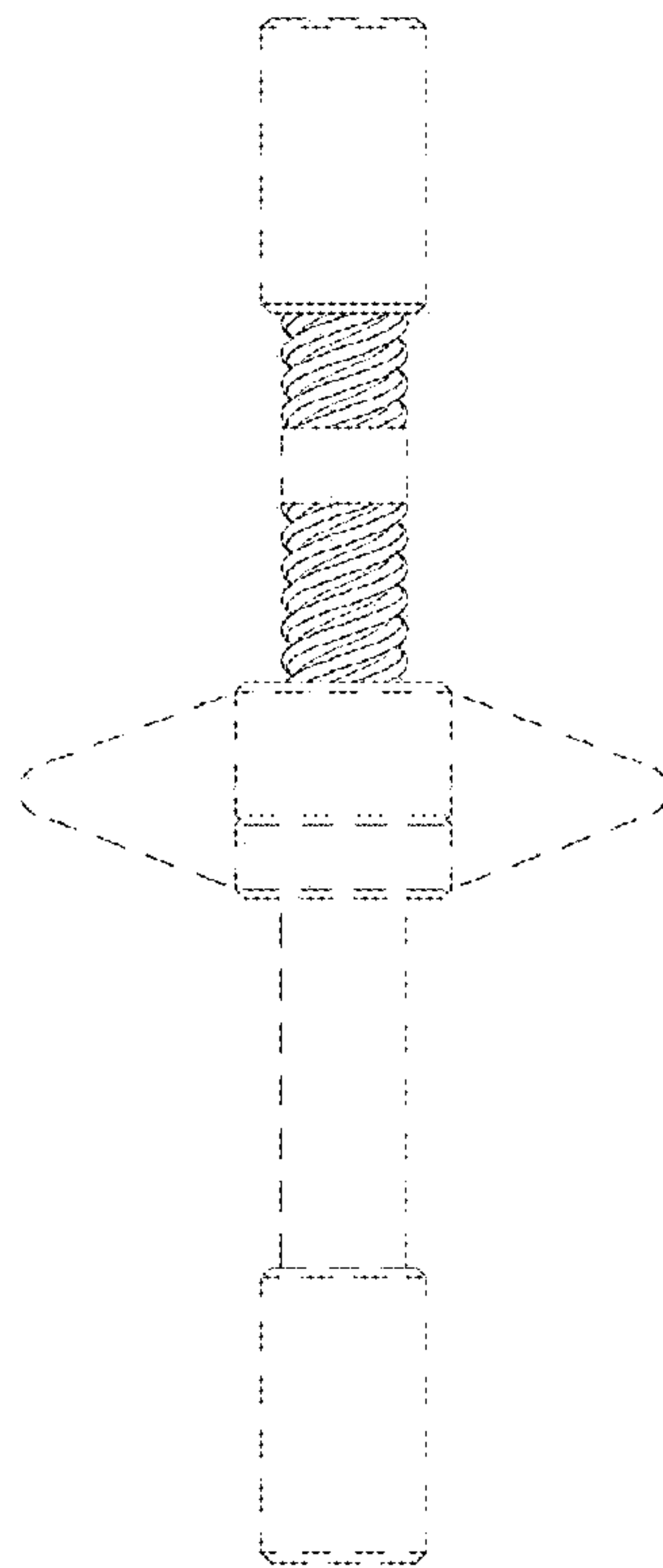


FIG. 5

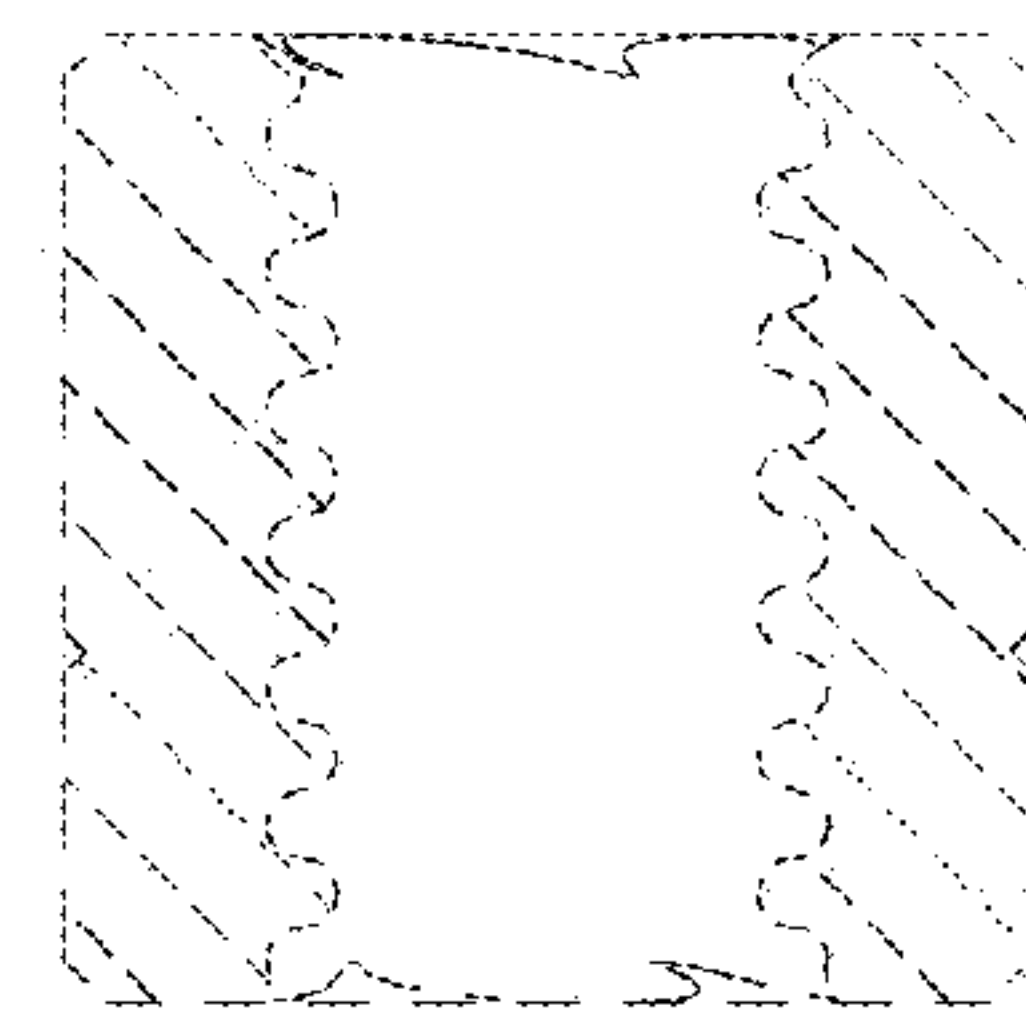


FIG. 7

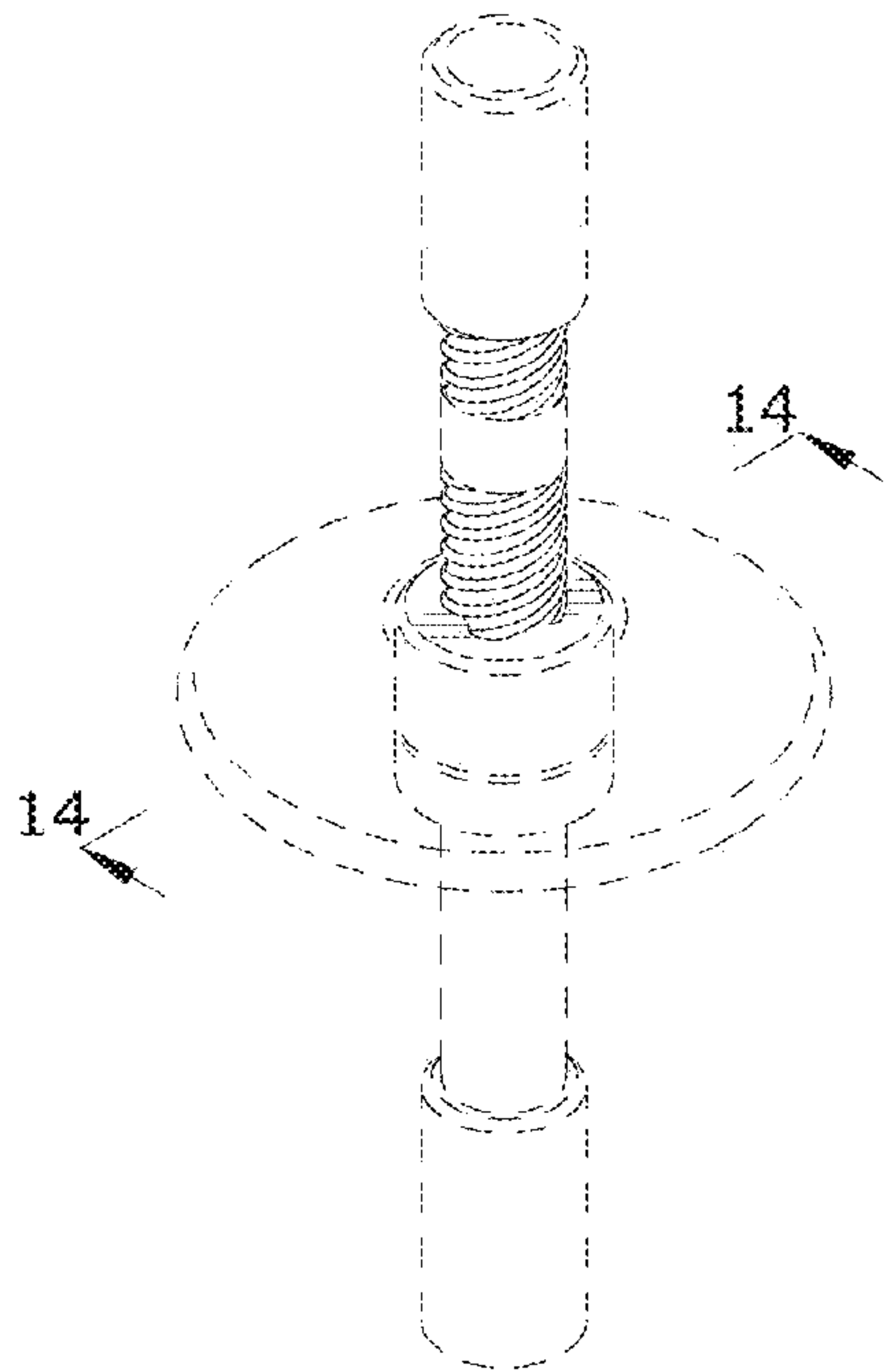


FIG. 8

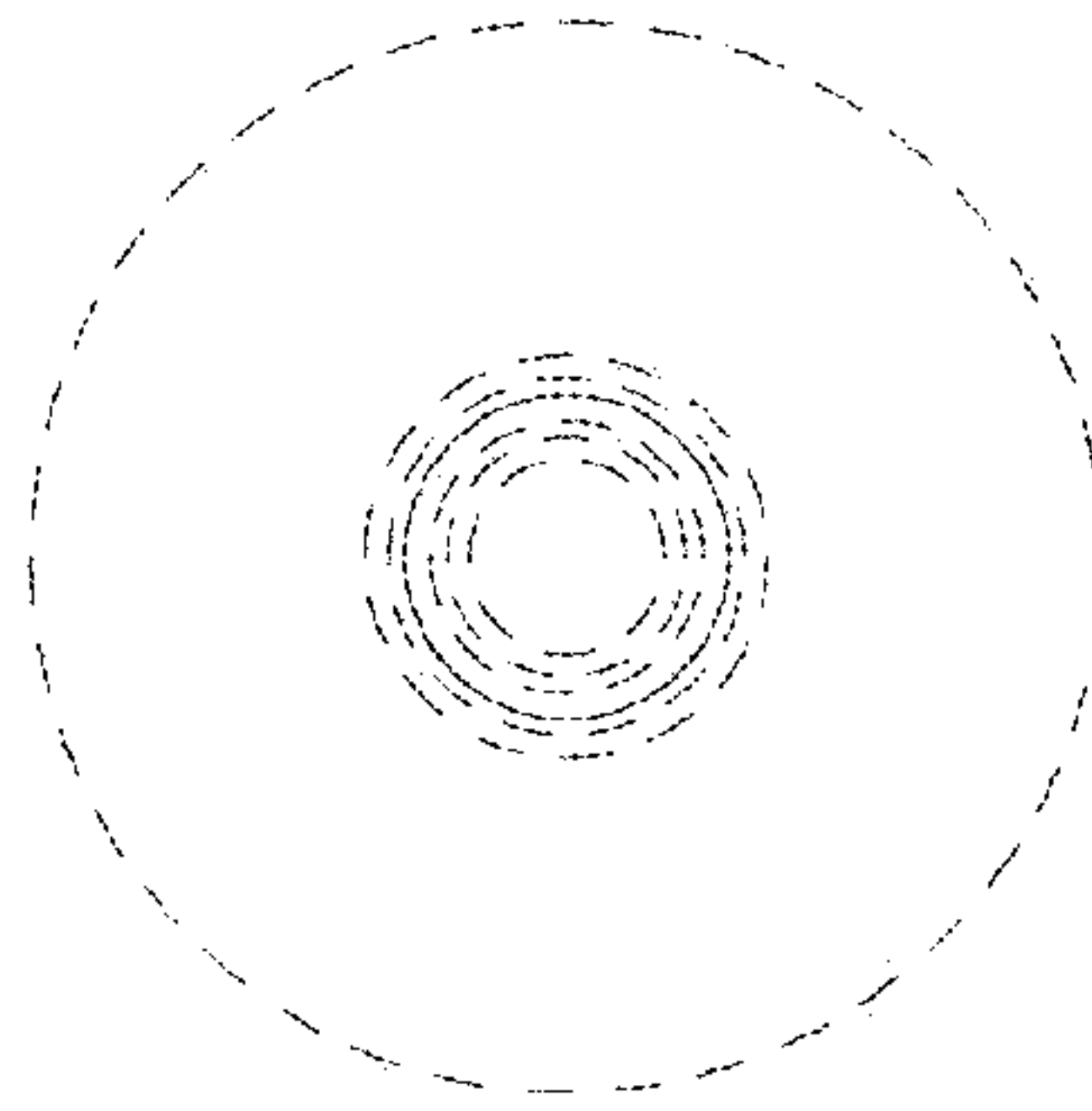


FIG. 9

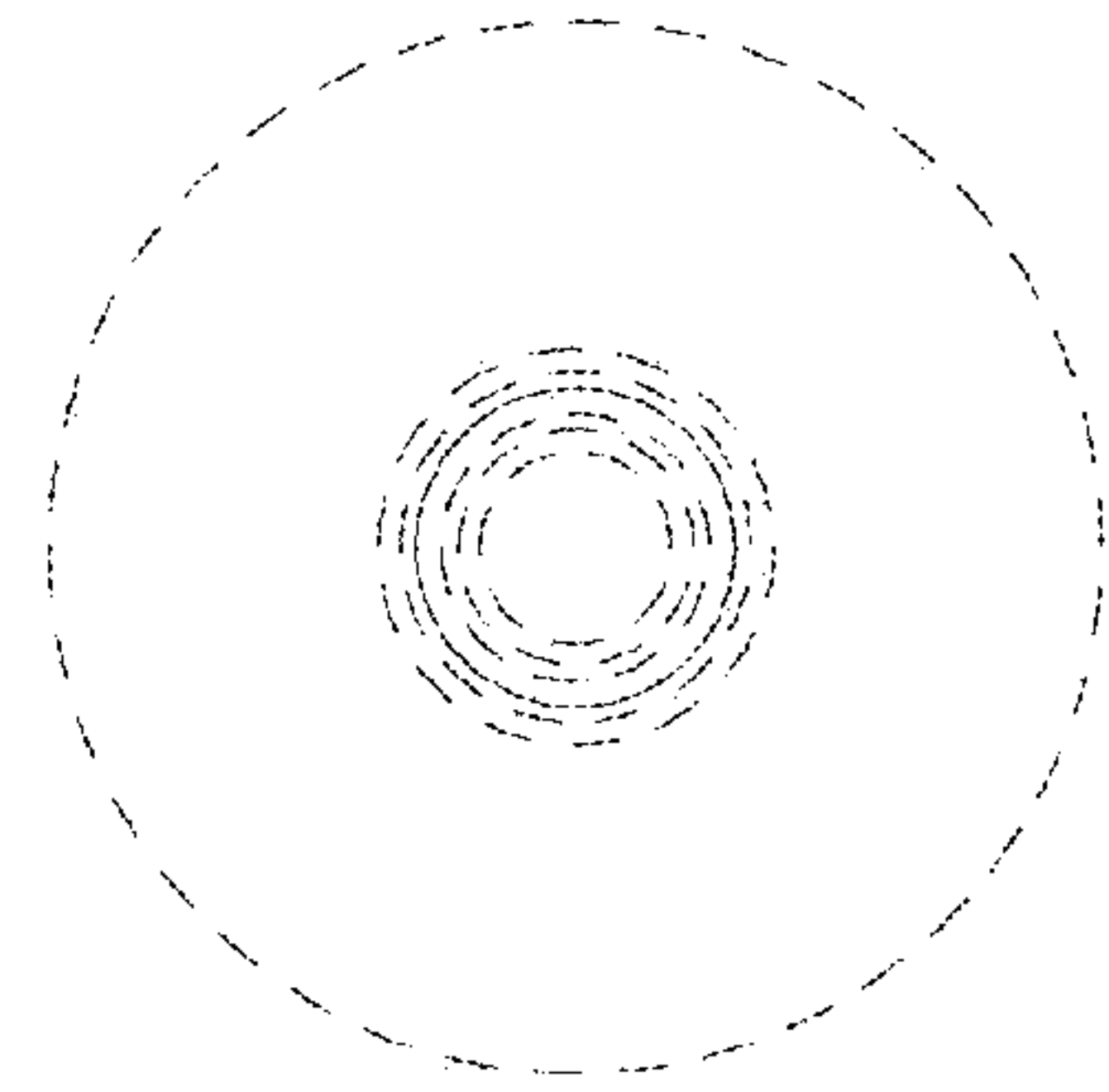


FIG. 10

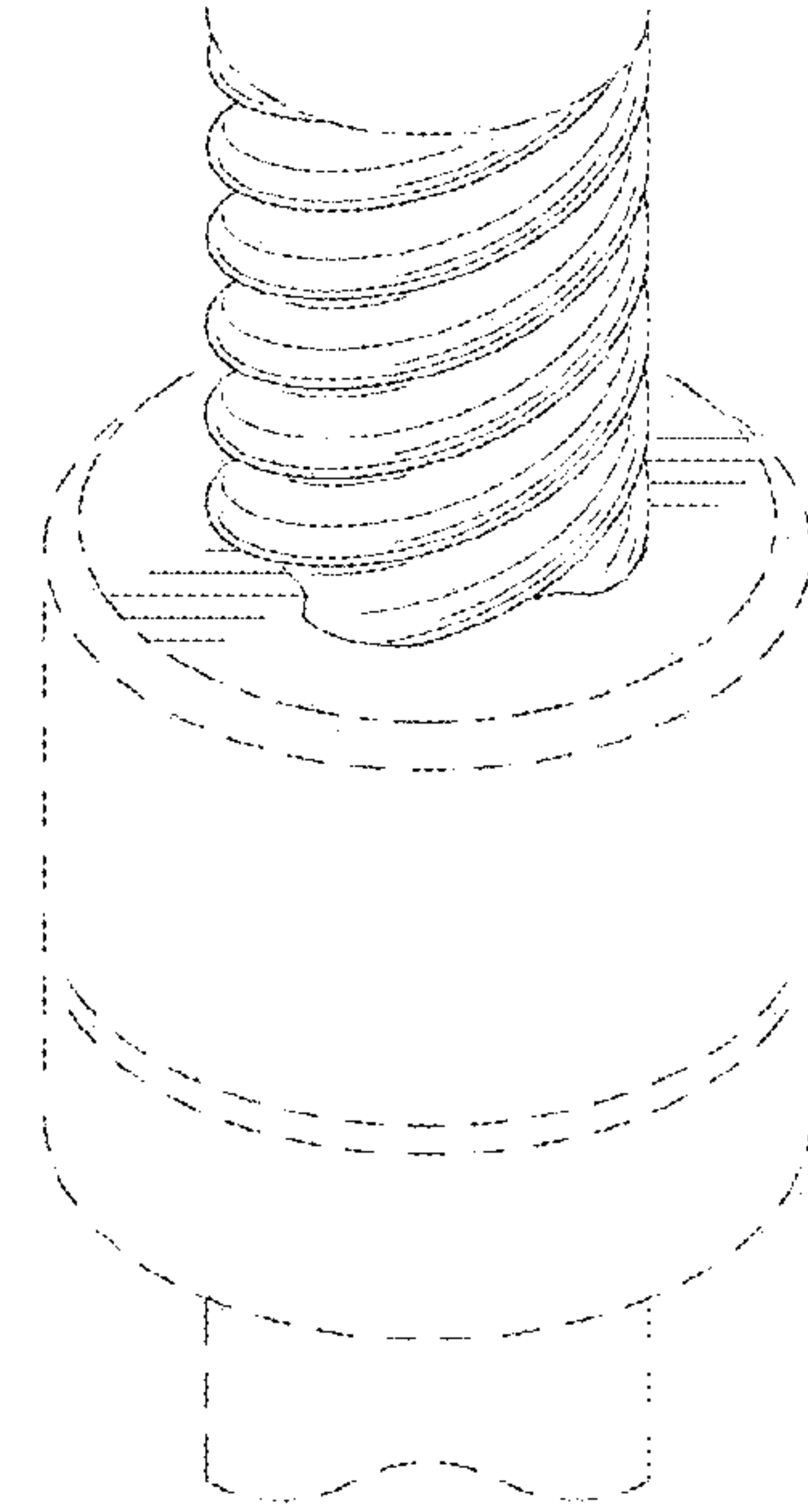


FIG. 13

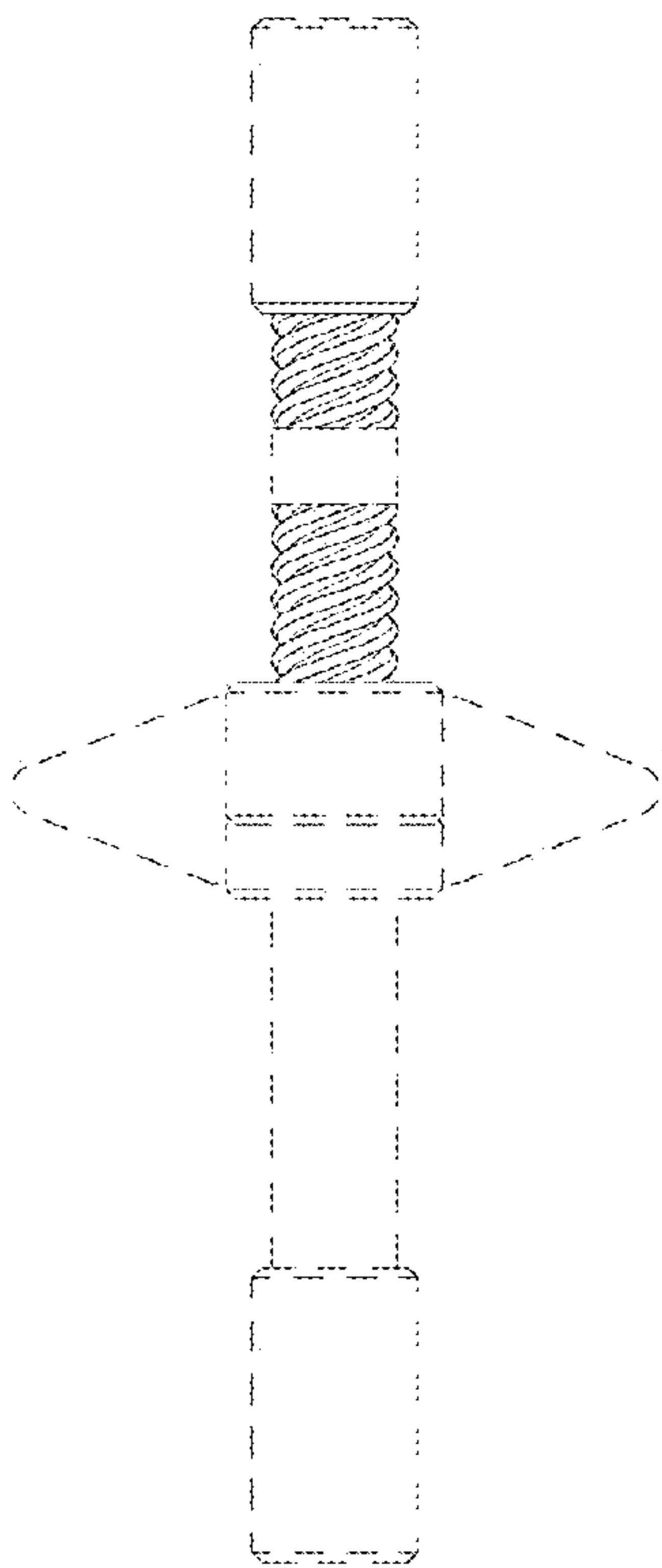


FIG. 11

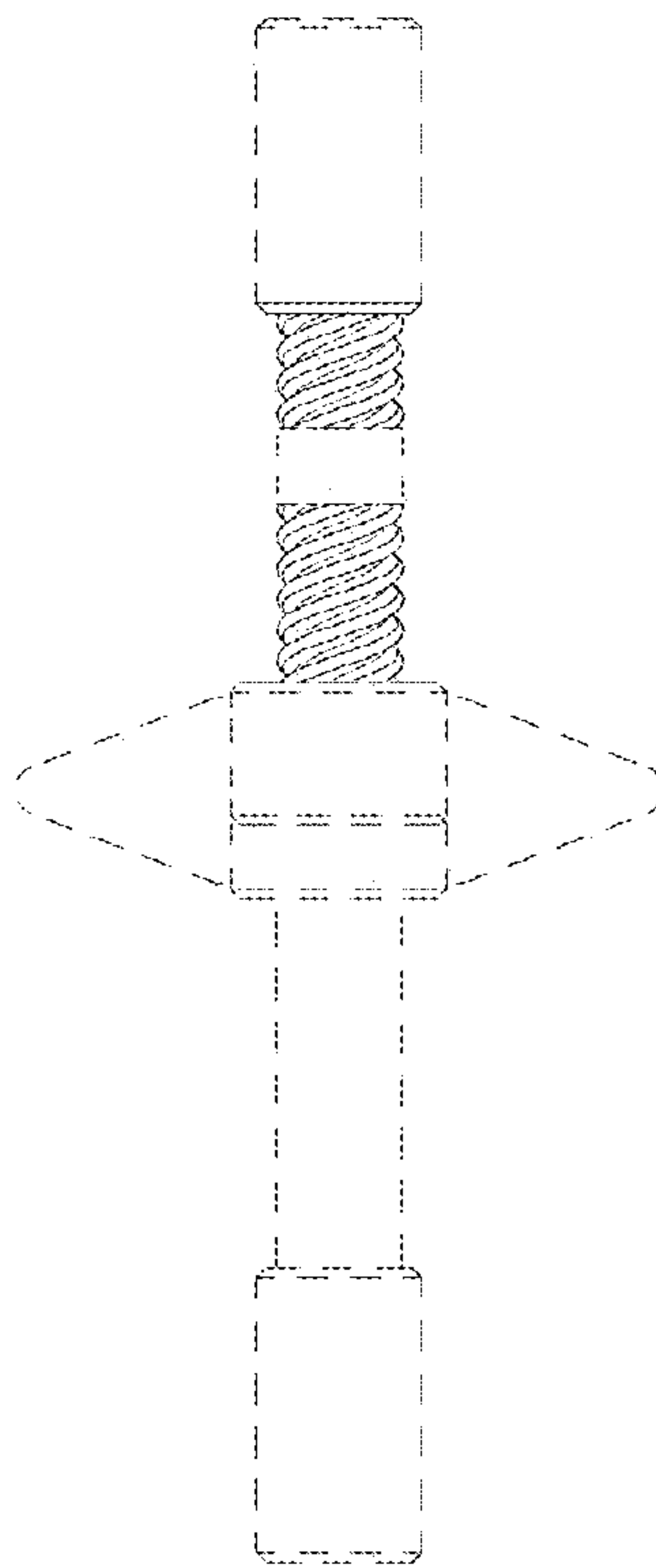


FIG. 12

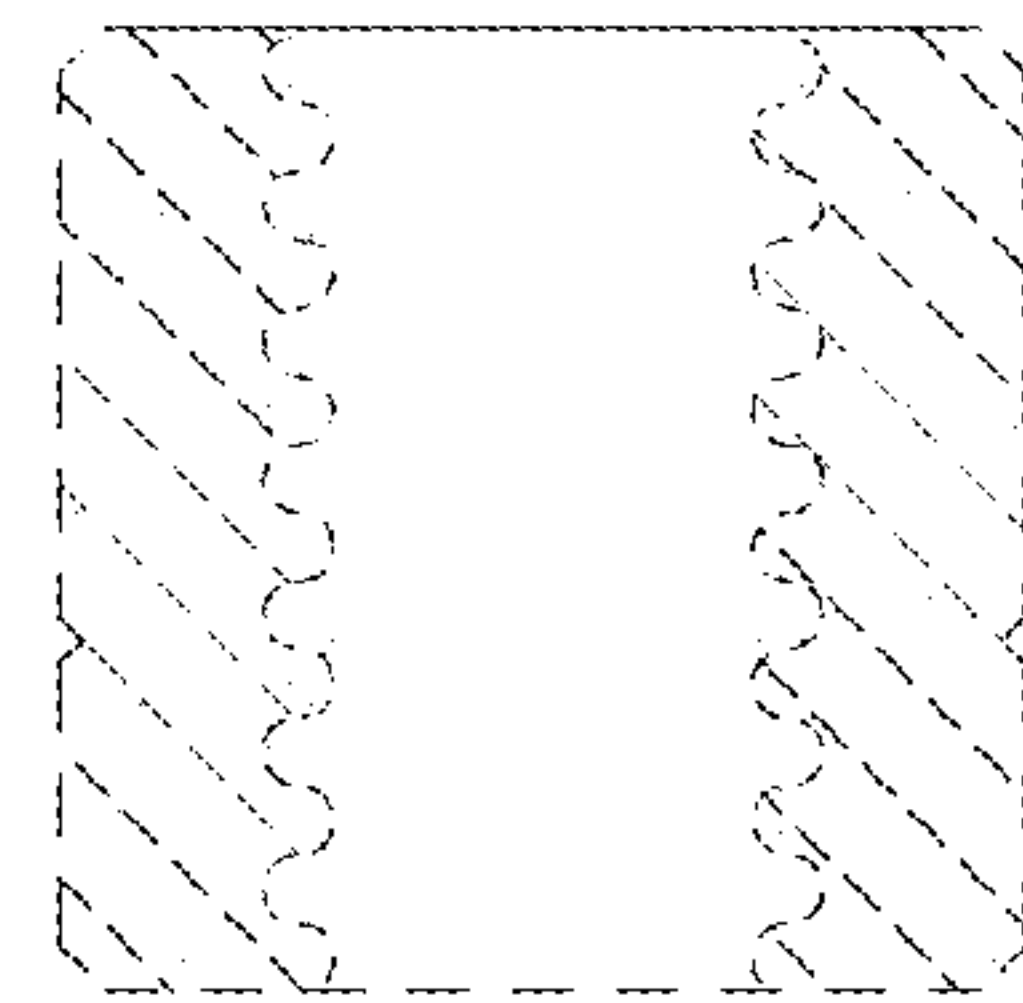


FIG. 14