



US00D958259S

(12) **United States Design Patent** (10) **Patent No.:** **US D958,259 S**  
**Xu** (45) **Date of Patent:** **\*\* Jul. 19, 2022**

(54) **TOY JET-PLANE LAUNCHER**

(71) Applicant: **Minghuan Xu, Jian (CN)**

(72) Inventor: **Minghuan Xu, Jian (CN)**

(\*\*) Term: **15 Years**

(21) Appl. No.: **29/686,119**

(22) Filed: **Apr. 2, 2019**

(51) **LOC (13) Cl.** ..... **21-02**

(52) **U.S. Cl.**  
USPC ..... **D21/454**

(58) **Field of Classification Search**

USPC ..... D12/1, 2, 3, 4, 16.1, 319, 321, 322, 323,  
D12/324, 326, 327-344, 345; D21/436,  
D21/439, 440, 441, 442, 444, 446, 447,  
D21/448, 449, 450, 451, 452, 453  
CPC ..... F41B 11/89; F41F 7/00; F41F 3/04  
See application file for complete search history.

(56) **References Cited**

**U.S. PATENT DOCUMENTS**

D178,252 S *	7/1956	Lent	.....	D21/452
3,190,033 A *	6/1965	Wood	.....	A63H 27/005
				446/14
D210,398 S *	3/1968	Ryan et al.	.....	D21/454
D248,498 S *	7/1978	Kambayashi	.....	D21/454
D351,432 S *	10/1994	Dudeck	.....	D21/452
6,315,629 B1 *	11/2001	Jones	.....	A63H 27/005
				446/212

(Continued)

**OTHER PUBLICATIONS**

The original jr. glow rocket launcher by stomp rocket store, dated Feb. 16, 2019. found online [Mar. 11, 2022] [https://www.amazon.com/Stomp-Rocket-Original-Rockets-Packaging/dp/B00000K3BR?th=1.\\*](https://www.amazon.com/Stomp-Rocket-Original-Rockets-Packaging/dp/B00000K3BR?th=1.*)

(Continued)

*Primary Examiner* — Marissa J Cash

(74) *Attorney, Agent, or Firm* — ScienBiziP, P.C.

(57) **CLAIM**

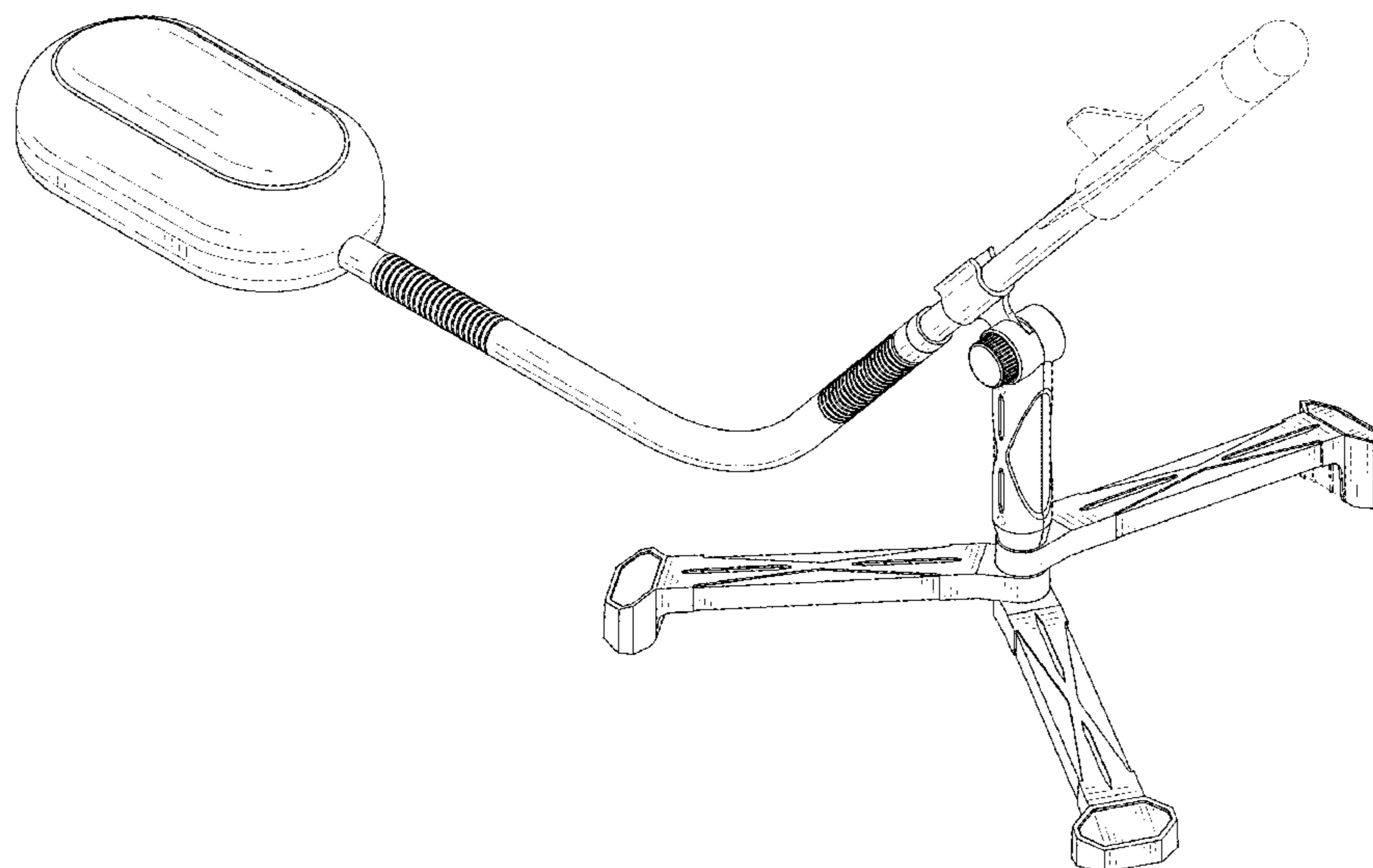
The ornamental design for toy jet-plane launcher, as shown and described.

**DESCRIPTION**

FIG. 1 is a first perspective view of a toy jet-plane launcher showing my design;  
 FIG. 2 is a second perspective view thereof;  
 FIG. 3 is a front elevational view thereof;  
 FIG. 4 is a rear elevational view thereof;  
 FIG. 5 is a left side elevational view thereof;  
 FIG. 6 is a right side elevational view thereof;  
 FIG. 7 is a top plan view thereof;  
 FIG. 8 is a bottom plan view thereof;  
 FIG. 9 is a first perspective view of the toy jet-plane showing a status when the toy jet-plane launcher is being used;  
 FIG. 10 is a second perspective view of the toy jet-plane showing a status when the toy jet-plane launcher is being used;  
 FIG. 11 is an enlarged view of the toy jet-plane launcher in FIG. 1 of the region identified as "11" in FIG. 1;  
 FIG. 12 is an enlarged view of the toy jet-plane launcher in FIG. 1 of the region identified as "12" in FIG. 1;  
 FIG. 13 is an enlarged view of the toy jet-plane launcher in FIG. 2 of the region identified as "13" in FIG. 2;  
 FIG. 14 is an enlarged view of the toy jet-plane launcher in FIG. 3 of the region identified as "14" in FIG. 3; and,  
 FIG. 15 is an enlarged view of the toy jet-plane launcher in FIG. 3 of the region identified as "15" in FIG. 3.

The evenly-spaced broken lines illustrate portions of the toy jet-plane launcher that form no part of the claimed design; the additional evenly-spaced broken lines in FIGS. 9 and 10 illustrate environmental subject matter that form no part thereof; the dash-dot broken lines are for purposes of annotating the enlarged views and form no part of the claimed design.

**1 Claim, 15 Drawing Sheets**



(56)

**References Cited**

U.S. PATENT DOCUMENTS

6,460,531 B1 \* 10/2002 Gourley ..... F41B 11/89  
124/64  
6,926,579 B2 \* 8/2005 Rappaport ..... F41B 11/66  
124/64  
7,021,987 B1 \* 4/2006 Lund ..... A63H 27/005  
446/212  
9,086,251 B2 \* 7/2015 Cummings ..... A63H 27/005  
9,878,257 B2 \* 1/2018 Barrett ..... B64C 29/02  
10,012,469 B2 \* 7/2018 Cummings ..... A63H 27/005  
D903,005 S \* 11/2020 Ma ..... D21/452

OTHER PUBLICATIONS

Air Rocket Toy by National Geographic on Walmart.com. earliest review date Jun. 5, 2021. found online [Mar. 11, 2022] <https://www.walmart.com/ip/NATIONAL-GEOGRAPHIC-Air-Rocket-Toy-Ultimate-LED-Launcher-Kids-Stomp-Launch-Light-up-Powered-Foam-Tipped-Rockets-100-Foot/582906155?wmlspartner=wlp&selectedSellerId=0&wl13=3351&a>.\*

\* cited by examiner

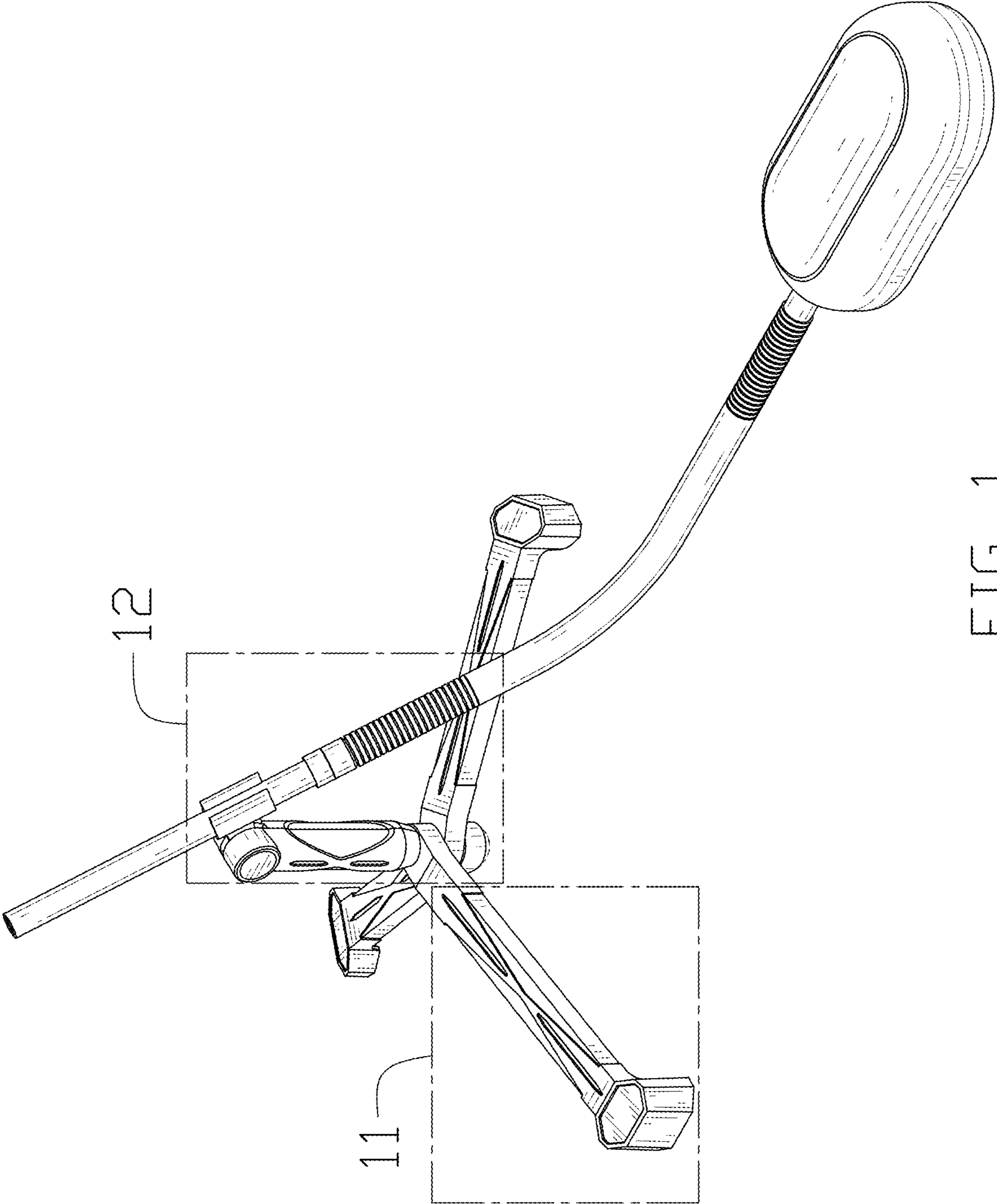


FIG. 1

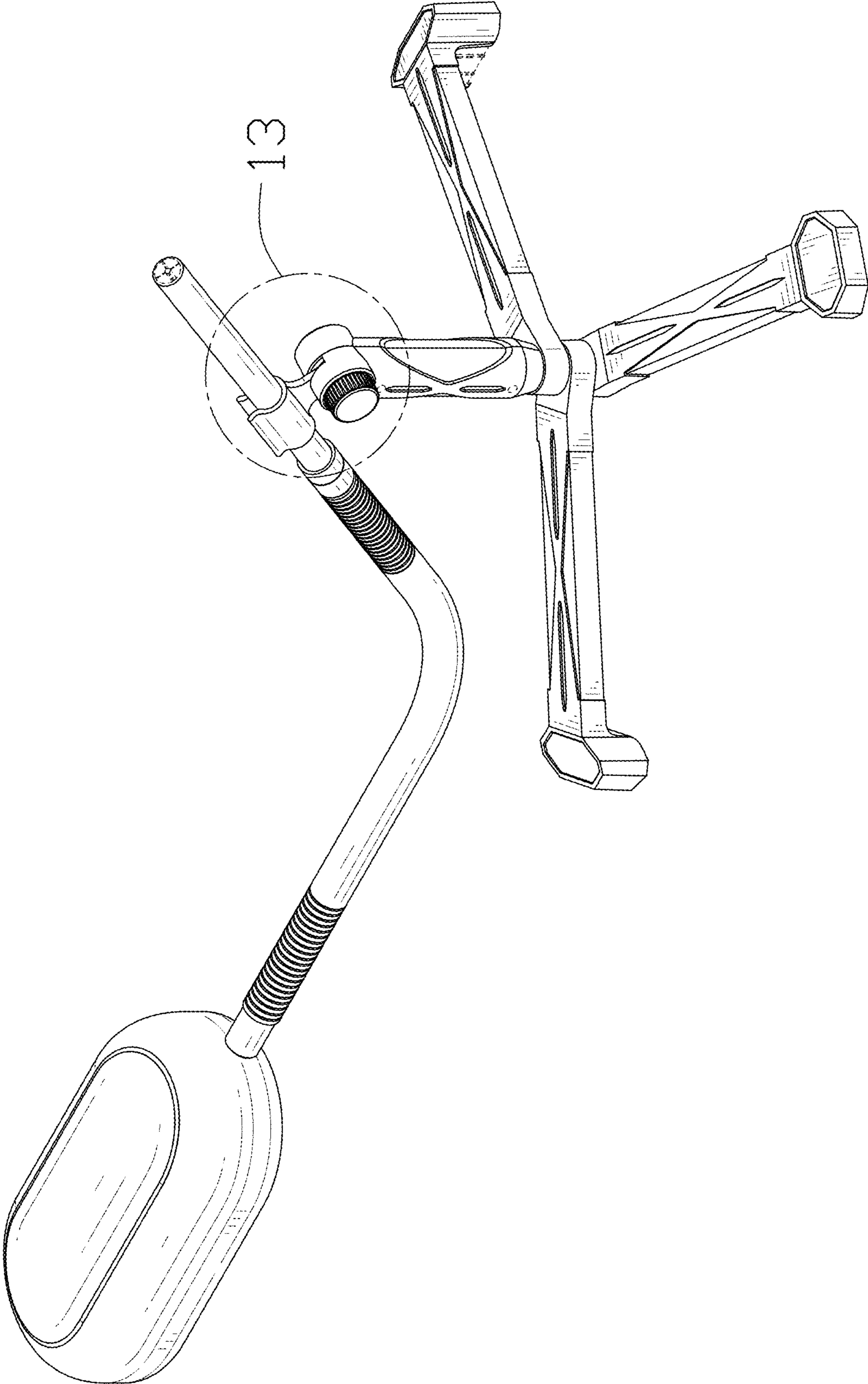


FIG. 2

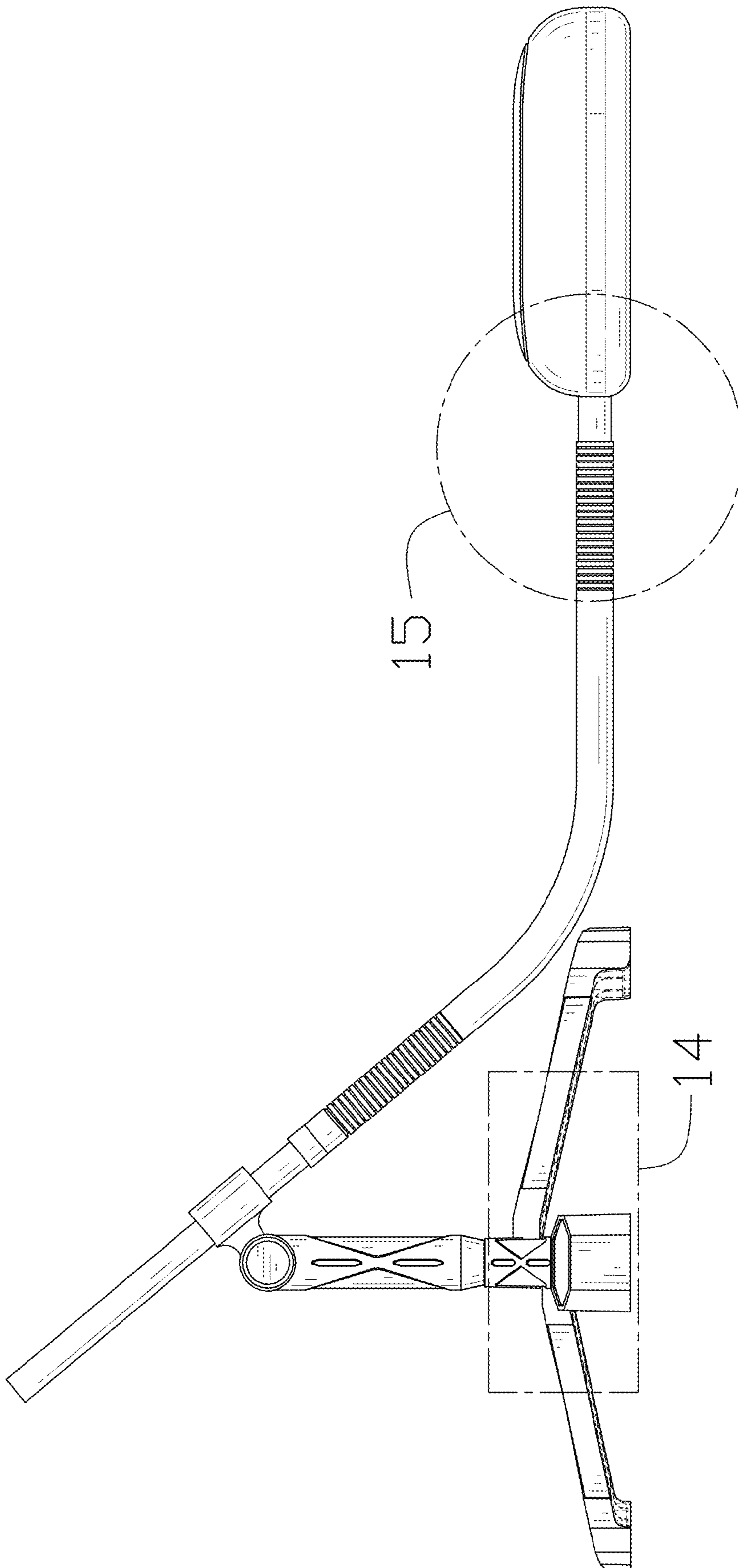


FIG. 3

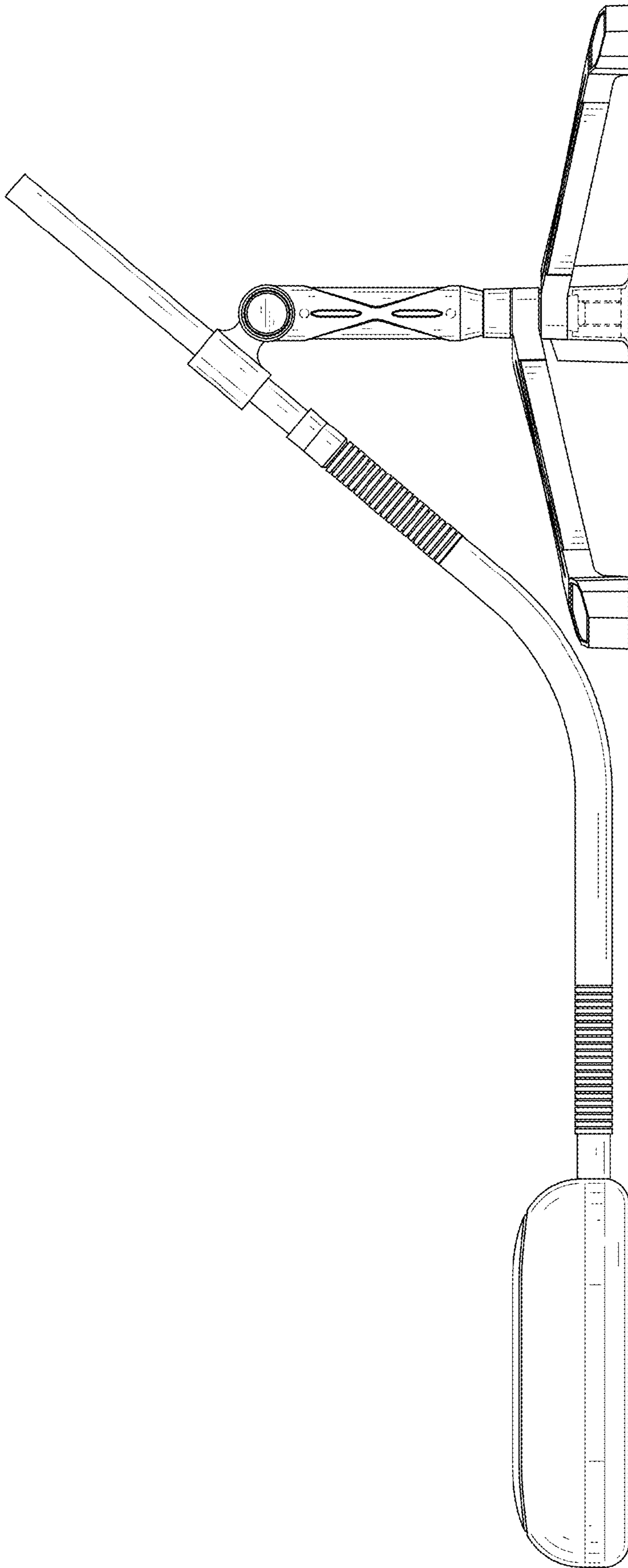


FIG. 4

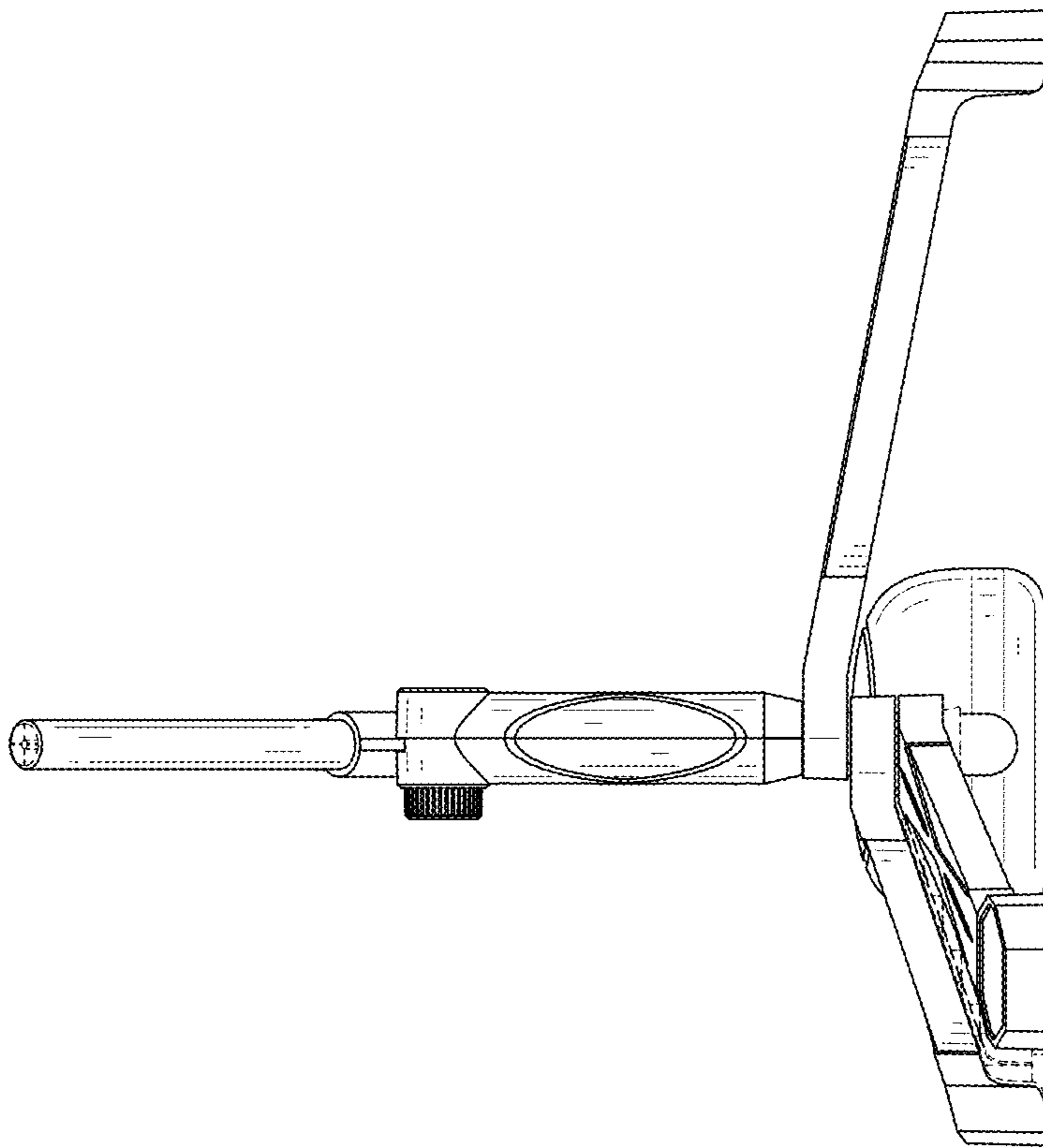


FIG. 5

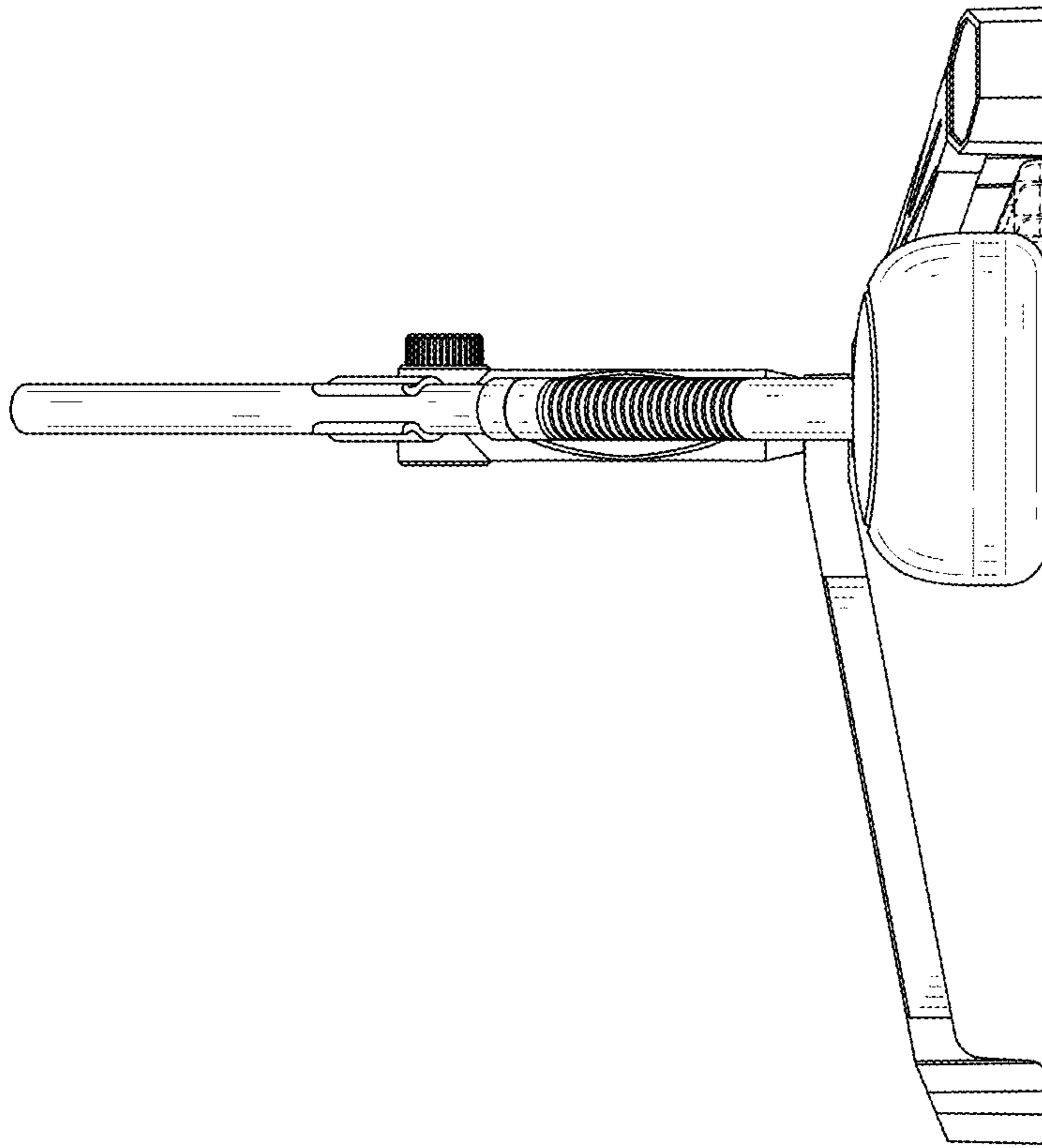


FIG. 6



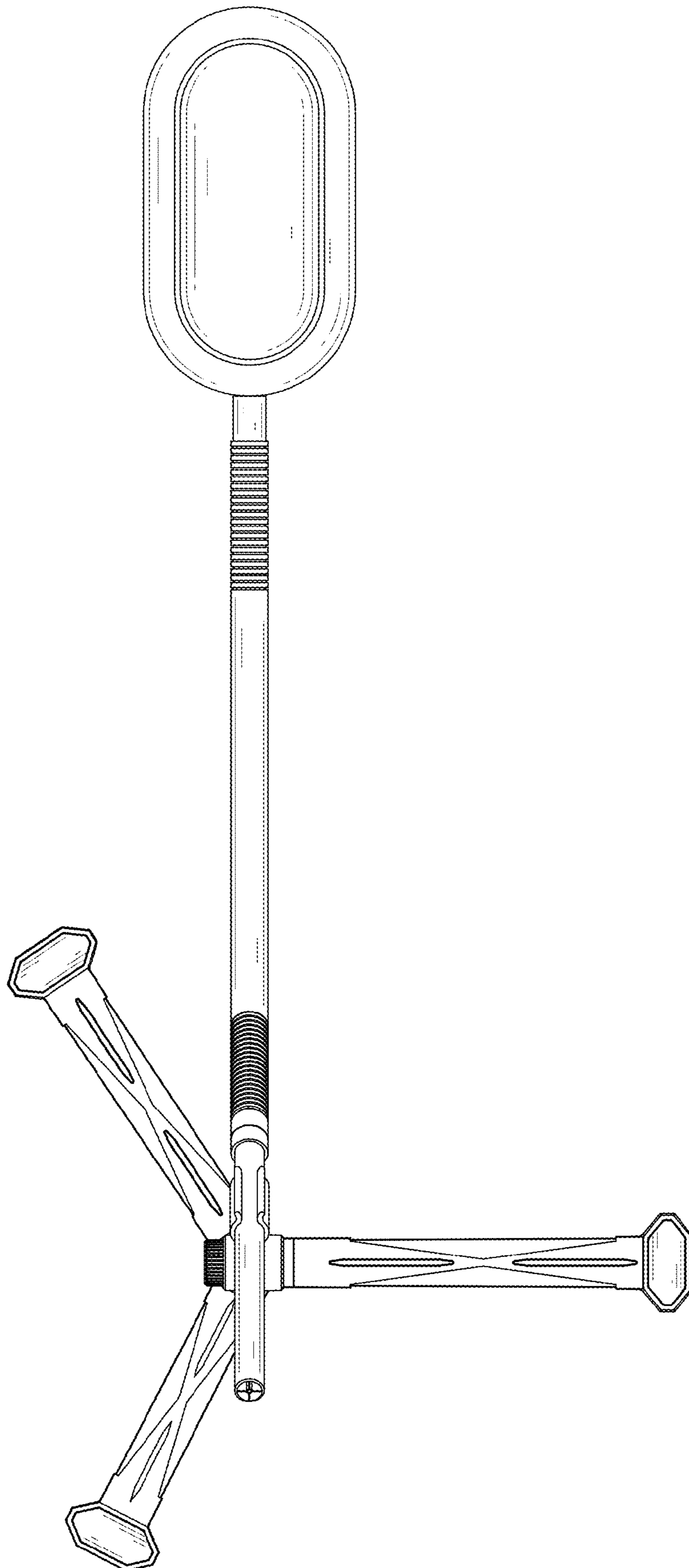


FIG. 7

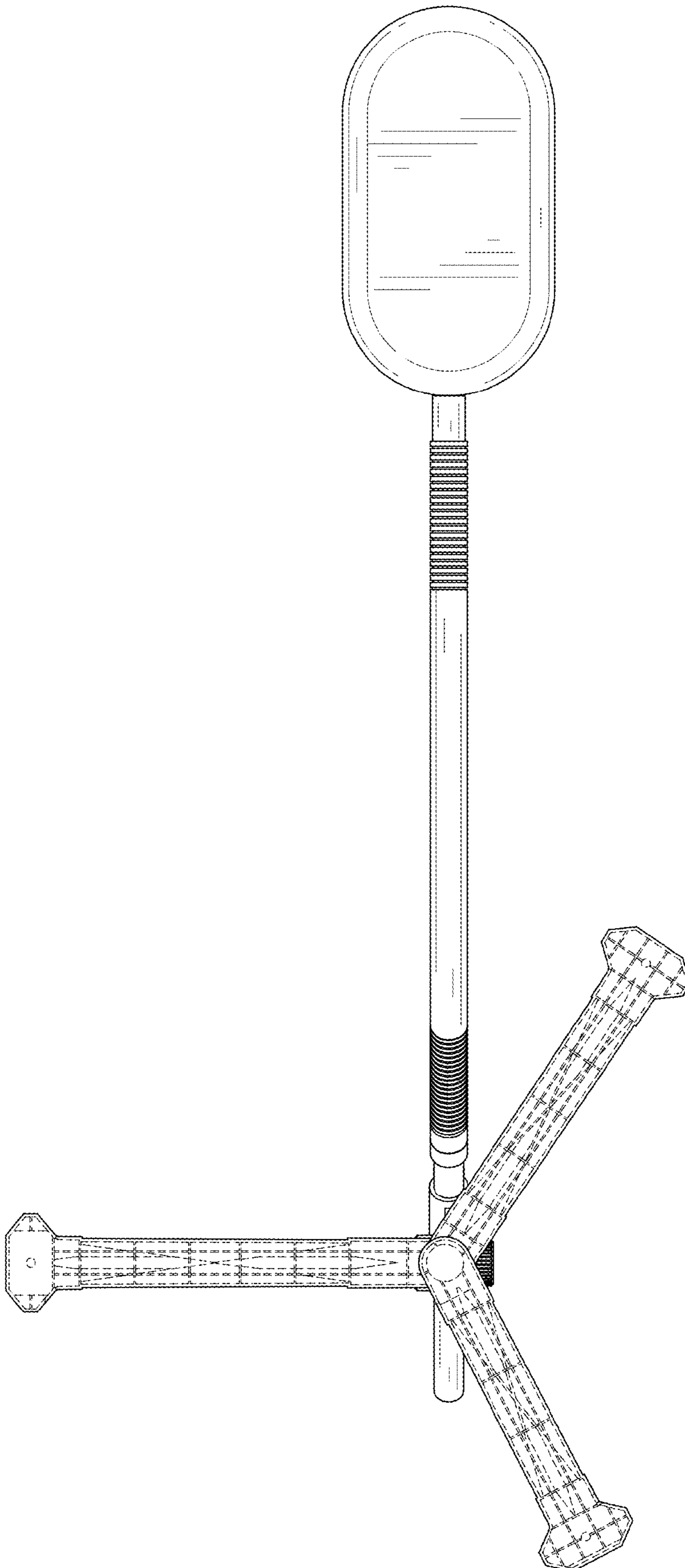


FIG. 8

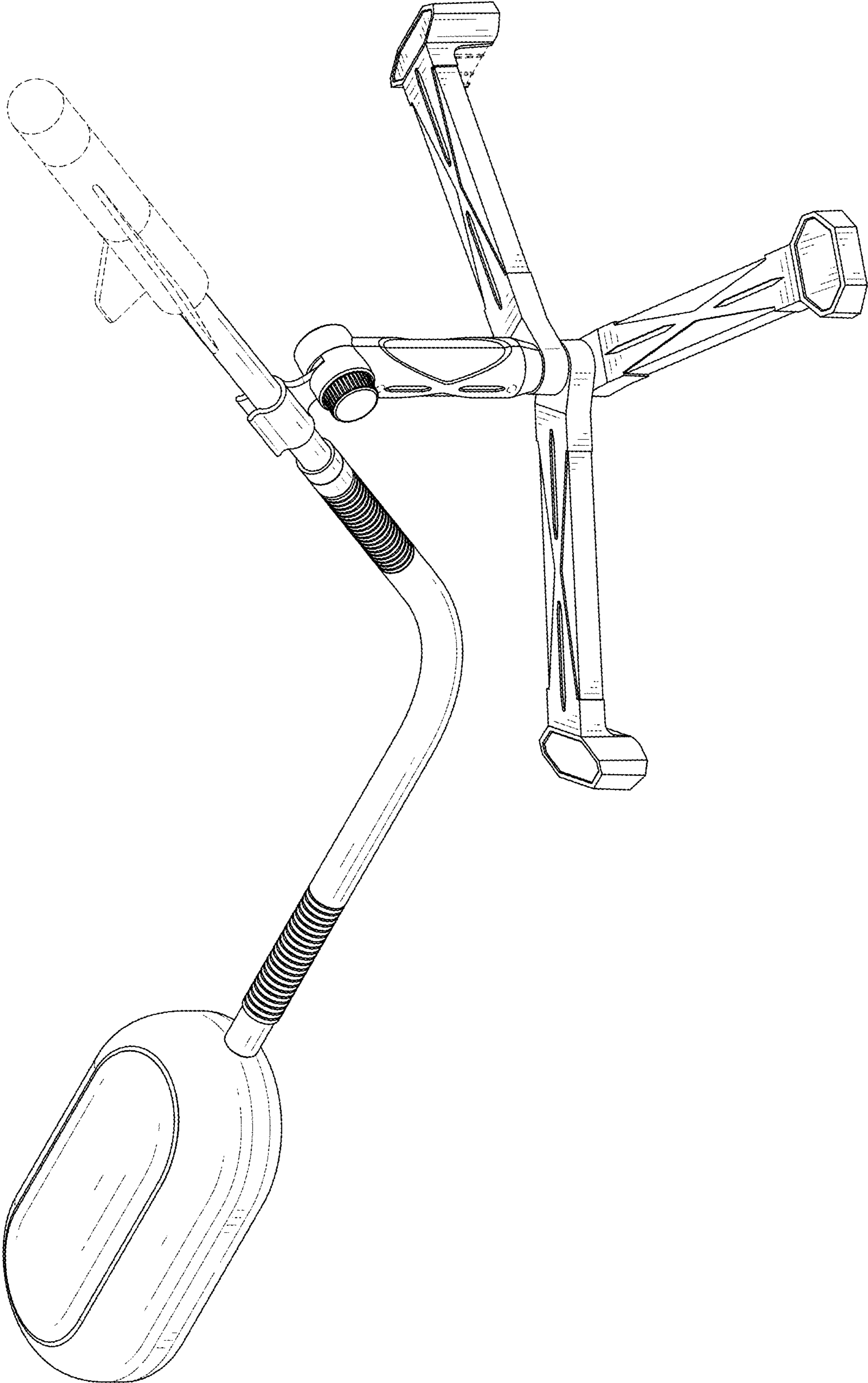


FIG. 9

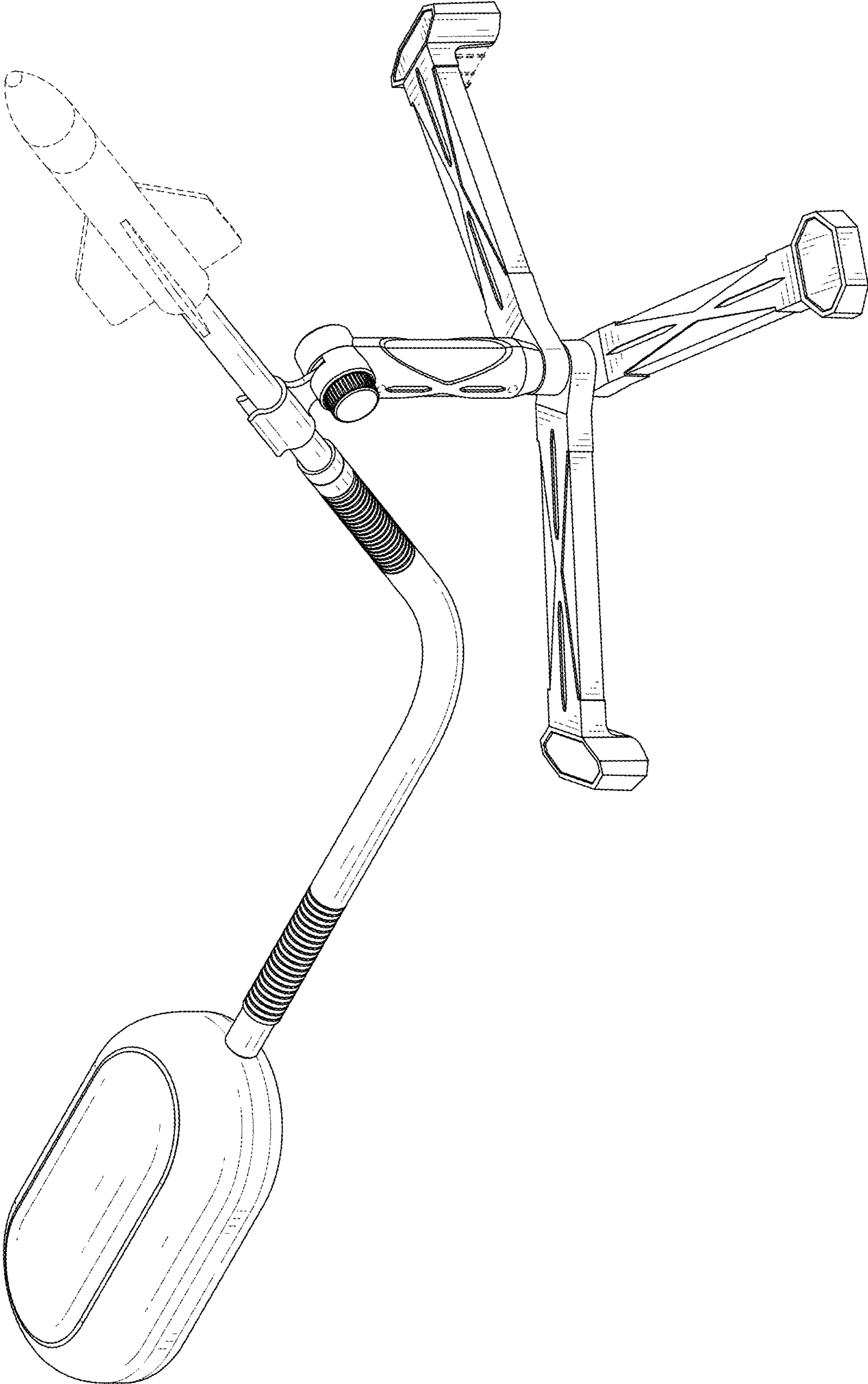


FIG. 10

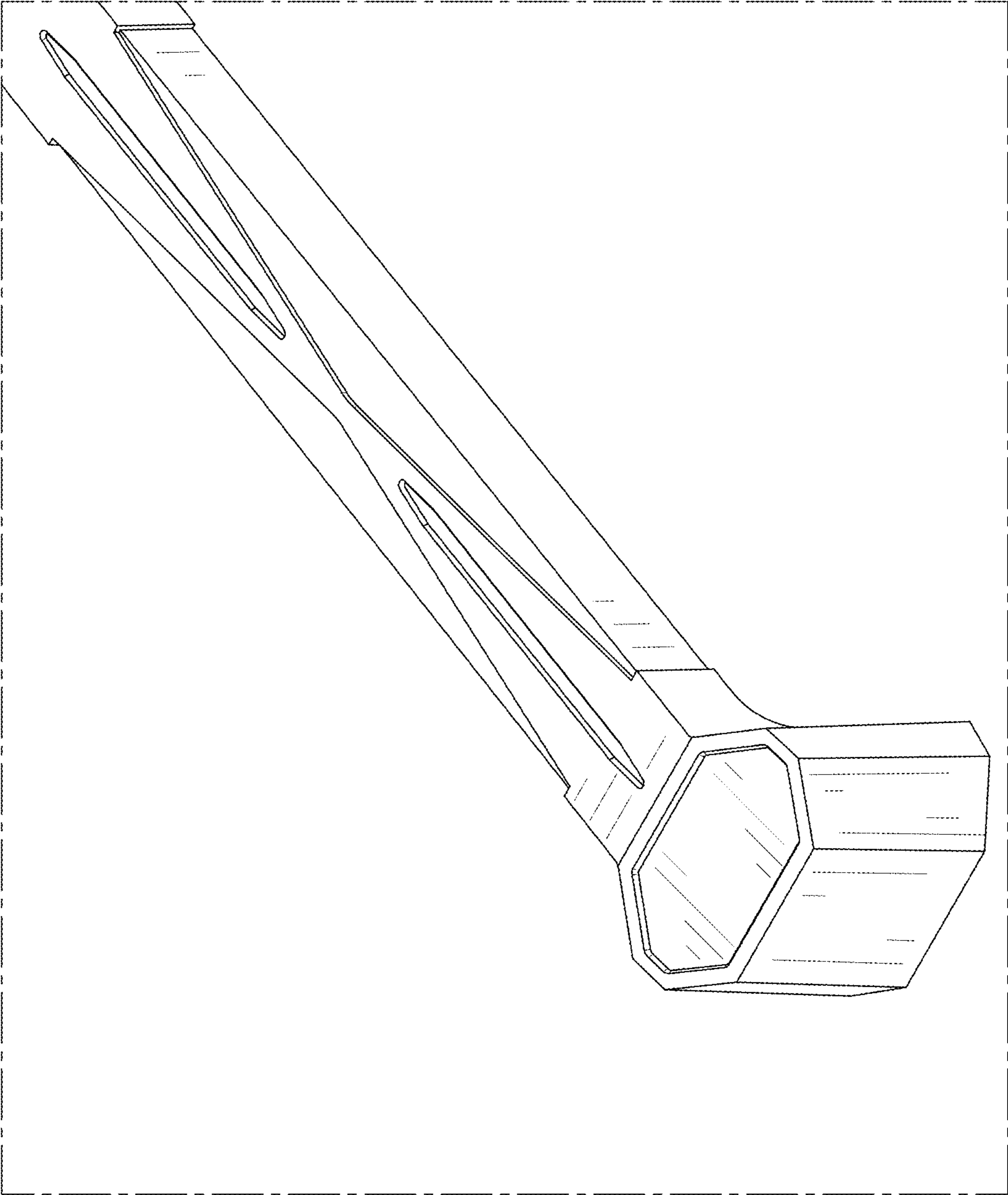


FIG. 11

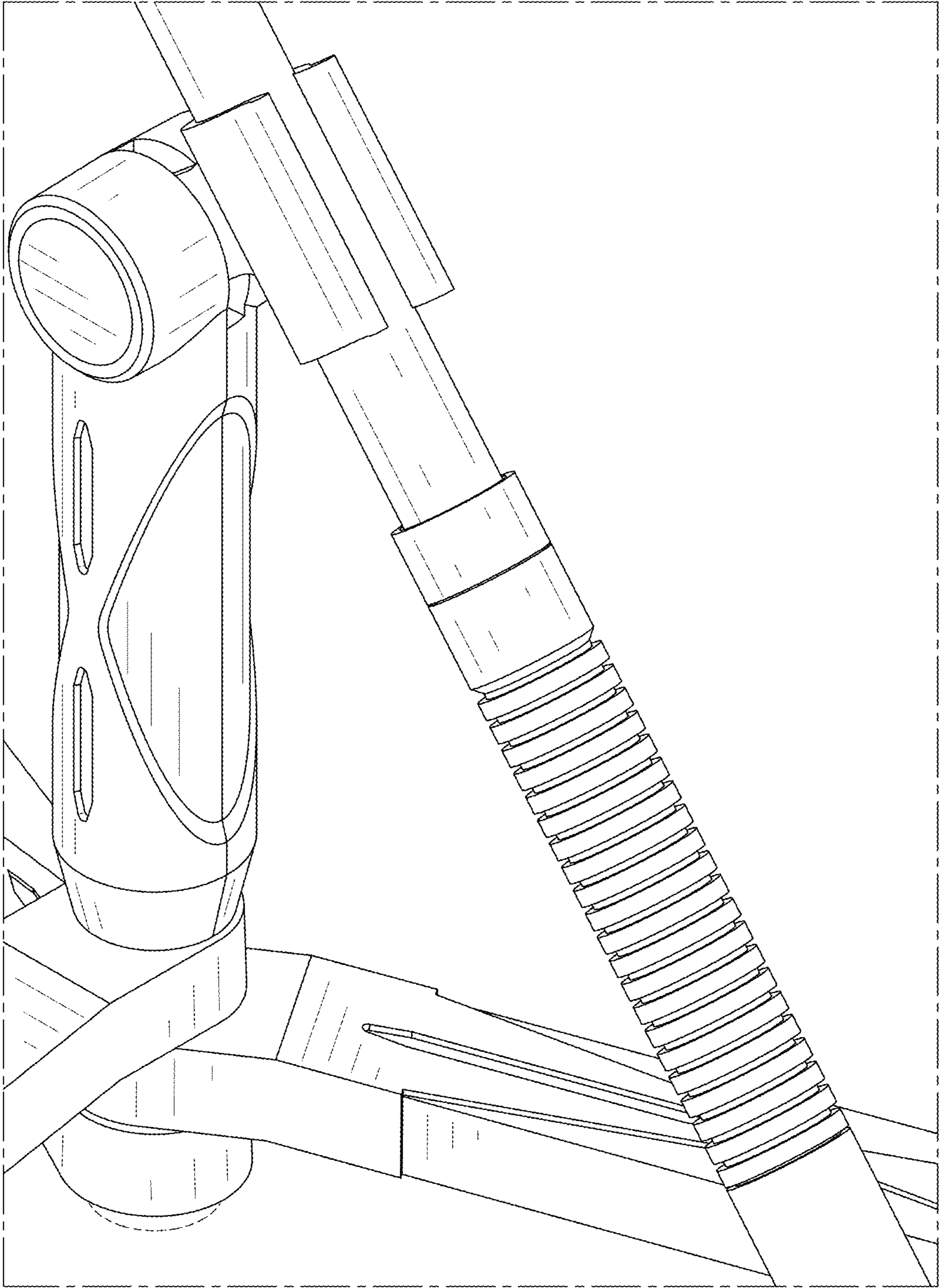


FIG. 12

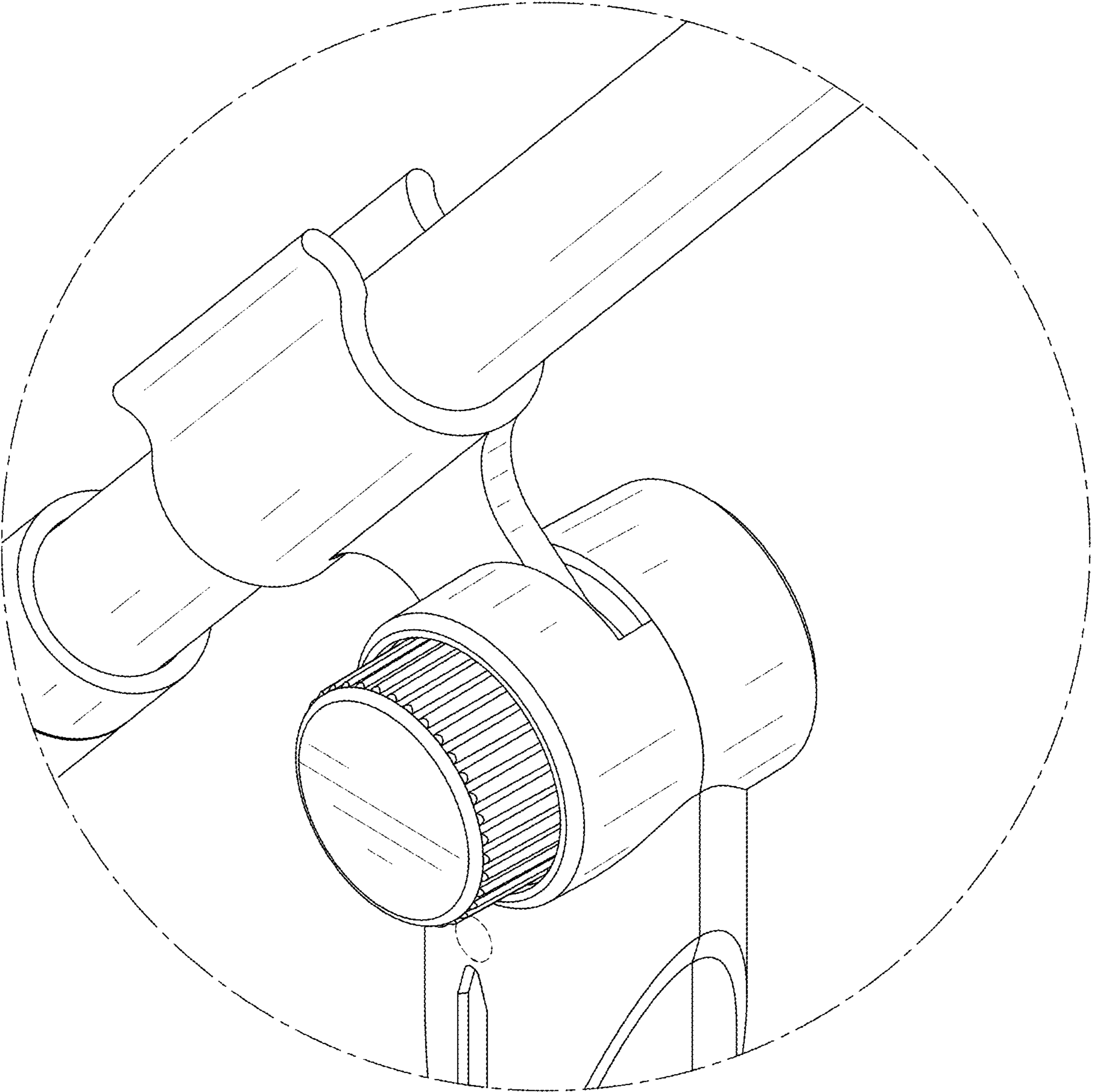


FIG. 13

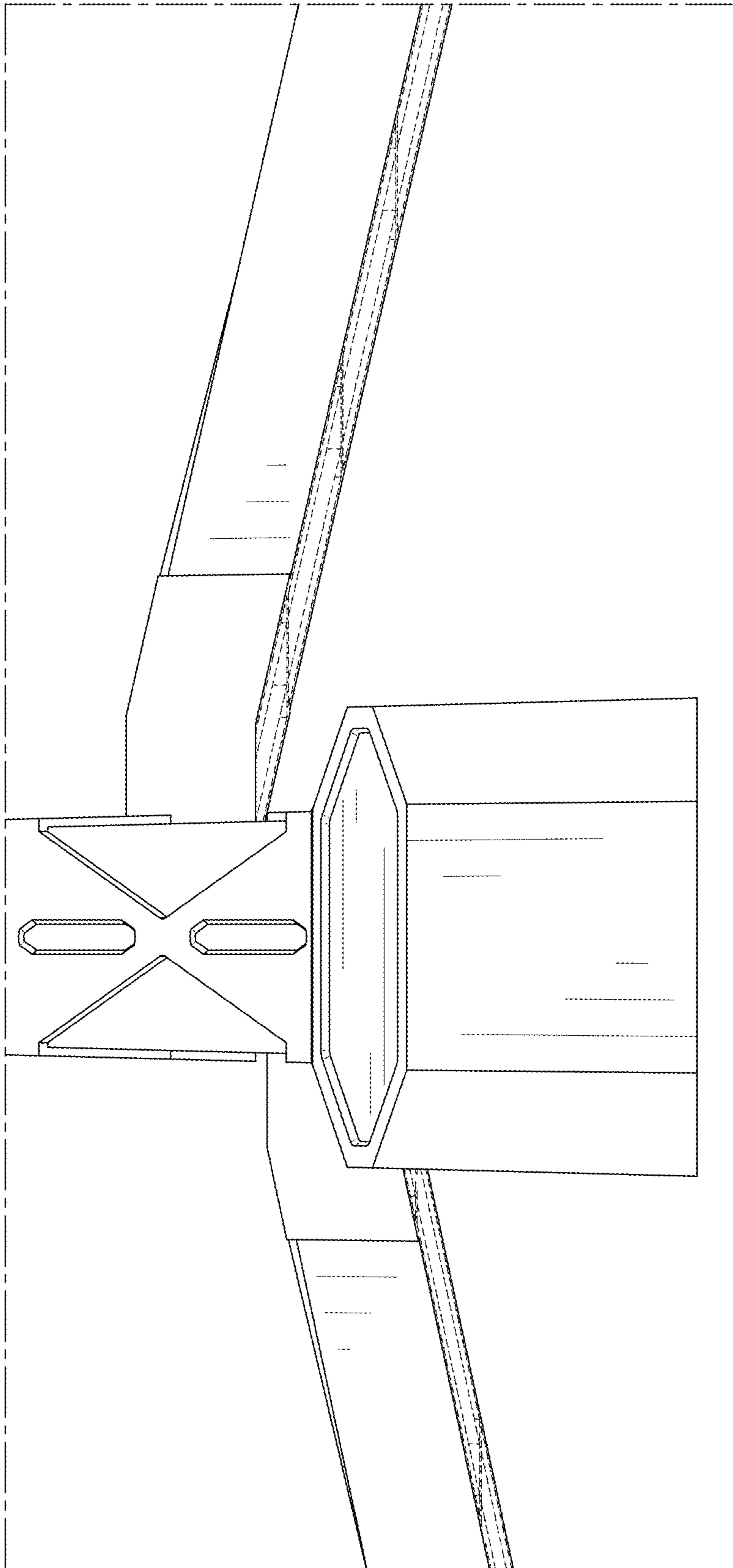


FIG. 14



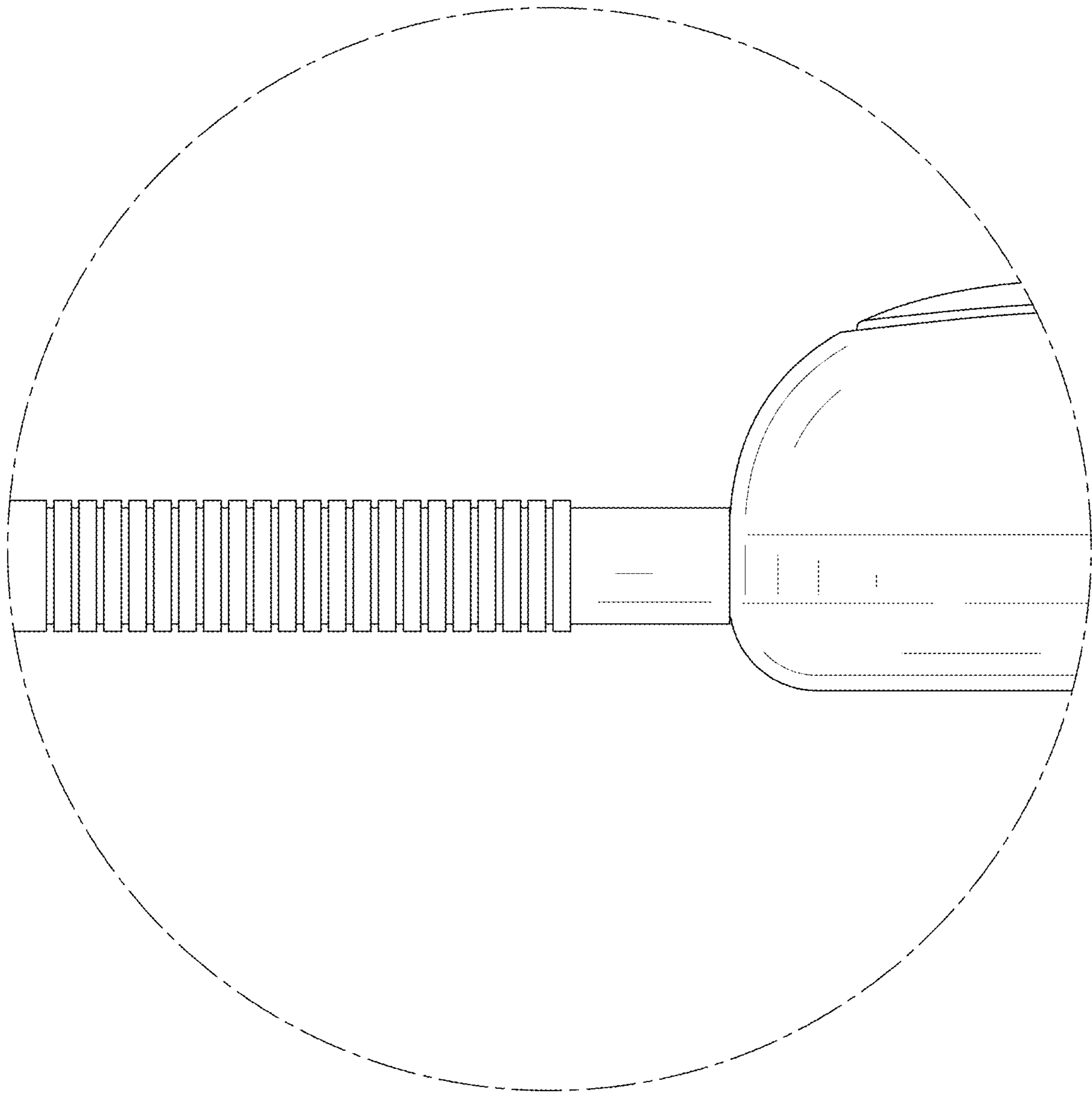


FIG. 15