



US00D958258S

(12) **United States Design Patent** (10) **Patent No.:** **US D958,258 S**
Zhou (45) **Date of Patent:** **** Jul. 19, 2022**

(54) **BALLOON BASE**
(71) Applicant: **EC INNOVATION INC.**, Temple City, CA (US)
(72) Inventor: **Xian Zhou**, Guangzhou (CN)
(**) Term: **15 Years**
(21) Appl. No.: **29/754,104**
(22) Filed: **Oct. 6, 2020**
(51) **LOC (13) Cl.** **21-01**
(52) **U.S. Cl.**
USPC **D21/453**
(58) **Field of Classification Search**
USPC D12/1-4, 16.1, 319-345; D21/436-454; D24/130, 141
CPC B64C 39/024; B64C 13/16; B64C 19/00; B64C 2201/021; B64C 2201/141; B64H 1/3442; B01L 3/02
See application file for complete search history.

(56) **References Cited**

U.S. PATENT DOCUMENTS

3,841,197	A *	10/1974	Morrissey	F41F 3/065
					D21/453
5,364,230	A *	11/1994	Krauss	B64C 39/024
					416/138
D638,886	S *	5/2011	Hua	D21/453
D691,673	S *	10/2013	Vazquez	D21/443
D725,197	S *	3/2015	Thompson	D21/443
D725,713	S *	3/2015	Thompson	D21/443
D725,714	S *	3/2015	Kim	D21/443
D728,694	S *	5/2015	Nelson	D21/453
D763,969	S *	8/2016	Jeager	D21/443
D778,370	S *	2/2017	Moore	D21/443
D817,251	S *	5/2018	Kim	D12/325
D859,536	S *	9/2019	Cope	D21/443
D860,332	S *	9/2019	Cope	D21/443
D873,924	S *	1/2020	Cope	D21/443

D874,747	S *	2/2020	Nguyen	D30/160
D878,481	S *	3/2020	Steinkraus	D21/443
D899,343	S *	10/2020	Xiao	D12/214
D920,442	S *	5/2021	Tearne	D21/441
D921,803	S *	6/2021	Kärkkäinen	D21/803
D941,745	S *	1/2022	Sandys	D12/415
D943,571	S *	2/2022	Deng	D12/415
D944,239	S *	2/2022	Li	D12/415
D946,492	S *	3/2022	Qu	D12/415
2014/0282586	A1 *	9/2014	Shear	G06F 16/248
					718/104

(Continued)

Primary Examiner — John A Voytek
(74) *Attorney, Agent, or Firm* — Tommy S F Wang;
Wang IP Law Group, P.C.

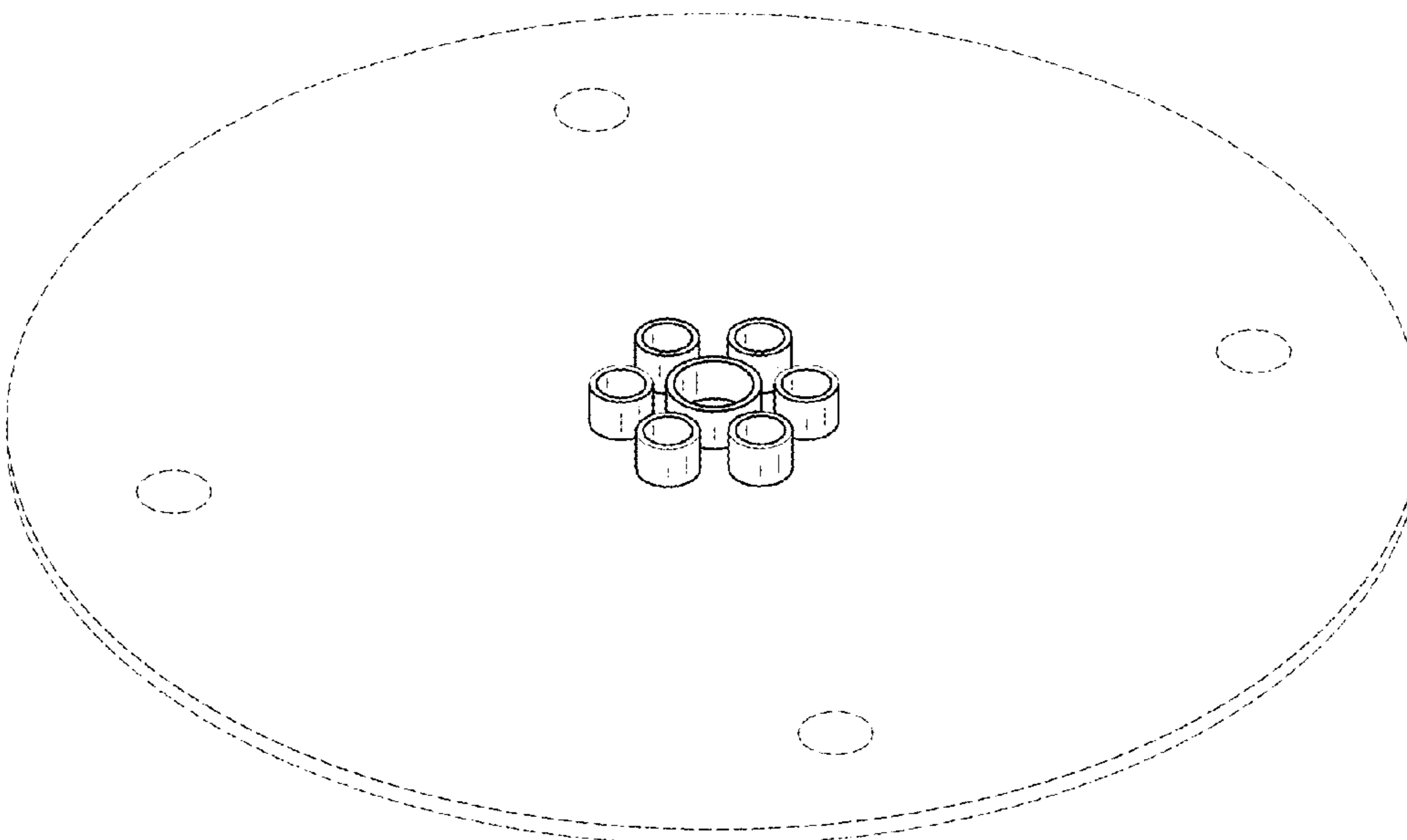
(57) **CLAIM**

The ornamental design for a balloon base, as shown and described.

DESCRIPTION

FIG. 1 is a perspective view of a balloon base showing my new design;
FIG. 2 is a front view thereof;
FIG. 3 is a rear view thereof;
FIG. 4 is a left side view thereof;
FIG. 5 is a right side view thereof;
FIG. 6 is a top view thereof;
FIG. 7 is a bottom view thereof;
FIG. 8 is an exploded view showing the balloon base with a plurality sets of balloon stick; and,
FIG. 9 is another perspective view showing the balloon base with the plurality sets of balloon stick installed thereon.
The broken line portions of the balloon base in FIGS. 1-9 represent unclaimed portions of the claimed design and form no part thereof. The broken lines of the plurality sets of balloon stick in FIGS. 8-9 illustrate unclaimed environment and forms no part of the claimed design.

1 Claim, 6 Drawing Sheets



(56)

References Cited

U.S. PATENT DOCUMENTS

2020/0122833 A1* 4/2020 Li B64D 1/18
2022/0113799 A1* 4/2022 Schorey G06F 3/0346

* cited by examiner

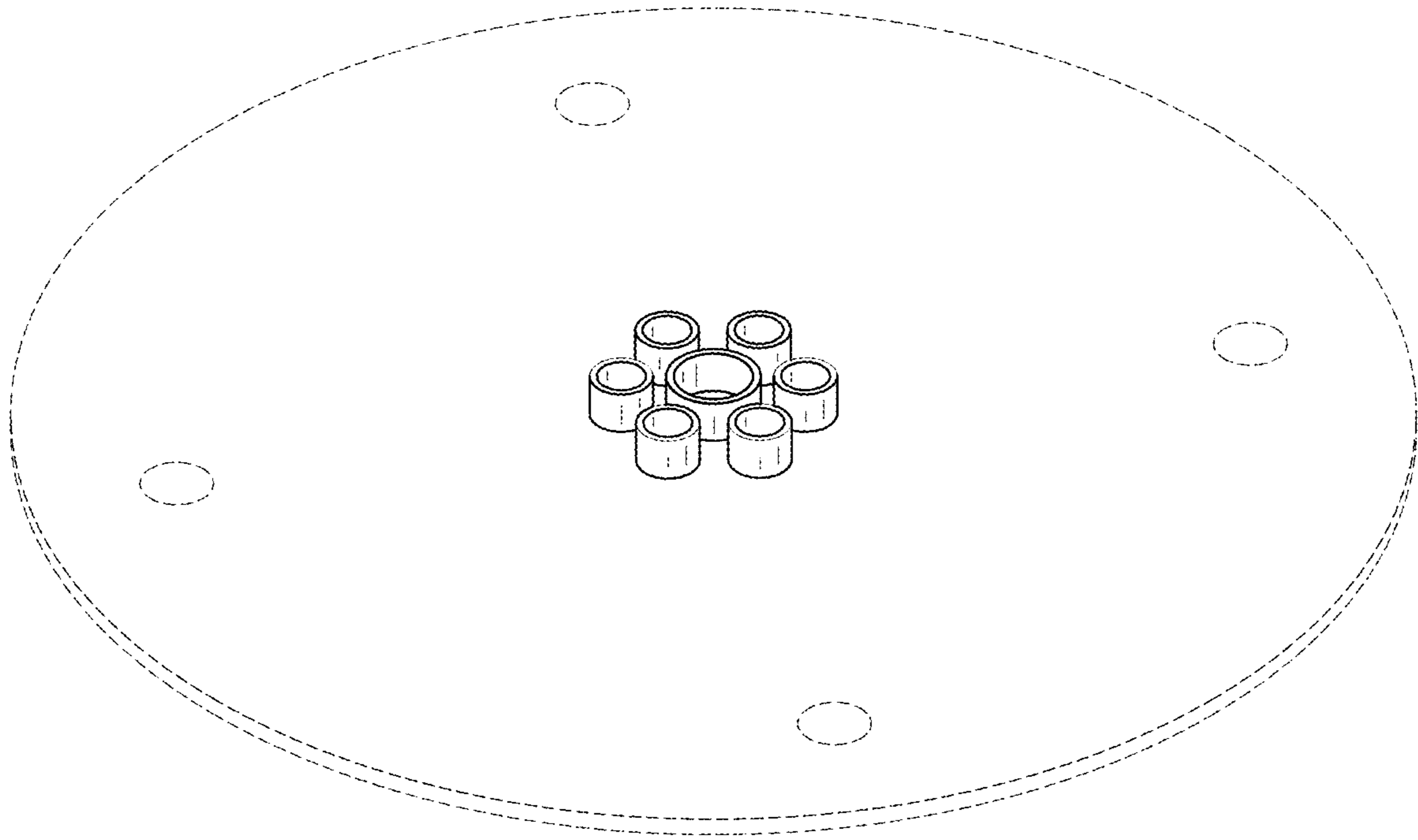


FIG. 1

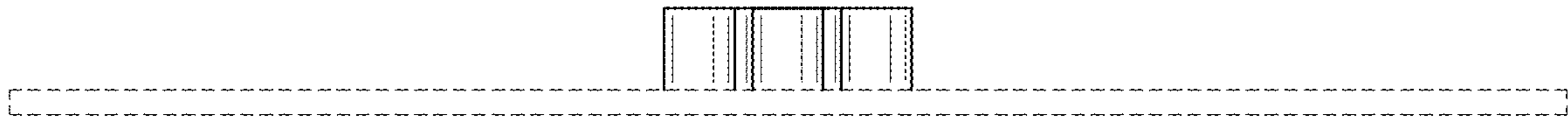


FIG. 2

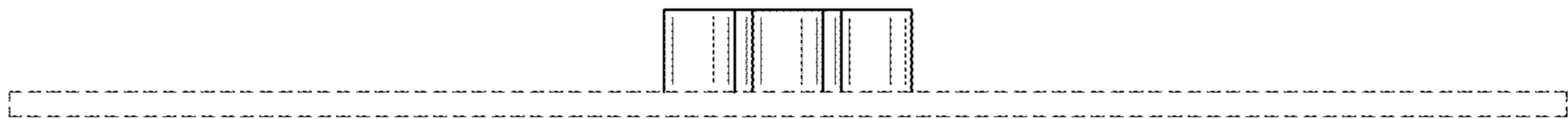


FIG. 3

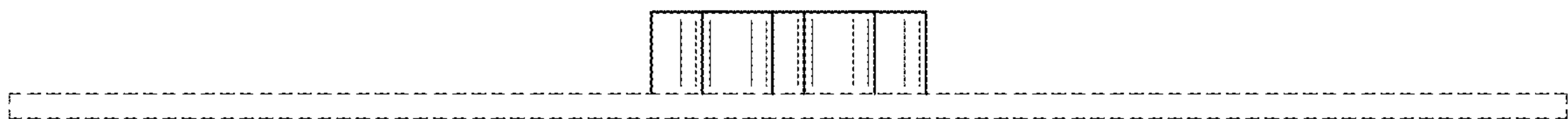


FIG. 4

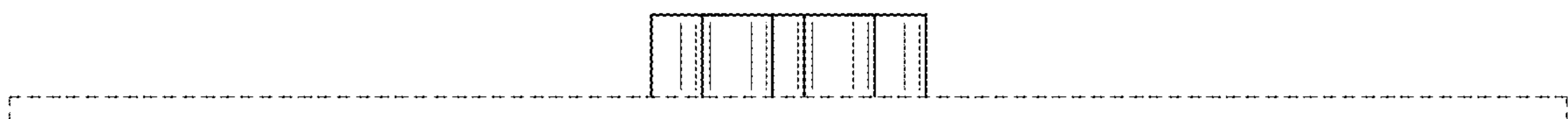


FIG. 5

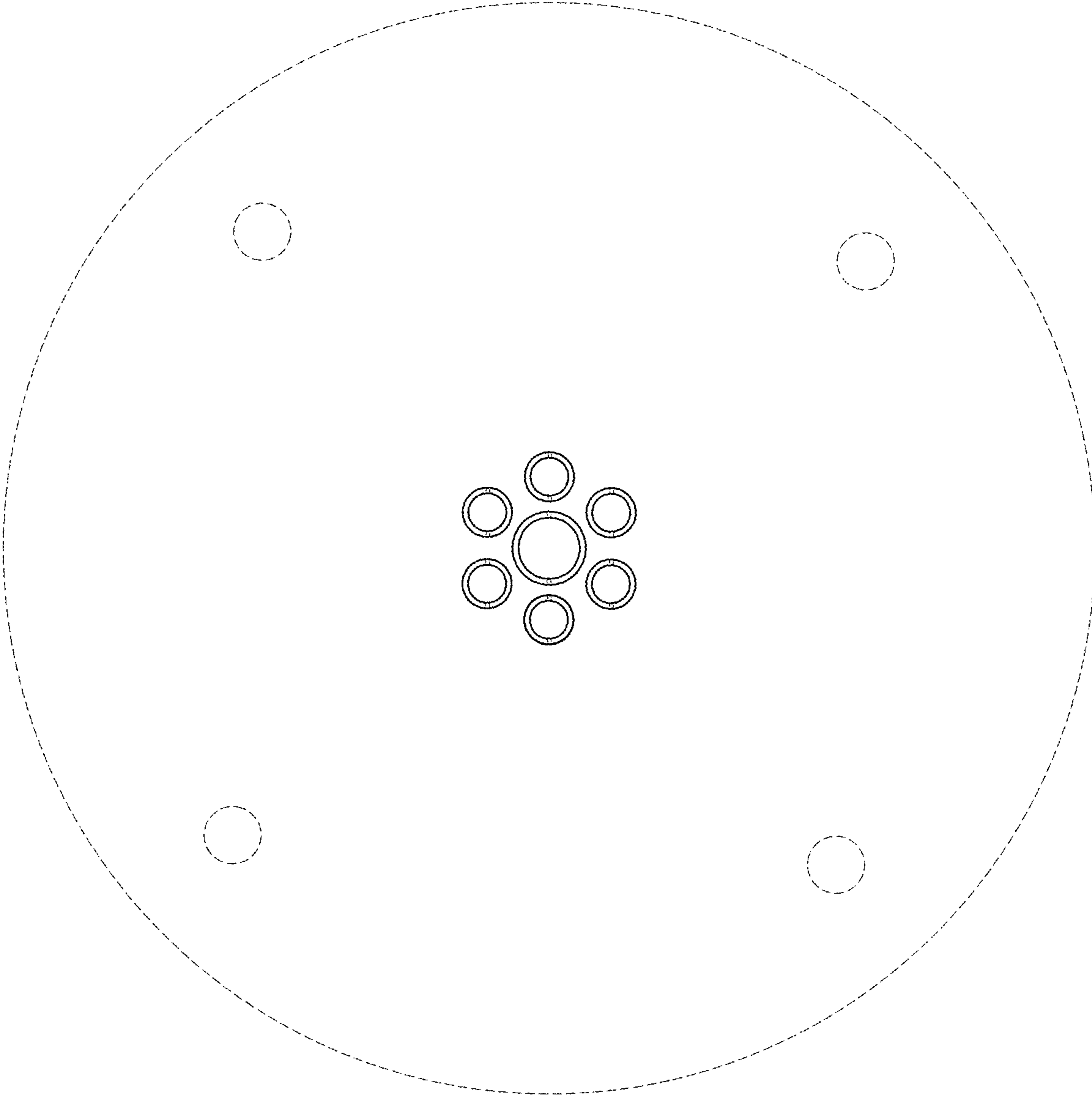


FIG. 6

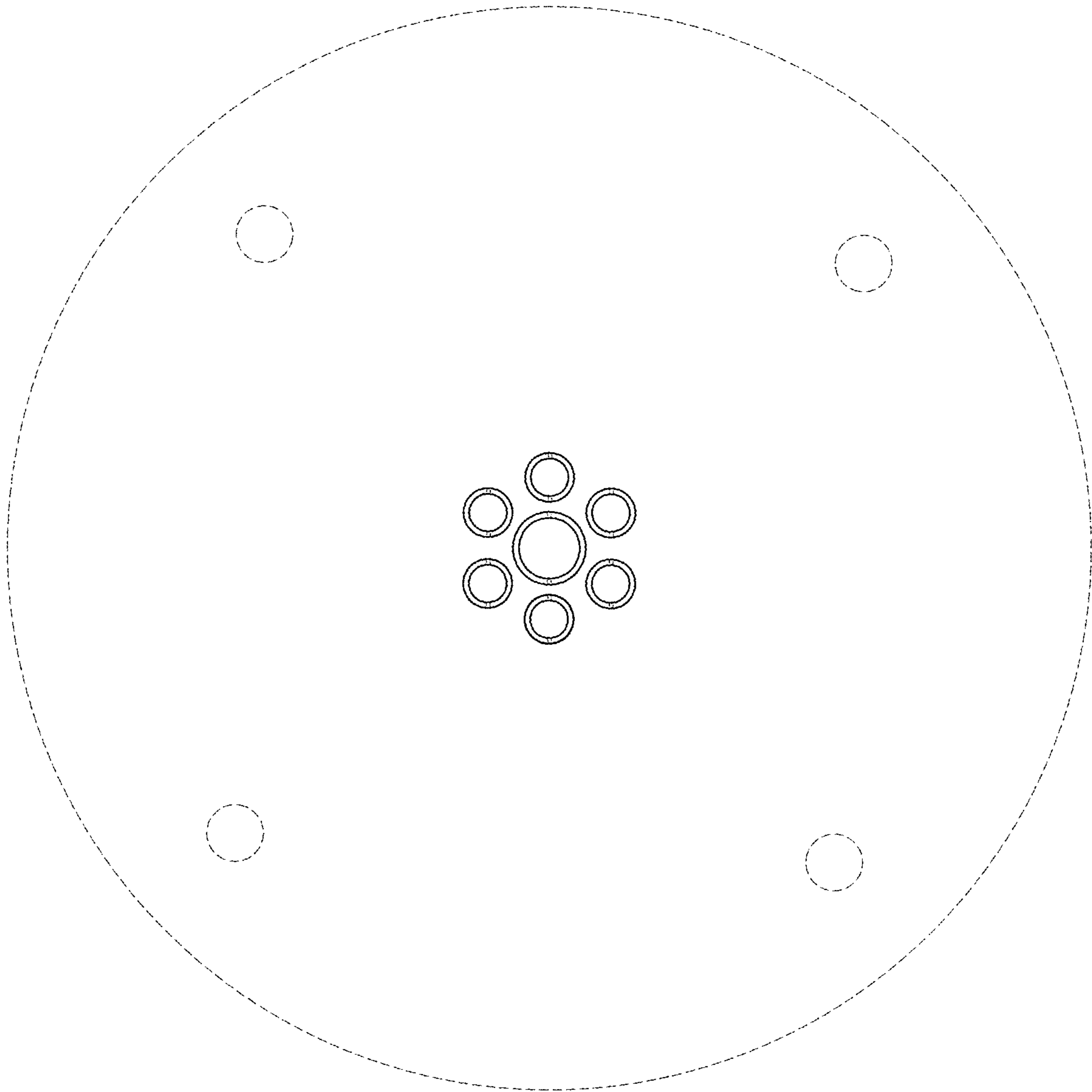


FIG. 7

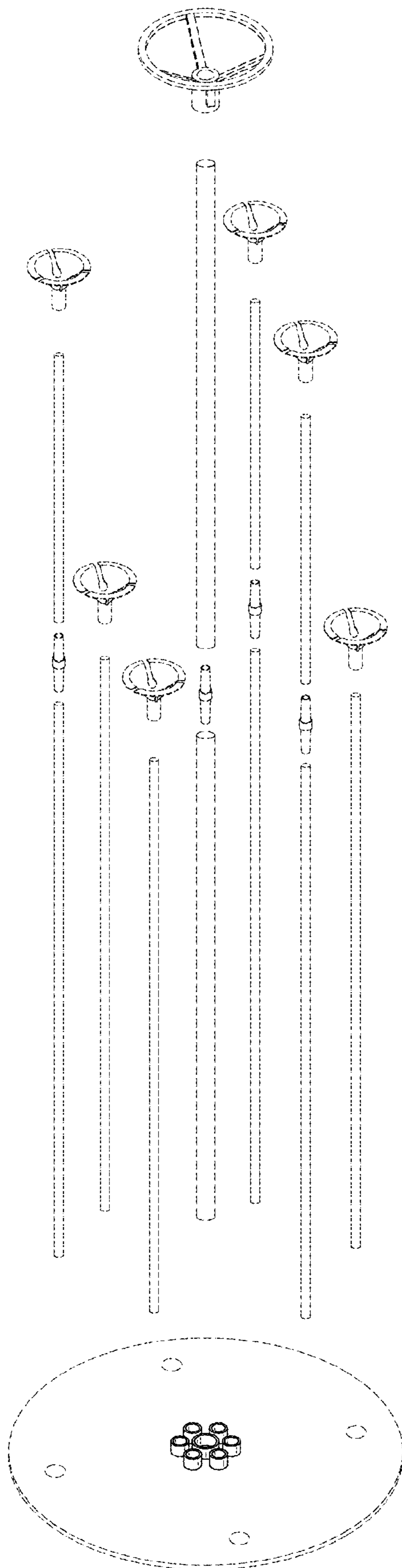


FIG. 8

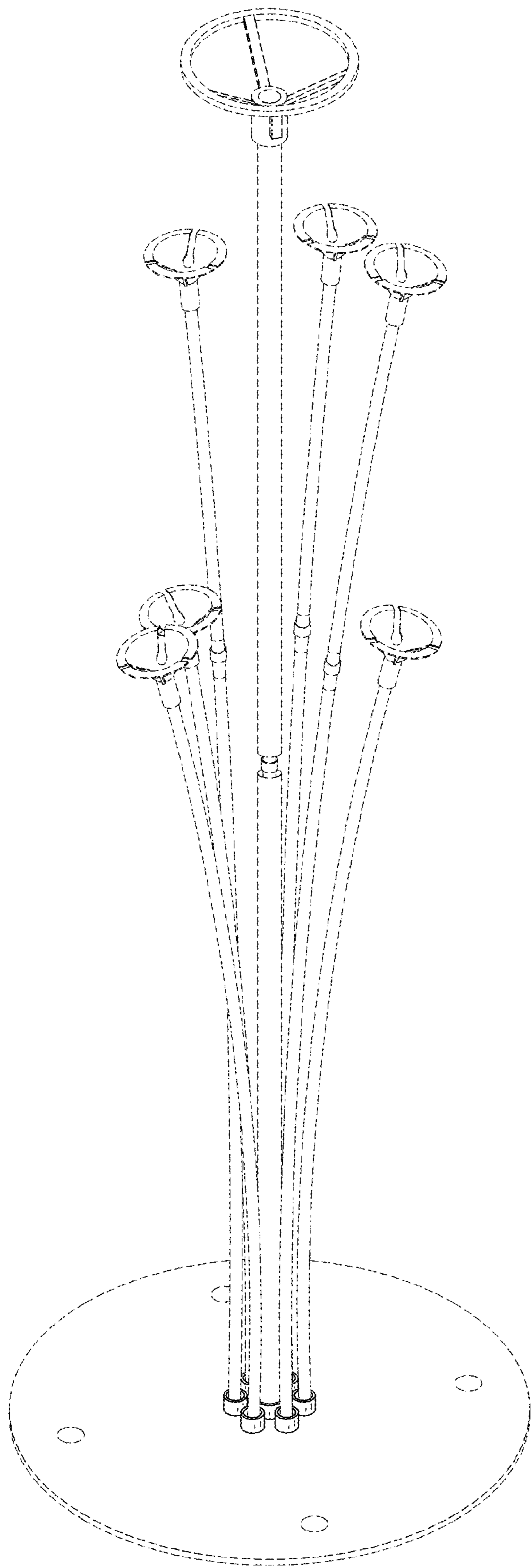


FIG. 9