



US00D958257S

(12) **United States Design Patent** (10) **Patent No.:** **US D958,257 S**
Cai et al. (45) **Date of Patent:** **** Jul. 19, 2022**

(54) **SCOOTER**

OTHER PUBLICATIONS

(71) Applicant: **INMOTION TECHNOLOGIES CO., LTD.**, Shenzhen (CN)

English Translation of CN 306032739 S; Date of Publication: Sep. 4, 2020; Application No. 202030133726.9; 3 Pages.

(72) Inventors: **Youfei Cai**, Shenzhen (CN); **Qingming Xiang**, Shenzhen (CN); **Yupeng Qiu**, Shenzhen (CN); **Qing Li**, Shenzhen (CN)

* cited by examiner

Primary Examiner — Cynthia M. Chin

(74) *Attorney, Agent, or Firm* — Cantor Colburn LLP

(**) Term: **15 Years**

(21) Appl. No.: **29/777,082**

(22) Filed: **Apr. 2, 2021**

(51) **LOC (13) Cl.** **21-01**

(52) **U.S. Cl.**
USPC **D21/423**

(58) **Field of Classification Search**
USPC D21/419, 421, 423, 432, 435, 760, 763,
D21/771; D12/1, 110
CPC B62K 3/002; B62K 9/00; B62K 2202/00;
B62K 15/00; B62K 2015/001; B62K
2015/003; B60Y 2200/126
See application file for complete search history.

(57) **CLAIM**

The ornamental design for a scooter, as shown and described.

DESCRIPTION

FIG. 1 is a front perspective view of a scooter;
FIG. 2 is a rear perspective view thereof;
FIG. 3 is a front view thereof;
FIG. 4 is a rear view thereof;
FIG. 5 is a left side view thereof;
FIG. 6 is a right side view thereof;
FIG. 7 is a top view thereof;
FIG. 8 is a bottom view thereof;
FIG. 9 is an enlarged partial view of the handlebar grip in FIG. 1;
FIG. 10 is an enlarged partial view of the handlebar in FIG. 2;
FIG. 11 is an enlarged partial view of the front wheel in FIG. 2; and,
FIG. 12 is an enlarged partial view of the kick stand in FIG. 2.
The broken lines are for the purpose of illustrating portions of the scooter that form no part of the claimed design. The broken lines in FIGS. 9-12 represent the boundaries of the enlarged partial views and form no part of the claimed design.

(56) **References Cited**

U.S. PATENT DOCUMENTS

D839,358 S * 1/2019 Cao D21/423
D905,794 S * 12/2020 Liu D21/423
D910,121 S * 2/2021 Liu D21/423
D912,736 S * 3/2021 Lee D21/423
D916,985 S * 4/2021 Wu D21/423
D917,626 S * 4/2021 Ye D21/423
D923,104 S * 6/2021 Zheng D21/423
D923,715 S * 6/2021 Wang D21/423
D926,890 S * 8/2021 Lu D21/423
2020/0283086 A1 * 9/2020 Ulmen B62K 3/002

FOREIGN PATENT DOCUMENTS

CN 306032739 S 9/2020

1 Claim, 12 Drawing Sheets

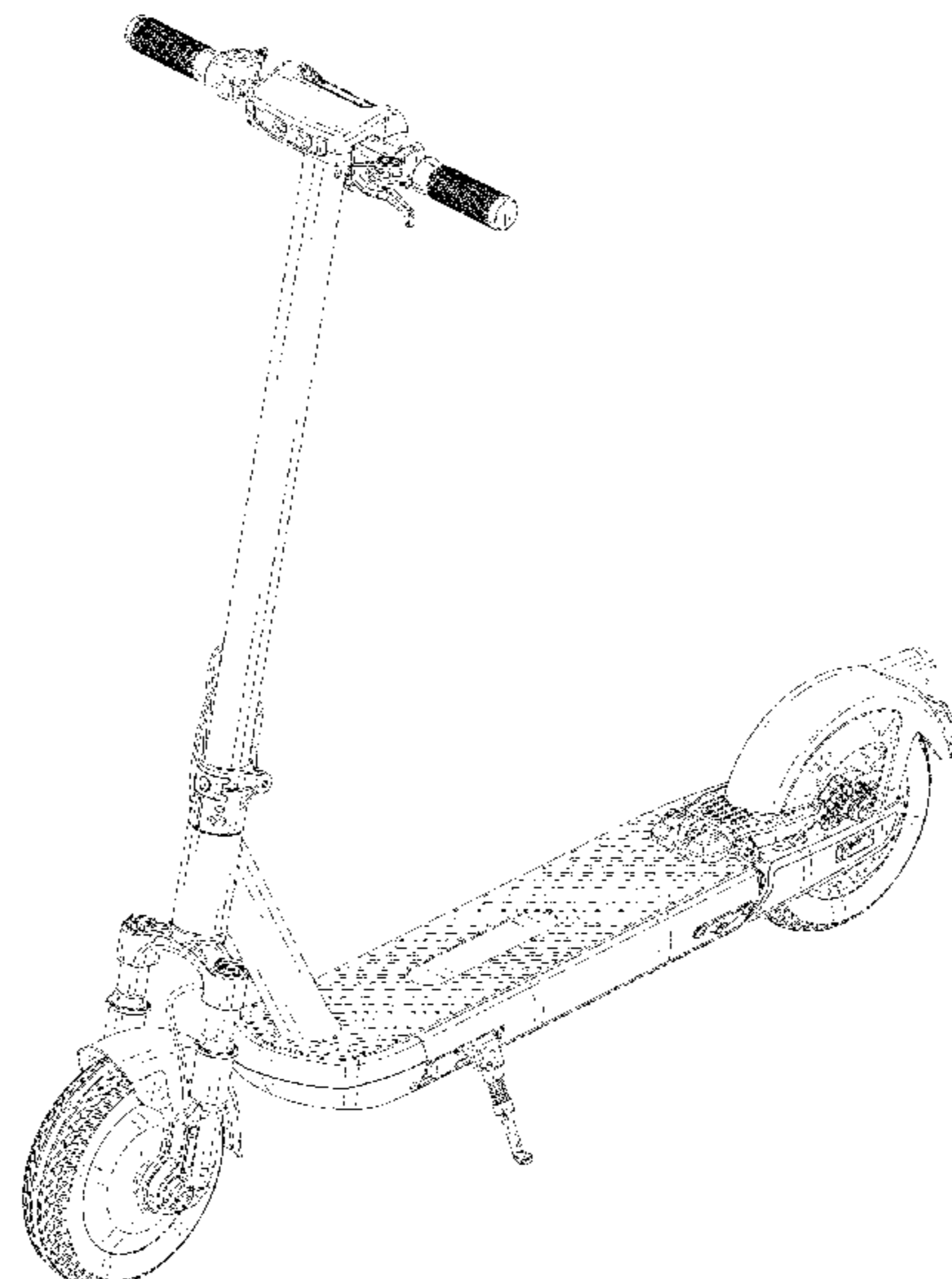




FIG. 1

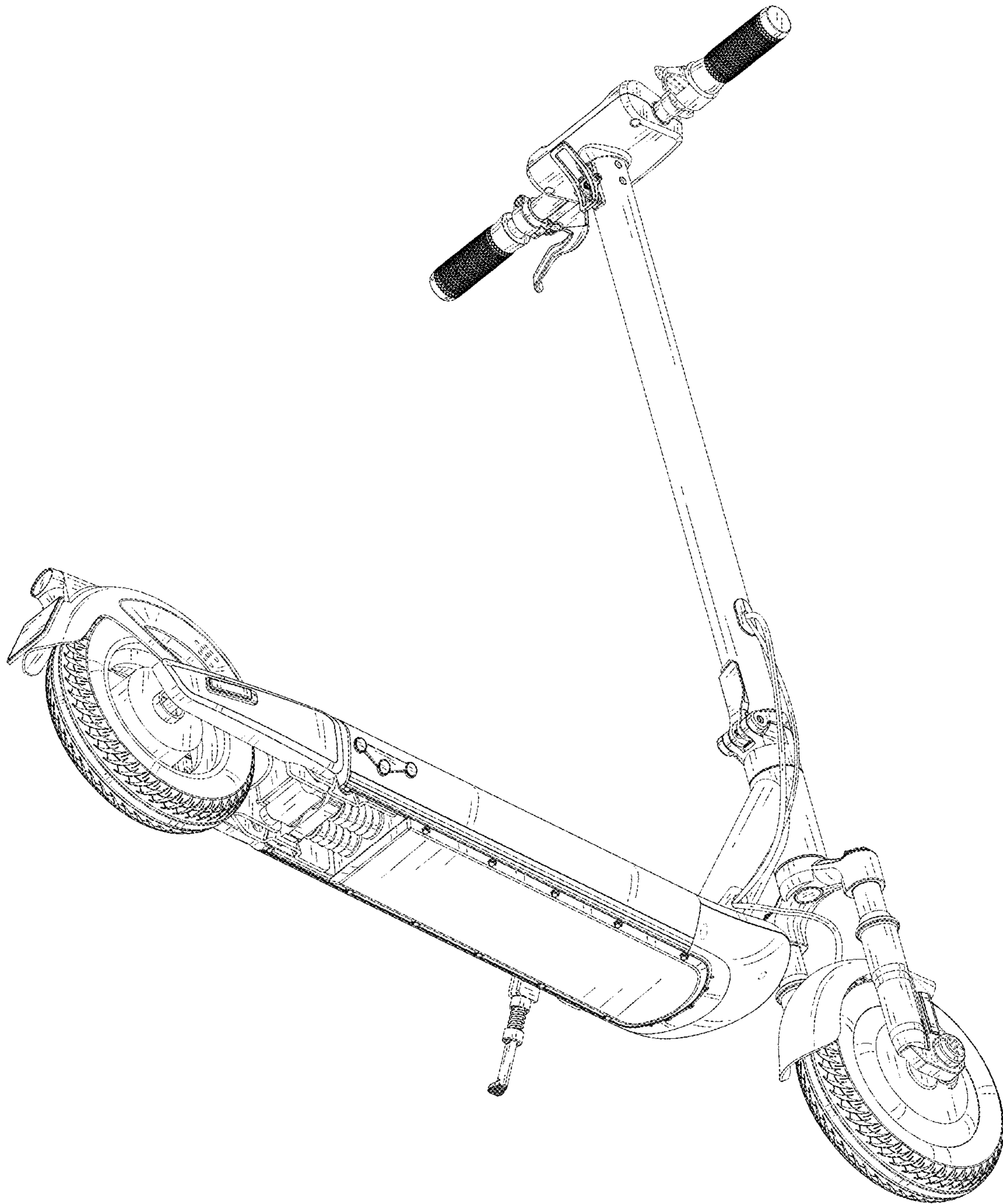


FIG. 2

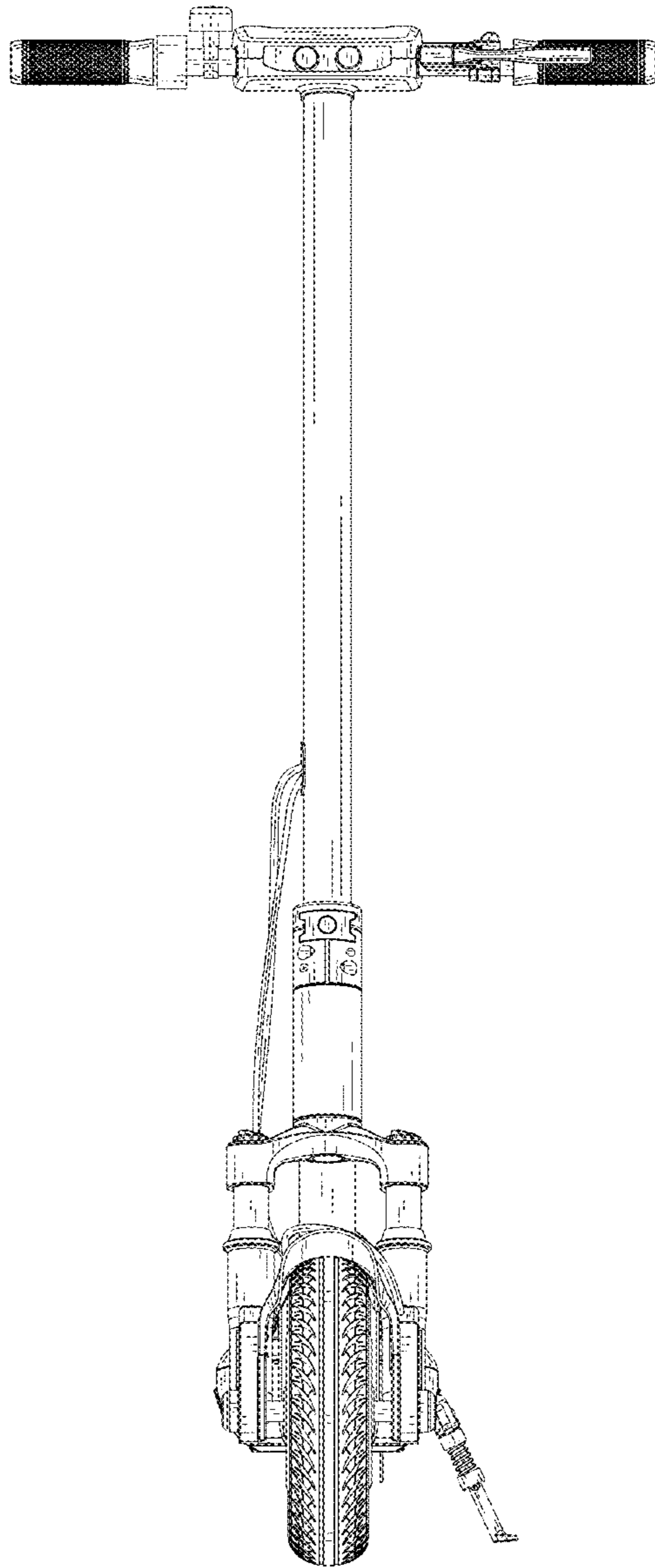


FIG. 3

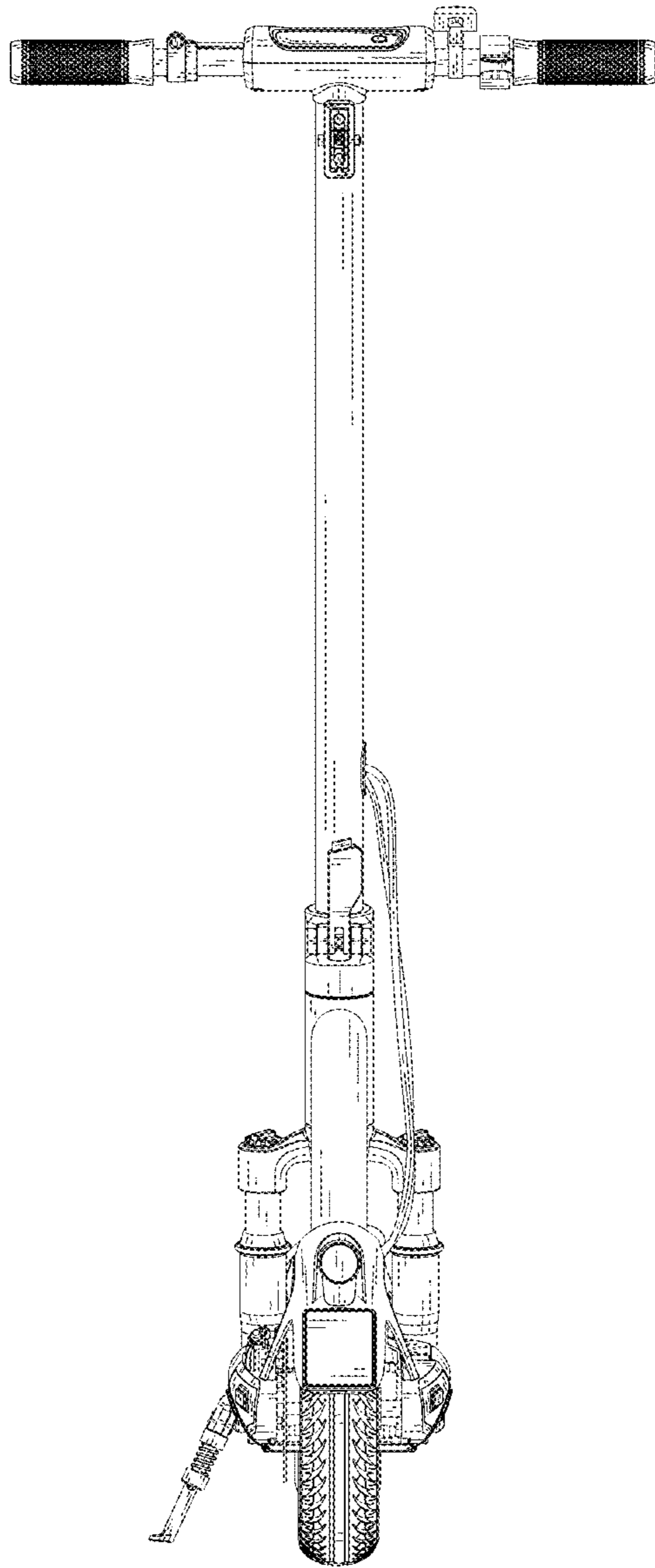


FIG. 4



FIG. 5



FIG. 6

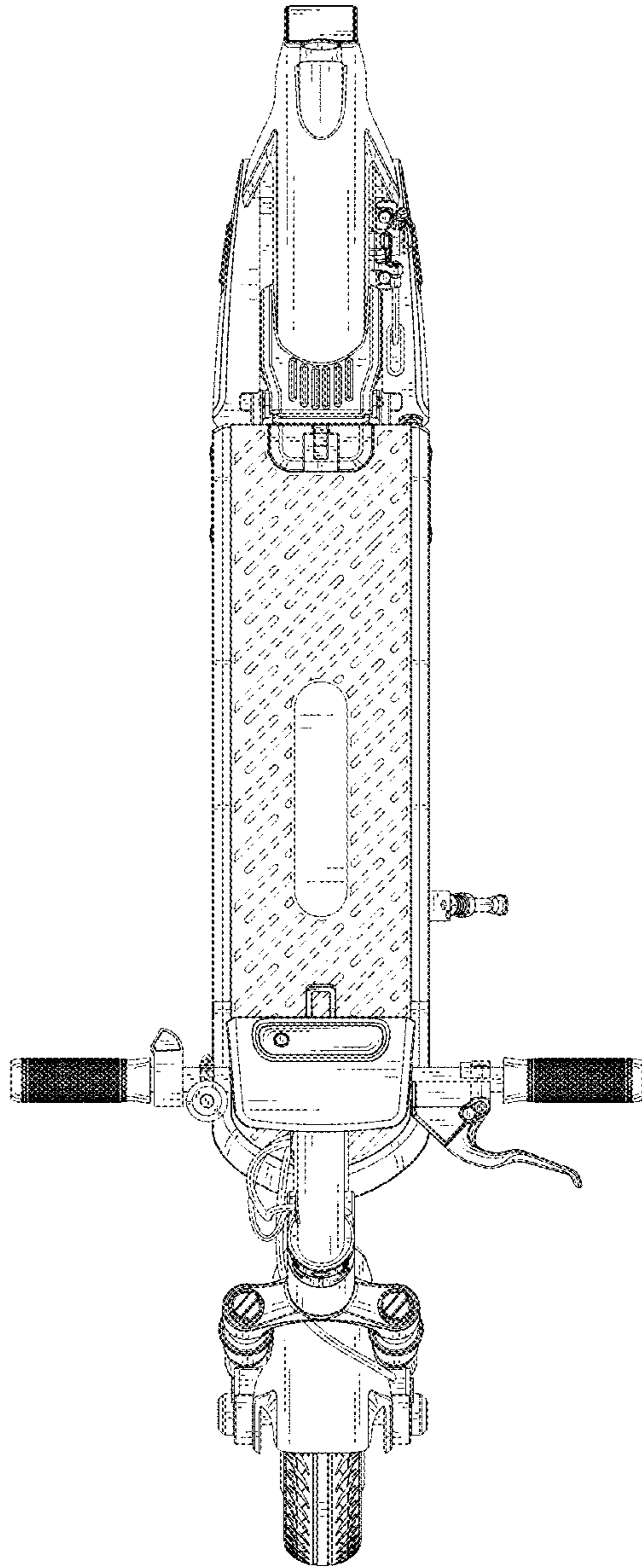


FIG. 7

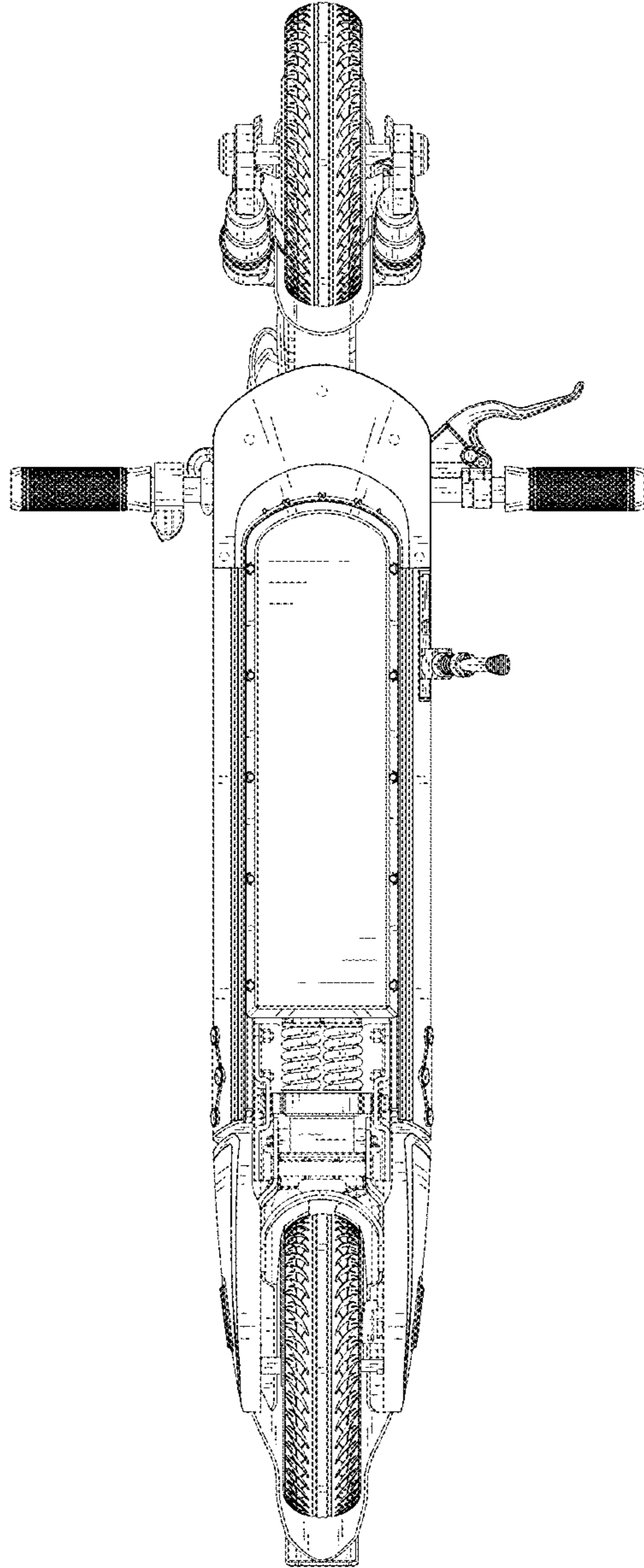


FIG. 8

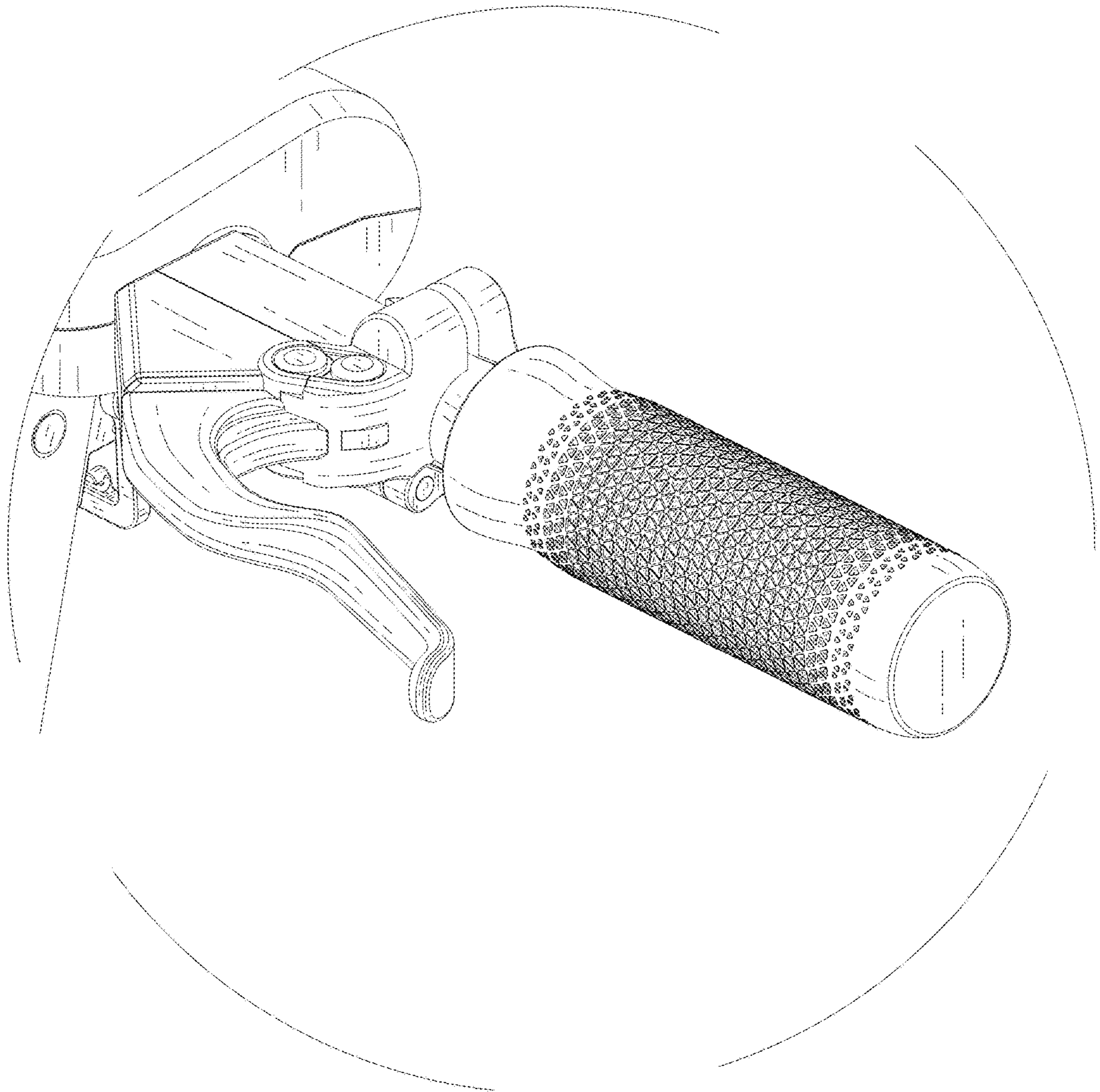


FIG. 9

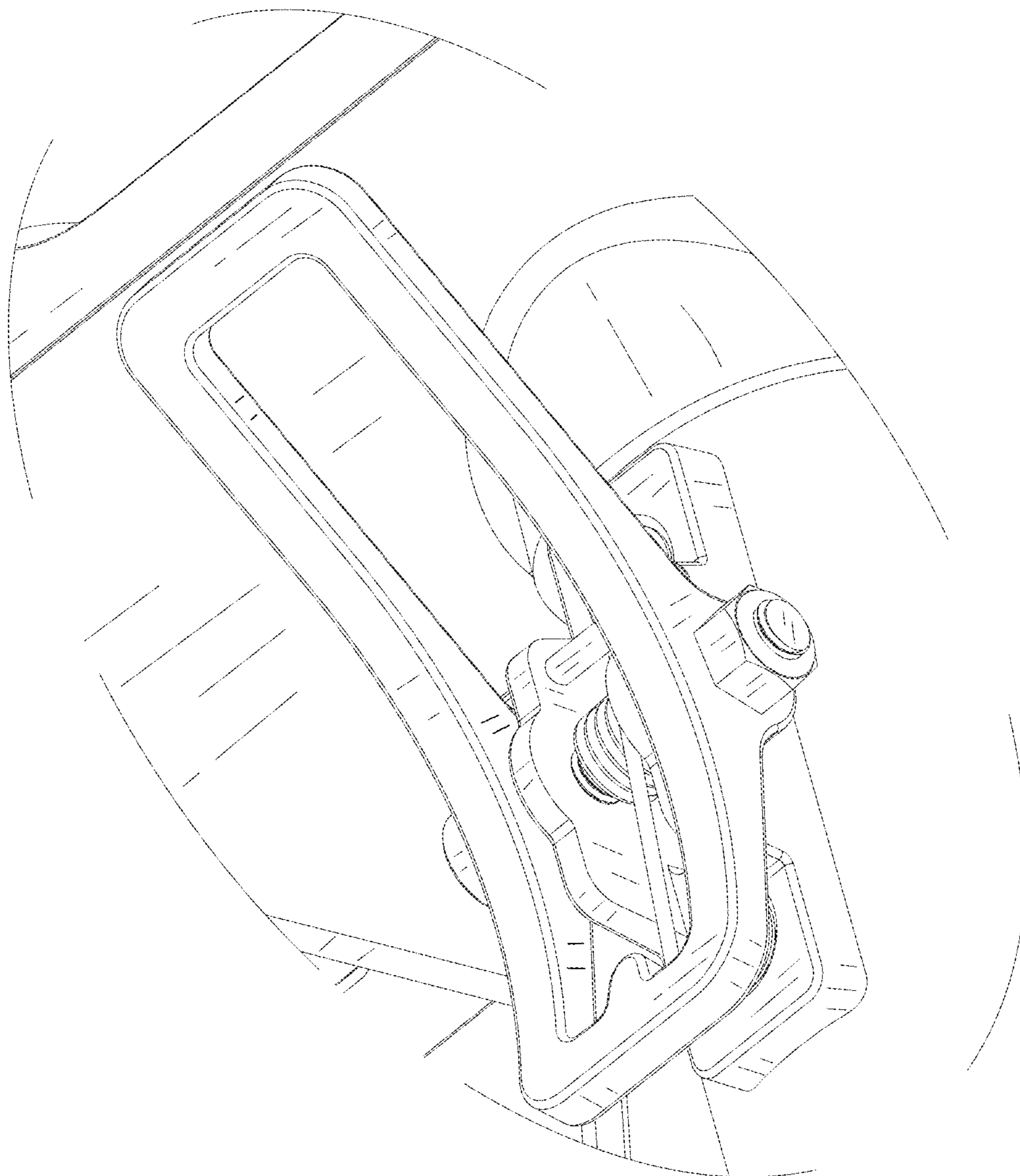


FIG. 10

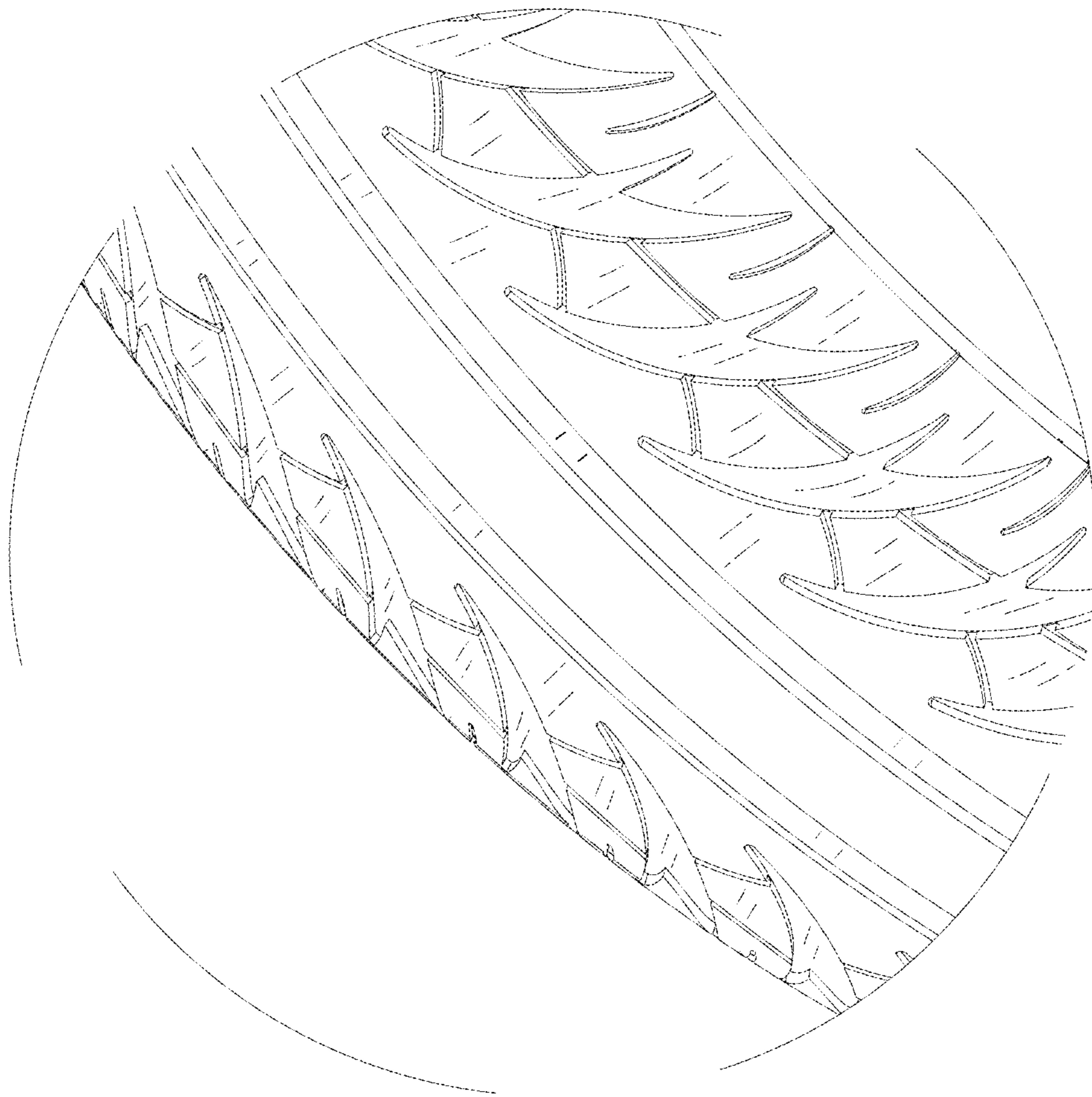


FIG. 11

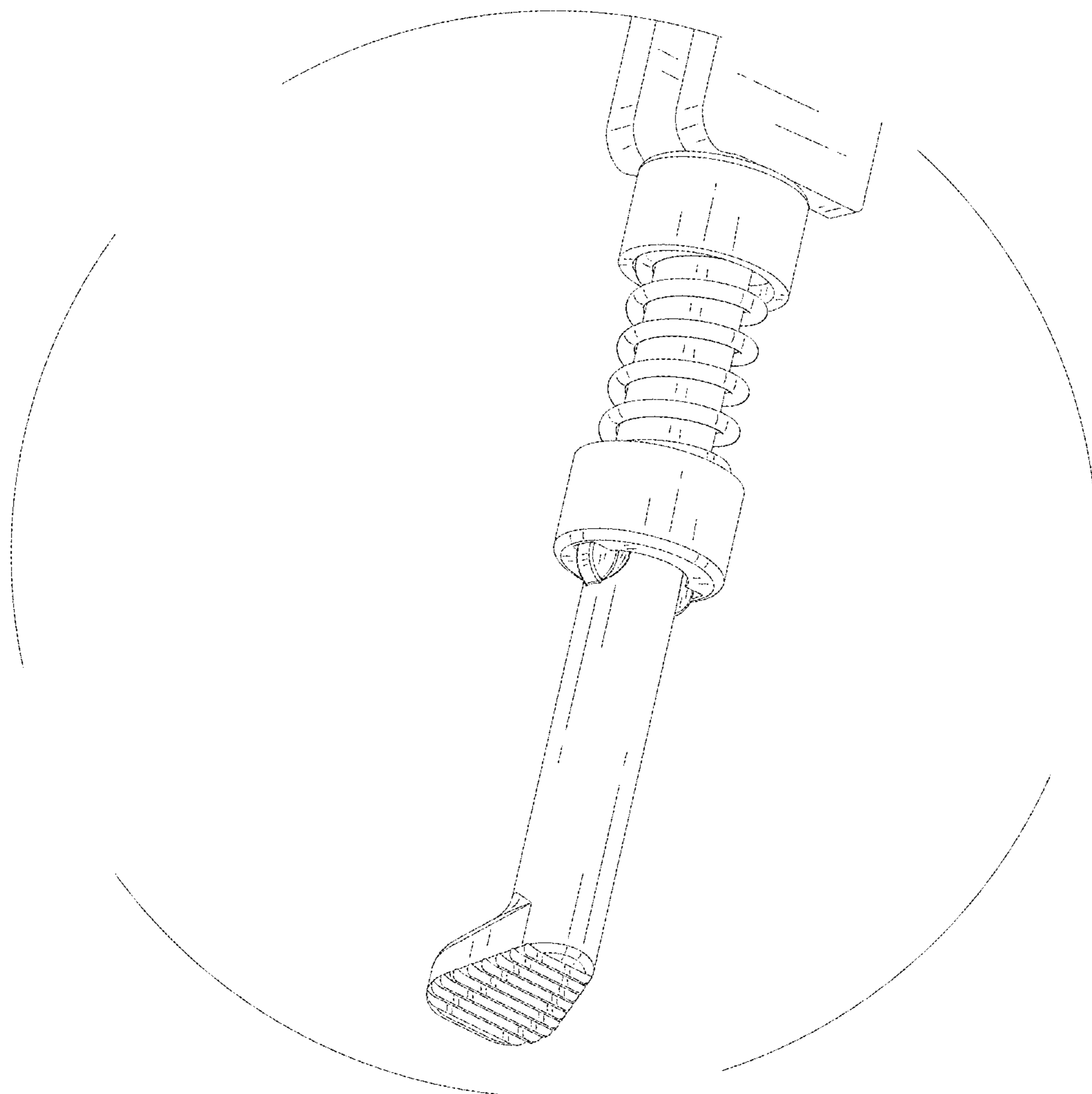


FIG. 12