



US00D958255S

(12) **United States Design Patent** (10) **Patent No.:** **US D958,255 S**
Carlson et al. (45) **Date of Patent:** **** Jul. 19, 2022**

(54) **GAME CASE**

(71) Applicants: **Jeremy Carlson**, Dell Rapids, SD (US); **Melissa Carlson**, Dell Rapids, SD (US)

(72) Inventors: **Jeremy Carlson**, Dell Rapids, SD (US); **Melissa Carlson**, Dell Rapids, SD (US)

(**) Term: **15 Years**

(21) Appl. No.: **29/698,951**

(22) Filed: **Jul. 22, 2019**

(51) **LOC (13) Cl.** **21-01**

(52) **U.S. Cl.**
USPC **D21/343**; D21/393

(58) **Field of Classification Search**
USPC D21/300, 324, 333-346, 365, 369, 385, D21/392-397, 148 R, 309, 459, 460; 273/342-346, 335, 236, 237, 238, 242, 273/244.2, 248-263, 274, 275, 277-291, 273/292; D10/46.1, 46; 235/90, 235/1 B-1 D; 463/13, 1, 46, 47; 16/225; 116/222-225, 325, 326
CPC A63F 1/00; A63F 1/06; A63F 1/062; A63F 1/067; A63F 1/18; A63F 3/0023; A63F 3/00574; A63F 3/00006; A63F 3/00643; A63F 3/00082; A63F 3/00097; A63F 3/00173; A63F 3/00157; A63F 3/00261; A63F 2003/00233; A63F 2003/00946; A63F 2003/00943; A63F 2003/0034; A63F 2003/00583; A63F 2003/00182; A63F 2003/0022; A63F 2003/00255; A63F 2003/00457; A63F 2250/20; A63F 9/0093; A63F 9/24; A63F 11/0051; A63F 2011/0055; A63F 2009/245134

See application file for complete search history.

(56) **References Cited**

U.S. PATENT DOCUMENTS

2,448,151 A * 8/1948 Noel A63F 7/0608
273/144 R
3,841,260 A * 10/1974 Sharp A61B 10/00
235/90
D391,321 S * 2/1998 Hill D21/393

OTHER PUBLICATIONS

Horse Race Wood Board Game <https://acrosstheboardgame.com/product/horseracing-game-walnut> Mar. 2018 (Year: 2018).*

* cited by examiner

Primary Examiner — Susan Moon Lee

(74) *Attorney, Agent, or Firm* — Zarley Law Firm P.L.C.

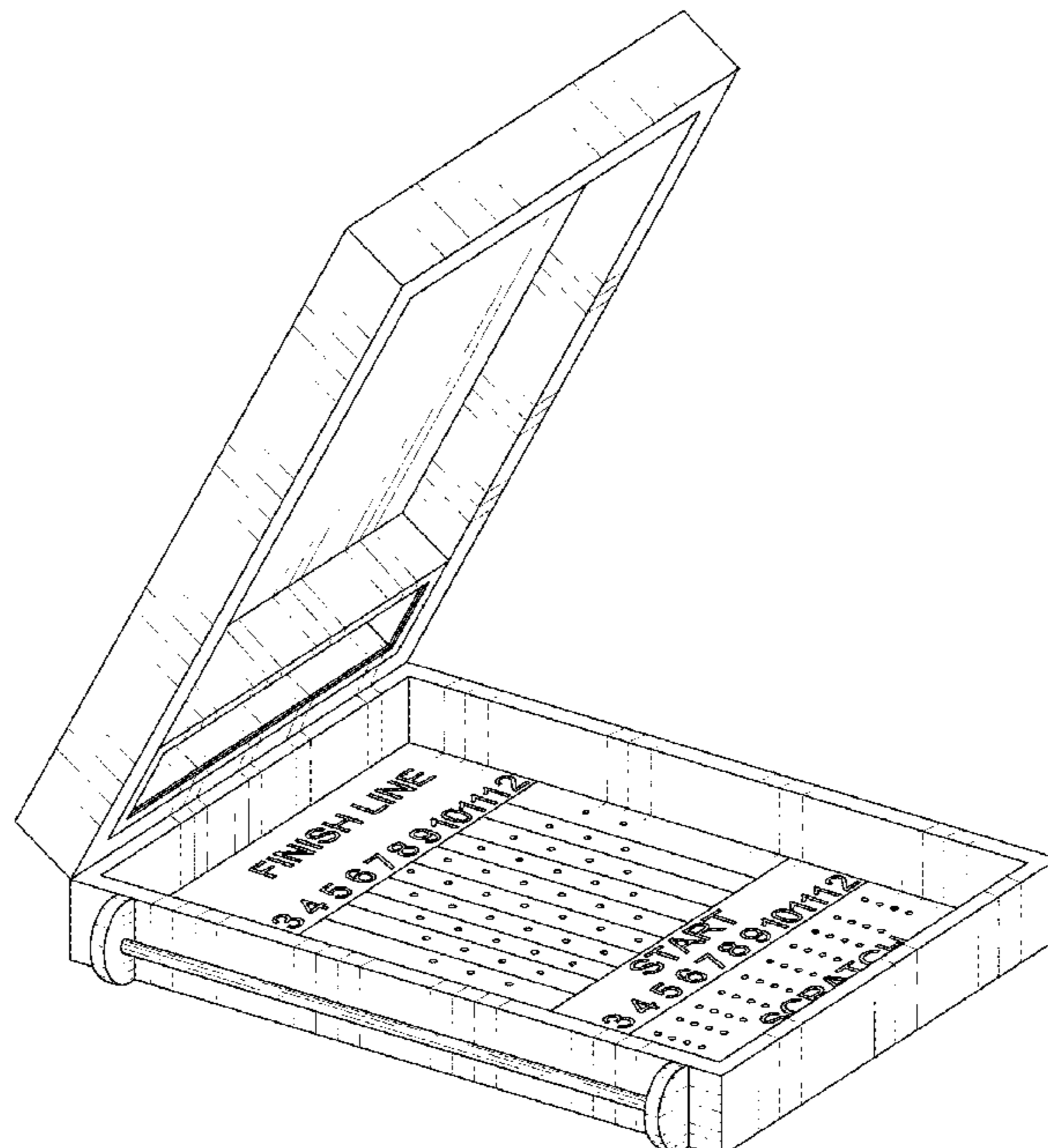
(57) **CLAIM**

We claim the ornamental design for a game case, substantially as shown and described.

DESCRIPTION

FIG. 1 is a top plan view of a game case, shown in a closed state;
FIG. 2 is a bottom plan view thereof;
FIG. 3 is a side view thereof;
FIG. 4 is a side view thereof;
FIG. 5 is a front end view thereof;
FIG. 6 is a rear end view thereof;
FIG. 7 is a perspective view thereof;
FIG. 8 is a top plan view of the game case shown in an open state;
FIG. 9 is a perspective view of a game case;
FIG. 10 is a perspective view of a game case;
FIG. 11 is an exploded perspective view of a game case; and,
FIG. 12 is a perspective view thereof.

1 Claim, 10 Drawing Sheets



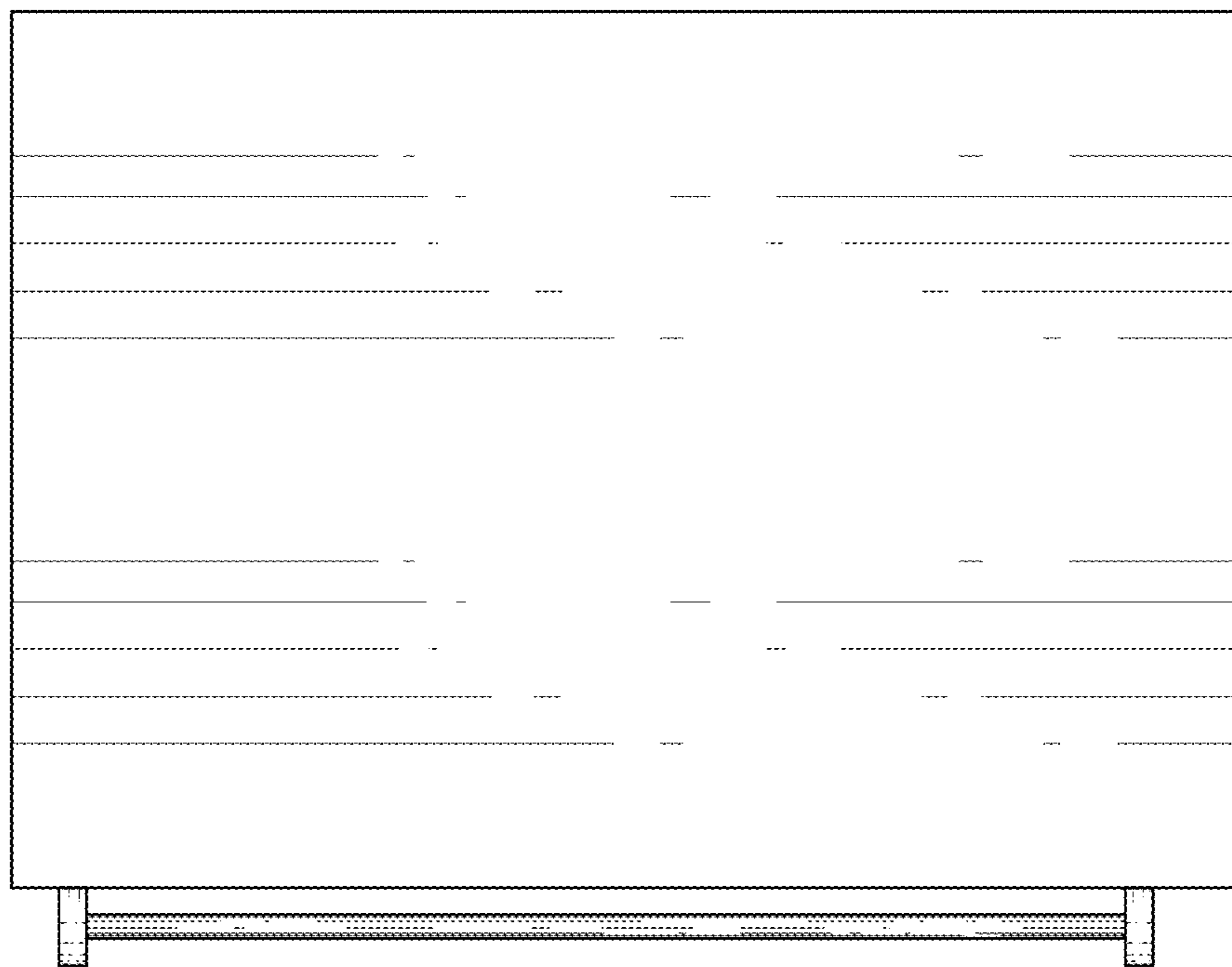


FIG. 1

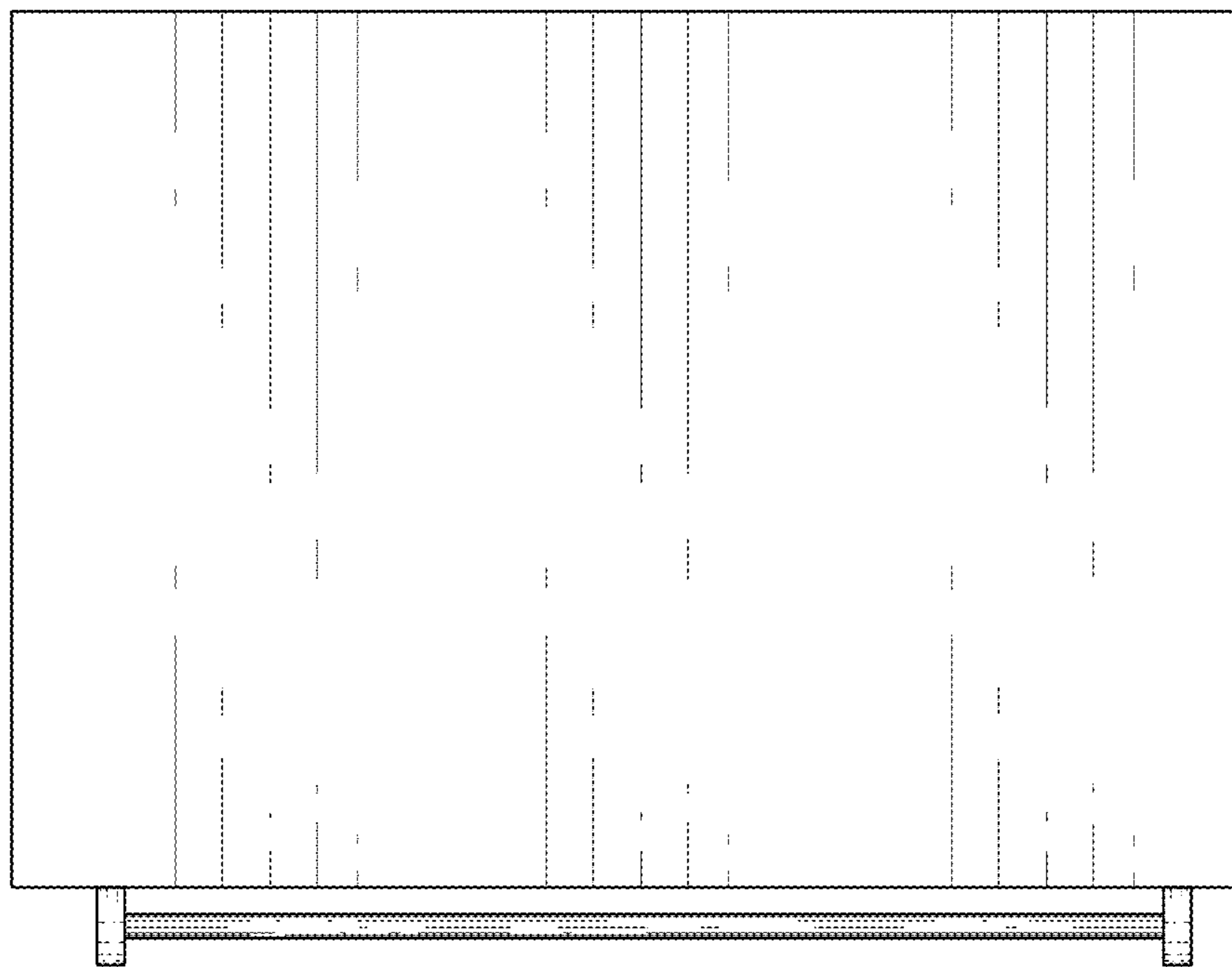


FIG. 2

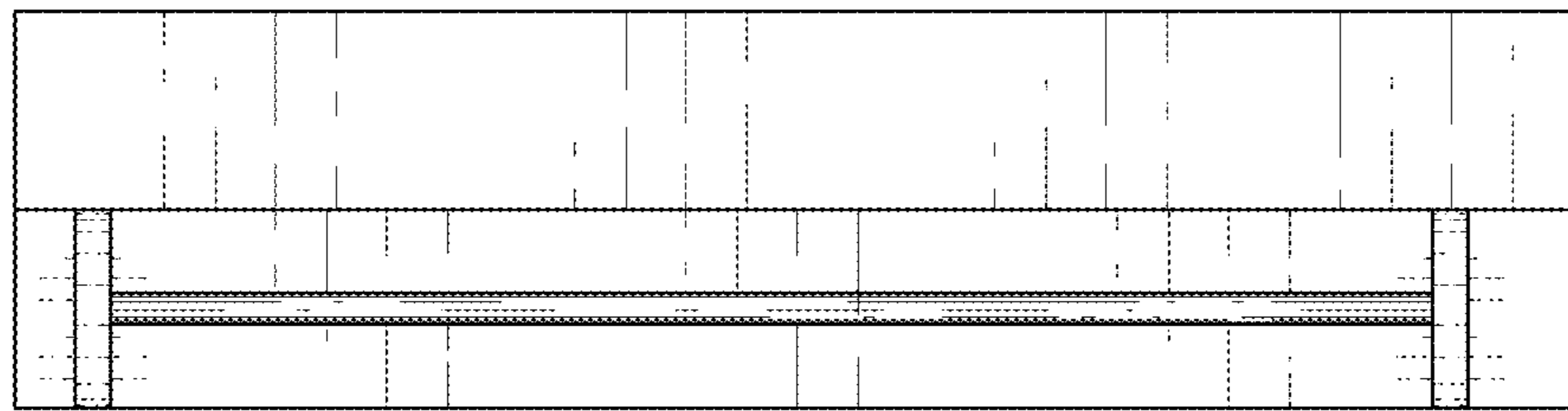


FIG. 3

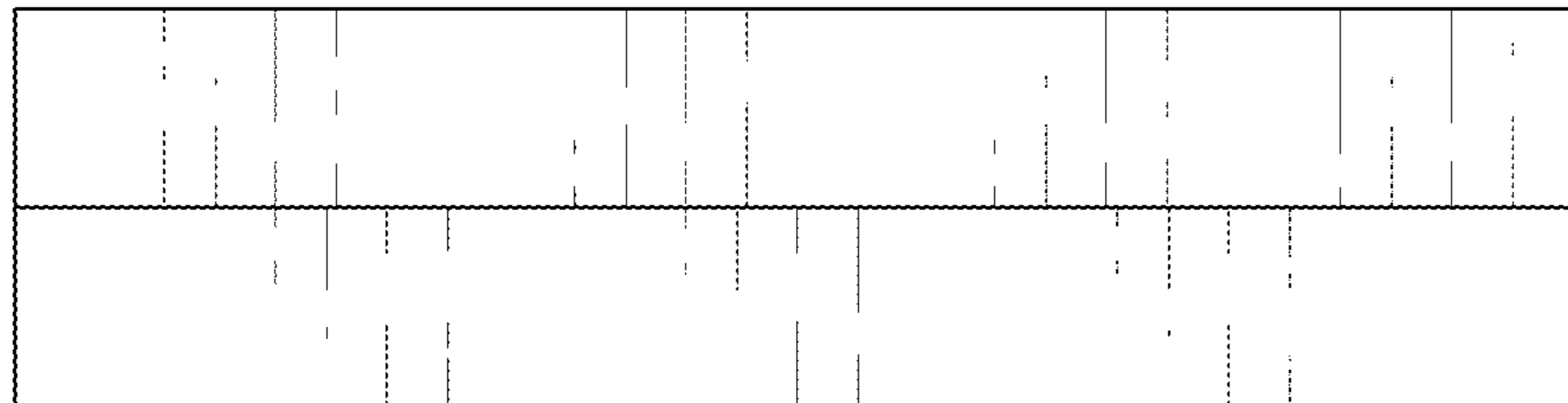


FIG. 4

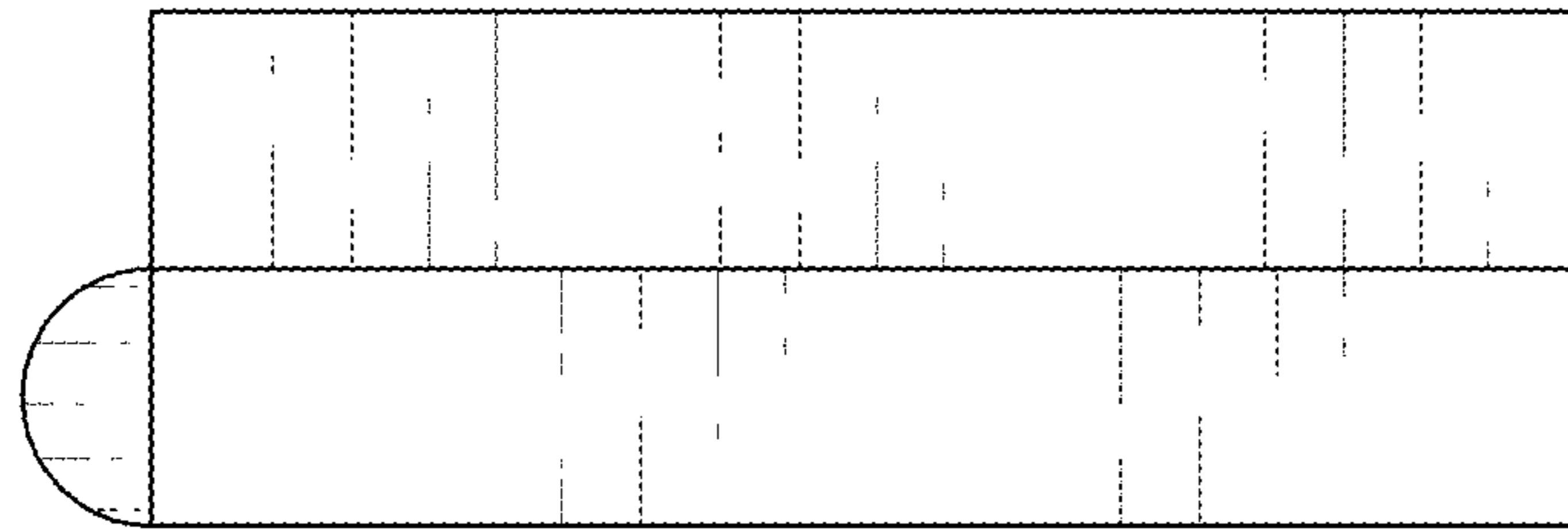


FIG. 5

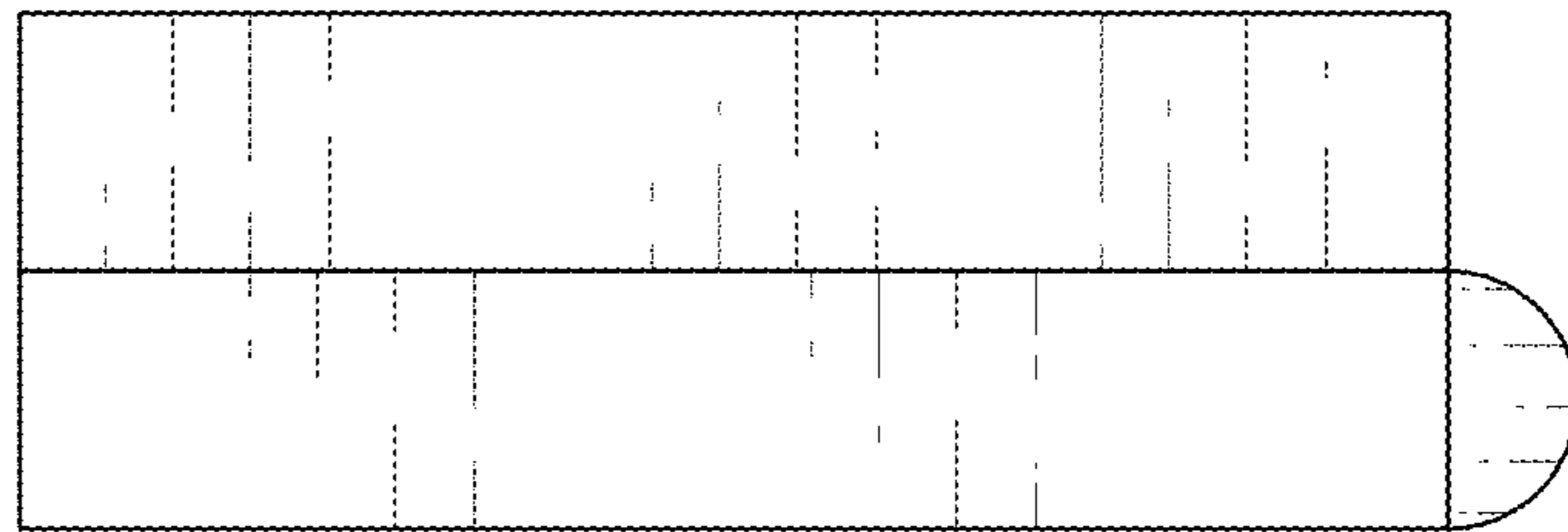


FIG. 6

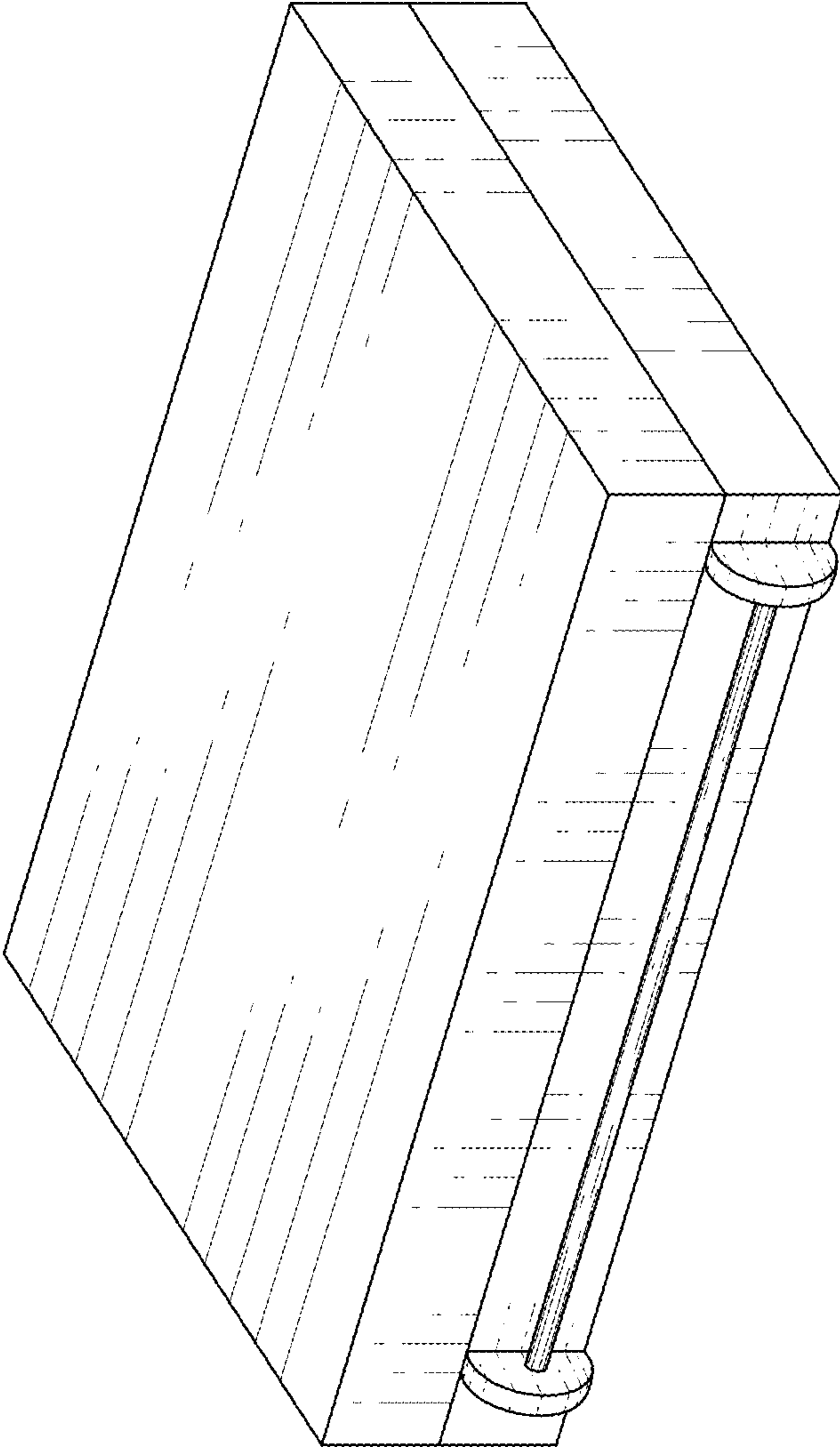


FIG. 7

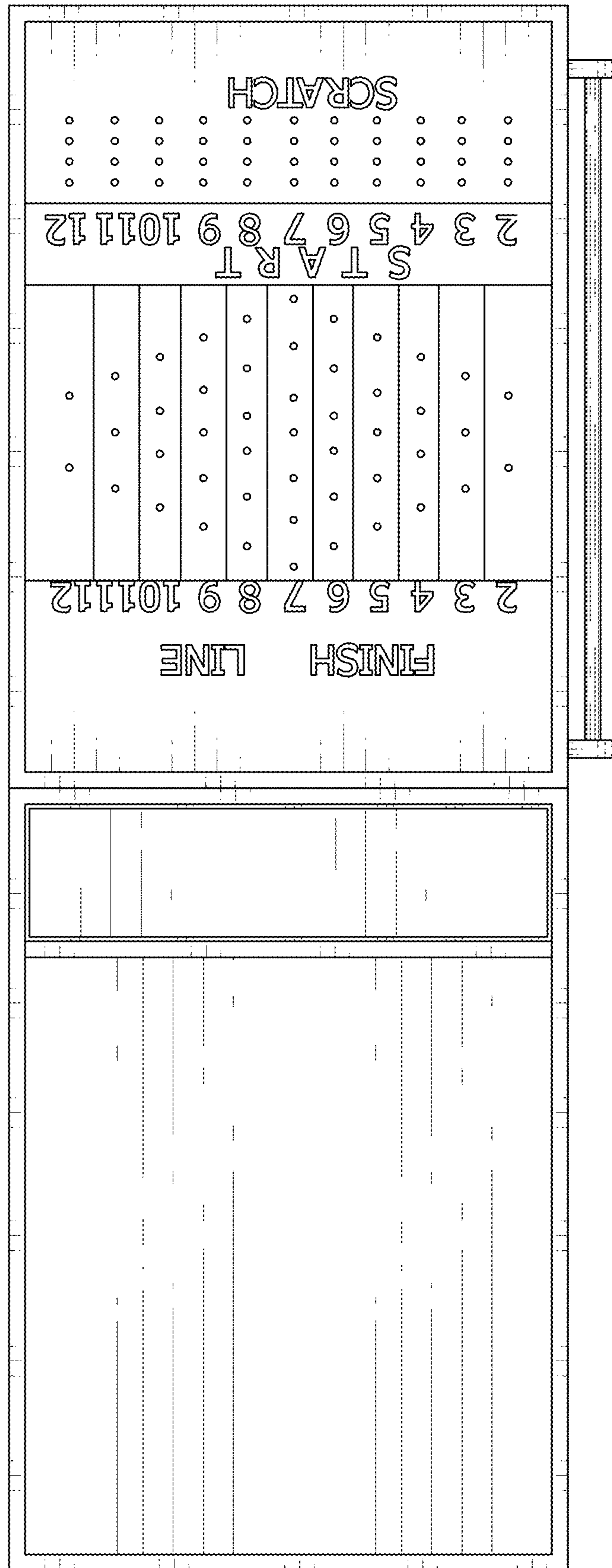


FIG. 8

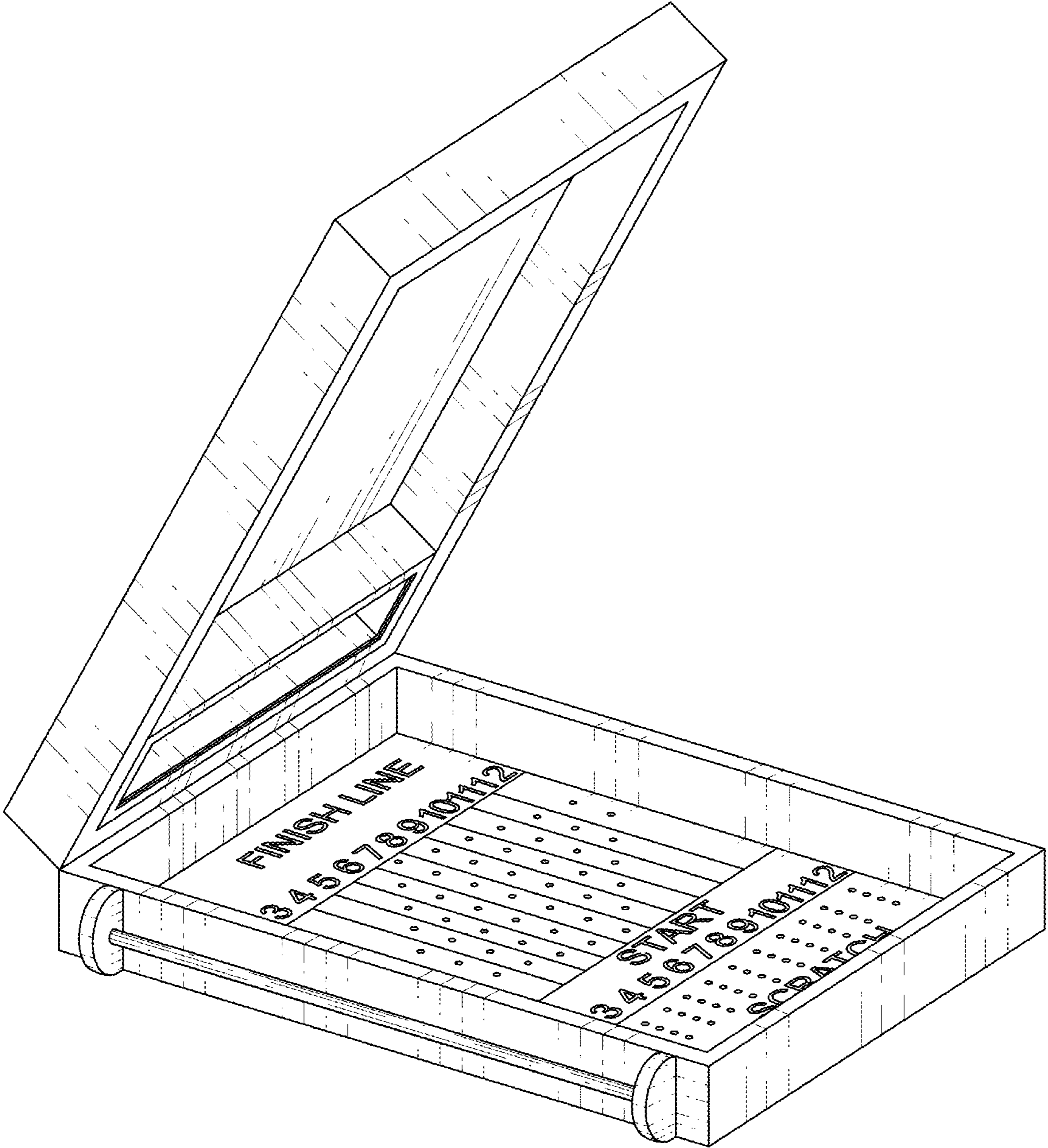


FIG. 9

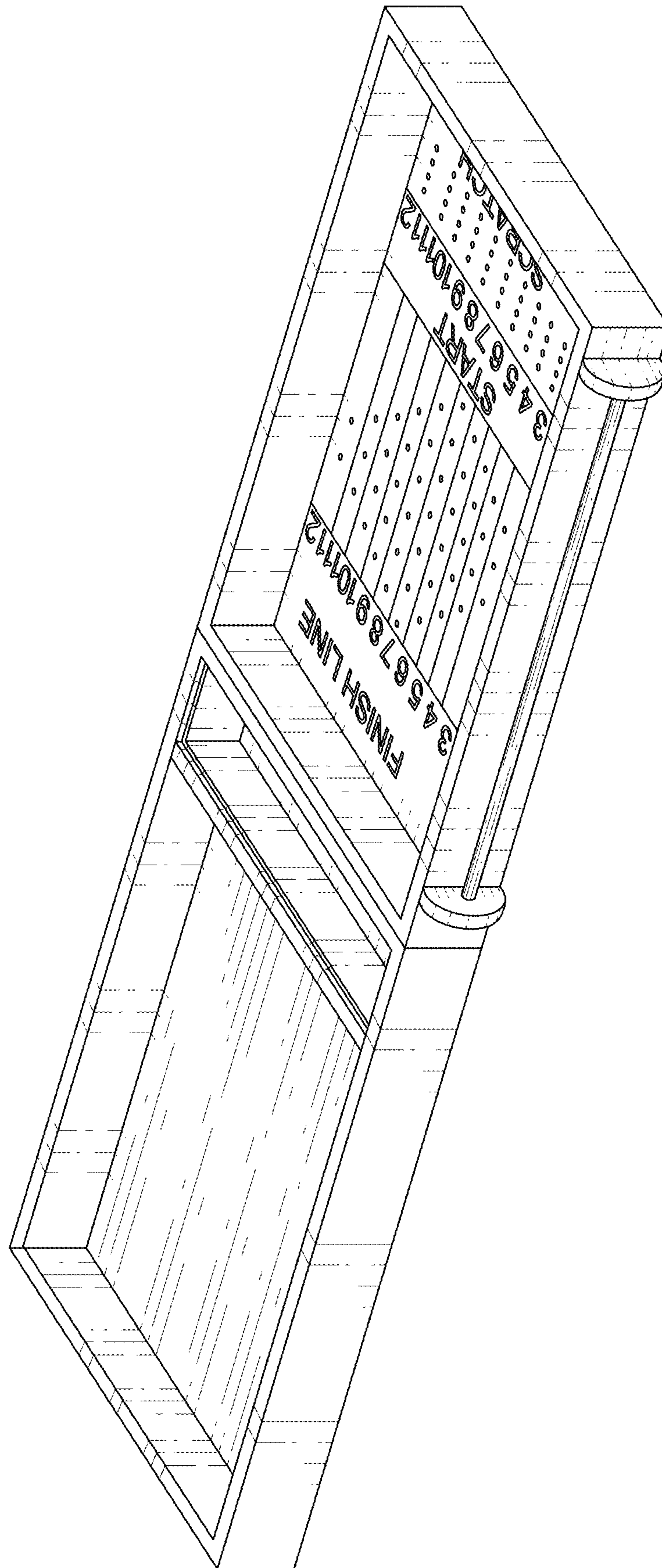


FIG. 10

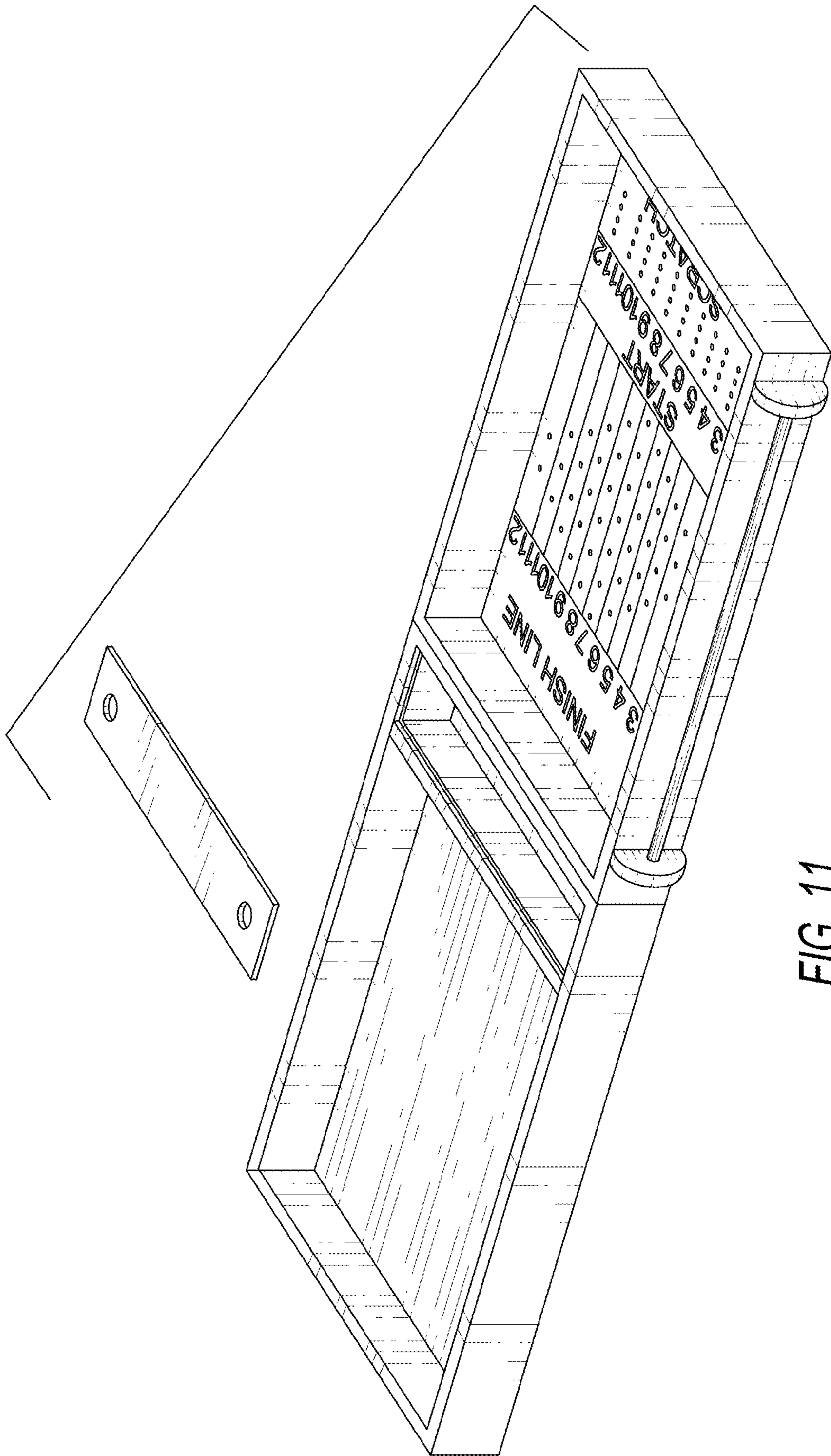


FIG. 11

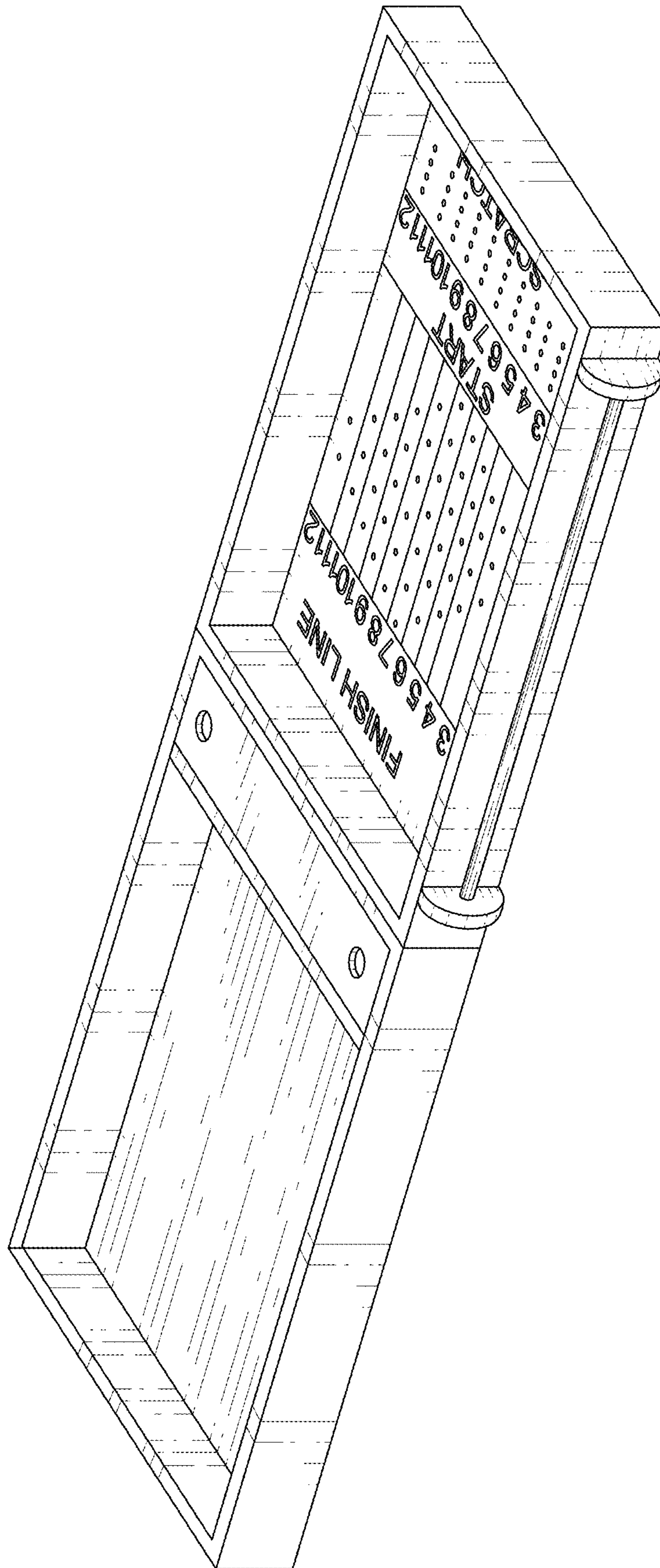


FIG. 12