



US00D958253S

(12) **United States Design Patent**
Wang

(10) **Patent No.:** **US D958,253 S**
(45) **Date of Patent:** **** Jul. 19, 2022**

(54) **GAME CONTROLLER**

FOREIGN PATENT DOCUMENTS

(71) Applicant: **Daoyou Wang**, Ezhou (CN)

CN 305261351 * 7/2019

(72) Inventor: **Daoyou Wang**, Ezhou (CN)

OTHER PUBLICATIONS

(**) Term: **15 Years**

HexGaming Controller, first available Jul. 17, 2021, www.youtube.com [online], site visited [Jan. 20, 2022], Available from internet URL: https://www.youtube.com/watch?v=02nX4LyBJEg (Year: 2021).*

(21) Appl. No.: **29/745,922**

* cited by examiner

(22) Filed: **Aug. 11, 2020**

(51) **LOC (13) Cl.** **21-01**

Primary Examiner — Garth Rademaker

(52) **U.S. Cl.**

Assistant Examiner — Salamah Jordan

USPC **D21/333**

(74) *Attorney, Agent, or Firm* — Bayramoglu Law Offices LLC

(58) **Field of Classification Search**

USPC D14/203.3, 218, 358, 388, 400–401, 417, D14/426–431, 454; D21/320, 324–333
CPC A63F 13/06; A63F 13/08; A63F 13/22; A63F 13/24; A63F 13/40; A63F 13/42; A63F 13/98; A63F 13/285; A63F 9/24; G06F 3/0338

(57) **CLAIM**

The ornamental design for a game controller, as shown and described.

See application file for complete search history.

DESCRIPTION

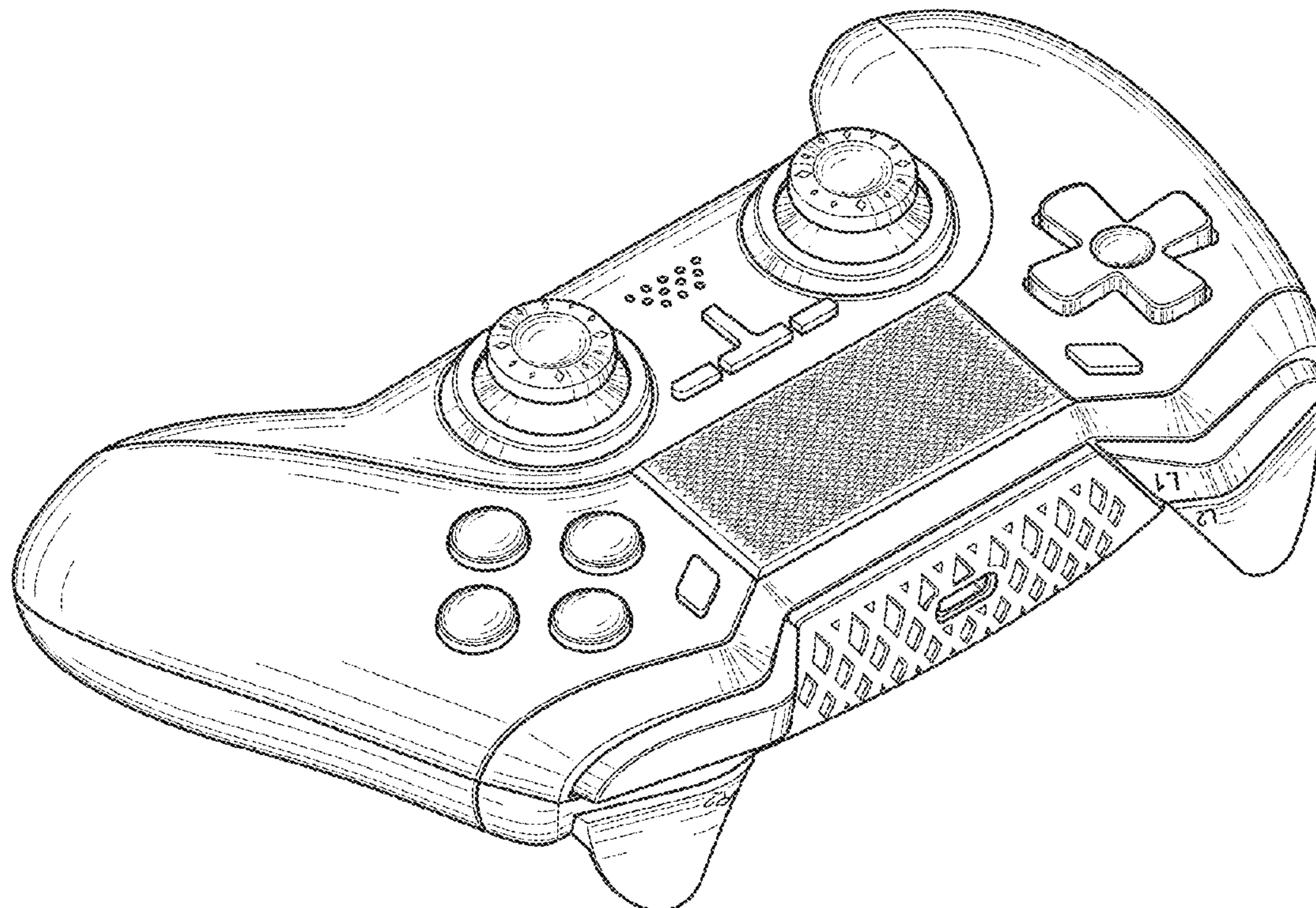
FIG. 1 is a front perspective view of a game controller showing my new design;
FIG. 2 is a front view thereof;
FIG. 3 is a rear view thereof;
FIG. 4 is a right side view thereof;
FIG. 5 is a left side view thereof;
FIG. 6 is a top view thereof;
FIG. 7 is a bottom view thereof; and,
FIG. 8 is a rear perspective view thereof.
The broken lines showing portions of the game controller form no part of the claimed design.

(56) **References Cited**

U.S. PATENT DOCUMENTS

D715,296 S	*	10/2014	Huang	D14/401
D740,288 S	*	10/2015	O'Donnell, Sr.	D14/401
D816,083 S	*	4/2018	Wu	D14/401
D823,945 S	*	7/2018	Falc	D21/333
D865,766 S	*	11/2019	Hu	D14/401
D867,460 S	*	11/2019	Yan	D21/333
D923,097 S	*	6/2021	Zhao	D21/333
2017/0151494 A1	*	6/2017	Ironmonger	H01H 21/24

1 Claim, 8 Drawing Sheets



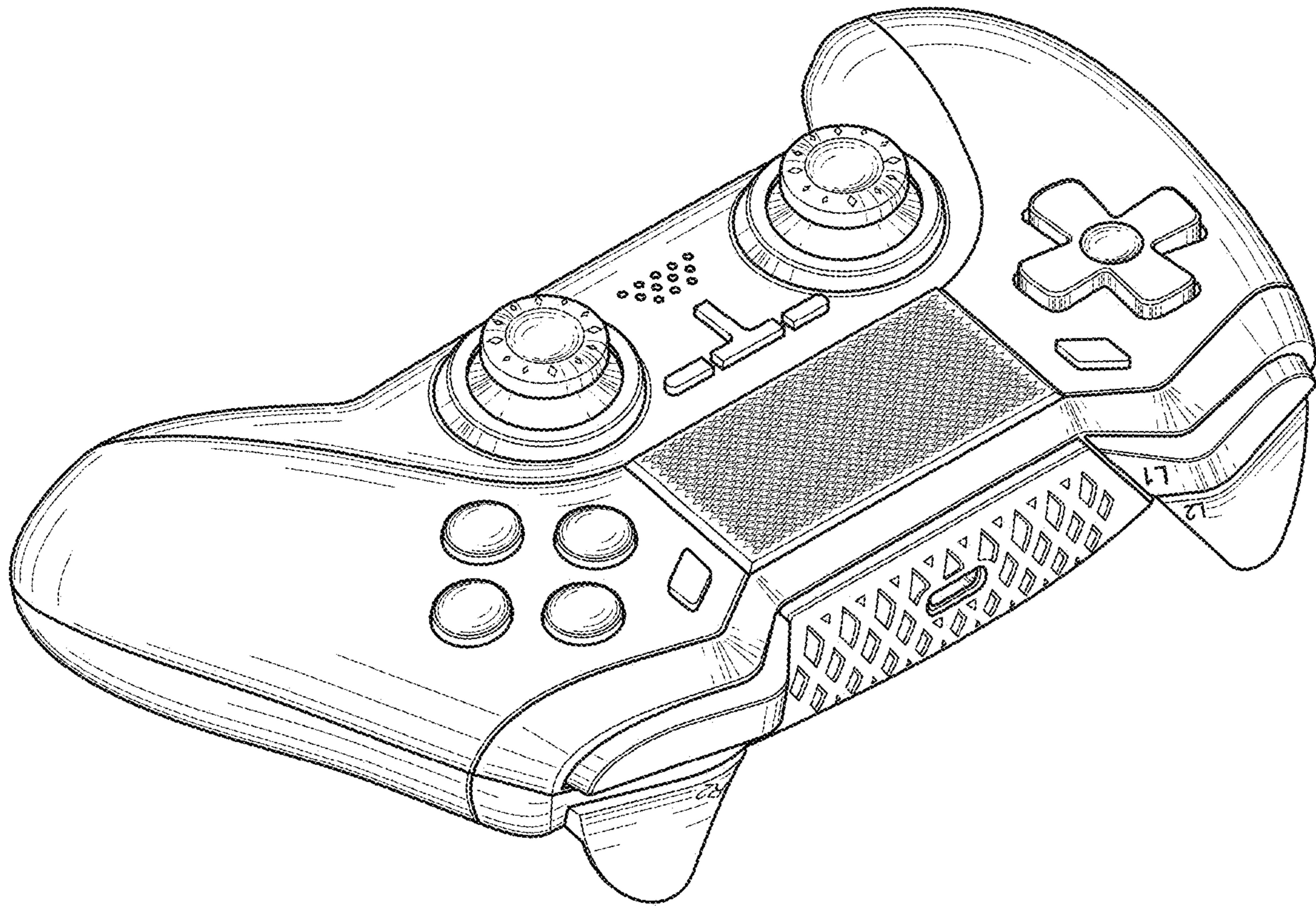


FIG. 1

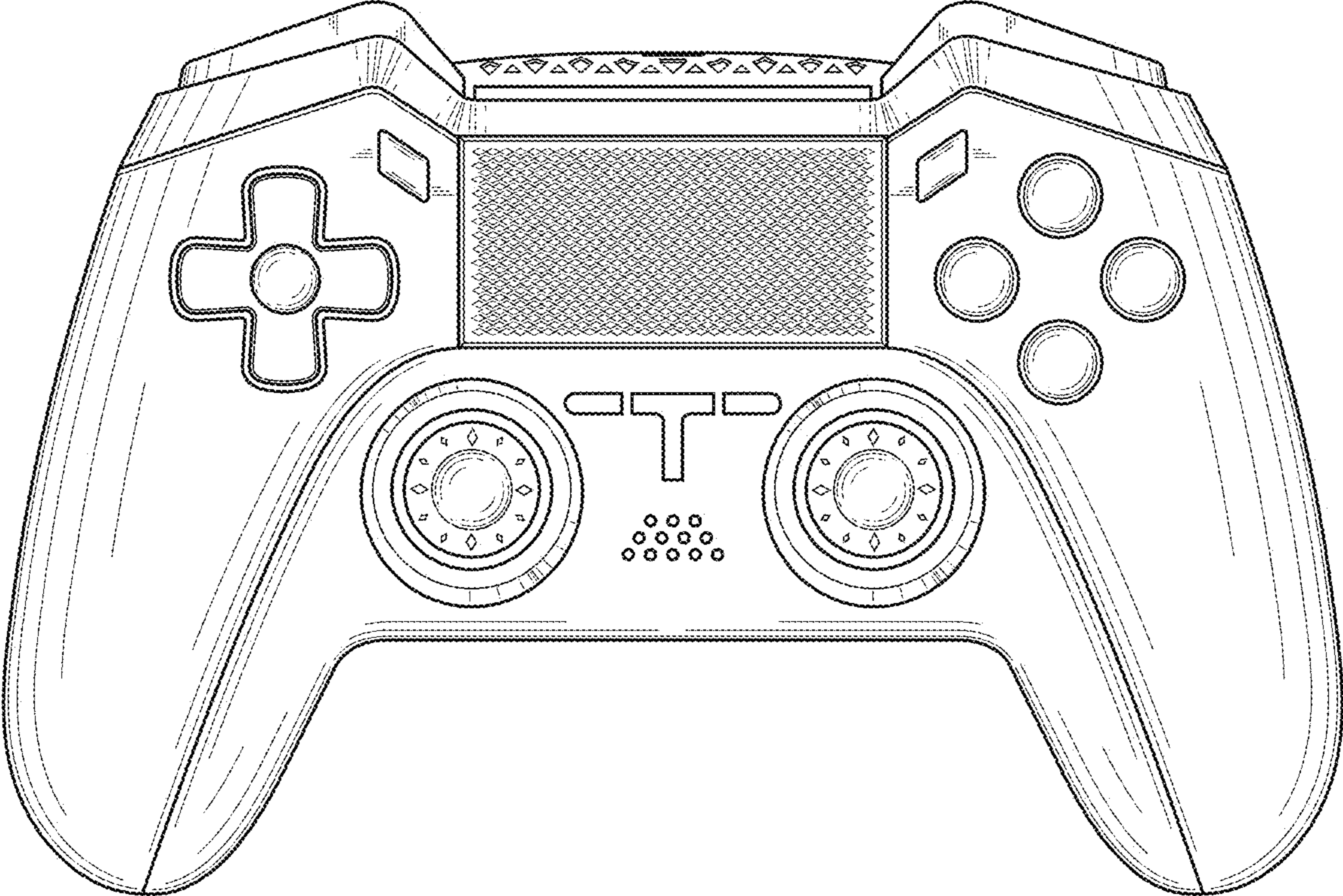


FIG. 2

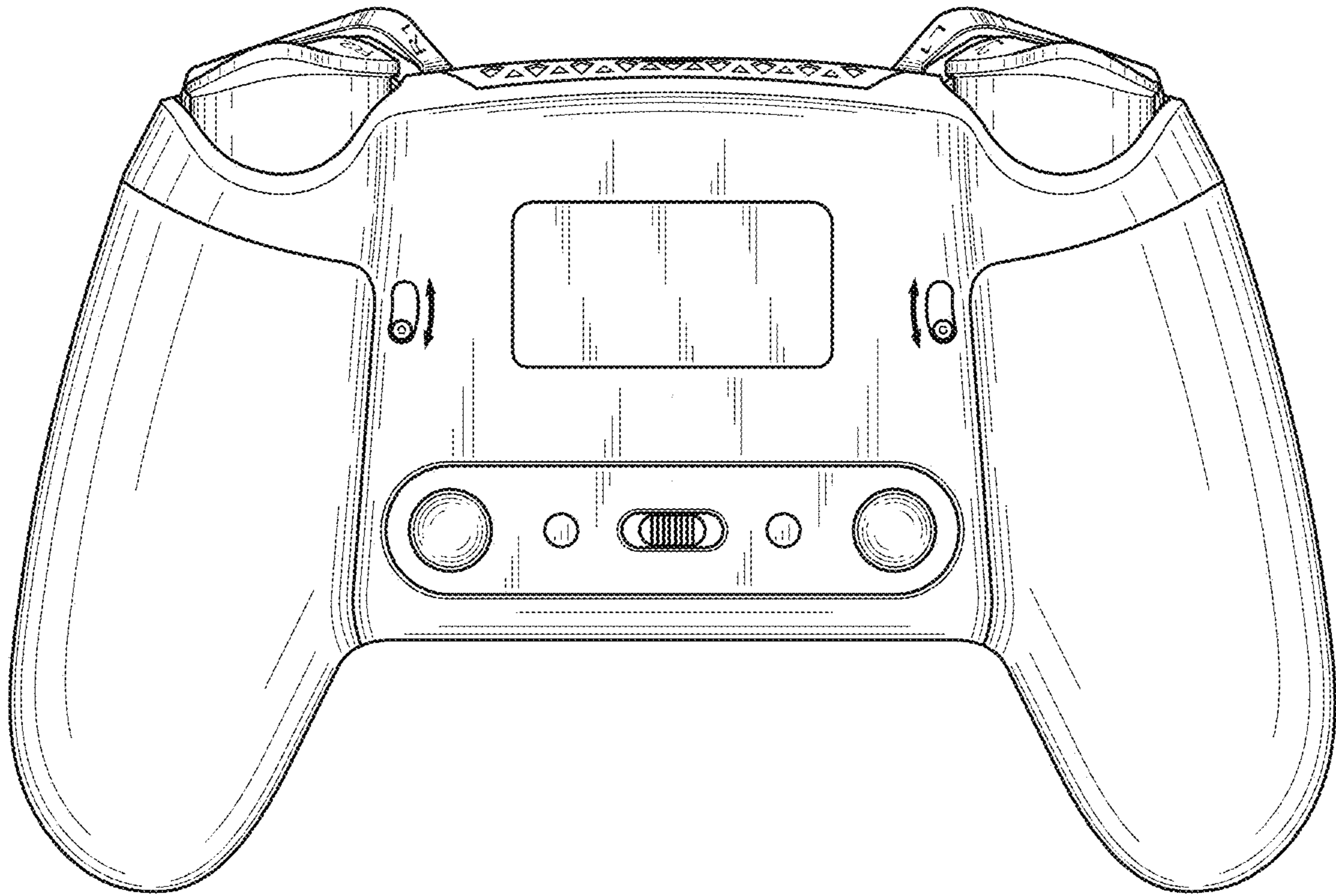


FIG. 3

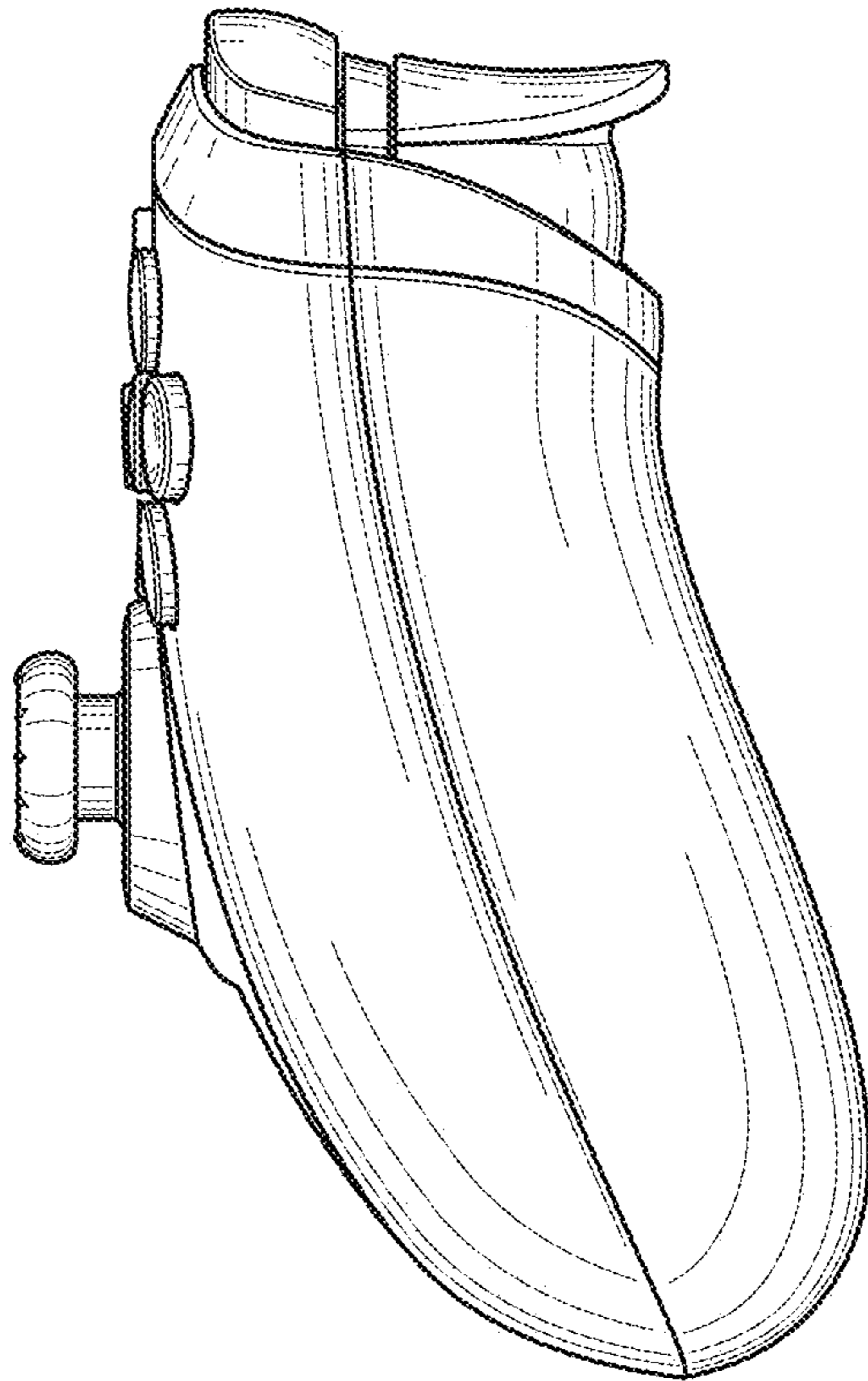


FIG. 4

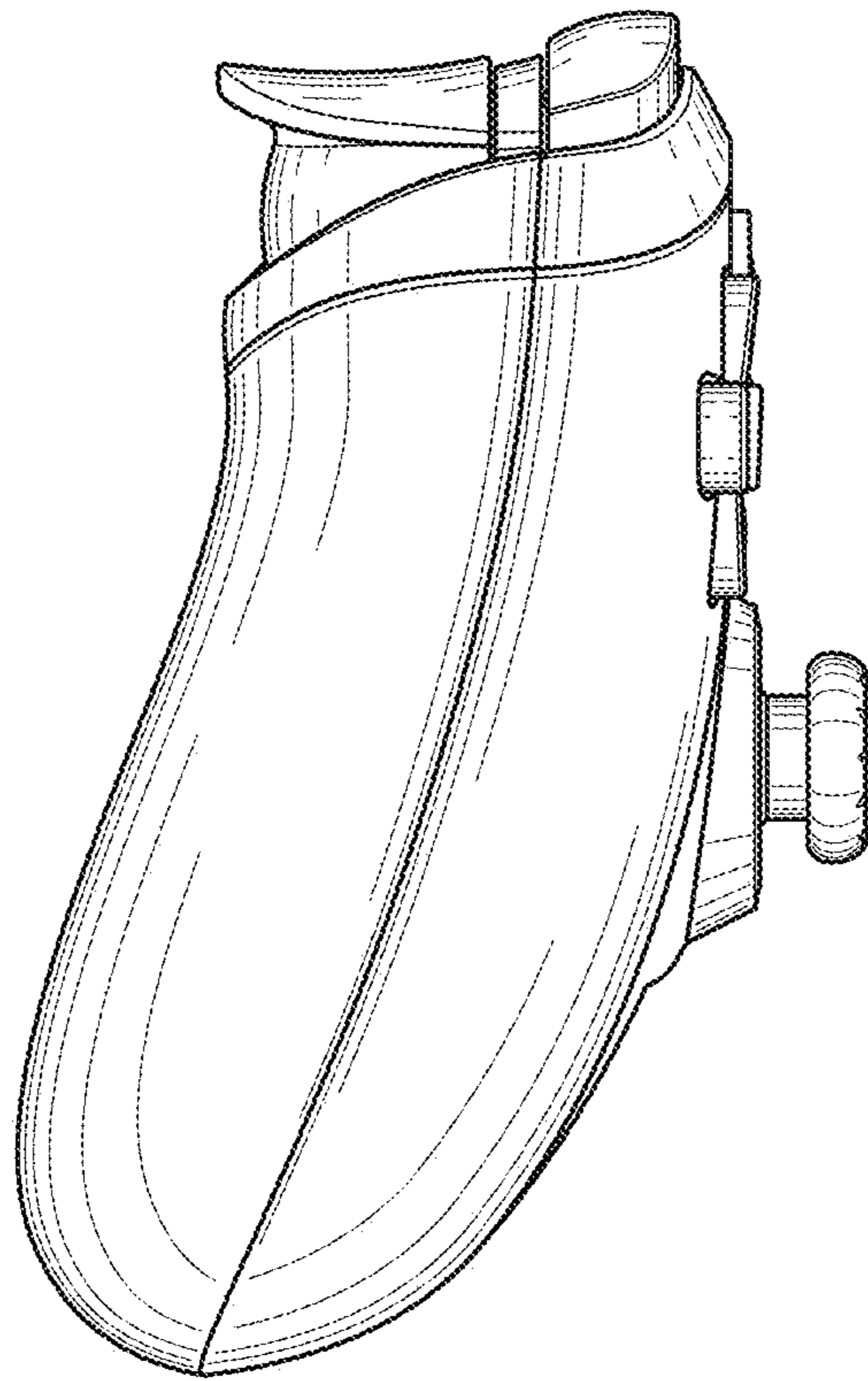


FIG. 5

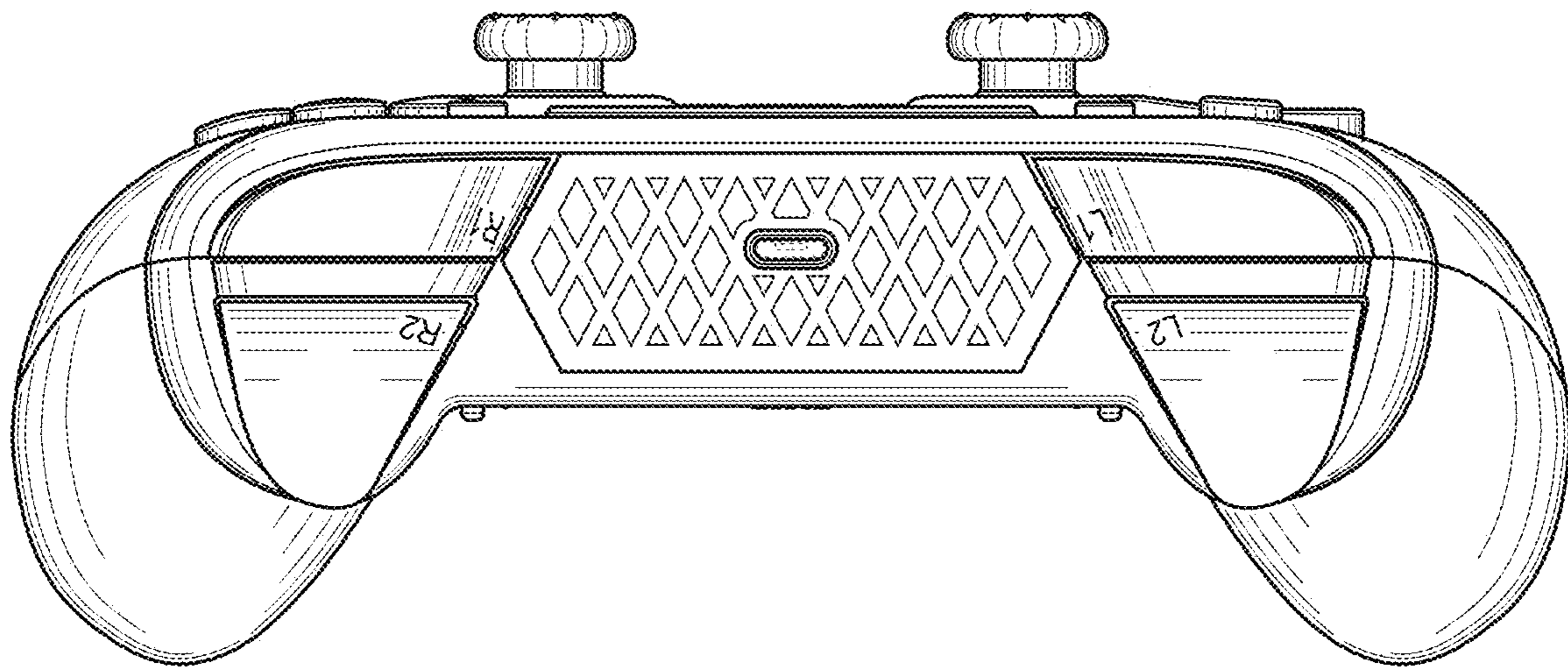


FIG. 6

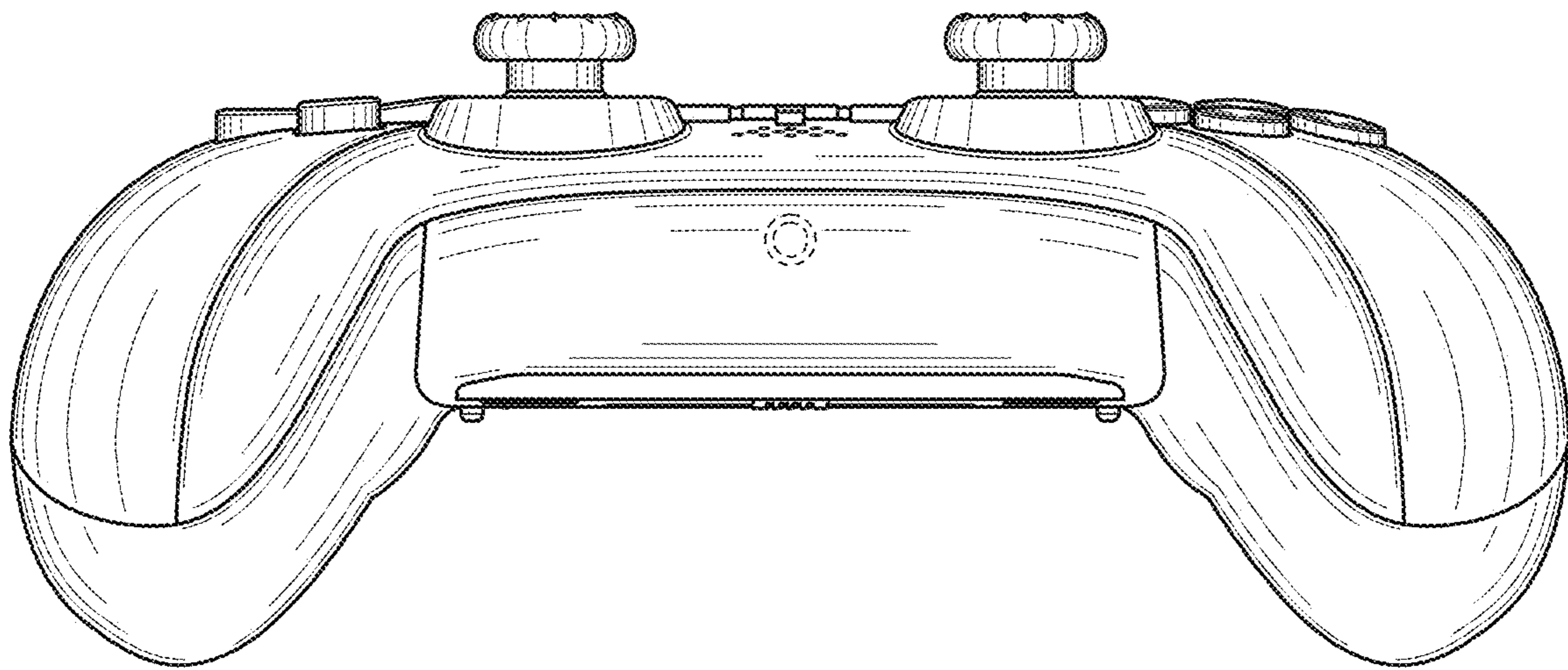


FIG. 7

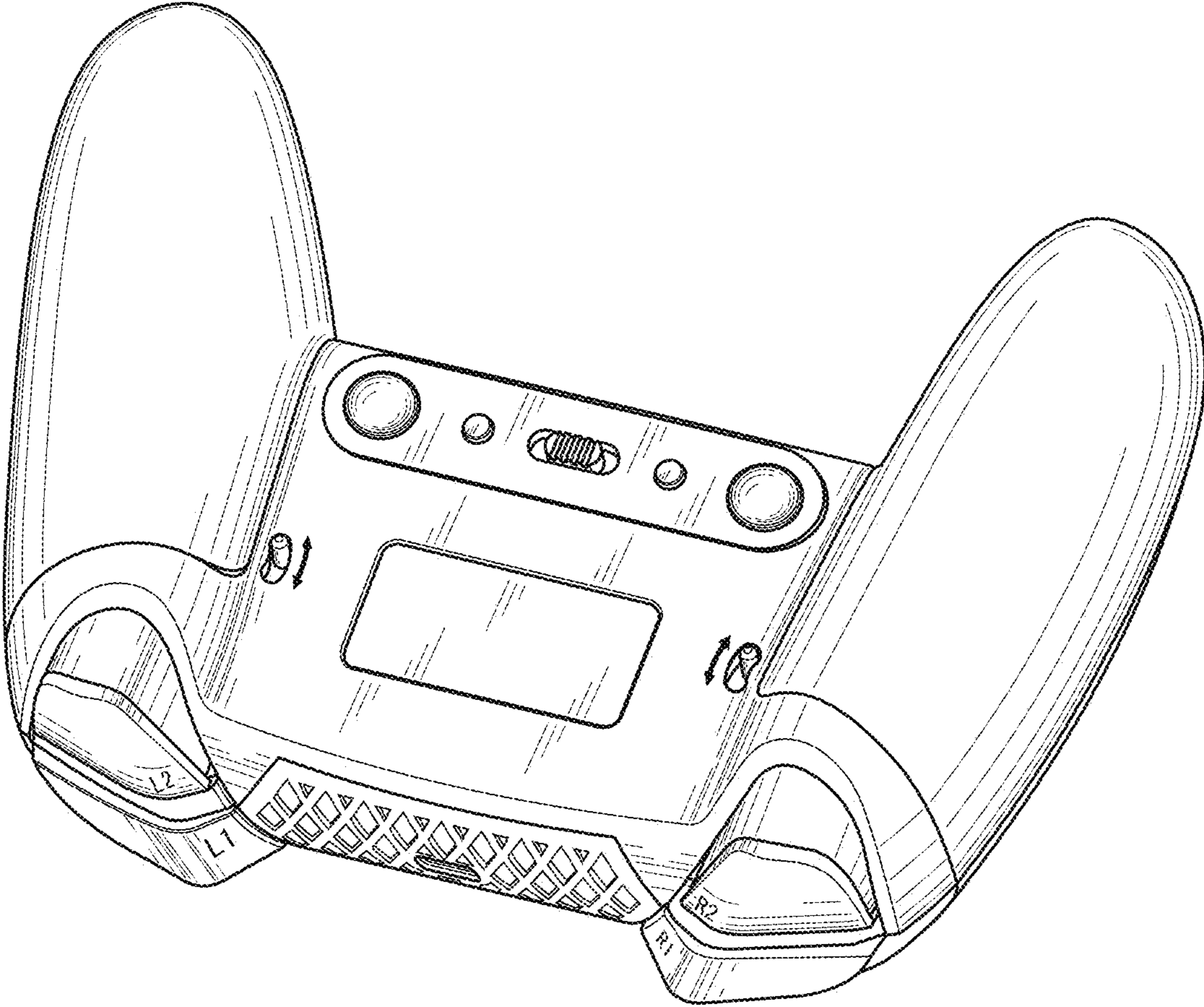


FIG. 8