



US00D958252S

(12) **United States Design Patent**  
**Wang**

(10) **Patent No.:** **US D958,252 S**  
(45) **Date of Patent:** **\*\* Jul. 19, 2022**

(54) **GAME CONTROLLER**

FOREIGN PATENT DOCUMENTS

(71) Applicant: **Daoyou Wang**, Ezhou (CN)

CN 305261351 \* 7/2019

(72) Inventor: **Daoyou Wang**, Ezhou (CN)

OTHER PUBLICATIONS

(\*\*) Term: **15 Years**

Wireless Controller for PS4, first available Jul. 17, 2021, www.amazon.com [online], site visited [Jan. 22, 2022], Available from internet URL:https://amzn.to/3nSAEG3 (Year: 2020).\*

(21) Appl. No.: **29/743,475**

\* cited by examiner

(22) Filed: **Jul. 22, 2020**

(51) **LOC (13) Cl.** ..... **21-01**

(52) **U.S. Cl.**

USPC ..... **D21/333**

(58) **Field of Classification Search**

USPC .... D14/203.3, 218, 358, 388, 400-401, 417,  
D14/426-431, 454; D21/320, 324-333

CPC ..... A63F 13/06; A63F 13/08; A63F 13/22;  
A63F 13/24; A63F 13/40; A63F 13/42;  
A63F 13/98; A63F 13/285; A63F 9/24;  
G06F 3/0338

See application file for complete search history.

*Primary Examiner* — Garth Rademaker

*Assistant Examiner* — Salamah Jordan

(74) *Attorney, Agent, or Firm* — Bayramoglu Law Offices LLC

(57) **CLAIM**

The ornamental design for a game controller, as shown and described.

**DESCRIPTION**

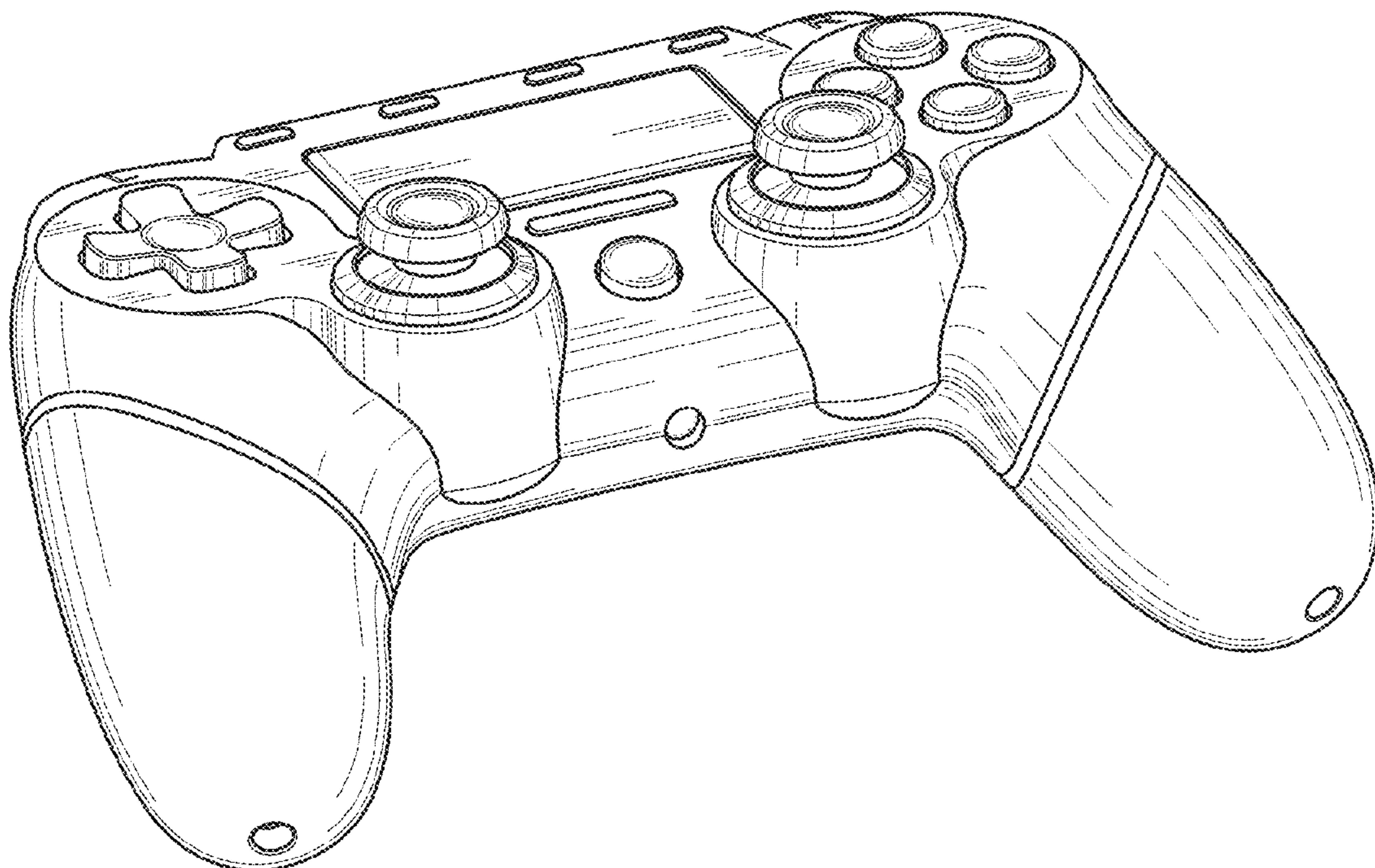
(56) **References Cited**

U.S. PATENT DOCUMENTS

D715,296 S *	10/2014	Huang	.....	D14/401
D718,818 S *	12/2014	Sumii	.....	D21/333
D727,430 S *	4/2015	Sumii	.....	D21/333
D733,140 S *	6/2015	Sumii	.....	D14/401
D736,860 S *	8/2015	Lovoi	.....	D21/333
D769,982 S *	10/2016	Konishi	.....	D21/333
D780,180 S *	2/2017	Ironmonger	.....	D14/401
D780,759 S *	3/2017	Ironmonger	.....	D14/401
D794,027 S *	8/2017	Ironmonger	.....	D14/401
D887,411 S *	6/2020	Li	.....	D14/401
2020/0054940 A1 *	2/2020	Andall	.....	A63F 13/42
2021/0379488 A1 *	12/2021	Falc	.....	A63F 13/22

FIG. 1 is a bottom perspective view of a game controller showing my new design;  
FIG. 2 is a front view thereof;  
FIG. 3 is a rear view thereof;  
FIG. 4 is a right side view thereof;  
FIG. 5 is a left side view thereof;  
FIG. 6 is a top view thereof;  
FIG. 7 is a bottom view thereof; and,  
FIG. 8 is a top perspective view thereof.  
The broken lines in the figures illustrate portions of the game controller that form no part of the claimed design.

**1 Claim, 8 Drawing Sheets**



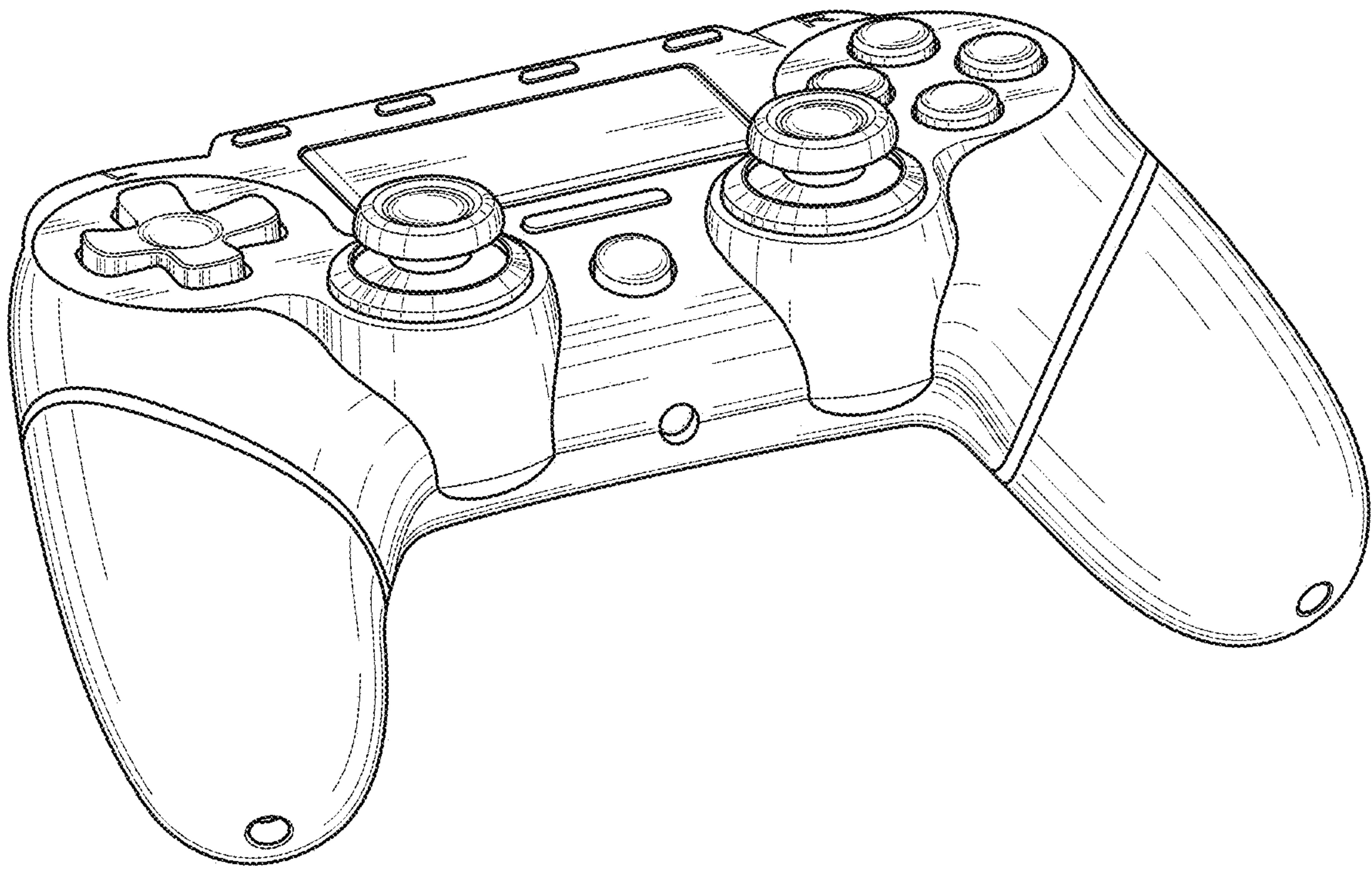


FIG. 1



FIG. 2



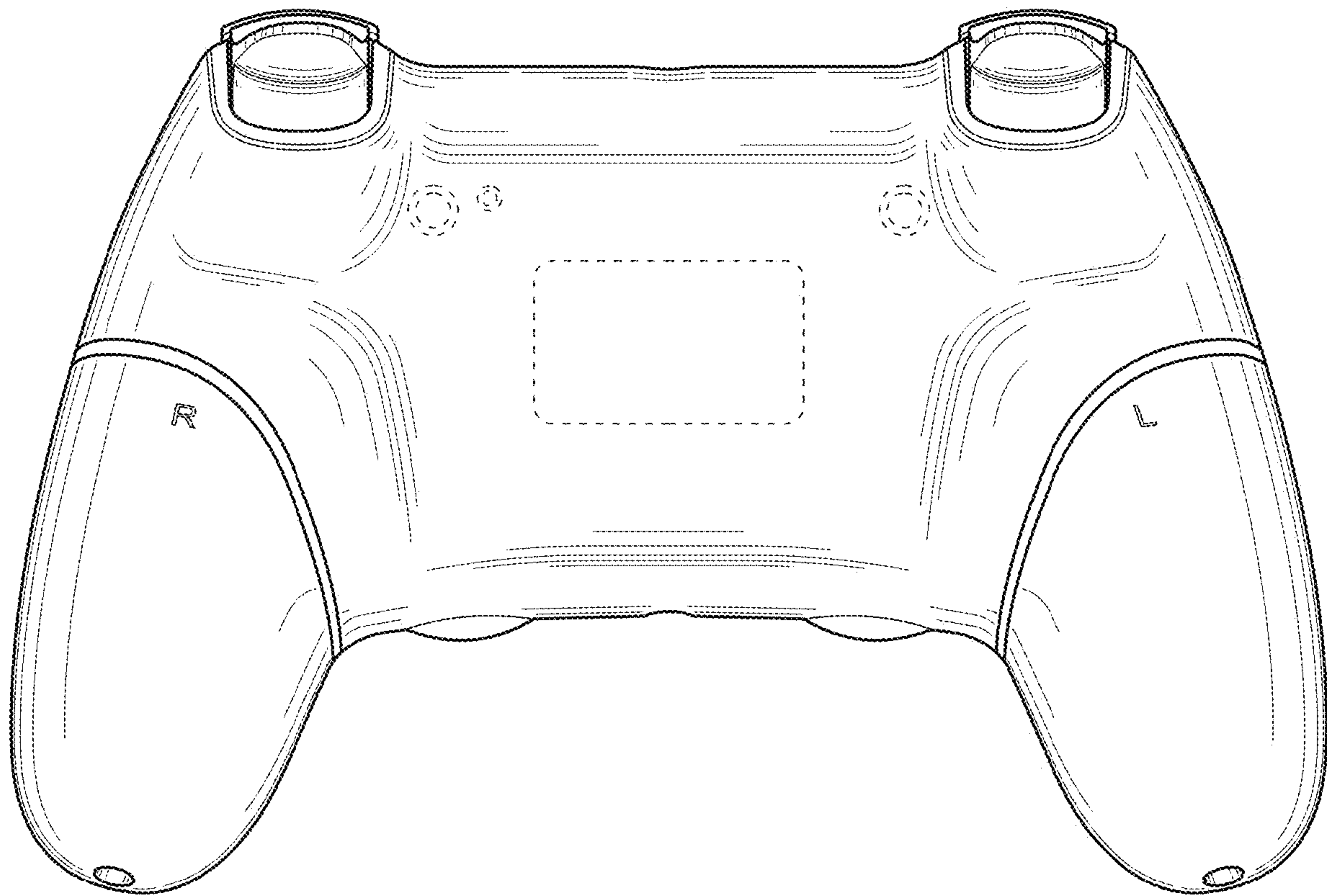


FIG. 3

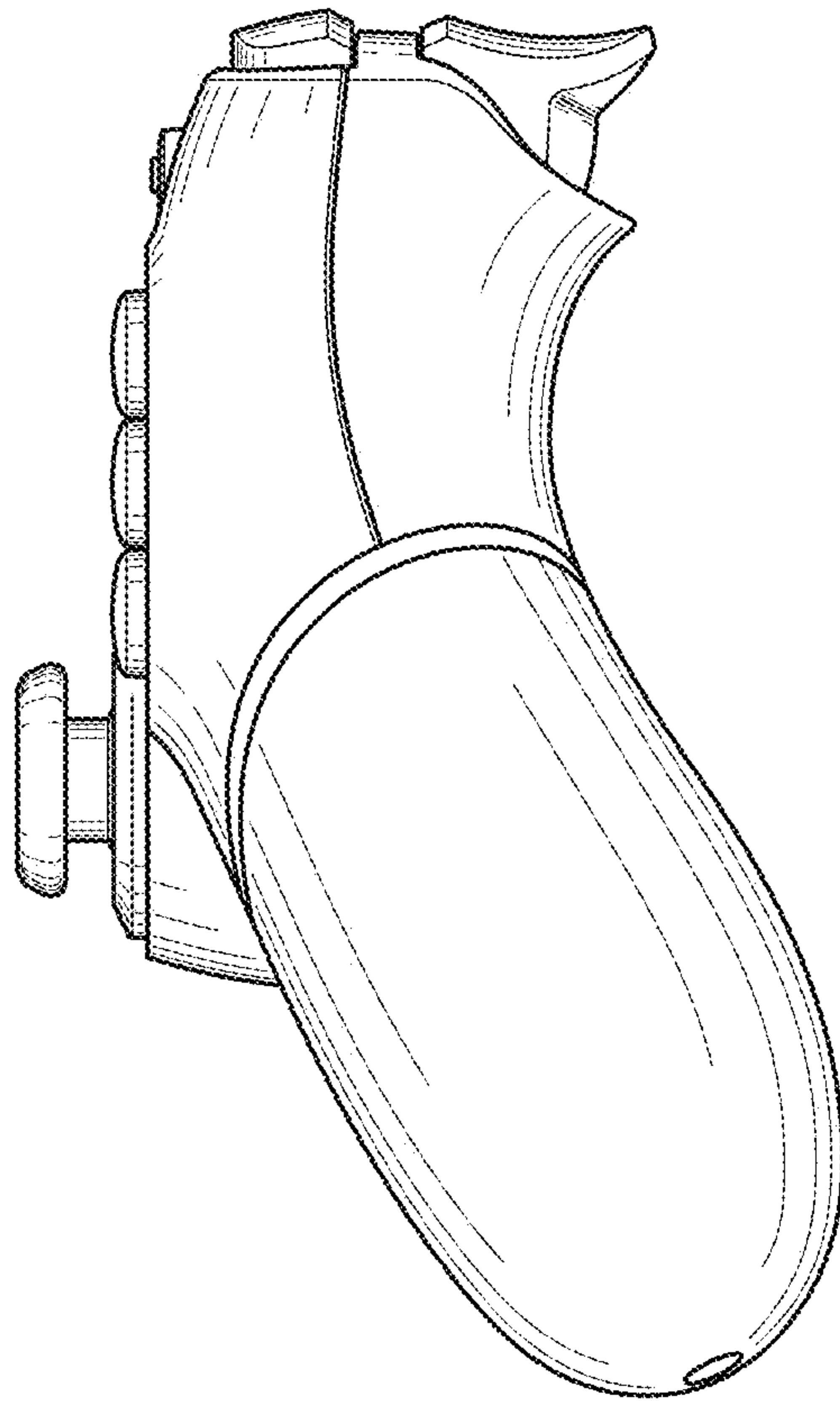


FIG. 4

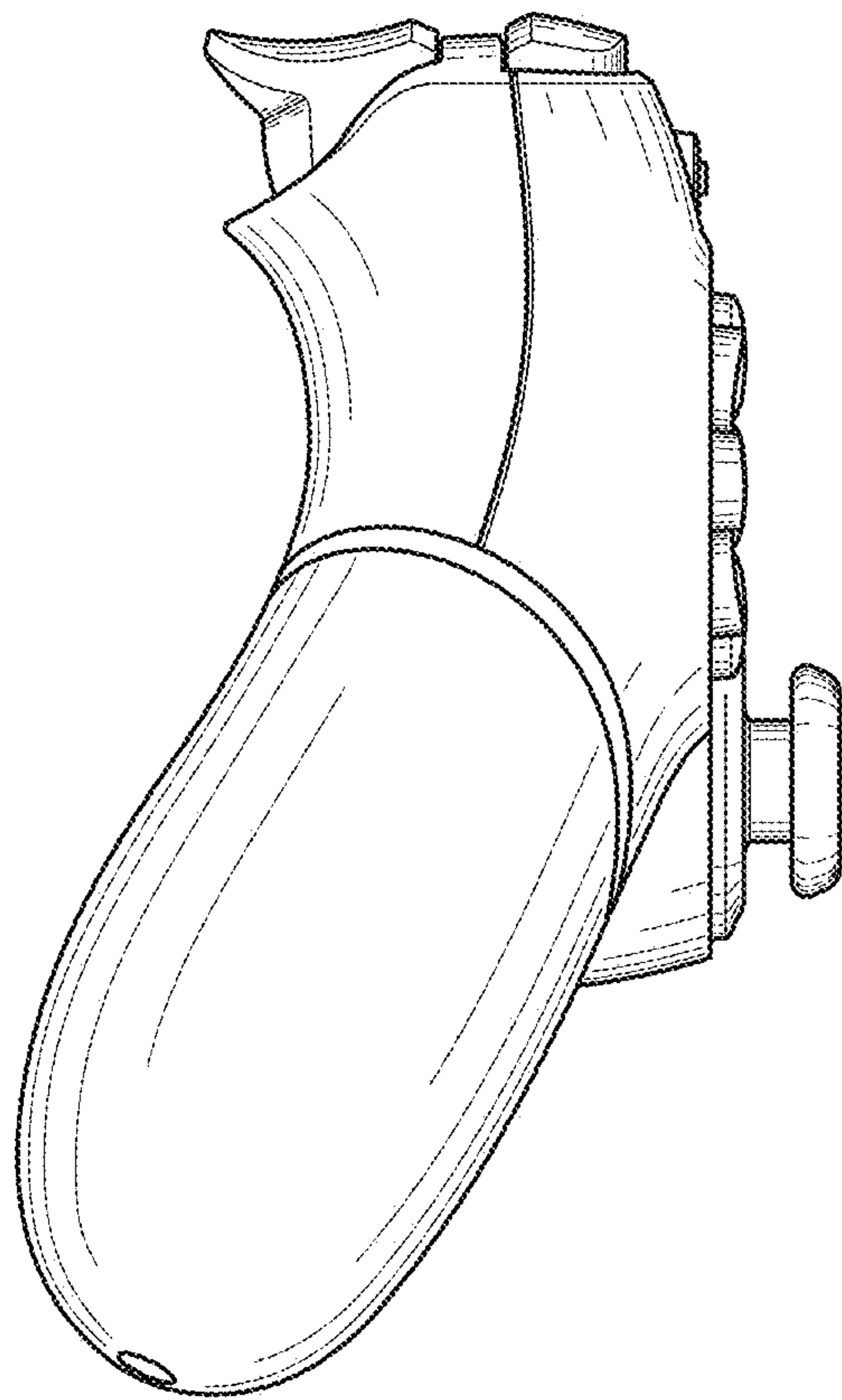


FIG. 5

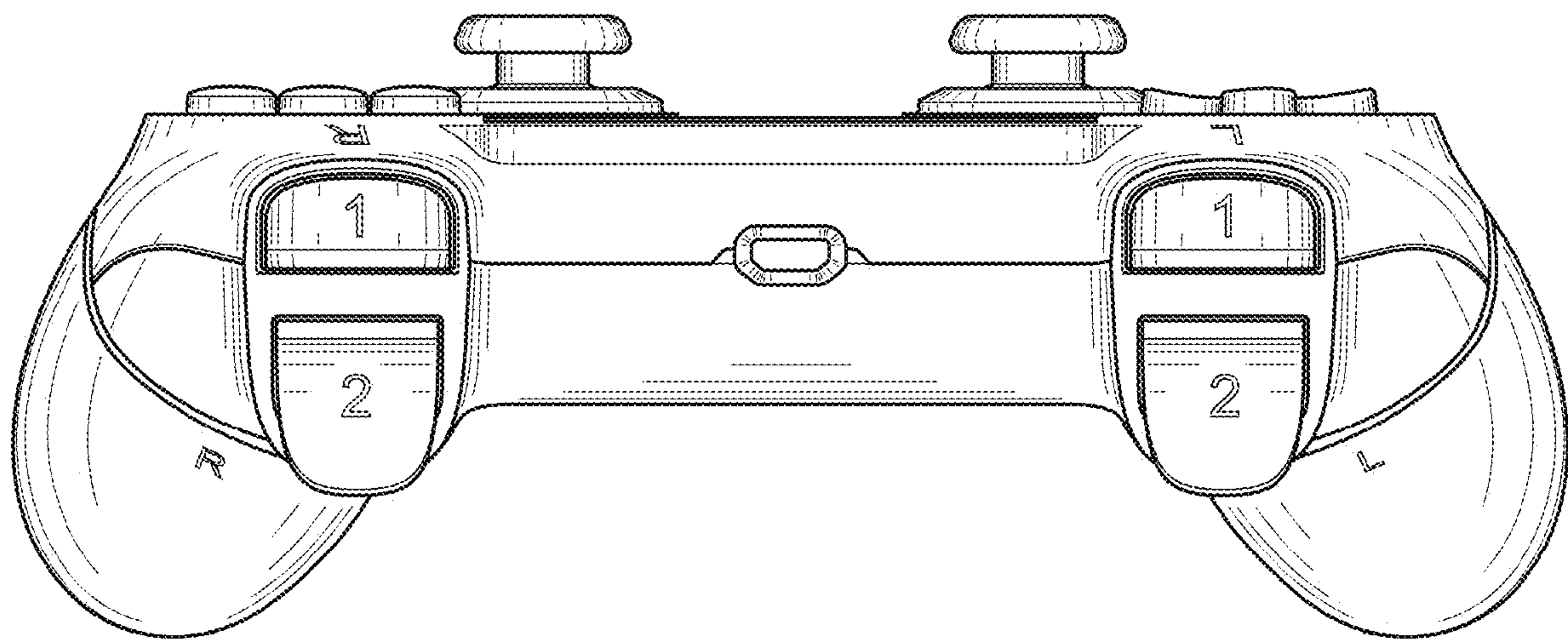


FIG. 6

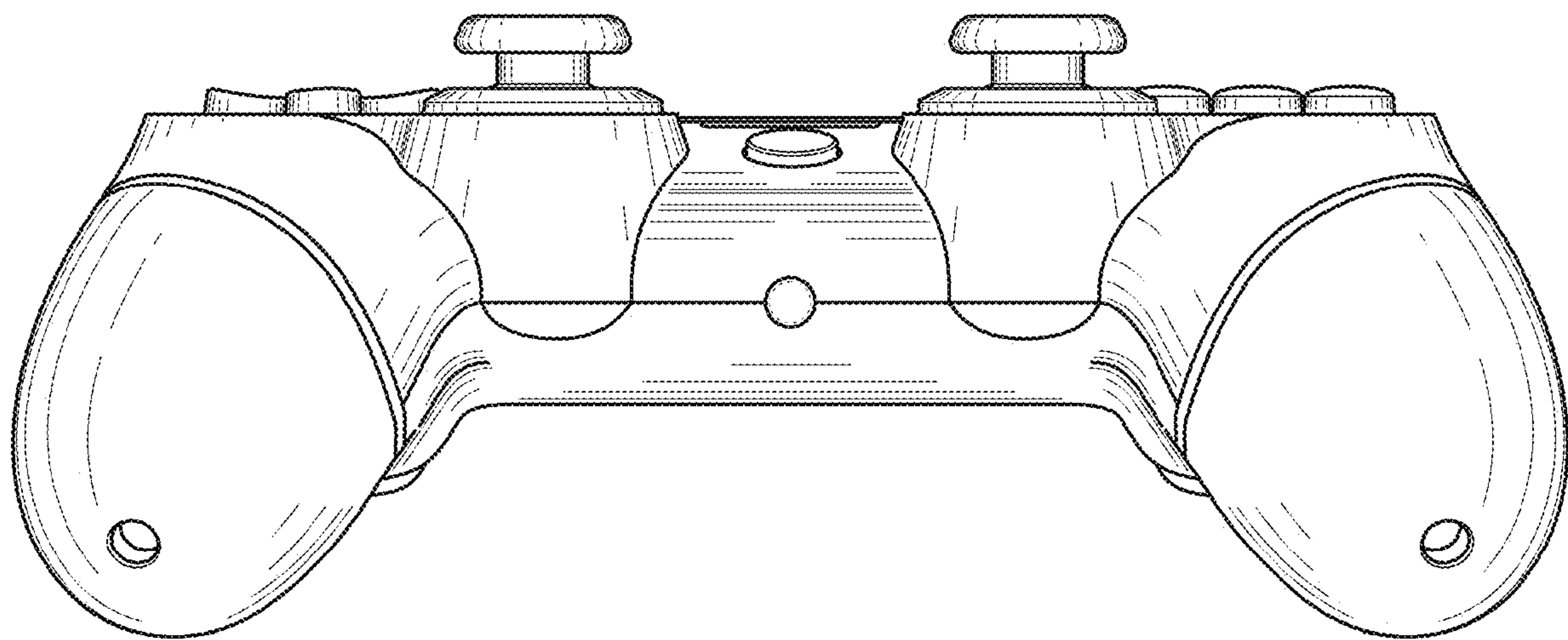


FIG. 7



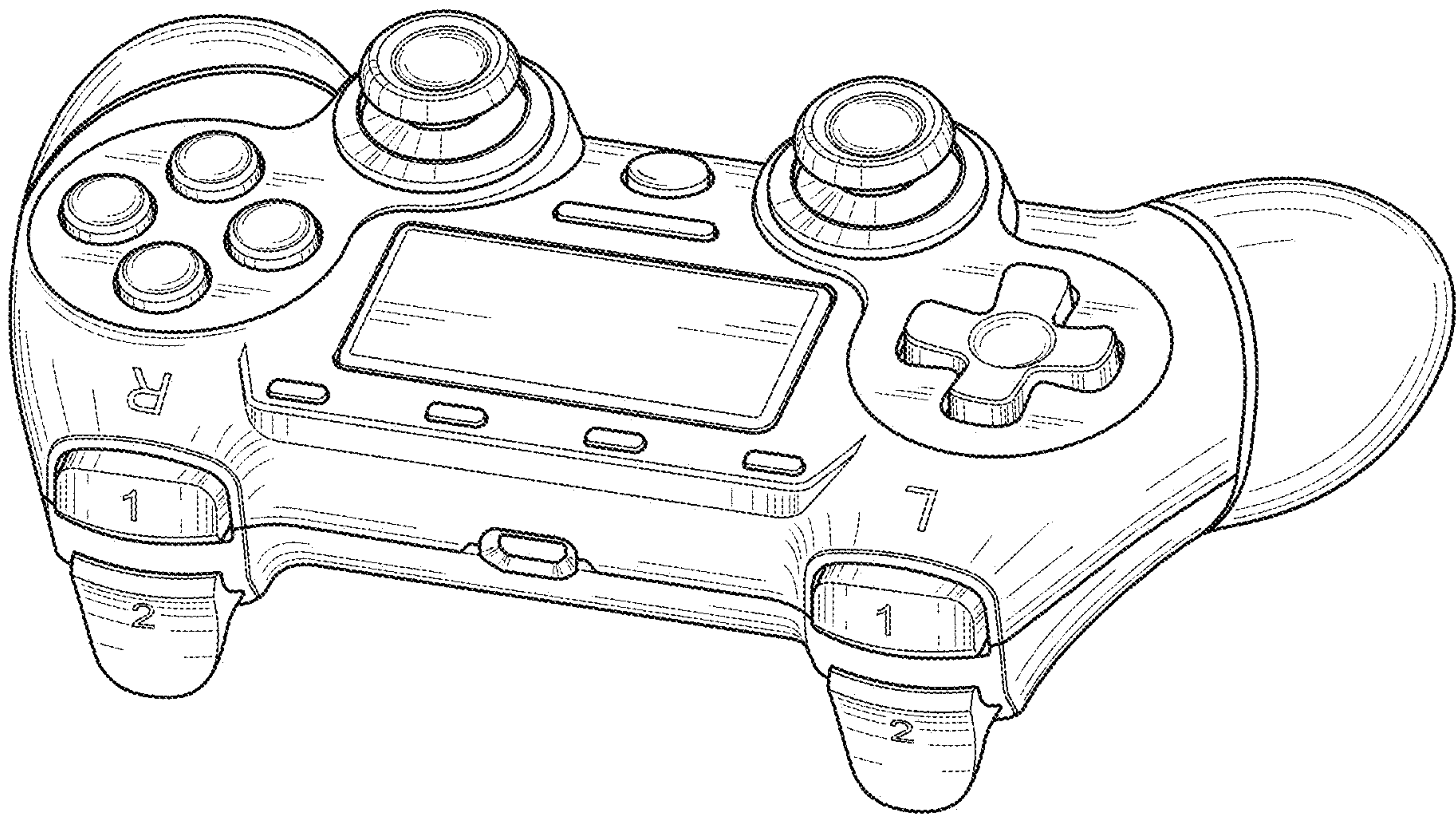


FIG. 8