



US00D958250S

(12) **United States Design Patent** (10) **Patent No.:** **US D958,250 S**  
**Yang** (45) **Date of Patent:** **\*\* Jul. 19, 2022**

(54) **RING TOSS GAME**  
(71) Applicant: **Leisheng Yang**, Henan (CN)  
(72) Inventor: **Leisheng Yang**, Henan (CN)  
(\*\*) Term: **15 Years**  
(21) Appl. No.: **29/779,274**  
(22) Filed: **Apr. 19, 2021**  
(51) **LOC (13) Cl.** ..... **21-01**  
(52) **U.S. Cl.**  
USPC ..... **D21/309**  
(58) **Field of Classification Search**  
USPC ..... D21/302, 303, 304, 306, 309, 322, 335,  
D21/344, 401, 466, 699, 716, 719, 788;  
D9/436, 455, 715, 601; 473/422, 423,  
473/429, 430, 507, 508, 514; 273/338,  
273/320, 332  
CPC ..... A63B 69/0079; A63B 2071/026; A63B  
63/00; A63B 65/00; A63B 67/00; A63B  
71/0036; A63B 67/06; A63F 1/067; A47B  
25/00

See application file for complete search history.

(56) **References Cited**

**U.S. PATENT DOCUMENTS**

1,052,907 A \* 2/1913 Fergusson ..... A63F 9/02  
273/332  
D150,236 S \* 7/1948 Kneser ..... D21/309  
2,942,886 A \* 6/1960 Ackerman ..... A63B 67/10  
273/332  
3,656,747 A \* 4/1972 Revell, Jr. .... A63B 67/10  
273/331  
D226,770 S \* 4/1973 Prischak ..... D21/309  
D232,445 S \* 8/1974 Moe ..... D21/309  
D236,220 S \* 8/1975 Nicodemus, Jr. et al. .. D21/309  
D285,811 S \* 9/1986 Donahoe ..... D21/304  
D288,828 S \* 3/1987 Romestan ..... D21/304  
D330,393 S 10/1992 Grant et al.

5,171,019 A \* 12/1992 Arnette ..... A63B 67/10  
273/332  
D423,057 S \* 4/2000 Mooney ..... D21/304  
D433,723 S \* 11/2000 Hynes ..... D21/719  
D462,092 S \* 8/2002 Temple ..... D21/303  
D478,357 S \* 8/2003 Penna ..... D21/304  
D611,995 S \* 3/2010 Taylor ..... D21/309  
D613,524 S \* 4/2010 Jeffers ..... D6/682  
D671,598 S 11/2012 Makaruk  
D758,254 S \* 6/2016 Woller, Jr. .... D12/106  
D783,094 S \* 4/2017 Shepherd ..... D21/304

(Continued)

**OTHER PUBLICATIONS**

“Handheld right toss game” posted May 10, 2021[Online],[Retrieved Nov. 9, 2021], retrieved from Internet: <https://amzn.to/3mYdtKh>.\*

(Continued)

*Primary Examiner* — Mehri F Bajoul

(57) **CLAIM**

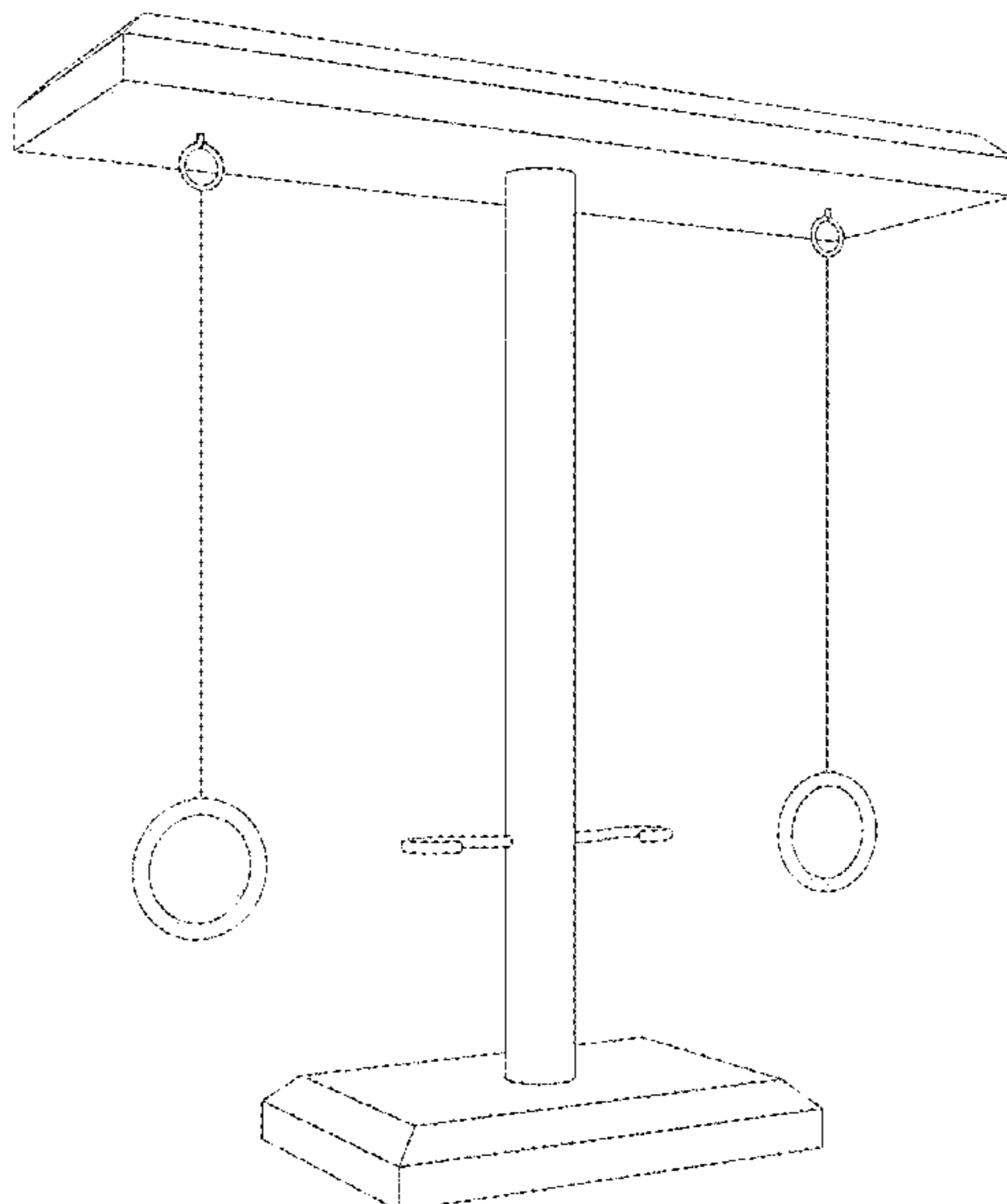
The ornamental design for a ring toss game, as shown and described.

**DESCRIPTION**

FIG. 1 is a front, left side perspective view of a ring toss game showing my new design;  
FIG. 2 is a front, right side perspective view thereof;  
FIG. 3 is a rear, left side perspective view thereof;  
FIG. 4 is a front elevation view thereof;  
FIG. 5 is a rear elevation view thereof;  
FIG. 6 is a left side elevation view thereof;  
FIG. 7 is a right side elevation view thereof;  
FIG. 8 is a top plan view thereof;  
FIG. 9 is a bottom plan view thereof; and,  
FIG. 10 is a front, right side perspective view thereof in condition of use.

The long-short dash broken lines in FIG. 9 depict the bounds of the claim that form no part of the claim.

**1 Claim, 8 Drawing Sheets**



(56)

References Cited

U.S. PATENT DOCUMENTS

D785,380	S *	5/2017	King	.....	D6/681
D818,664	S *	5/2018	Martinez	.....	D34/33
D900,222	S *	10/2020	Meyer	.....	D21/302
D900,223	S *	10/2020	Meyer	.....	D21/302
D902,317	S *	11/2020	McGetrick	.....	D21/309
D915,519	S *	4/2021	McGetrick	.....	D21/309
2009/0206550	A1 *	8/2009	Pershin	.....	A63B 67/10 273/332
2010/0187760	A1 *	7/2010	Hilbert, Jr.	.....	A63B 67/10 273/332
2014/0049007	A1 *	2/2014	McGetrick	.....	A63F 9/0208 273/332
2015/0115530	A1 *	4/2015	Vanston	.....	A63F 9/0208 273/332
2016/0339333	A1 *	11/2016	McGetrick	.....	A63B 67/06
2021/0113901	A1 *	4/2021	McGetrick	.....	A63B 63/083

OTHER PUBLICATIONS

“Canuan Ring Hook Game” posted Apr. 24, 2021[Online],[Retrieved Nov. 9, 2021], retrieved from Internet: <https://amzn.to/3ocYUSO>.\*

“Toss Ring Games for Kids Adults . . . ” posted Apr. 4, 2021[Online],[Retrieved Nov. 9, 2021], retrieved from Internet: [https://www.amazon.com/product-reviews/B093TJYY24/ref=pd\\_lpo\\_cr\\_1?pd\\_rd\\_i=B093TJYY24](https://www.amazon.com/product-reviews/B093TJYY24/ref=pd_lpo_cr_1?pd_rd_i=B093TJYY24).\*

“Ring Swing Battle Game” posted Apr. 14, 2021[Online],[Retrieved Nov. 9, 2021], retrieved from Internet: <https://www.youtube.com/watch?v=KI0ky9VVOkU>.\*

“Bestdon Toss Games for Adults and Family” posted May 4, 2021[Online],[Retrieved Nov. 9, 2021], retrieved from Internet: <https://amzn.to/3C5m2r8>.\*

“Bestdon Toss Games for Adults Handmade” posted Apr. 19, 2021[Online],[Retrieved Nov. 10, 2021], retrieved from Internet: <https://amzn.to/3C7Yxh8>.\*

\* cited by examiner

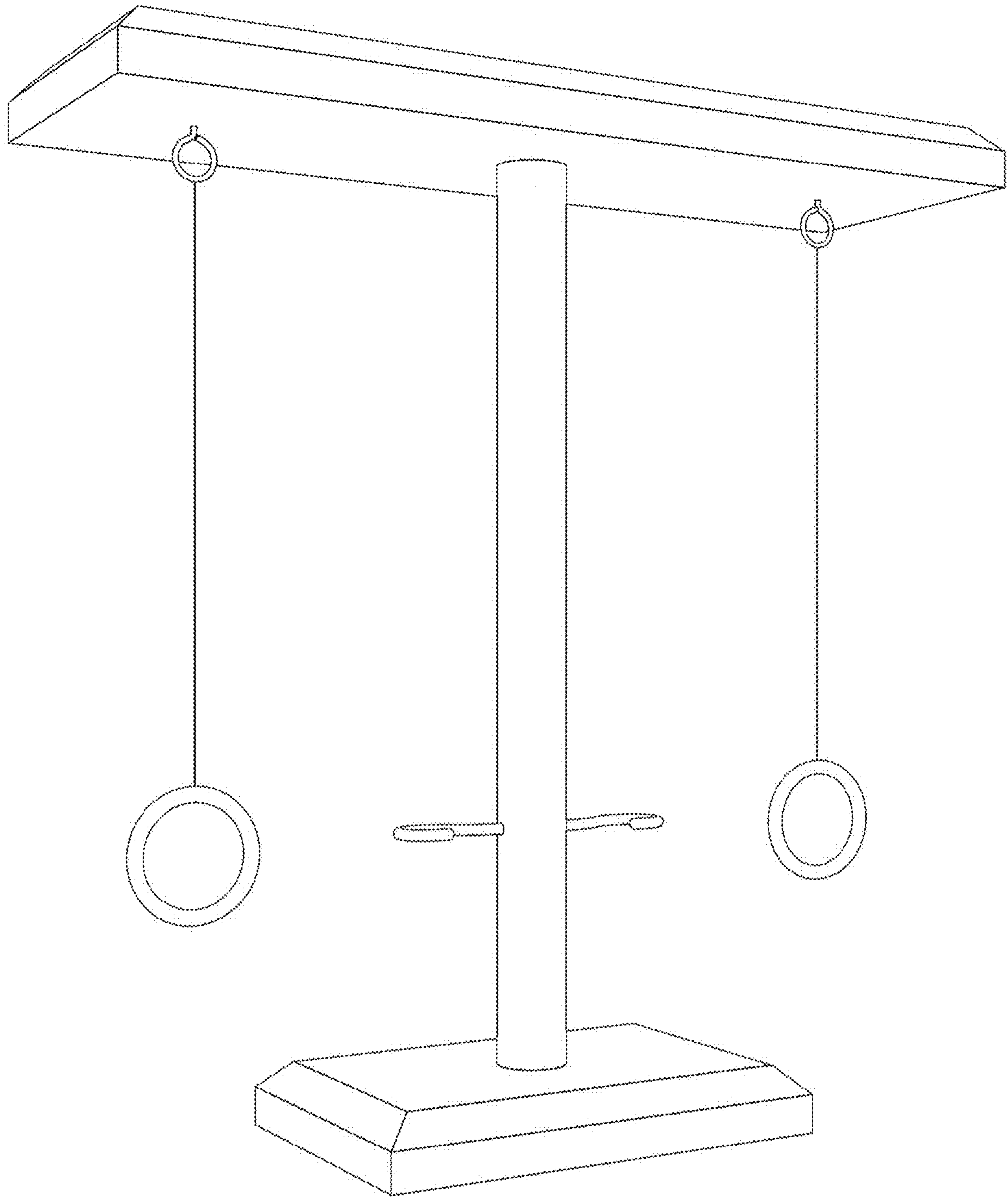


FIG. 1

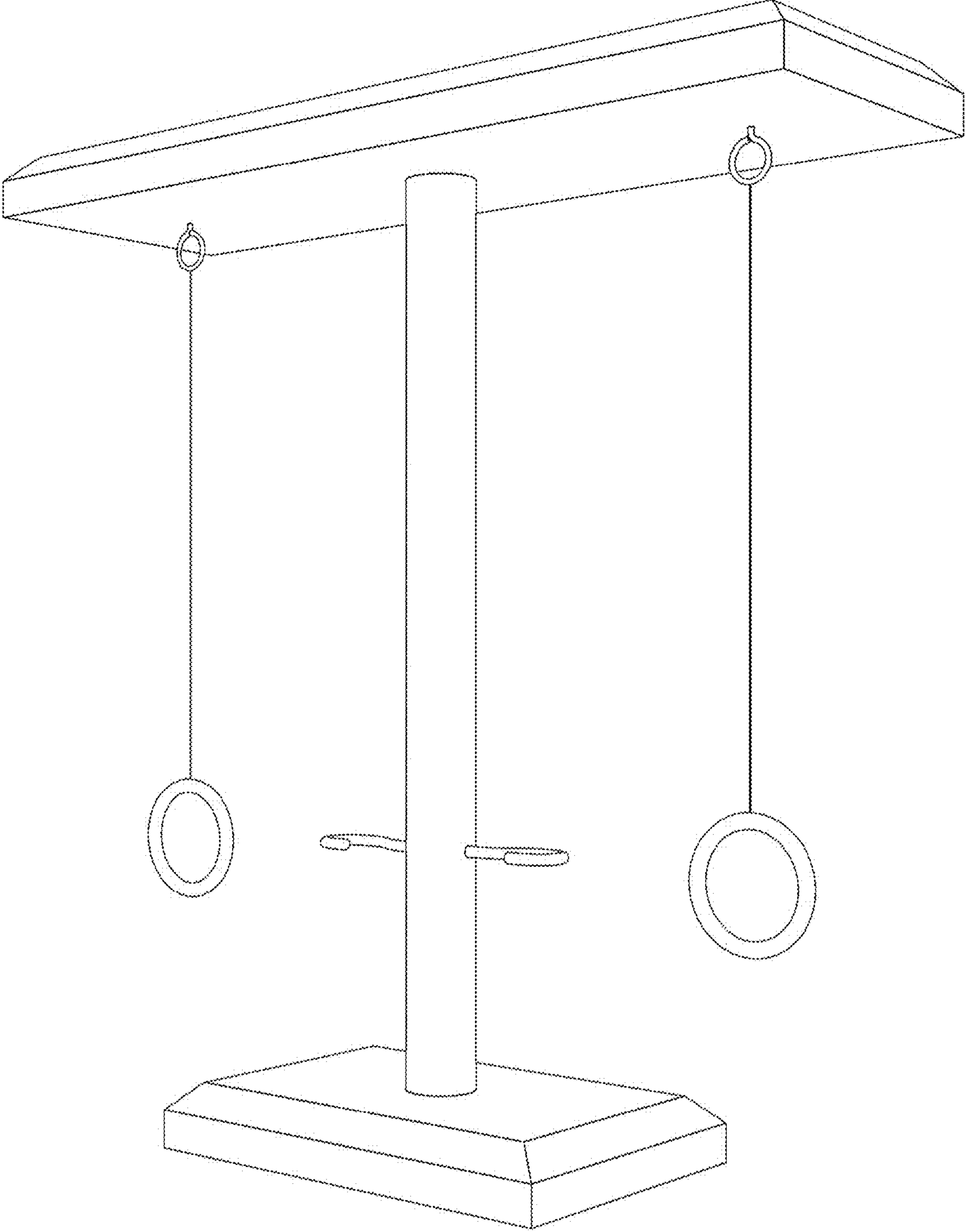


FIG.2

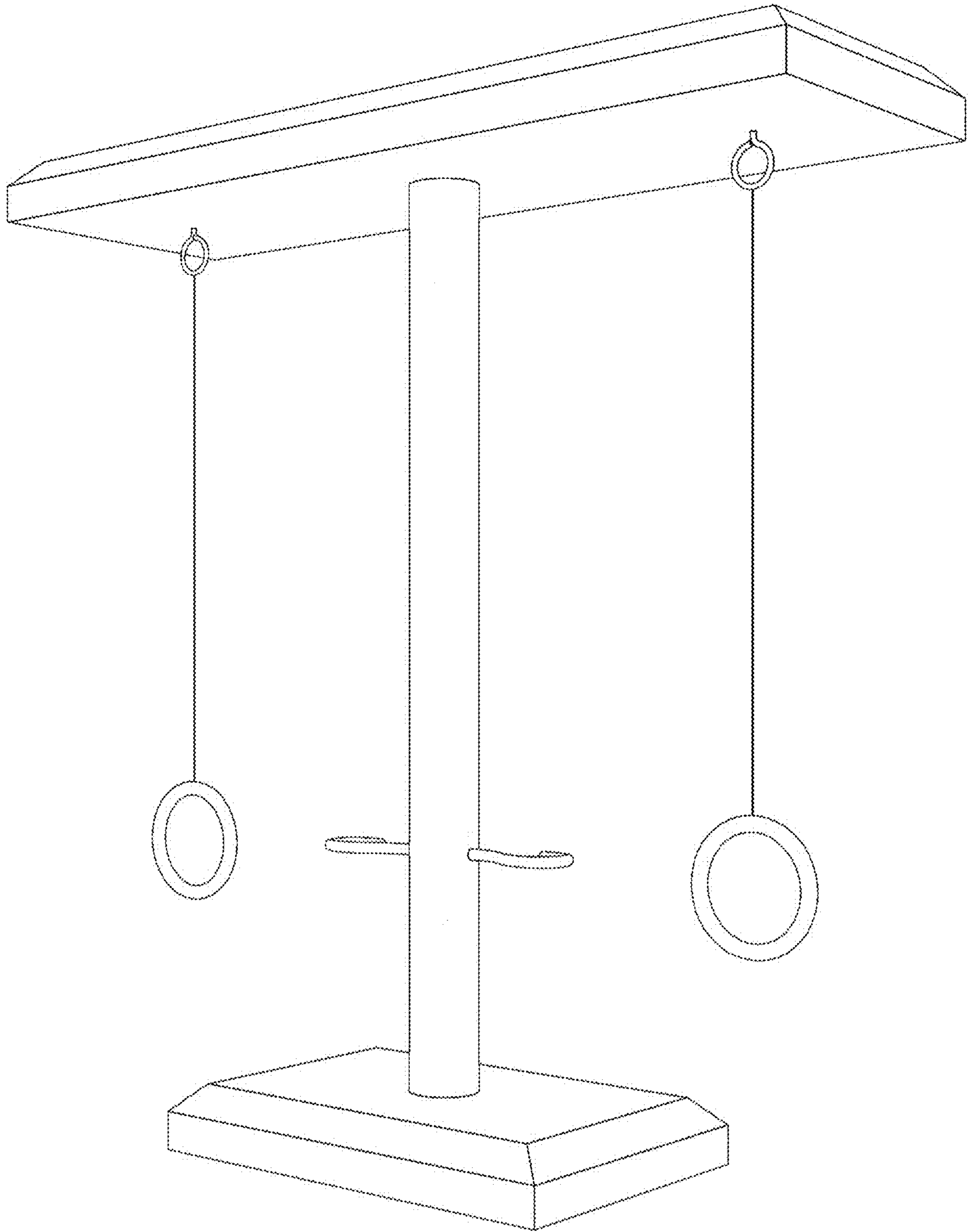


FIG. 3

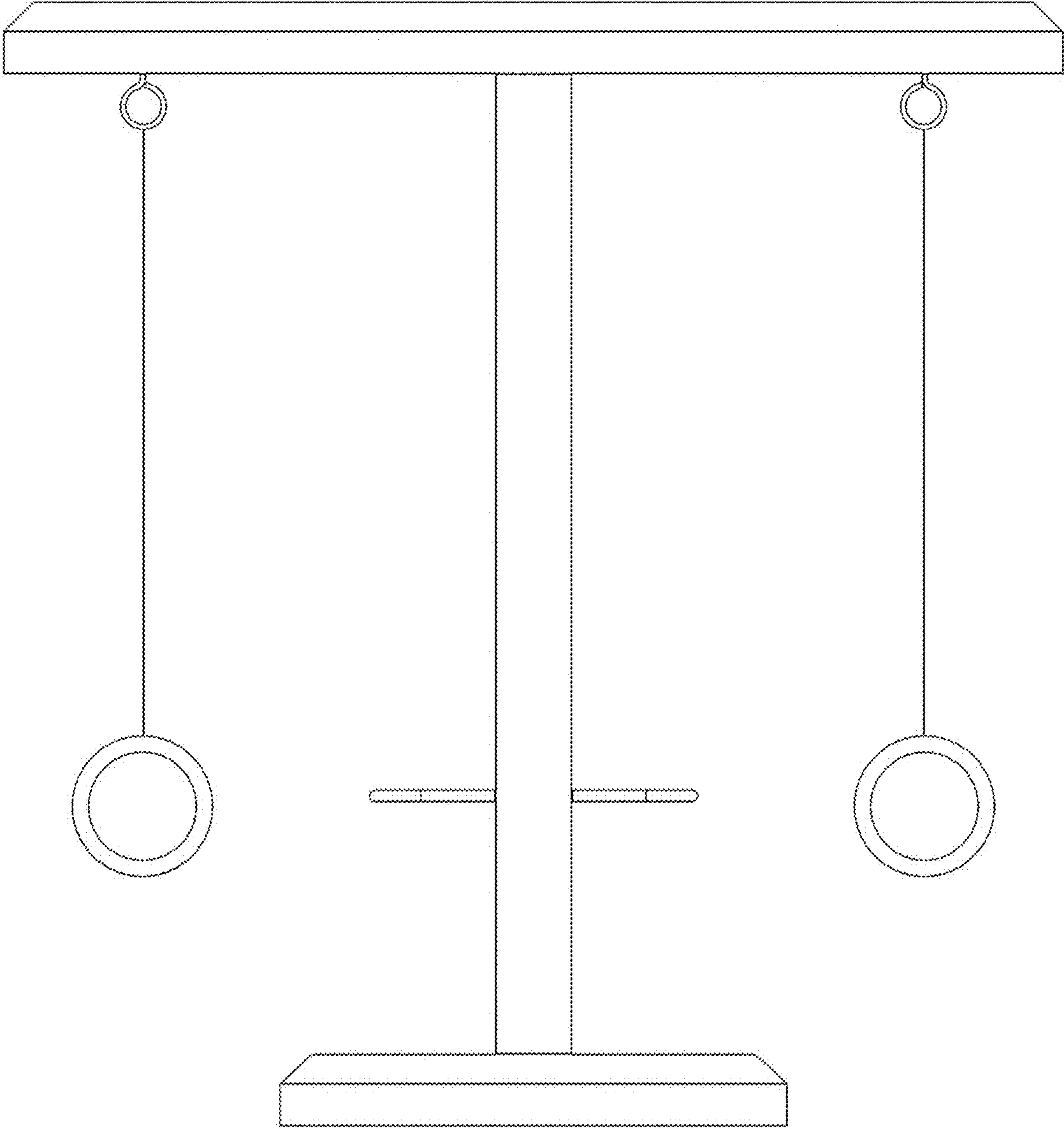


FIG. 4

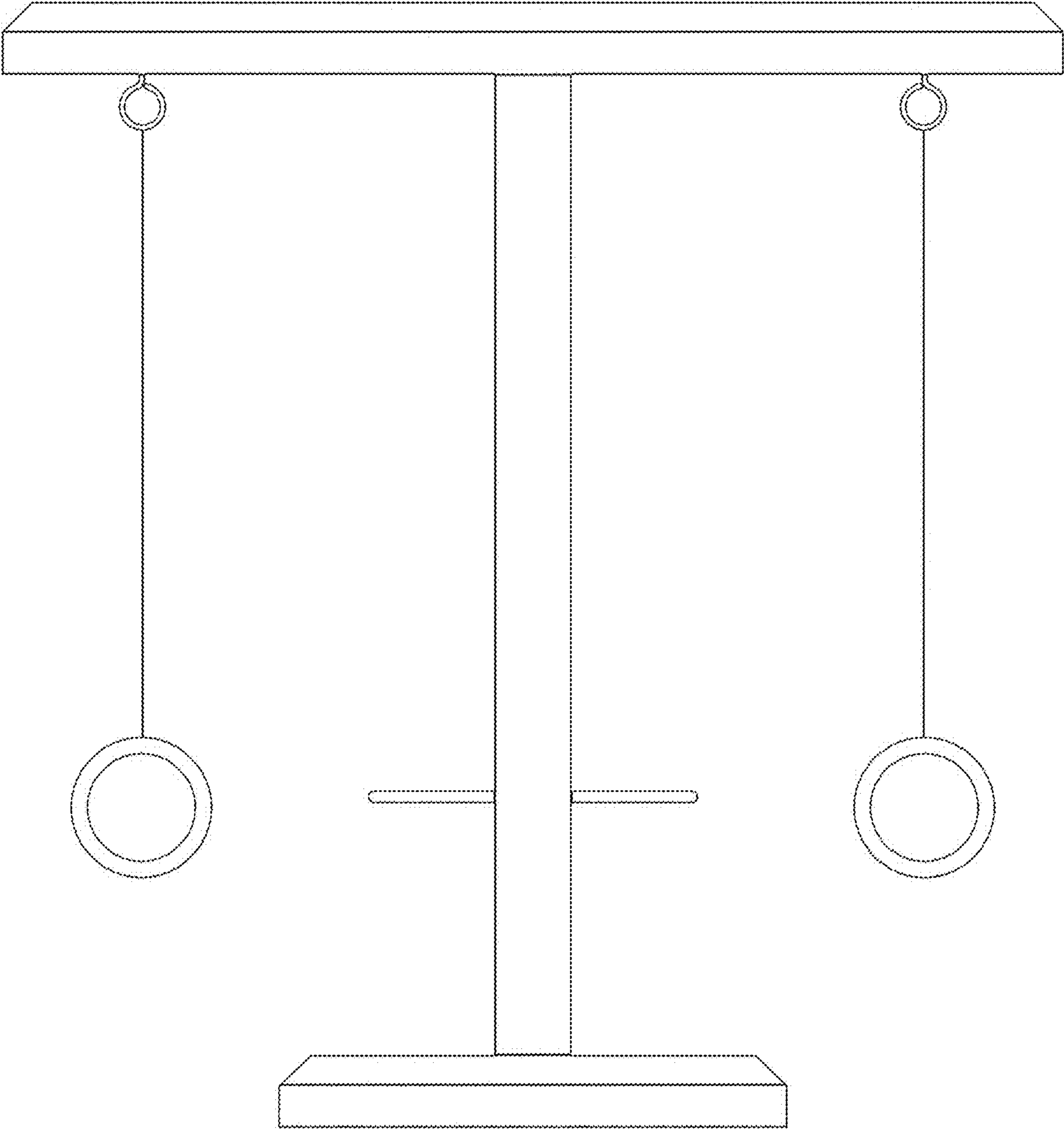


FIG. 5

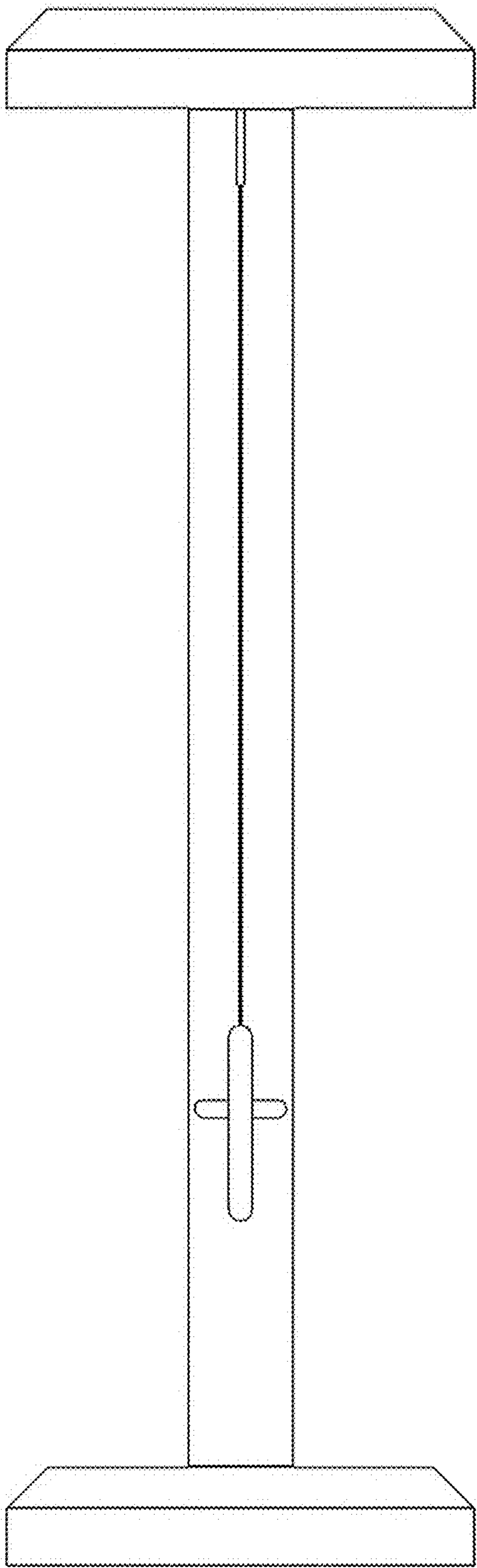


FIG. 6

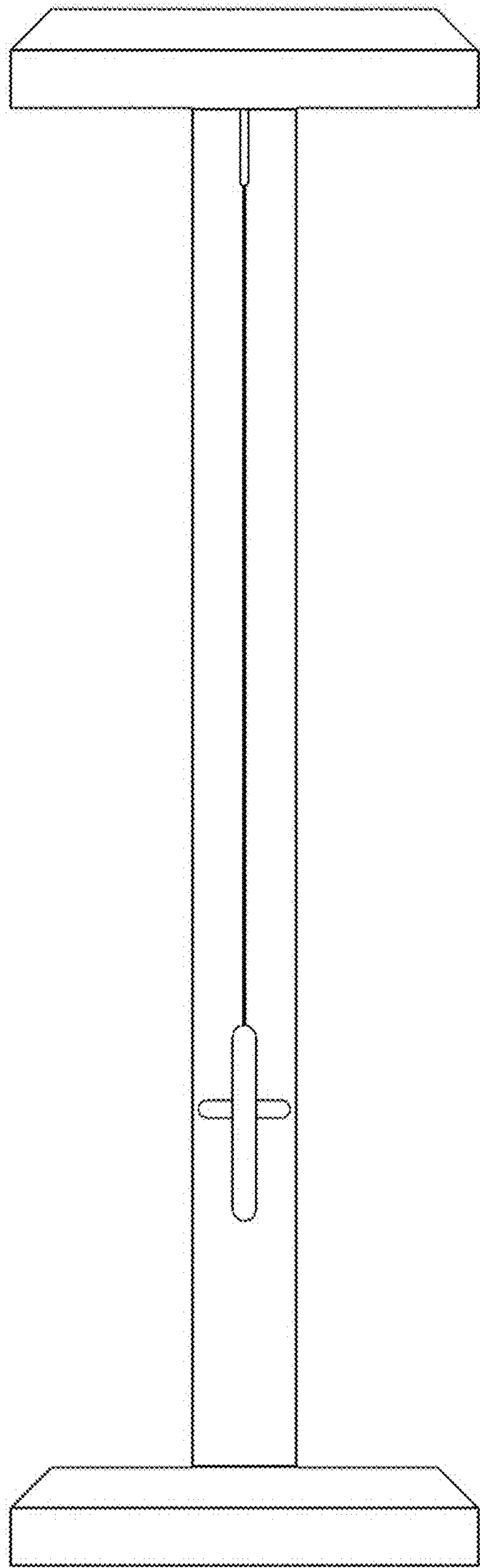


FIG. 7



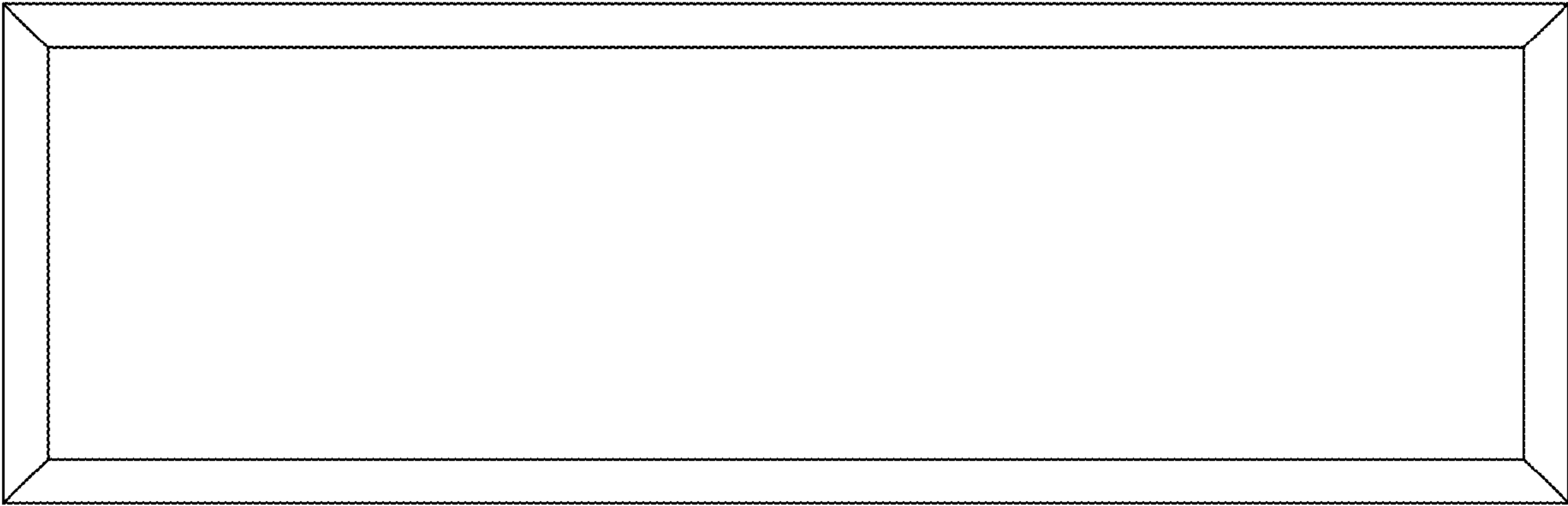


FIG.8

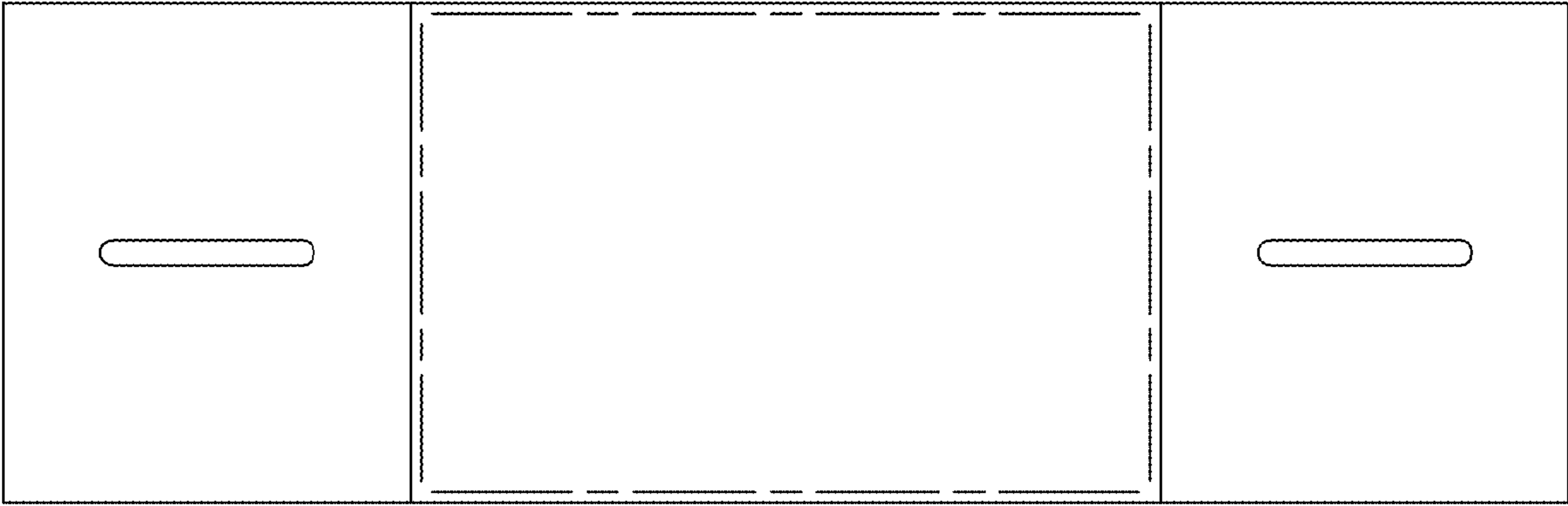


FIG.9

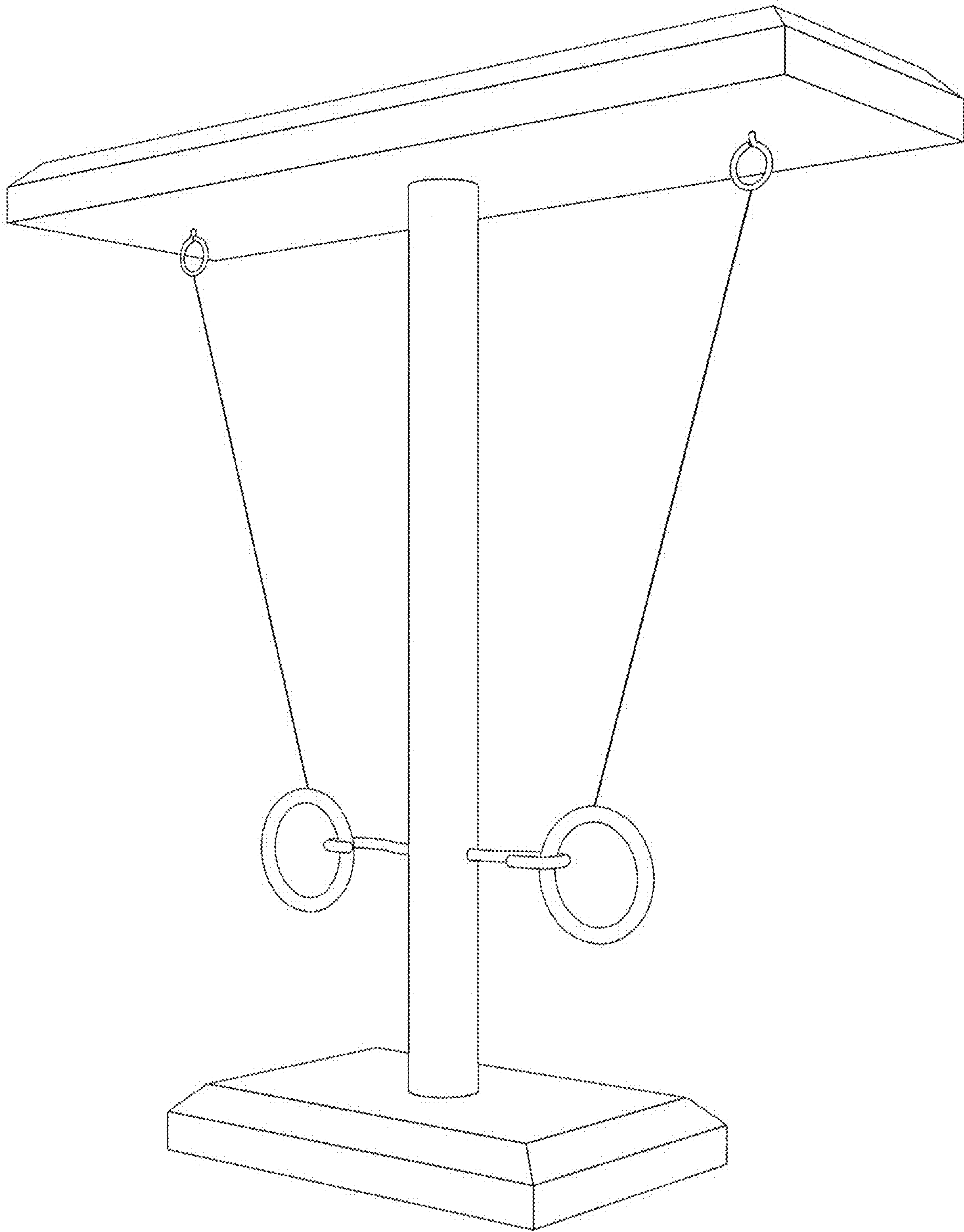


FIG. 10