



US00D958247S

(12) **United States Design Patent**
Bardakh

(10) **Patent No.:** **US D958,247 S**
(45) **Date of Patent:** **** Jul. 19, 2022**

- (54) **FENCING SPORT ARM TARGET**
- (71) Applicant: **Foil Epee Sabre Fencing Equipment Supply Corporation, Brooklyn, NY (US)**
- (72) Inventor: **Konstantin Bardakh, New York, NY (US)**
- (73) Assignee: **Foil Epee Sabre Fencing Equipment Supply Corp., Brooklyn, NY (US)**
- (**) Term: **15 Years**
- (21) Appl. No.: **29/743,604**
- (22) Filed: **Jul. 22, 2020**
- (51) **LOC (13) Cl.** **21-01**
- (52) **U.S. Cl.**
USPC **D21/302**
- (58) **Field of Classification Search**
USPC D21/300, 301, 302, 334, 335, 568, 569;
D14/251, 316, 322, 323, 324, 327, 374,
D14/375, 376, 377, 378, 379, 432, 447,
D14/448, 451, 452; 463/47.1
CPC A63B 69/02; A63B 69/00
See application file for complete search history.

(56) **References Cited**

U.S. PATENT DOCUMENTS

- 3,576,323 A * 4/1971 Pellicer A63B 69/02
463/47.1
- 4,936,578 A * 6/1990 Hudson, Sr. A63B 63/00
273/402
- D321,885 S * 11/1991 Sheldrake D14/253
- D336,671 S * 6/1993 Novakoski D21/686
- D337,333 S * 7/1993 Turk D14/251
- D363,492 S * 10/1995 Brusing D14/251
- D370,058 S * 5/1996 Bostrom D23/315
- D405,834 S * 2/1999 Weng D21/302

- D407,710 S * 4/1999 Poulos D14/251
- D425,135 S * 5/2000 Quiring D21/302
- D478,939 S * 8/2003 McReynolds D21/302
- D495,382 S * 8/2004 Ceppo D21/686
- D556,199 S * 11/2007 Song D14/357
- D599,791 S * 9/2009 Kuang D14/314
- D618,244 S * 6/2010 Sweet D14/432
- D620,942 S * 8/2010 Huang D14/447
- D629,797 S * 12/2010 Chu D14/327
- D651,606 S * 1/2012 Luijben D14/447
- D654,541 S * 2/2012 German D21/385
- D667,412 S * 9/2012 Wang D14/439
- D669,890 S * 10/2012 Hopkins D14/251
- D674,805 S * 1/2013 Vincent D14/447
- D676,451 S * 2/2013 Stanek D14/447
- D676,453 S * 2/2013 Hsu D14/447
- D676,854 S * 2/2013 Hsu D14/447
- D682,282 S * 5/2013 Steinfeld D14/447
- D690,306 S * 9/2013 Malisse D14/447
- D692,439 S * 10/2013 Muhlenberg D14/447
- D693,352 S * 11/2013 Gelsomini D14/447
- D696,675 S * 12/2013 Delrue D14/447
- D701,215 S * 3/2014 King D14/447
- D720,343 S * 12/2014 Nichols D14/253

(Continued)

Primary Examiner — Mehri F Bajoul
(74) *Attorney, Agent, or Firm* — Fairchild Law, LLC;
Steven R. Fairchild

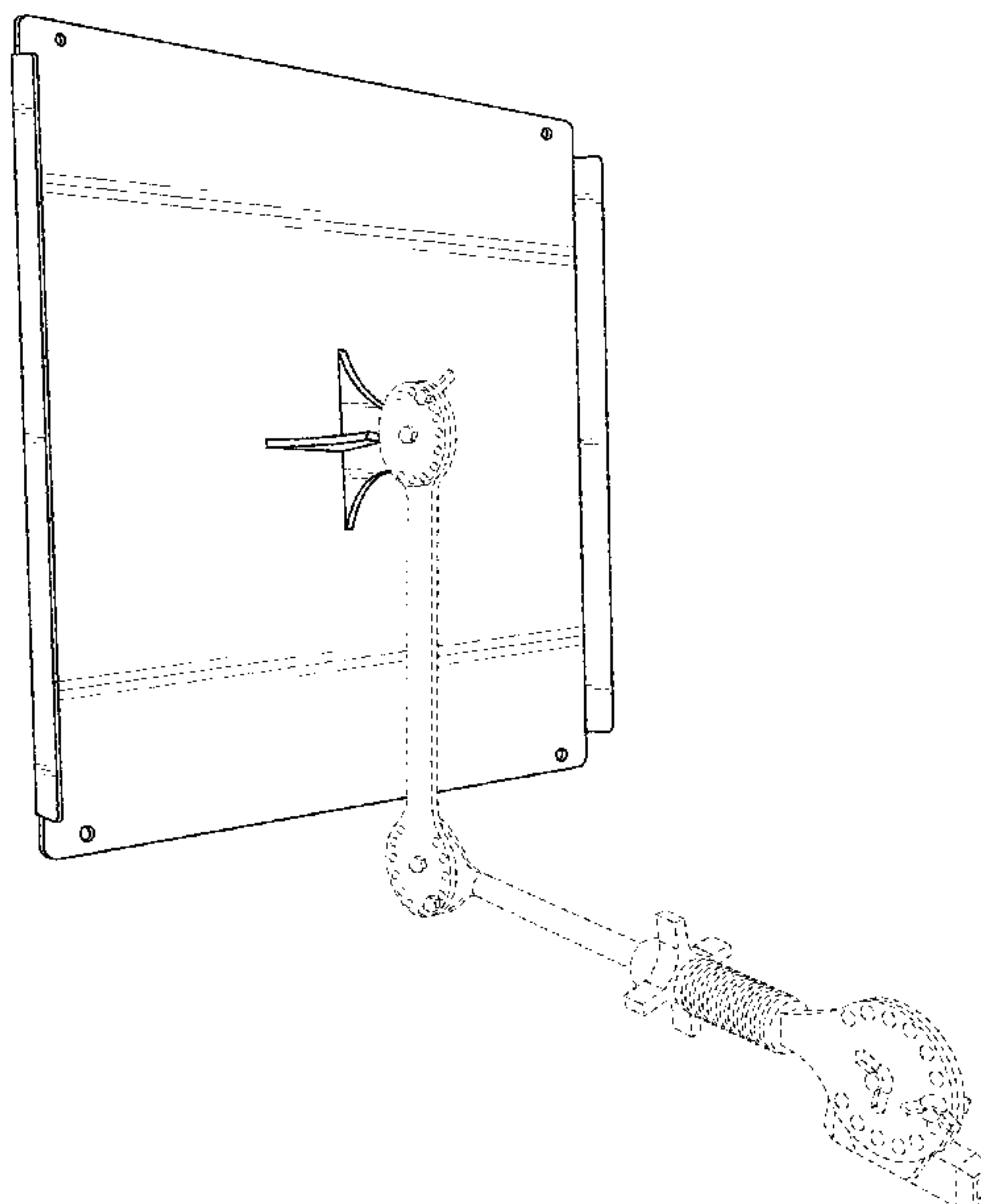
(57) **CLAIM**

The ornamental design for a fencing sport arm target, as shown and described.

DESCRIPTION

FIG. 1 is a perspective view of the fencing sport arm target showing my new design; and, FIG. 2 is another perspective view of the fencing sport arm target showing my new design. The broken lines in the drawings depict portions of the fencing sport arm target that form no part of the claimed design.

1 Claim, 2 Drawing Sheets



(56)

References Cited

U.S. PATENT DOCUMENTS

D724,072 S * 3/2015 Jiang D14/253
D726,179 S * 4/2015 Orthey D14/358
D733,701 S * 7/2015 Lee D14/327
D733,702 S * 7/2015 Lee D14/327
D734,325 S * 7/2015 Lee D14/327
D765,651 S * 9/2016 Liu D14/253
D778,365 S * 2/2017 Kott D20/43
D781,959 S * 3/2017 Thur D21/302
D796,700 S * 9/2017 Walter D25/138
D831,373 S * 10/2018 Wilson D6/406.3
D847,823 S * 5/2019 Monsalve D14/452
D849,456 S * 5/2019 Chumakov D6/656.13
D898,017 S * 10/2020 Zhang D14/253
D900,222 S * 10/2020 Meyer D21/302
D916,213 S * 4/2021 Dunahay D21/671
D919,616 S * 5/2021 Chen D14/327
D934,234 S * 10/2021 Deng D14/253
2018/0018907 A1 * 1/2018 Kim H01L 51/5253
2018/0270975 A1 * 9/2018 Ishikawa H01L 51/5275
2019/0273217 A1 * 9/2019 Lee H01L 51/0097
2019/0302849 A1 * 10/2019 Lee G06F 1/1652

* cited by examiner

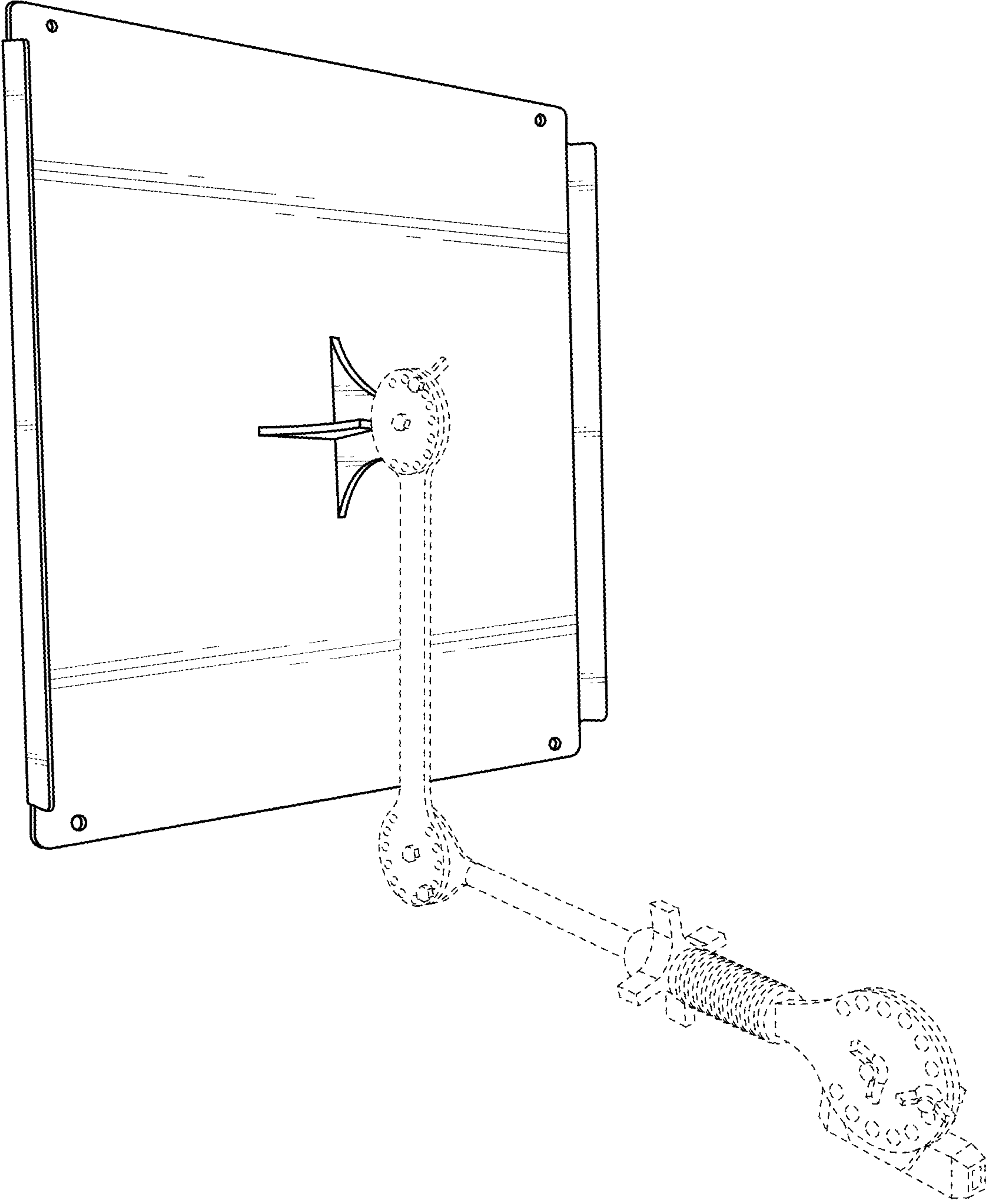


FIG. 1

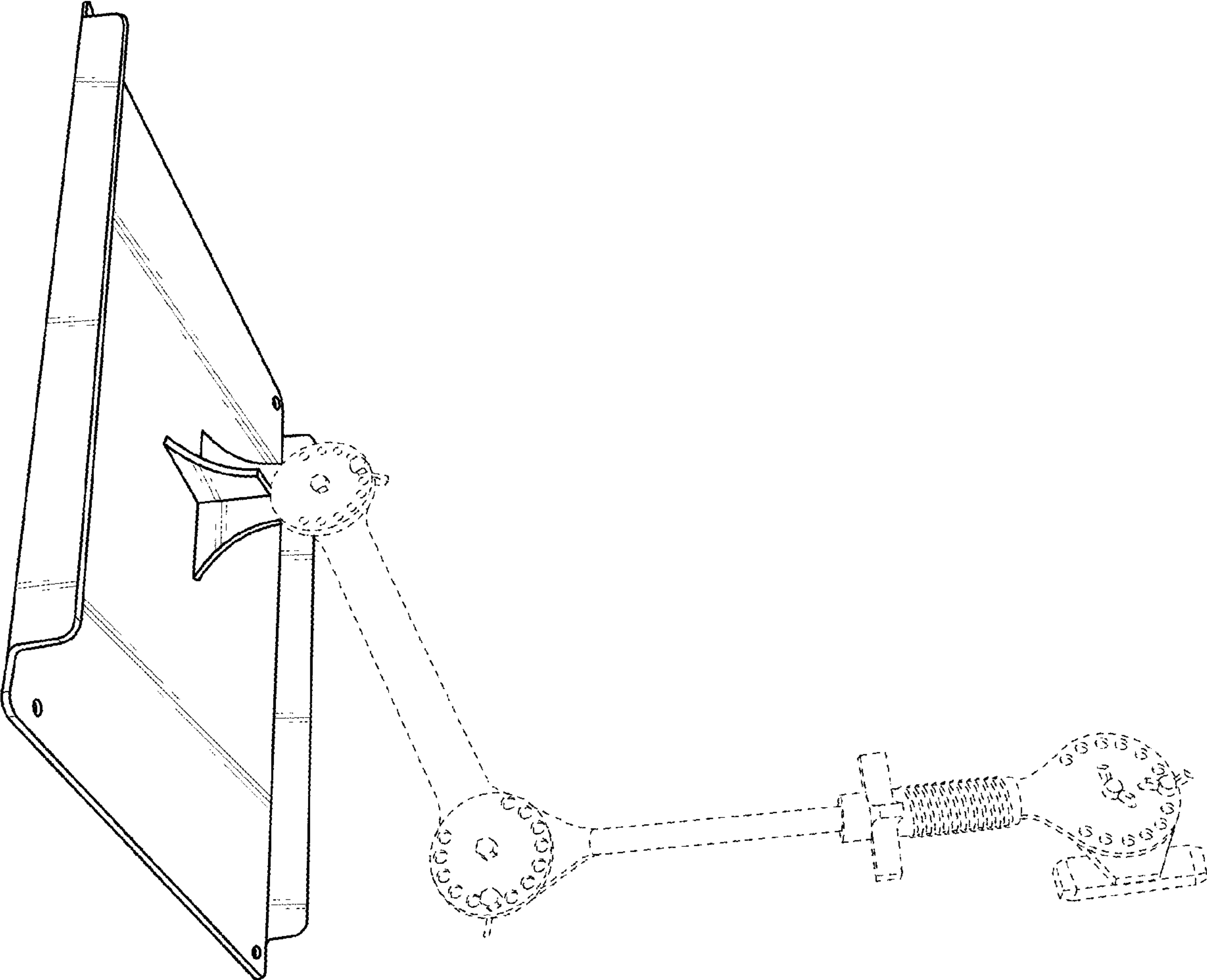


FIG. 2