



US00D958242S

(12) **United States Design Patent**
Lee et al.

(10) **Patent No.:** **US D958,242 S**
(45) **Date of Patent:** **** Jul. 19, 2022**

(54) **DIGITAL SIGNAGE**

(71) Applicant: **LG ELECTRONICS INC.**, Seoul (KR)

(72) Inventors: **Yoonkyeong Lee**, Seoul (KR); **Yongho Lee**, Seoul (KR); **Jaewon Lim**, Seoul (KR); **Hyunhee You**, Seoul (KR)

(73) Assignee: **LG ELECTRONICS INC.**, Seoul (KR)

(**) Term: **15 Years**

(21) Appl. No.: **29/728,574**

(22) Filed: **Mar. 19, 2020**

(30) **Foreign Application Priority Data**

Sep. 23, 2019 (KR) 30-2019-0045519

(51) **LOC (13) Cl.** **20-03**

(52) **U.S. Cl.**
USPC **D20/10; D14/126**

(58) **Field of Classification Search**
USPC D10/113.4; D14/125, 126, 371; D20/10, D20/19, 39, 41, 42, 99
CPC G09F 7/00; G09F 7/02; G09F 7/16; G09F 9/00; G09F 9/3026; G09F 9/33; G09F 9/35; G09F 13/00; G09F 13/22; G09F 15/00; G09F 15/0056; G09F 15/0068; G06F 3/14; H01R 13/514
See application file for complete search history.

(56) **References Cited**

U.S. PATENT DOCUMENTS

D453,191 S * 1/2002 Gentelia D20/10
D453,192 S * 1/2002 Gentelia D20/10
D680,090 S * 4/2013 Serota D14/126
D712,867 S * 9/2014 Vats D14/138 AB

D717,257 S * 11/2014 Kim D14/126
D717,785 S * 11/2014 Winston D14/307
D723,623 S * 3/2015 Smith D20/41
D725,947 S * 4/2015 Tio D6/675.1
D741,276 S * 10/2015 Shin D14/126
D754,122 S * 4/2016 Oakley D14/336
D759,611 S * 6/2016 Kim D14/126
D761,220 S * 7/2016 Kim D14/126
D779,240 S * 2/2017 Tio D6/675
D806,797 S * 1/2018 Irek D20/10
D807,312 S * 1/2018 Jeong D14/126
D807,846 S * 1/2018 Kim D14/126
D826,878 S * 8/2018 Kim D14/126
D827,029 S * 8/2018 Lim D20/10
D830,982 S * 10/2018 Bakshi D14/126
D867,035 S * 11/2019 Brugger D6/675
D867,456 S * 11/2019 Hwang D20/10
D880,593 S * 4/2020 Lee D20/39
D885,382 S * 5/2020 Kim D14/371
D890,710 S * 7/2020 Bakshi D14/126

(Continued)

Primary Examiner — Catherine Ho

(74) *Attorney, Agent, or Firm* — Birch, Stewart, Kolasch & Birch, LLP

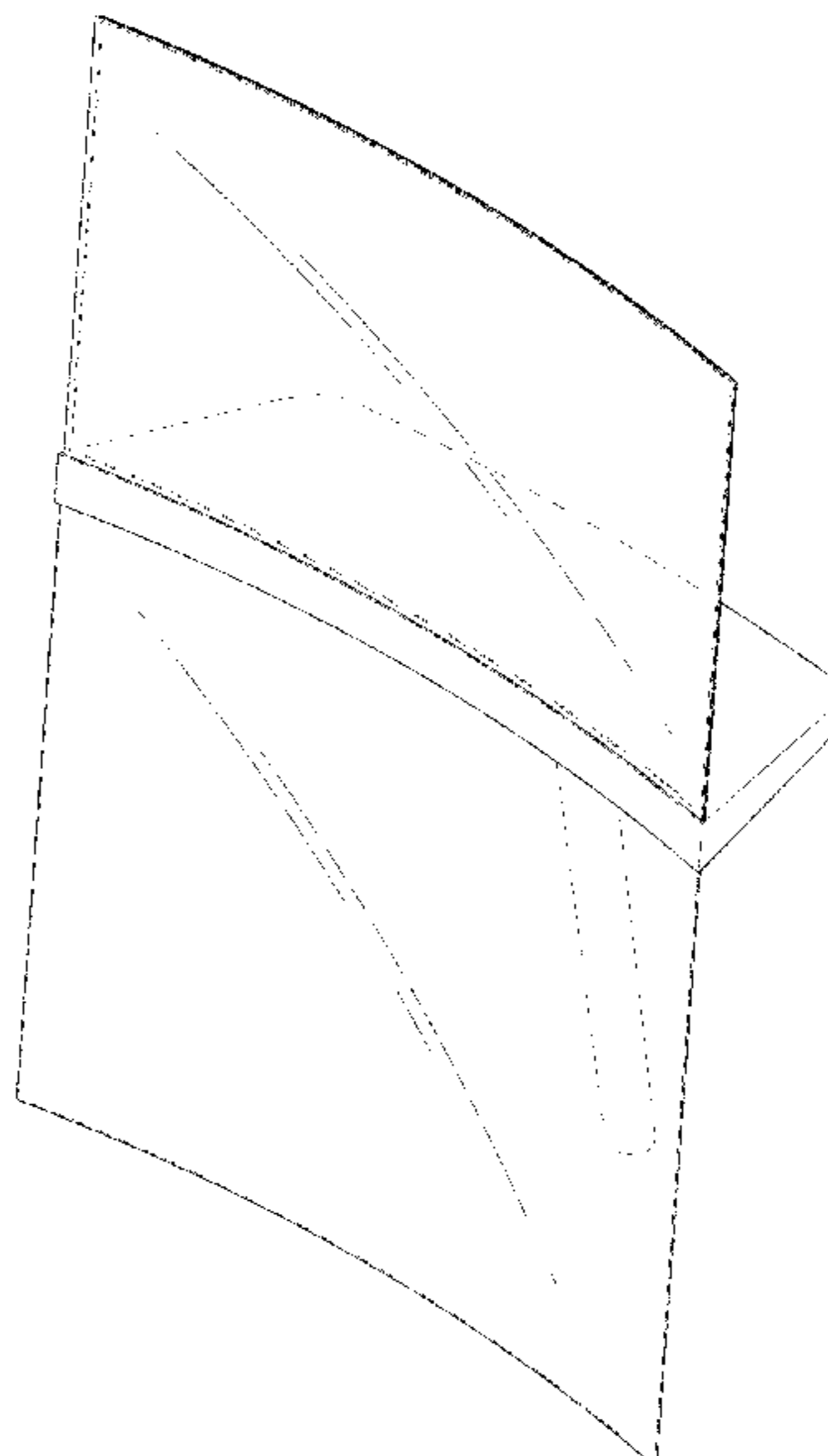
(57) **CLAIM**

The ornamental design for a digital signage, as shown and described.

DESCRIPTION

FIG. 1 is a front, right side, perspective view of a digital signage showing our new design;
FIG. 2 is a front view thereof;
FIG. 3 is a rear view thereof;
FIG. 4 is a left side view thereof;
FIG. 5 is a right side view thereof;
FIG. 6 is a top view thereof; and,
FIG. 7 is a bottom view thereof.
The subject design is a digital signage in which the transparent touch display is coupled to the upper portion of the transparent stand.

1 Claim, 6 Drawing Sheets



(56)

References Cited

U.S. PATENT DOCUMENTS

D924,222 S * 7/2021 Lee D14/307
2009/0211122 A1* 8/2009 White G09F 15/0056
40/1

* cited by examiner

FIG. 1

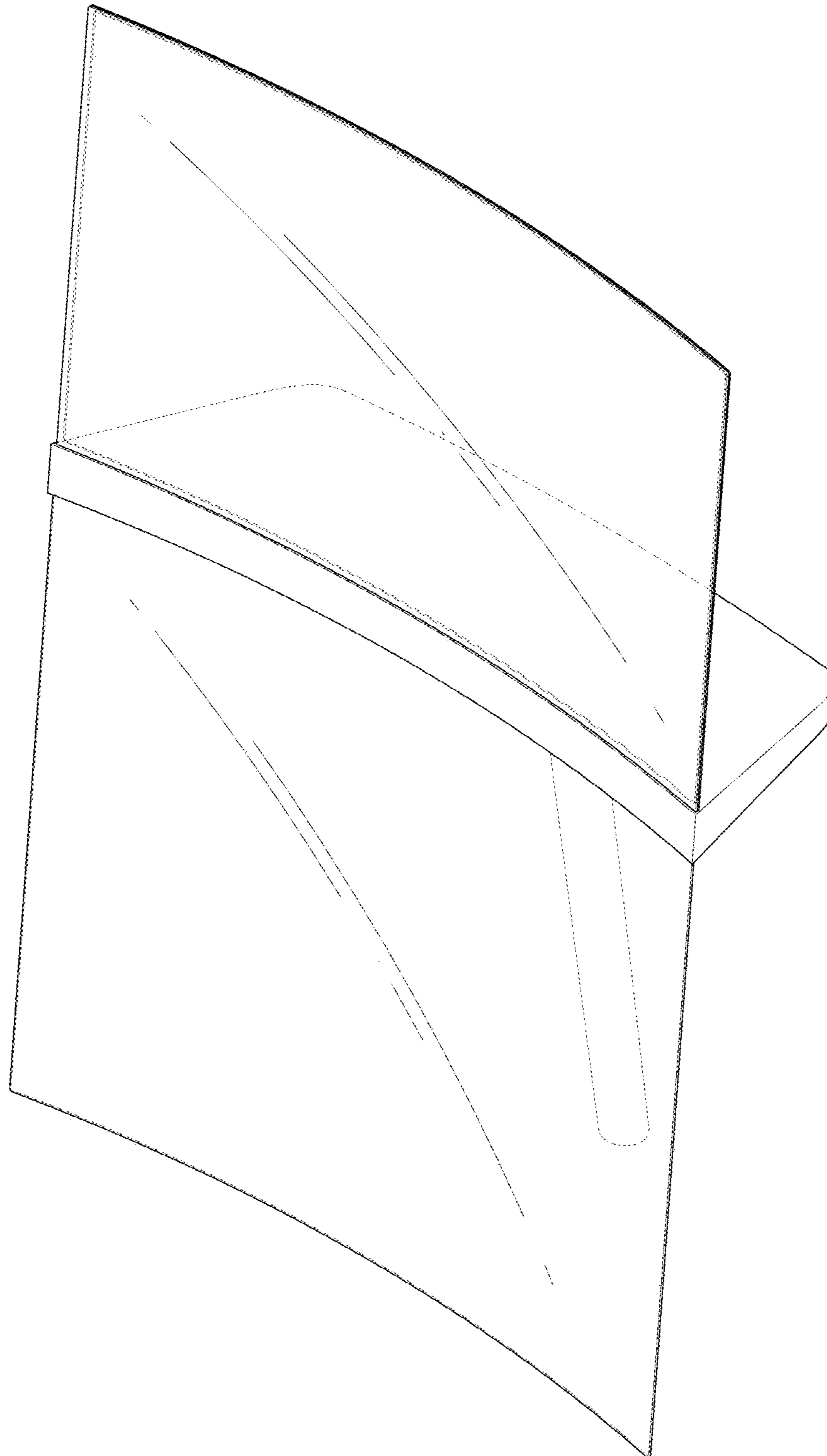


FIG. 2

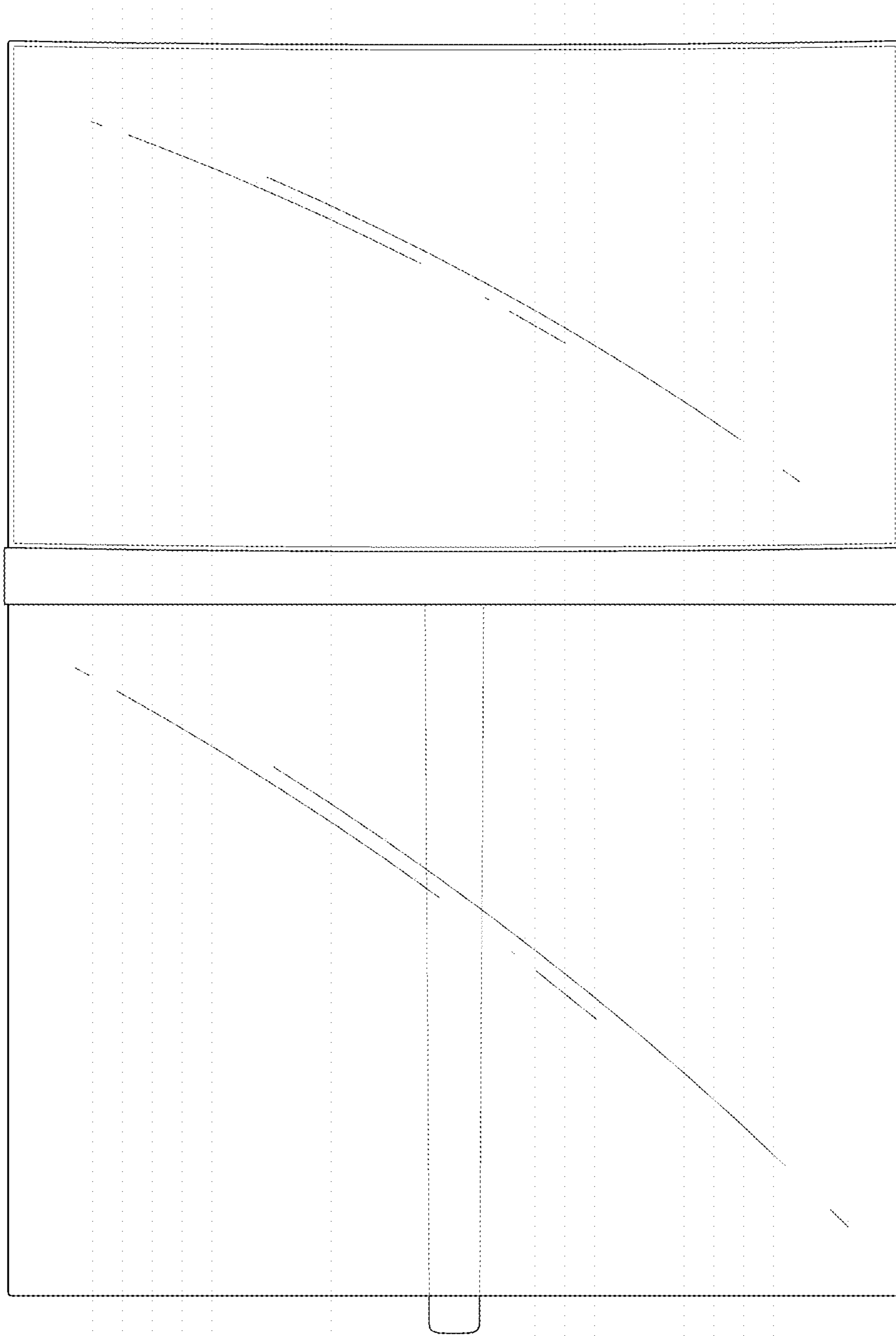


FIG. 3

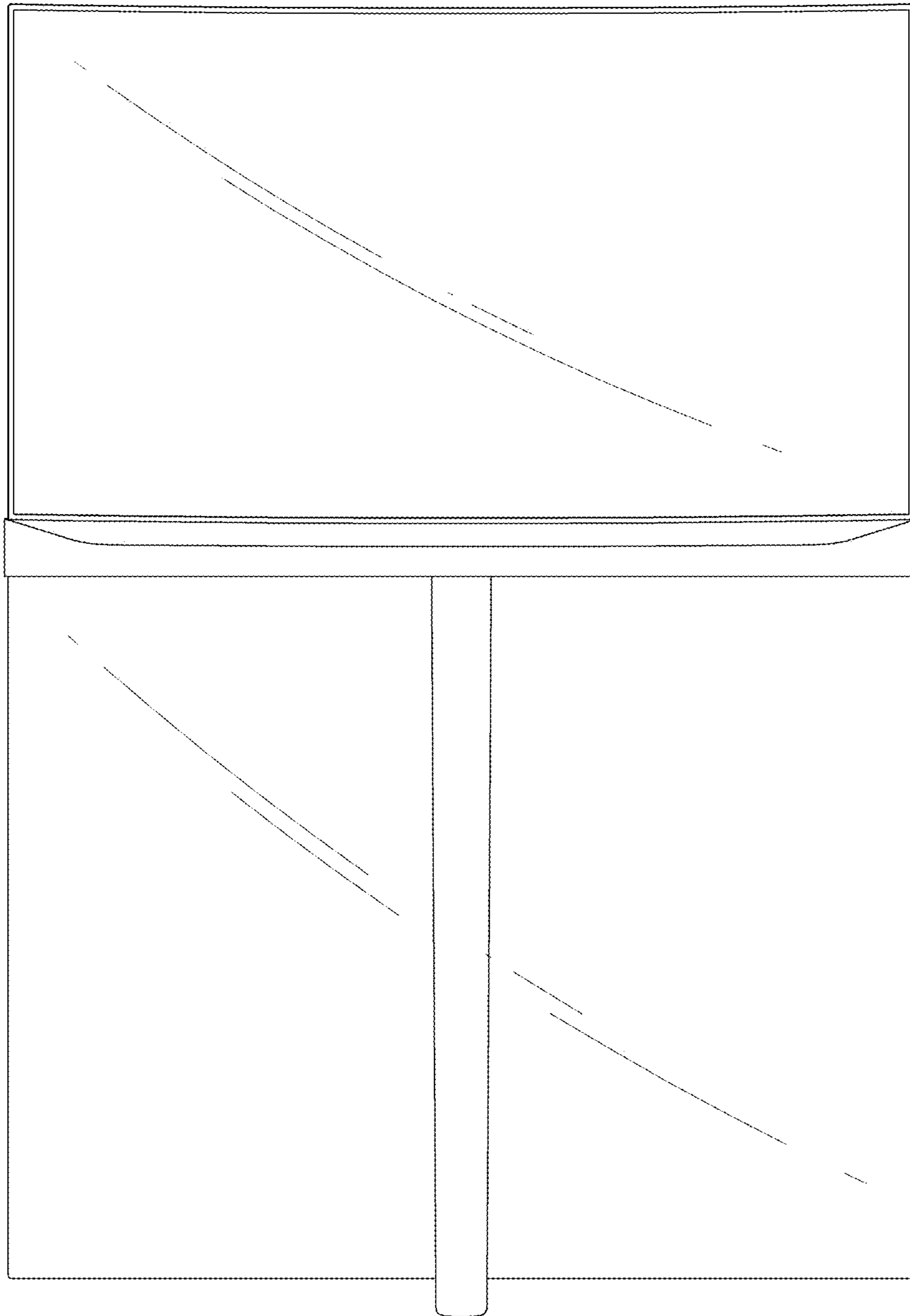


FIG. 4

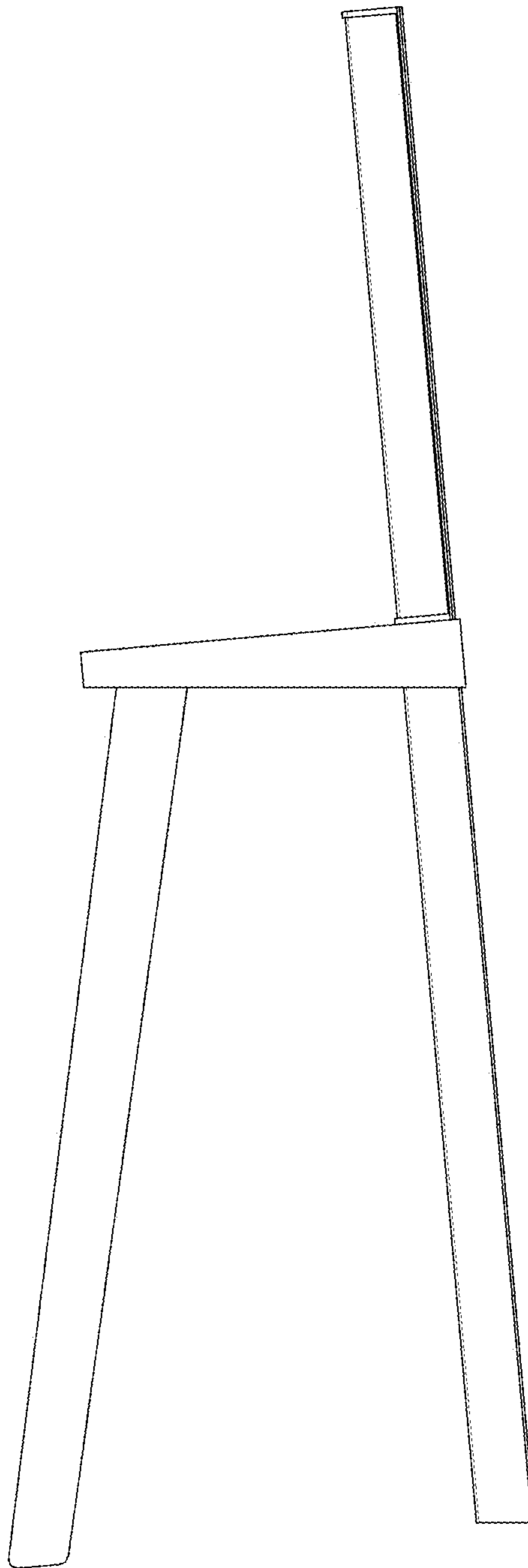


FIG. 5

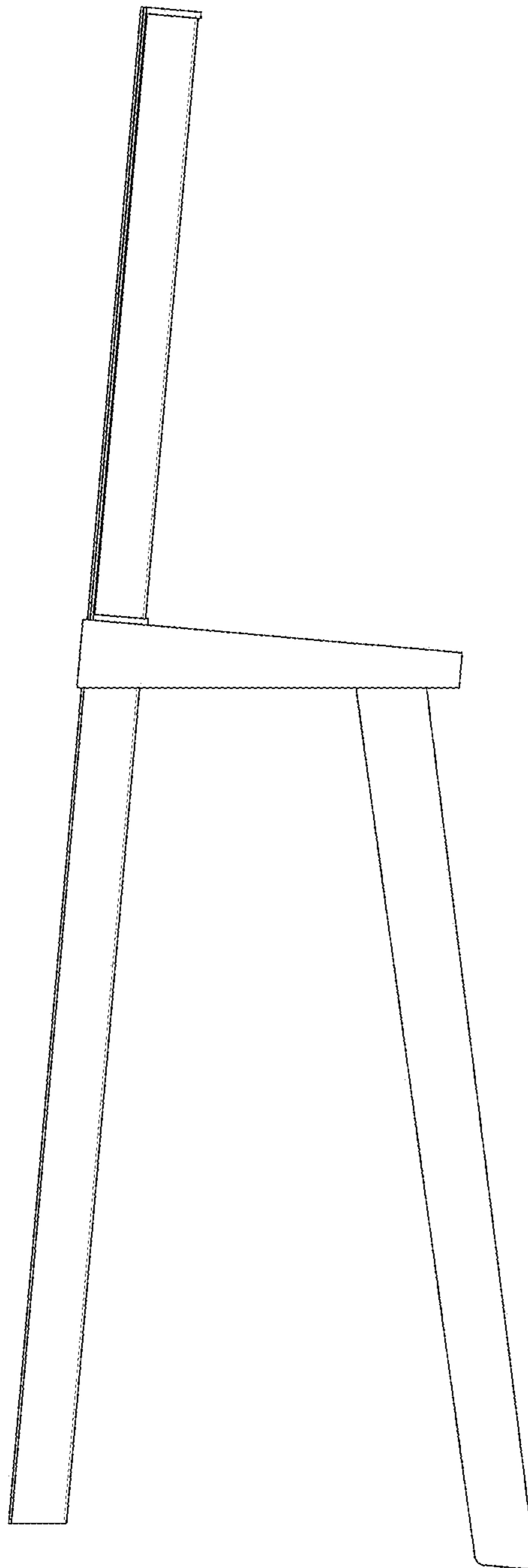


FIG. 6

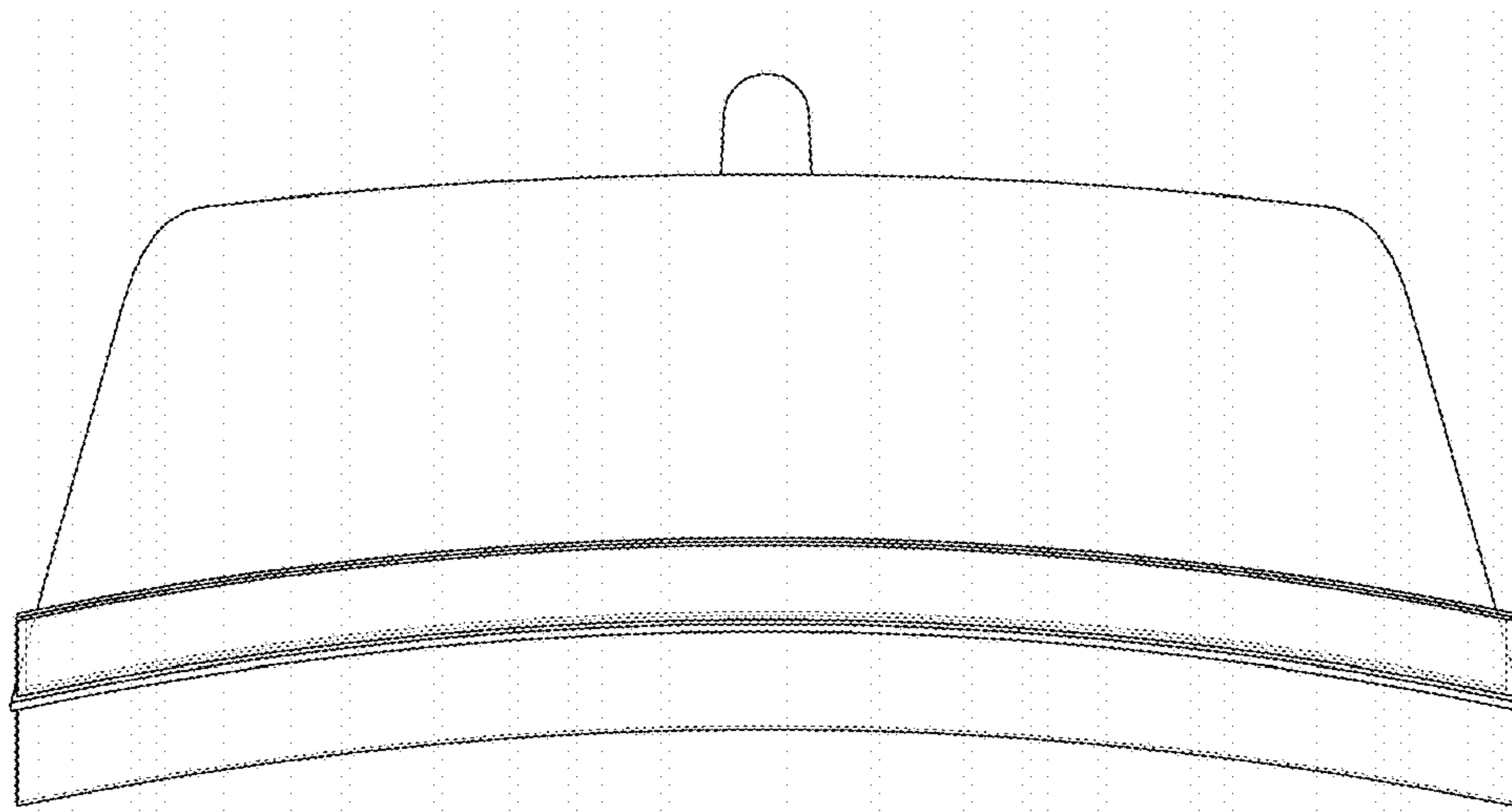


FIG. 7

