



US00D958239S

(12) **United States Design Patent** (10) **Patent No.:** **US D958,239 S**
Vigiletti et al. (45) **Date of Patent:** **** Jul. 19, 2022**

(54) **TRANSACTION CARD WITH STACKED ACCOUNT IDENTIFIER AND ANGULAR FEATURE**
(71) Applicant: **Mastercard International Incorporated**, Purchase, NY (US)
(72) Inventors: **Judy Vigiletti**, Croton, NY (US); **Christopher Pozzi**, Danbury, CT (US)
(73) Assignee: **Mastercard International Incorporated**, Purchase, NY (US)
(**) Term: **15 Years**

D652,448 S 1/2012 Mullen et al.
D672,389 S 12/2012 Mullen et al.
D674,013 S 1/2013 Mullen et al.
D709,128 S 7/2014 Reed et al.
D710,440 S 8/2014 Reed et al.
D710,938 S 8/2014 Reed et al.
D715,854 S 10/2014 Sippola et al.
D716,824 S 11/2014 Reed et al.
D724,660 S 3/2015 Sippola et al.
D724,661 S 3/2015 Sippola et al.
D725,187 S 3/2015 Sippola et al.
D725,188 S 3/2015 Sippola et al.
D725,189 S 3/2015 Sippola et al.
D725,701 S 3/2015 Sippola et al.
D742,963 S * 11/2015 Sippola D19/10
D765,177 S 8/2016 Hewitt et al.
D921,749 S * 6/2021 Reed B42D 25/45
D19/9
2007/0007334 A1 1/2007 Wong
2013/0091044 A1 4/2013 Reed et al.

(21) Appl. No.: **29/730,367**
(22) Filed: **Apr. 3, 2020**
(51) **LOC (13) Cl.** **19-08**
(52) **U.S. Cl.**
USPC **D19/9**
(58) **Field of Classification Search**
USPC D19/1-10, 20-34; 40/124.01-124.15, 40/661, 776, 726; 283/72, 75-76, 283/105-107, 82, 70, 904, 74; 206/449; D21/385; D20/10-11, 22, 27, 40, 42; 360/2; 235/380, 382
CPC B42D 15/00; B42D 15/022; B42D 15/027; B42D 15/045; B42D 15/047; B42D 25/00; B42D 25/20; B42D 25/23; B42D 25/26; B42D 25/29; B42D 25/30; B42D 25/40; B42D 25/22; B42D 2033/02; B42D 2033/04; B42D 2033/08; B42D 2033/10; B42D 2033/16; B42D 2033/18; B42D 2033/20; B42D 2033/28; B42D 2033/30; G09F 3/00; G09F 3/02; G09F 2003/0201

See application file for complete search history.

(56) **References Cited**
U.S. PATENT DOCUMENTS
5,259,649 A 11/1993 Shomron
D652,075 S 1/2012 Mullen et al.

FOREIGN PATENT DOCUMENTS

JP 2002222397 8/2002
JP 2003091711 3/2003
JP 2003091713 3/2003
JP 2005153445 6/2005

OTHER PUBLICATIONS

https://commons.wikimedia.org/wiki/file:SIM_card.jpg (Oct. 6, 2011).
* cited by examiner

Primary Examiner — Abraham Bahta
(74) *Attorney, Agent, or Firm* — Hovey Williams LLP

(57) **CLAIM**
The ornamental design for a transaction card with stacked account identifier and angular feature, as shown and described.

DESCRIPTION

FIG. 1 is a rear perspective view of a transaction card with stacked account identifier and angular feature embodying our design;
FIG. 2 is a rear plan view thereof;

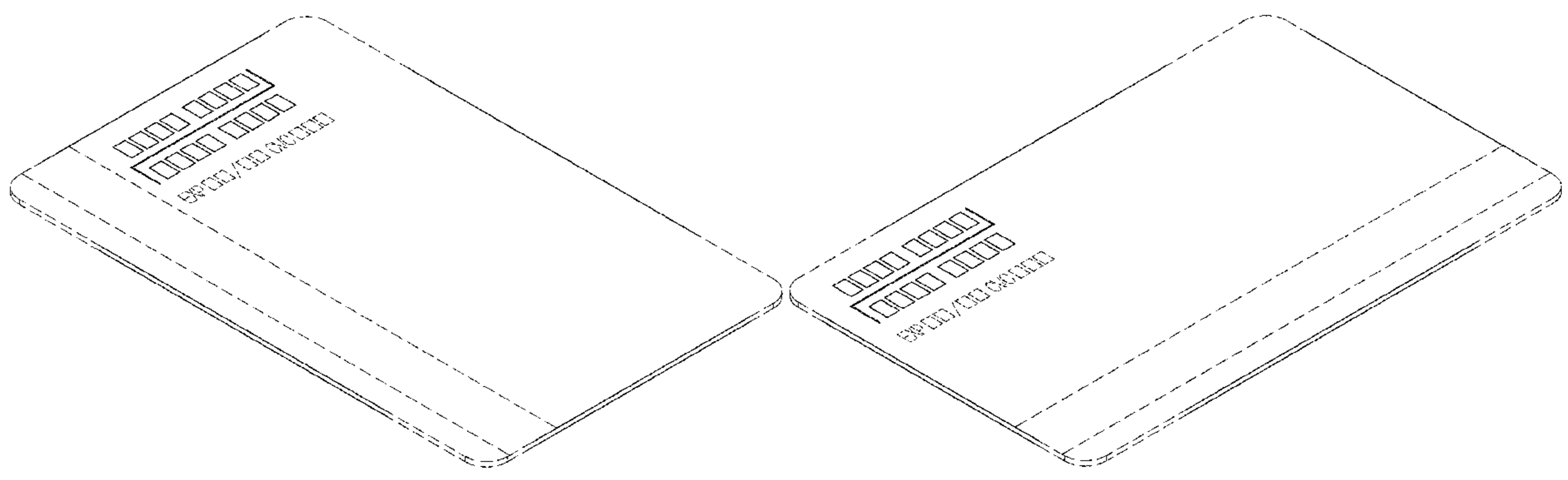


FIG. 3 is a rear perspective view of a second embodiment;
FIG. 4 is a rear plan view thereof;
FIG. 5 is a rear perspective view of a third embodiment;
FIG. 6 is a rear plan view thereof;
FIG. 7 is a rear perspective view of a fourth embodiment;
FIG. 8 is a rear plan view thereof;
FIG. 9 is a rear perspective view of a fifth embodiment;
FIG. 10 is a rear plan view thereof;
FIG. 11 is a rear perspective view of a sixth embodiment;
FIG. 12 is a rear plan view thereof;
FIG. 13 is a rear perspective view of a seventh embodiment;
FIG. 14 is a rear plan view thereof;
FIG. 15 is a rear perspective view of an eighth embodiment;
FIG. 16 is a rear plan view thereof;
FIG. 17 is a rear perspective view of a ninth embodiment;
FIG. 18 is a rear plan view thereof;
FIG. 19 is a rear perspective view of a tenth embodiment;
FIG. 20 is a rear plan view thereof;
FIG. 21 is a rear perspective view of an eleventh embodiment;
FIG. 22 is a rear plan view thereof;
FIG. 23 is a rear perspective view of a twelfth embodiment;
FIG. 24 is a rear plan view thereof;
FIG. 25 is a rear perspective view of a thirteenth embodiment;
FIG. 26 is a rear plan view thereof;
FIG. 27 is a rear perspective view of a fourteenth embodiment;
FIG. 28 is a rear plan view thereof;
FIG. 29 is a rear perspective view of a fifteenth embodiment;
FIG. 30 is a rear plan view thereof;
FIG. 31 is a front perspective view of a sixteenth embodiment;
FIG. 32 is a front plan view thereof;
FIG. 33 is a front perspective view of a seventeenth embodiment;
FIG. 34 is a front plan view thereof;
FIG. 35 is a front perspective view of an eighteenth embodiment;
FIG. 36 is a front plan view thereof;
FIG. 37 is a front perspective view of a nineteenth embodiment;
FIG. 38 is a front plan view thereof;
FIG. 39 is a front perspective view of a twentieth embodiment;
FIG. 40 is a front plan view thereof;
FIG. 41 is a front perspective view of a twenty-first embodiment;
FIG. 42 is a front plan view thereof;
FIG. 43 is a front perspective view of a twenty-second embodiment;
FIG. 44 is a front plan view thereof;
FIG. 45 is a front perspective view of a twenty-third embodiment;
FIG. 46 is a front plan view thereof;
FIG. 47 is a front perspective view of a twenty-fourth embodiment;
FIG. 48 is a front plan view thereof;

FIG. 49 is a front perspective view of a twenty-fifth embodiment;
FIG. 50 is a front plan view thereof;
FIG. 51 is a front perspective view of a twenty-sixth embodiment;
FIG. 52 is a front plan view thereof;
FIG. 53 is a front perspective view of a twenty-seventh embodiment;
FIG. 54 is a front plan view thereof;
FIG. 55 is a front perspective view of a twenty-eighth embodiment;
FIG. 56 is a front plan view thereof;
FIG. 57 is a front perspective view of a twenty-ninth embodiment;
FIG. 58 is a front plan view thereof;
FIG. 59 is a front perspective view of a thirtieth embodiment;
FIG. 60 is a front plan view thereof;
FIG. 61 is a front perspective view of a thirty-first embodiment;
FIG. 62 is a front plan view thereof;
FIG. 63 is a front perspective view of a thirty-second embodiment;
FIG. 64 is a front plan view thereof;
FIG. 65 is a front perspective view of a thirty-third embodiment;
FIG. 66 is a front plan view thereof;
FIG. 67 is a front perspective view of a thirty-fourth embodiment;
FIG. 68 is a front plan view thereof;
FIG. 69 is a front perspective view of a thirty-fifth embodiment;
FIG. 70 is a front plan view thereof;
FIG. 71 is a front perspective view of a thirty-sixth embodiment;
FIG. 72 is a front plan view of thereof;
FIG. 73 is a front perspective view of a thirty-seventh embodiment;
FIG. 74 is a front plan view thereof;
FIG. 75 is a front perspective view of a thirty-eighth embodiment;
FIG. 76 is a front plan view thereof;
FIG. 77 is a front perspective view of a thirty-ninth embodiment;
FIG. 78 is a front plan view thereof;
FIG. 79 is a front perspective view of a fortieth embodiment;
FIG. 80 is a front plan view thereof;
FIG. 81 is a front perspective view of a forty-first embodiment;
FIG. 82 is a front plan view thereof;
FIG. 83 is a front perspective view of a forty-second embodiment; and,
FIG. 84 is a front plan view of thereof.
The broken lines are directed to environment and form no part of the claimed design. The rectangular boxes represent positions of alphanumeric or symbolic characters of an account identifier.

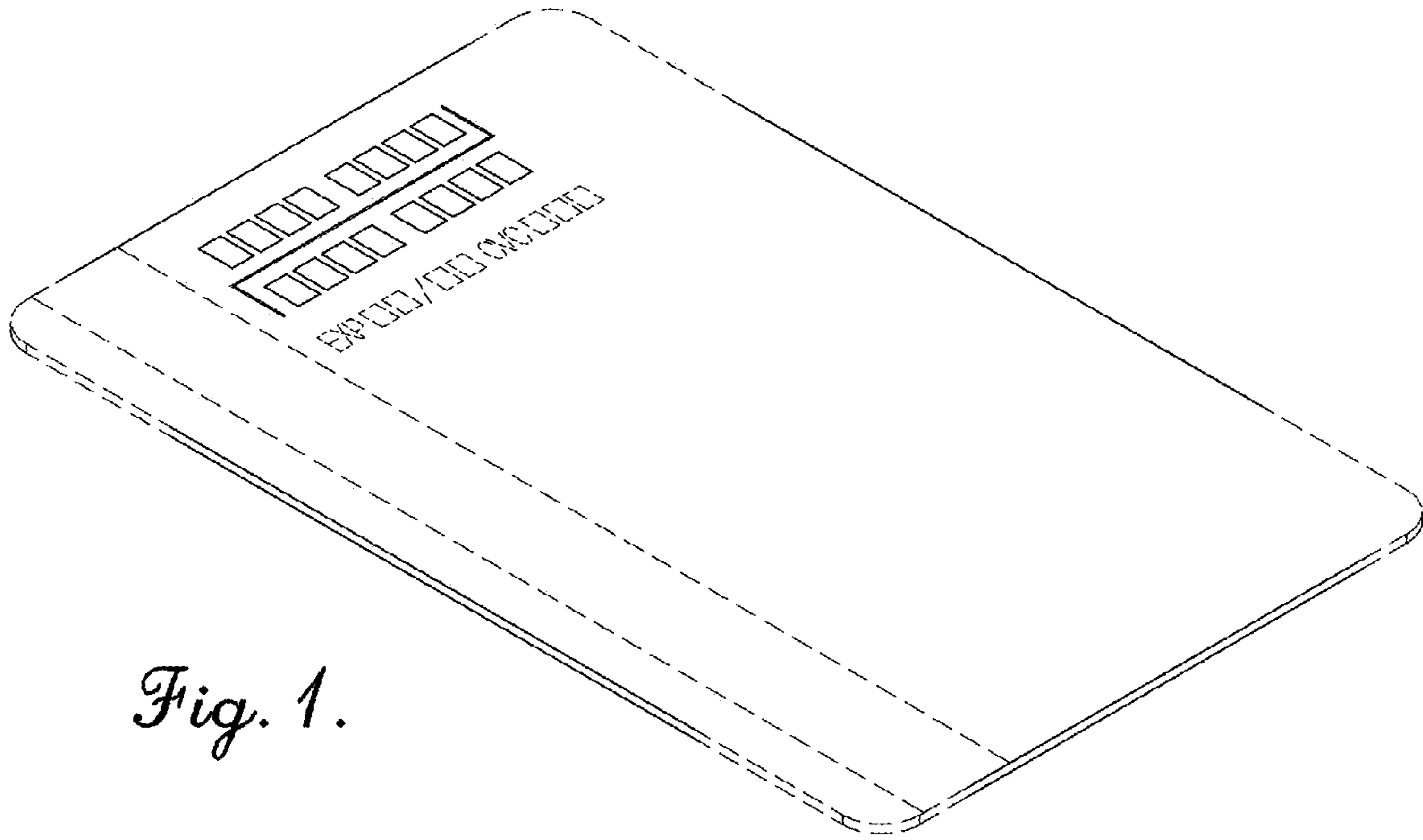


Fig. 1.

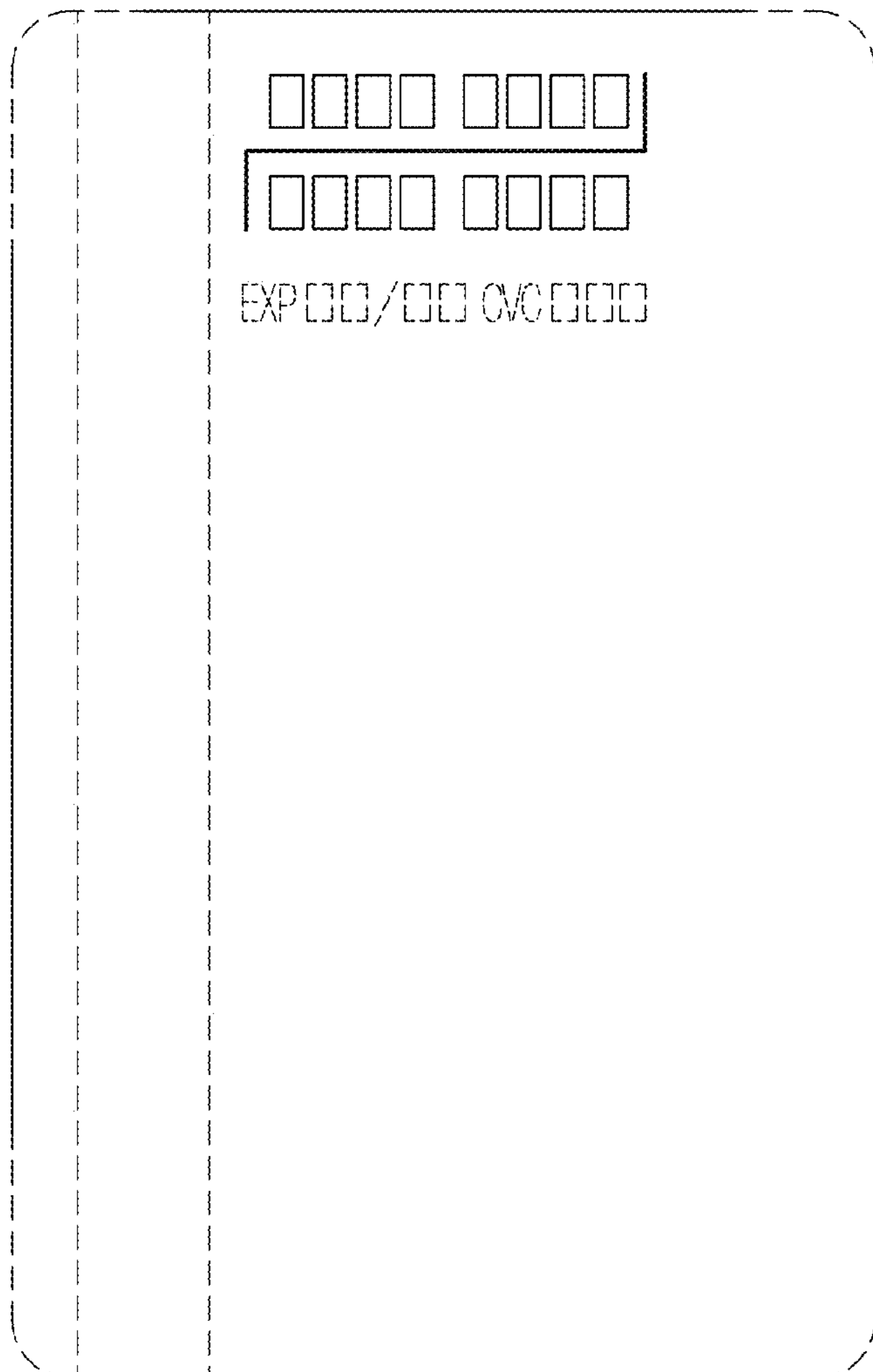


Fig. 2.

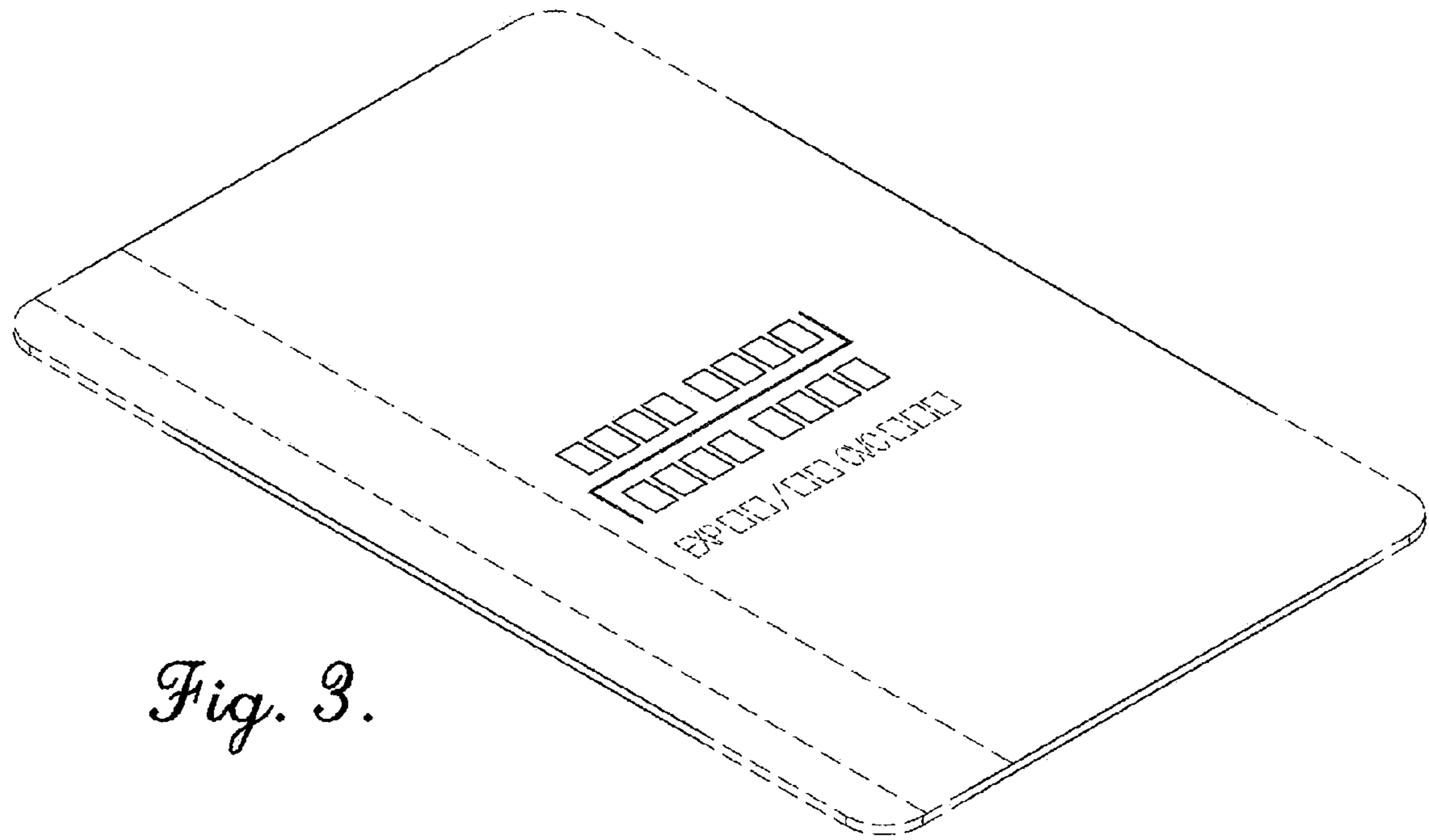


Fig. 3.

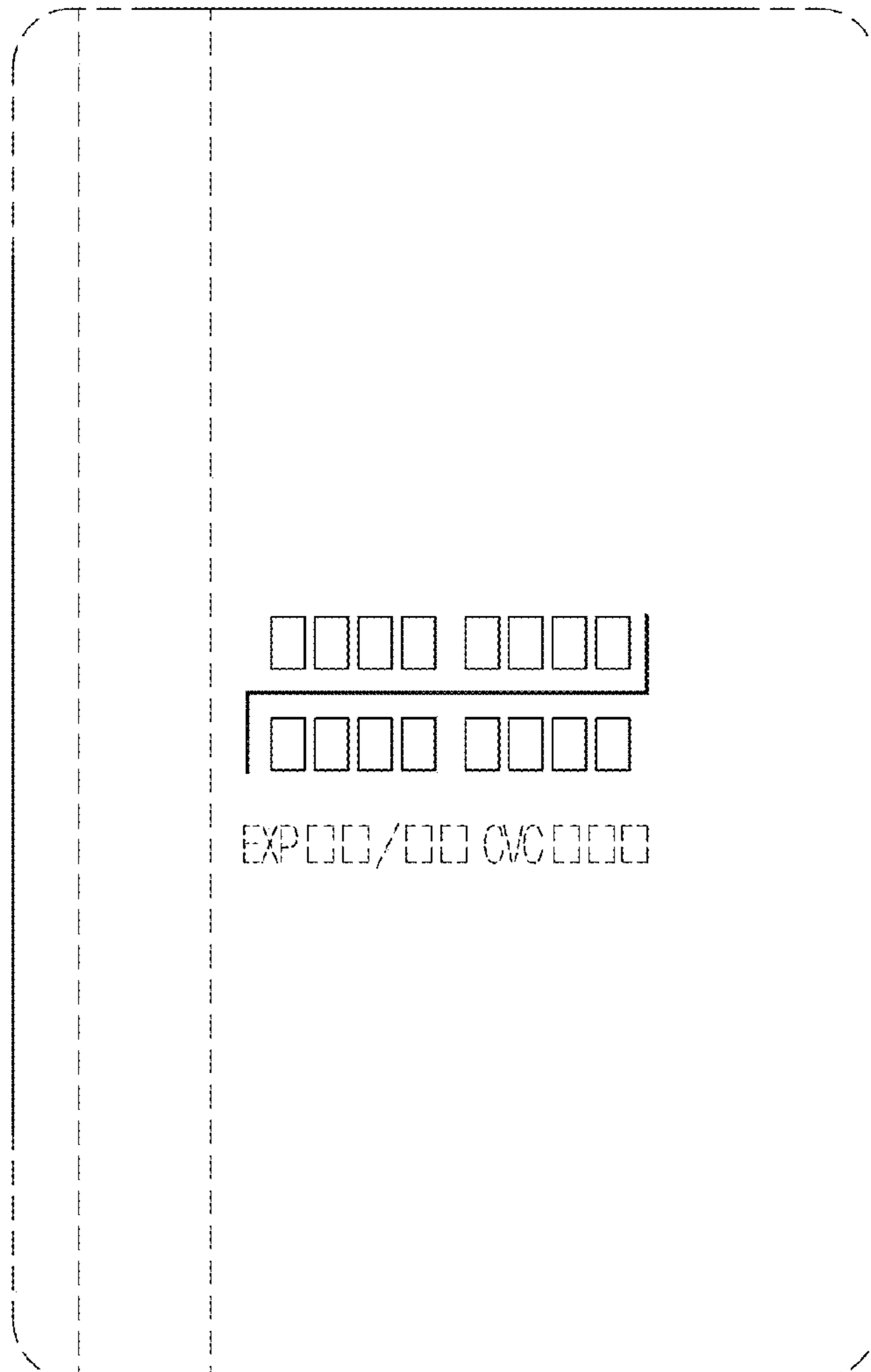


Fig. 4.

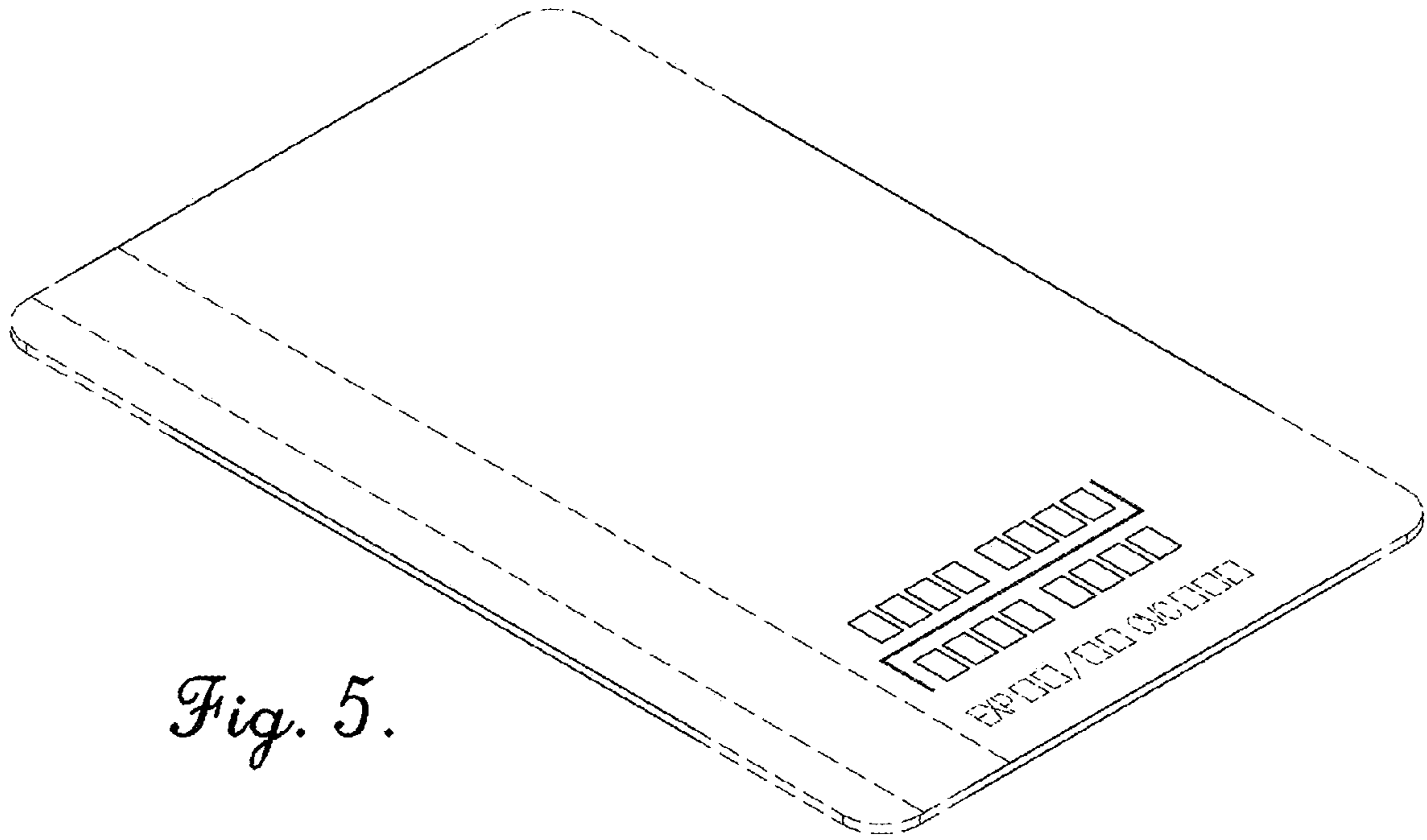


Fig. 5.

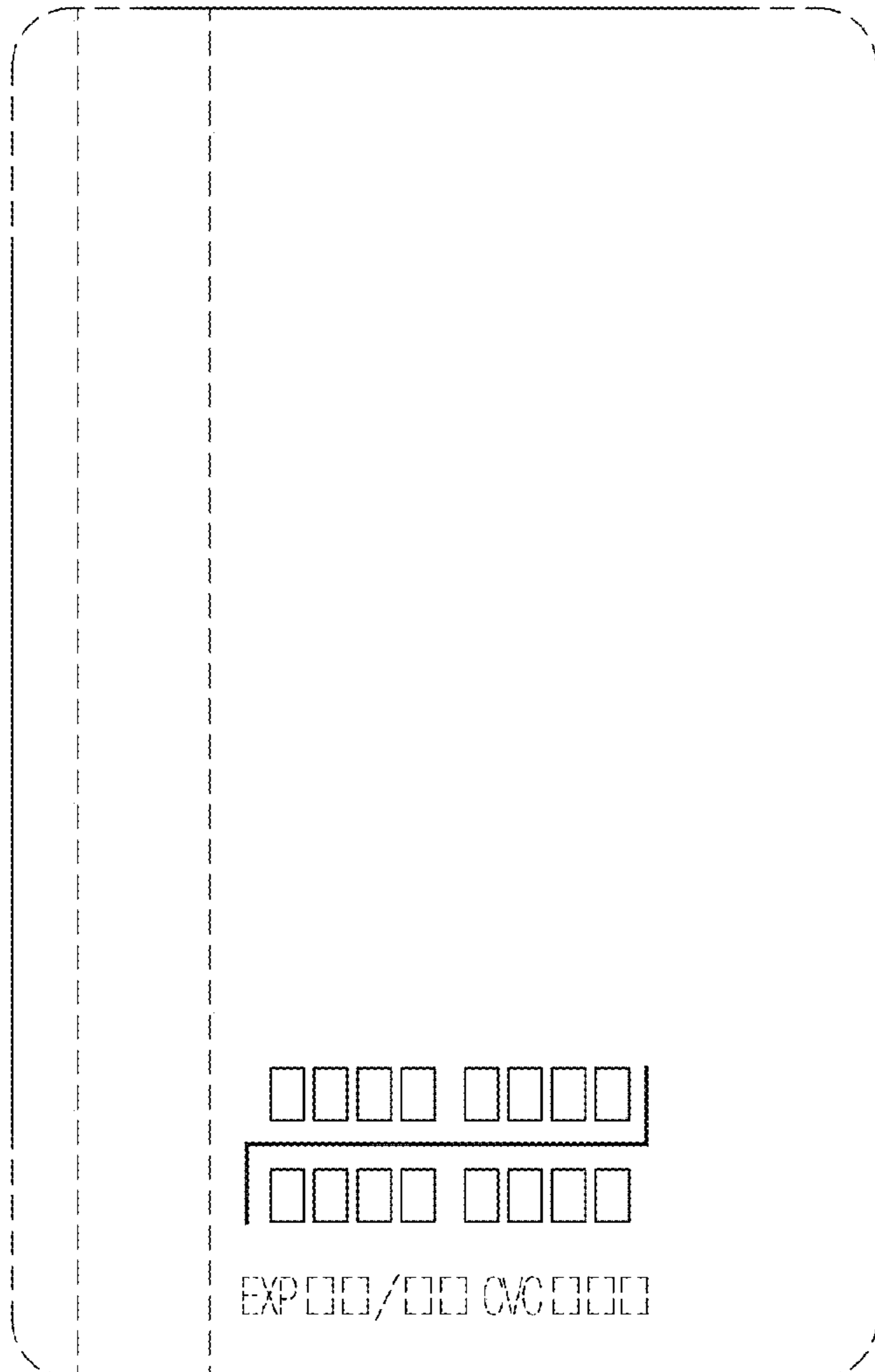


Fig. 6.

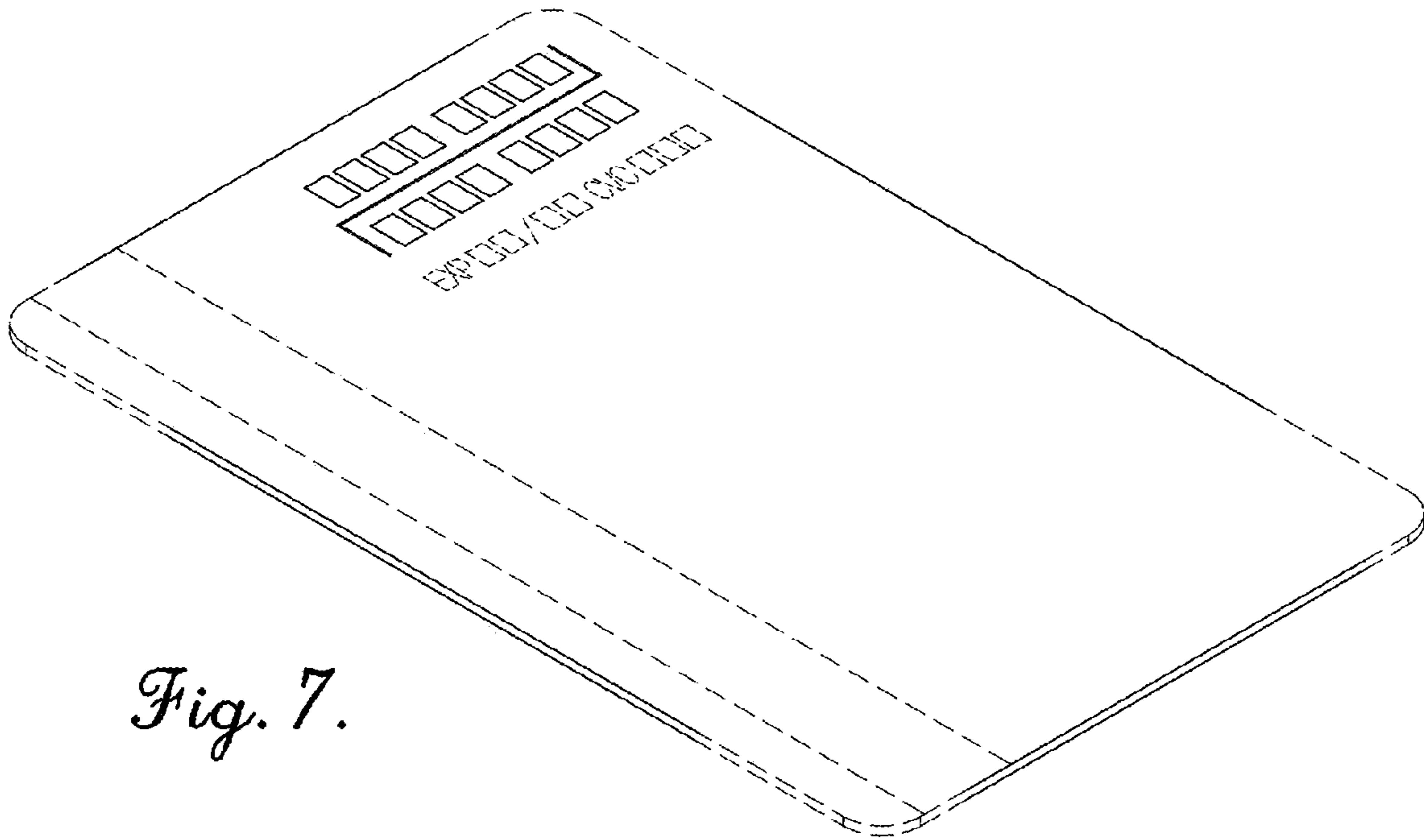


Fig. 7.

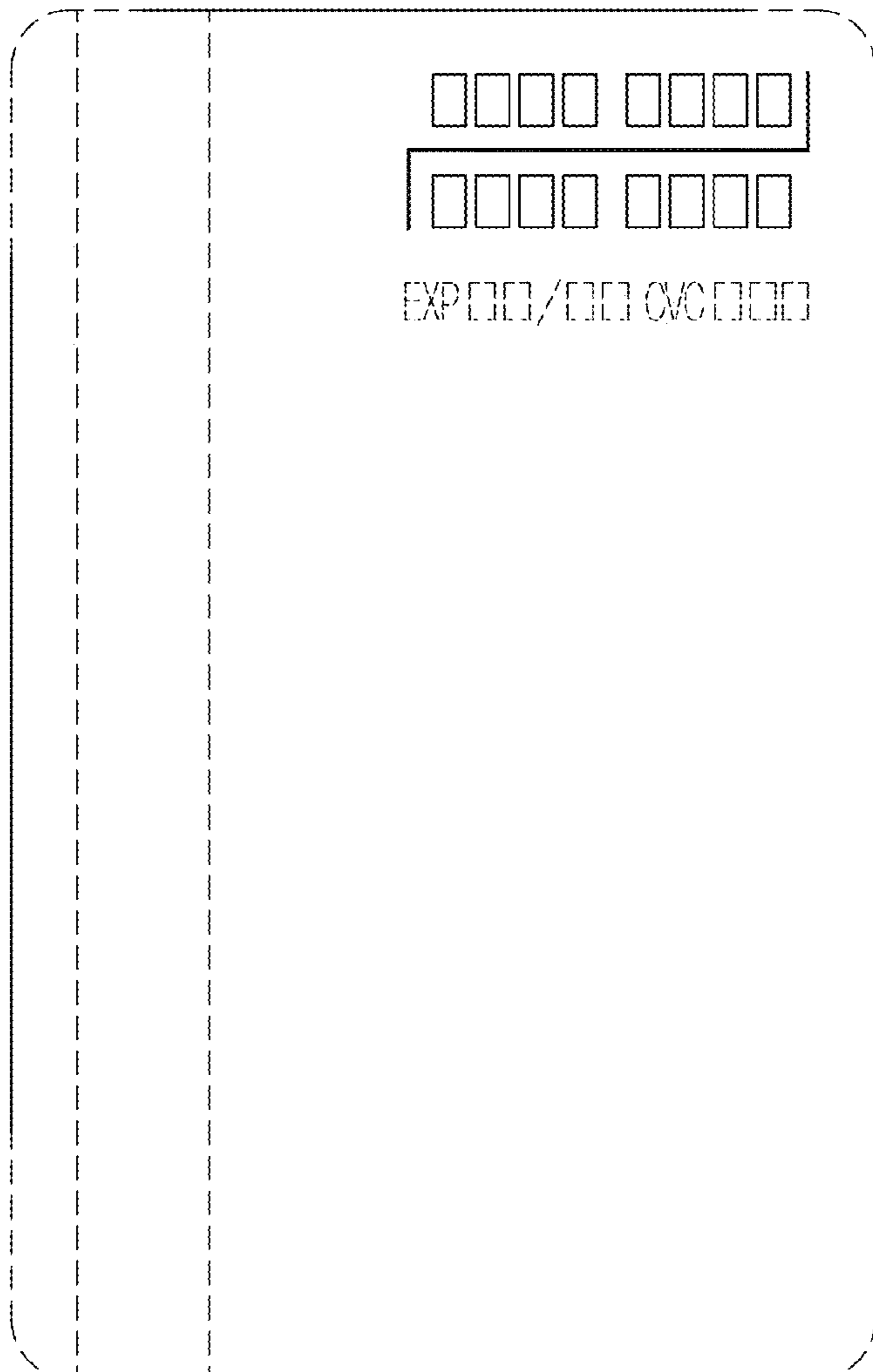


Fig. 8.

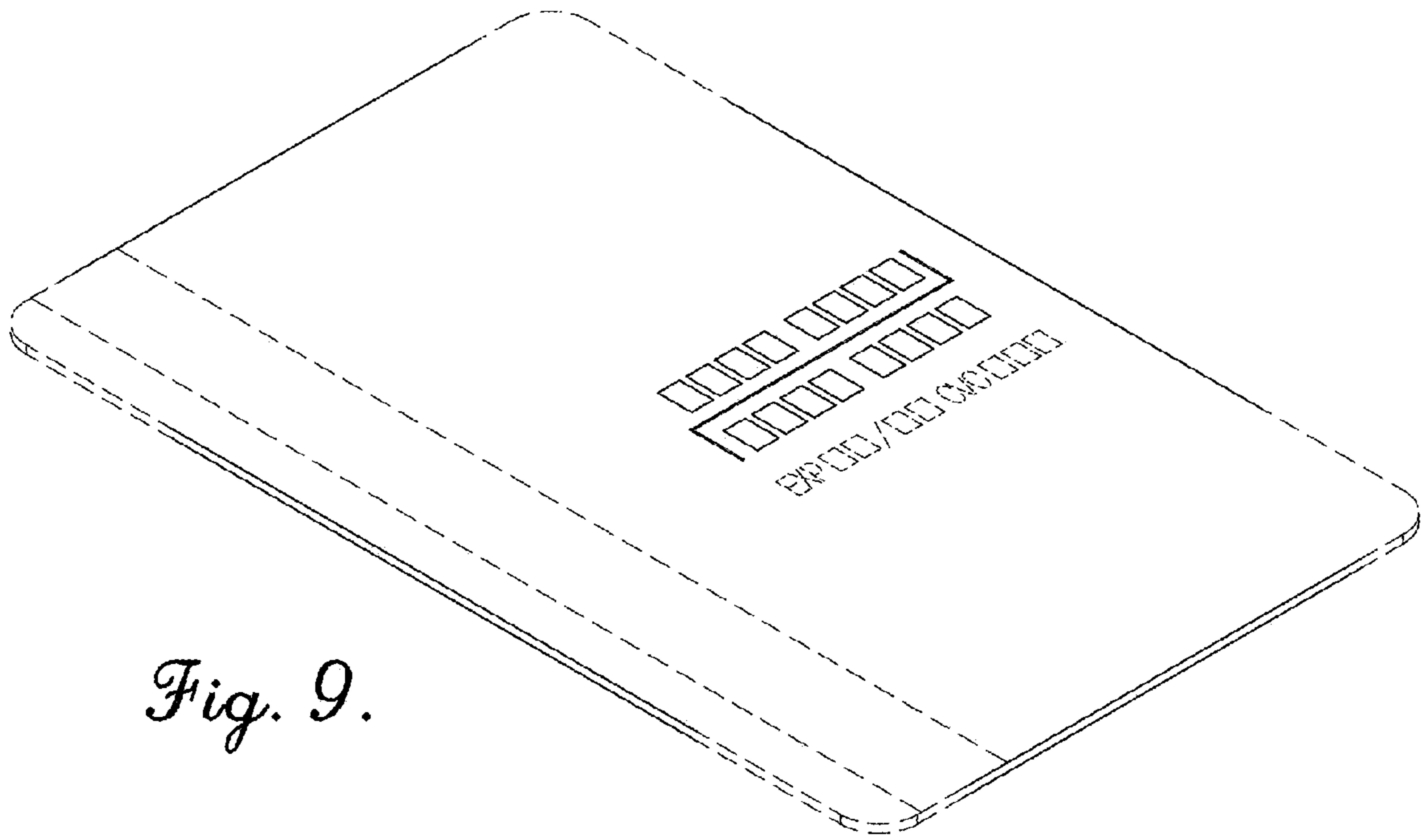


Fig. 9.

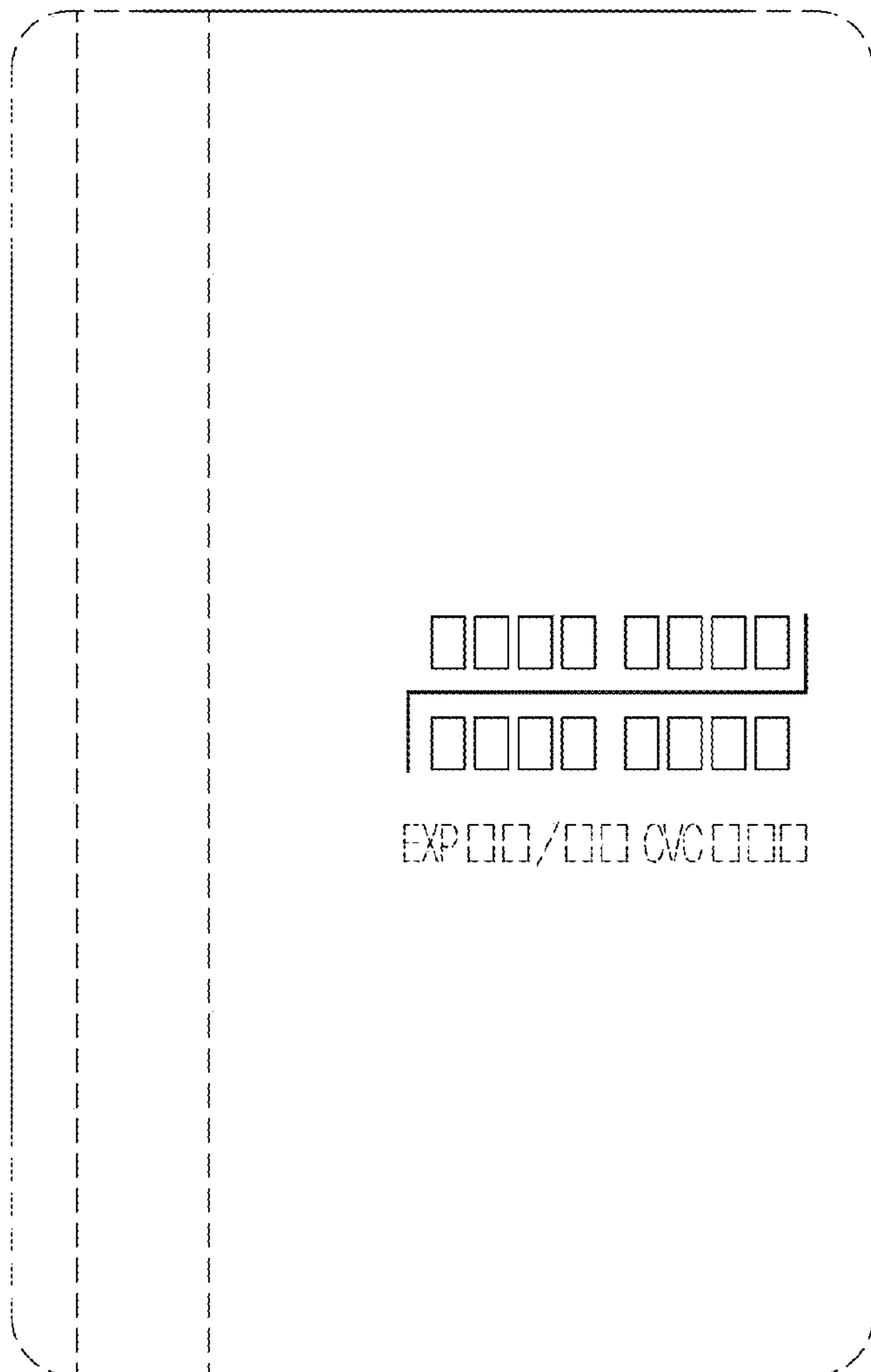


Fig. 10.

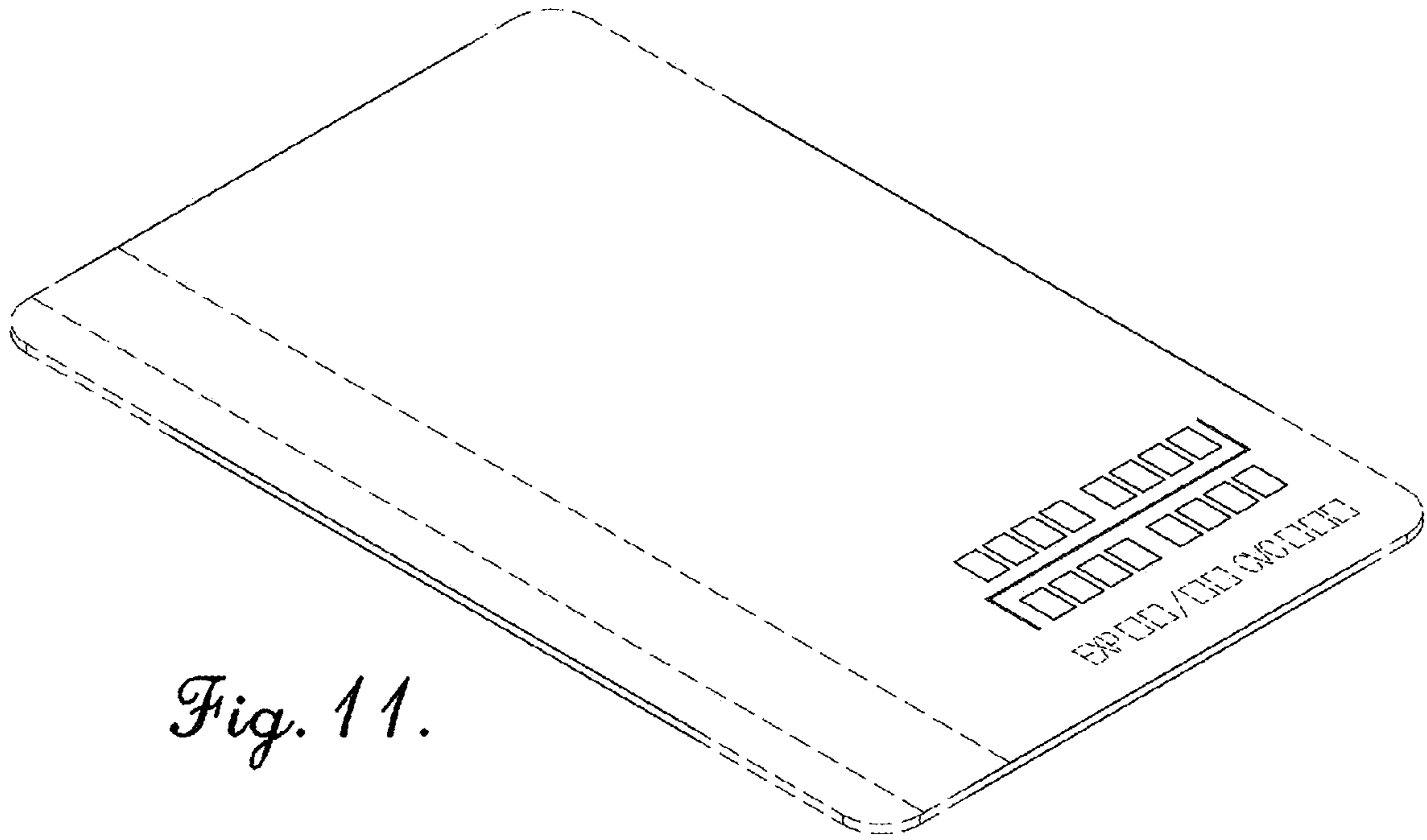


Fig. 11.

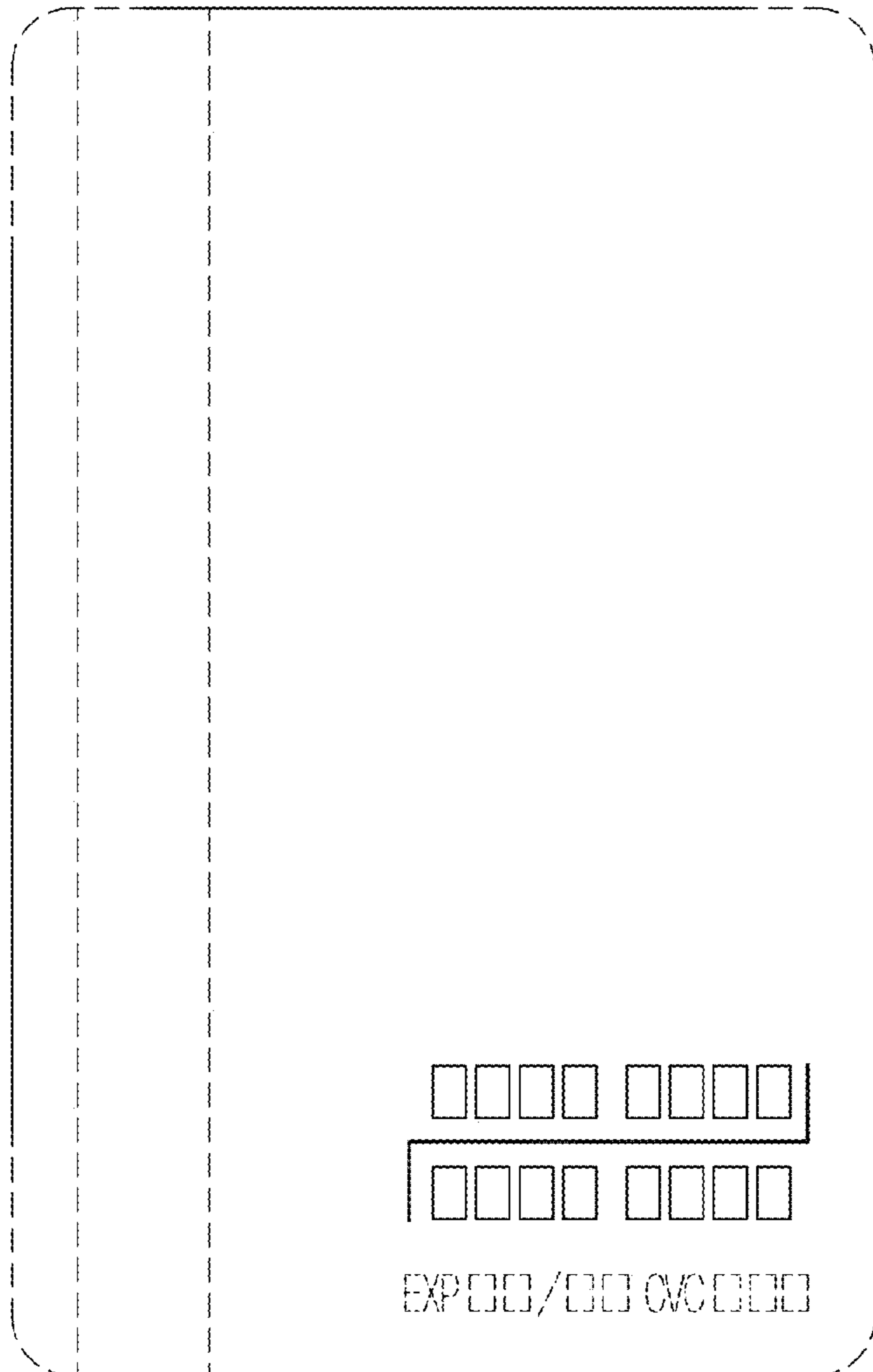


Fig. 12.

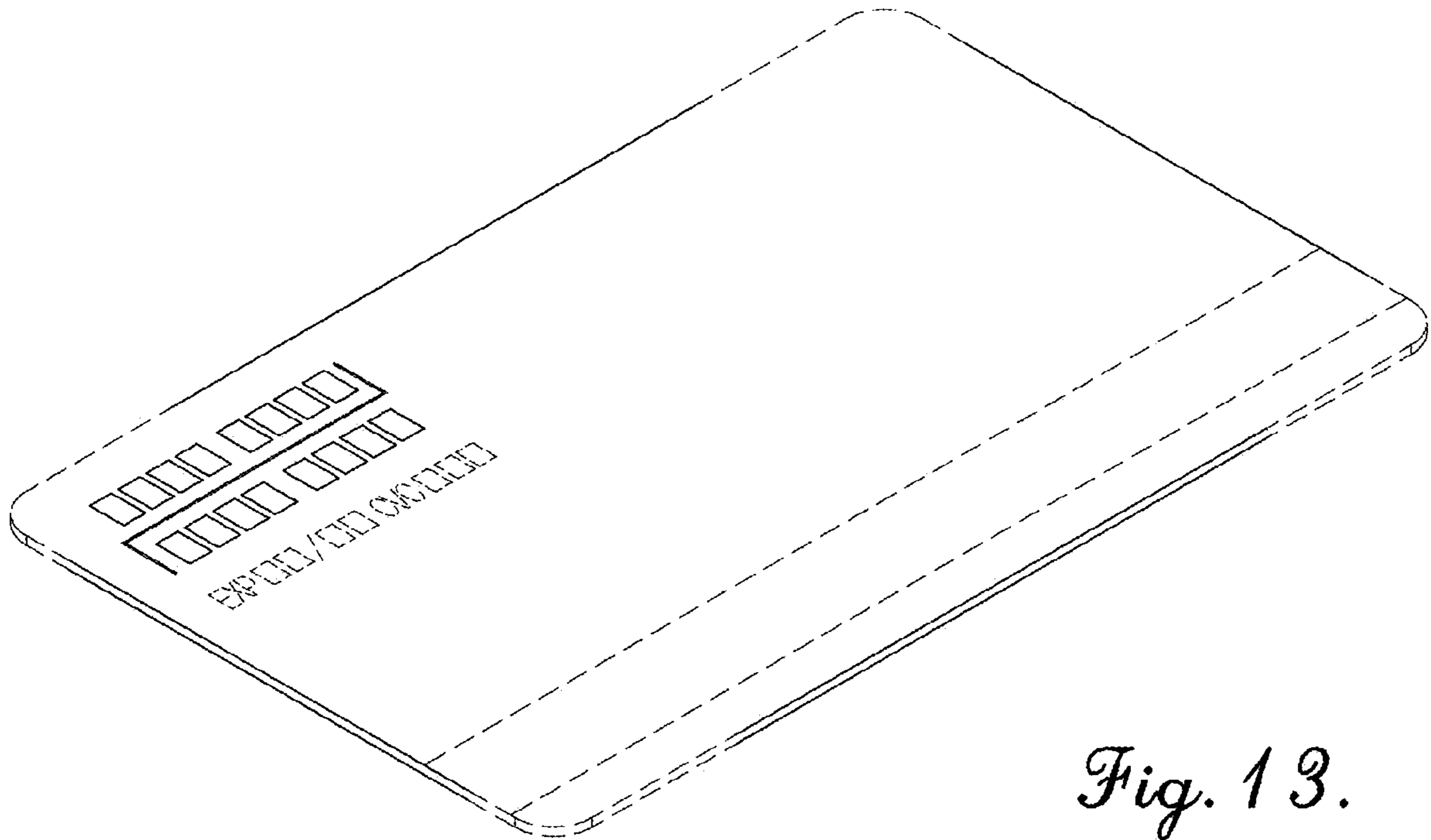


Fig. 13.

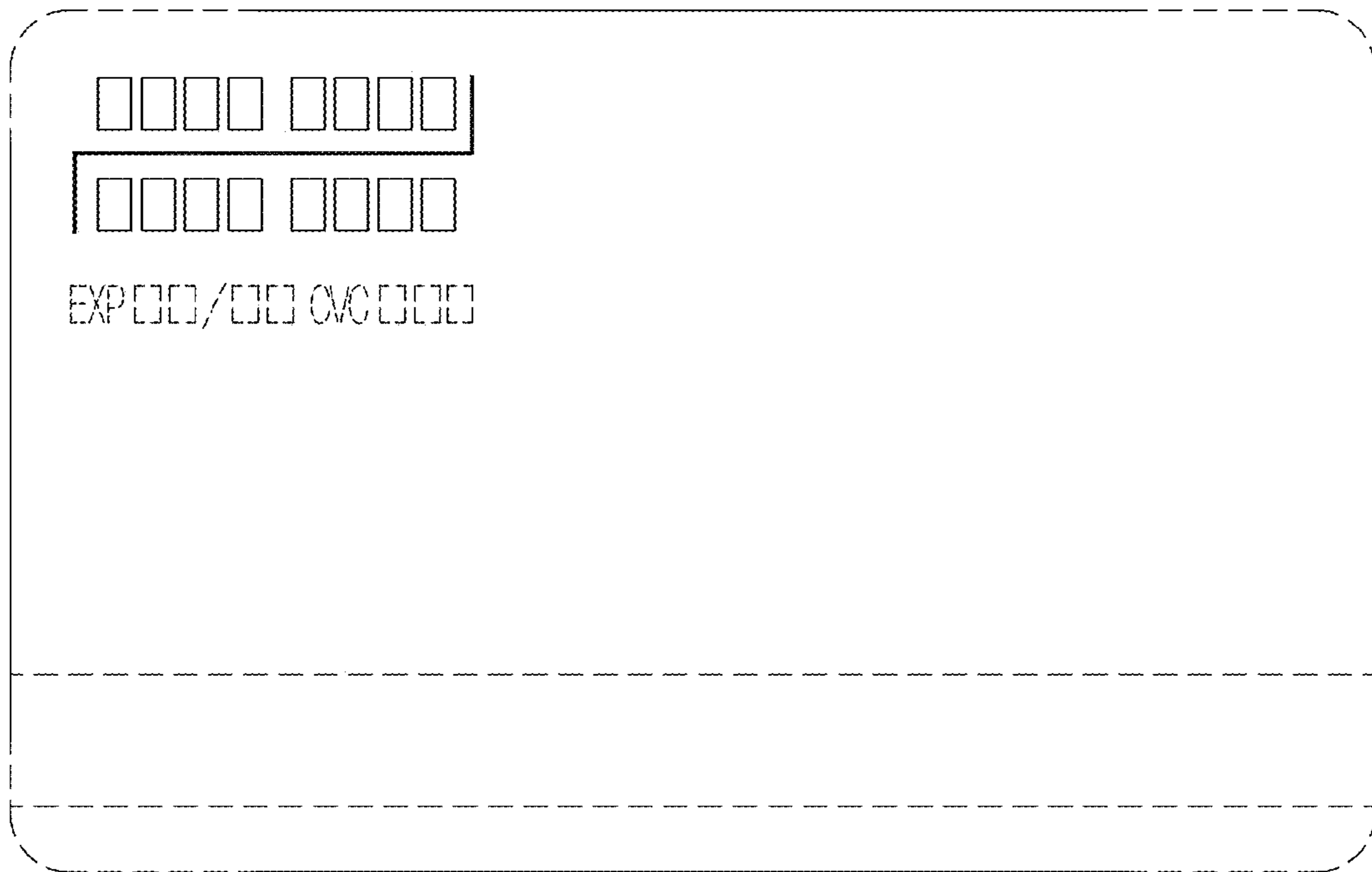


Fig. 14.

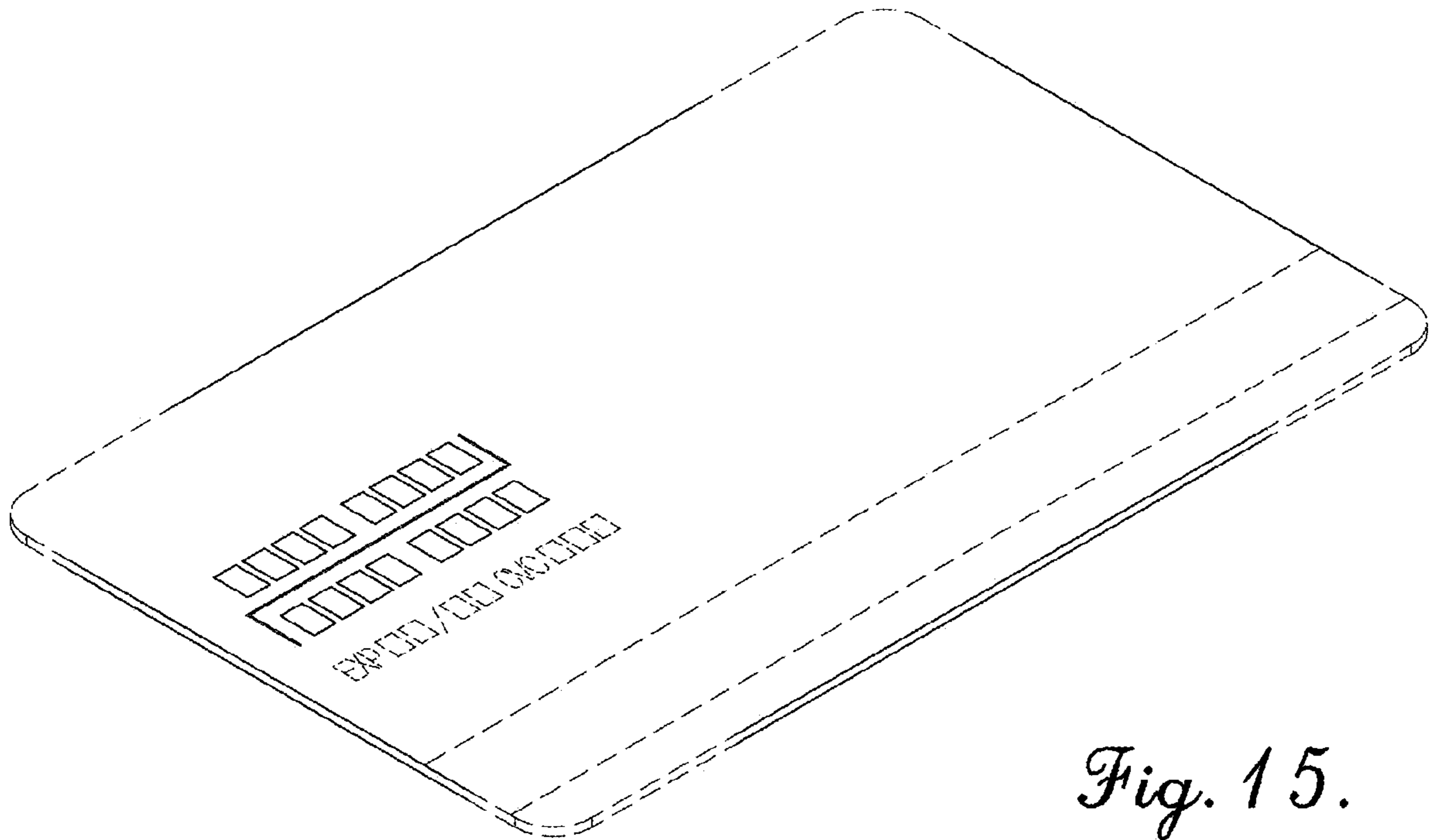


Fig. 15.

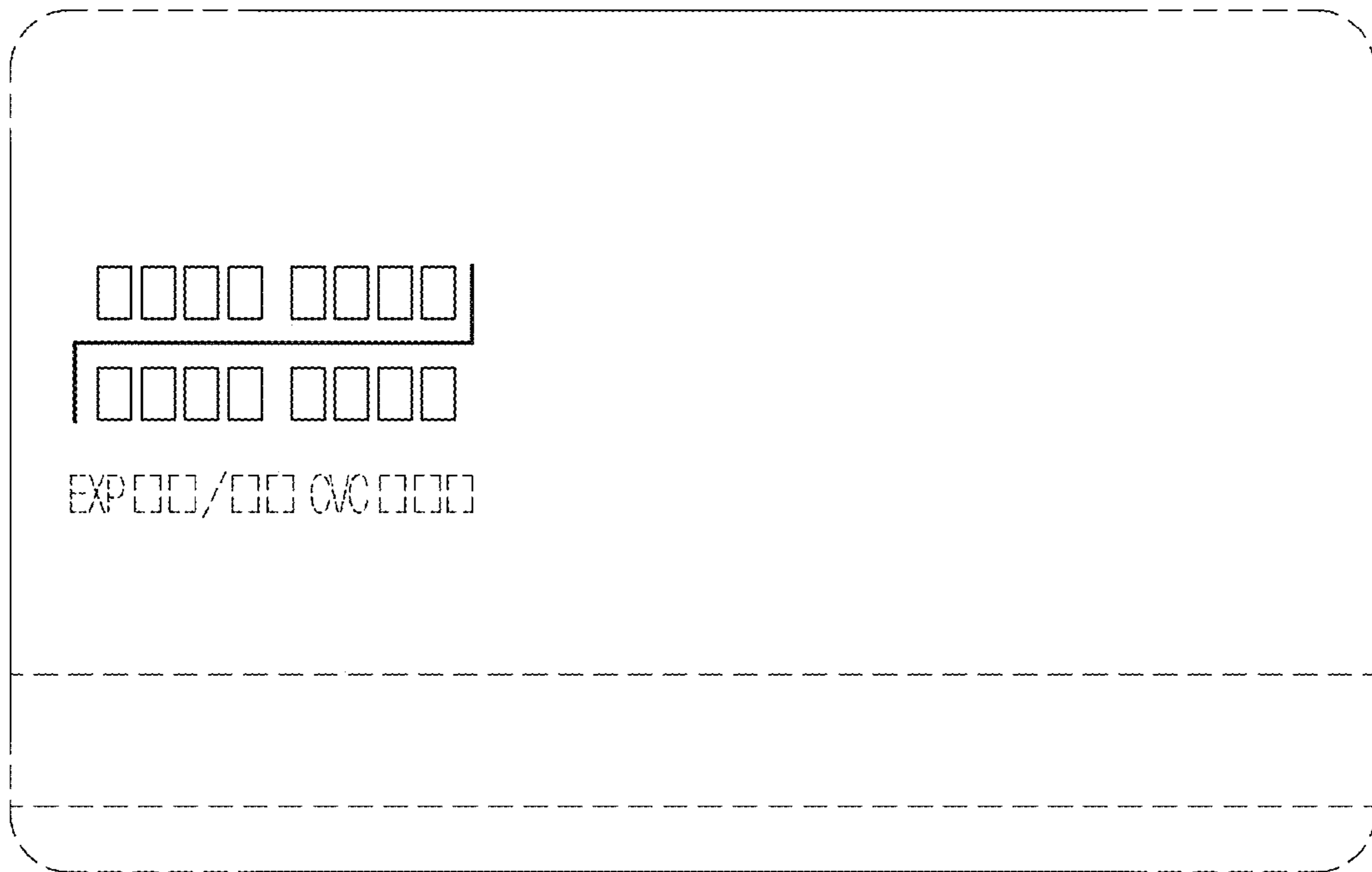


Fig. 16.

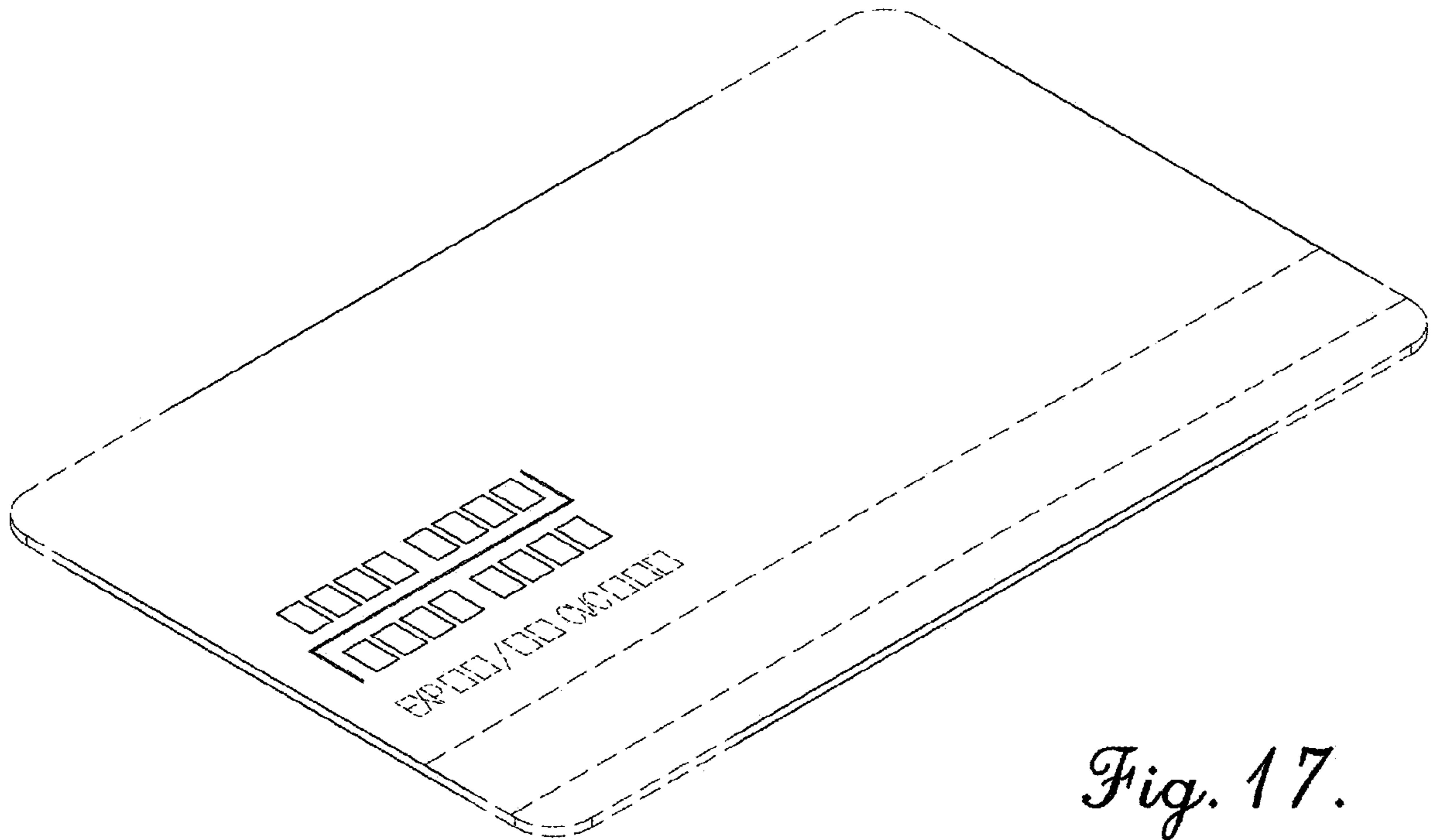


Fig. 17.

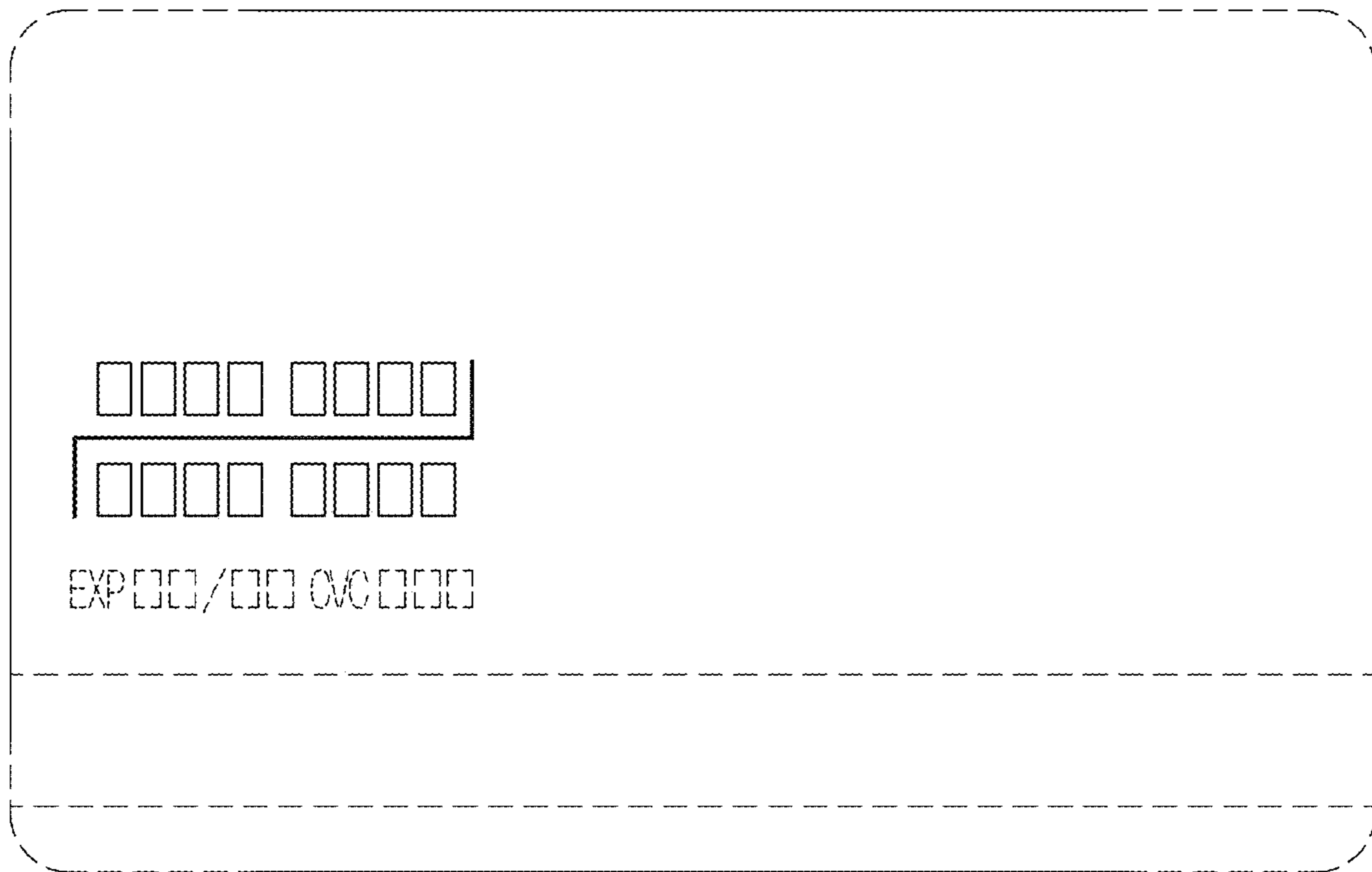


Fig. 18.



Fig. 19.

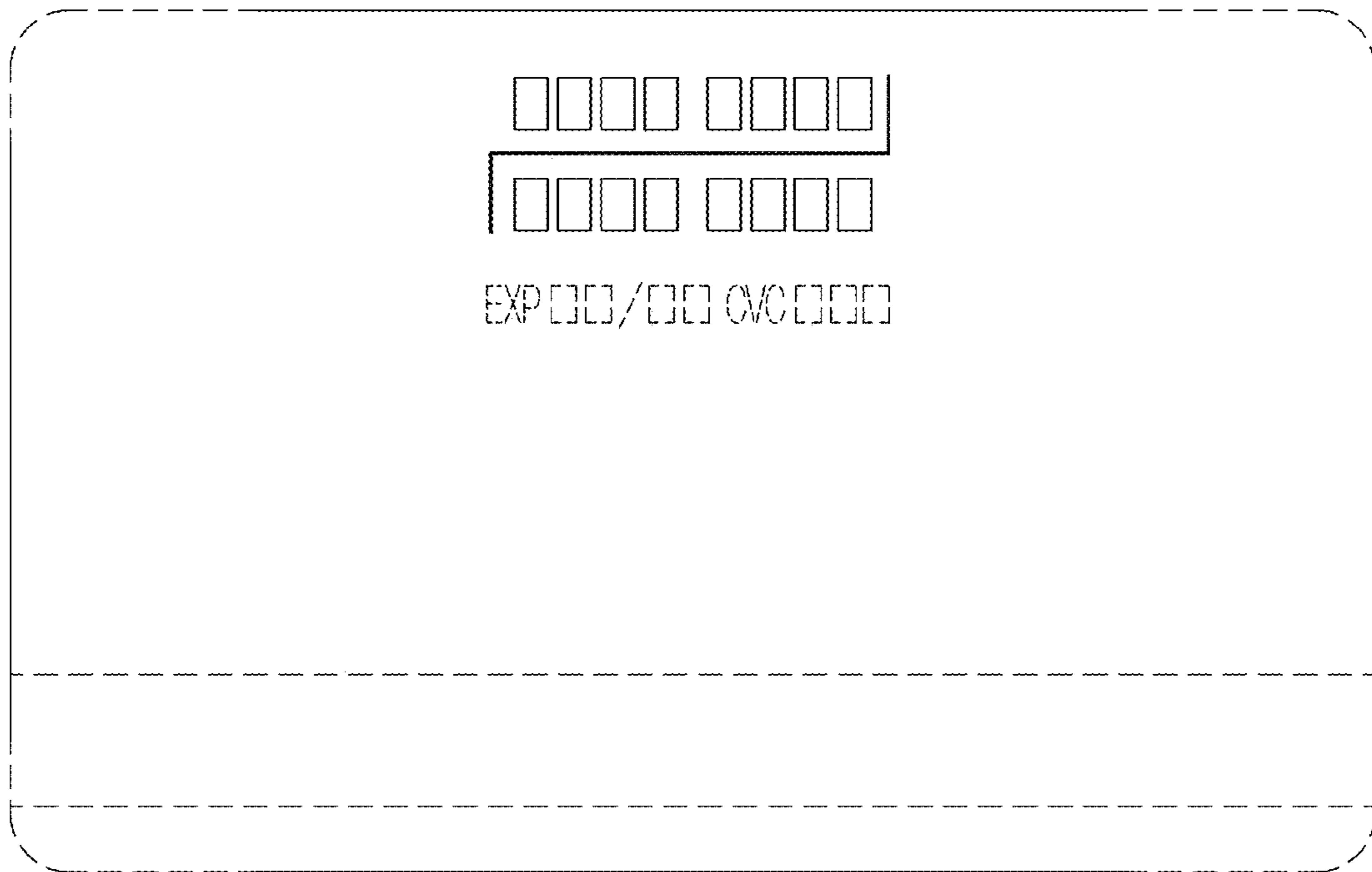


Fig. 20.

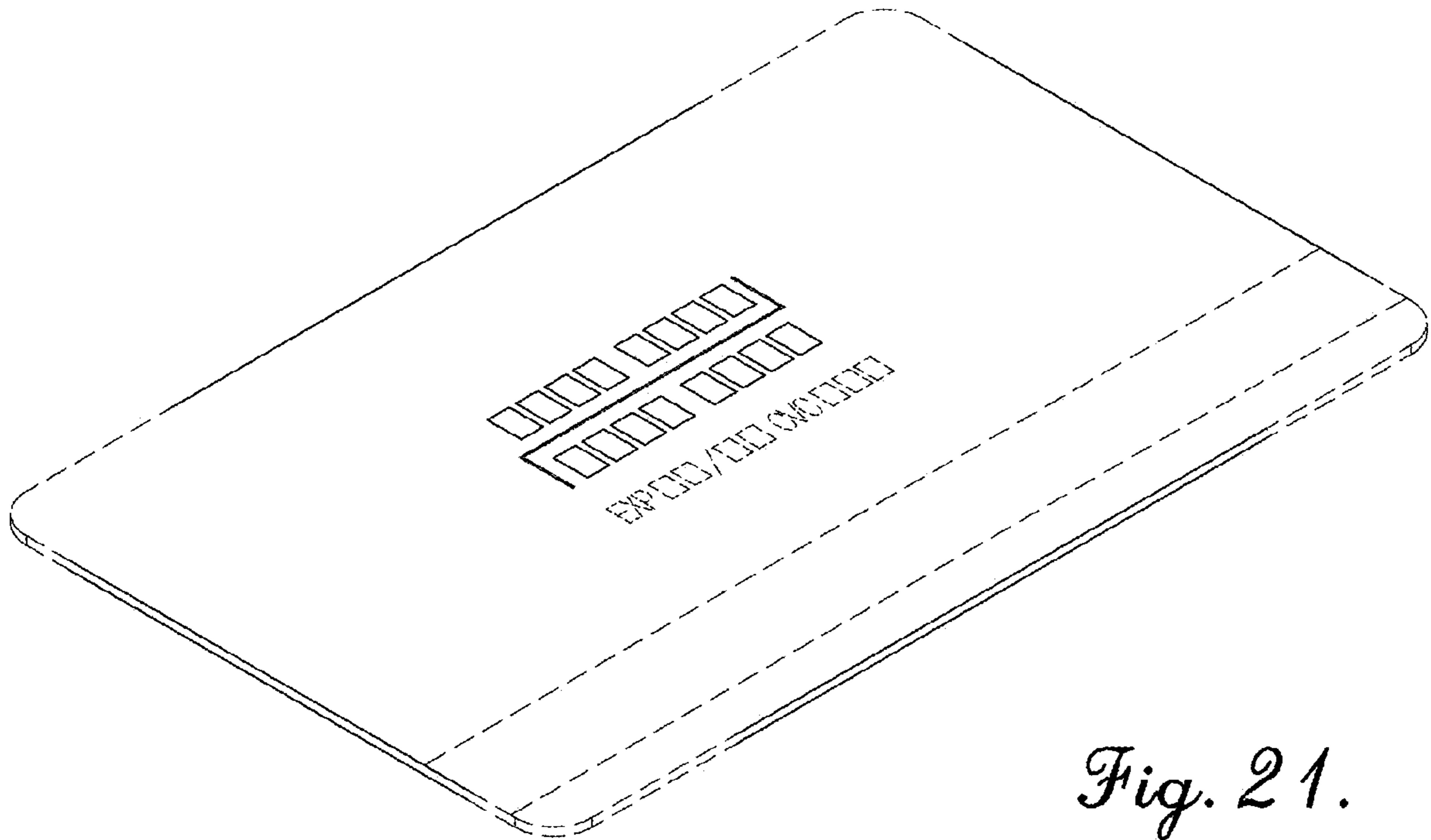


Fig. 21.

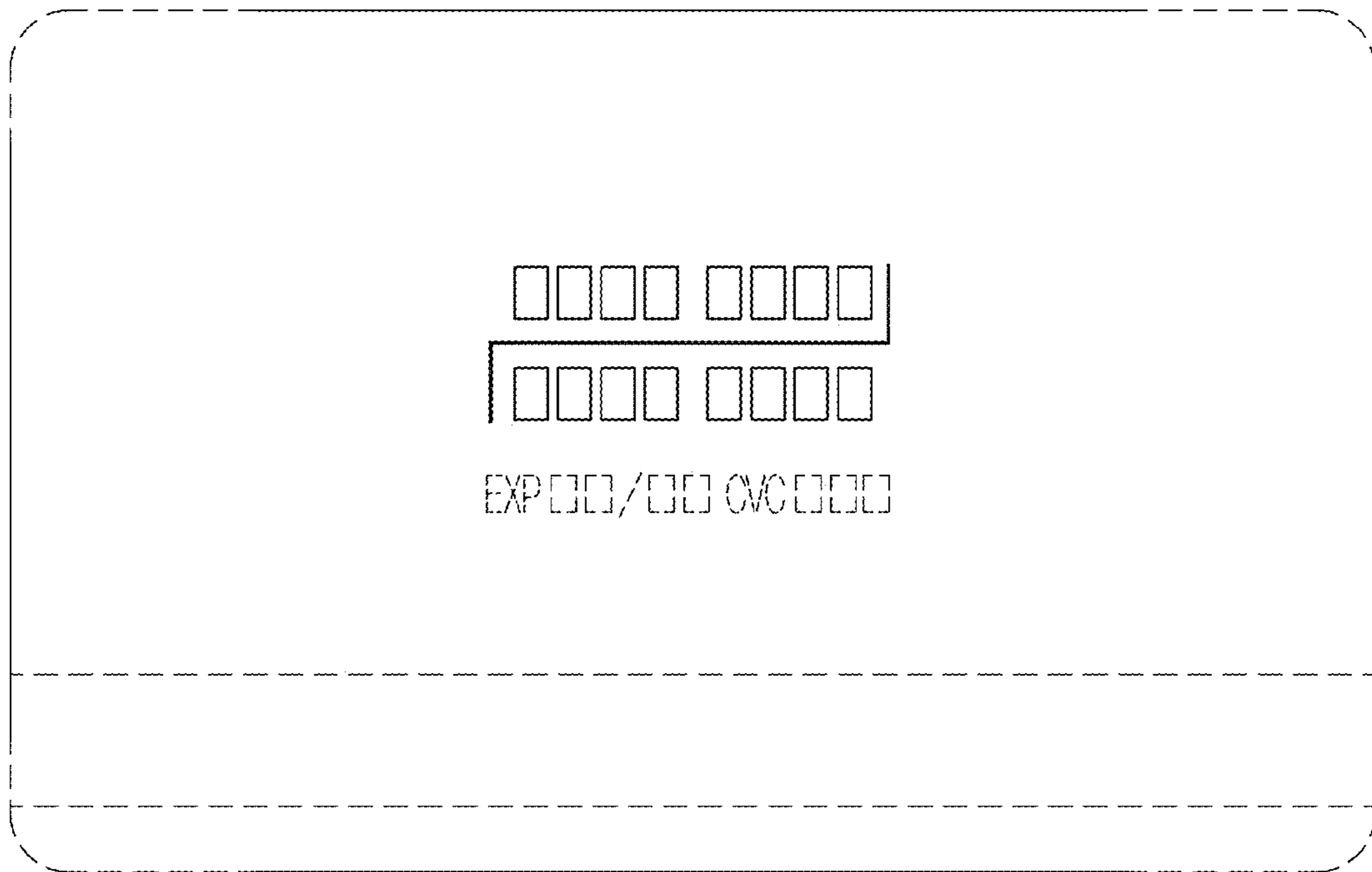


Fig. 22.

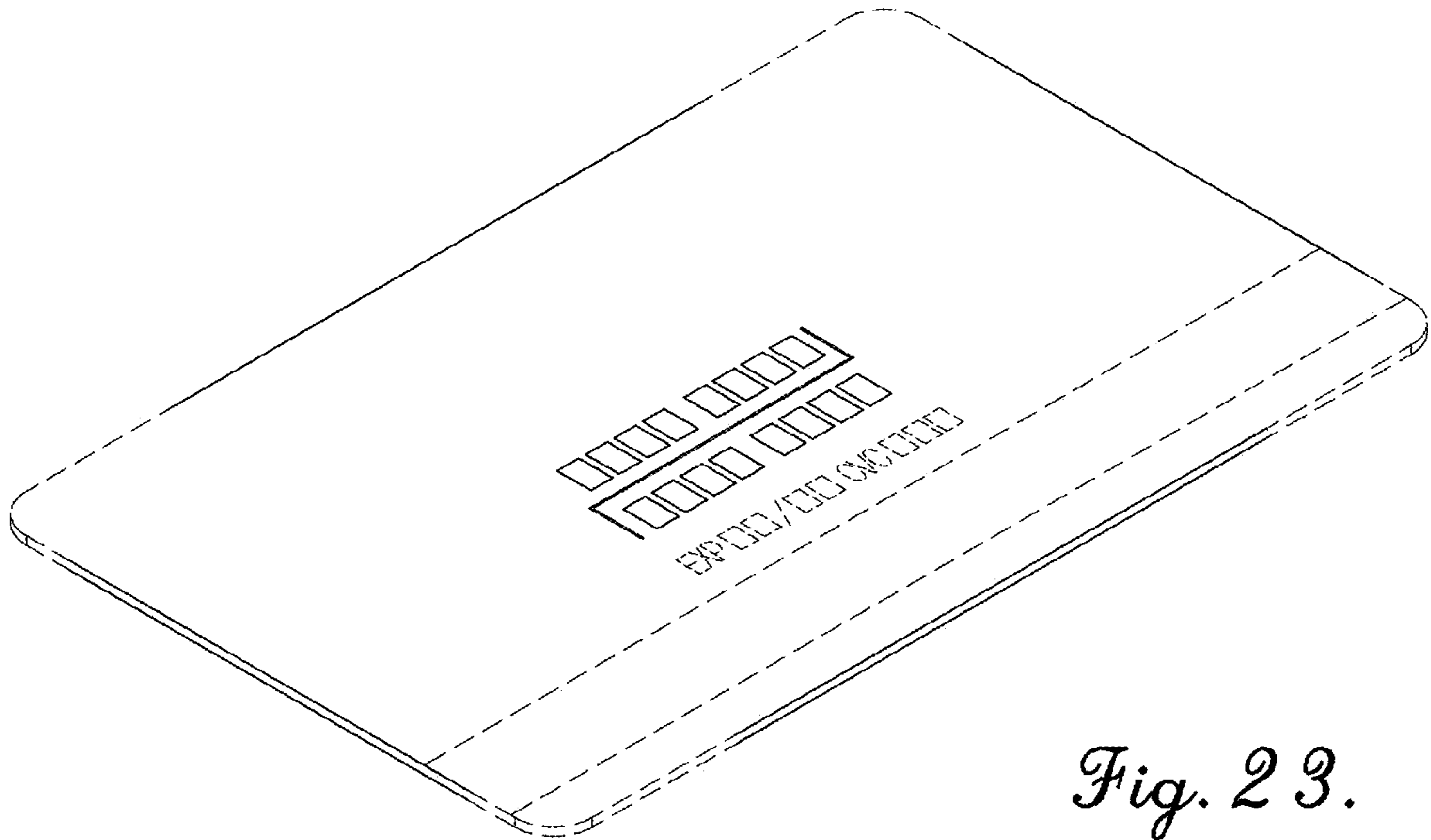


Fig. 23.

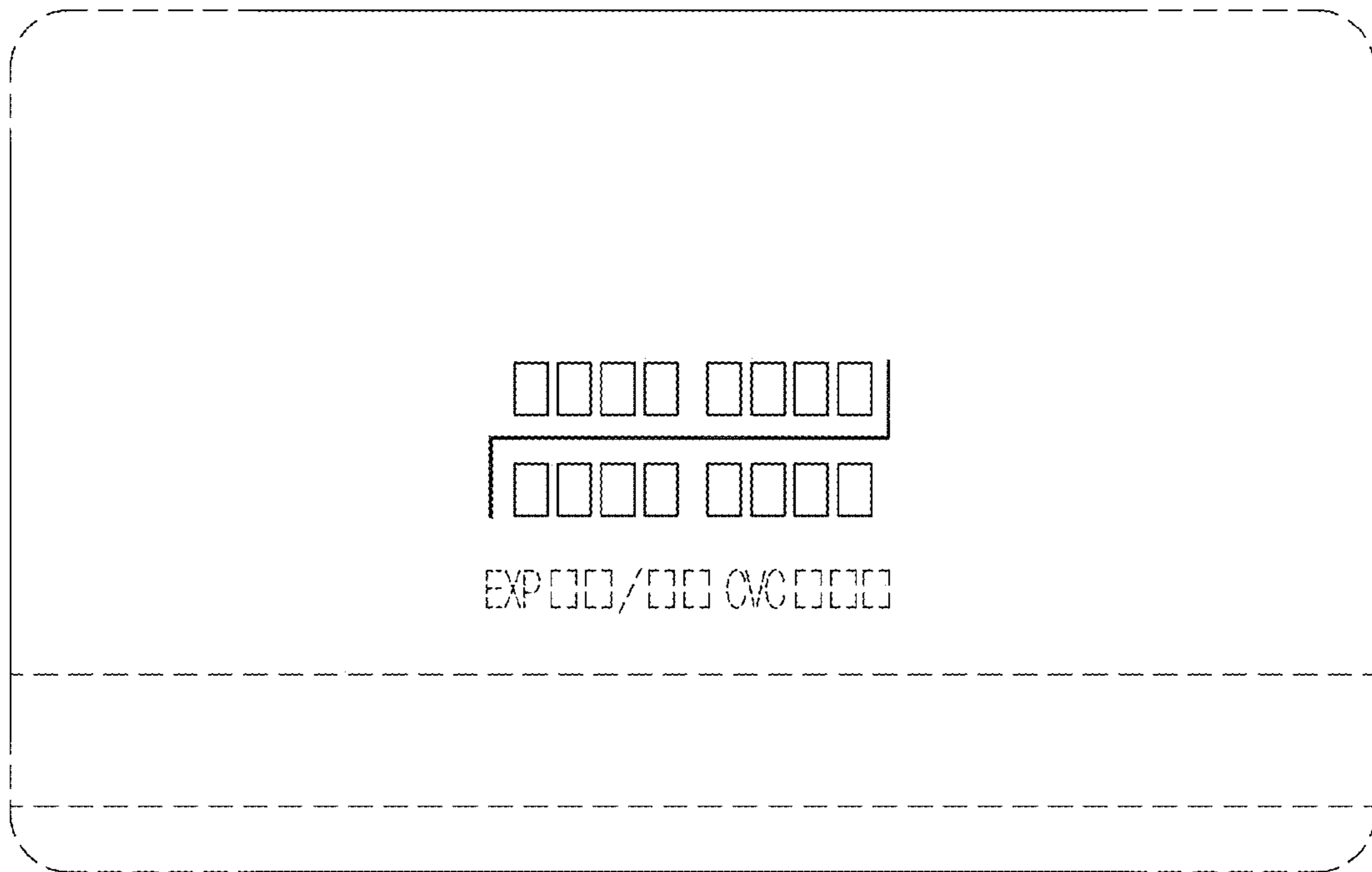


Fig. 24.

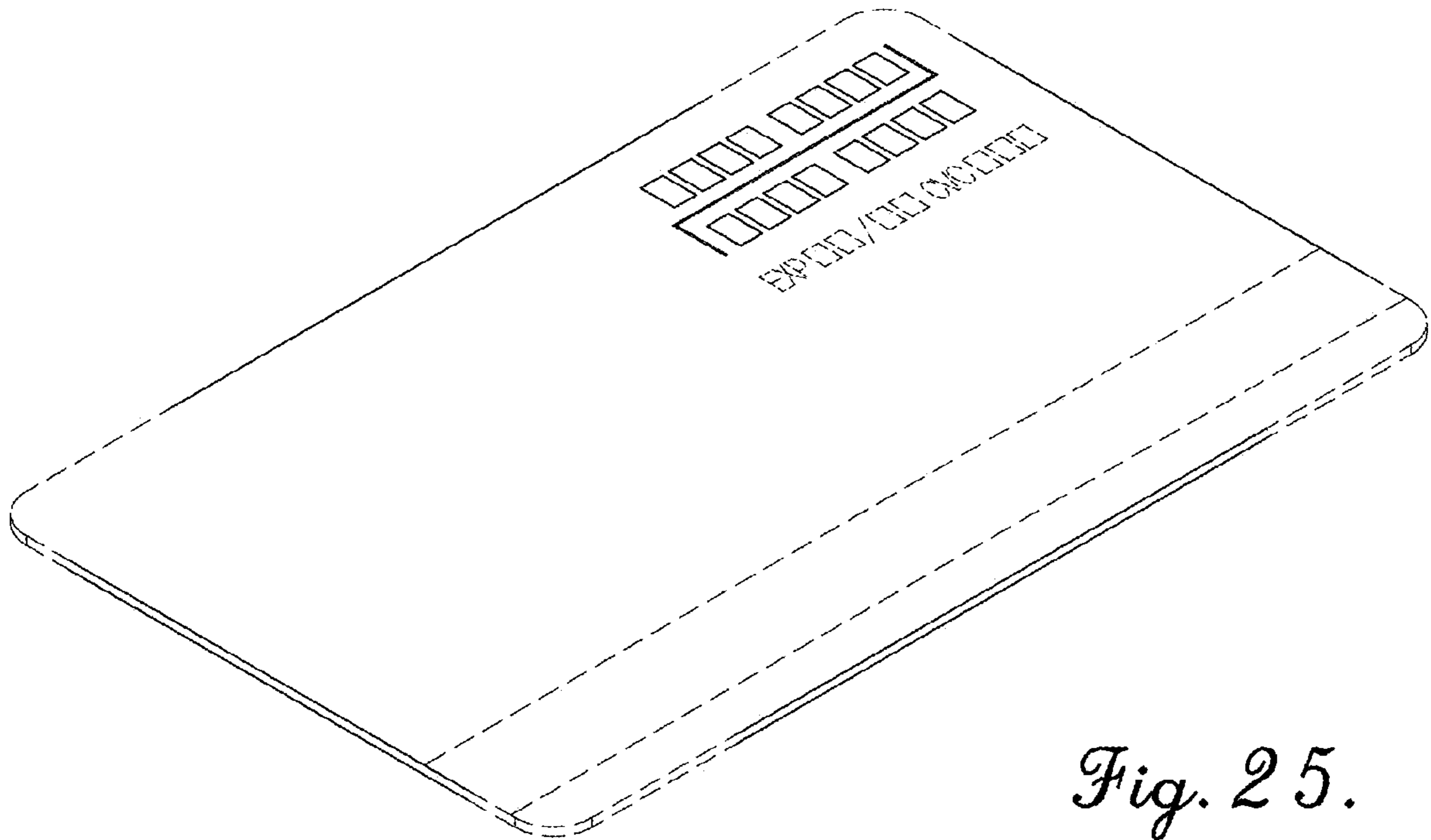


Fig. 25.

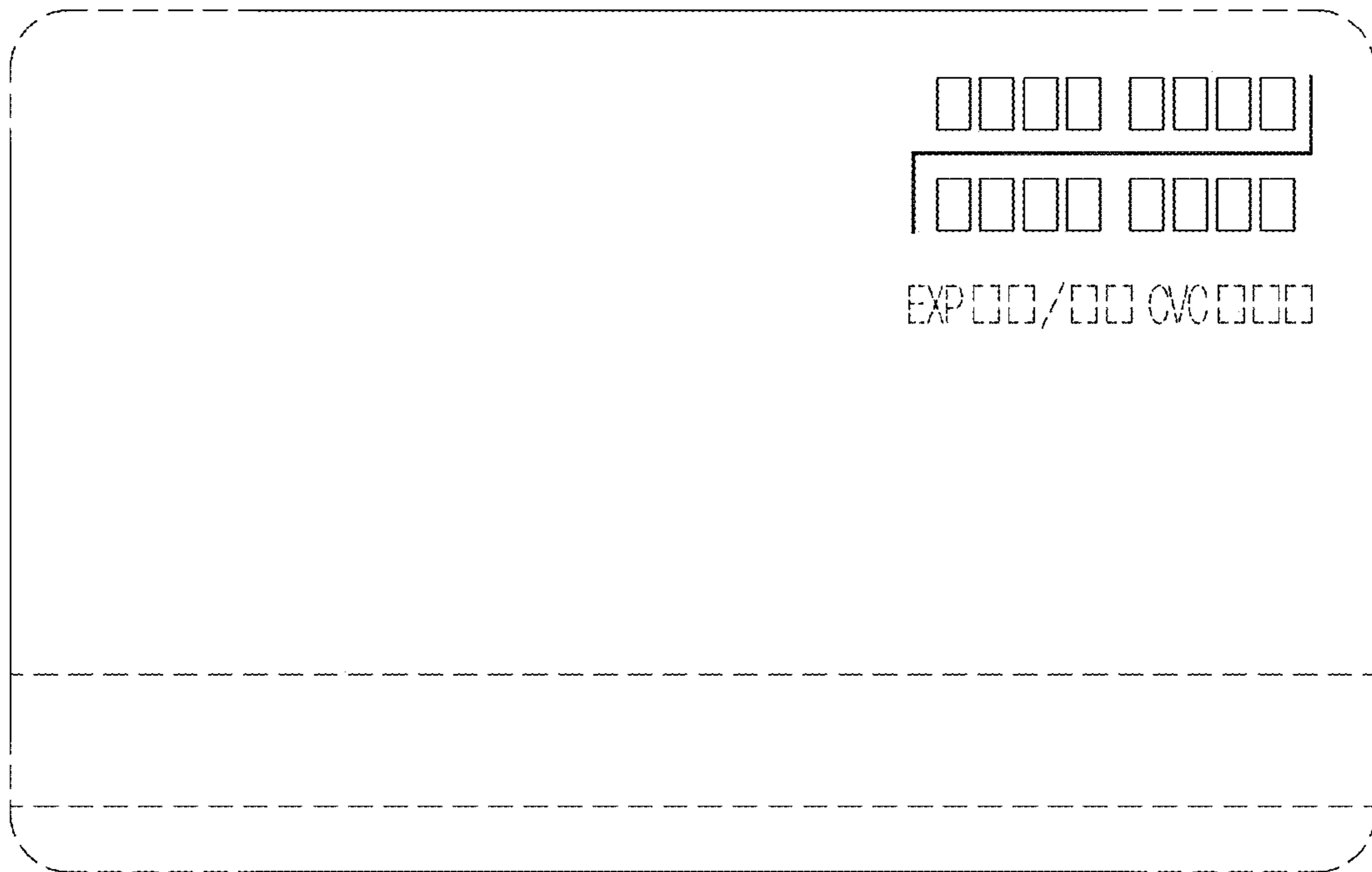
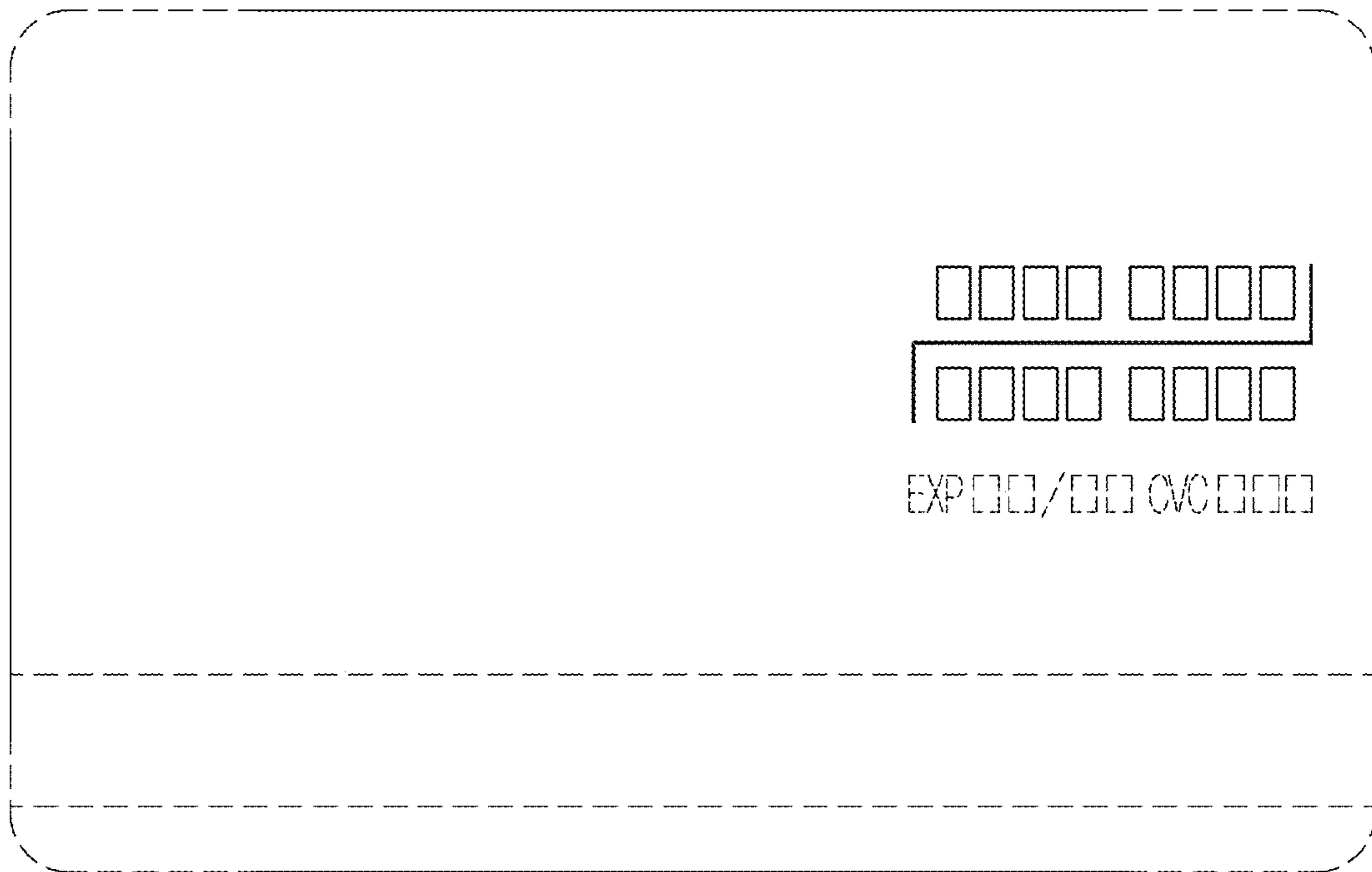
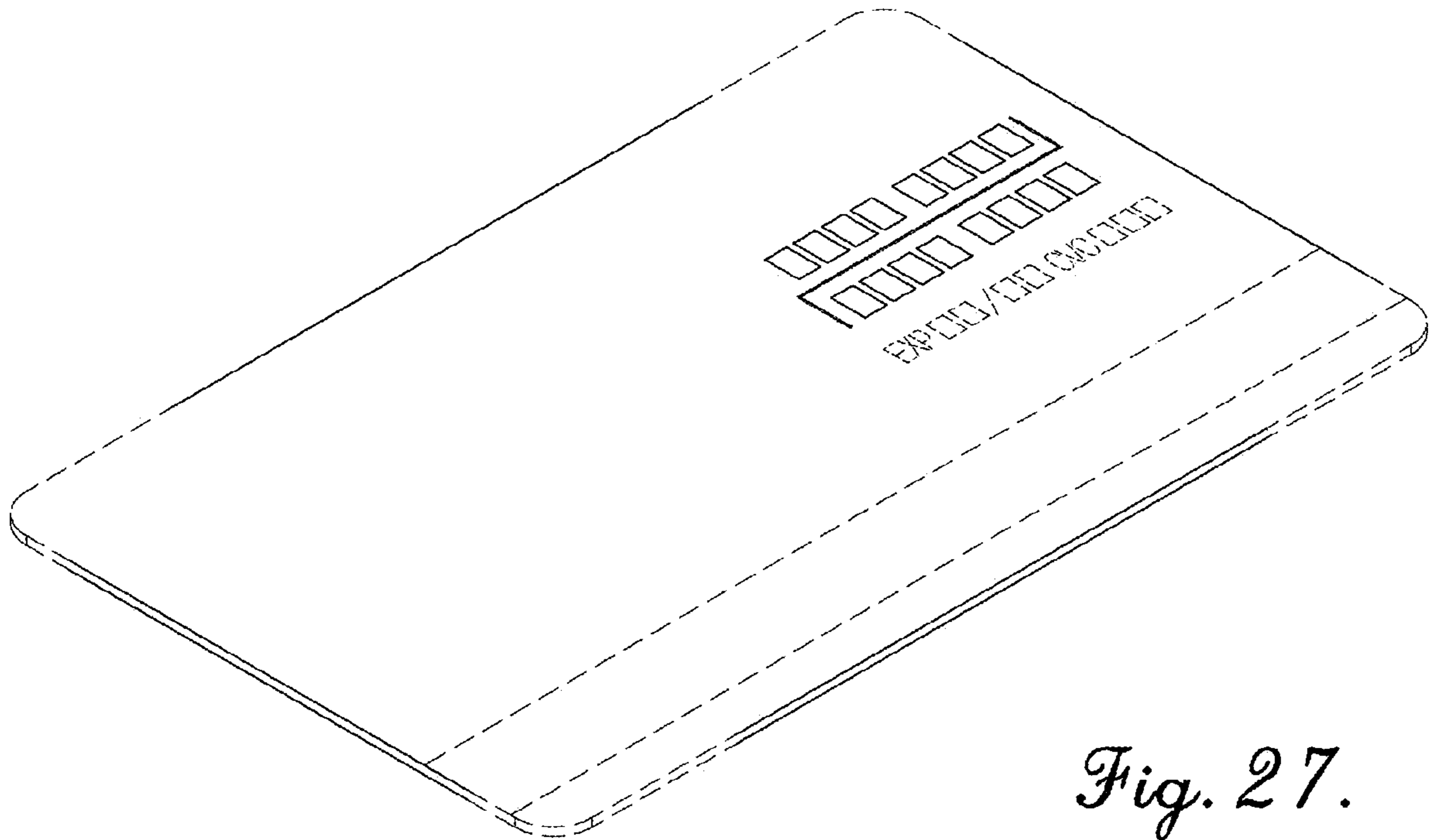


Fig. 26.



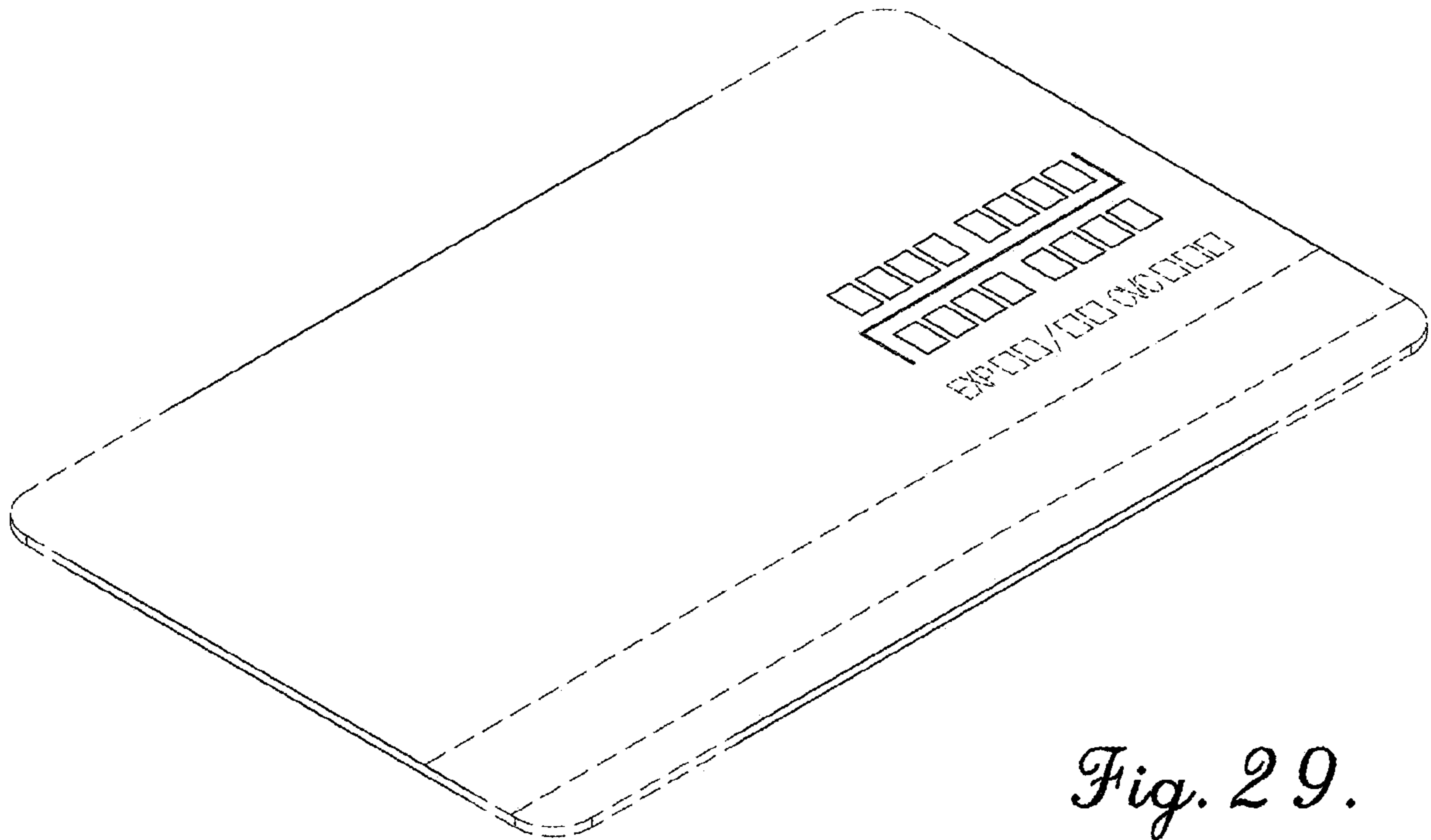


Fig. 29.

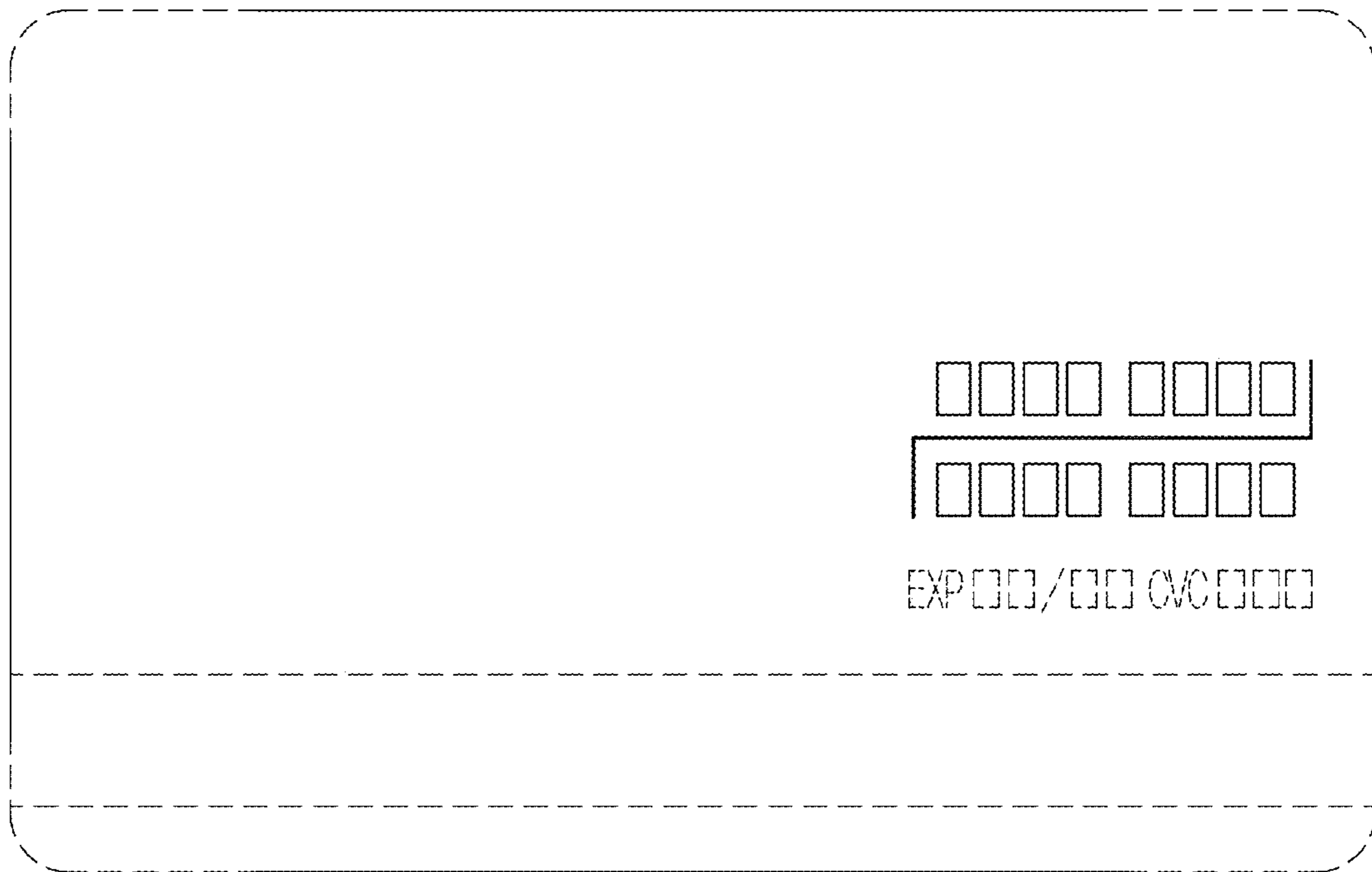


Fig. 30.

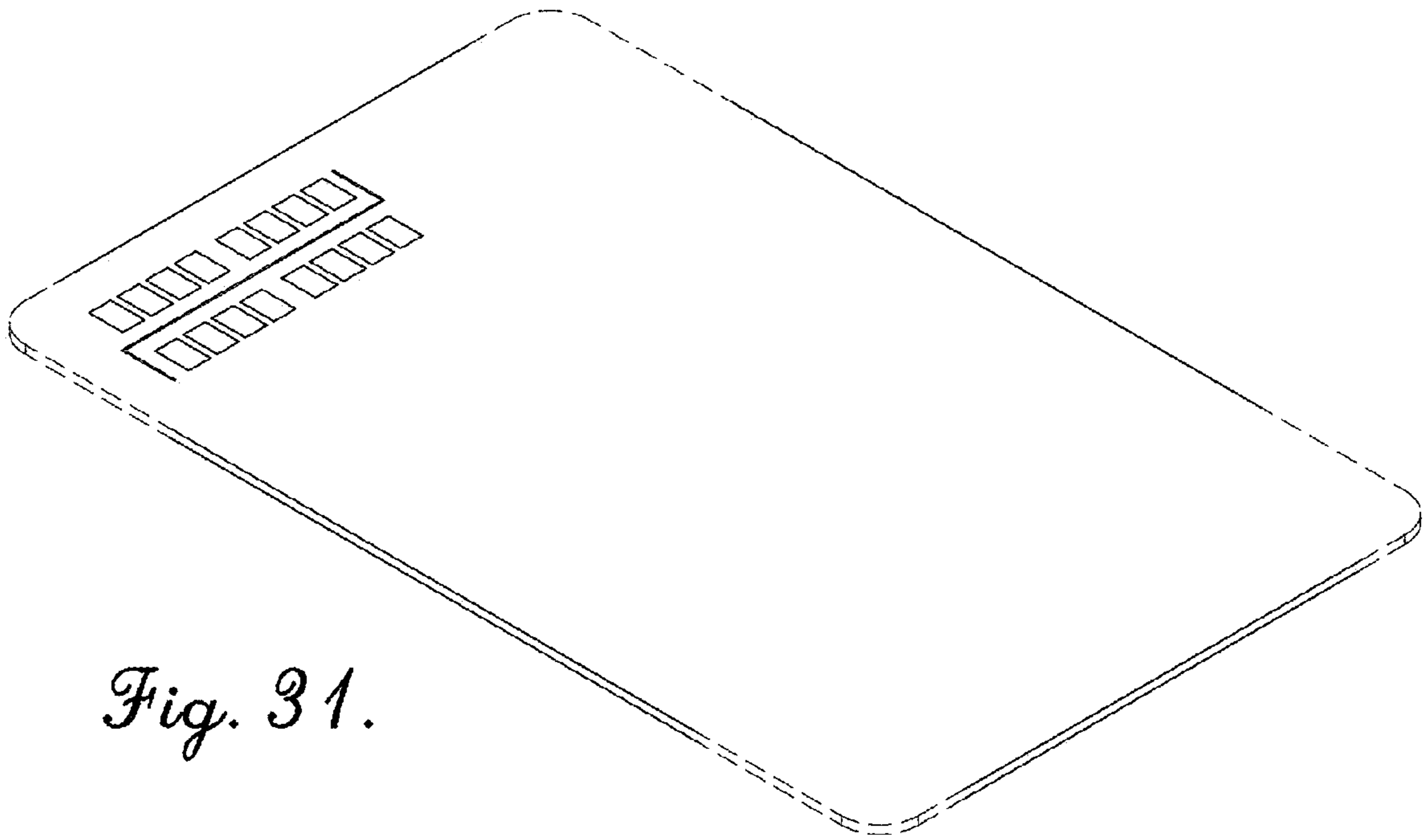


Fig. 31.



Fig. 32.

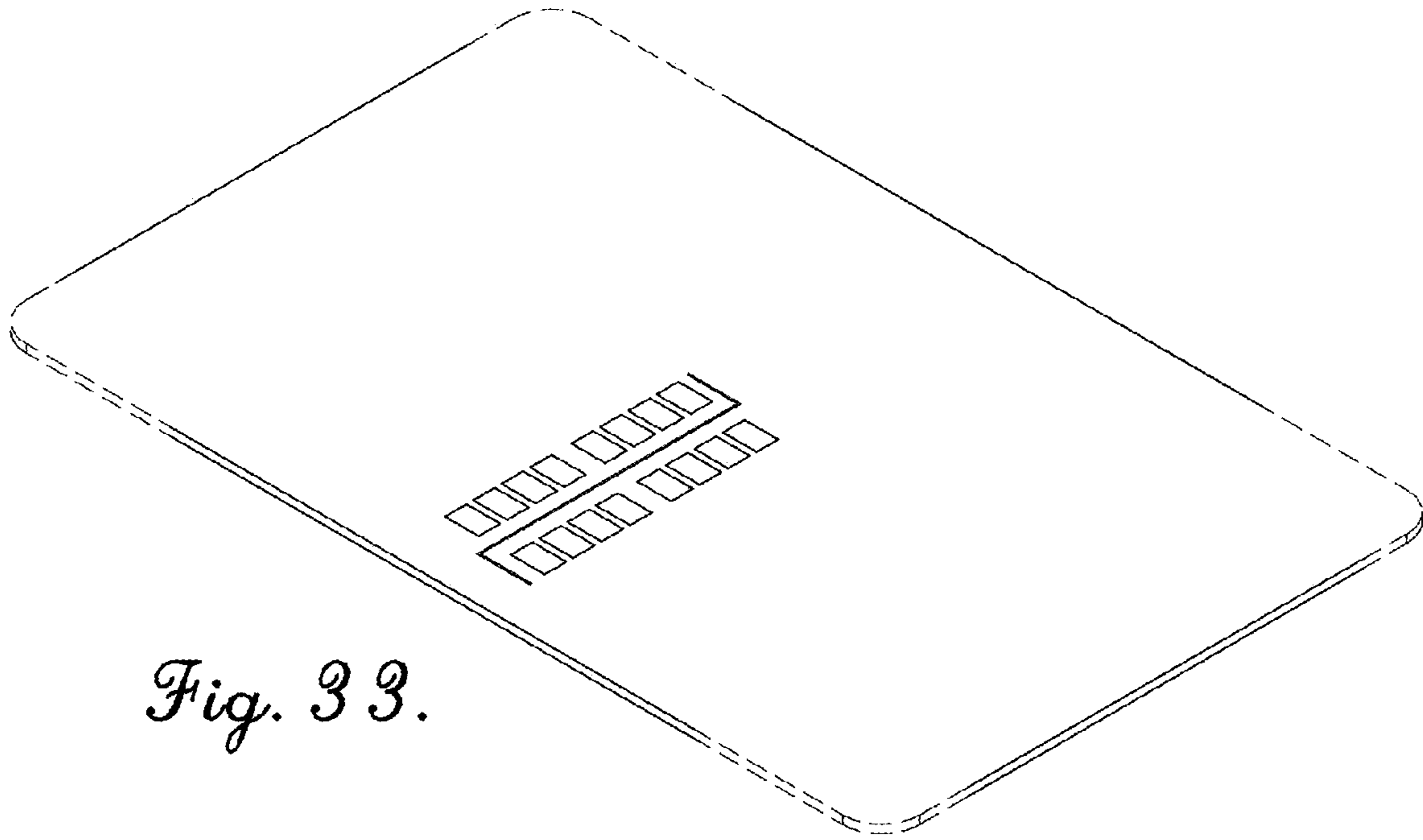


Fig. 33.

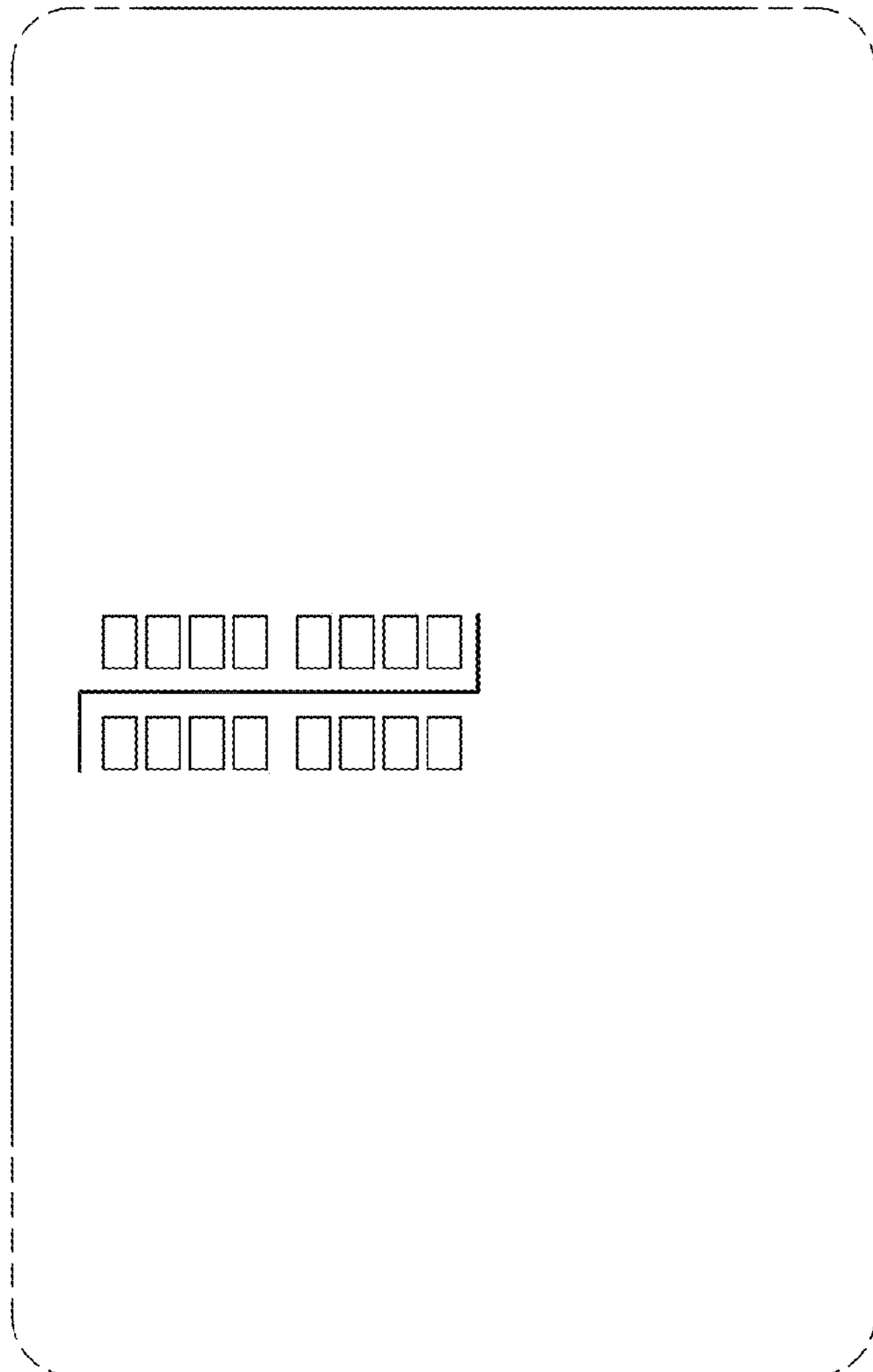


Fig. 34.

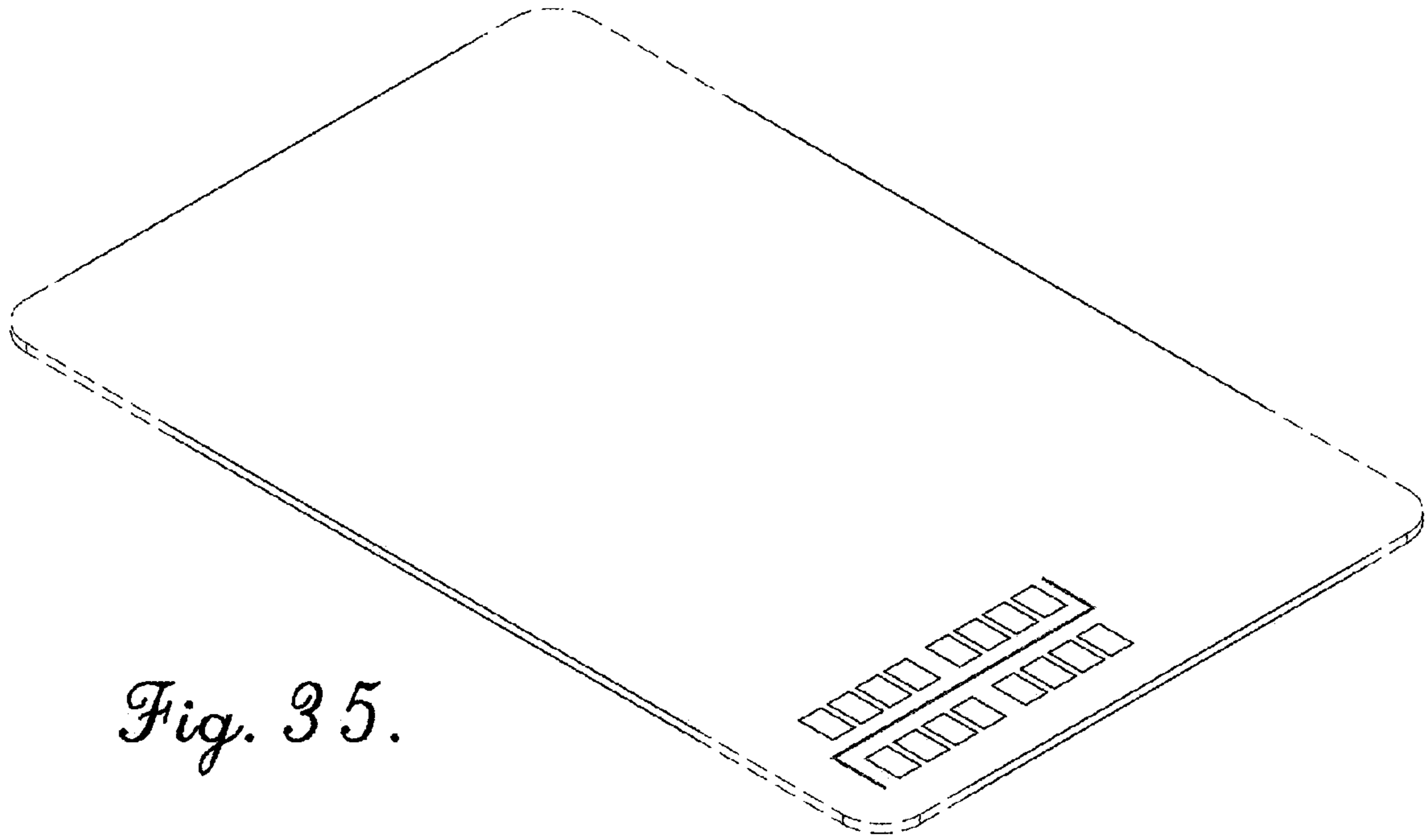


Fig. 35.



Fig. 36.

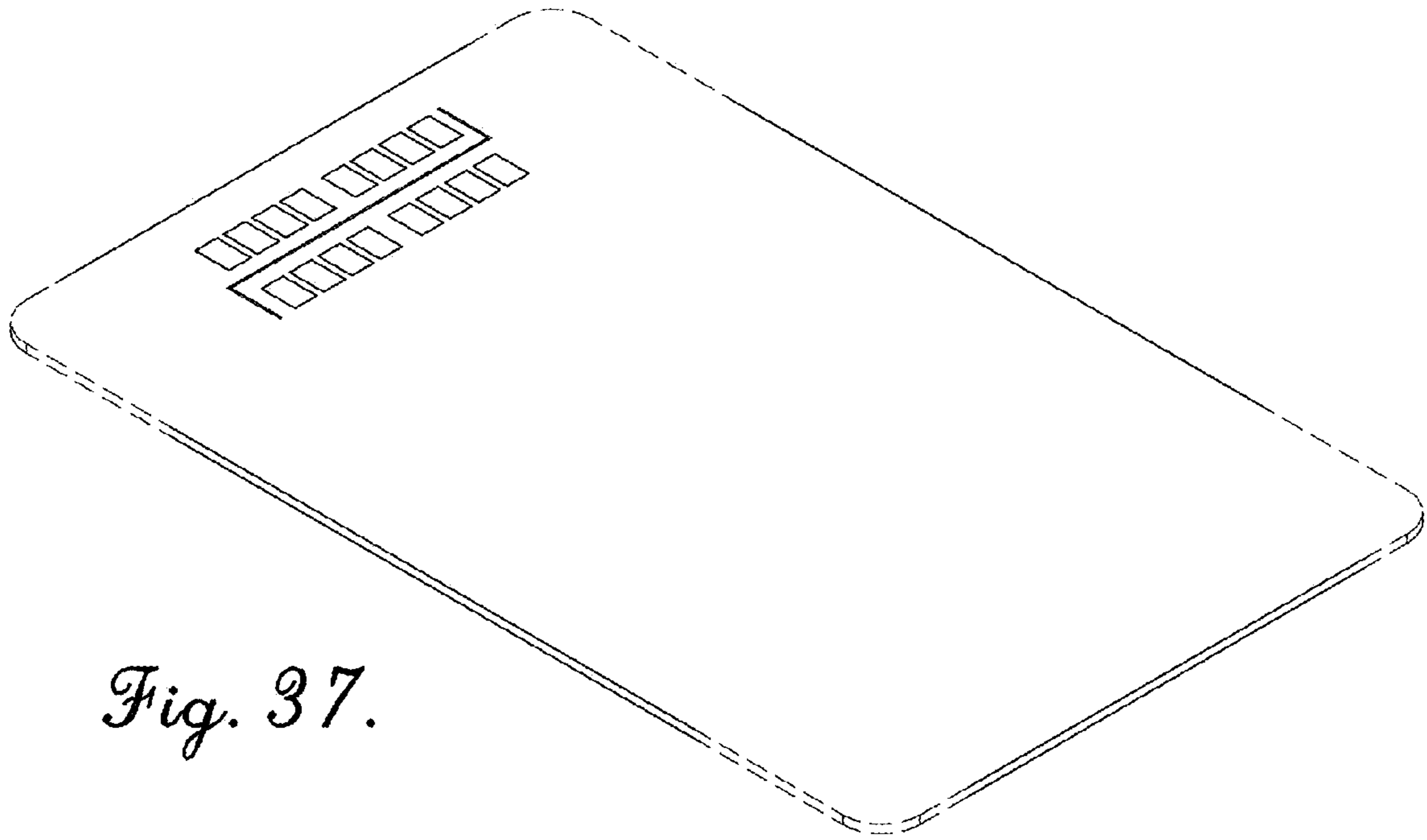


Fig. 37.

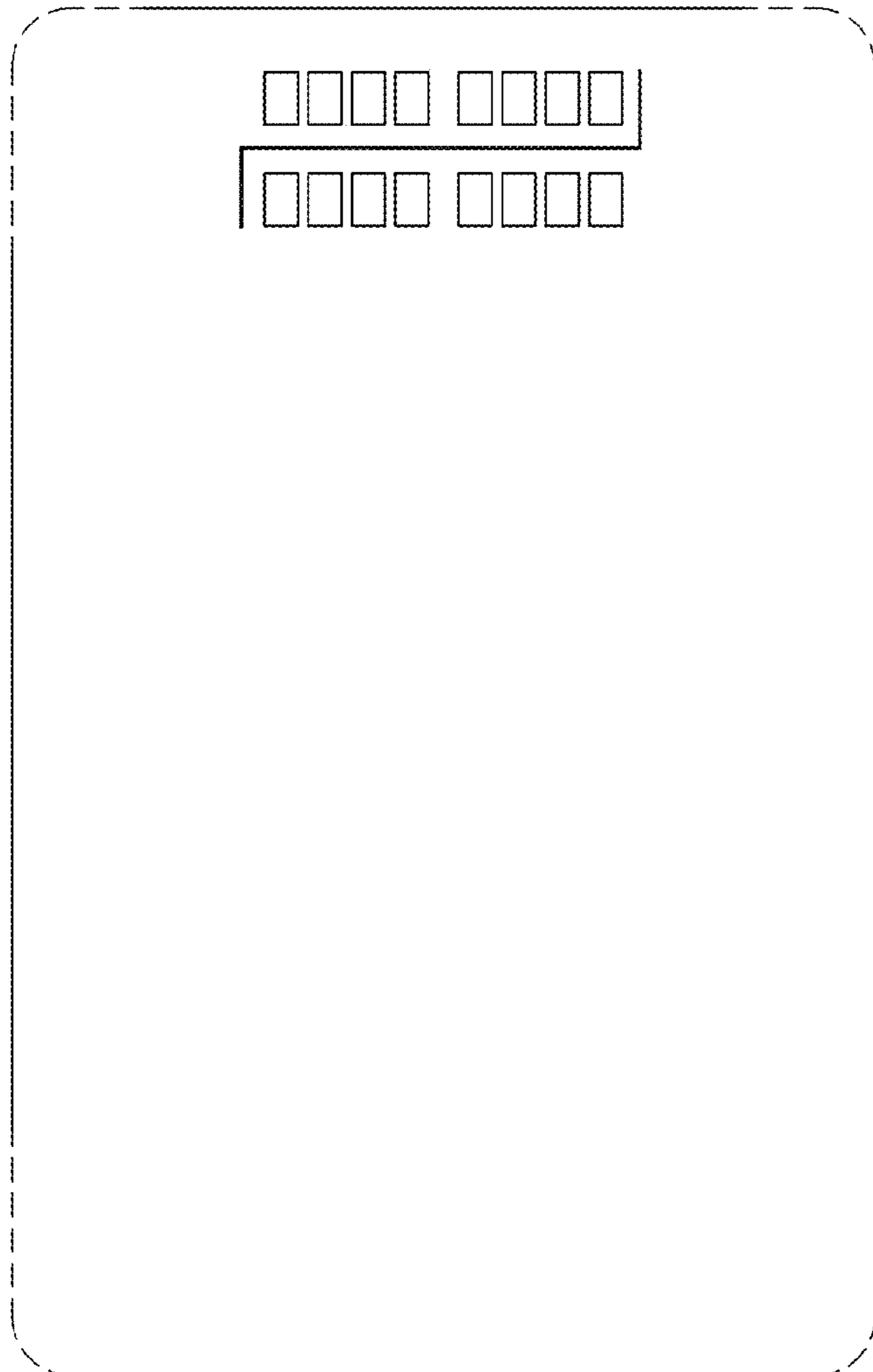


Fig. 38.

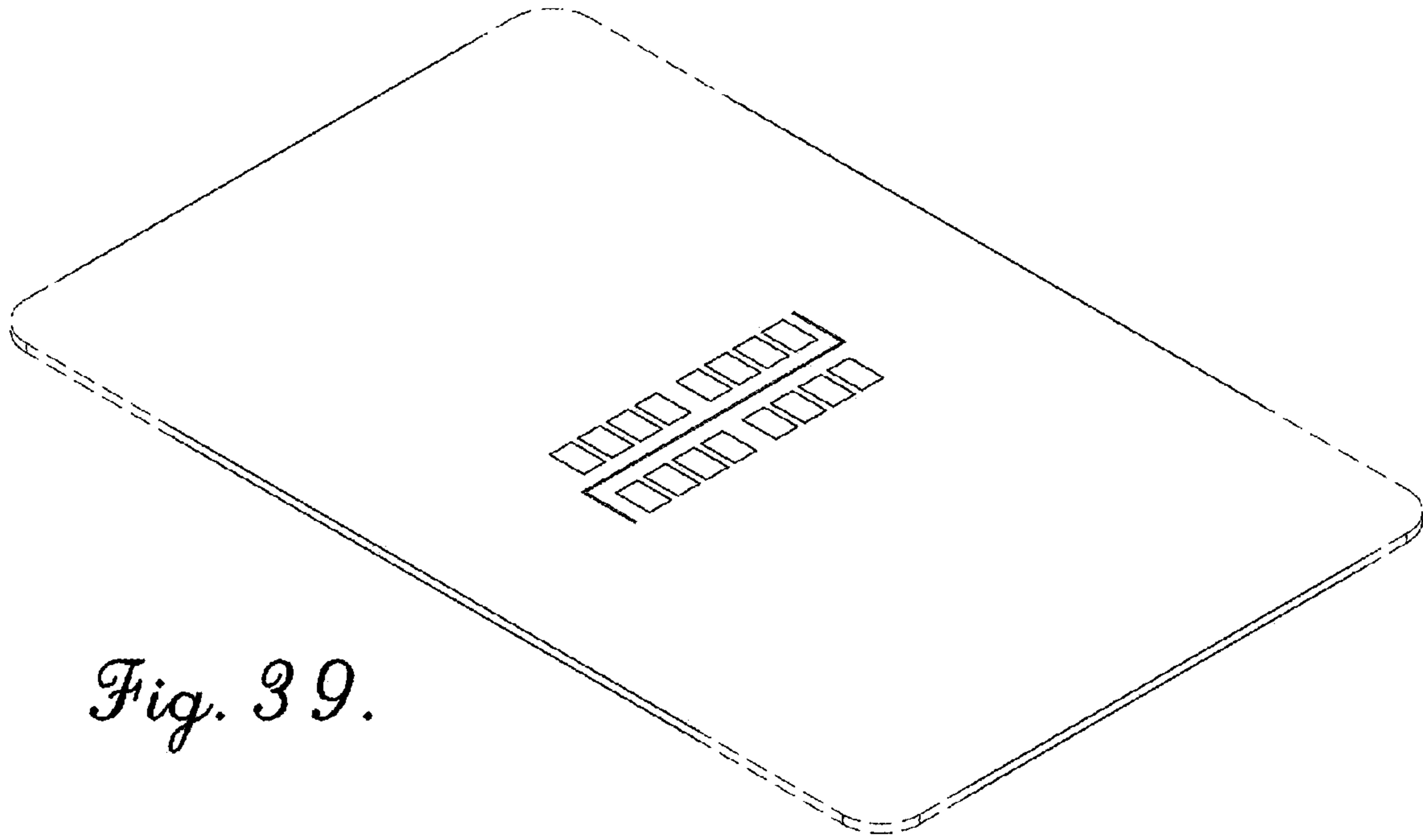


Fig. 39.

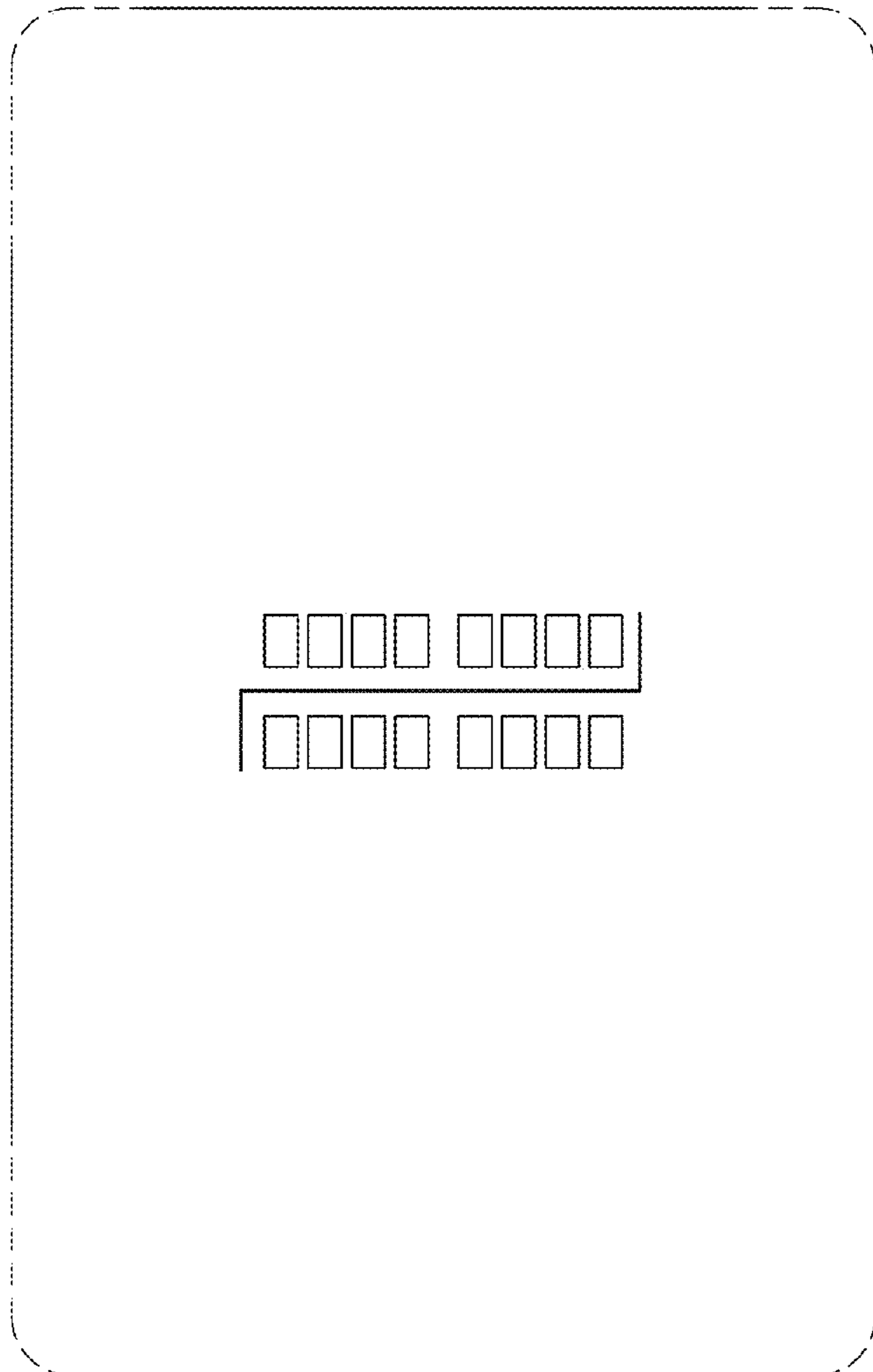


Fig. 40.

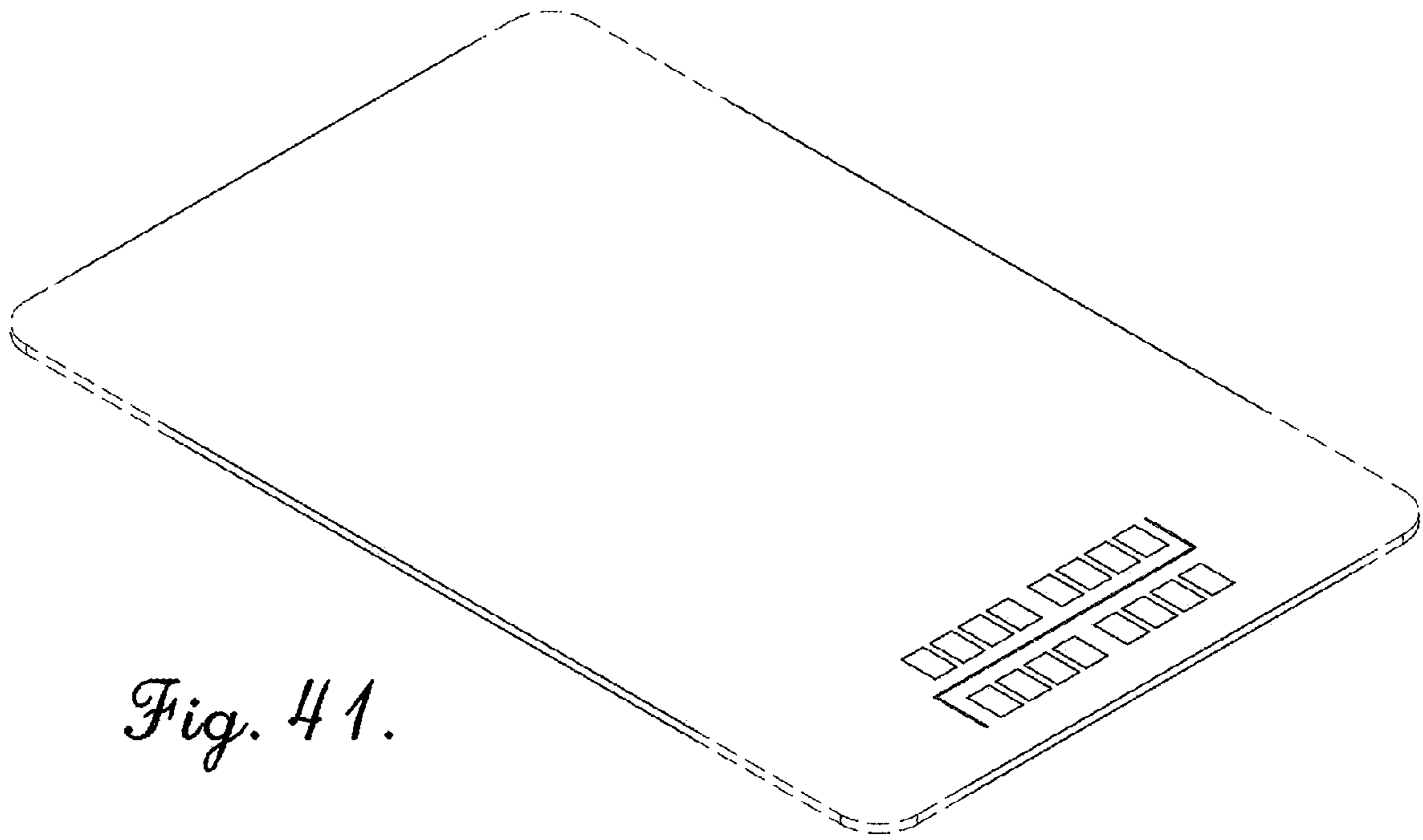


Fig. 41.



Fig. 42.

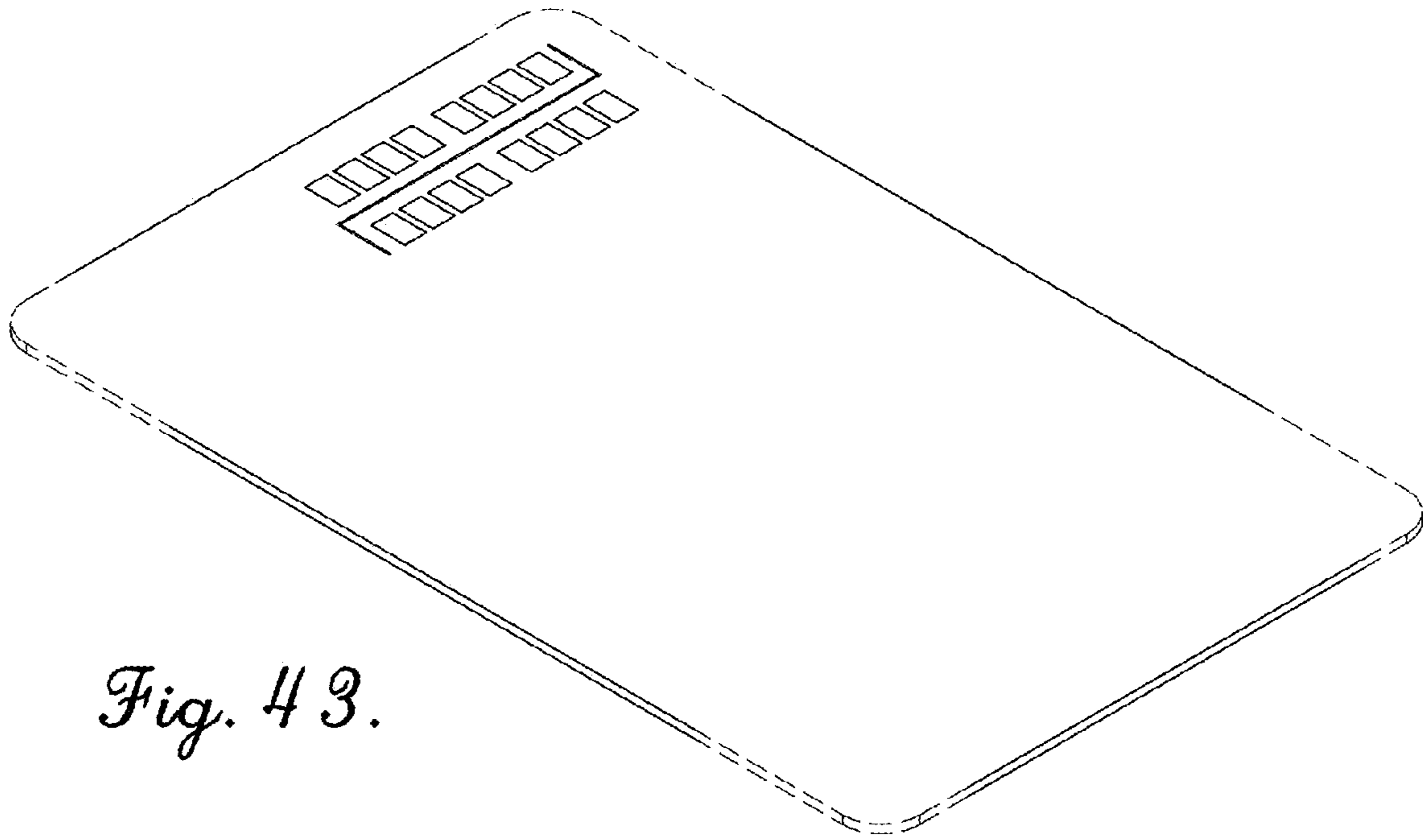


Fig. 43.

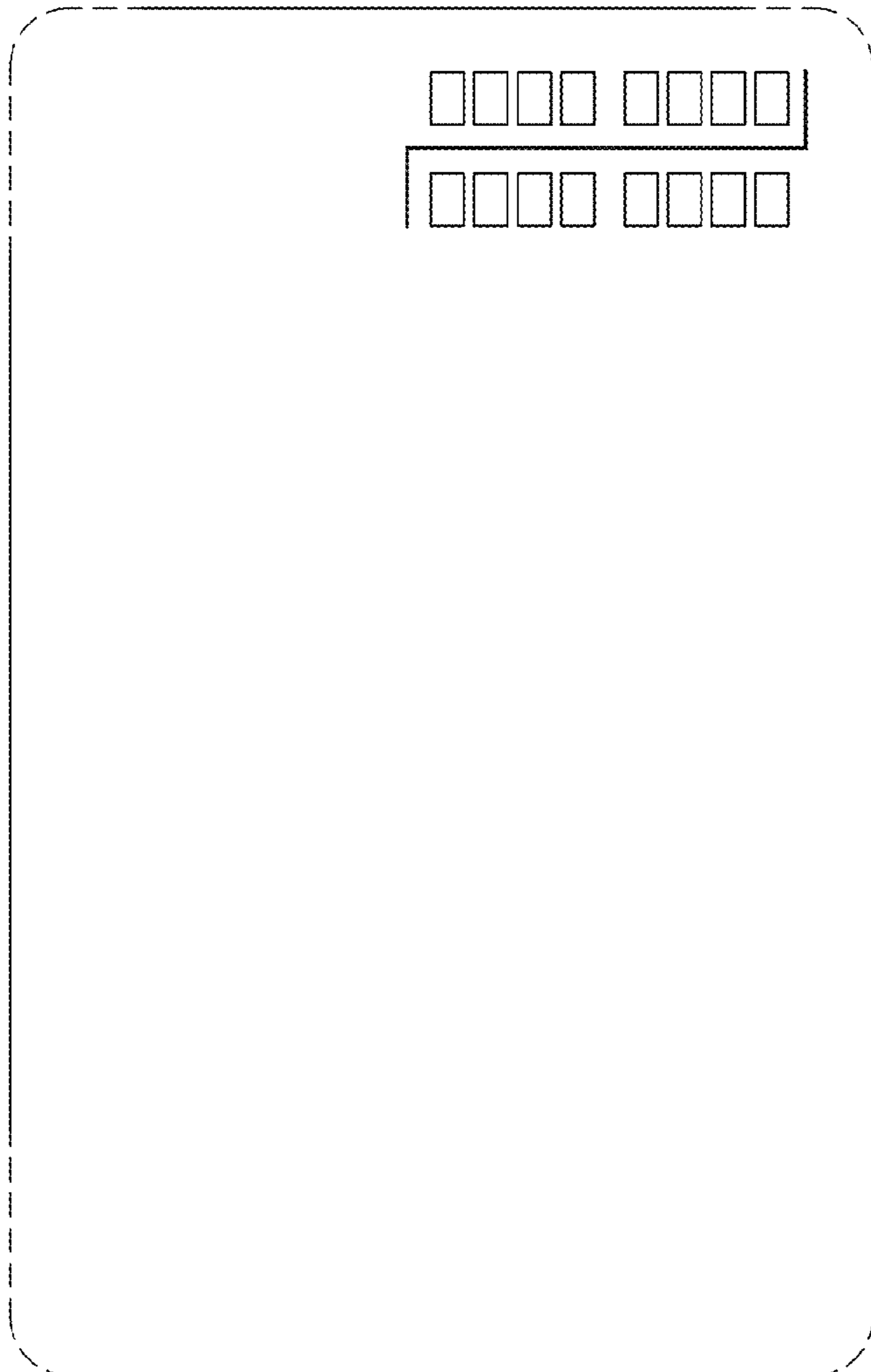


Fig. 44.

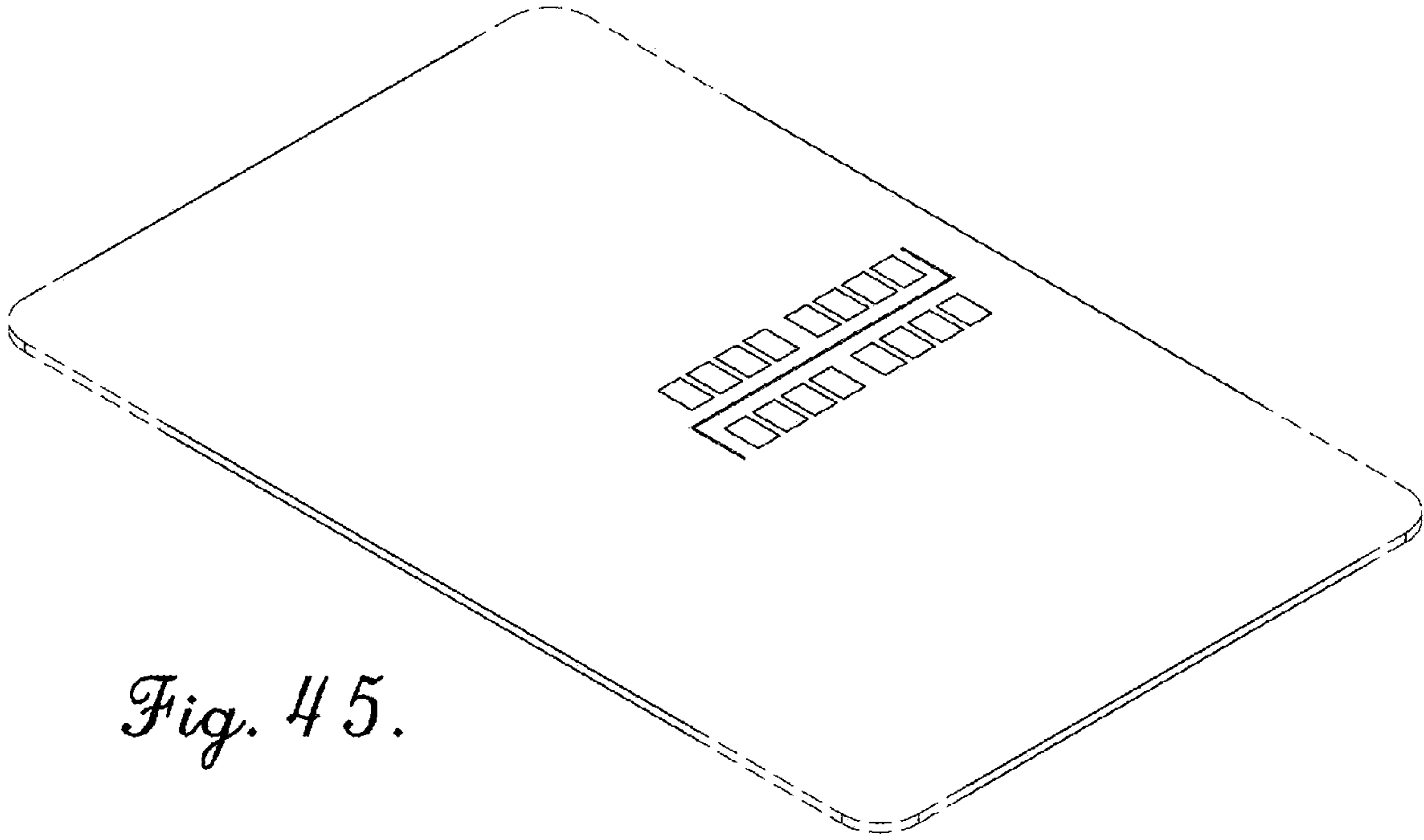


Fig. 45.

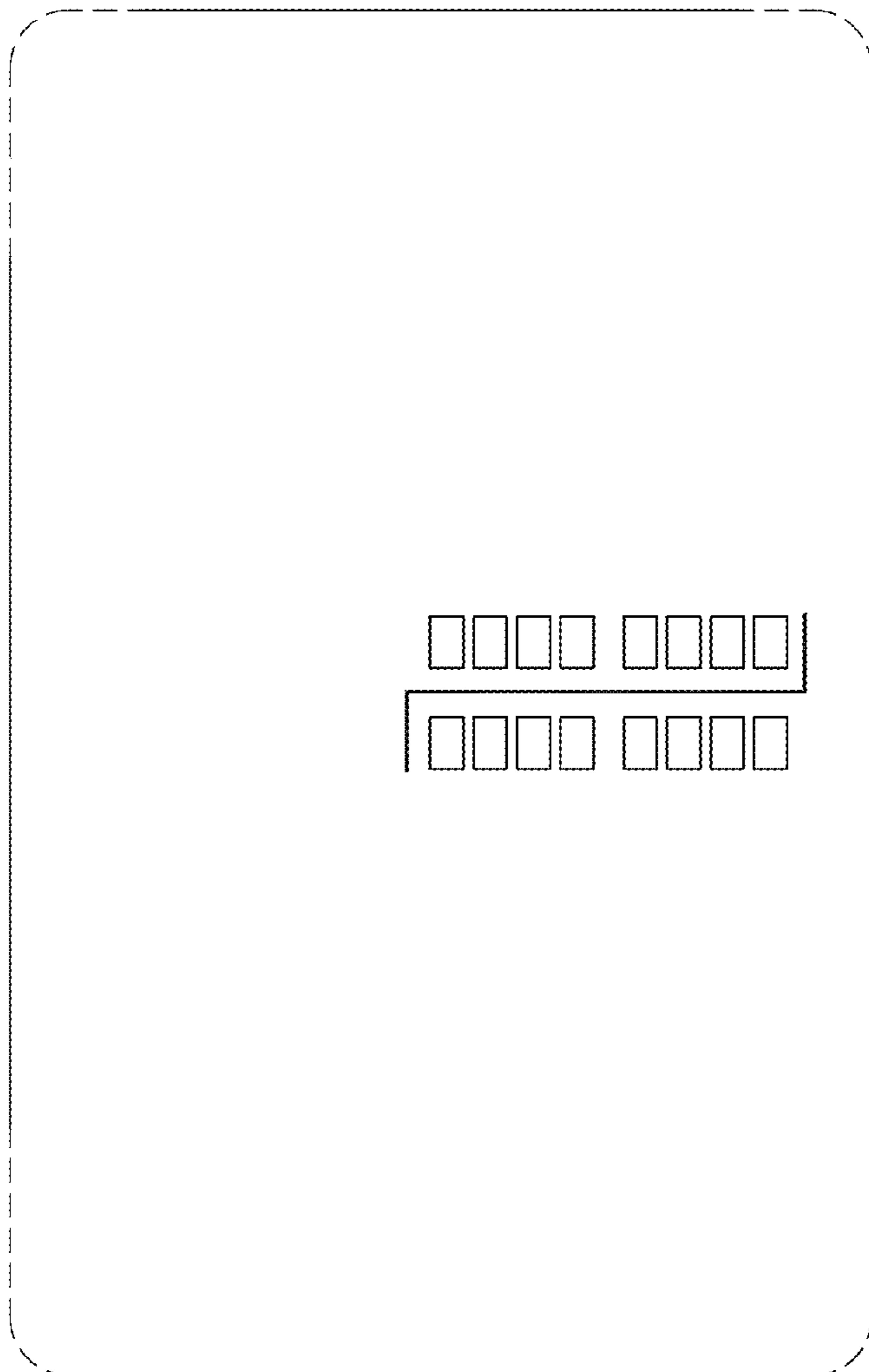


Fig. 46.

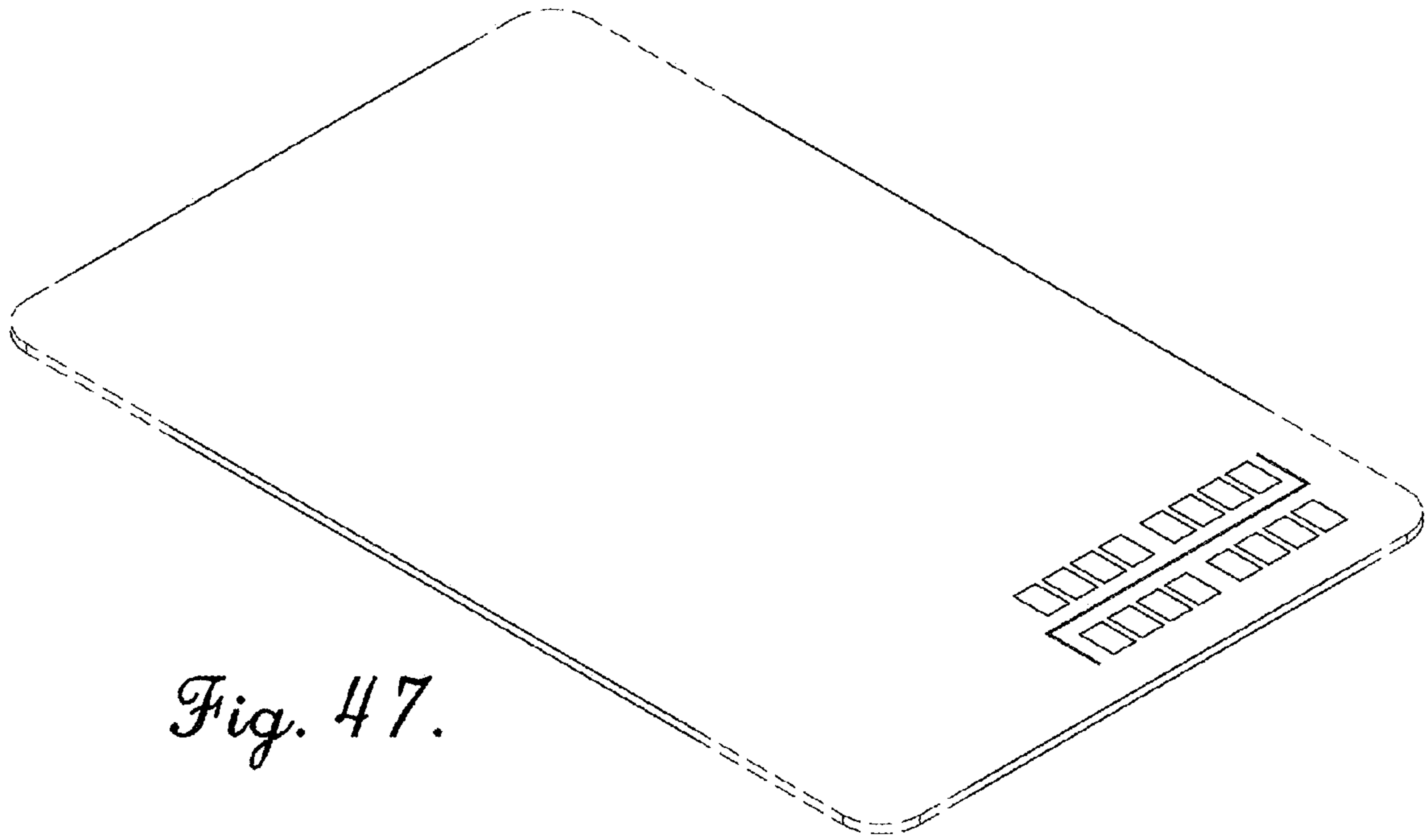


Fig. 47.

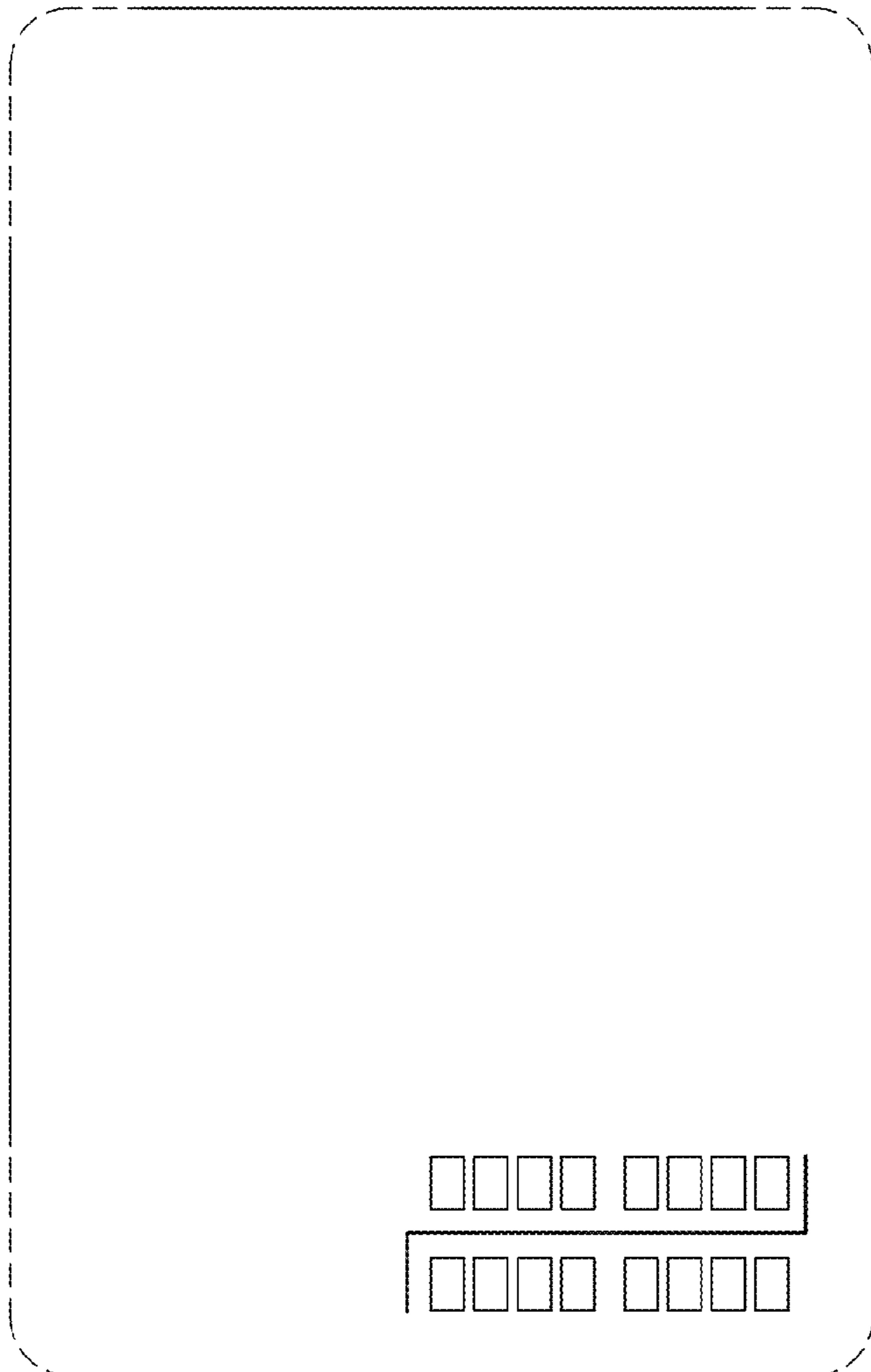


Fig. 48.

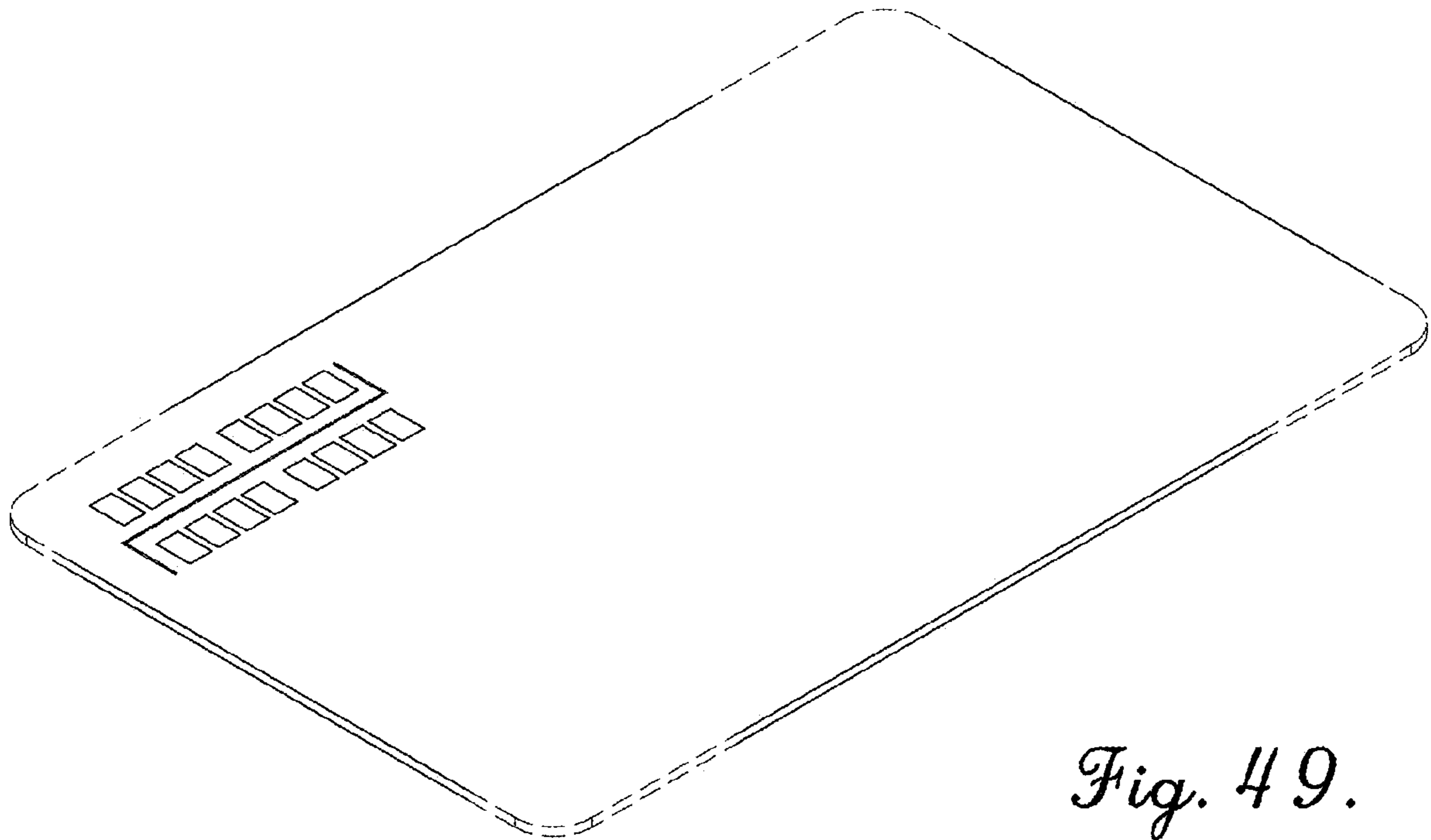


Fig. 49.

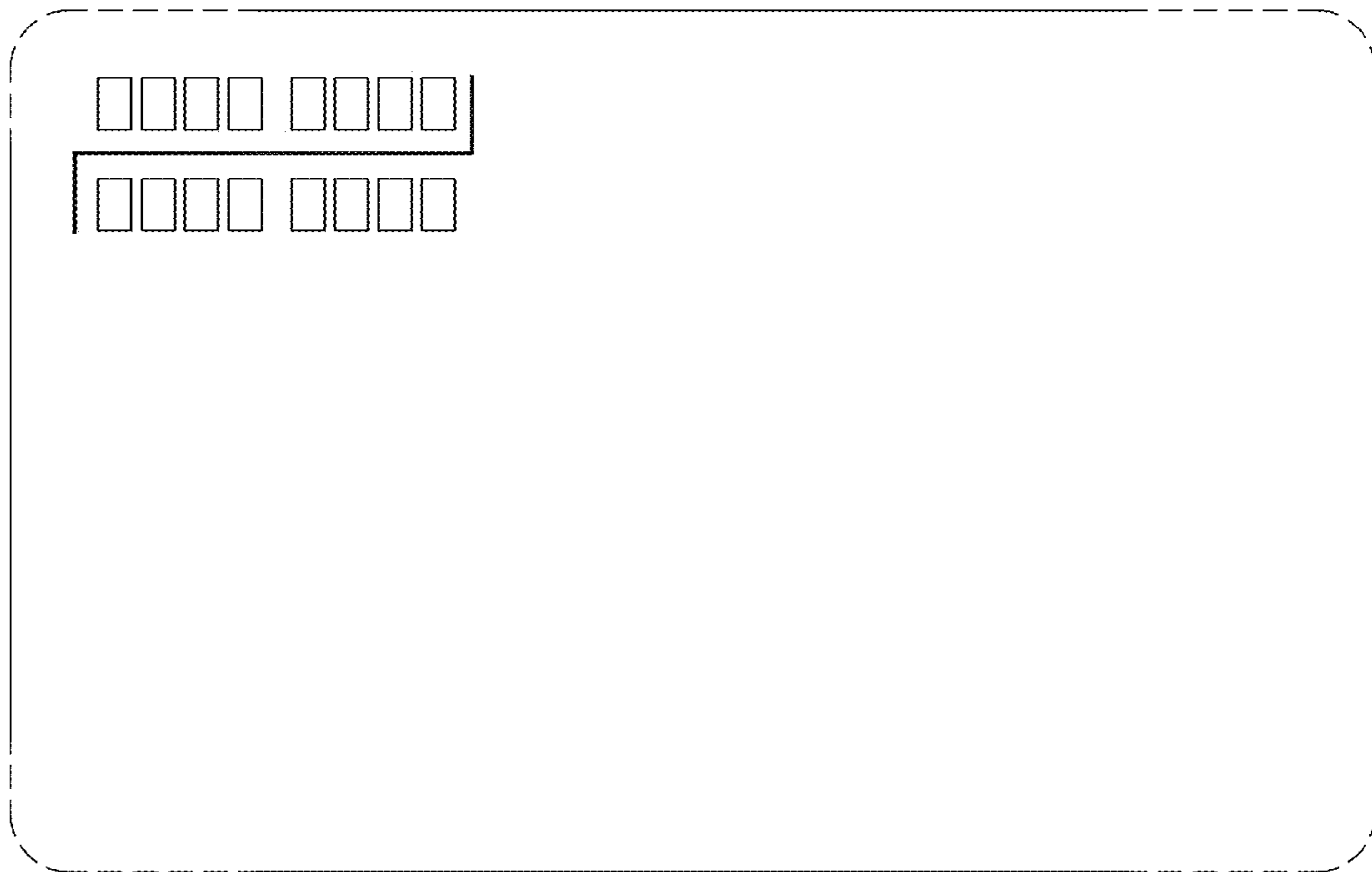


Fig. 50.

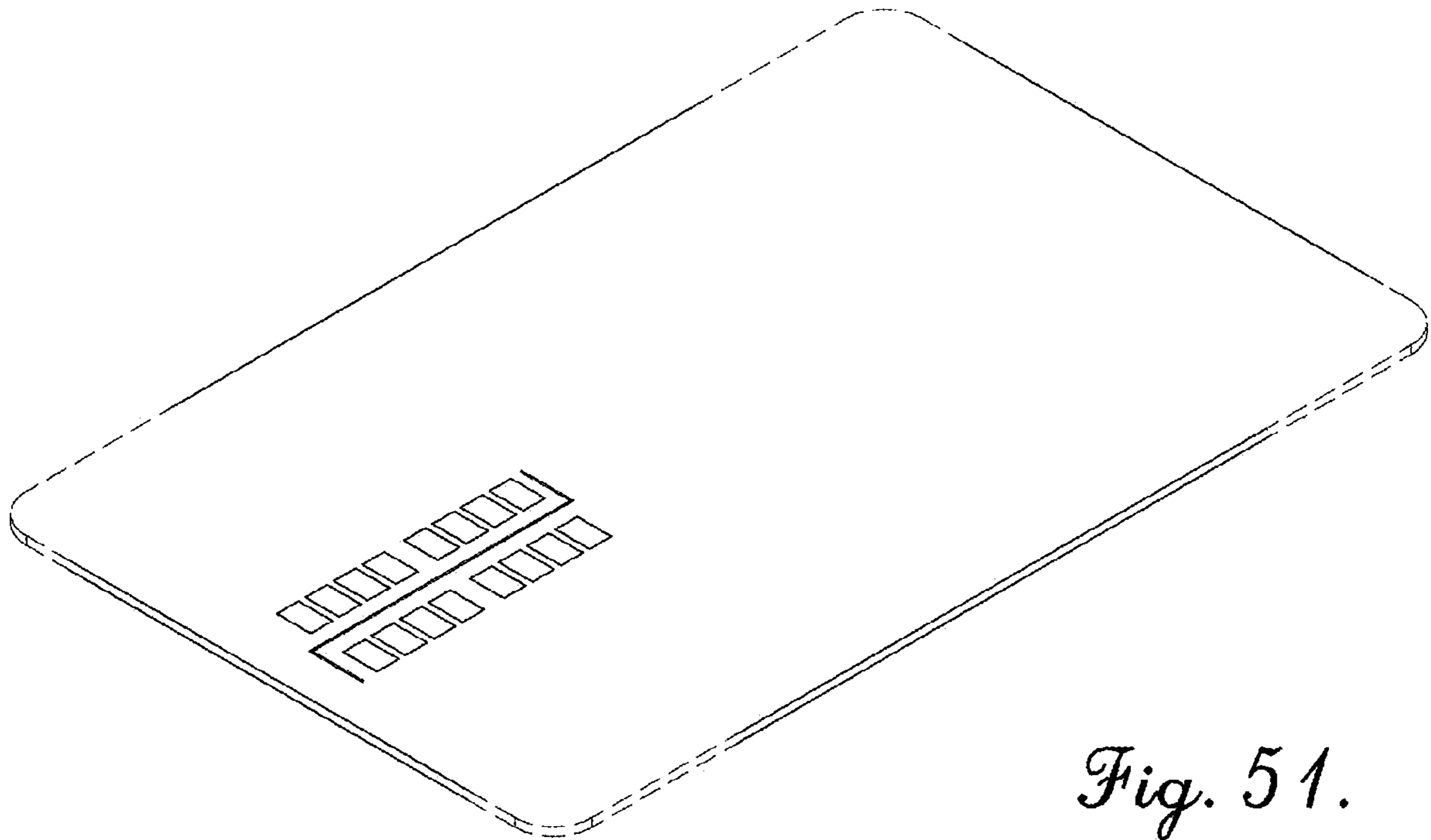


Fig. 51.

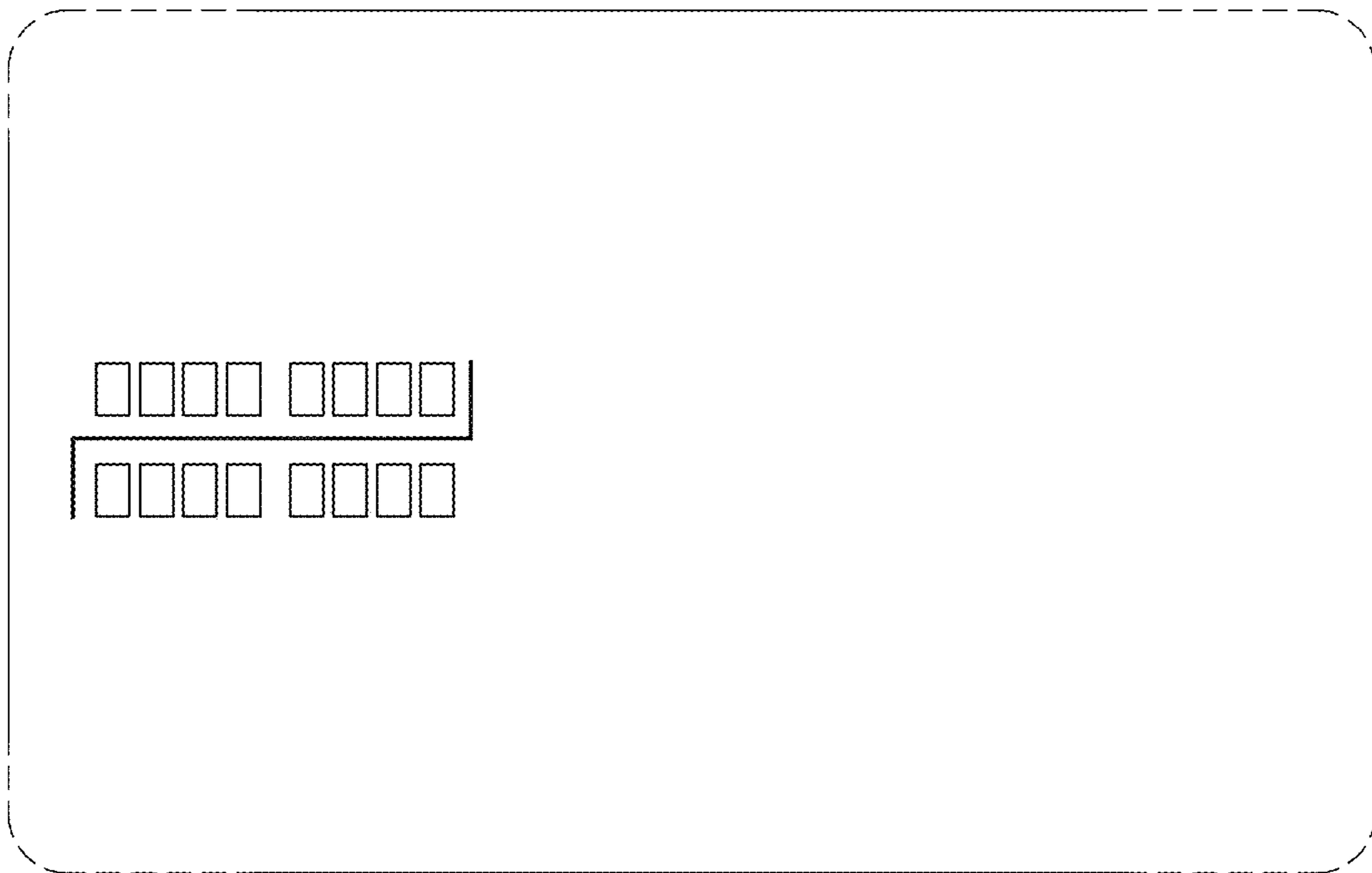


Fig. 52.

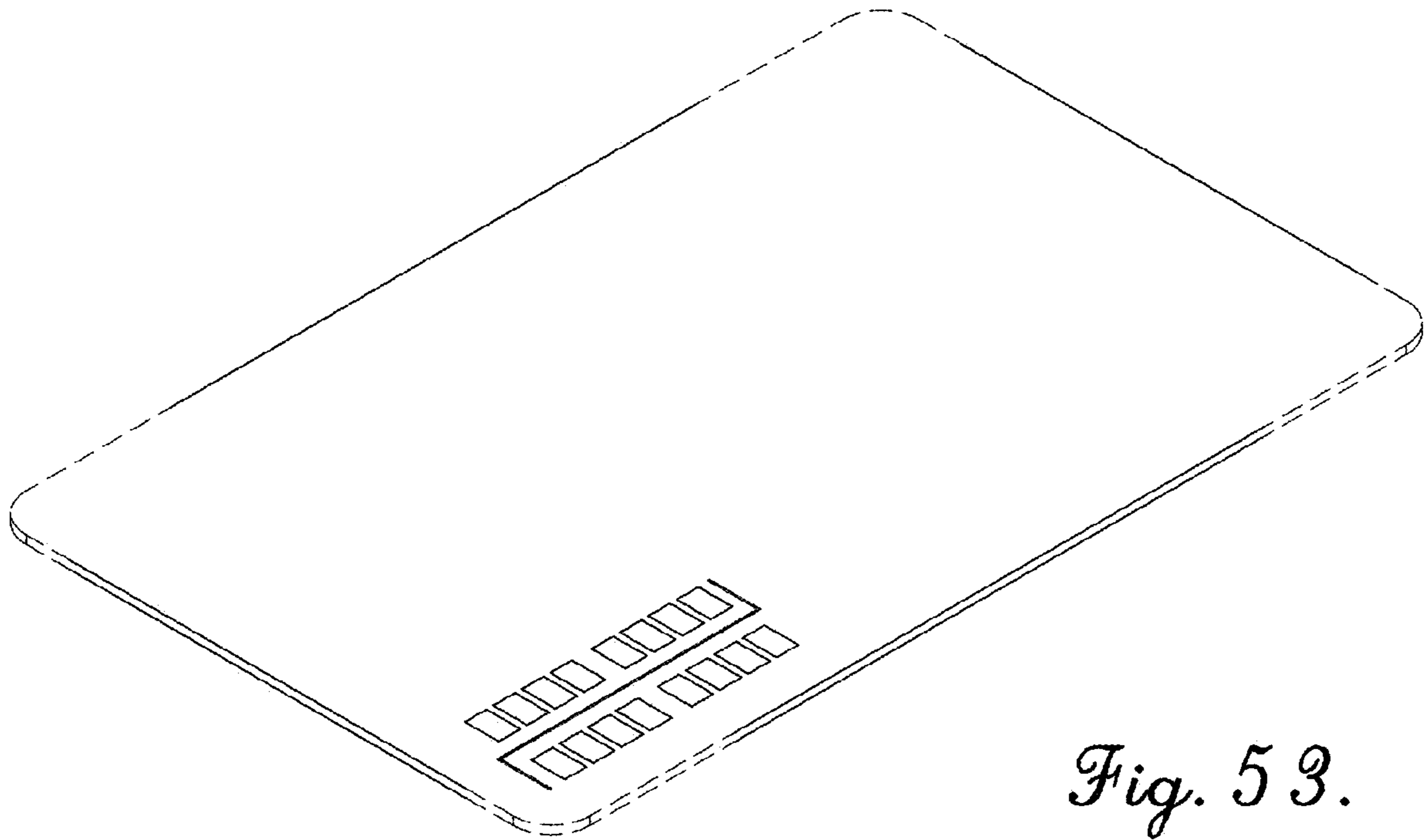


Fig. 53.

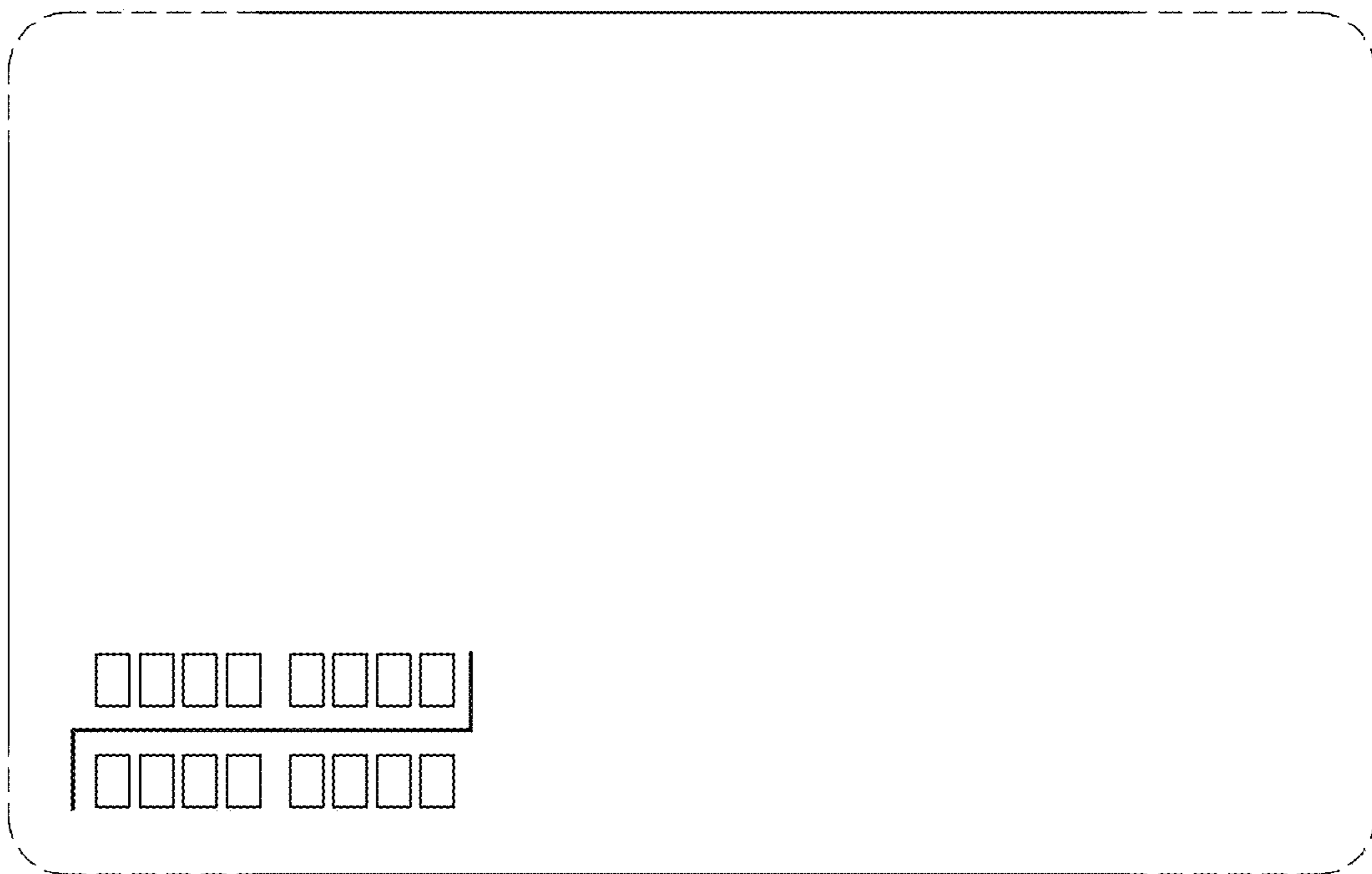


Fig. 54.

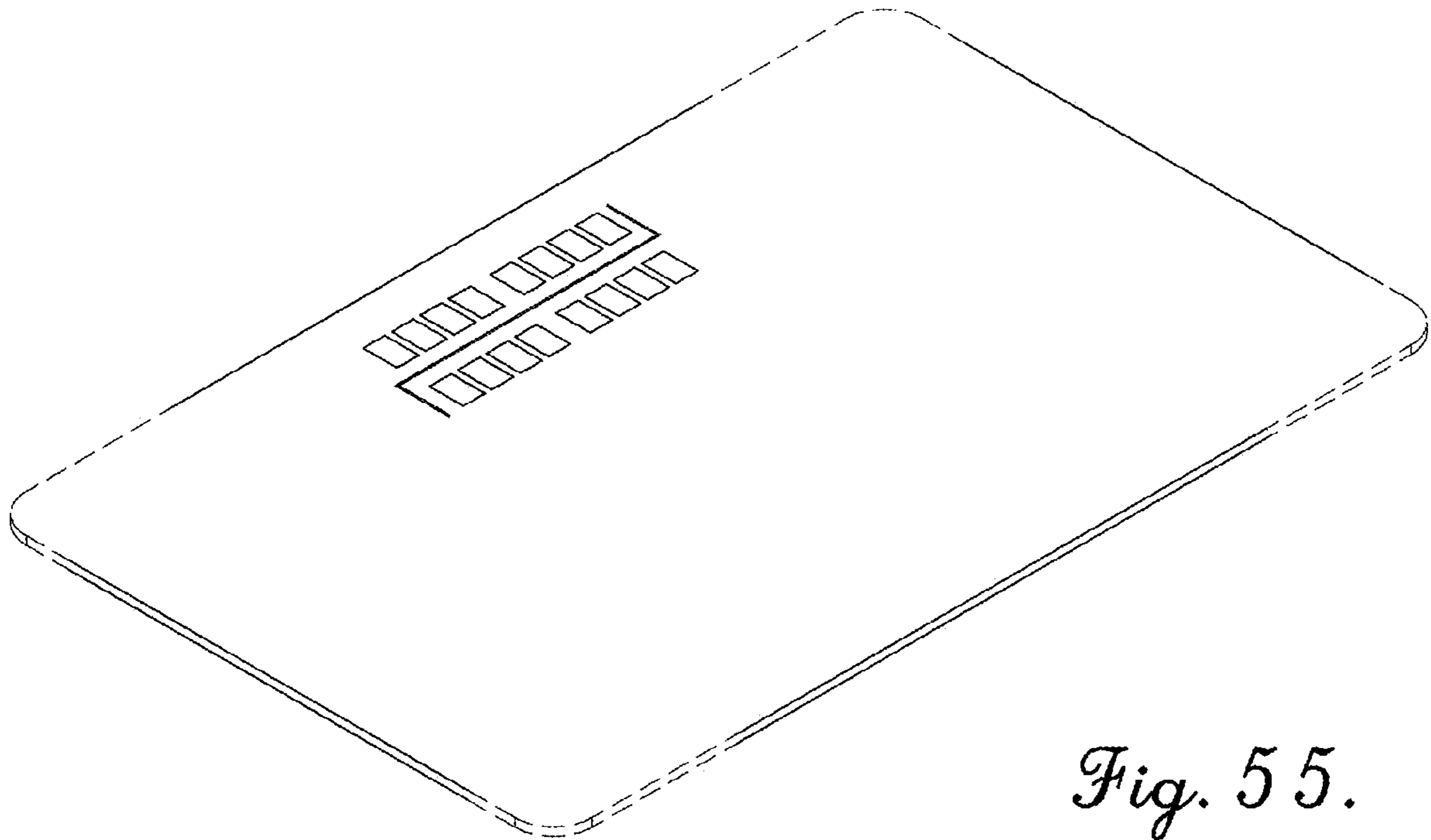


Fig. 55.

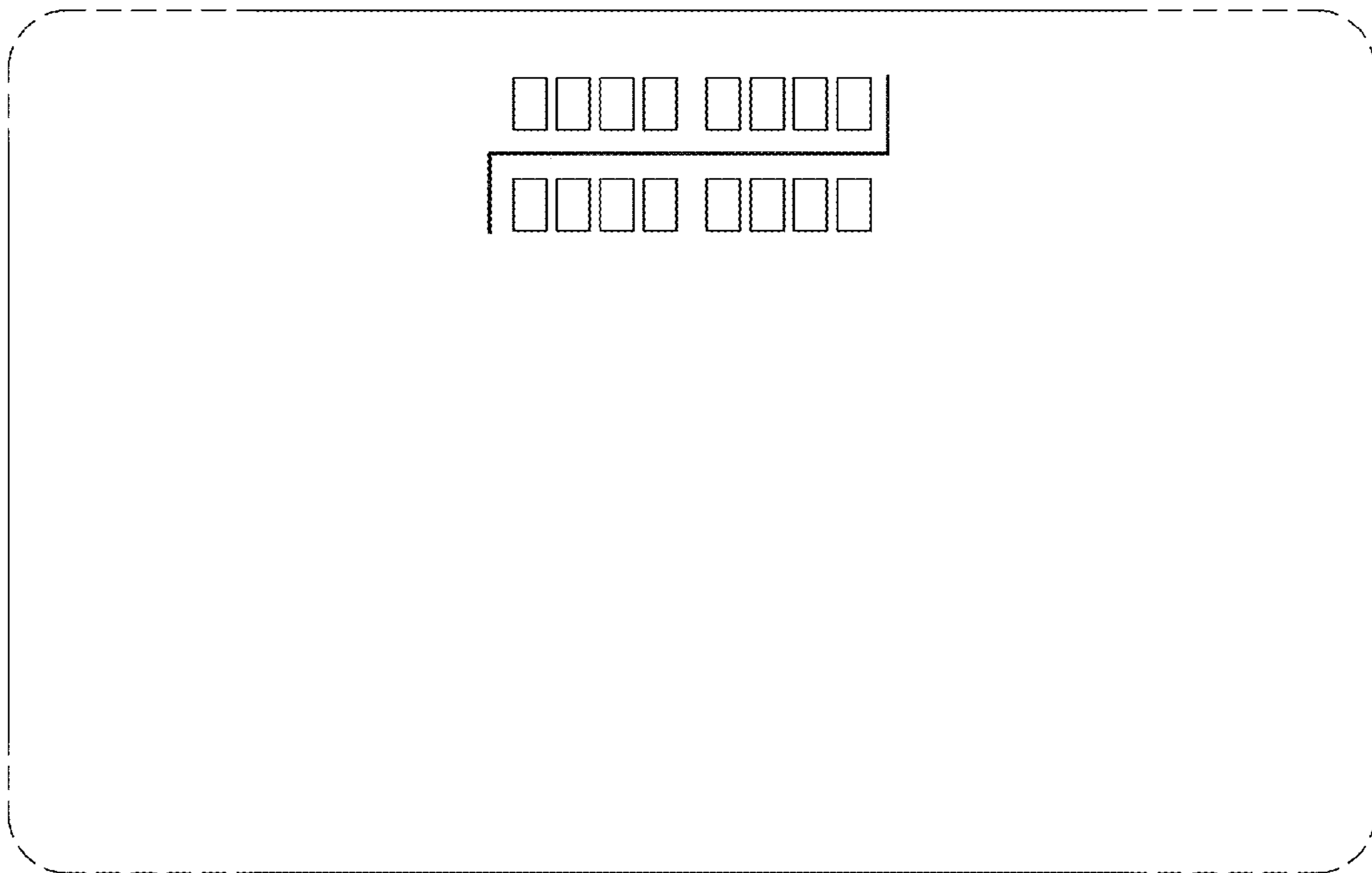


Fig. 56.

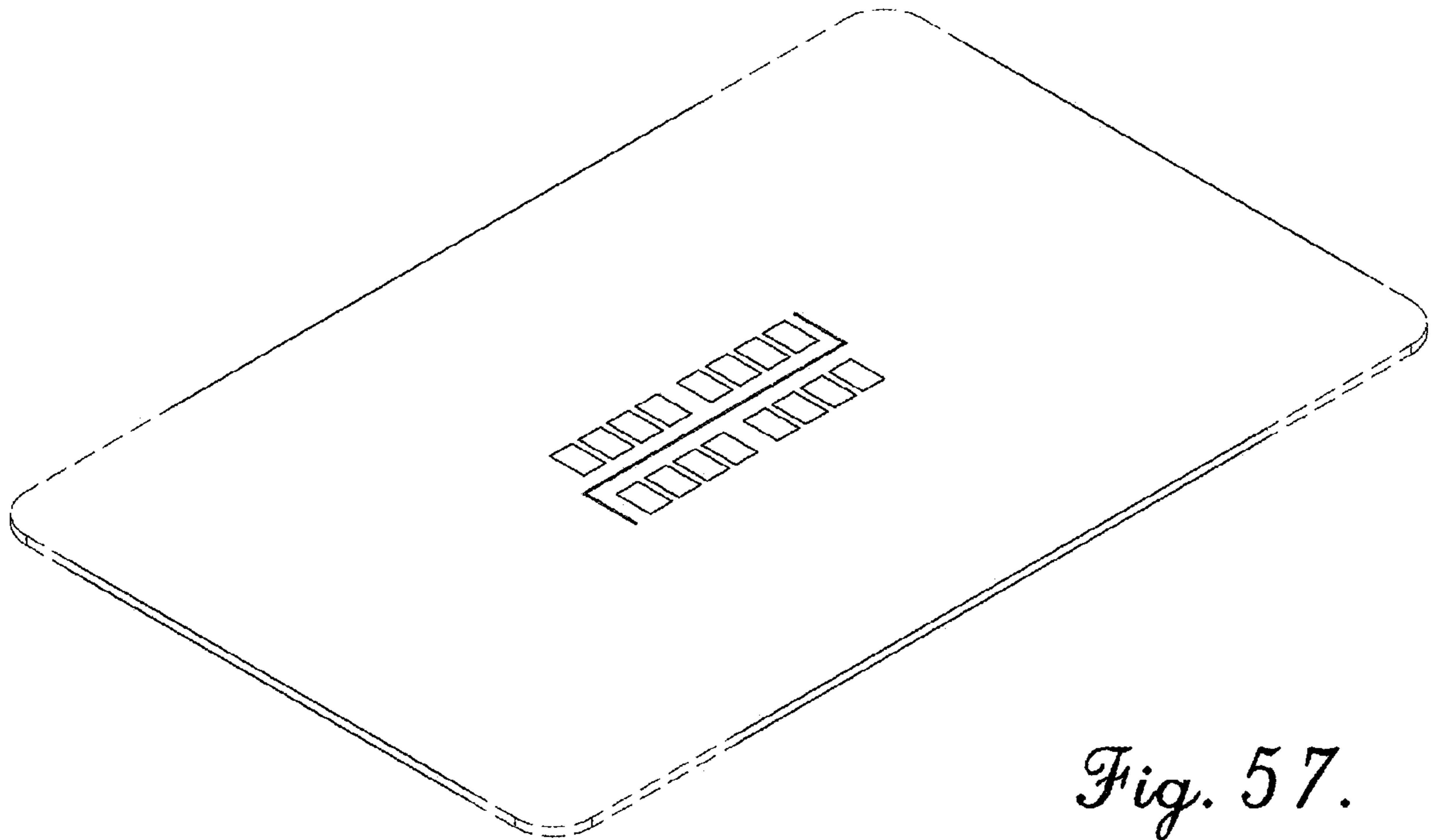


Fig. 57.

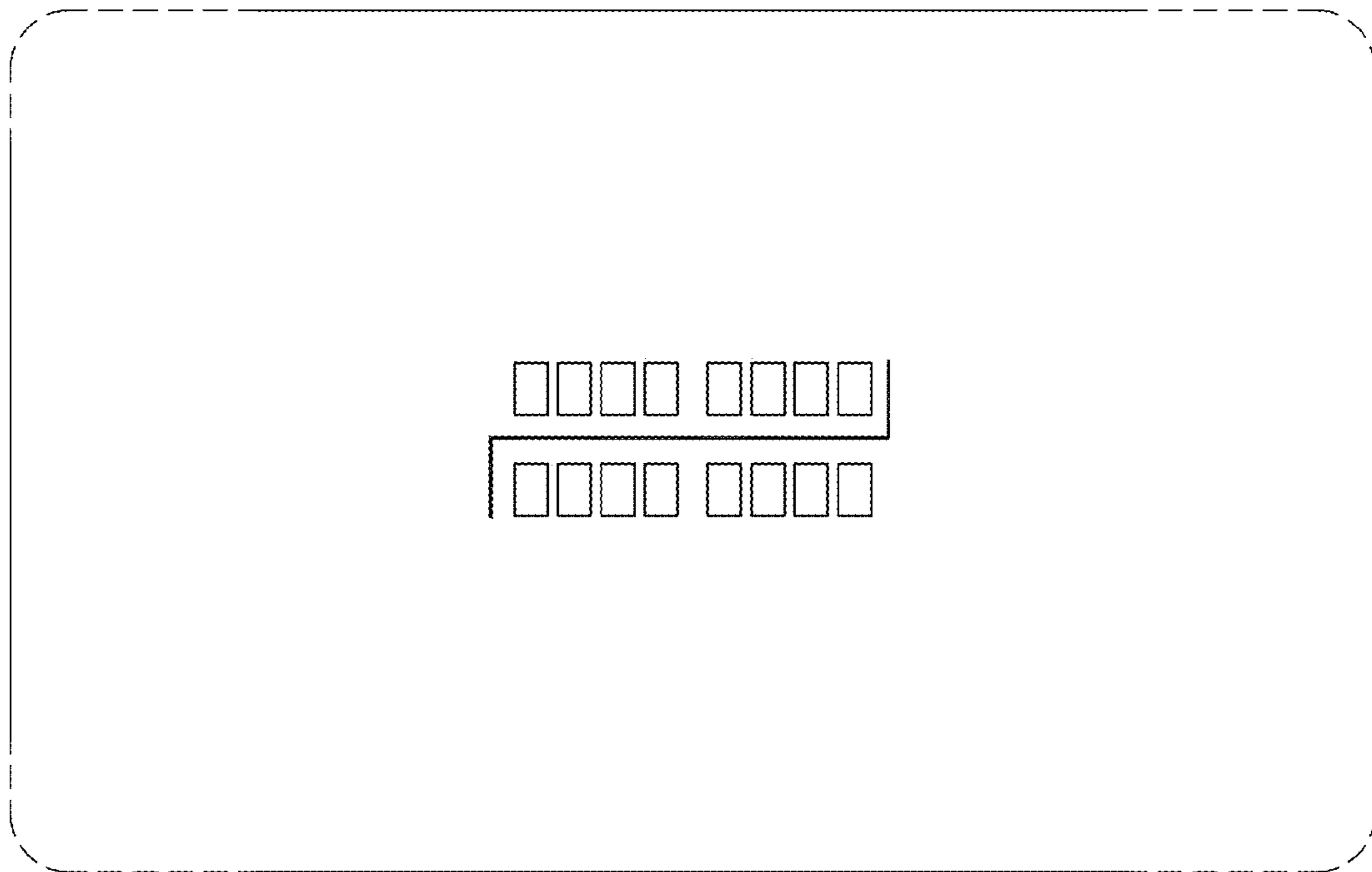


Fig. 58.

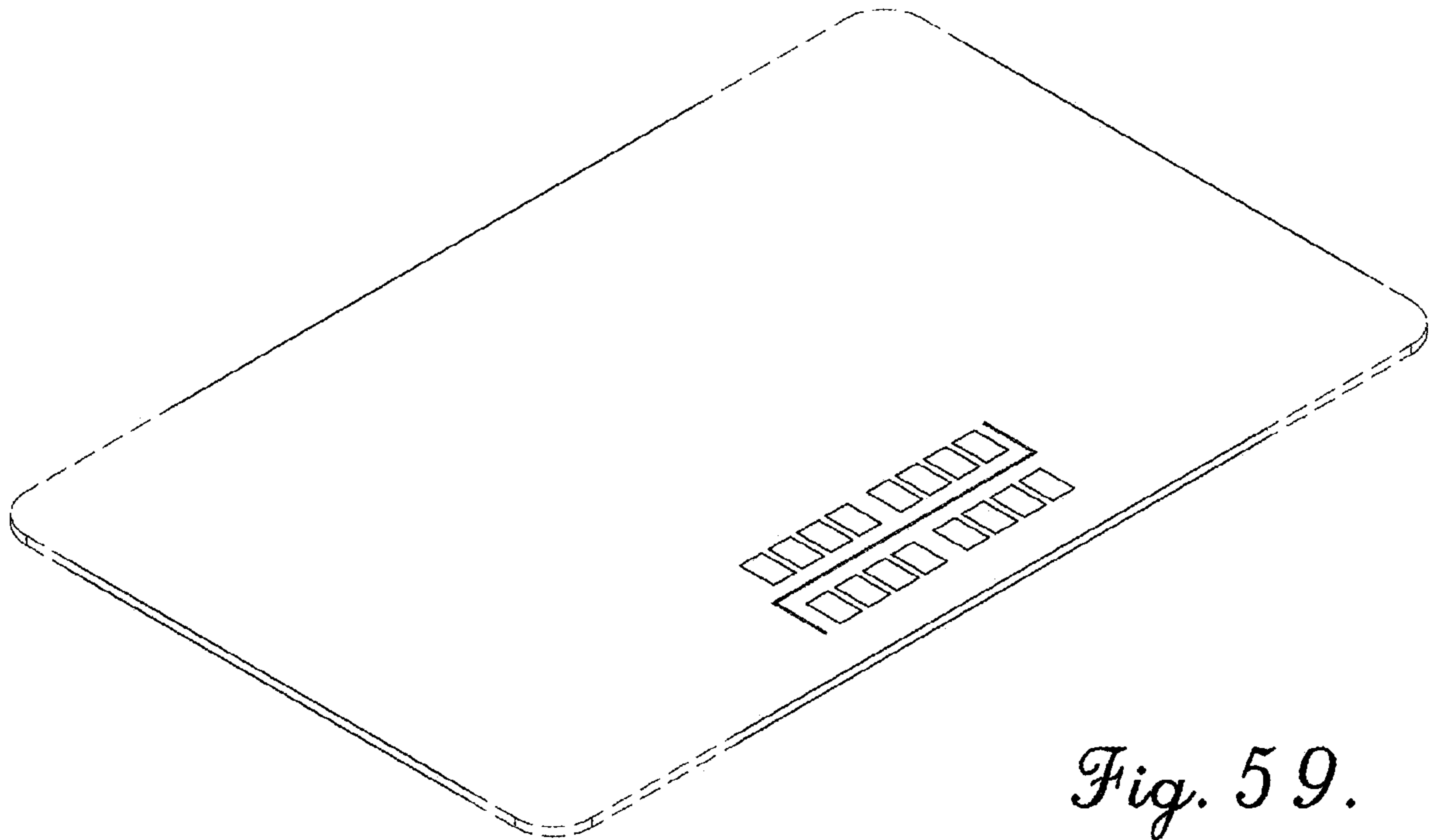


Fig. 59.

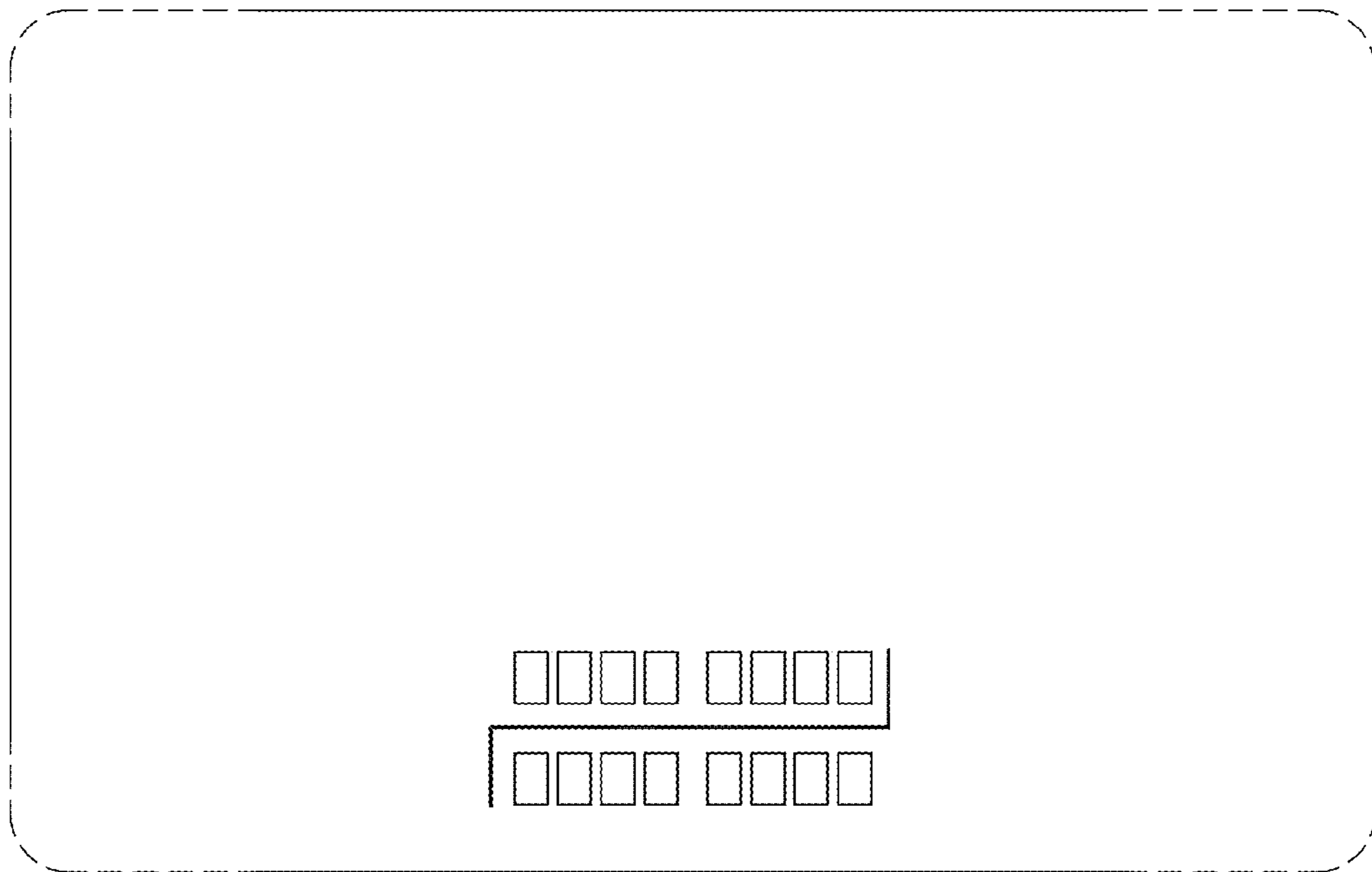


Fig. 60.

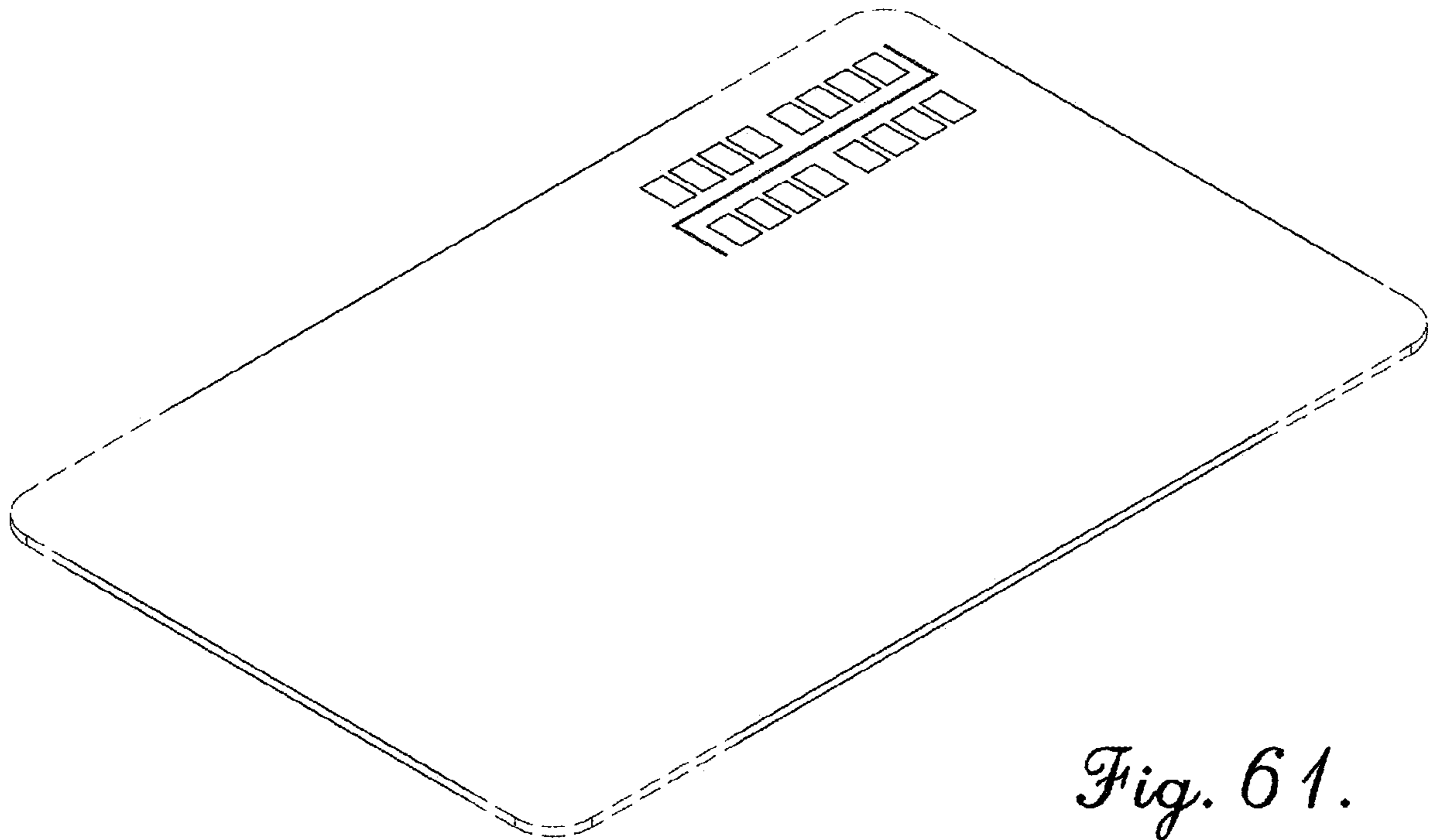


Fig. 61.

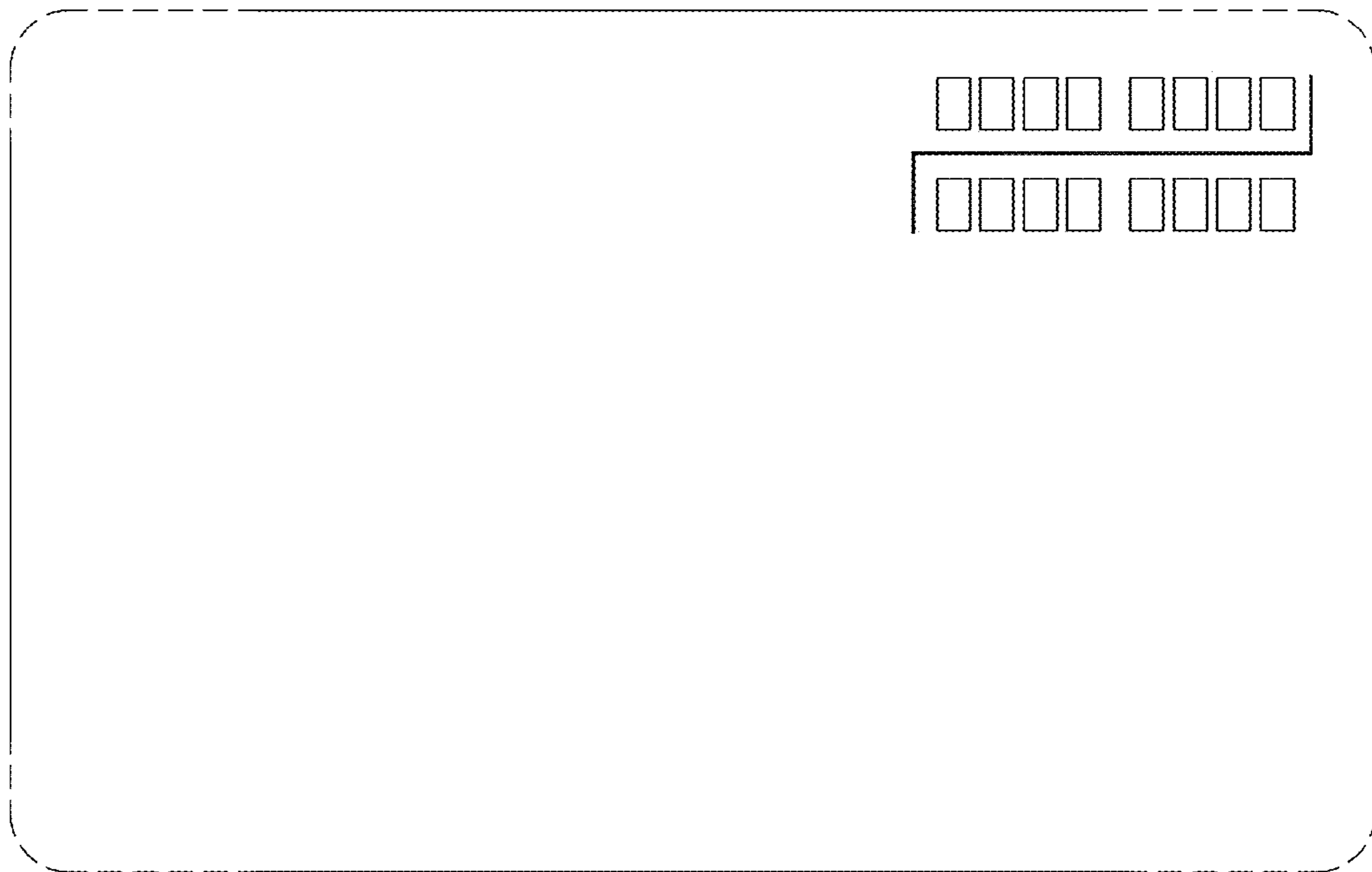


Fig. 62.

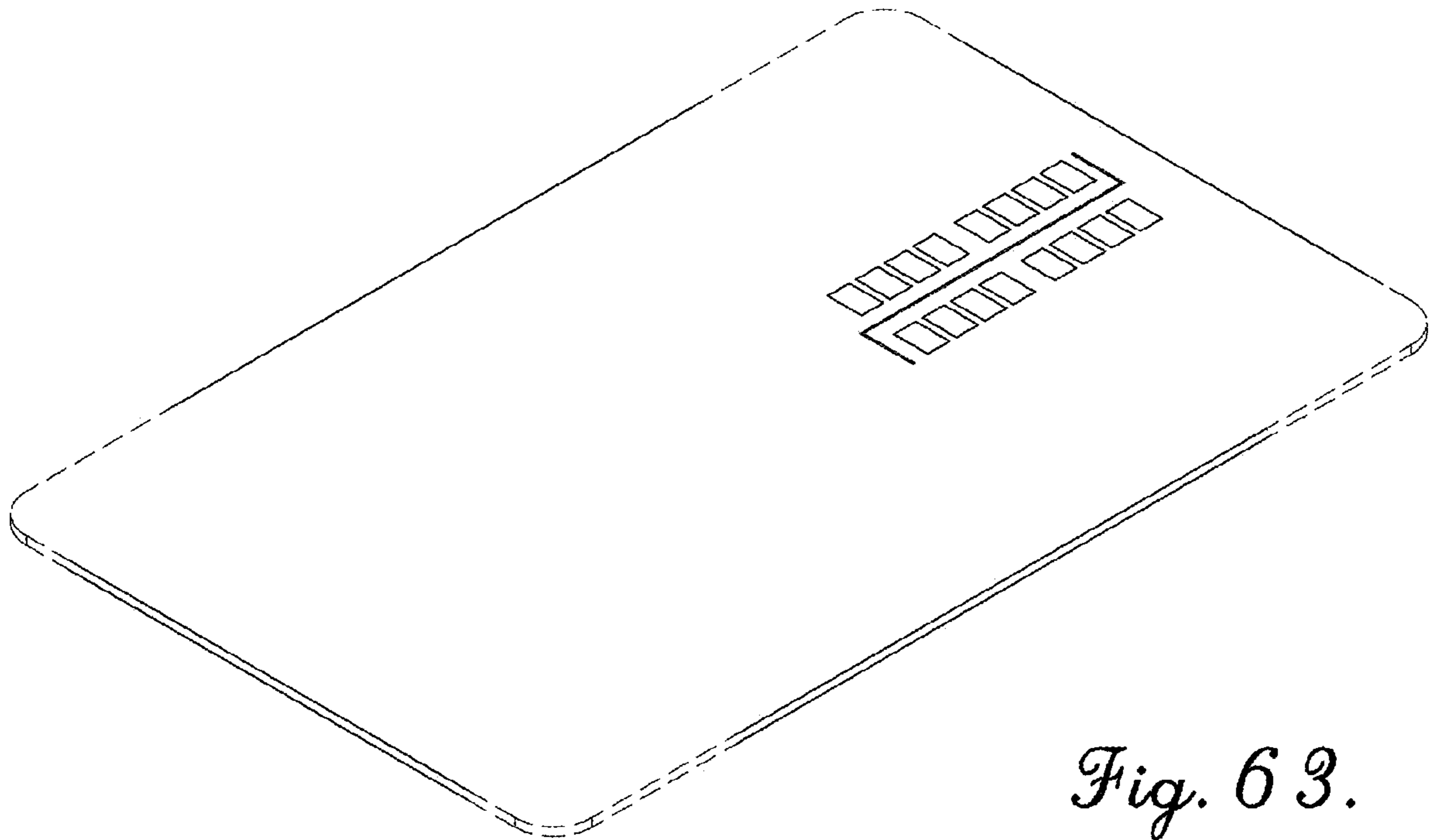


Fig. 63.

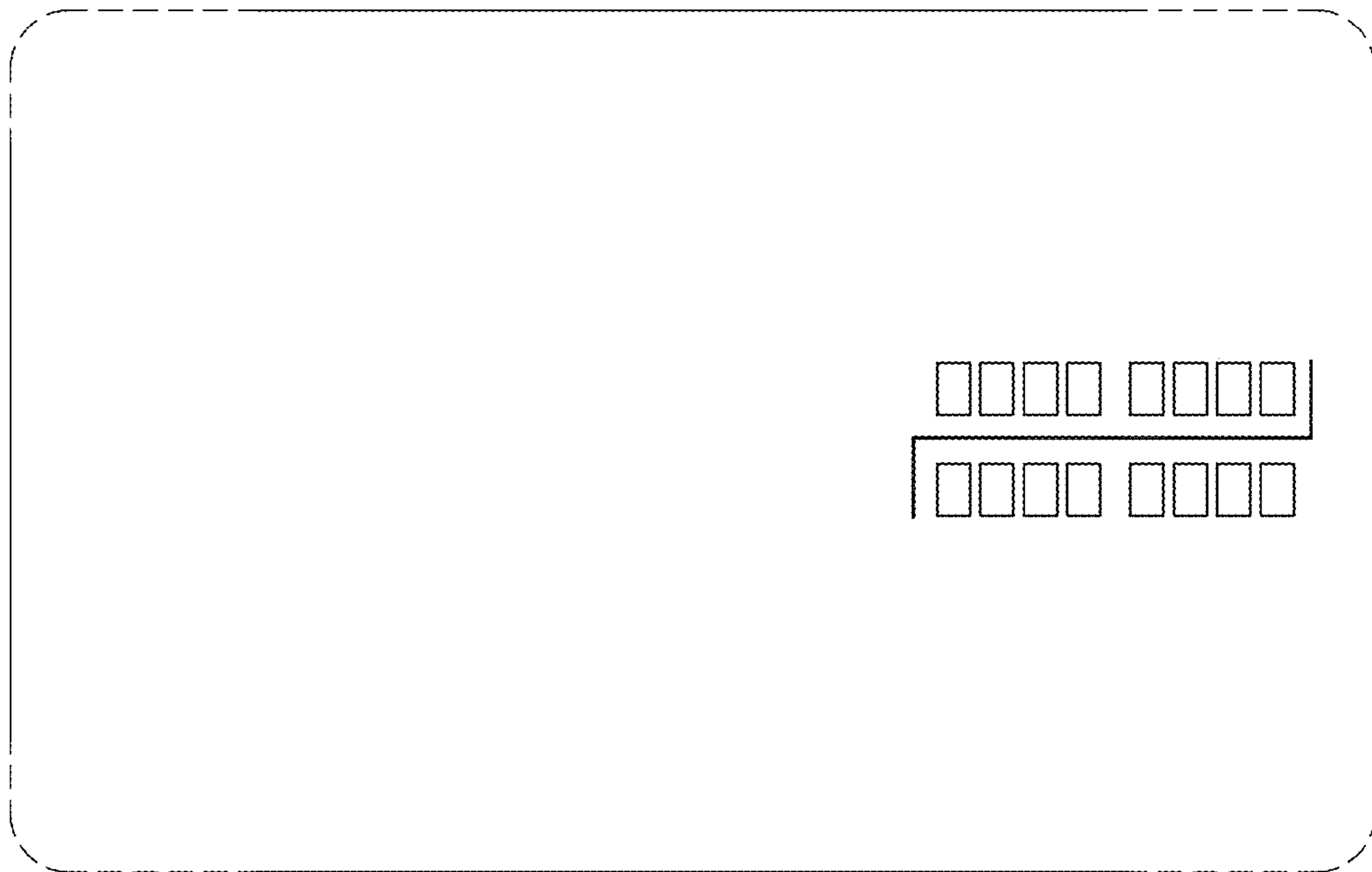


Fig. 64.

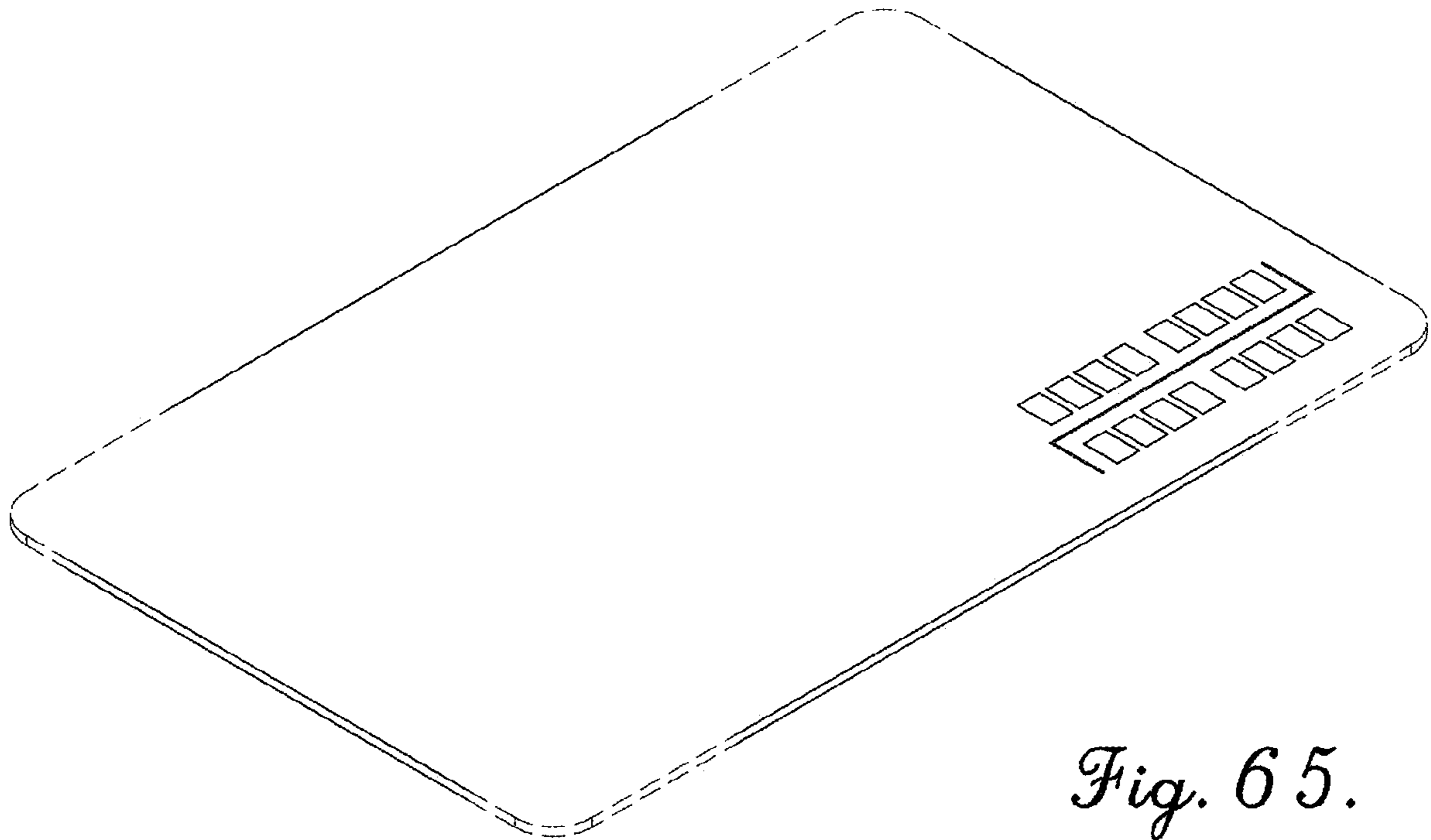


Fig. 65.

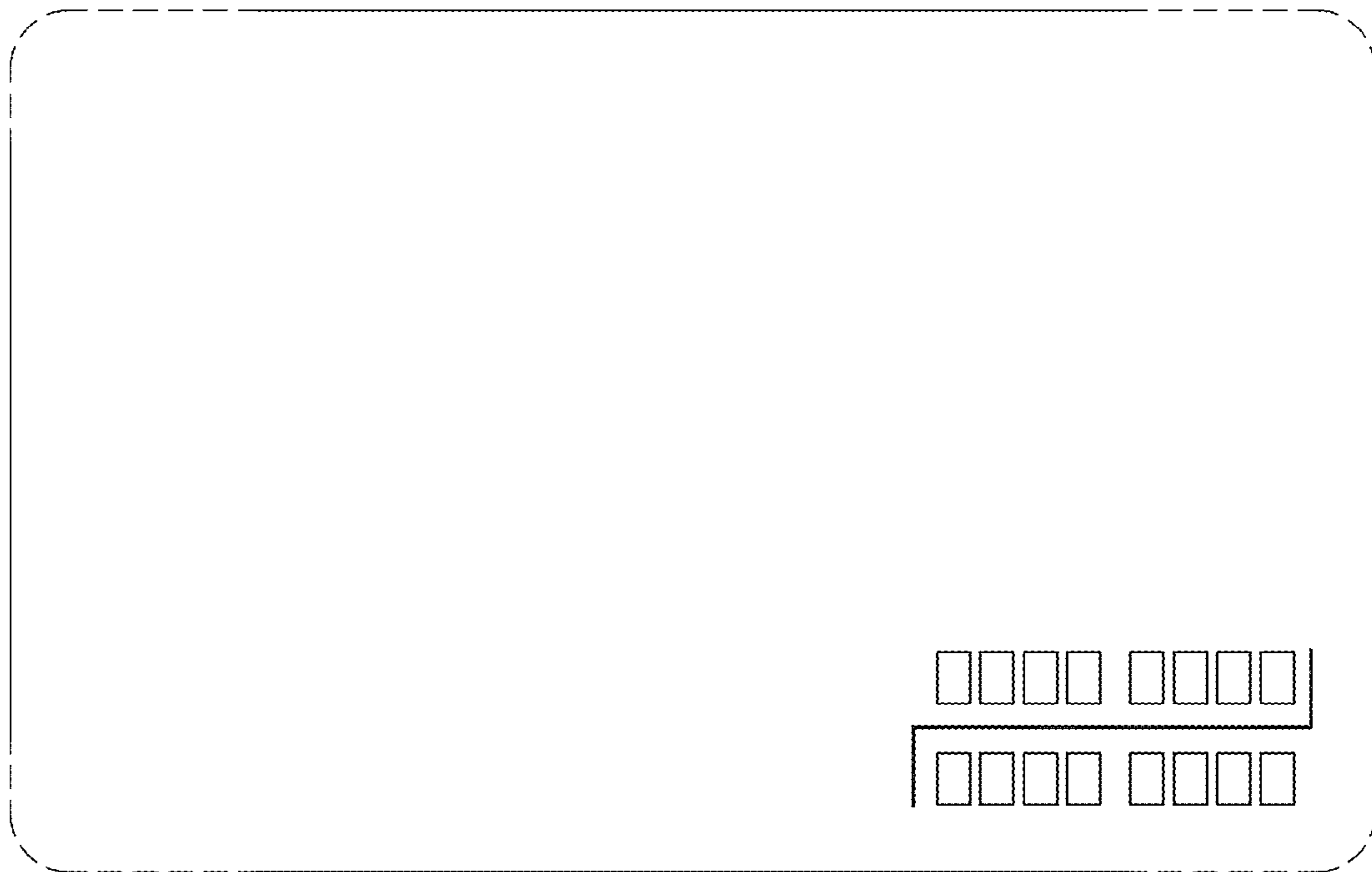


Fig. 66.

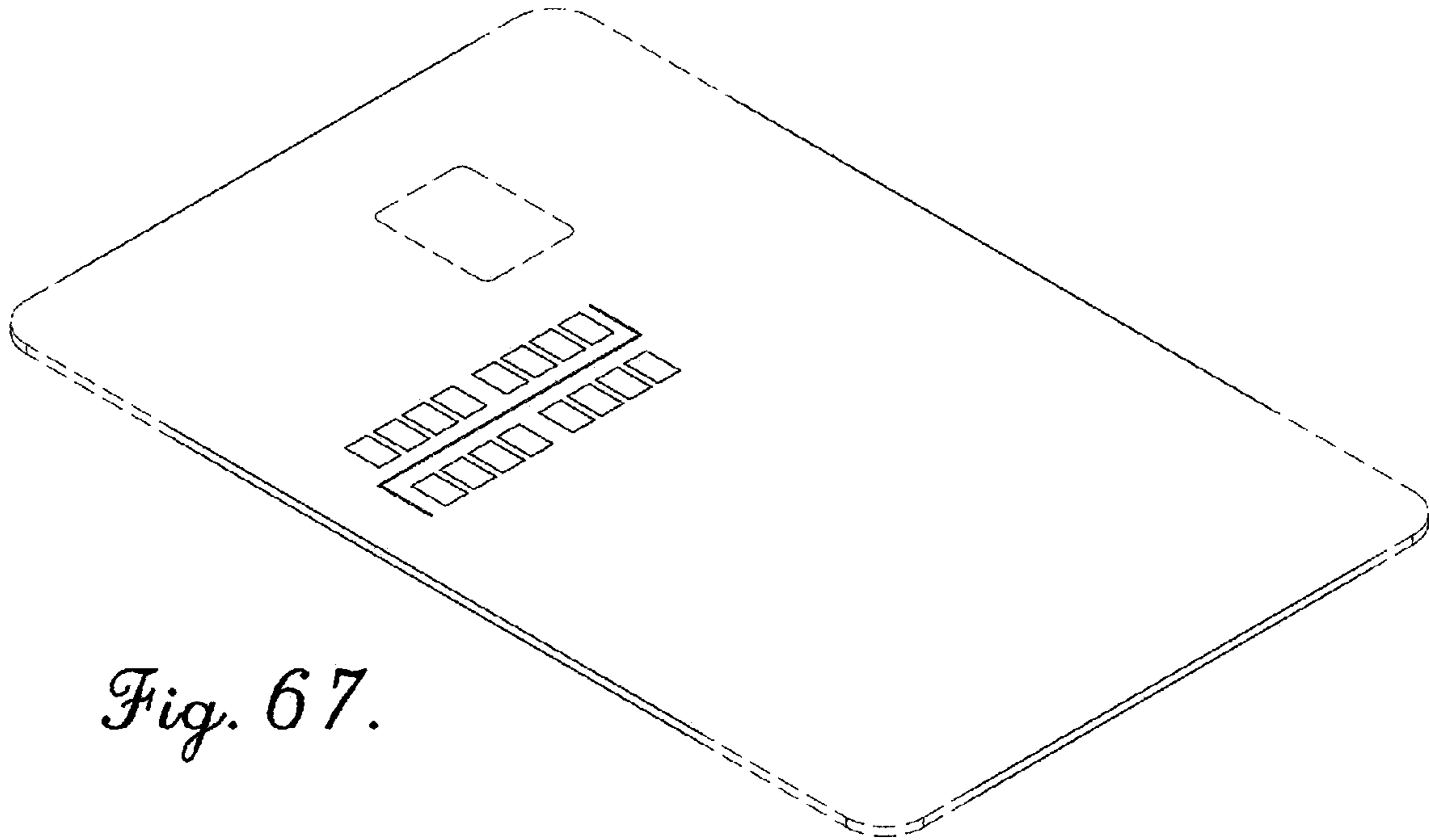


Fig. 67.

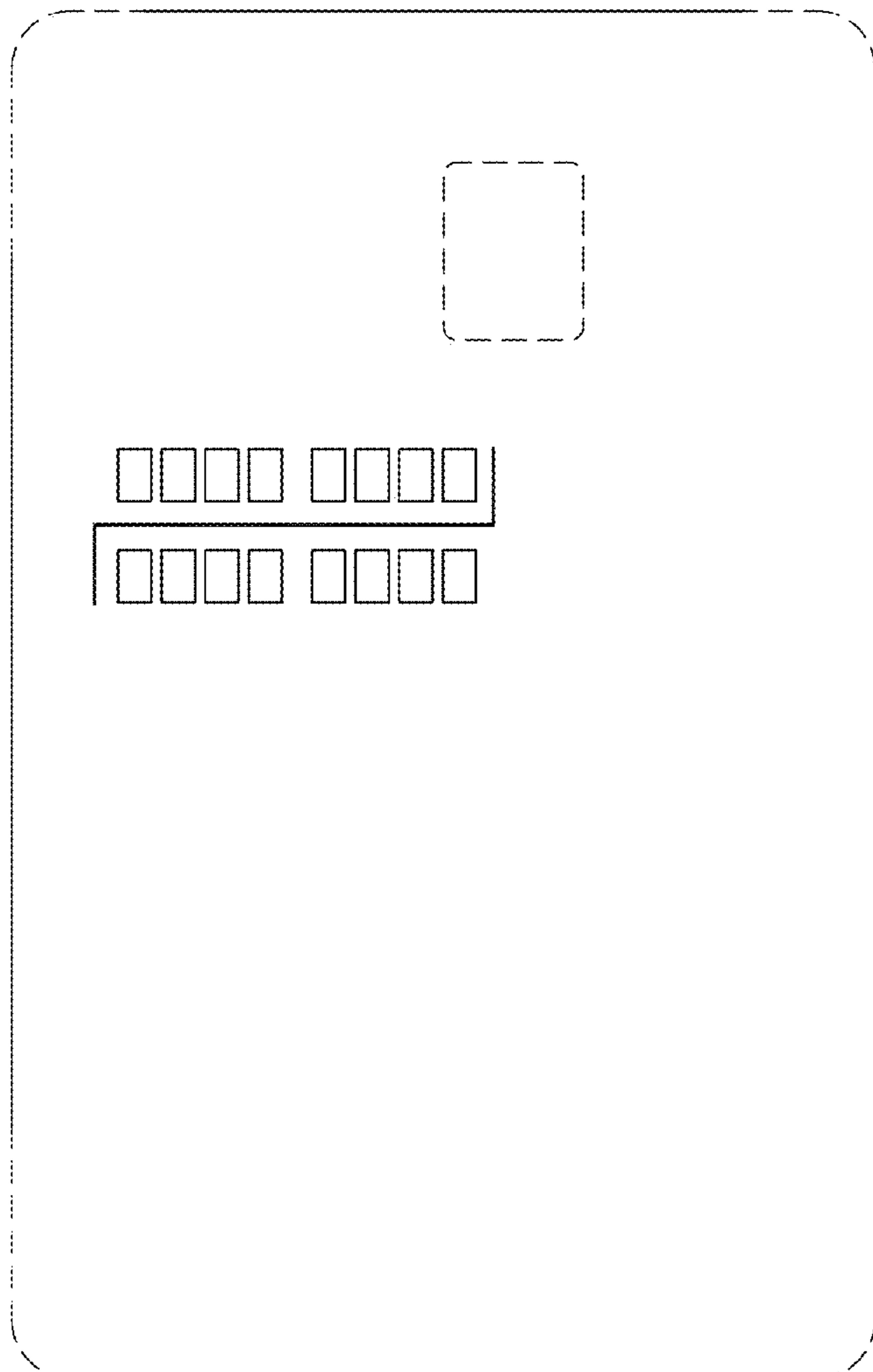


Fig. 68.

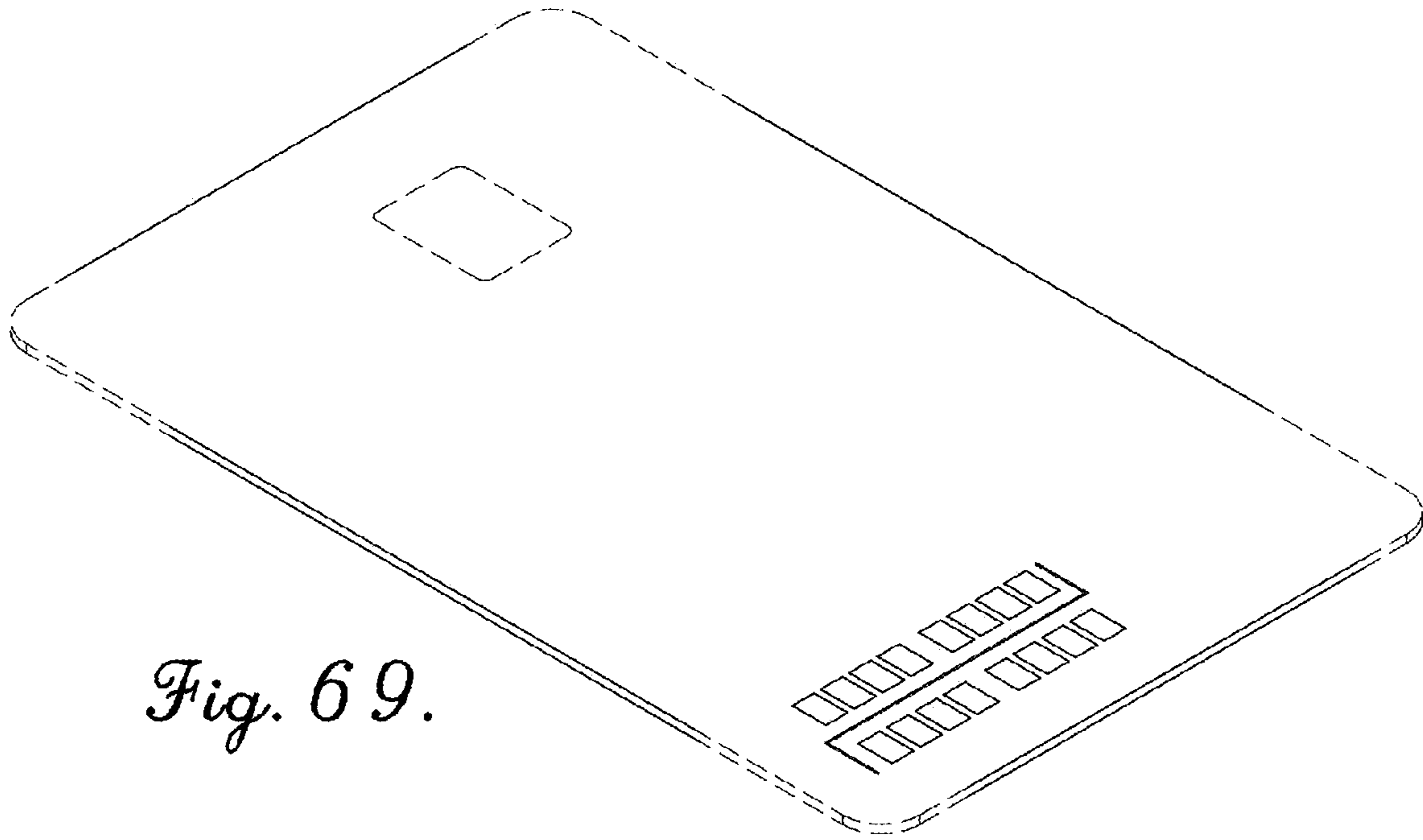


Fig. 69.

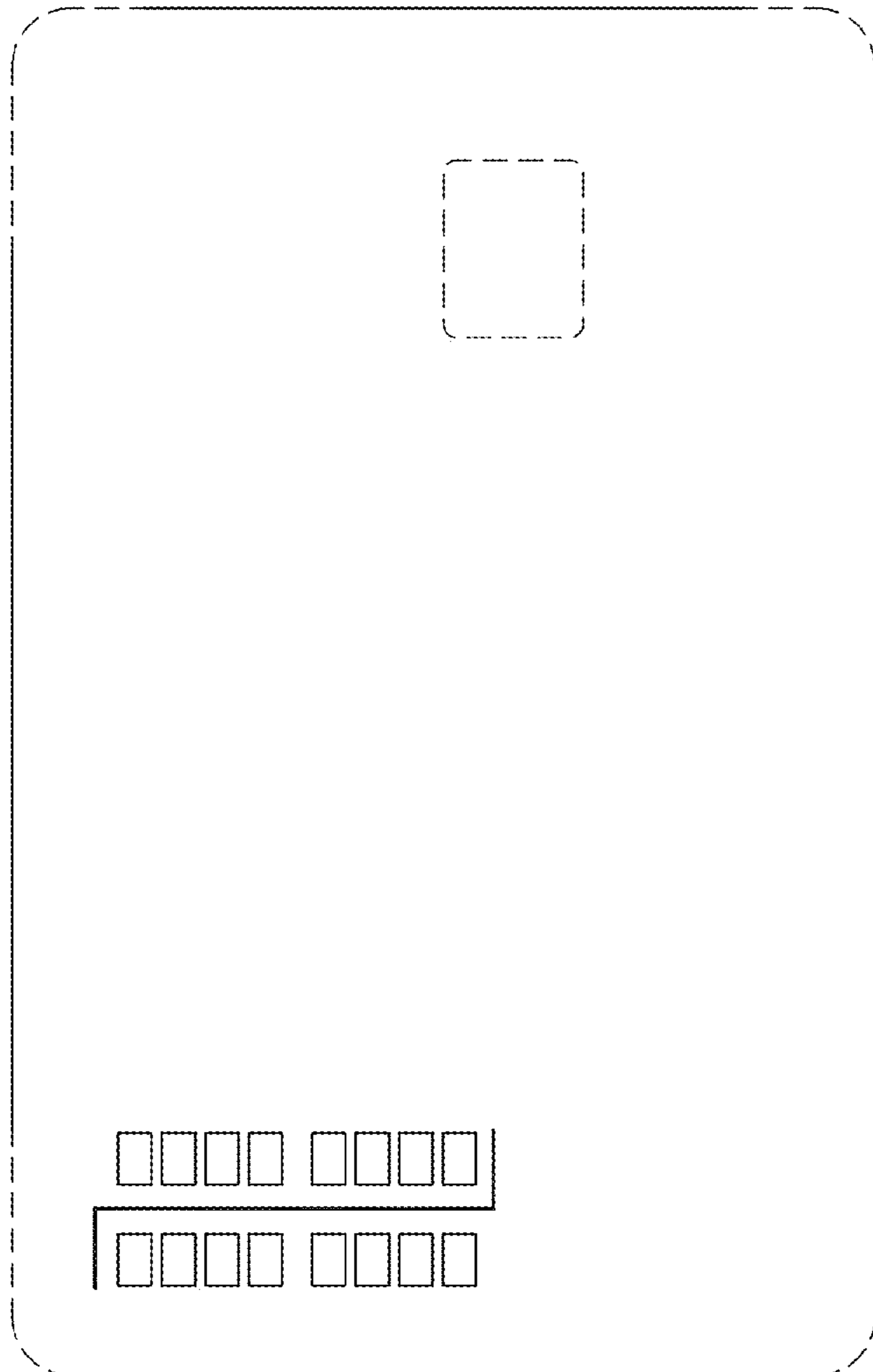


Fig. 70.

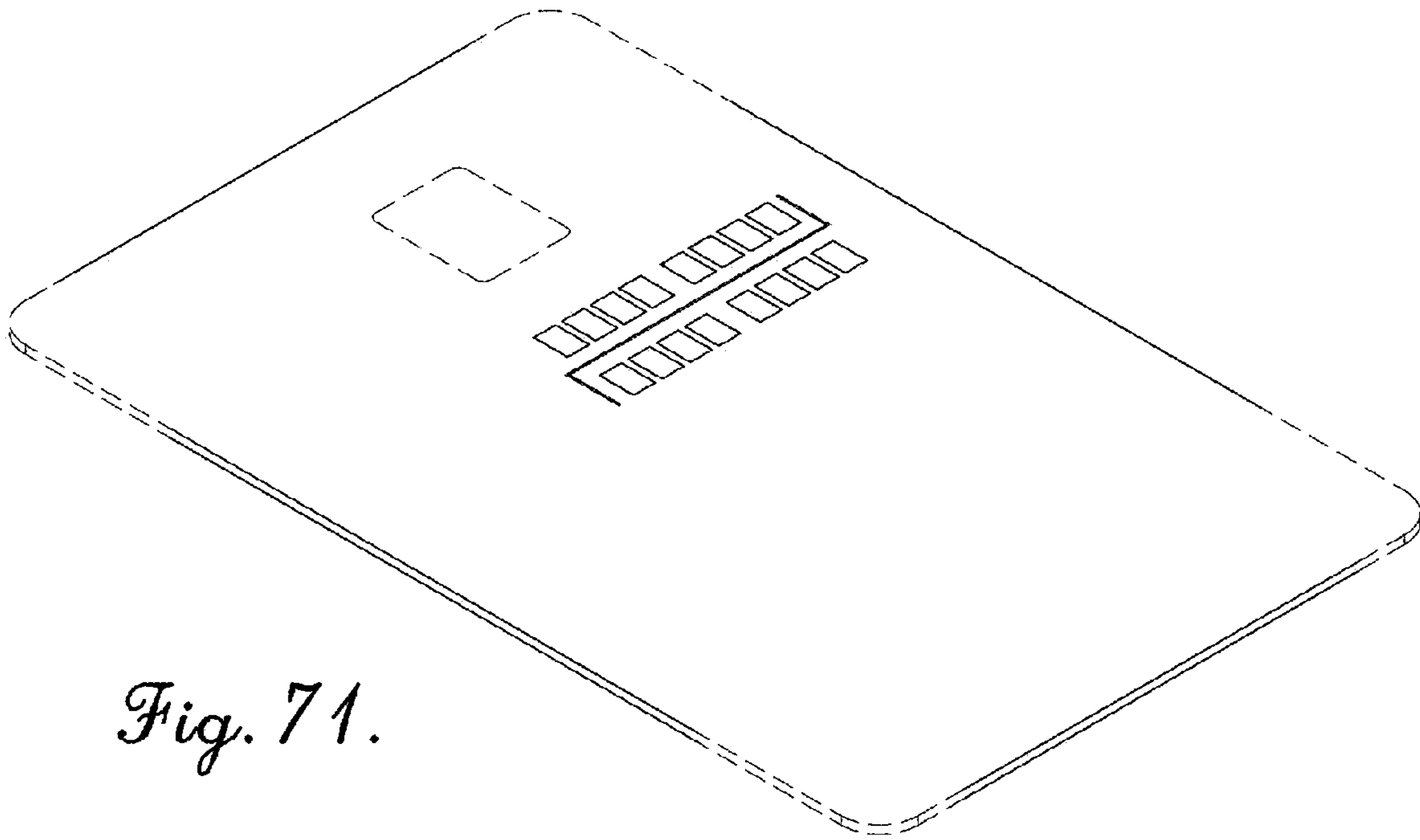


Fig. 71.

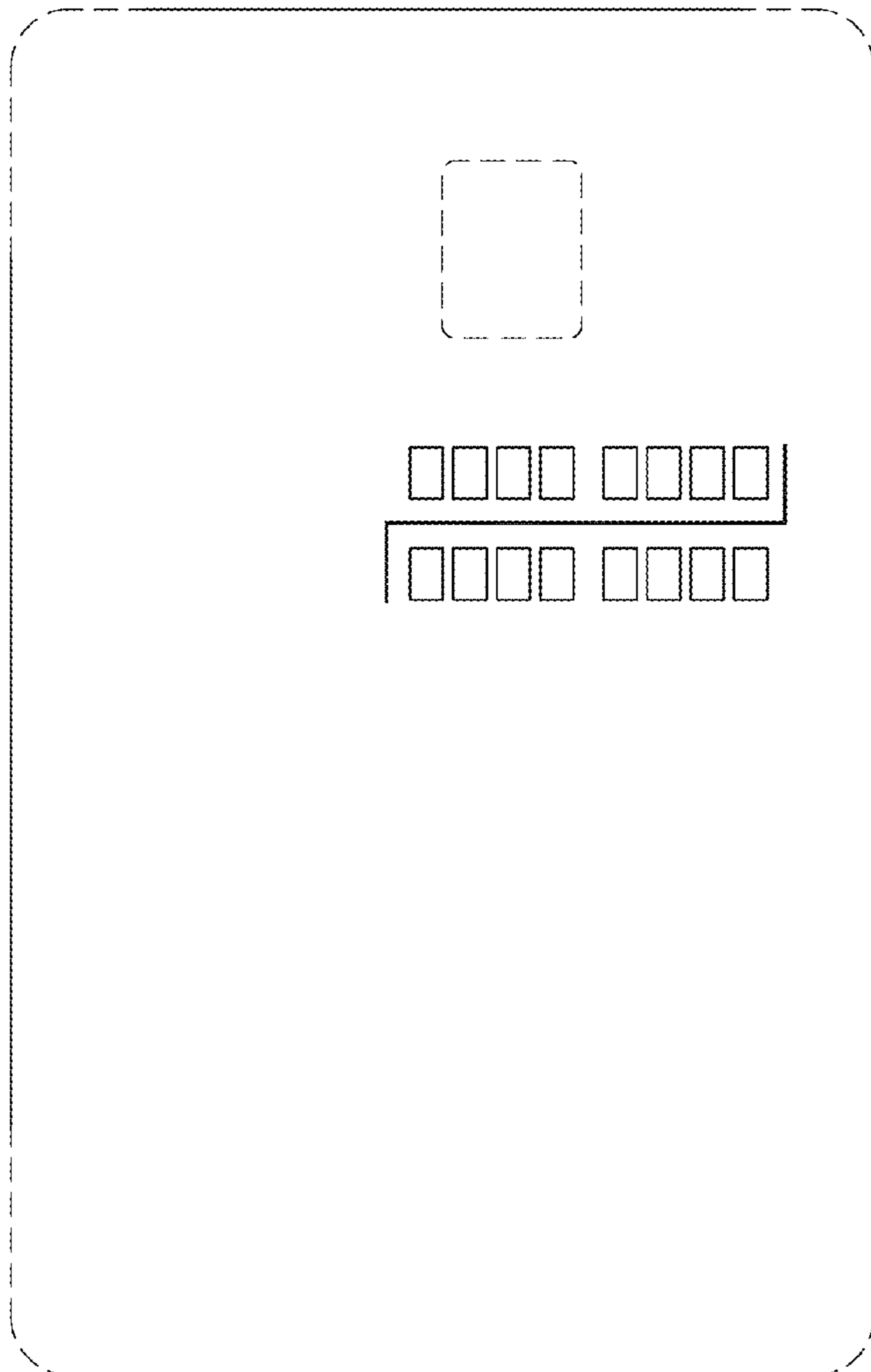


Fig. 72.

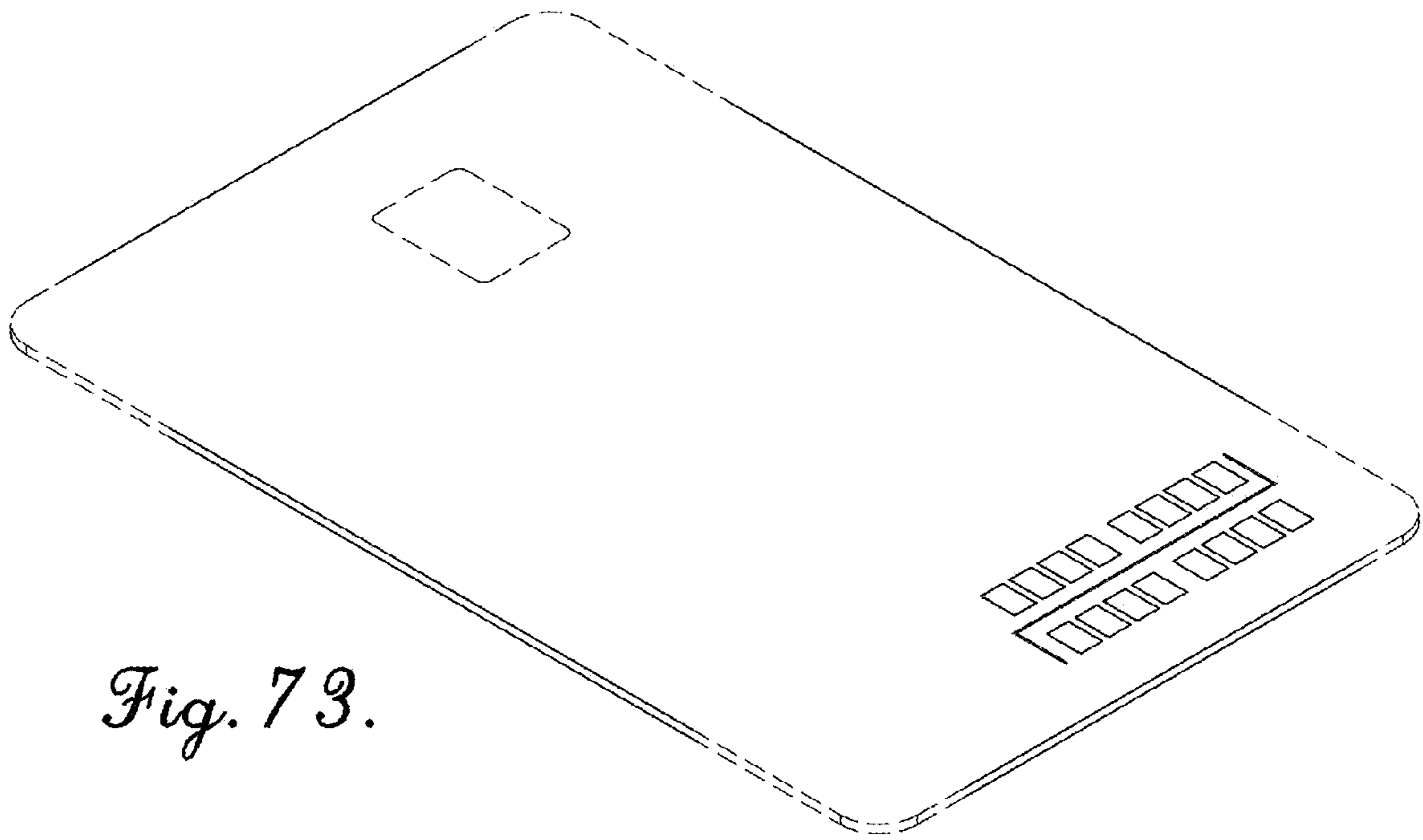


Fig. 73.

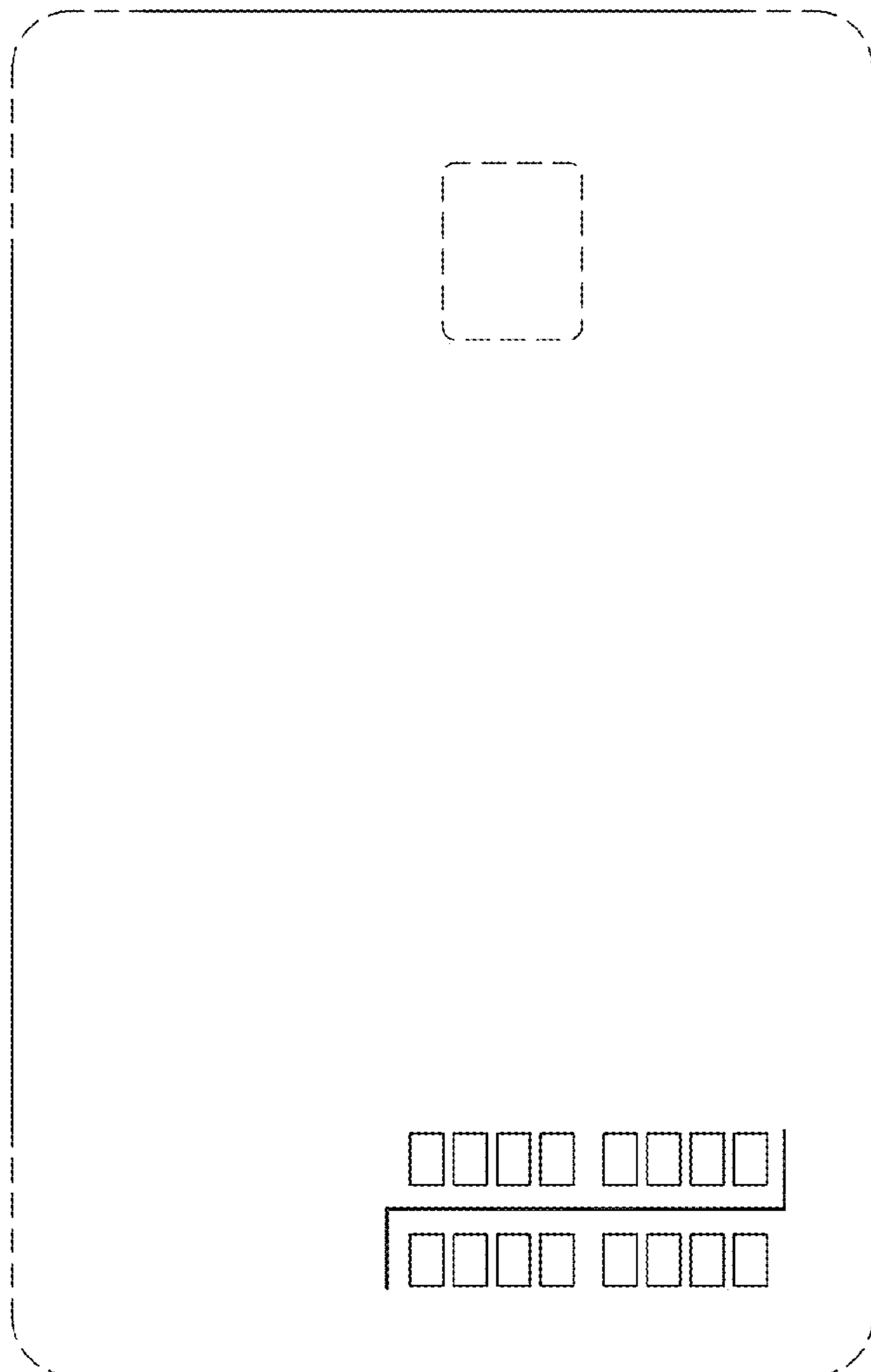


Fig. 74.

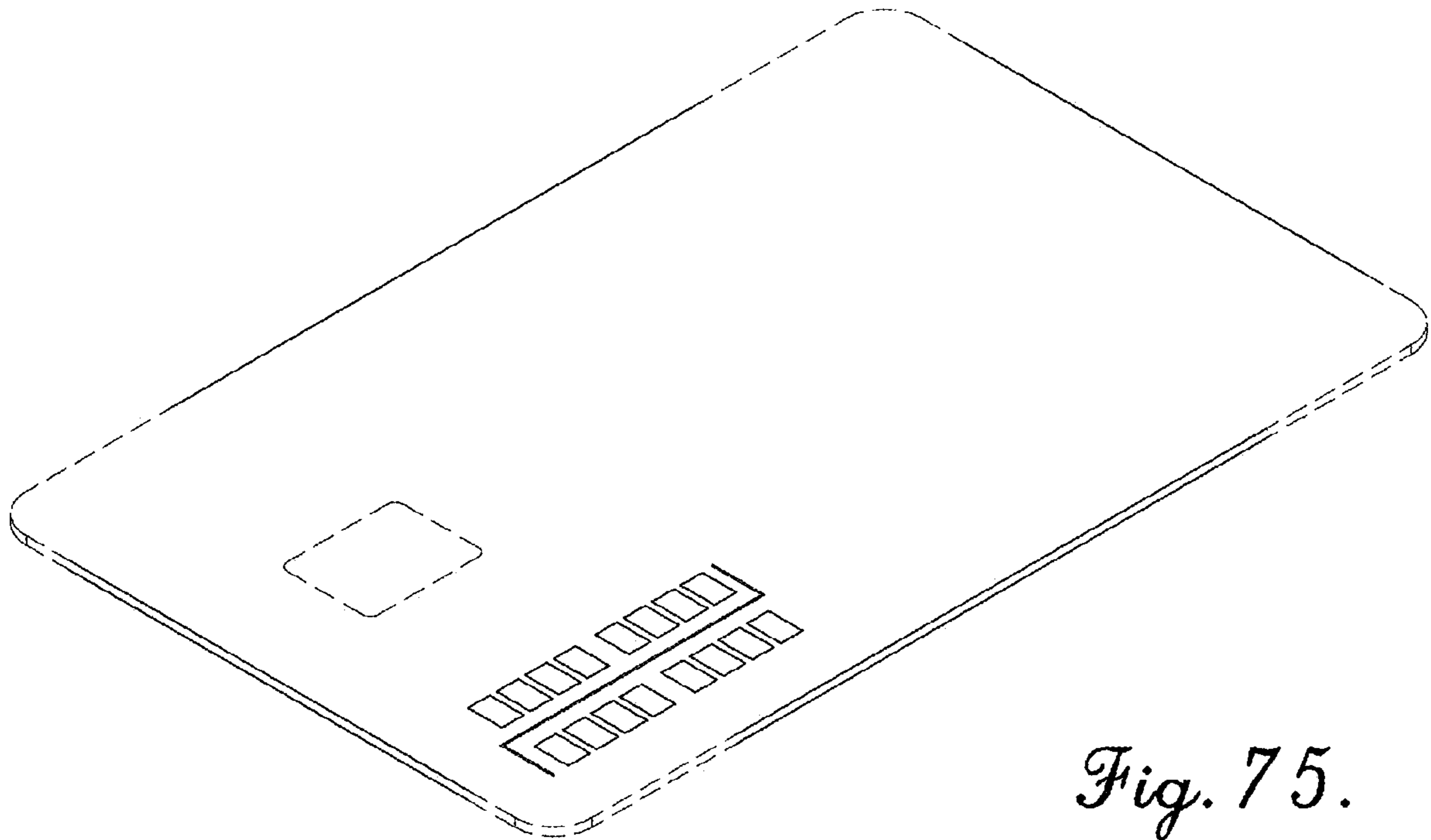


Fig. 75.

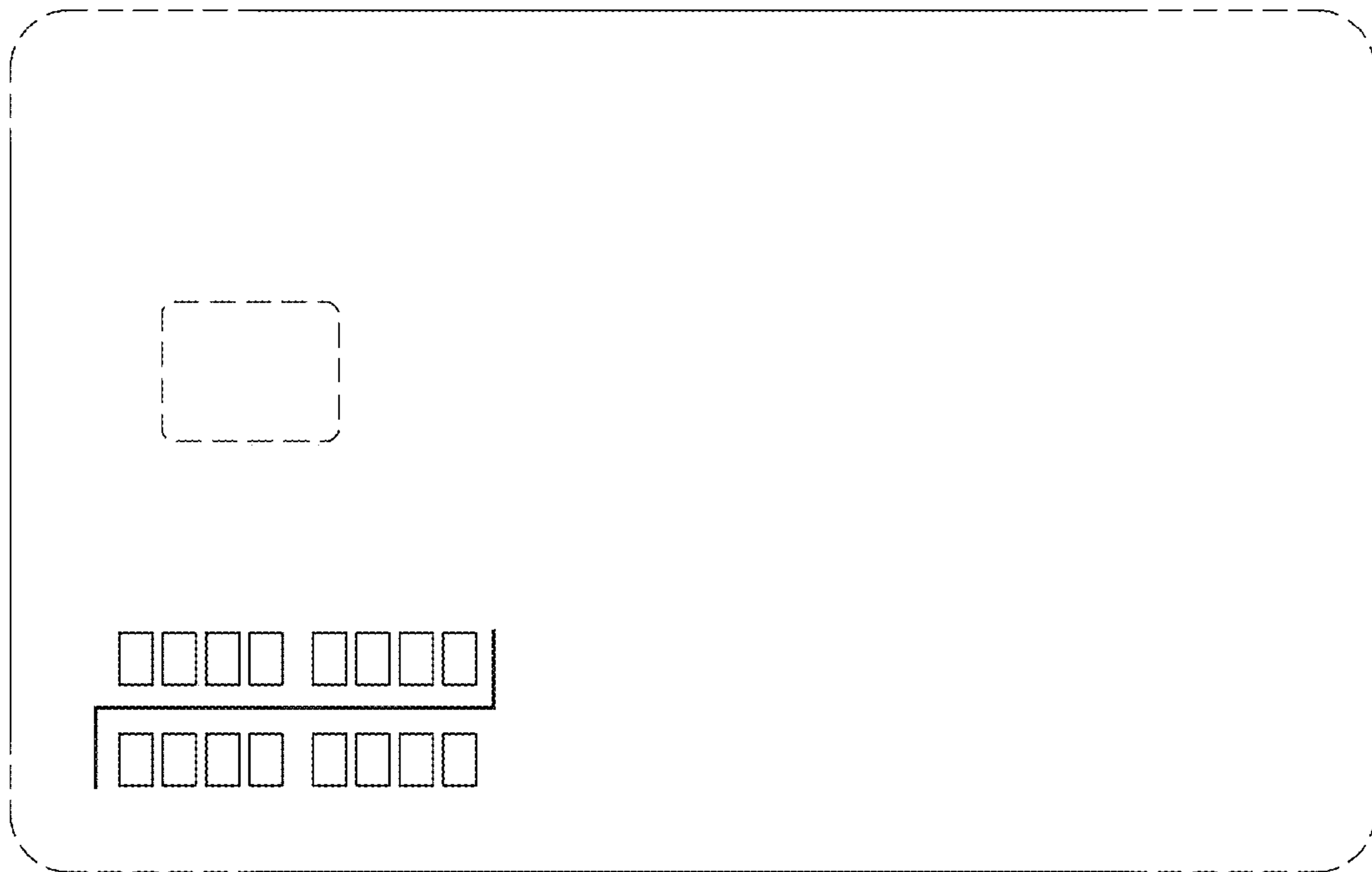


Fig. 76.

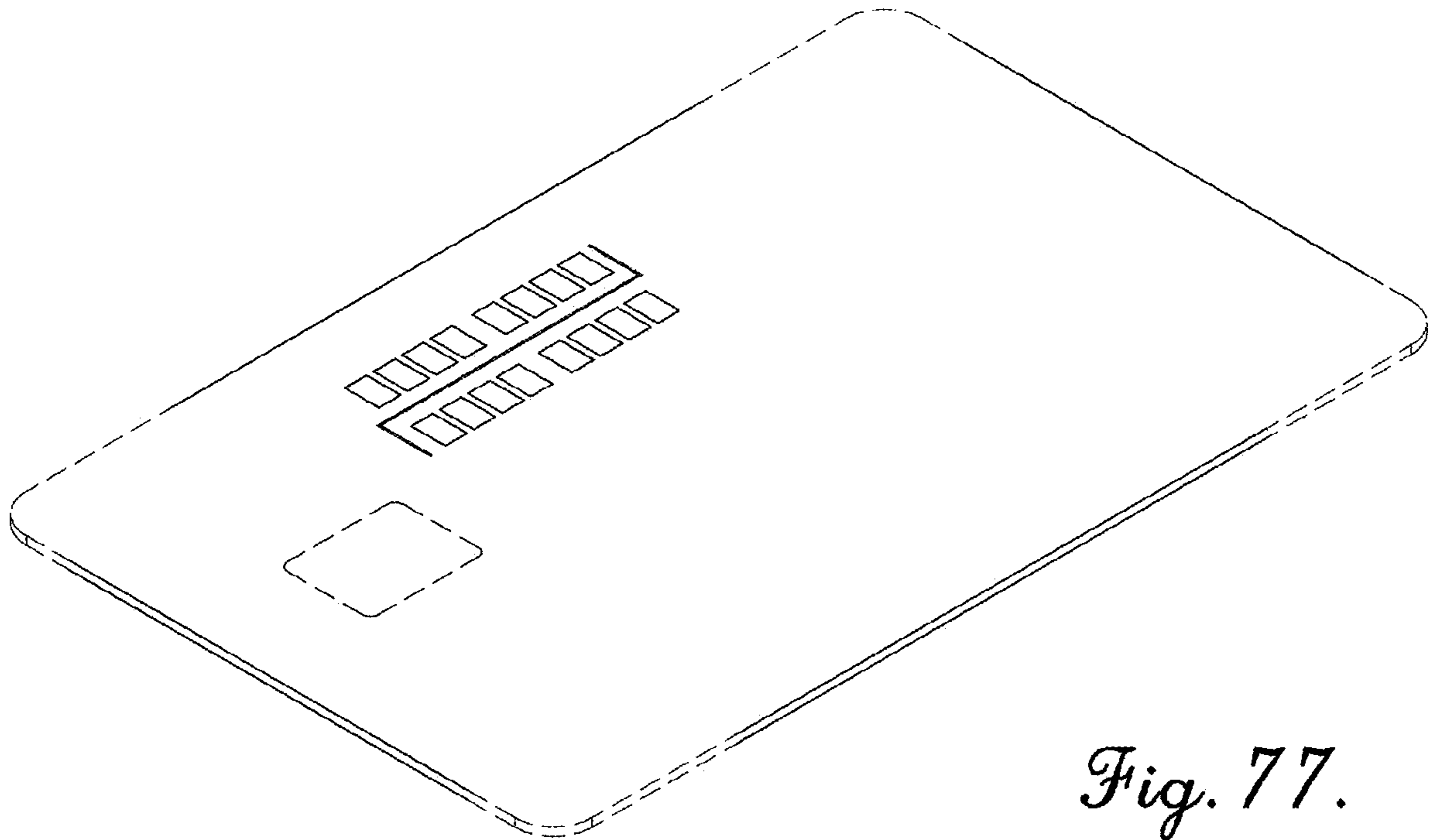


Fig. 77.

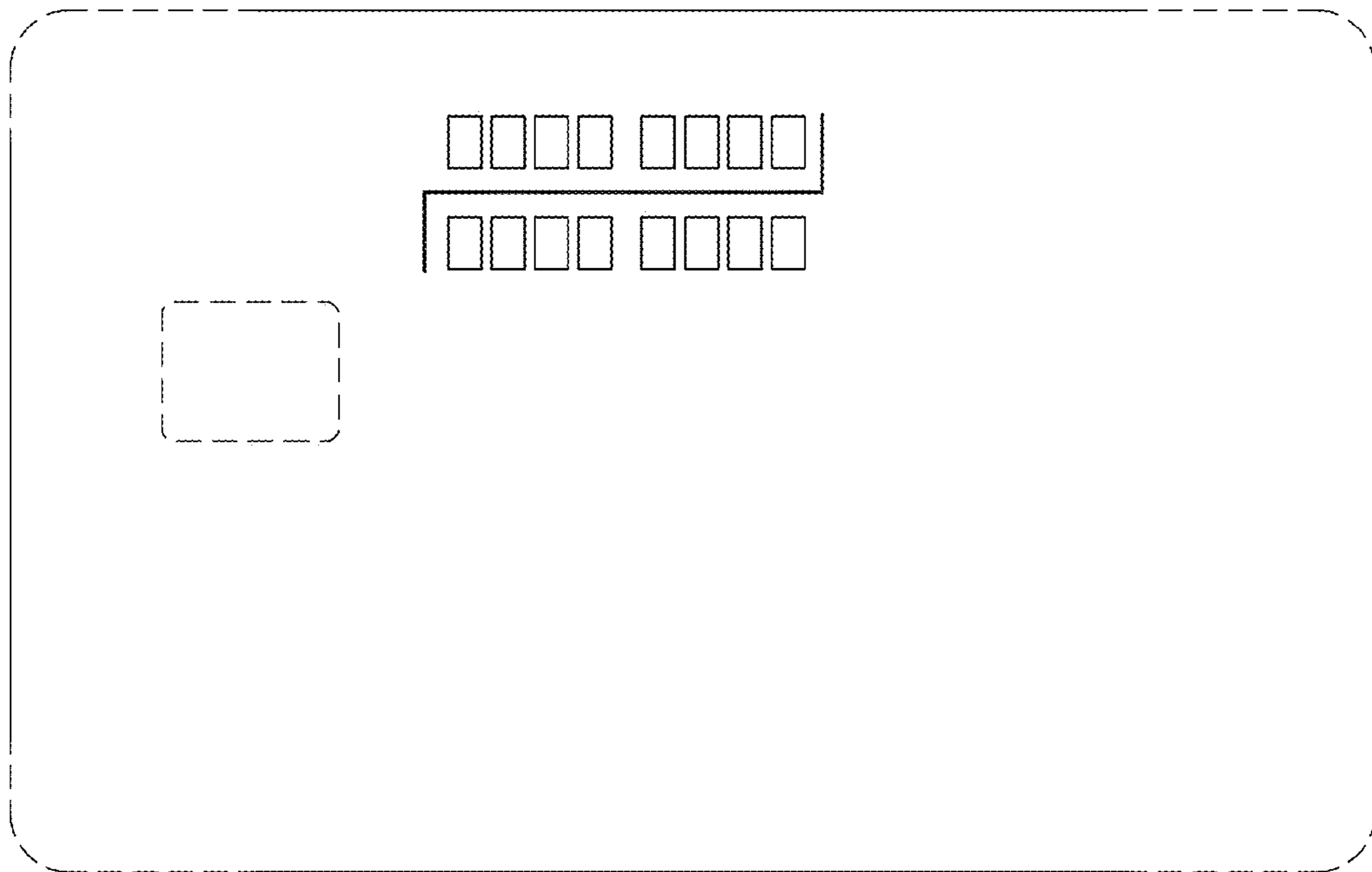


Fig. 78.

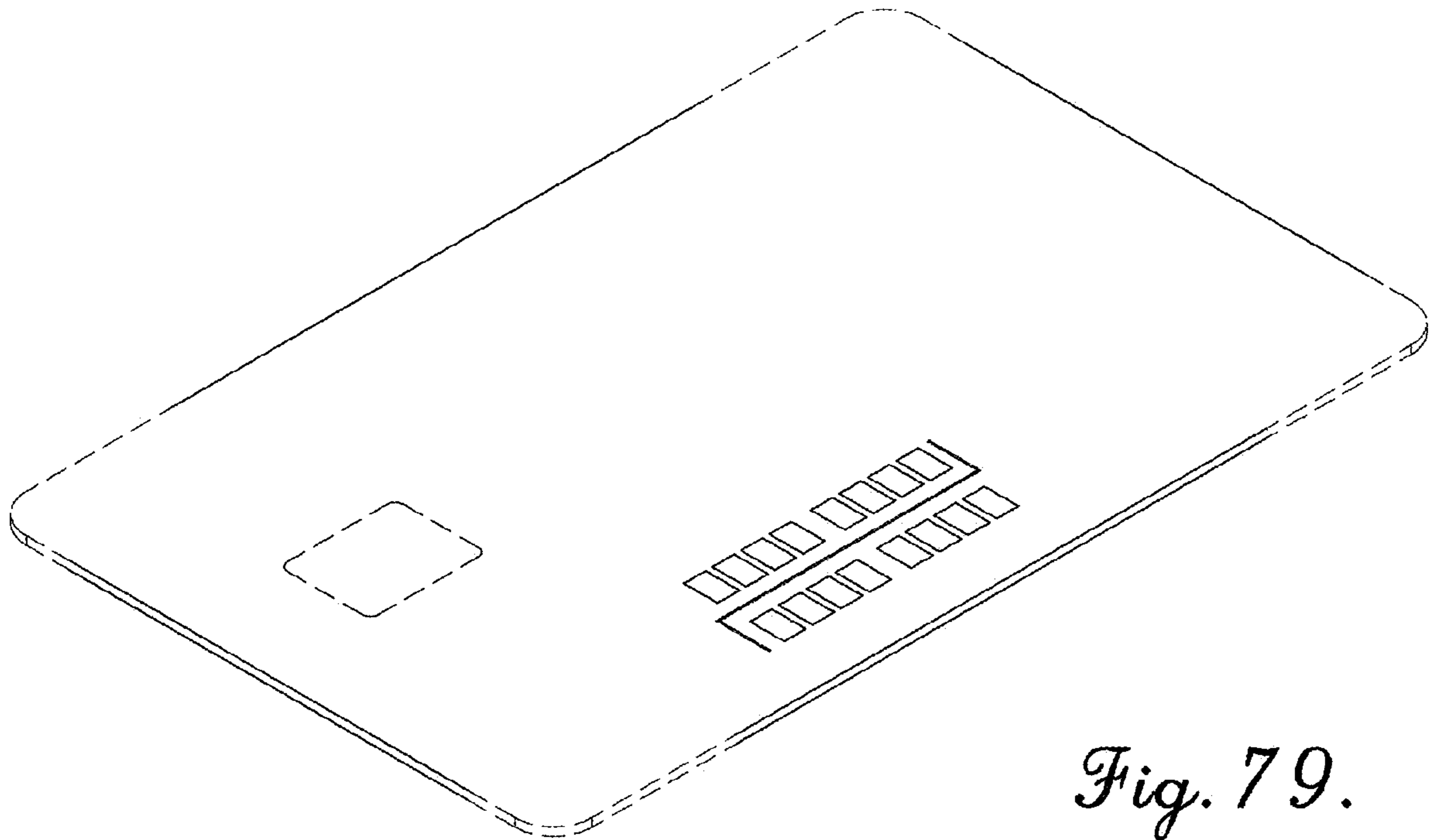


Fig. 79.

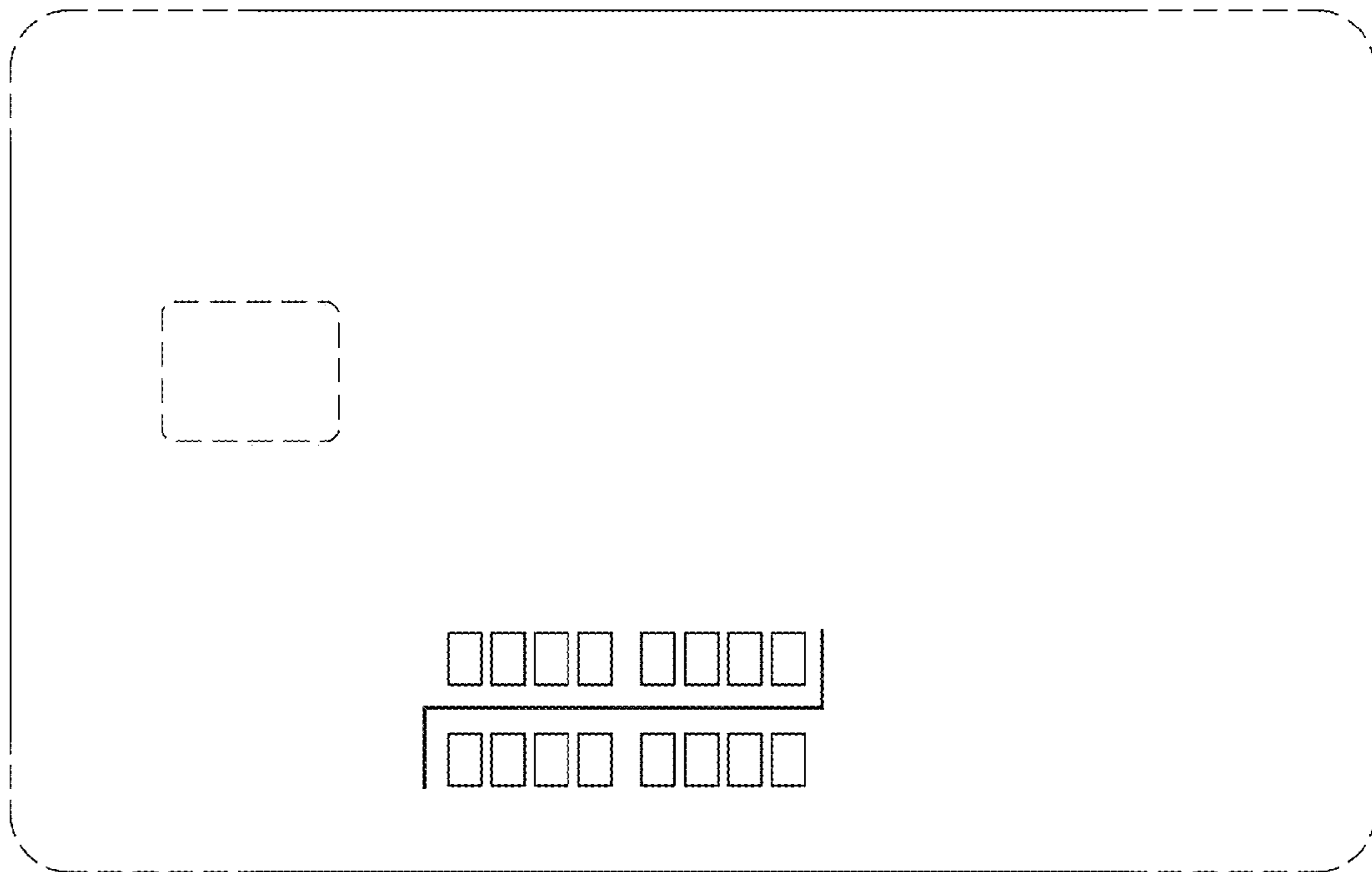


Fig. 80.

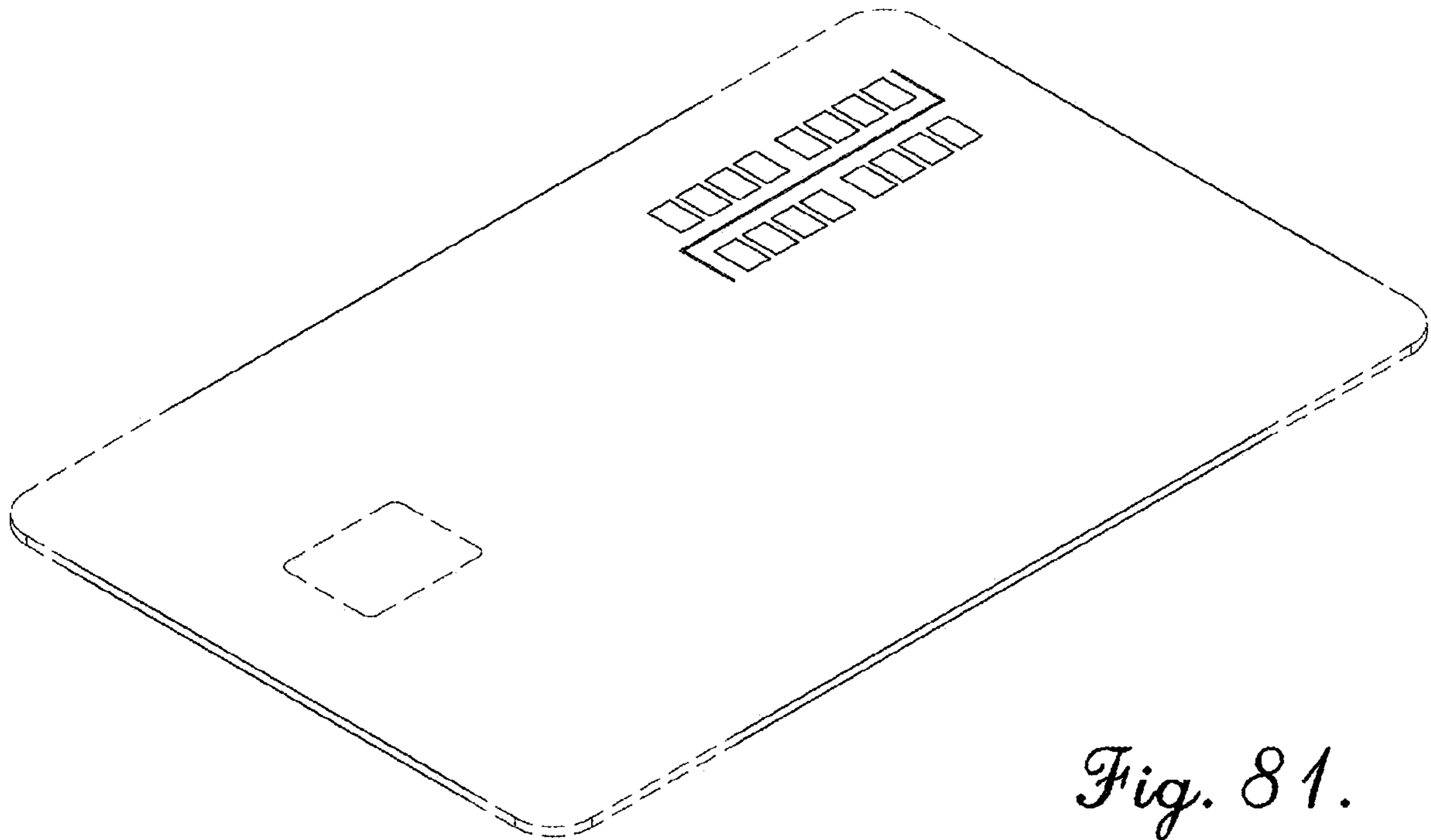


Fig. 81.

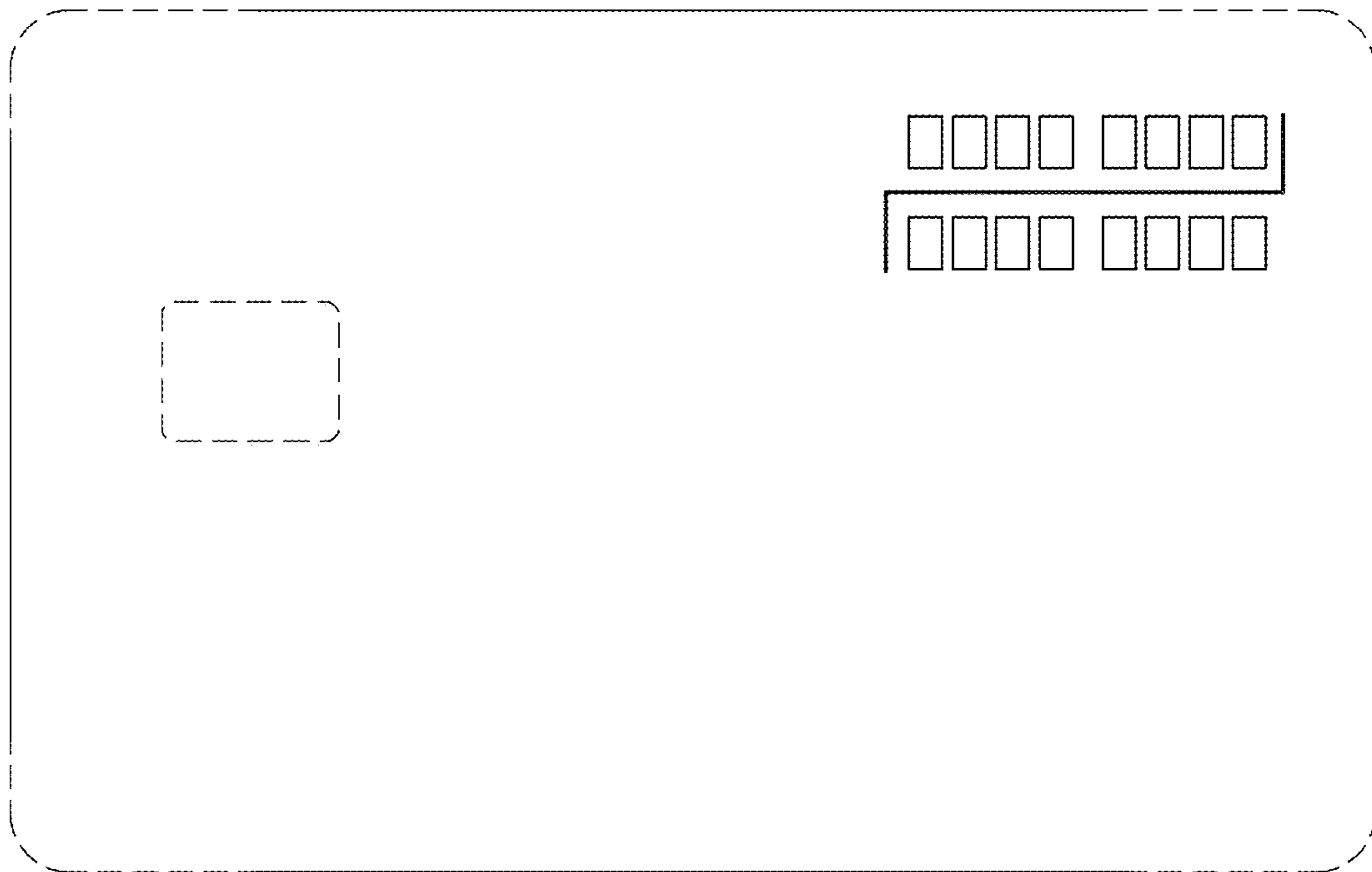


Fig. 82.

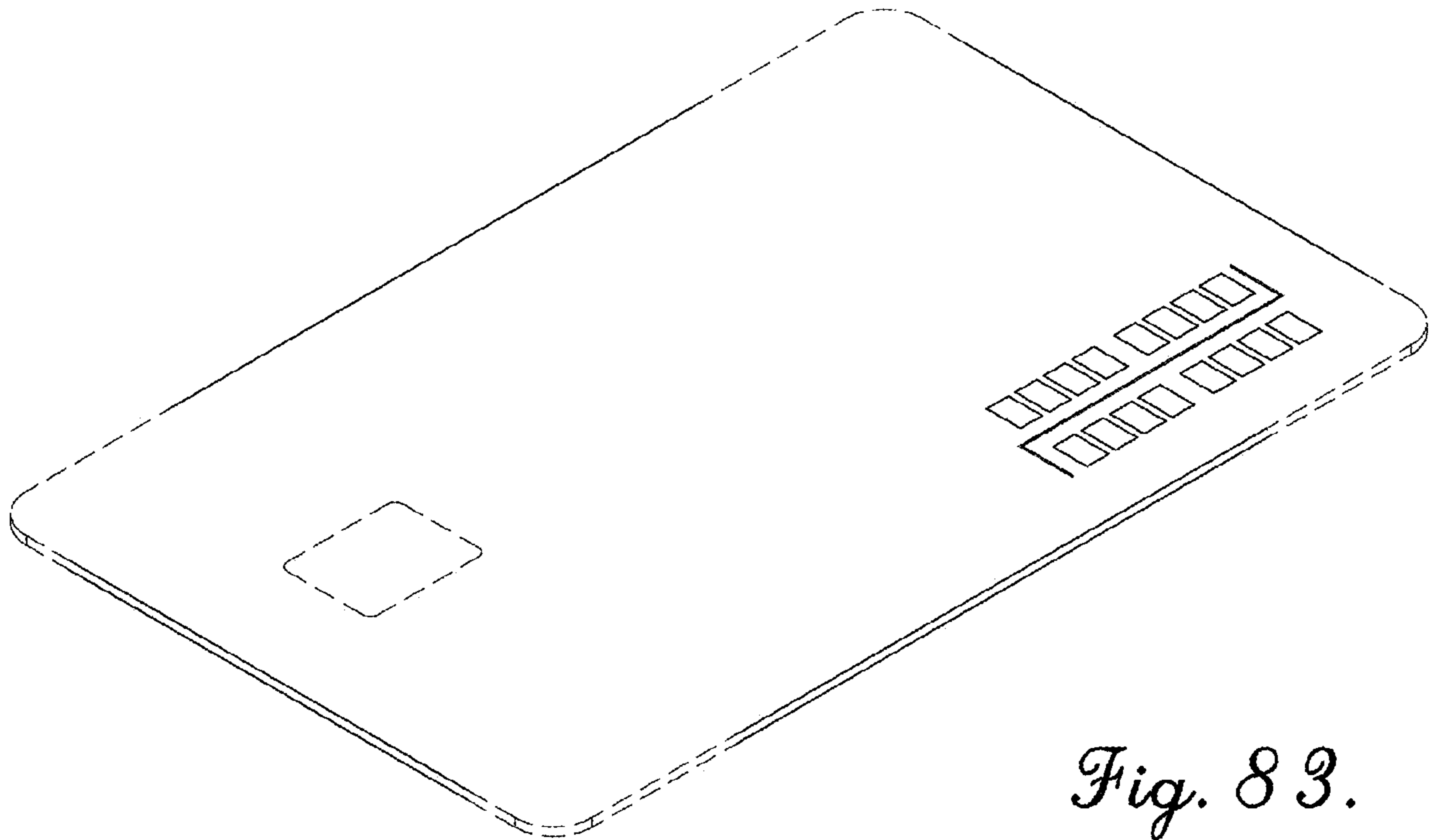


Fig. 83.

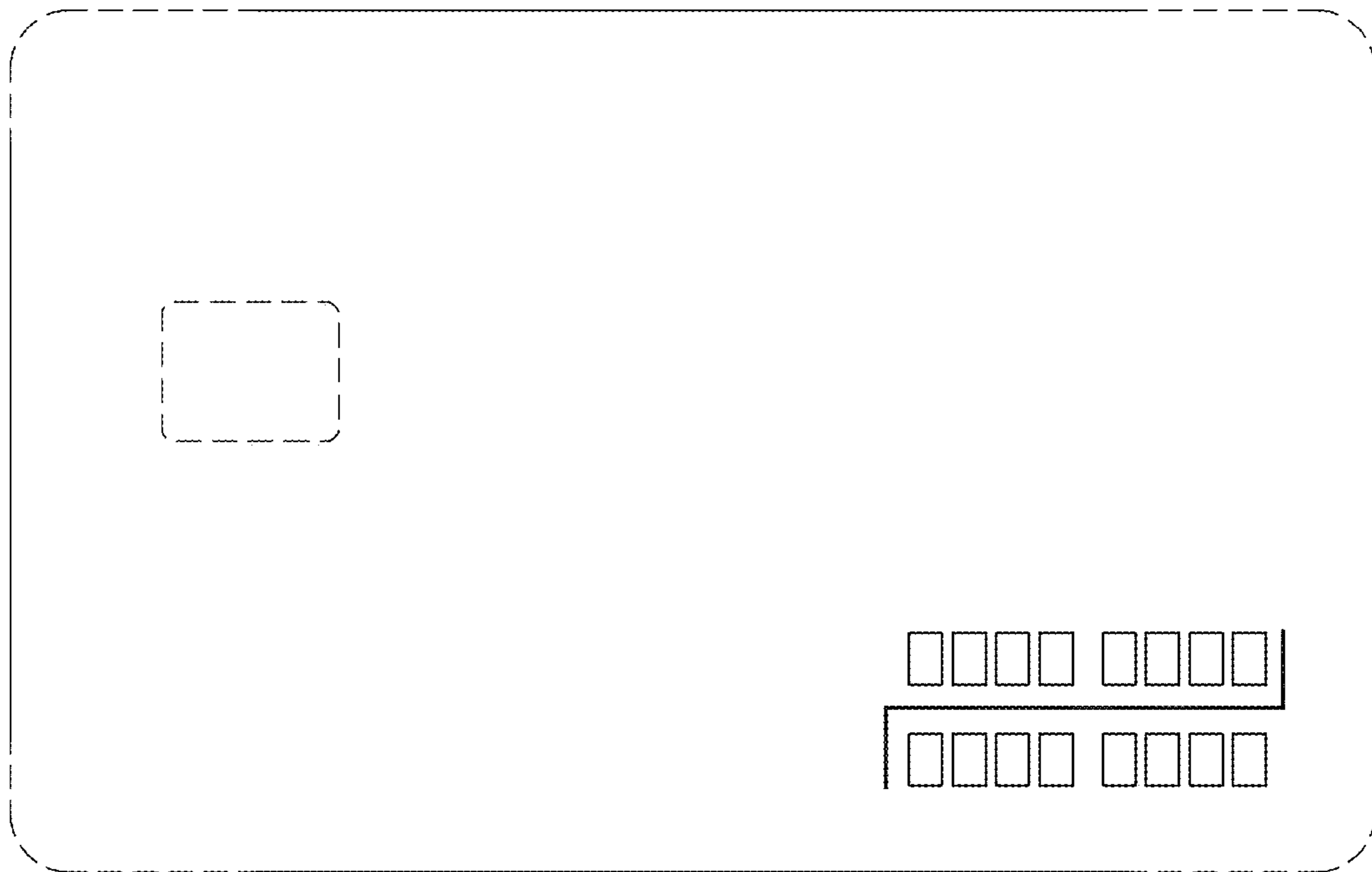


Fig. 84.