



US00D958236S

(12) **United States Design Patent** (10) **Patent No.:** **US D958,236 S**  
**Wu et al.** (45) **Date of Patent:** **\*\* Jul. 19, 2022**

(54) **3D PRINTER**

9,479,667 B1 \* 10/2016 Lee ..... H04N 1/047  
D792,487 S \* 7/2017 Cruz ..... D15/122  
D835,690 S \* 12/2018 Issa ..... D15/122

(71) Applicant: **Shenzhen Anycubic Technology Co., Ltd., Shenzhen (CN)**

(Continued)

(72) Inventors: **Zijong Wu, Shenzhen (CN); Xin Ouyang, Shenzhen (CN)**

**FOREIGN PATENT DOCUMENTS**

CN 304081196 \* 3/2017  
IN 278030-0001 \* 10/2018

(73) Assignee: **Shenzhen Anycubic Technology Co., Ltd., Shenzhen (CN)**

**OTHER PUBLICATIONS**

(\*\*) Term: **15 Years**

Anycubic Vyper 3D Printer, p. 1, 2021, Facebook—29761548—  
<https://www.facebook.com/ANYCUBIC3dprinter/photos/1033584910380964> (Year: 2021).\*

(21) Appl. No.: **29/761,548**

(Continued)

(22) Filed: **Dec. 10, 2020**

(30) **Foreign Application Priority Data**

*Primary Examiner* — Jennifer L Rempfer

*Assistant Examiner* — Danielle Nichole Bowly

Nov. 9, 2020 (CN) ..... 202030674318.4

(74) *Attorney, Agent, or Firm* — True Shepherd LLC;  
Andrew C. Cheng

(51) **LOC (13) Cl.** ..... **18-02**

(52) **U.S. Cl.**

(57) **CLAIM**

USPC ..... **D18/50; D15/122**

The ornamental design for a 3D printer, as shown and described.

(58) **Field of Classification Search**

**DESCRIPTION**

USPC ... D18/4.1, 4.4, 4.6, 34.1, 6, 7, 14, 19, 34.3,  
D18/34.7, 34.8, 34.9, 36, 37, 38, 39, 46,  
D18/47, 48, 49, 50, 53, 54, 55, 56, 59;  
D14/300, 301, 302, 303, 307, 308, 314,  
D14/321, 365, 445, 446; D15/122, 135,  
D15/138, 145, 146

FIG. 1 is a perspective view of a three dimensional printer showing my new design;  
FIG. 2 is a front view thereof;  
FIG. 3 is a rear view thereof;  
FIG. 4 is a left side view thereof;  
FIG. 5 is a right side view thereof;  
FIG. 6 is a top plan view thereof;  
FIG. 7 is a bottom plan view thereof;  
FIG. 8 is a partial enlarged view of portion A shown in FIG. 1; and,  
FIG. 9 is a partial enlarged view of portion B shown in FIG. 5.

CPC .... H04N 1/00278; B26D 1/045; B26D 1/065;  
B41J 15/044; B41J 2/1752; B41J 29/02;  
B41J 29/08; B41J 17/00; B41J 15/42;  
B41J 15/12; B41J 11/58; B41J 3/4075;  
B29C 47/12

See application file for complete search history.

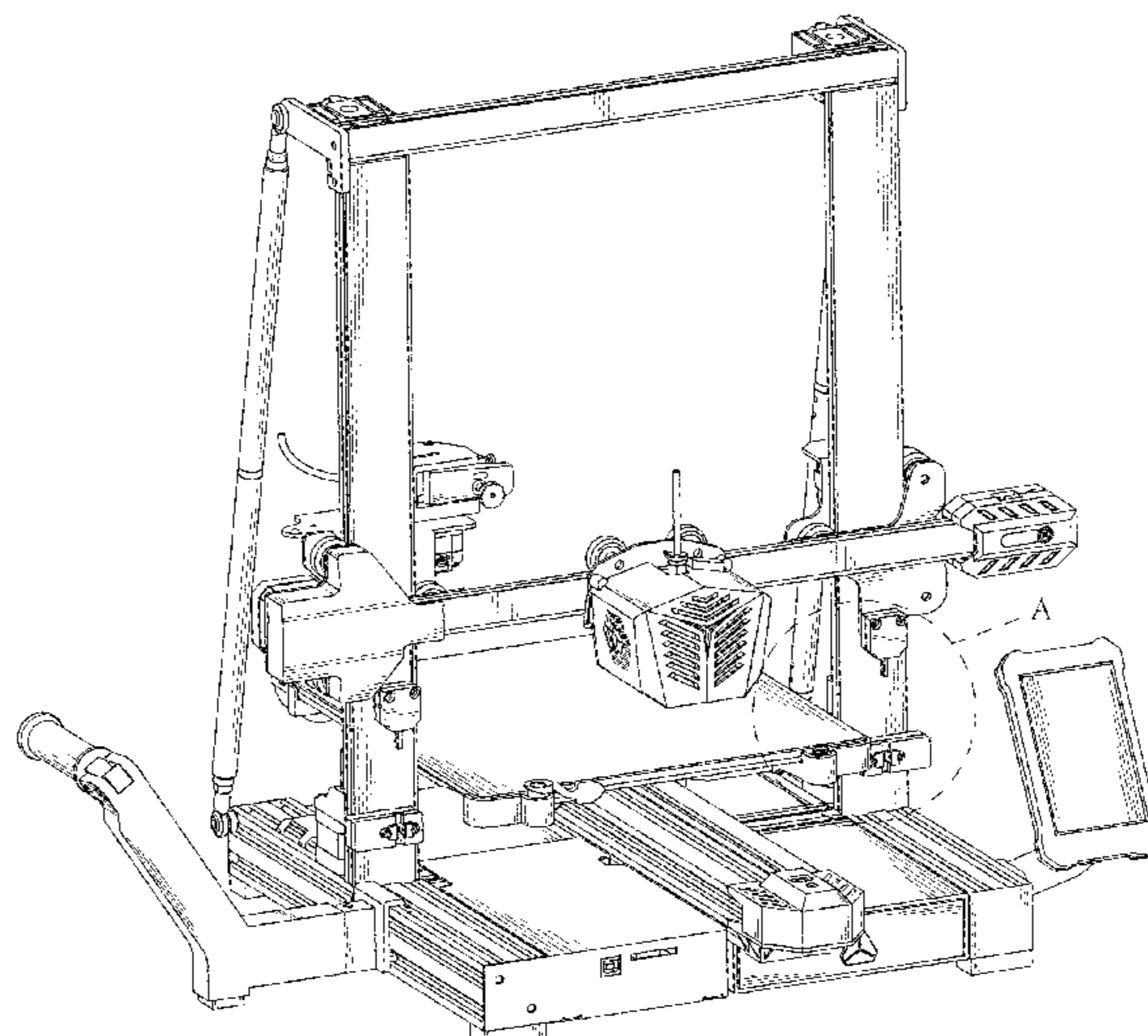
The broken lines depict portions of the 3D printer that form no part of the claimed design.

(56) **References Cited**

**U.S. PATENT DOCUMENTS**

**1 Claim, 8 Drawing Sheets**

D677,723 S \* 3/2013 Buel ..... D18/59  
D739,885 S \* 9/2015 Lee ..... D15/122  
D765,745 S \* 9/2016 Cheung ..... D15/122



(56)

**References Cited**

U.S. PATENT DOCUMENTS

D841,066	S *	2/2019	Kita	.....	D15/199
D861,747	S *	10/2019	Grip	.....	D15/122
D861,749	S *	10/2019	Besim	.....	D15/122
D899,471	S *	10/2020	Liu	.....	D15/122
D925,634	S *	7/2021	Liu	.....	D15/199
D933,723	S *	10/2021	Chen	.....	D15/122
11,167,408	B2 *	11/2021	Thomas	.....	B25J 9/0018
2009/0196703	A1 *	8/2009	Chen	.....	B44B 1/006
					409/219
2013/0071199	A1 *	3/2013	Chuang	.....	B23Q 3/102
					409/225
2016/0176108	A1 *	6/2016	Tadin	.....	B29C 64/106
					425/375
2019/0022933	A1 *	1/2019	Ho	.....	B33Y 30/00
2019/0061265	A1 *	2/2019	Ho	.....	B29C 64/386
2019/0212716	A1 *	7/2019	Lee	.....	B29C 64/30
2021/0112845	A1 *	4/2021	Fan	.....	A23L 5/15
2021/0206074	A1 *	7/2021	Lee	.....	B29C 64/25

OTHER PUBLICATIONS

Anycubic Vyper—Auto-Leveling 3D Printer—3D Printer Haus, p. 4—3dprinterhaus.com-29761548 (Year: 2021).\*

\* cited by examiner

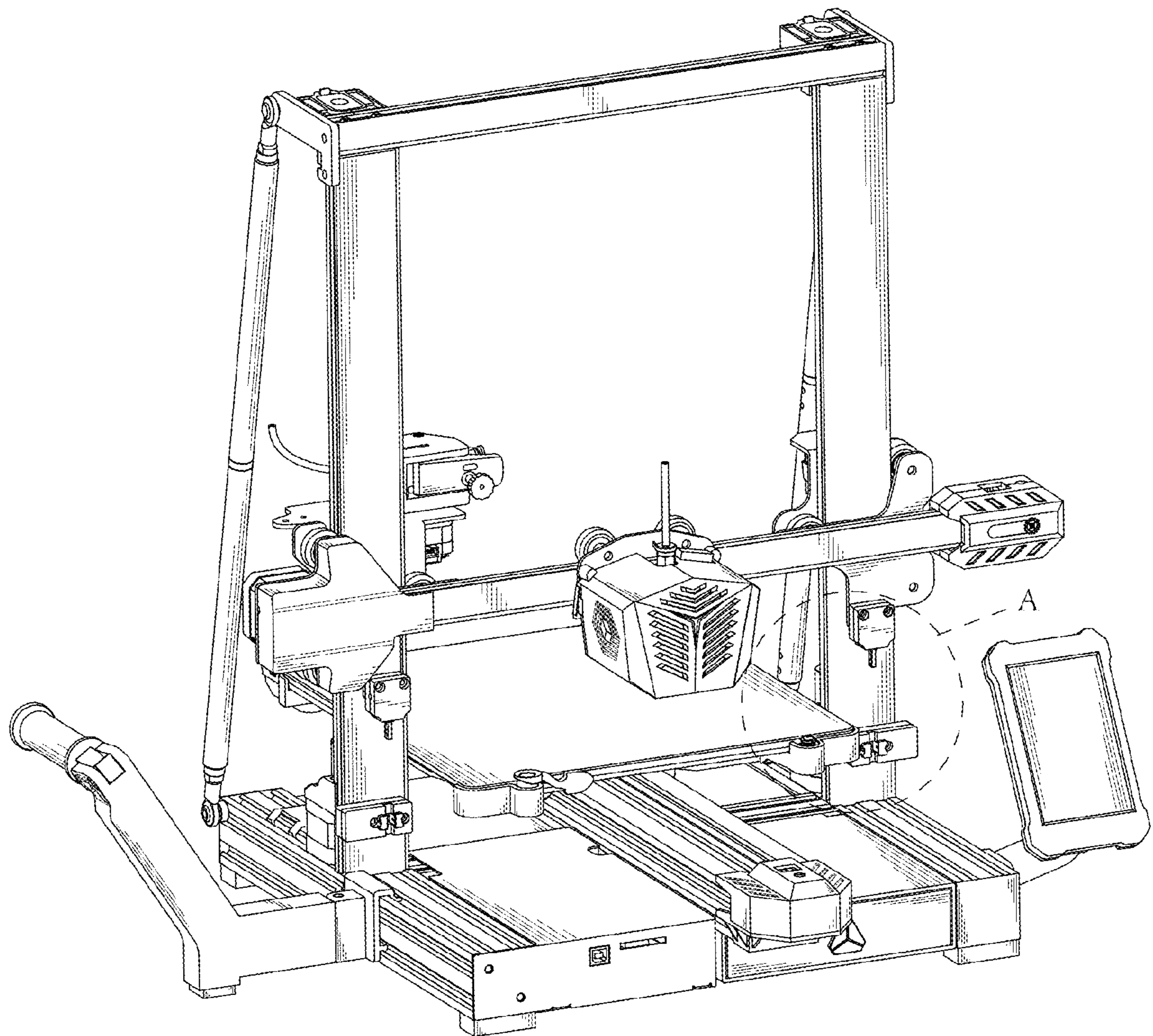


FIG. 1

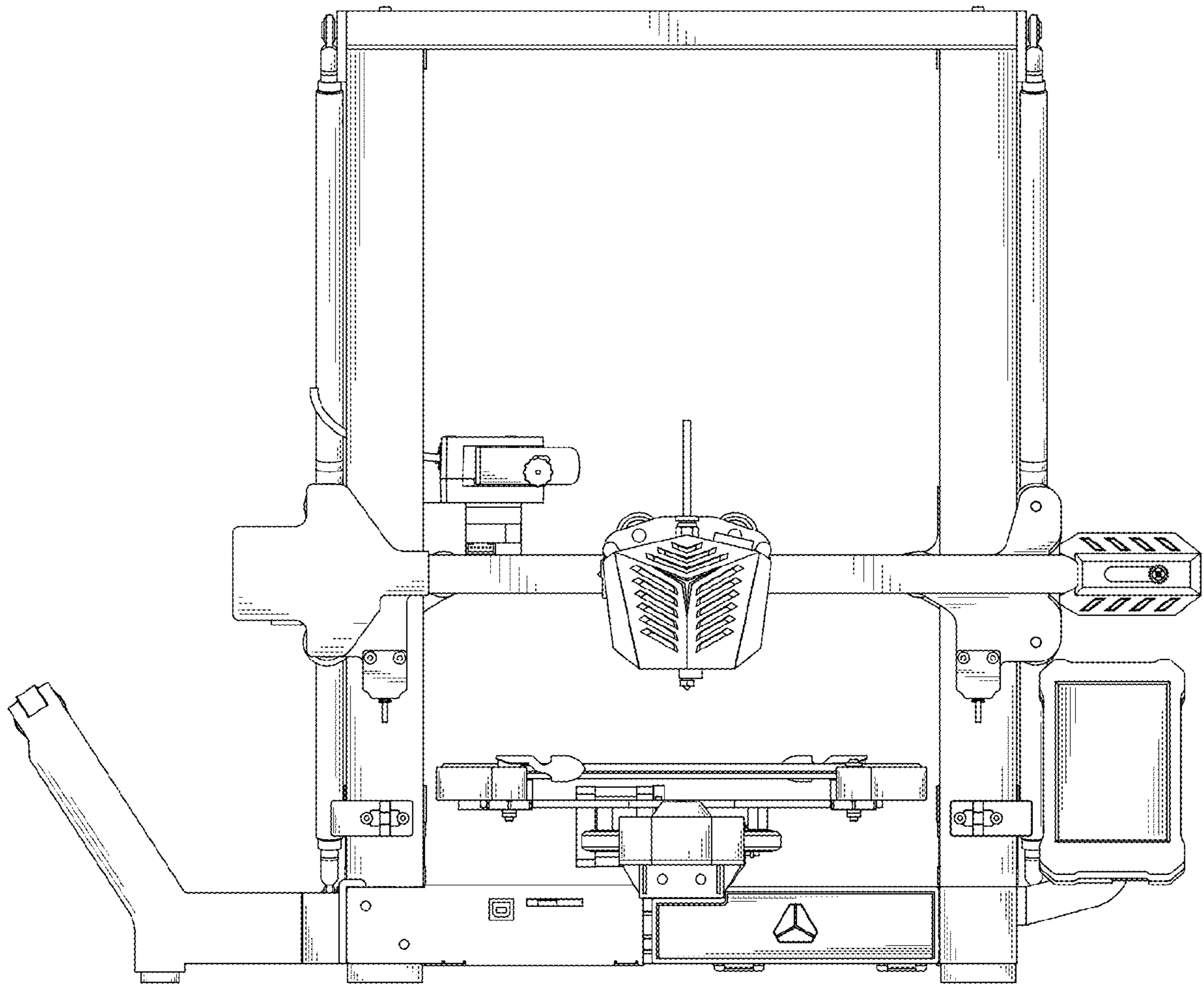


FIG. 2

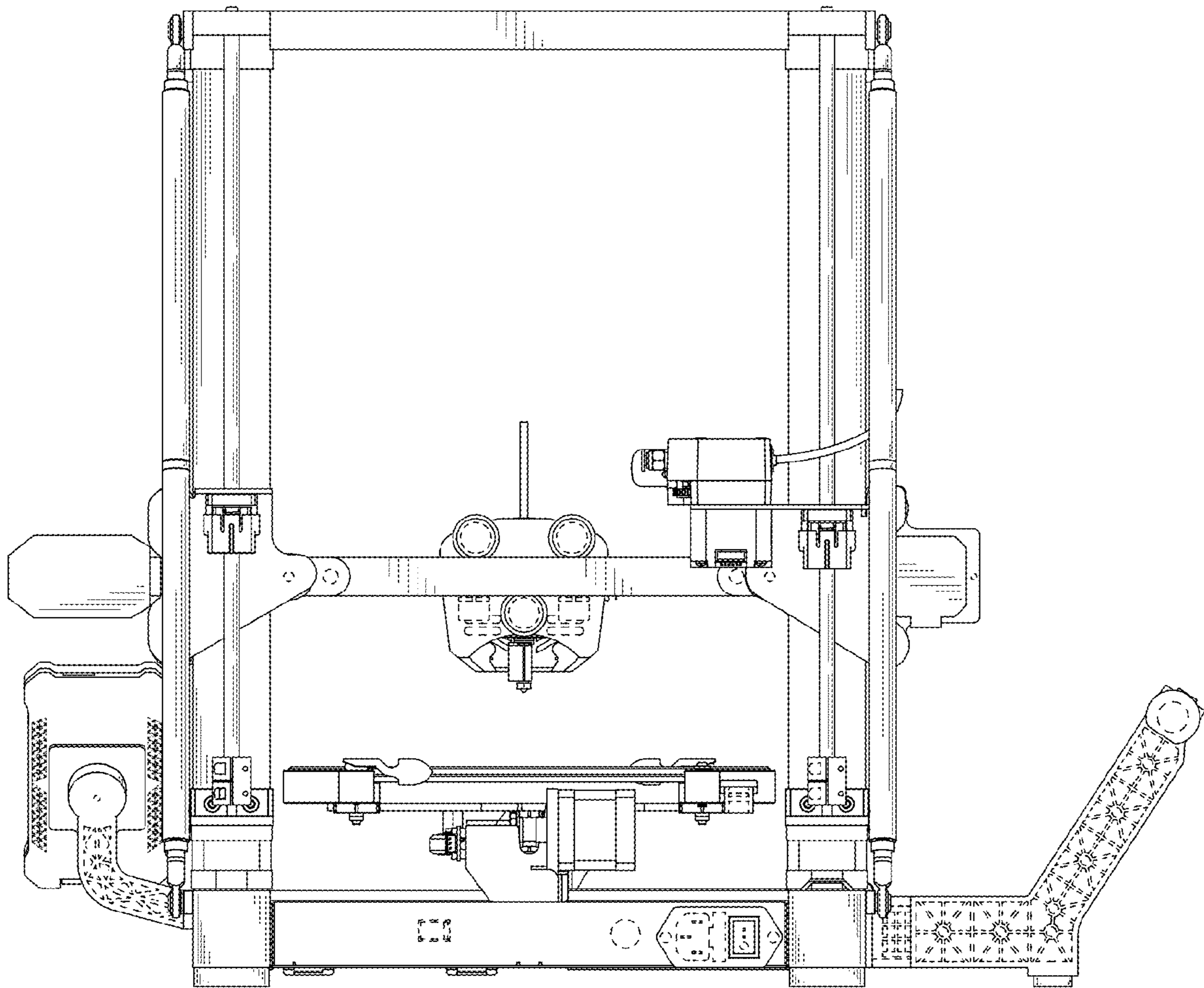


FIG. 3

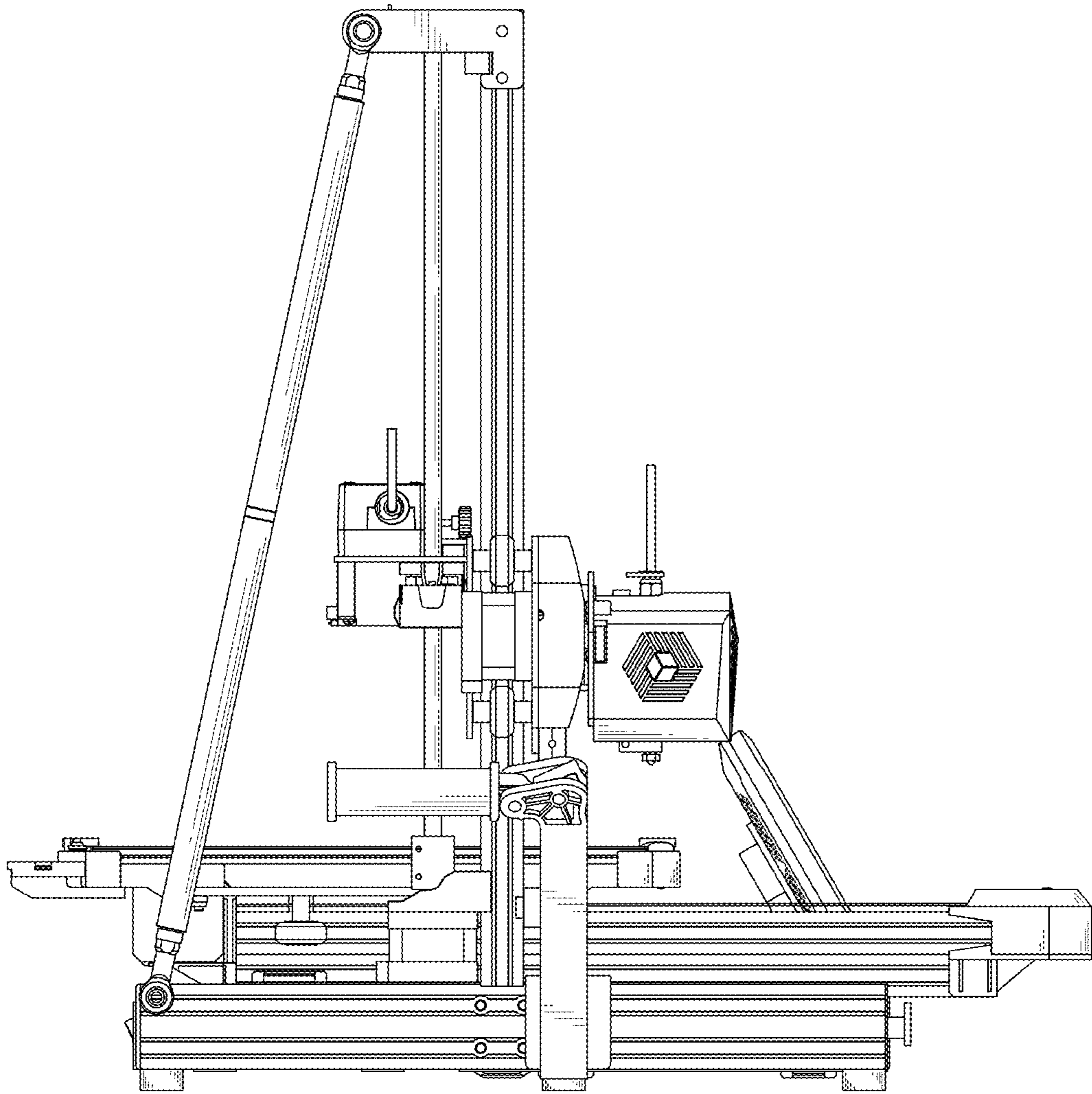


FIG. 4

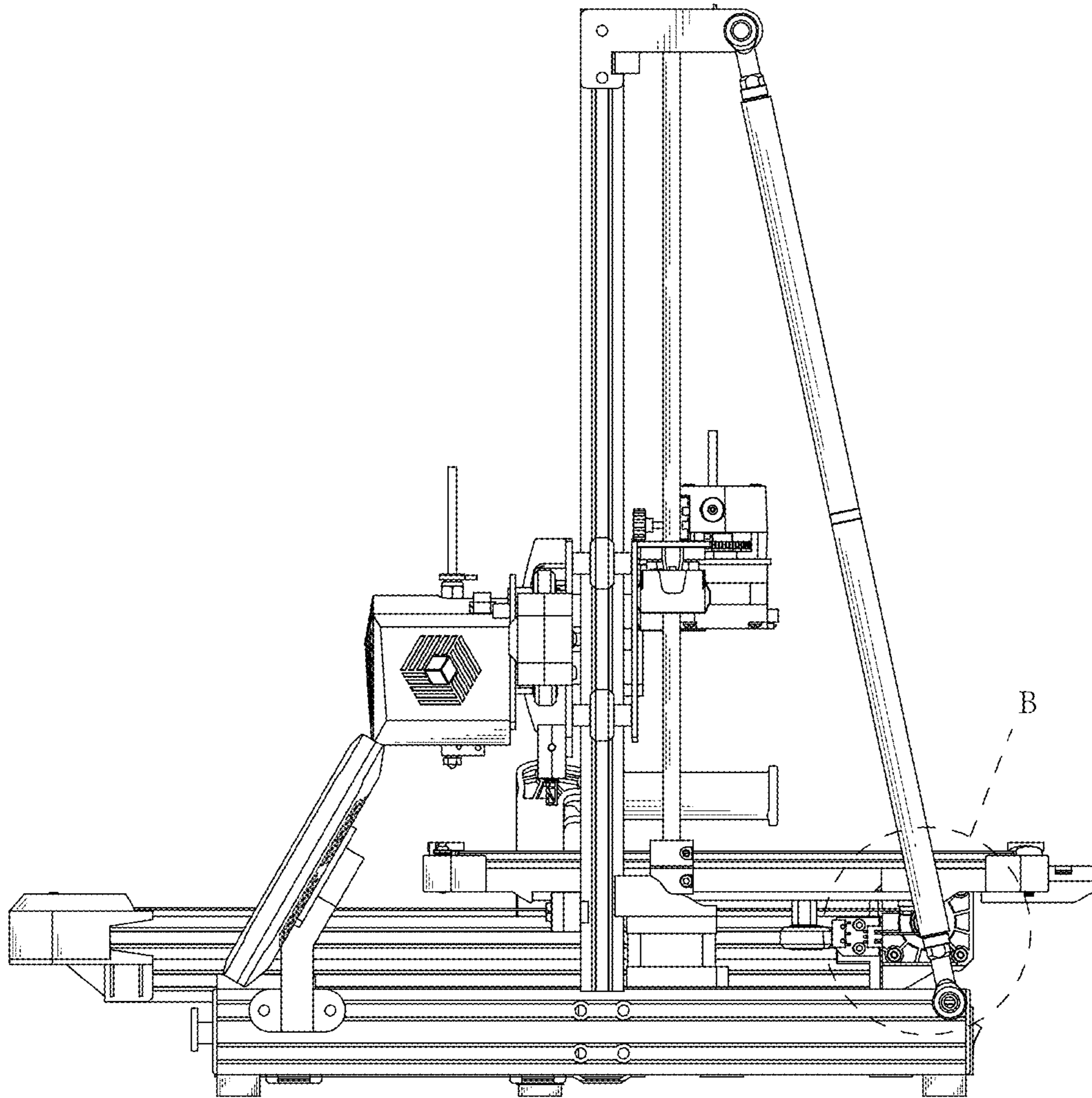


FIG. 5

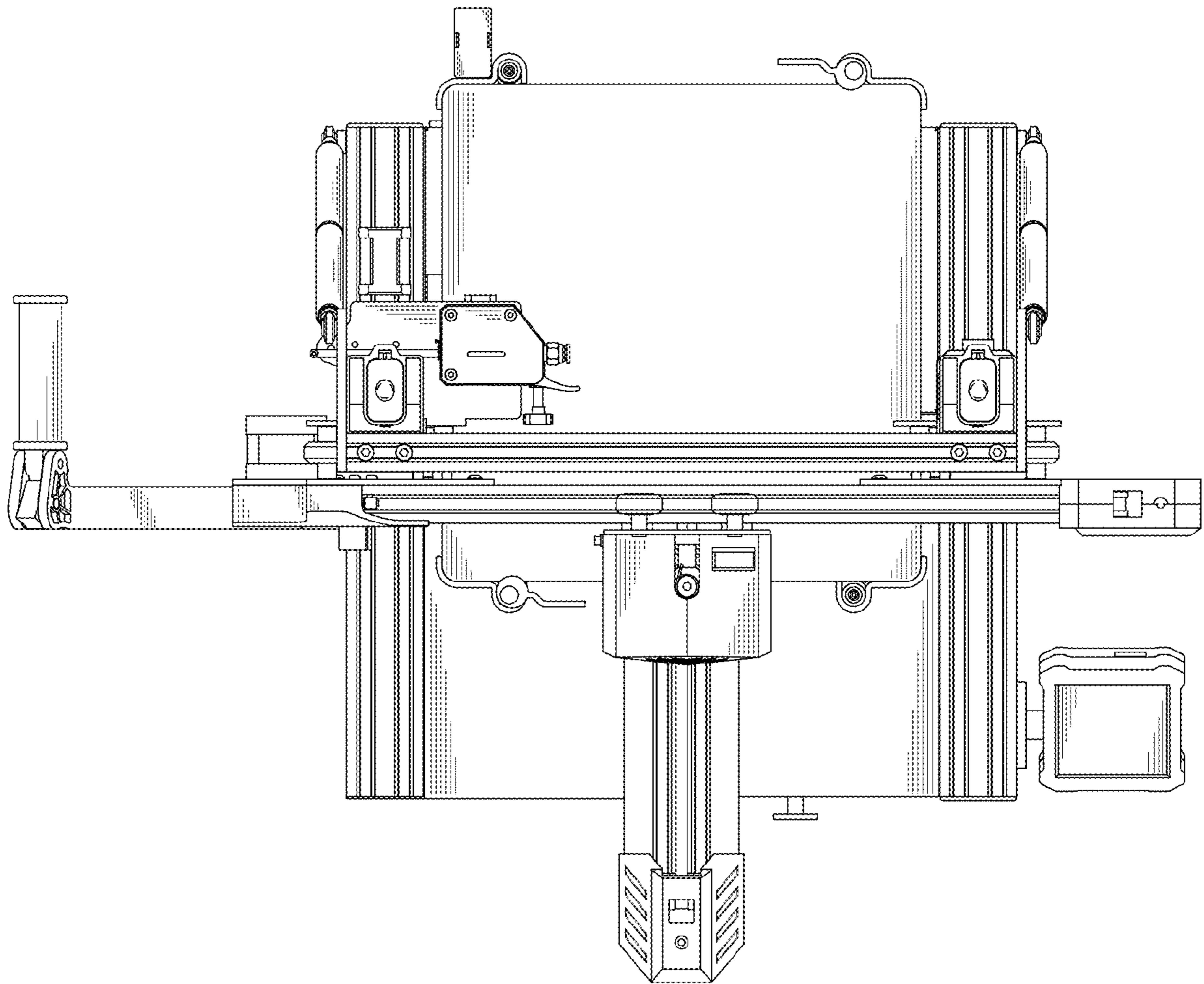


FIG. 6



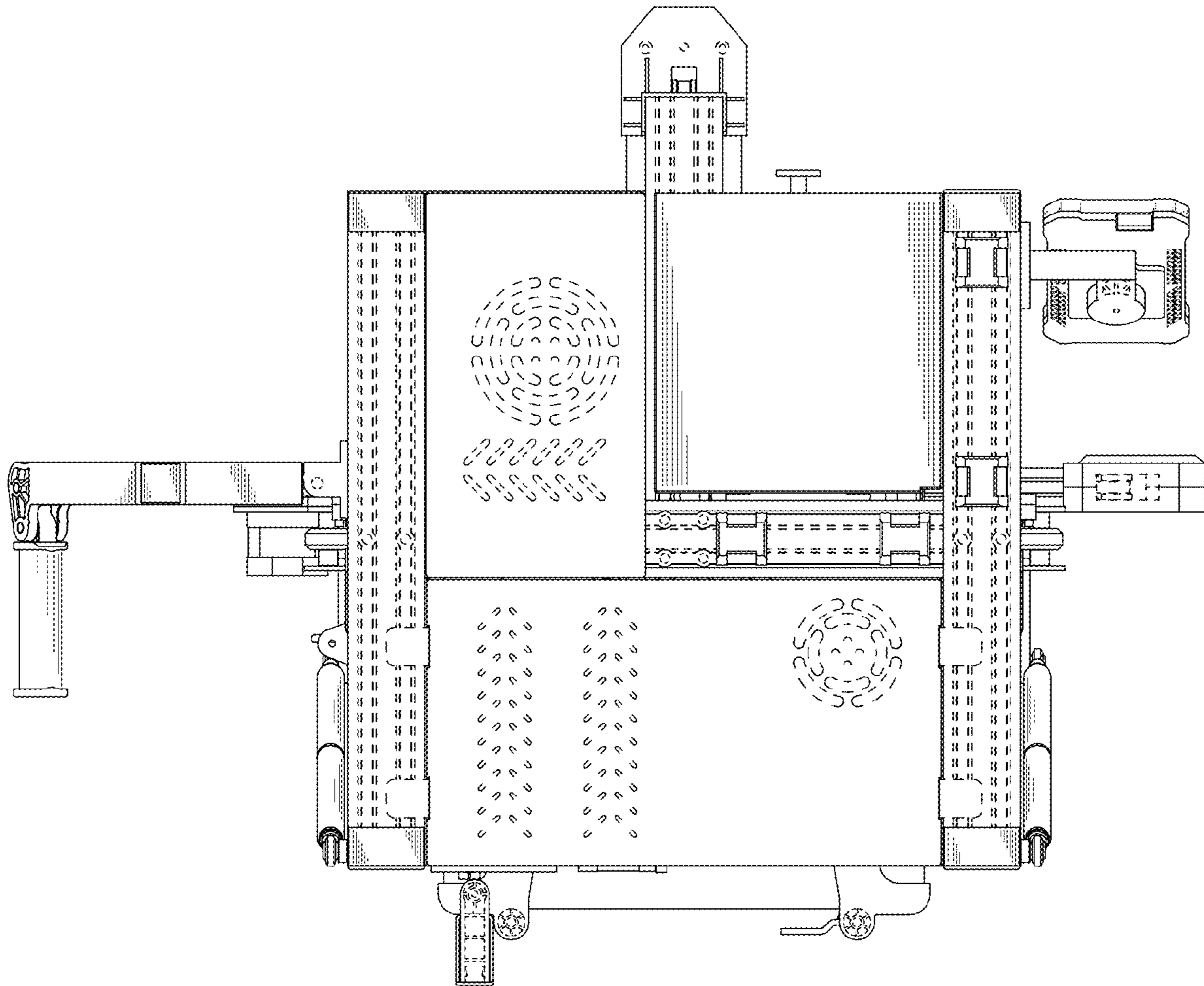


FIG. 7

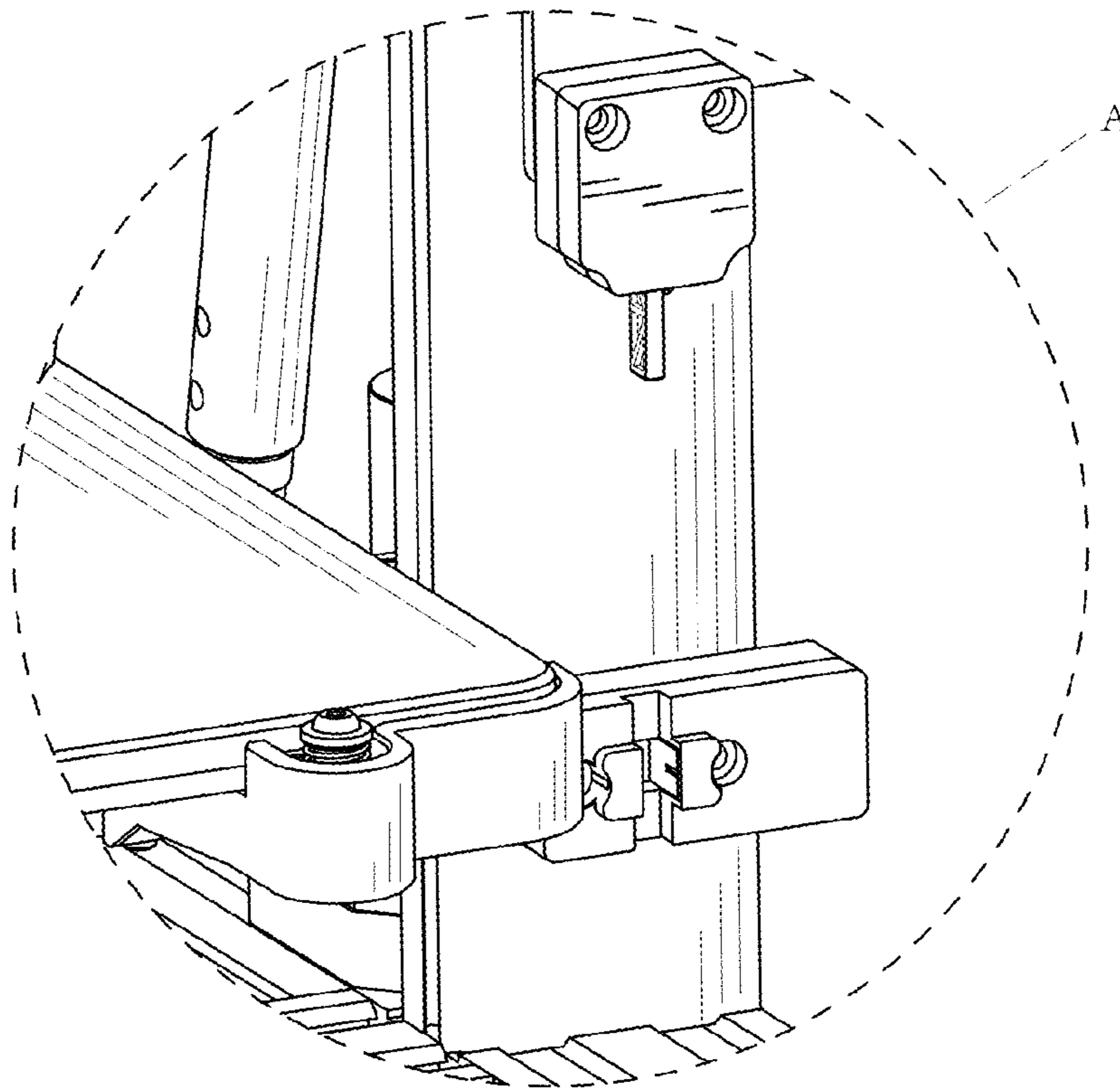


FIG. 8

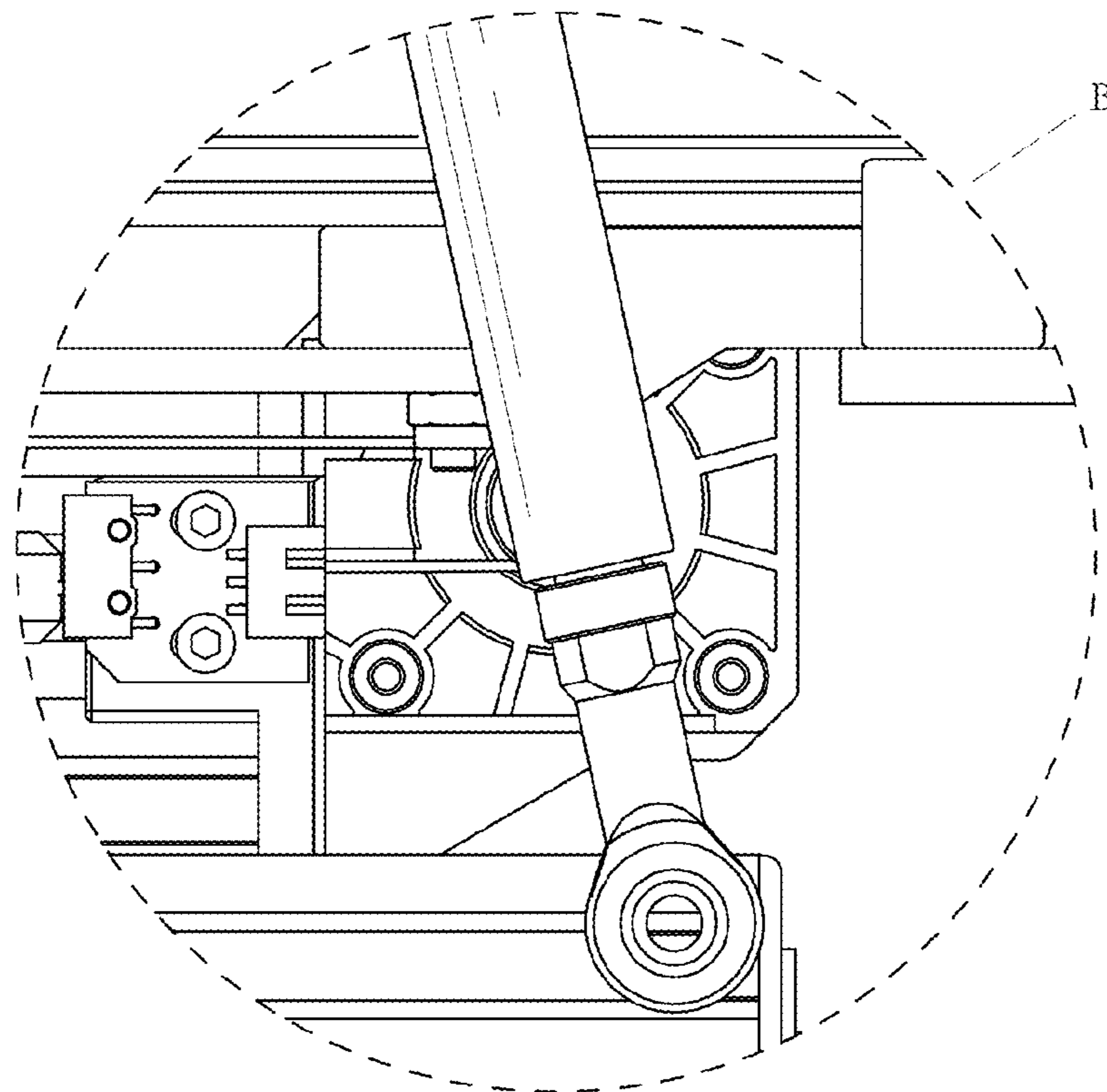


FIG. 9