



US00D958235S

(12) **United States Design Patent** (10) **Patent No.:** **US D958,235 S**
Eun (45) **Date of Patent:** **** Jul. 19, 2022**

(54) **KIOSK**
(71) Applicant: **Dong Uk Eun**, Gwangmyeong-Si (KR)
(72) Inventor: **Dong Uk Eun**, Gwangmyeong-Si (KR)
(73) Assignee: **POSBANK CO., LTD**, Seoul (KR)
(**) Term: **15 Years**

D355,676 S * 2/1995 Wilson D14/373
D357,495 S * 4/1995 Skaggs D14/336
D383,739 S * 9/1997 Gilgen D14/375
D438,848 S * 3/2001 Kita D14/126
D480,397 S * 10/2003 Forsythe D14/383
D486,827 S * 2/2004 Detallante D14/420
D493,794 S * 8/2004 Berentzen D14/420
D509,508 S * 9/2005 Ko D14/420
D512,065 S * 11/2005 Ko D14/420
D533,155 S * 12/2006 Nakata D14/126

(Continued)

(21) Appl. No.: **29/718,466**

(22) Filed: **Dec. 24, 2019**

(30) **Foreign Application Priority Data**

Jun. 25, 2019 (KR) 30-2019-0030123

(51) **LOC (13) Cl.** **18-01**

(52) **U.S. Cl.**
USPC **D18/4.4**

(58) **Field of Classification Search**
USPC D18/4.4, 4.5, 4.6, 2, 11, 12, 12.3, 50, 14,
D18/19-21, 54, 99, 4.1, 4.3; D14/300,
D14/307, 314, 328, 332-340, 356, 383,
D14/385, 386, 434, 447, 451, 453, 457,
D14/168, 299, 900, 901, 902, 371, 496,
D14/125, 126, 129, 216, 341, 420, 421;
D20/1, 8, 9, 10, 19; D99/28, 43;
D24/185, 186
CPC G06F 1/1601; G06F 1/1692; G06Q 20/00;
G06Q 20/08; G06Q 20/20; G06Q 20/204;
G06Q 20/18; G07F 7/0873; G07F 7/088;
G07F 7/0886; G07F 7/0893; G07G
1/0009; G07G 1/0018

See application file for complete search history.

(56) **References Cited**

U.S. PATENT DOCUMENTS

D276,736 S * 12/1984 Maya D20/17
D303,402 S * 9/1989 Brown D20/10
D344,101 S * 2/1994 DeRaffele D20/10
D351,161 S * 10/1994 Perotka D20/19

FOREIGN PATENT DOCUMENTS

KR 2232296 B1 * 3/2021

OTHER PUBLICATIONS

Kim,Gwang-Hoe, Computex Taipei 2019, the largest global ICT exhibition in the Asia-Pacific region, Nextdaily(news site), May 31, 2019, Republic of Korea link : <http://www.nextdaily.co.kr/news/article.html?id=20190531800015>.

Primary Examiner — Marie D. Fast Horse
(74) *Attorney, Agent, or Firm* — John K. Park; Park Law Firm

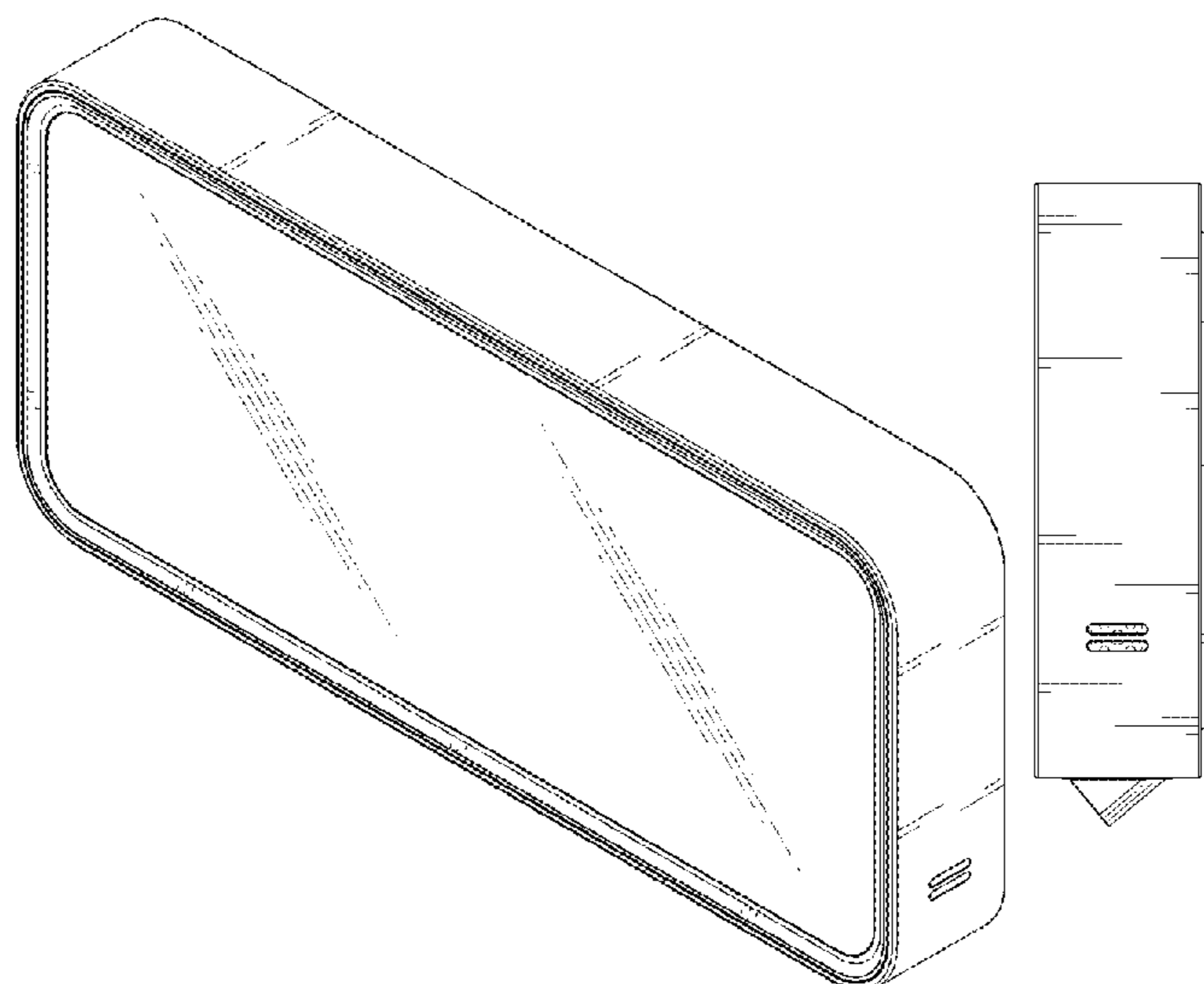
(57) **CLAIM**

The ornamental design for a kiosk, as shown and described.

DESCRIPTION

FIG. 1 is a perspective view of a kiosk showing my new design;
FIG. 2 is a front view thereof;
FIG. 3 is a rear view thereof;
FIG. 4 is a left side view thereof;
FIG. 5 is a right plan view thereof;
FIG. 6 is a top plan view thereof; and,
FIG. 7 is a bottom plan view thereof.
The broken lines in the drawings depict portions of the kiosk that form no part of the claimed design.

1 Claim, 7 Drawing Sheets



(56)

References Cited

U.S. PATENT DOCUMENTS

D564,374 S *	3/2008	Wada	D10/65	D763,247 S *	8/2016	Yepez	D14/307
D582,986 S *	12/2008	Sanchez	D14/159	D768,127 S *	10/2016	Desch	D14/341
D596,173 S *	7/2009	Arfin	D14/307	D772,335 S *	11/2016	Mantrawadi	D18/4.6
D598,053 S *	8/2009	Sanchez	D14/159	D776,651 S *	1/2017	Yates	D14/307
7,609,507 B2 *	10/2009	Sakata	F16M 11/10 361/679.21	D783,601 S *	4/2017	Schulte	D14/341
D606,071 S *	12/2009	Wu	D14/336	D797,856 S *	9/2017	Loew	D20/41
D639,267 S *	6/2011	DeLorenzo	D14/142	D808,956 S *	1/2018	Desch	D14/341
D639,801 S *	6/2011	Kuroda	D14/307	D812,616 S *	3/2018	Potash	D14/383
D640,252 S *	6/2011	Kuroda	D14/307	D828,831 S *	9/2018	Ragland	D14/307
D653,835 S *	2/2012	Strempack	D14/307	D829,274 S *	9/2018	Huang	D18/4.6
D693,803 S *	11/2013	Colley	D14/307	D842,302 S *	3/2019	Man	D14/420
D698,384 S *	1/2014	Cruz	D18/4.4	D850,525 S *	6/2019	Eun	D18/4.6
D707,676 S *	6/2014	Azuma	D14/385	D864,958 S *	10/2019	YukseK	D14/349
D716,300 S *	10/2014	Cruz	D14/385	D882,677 S *	4/2020	Zheng	D18/4.4
D716,815 S *	11/2014	van Hees	D14/420	D882,678 S *	4/2020	Wan	D18/4.4
D749,075 S *	2/2016	Brown	D14/383	D882,679 S *	4/2020	Zheng	D18/4.4
D755,783 S *	5/2016	Shi	D14/336	D886,096 S *	6/2020	Mangeot	D14/307
				D908,690 S *	1/2021	Zheng	D14/307
				D932,483 S *	10/2021	Weldon	D14/307
				D933,061 S *	10/2021	Kao	D14/336
				D935,333 S *	11/2021	Bai	D14/336

* cited by examiner

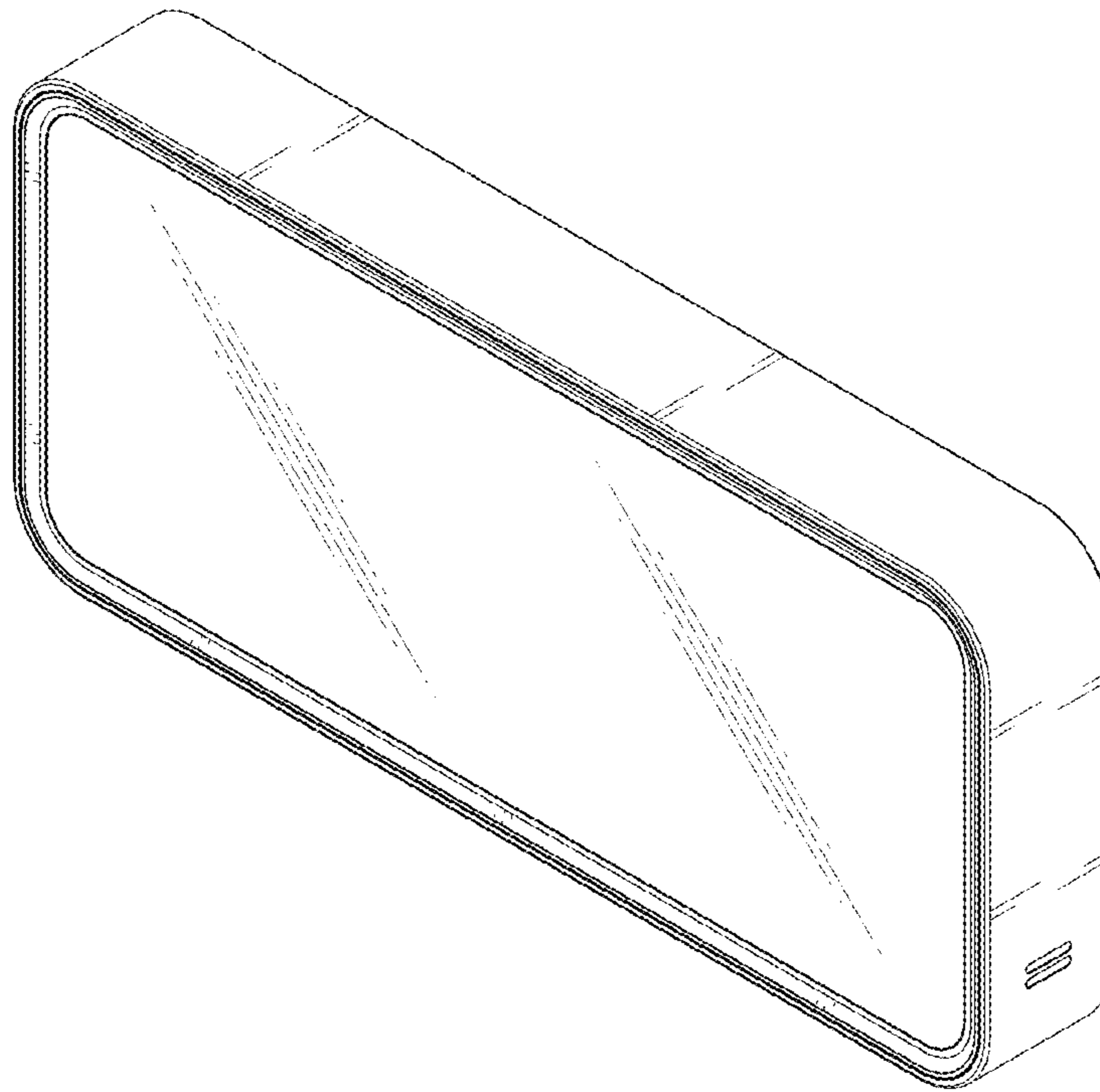


FIG. 1

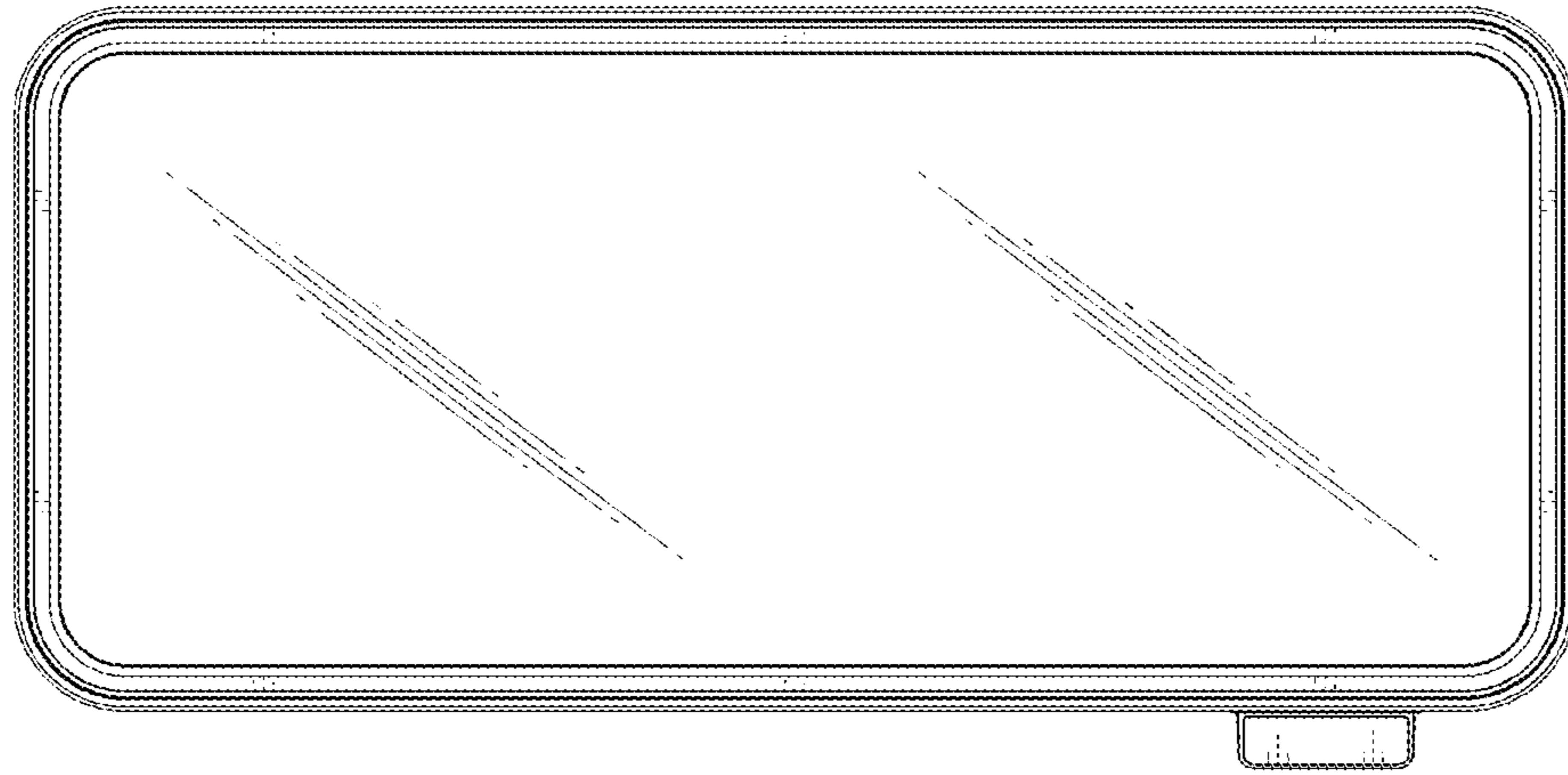


FIG. 2

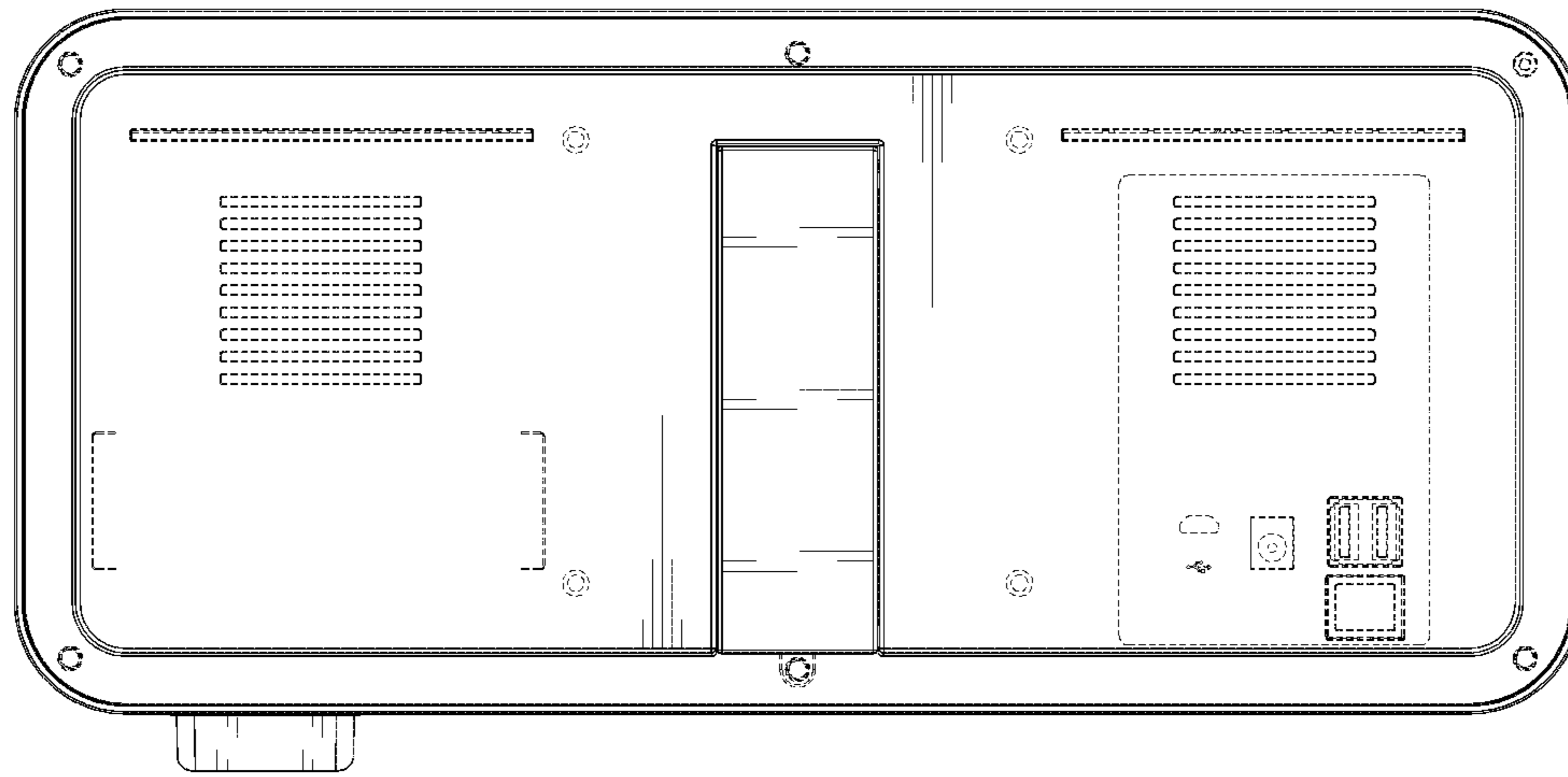


FIG. 3

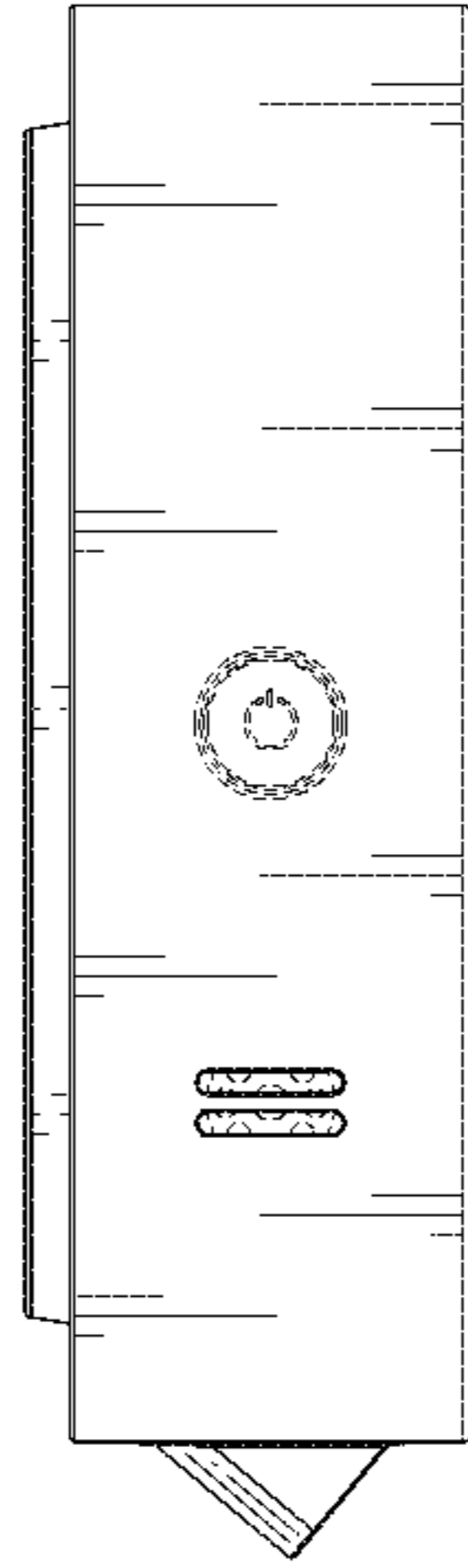


FIG. 4

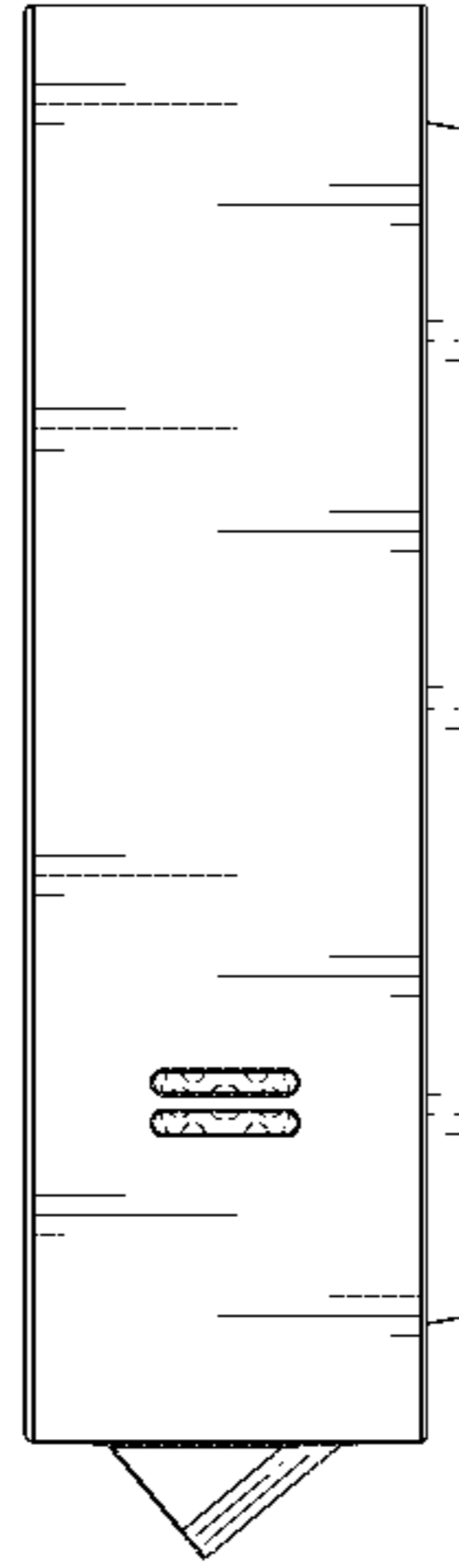


FIG. 5

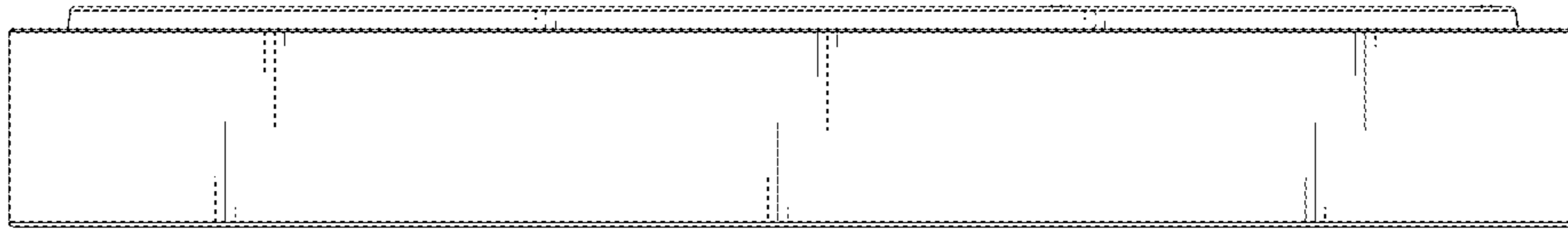


FIG. 6

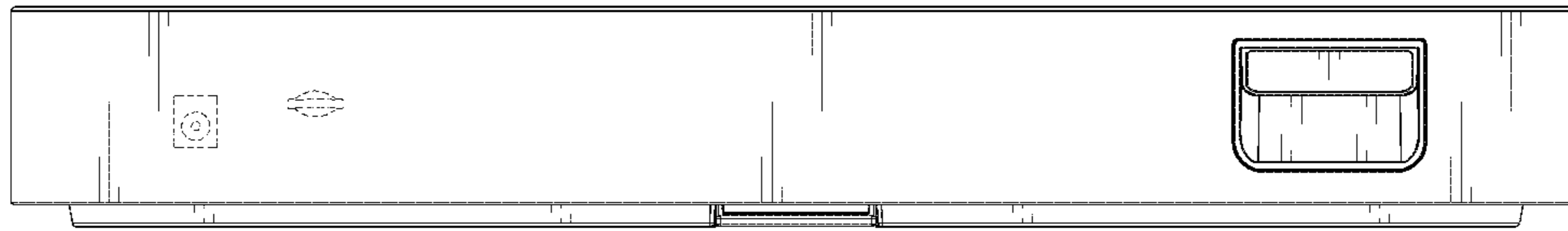


FIG. 7