



US00D958233S

(12) **United States Design Patent**  
**Cheng**

(10) **Patent No.:** **US D958,233 S**

(45) **Date of Patent:** **\*\* Jul. 19, 2022**

(54) **SLEEP MASK**

(71) Applicant: **Lijian Cheng**, Foshan (CN)

(72) Inventor: **Lijian Cheng**, Foshan (CN)

(\*\*) Term: **15 Years**

(21) Appl. No.: **29/801,656**

(22) Filed: **Jul. 30, 2021**

(51) **LOC (13) Cl.** ..... **16-06**

(52) **U.S. Cl.**  
USPC ..... **D16/301**

(58) **Field of Classification Search**

USPC ..... D16/300, 301

CPC ..... A61F 9/04; G02C 11/10; G02C 11/12;  
G02C 2200/08; G02C 1/06

See application file for complete search history.

(56) **References Cited**

**U.S. PATENT DOCUMENTS**

2,191,937	A *	2/1940	Low	.....	A61F 9/04
					D16/312
2,765,789	A *	10/1956	Schmierer	.....	A61F 13/124
					604/308
D182,389	S *	3/1958	Sisco	.....	D24/208
D726,244	S	4/2015	Defranco		
D777,824	S	1/2017	DeMarie		
D867,436	S	11/2019	Lian		
D867,437	S *	11/2019	Lian	.....	D16/301
D887,484	S	6/2020	Guo		
D889,529	S	7/2020	Guo		
D907,224	S *	1/2021	Wang	.....	D24/206
D918,991	S	5/2021	Du		
D939,617	S *	12/2021	Liu	.....	D16/301
D945,000	S *	3/2022	McMahon	.....	D16/301
D949,954	S *	4/2022	Sitt	.....	D16/301
2016/0008175	A1 *	1/2016	Bergman	.....	A61F 9/04
					2/171.2

**OTHER PUBLICATIONS**

Doot Sleep Eye Mask, posted at amazon.com, posting date Aug. 25, 2021, [online], [site visited May 18, 2022]. Available from Internet, URL: <https://www.amazon.com/Contoured-Sleeping-Blindfold-Headphones-Comfort/dp/B09DKPSG8G> (Year: 2021).\*

HOWSYKI Eye mask for Sleeping, posted at amazon.com, posting date Sep. 27, 2021, [online], [site visited May 18, 2022]. Available from Internet, URL: <https://www.amazon.com/Sleeping-Adjustable-Blindfold-Contoured-Comfortable/dp/B09GW31W3Y> (Year: 2021).\*

IDENTIL 3D Sleep Mask, posted at amazon.com, posting date Jan. 25, 2021, [online], [site visited May 18, 2022]. Available from Internet, URL: <https://www.amazon.com/dp/B08TWCFLJN/> (Year: 2021).\*

Kailebao Sleep Eye mask, posted at amazon.com, posting date Sep. 26, 2021, [online], [site visited May 18, 2022]. Available from Internet, URL: <https://www.amazon.com/kailebao-Womens-Contour-Shading-Comfortable/dp/B09H6BNTPH> (Year: 2021).\*

(Continued)

*Primary Examiner* — Maria J. Edwards

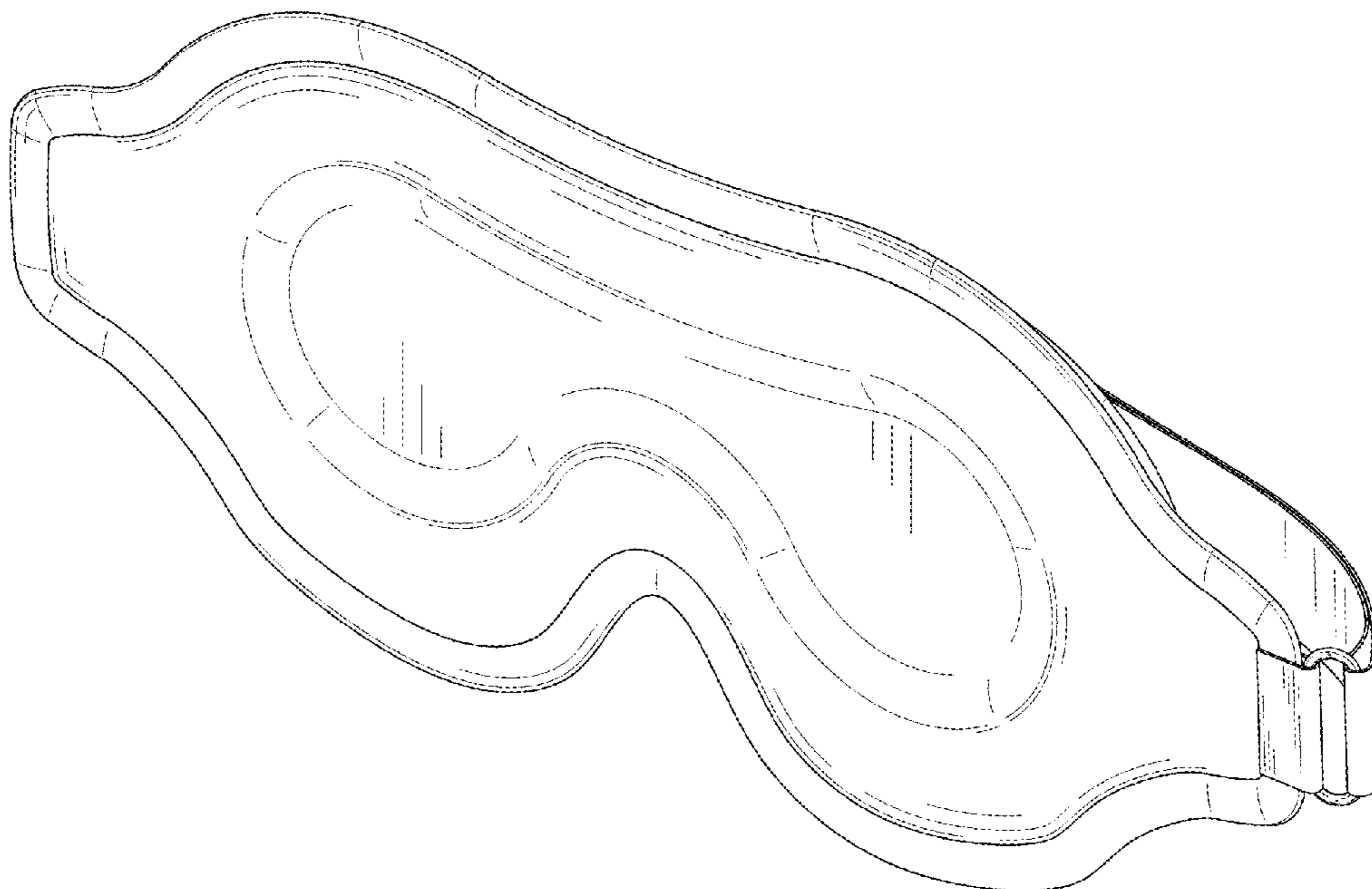
(57) **CLAIM**

The ornamental design for a sleep mask, as shown and described.

**DESCRIPTION**

FIG. 1 is a front and top perspective view of a sleep mask, showing my new design;  
FIG. 2 is a rear and bottom perspective view thereof;  
FIG. 3 is a front elevation view thereof;  
FIG. 4 is a rear view thereof;  
FIG. 5 is a left side elevation view thereof;  
FIG. 6 is a right side elevation view thereof;  
FIG. 7 is a top plan view thereof; and,  
FIG. 8 is a bottom plan view thereof.

**1 Claim, 8 Drawing Sheets**



(56)

**References Cited**

OTHER PUBLICATIONS

PAERDE Sleep Masks for Women, posted at amazon.com, posting date Dec. 15, 2021, [online], [site visited May 18, 2022]. Available from Internet, URL: <https://www.amazon.com/dp/B09NNCWR4F/> (Year: 2021).\*

Zizwe Sleep Mask, posted at amazon.com, posting date Jun. 18, 2021, [online], [site visited May 18, 2022]. Available from Internet, URL: <https://www.amazon.com/dp/B097GT1DBX/> (Year: 2021).\*

\* cited by examiner

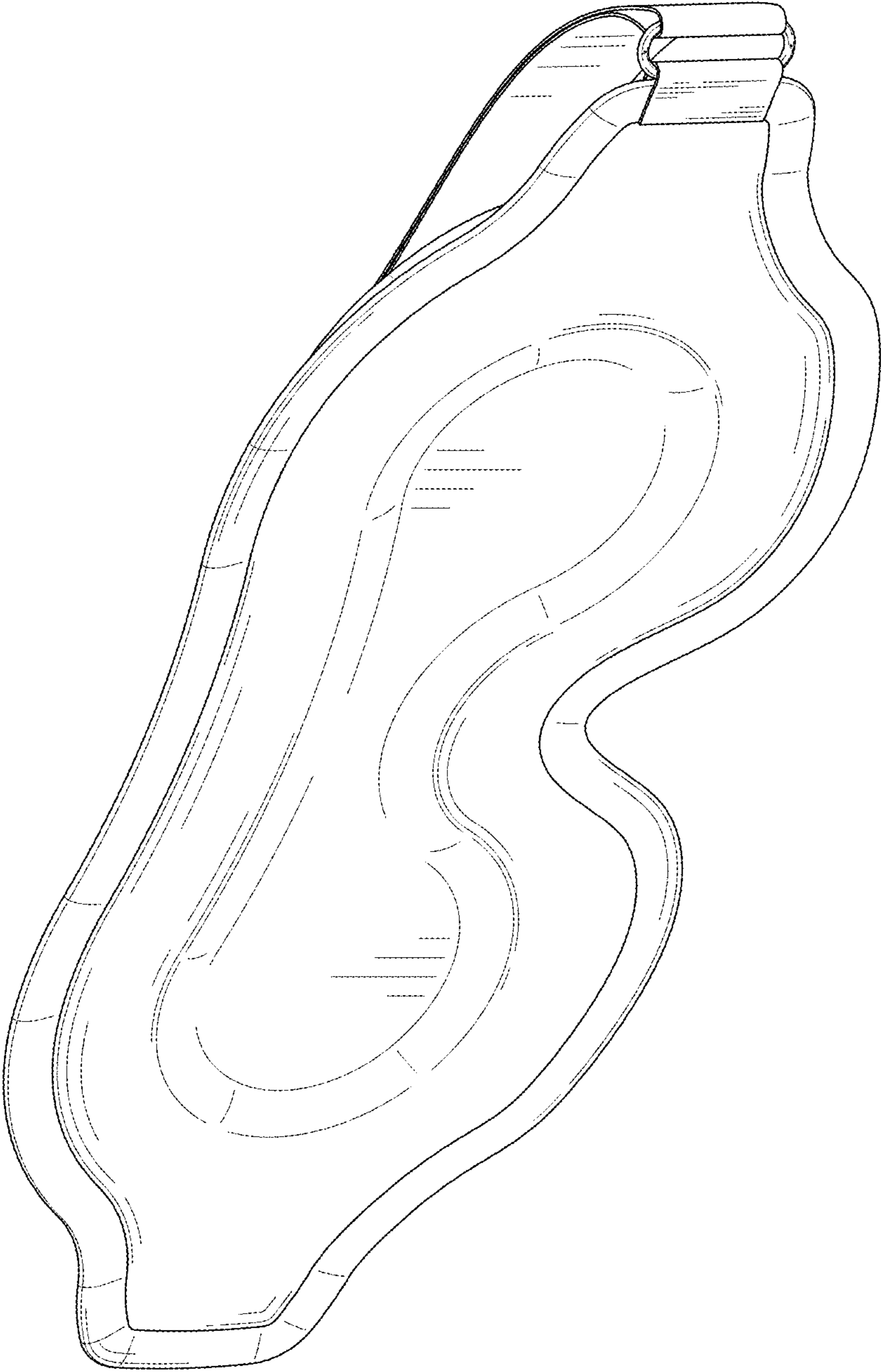


FIG. 1

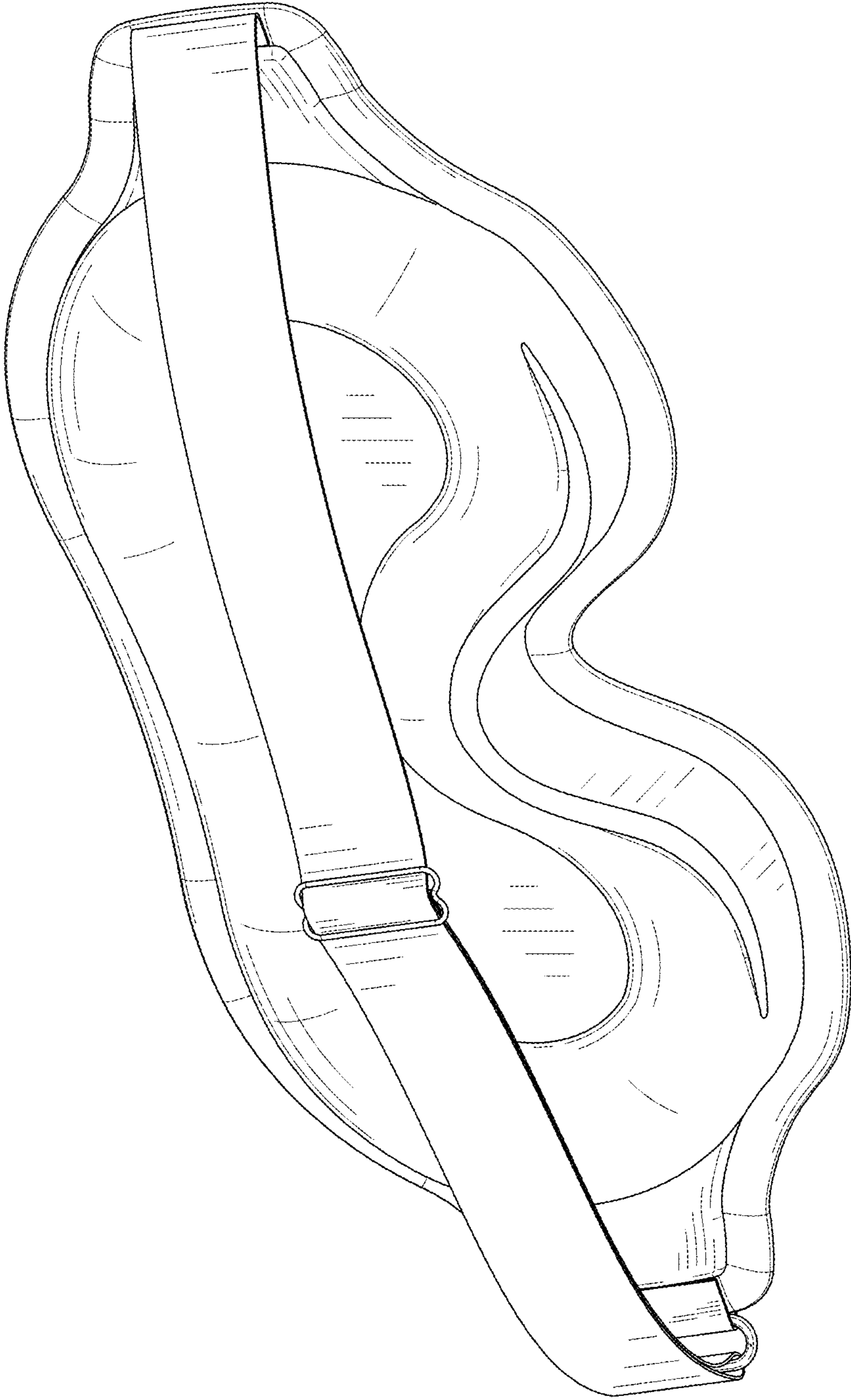


FIG. 2



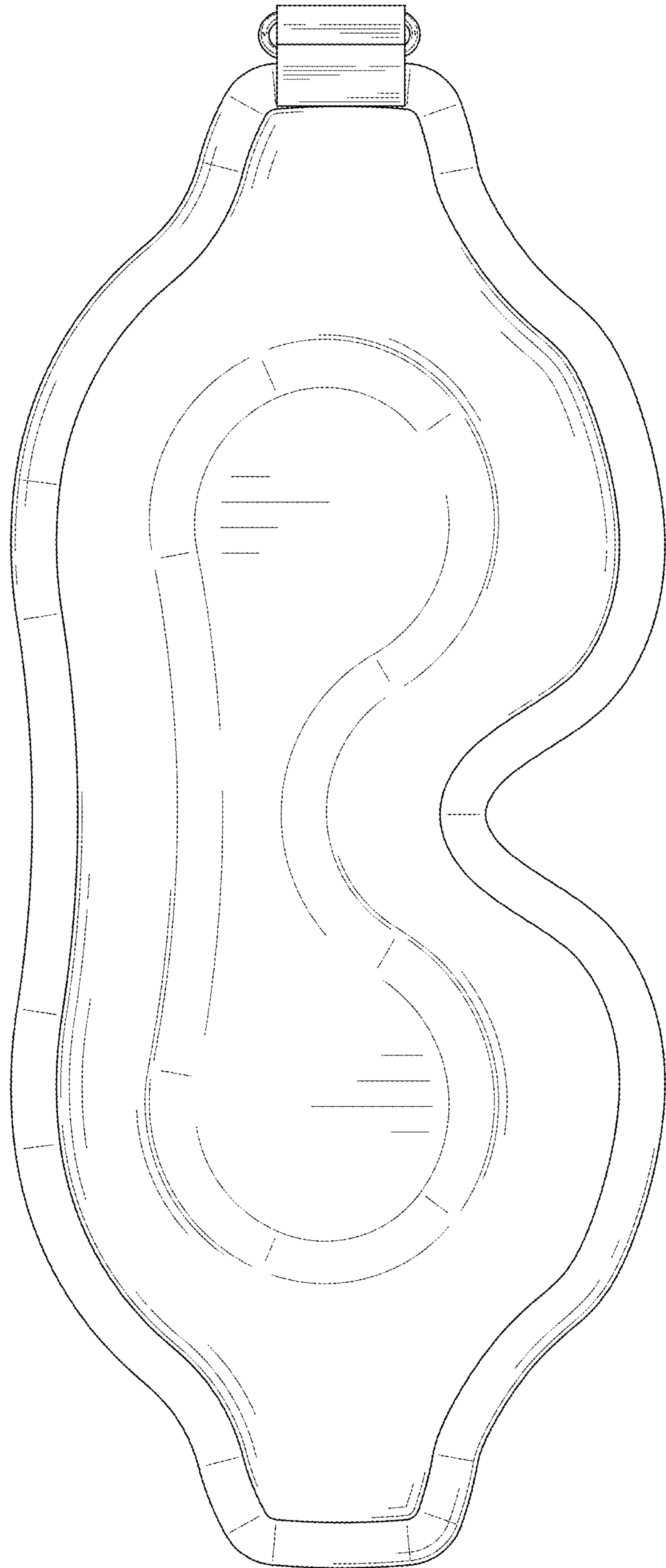


FIG. 3

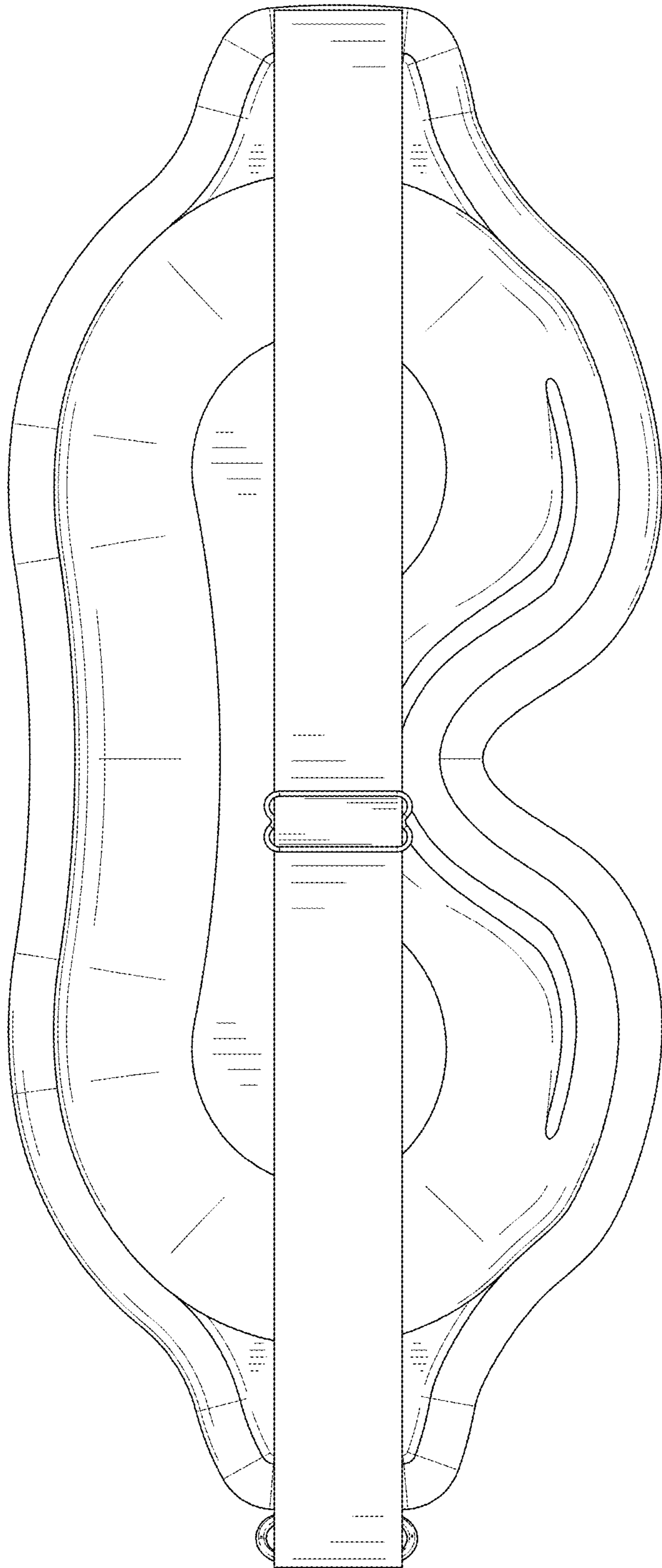


FIG. 4

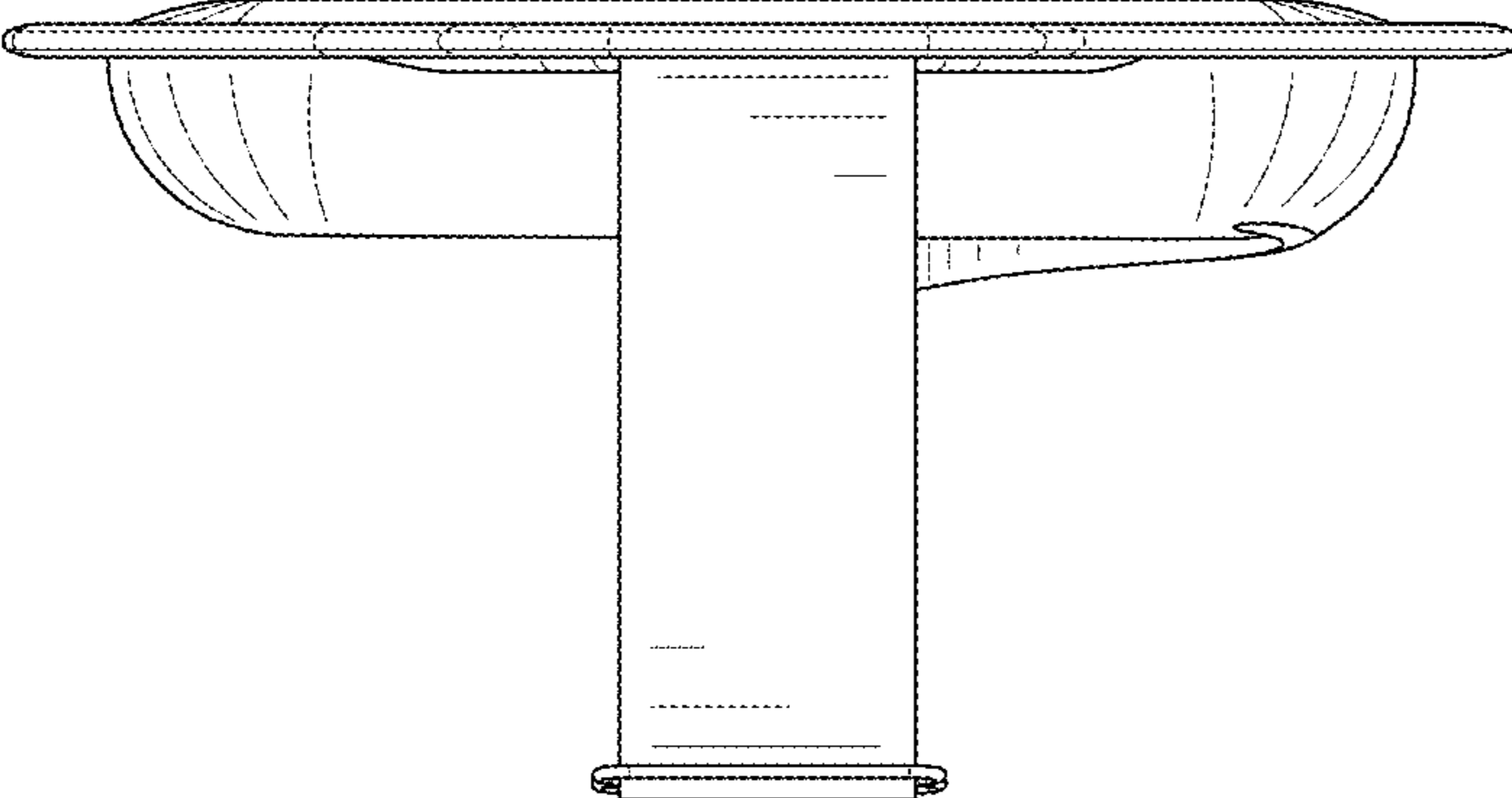


FIG. 5

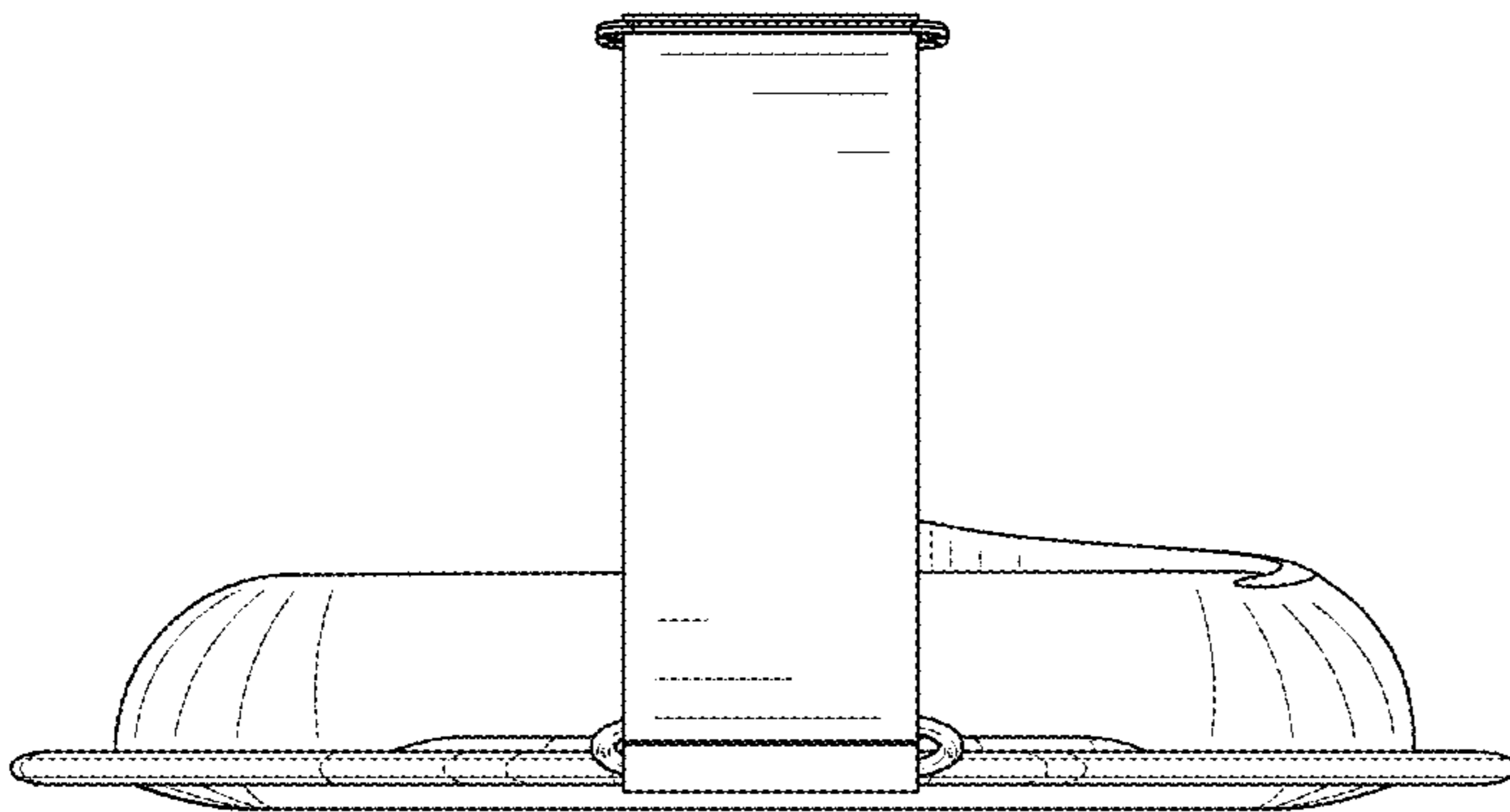


FIG. 6



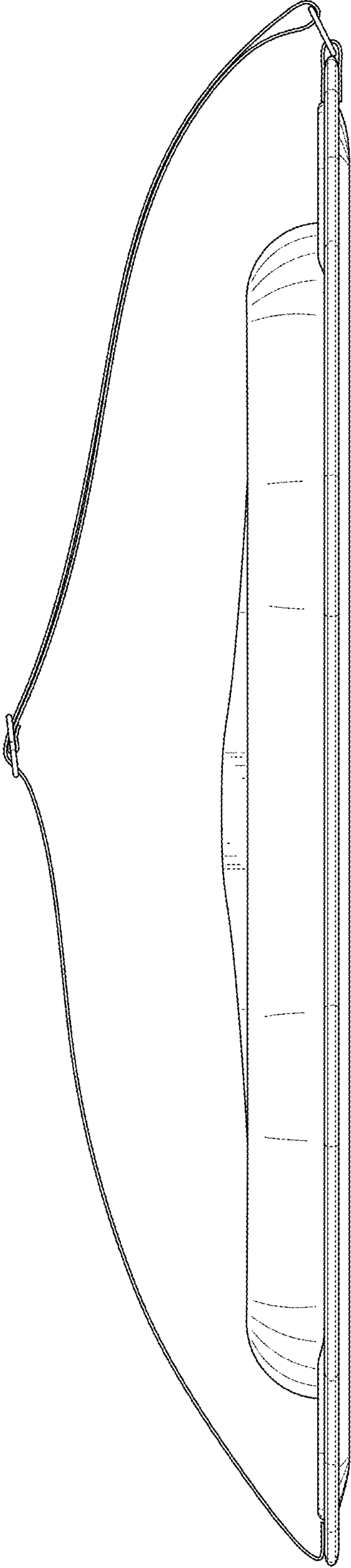


FIG. 7

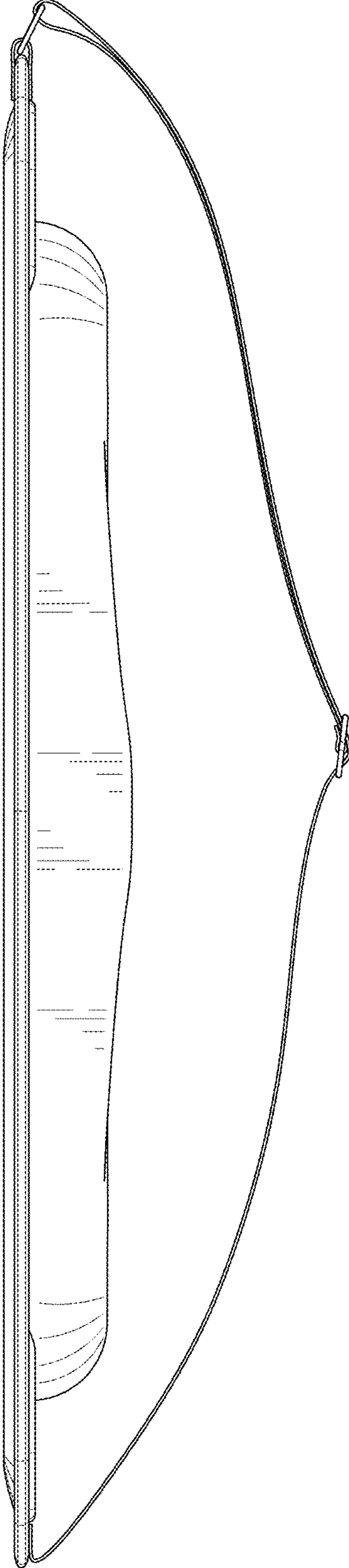


FIG. 8