



US00D958232S

(12) **United States Design Patent**
Wang

(10) **Patent No.:** **US D958,232 S**
(45) **Date of Patent:** **** Jul. 19, 2022**

(54) **TRIPOD**

(71) Applicant: **ZHEJIANG CHENTONG ELECTRONIC TECHNOLOGY CO., LTD.**, Zhejiang (CN)

(72) Inventor: **Jie Wang**, Zhejiang (CN)

(73) Assignee: **Zhejiang ChenTong Electronic Technology Co., Ltd.**, Shaoxing (CN)

(**) Term: **15 Years**

(21) Appl. No.: **29/763,032**

(22) Filed: **Dec. 21, 2020**

(51) **LOC (13) Cl.** **16-05**

(52) **U.S. Cl.**
USPC **D16/244**

(58) **Field of Classification Search**
USPC D16/219, 237–250; D8/354, 355, 363, D8/373, 382–383, 394–396; D14/224, D14/229, 238, 251, 253, 447, 451, 457; D26/118
CPC F16M 11/06–10; F16M 11/14; G02B 7/00–002; G03B 17/561–566; H04N 5/2253–2254

See application file for complete search history.

(56) **References Cited**

U.S. PATENT DOCUMENTS

D335,889 S * 5/1993 Gibran 15/23
5,564,661 A * 10/1996 Gershon A47B 19/002
248/167
D450,339 S * 11/2001 Eason D16/244
D490,554 S * 5/2004 Bayat D26/65

(Continued)

FOREIGN PATENT DOCUMENTS

CN 302286682 * 1/2013
CN 303151643 * 4/2015

(Continued)

OTHER PUBLICATIONS

Benro A673TM Aluminum Tandem-Leg Video Tripod, product availability [online], no video/pictured review available [online], [site visited Mar. 17, 2022];URL:<https://www.bhphotovideo.com/c/product/1335993-REG/benro_a673tm_dual_stage_75mm.html> (Year: 2022).*

(Continued)

Primary Examiner — Sanjeev Paul
Assistant Examiner — Loryn Korrine LeBlanc

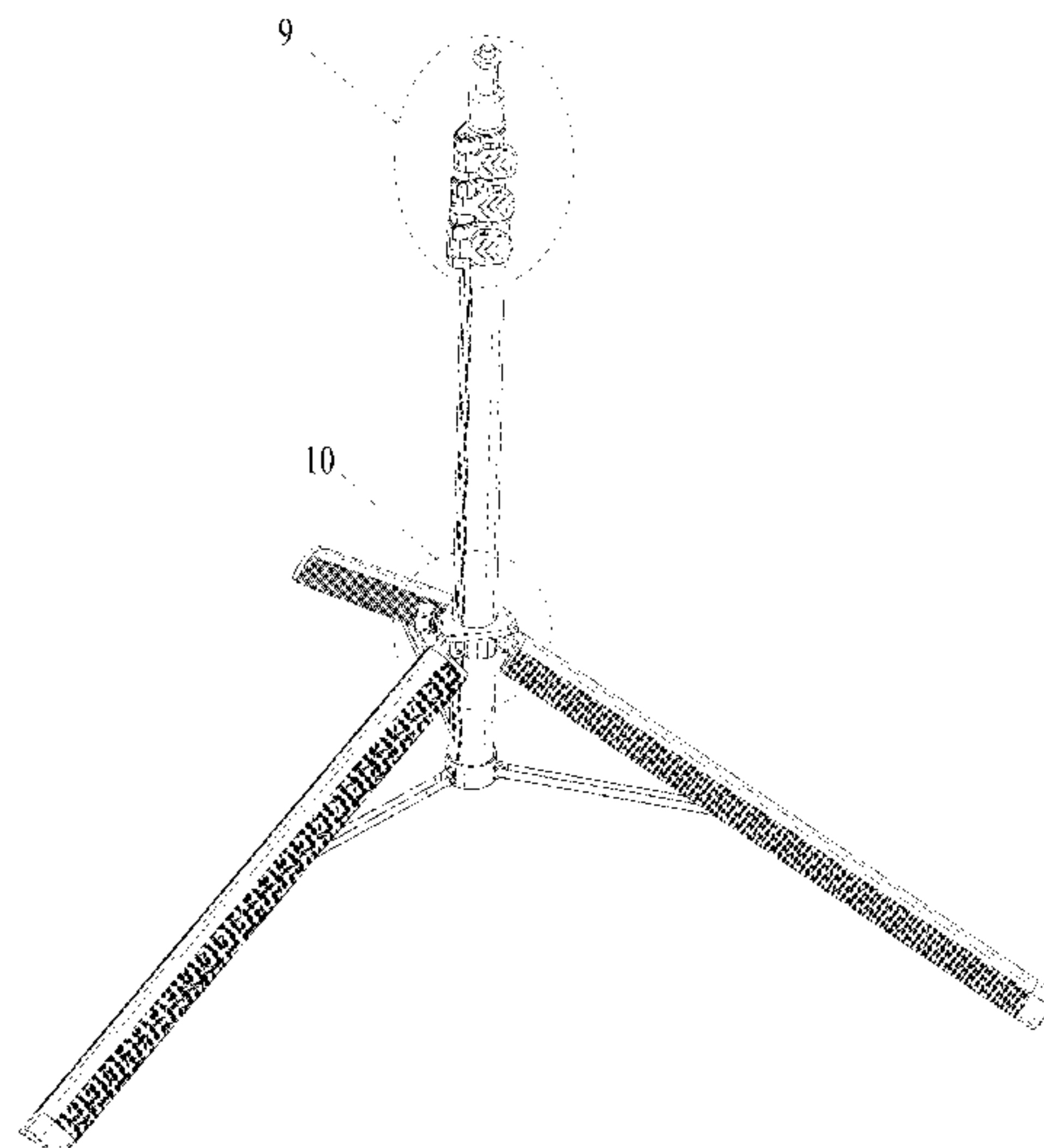
(57) **CLAIM**

The ornamental design for a tripod, as shown and described.

DESCRIPTION

FIG. 1 is a perspective view of a tripod showing our new design;
FIG. 2 is another perspective view thereof;
FIG. 3 is a front view thereof;
FIG. 4 is a back view thereof;
FIG. 5 is a left view thereof;
FIG. 6 is a right view thereof;
FIG. 7 is a top view thereof;
FIG. 8 is a bottom view thereof;
FIG. 9 is a partially enlarged view of FIG. 1;
FIG. 10 is another partially enlarged view of FIG. 1;
FIG. 11 is a partially enlarged view of FIG. 2;
FIG. 12 is a partially enlarged view of FIG. 7;
FIG. 13 is a partially enlarged view of FIG. 8;
FIG. 14 is a tripod in an alternate folded configuration; and,
FIG. 15 is a bottom view thereof.
The broken lines in the figures depict portions of the tripod and the circled broken lined areas are for the purpose of disclosing enlarged detailed views, none of which form no part of the claimed design.

1 Claim, 15 Drawing Sheets



(56)

References Cited

OTHER PUBLICATIONS

U.S. PATENT DOCUMENTS

D552,660	S	*	10/2007	Lee	D16/244
D570,618	S	*	6/2008	Tai	D14/229
D623,786	S	*	9/2010	Wessel	D26/49
D632,720	S	*	2/2011	Barker	D16/244
D720,384	S	*	12/2014	Holmen	D16/244
D821,483	S	*	6/2018	Vitale	D16/244
D864,282	S	*	10/2019	Liu	D16/244
D893,582	S	*	8/2020	Vitale	D16/244
D895,716	S	*	9/2020	Chen	D16/244
D899,492	S	*	10/2020	Hao	D16/244
D901,579	S	*	11/2020	Wang	D16/244
D911,428	S	*	2/2021	Xiao	D16/244
D915,495	S	*	4/2021	Zeng	D16/244
D916,172	S	*	4/2021	Zeng	D16/244
D916,173	S	*	4/2021	Zeng	D16/244
D917,604	S	*	4/2021	Zeng	D16/244
D930,886	S	*	9/2021	Xiao	D16/244
2003/0118339	A1	*	6/2003	Yu	G03B 17/56 396/428
2011/0073722	A1	*	3/2011	Meuret	F16M 11/16 248/169
2019/0128471	A1	*	5/2019	Lin	F16M 11/16
2021/0311377	A1	*	10/2021	Salomon, Jr.	G03B 17/566

FOREIGN PATENT DOCUMENTS

CN	304940442	*	12/2018
CN	306224251	*	12/2020
CN	306722684	*	7/2021
CN	306972911	*	11/2021
CN	306992555	*	12/2021
CN	307072669	*	1/2022
GB	6068499	*	8/2019
JP	D1695995	*	9/2021
JP	1701162	*	11/2021

Ulanzi MT-44 Extendable Vlog Tripod, product availability [online], no video/pictured review available [online], [site visited Mar. 17, 2022]:URL:<https://www.bhphotovideo.com/c/product/1659974-REG/ulanzi_2502_vlog_tripod_mt_44_black.html> (Year: 2022).*

Linhof Twin Shank Expert Tripod P, product availability [online], no video/pictured review available [online], [site visited Mar. 17, 2022]: URL:<https://www.bhphotovideo.com/c/product/575788-REG/Linhof_003333_Twin_Shank_Expert_Tripod.html> (Year: 2022).*

Ulanzi MT-16 Extendable Tripod with Ball Head, product availability [online], no video/pictured review available [online], [site visited Mar. 17, 2022]:URL:<https://www.bhphotovideo.com/c/product/1613556-REG/ulanzi_2052_extendable_desktop_tripod.html> (Year: 2022).*

Miggo Mini Aluminum Tripod, product availability [online], no video/pictured review available [online], [site visited Mar. 17, 2022]:URL:<https://www.bhphotovideo.com/c/product/1657308-REG/miggo_mw_pt_mt_mt_10_mini_aluminum_tripod.html> (Year: 2022).*

Konus 3-POD-8 Tabletop Tripod, product availability [online], no video/pictured review available [online], [site visited Mar. 17, 2022]: URL:<https://www.bhphotovideo.com/c/product/1401194-REG/konus_1958_3_pod_aluminum_table_tripod.html> (Year: 2022).*

Berlebach Planet Telescope Mount Tripod K70 Geared Column, product availability [online], no video/pictured review available [online], [site visited Mar. 17, 2022]:URL:<<https://www.deepspaceproducts.com/product/berlebach-planet-telescope-mount-tripod-k70-geared-column>> (Year: 2022).*

Contractor Aluminum Tripod, product availability [online], no video/pictured review available [online], [site visited Mar. 17, 2022]:URL:<<https://www.homedepot.com/p/Johnson-Contractor-Aluminum-Tripod-40-6335/202258064>> (Year: 2022).*

Joby TelePod Mobile All-in-One Tripod for iPhone, product availability [online], no video/pictured review available [online], [site visited Mar. 17, 2022]:URL:<<https://www.apple.com/shop/product/HNKK2ZM/A/joby-telepod-mobile-all-in-one-tripod-for-iphone>> (Year: 2022).*

* cited by examiner

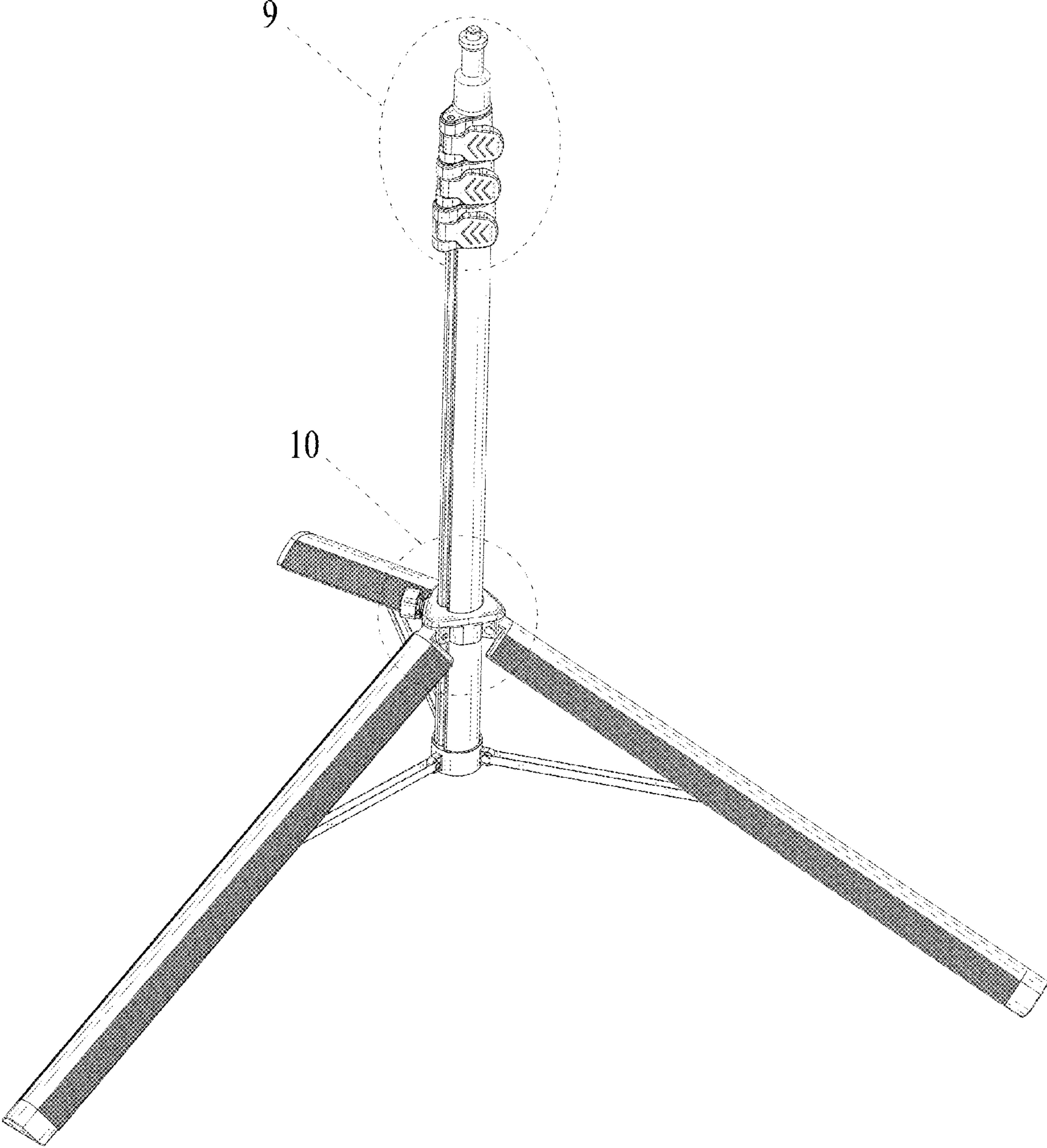


FIG. 1

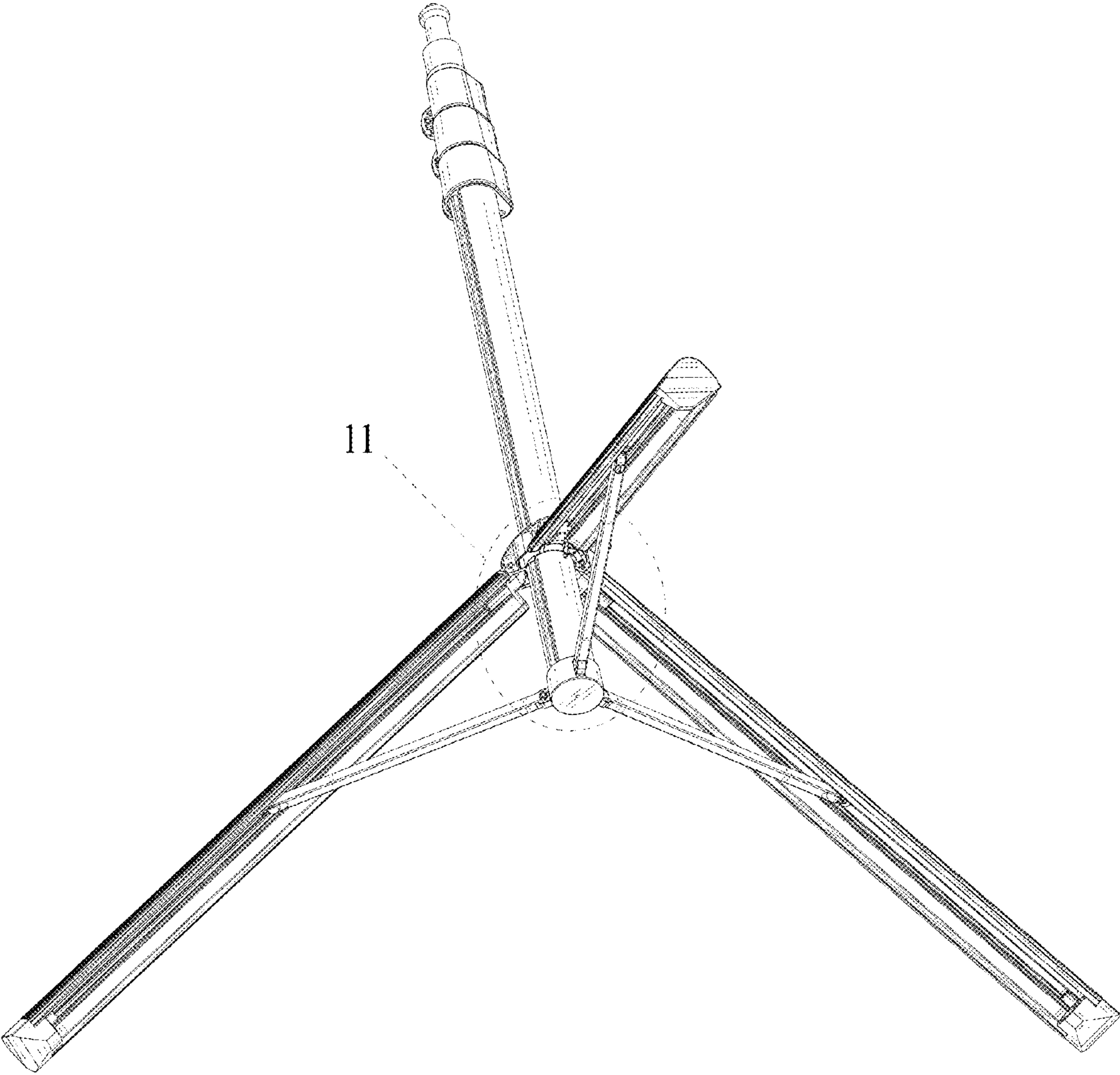


FIG. 2



FIG. 3

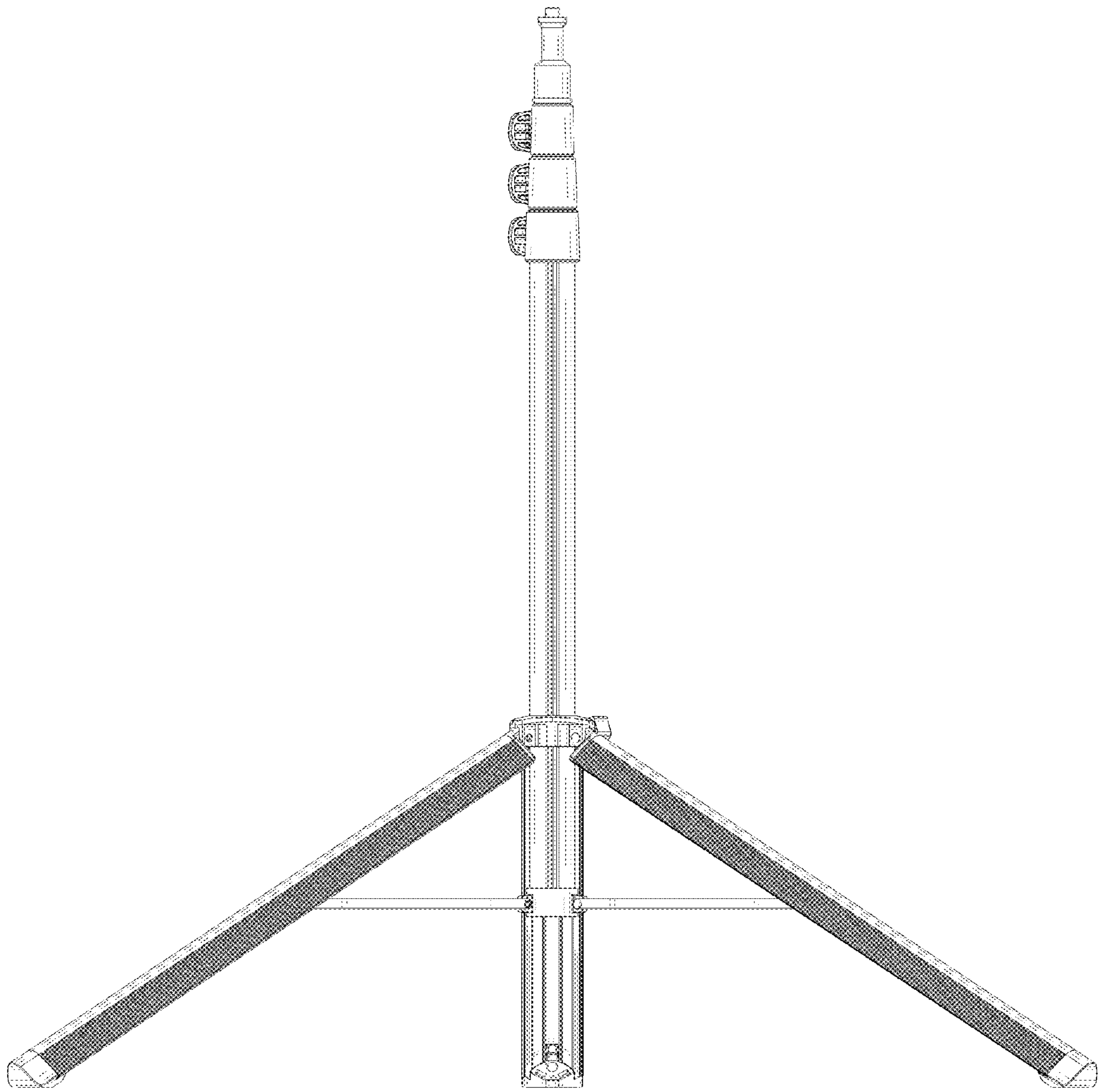


FIG. 4

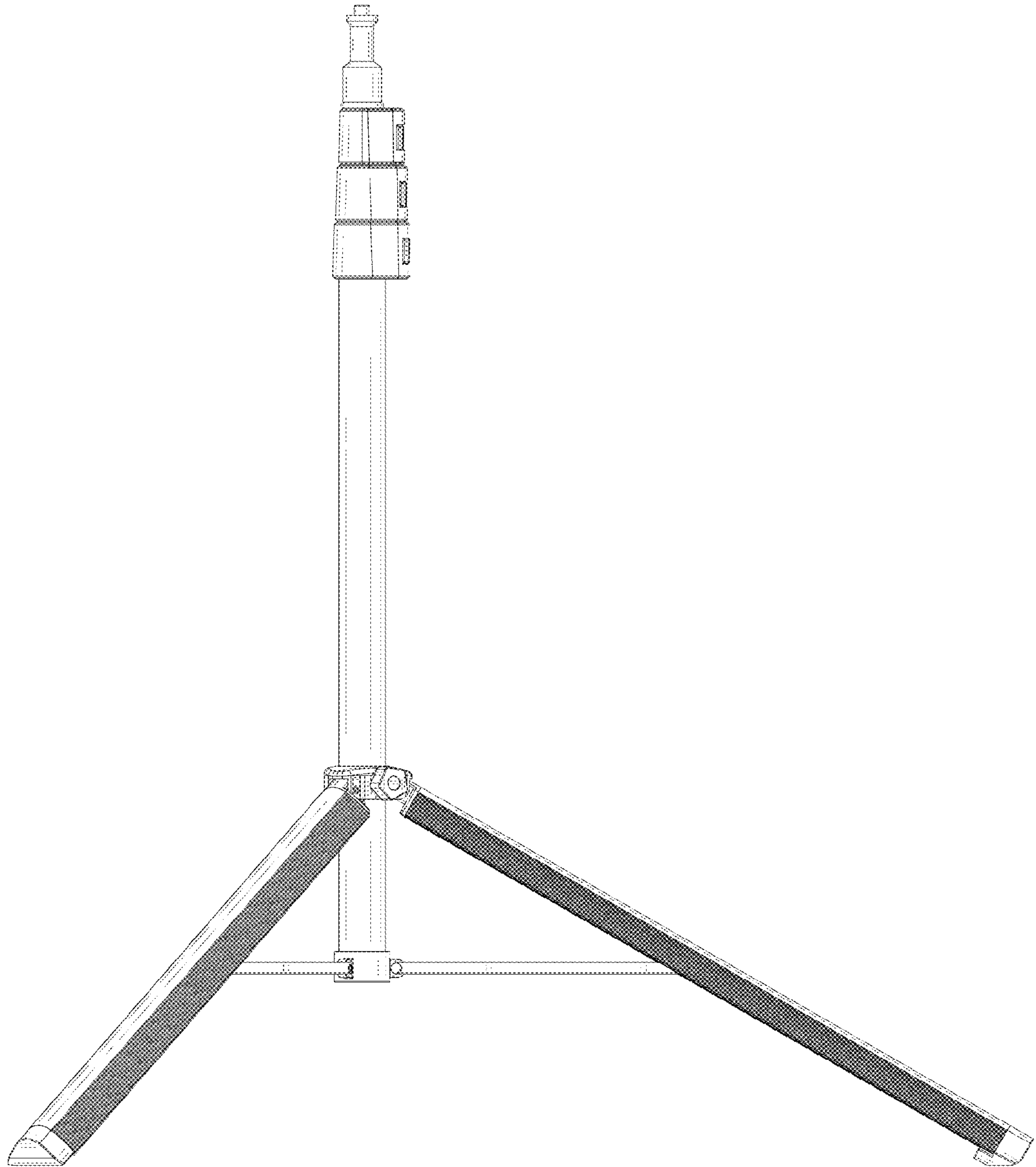


FIG. 5

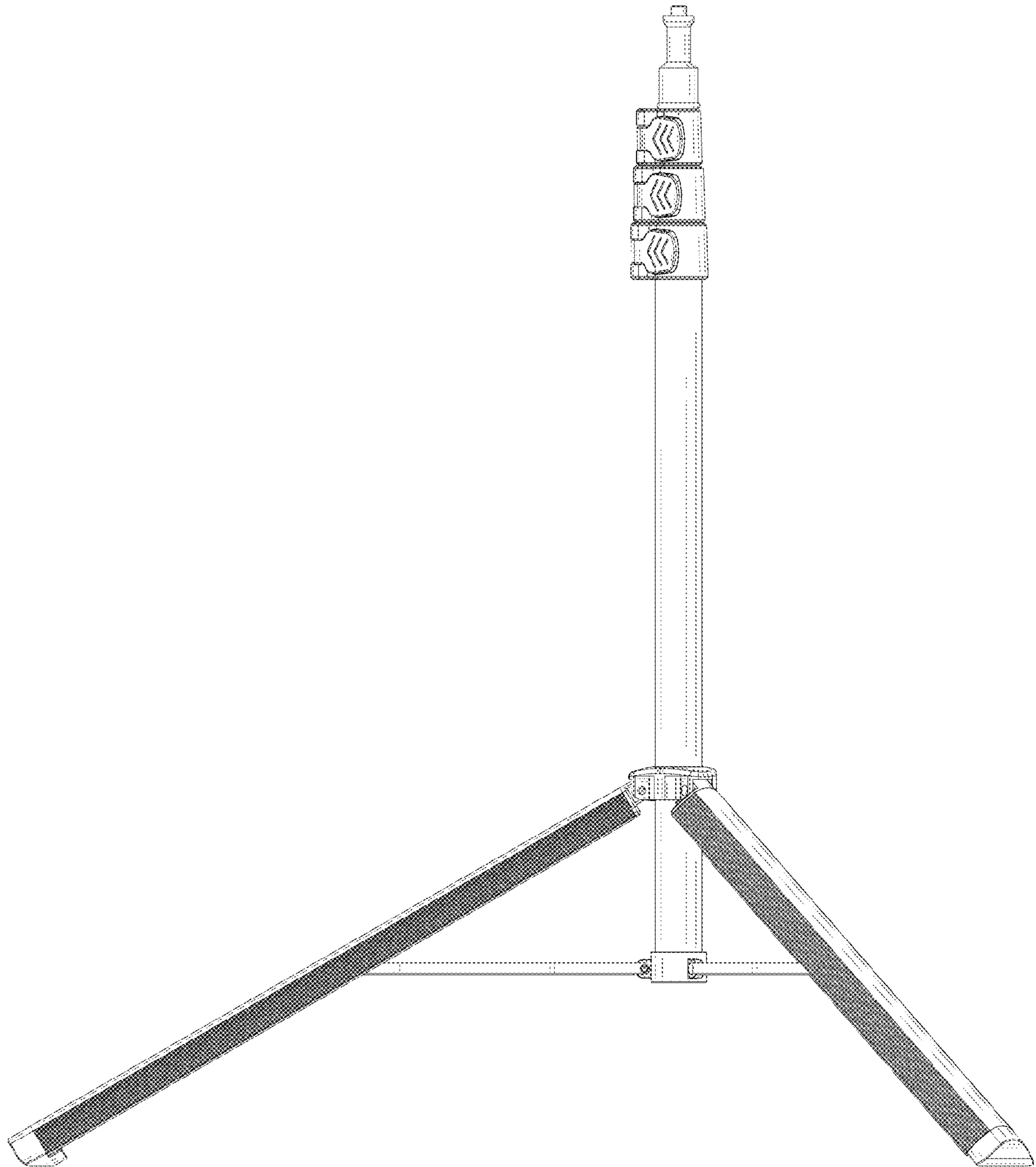


FIG. 6

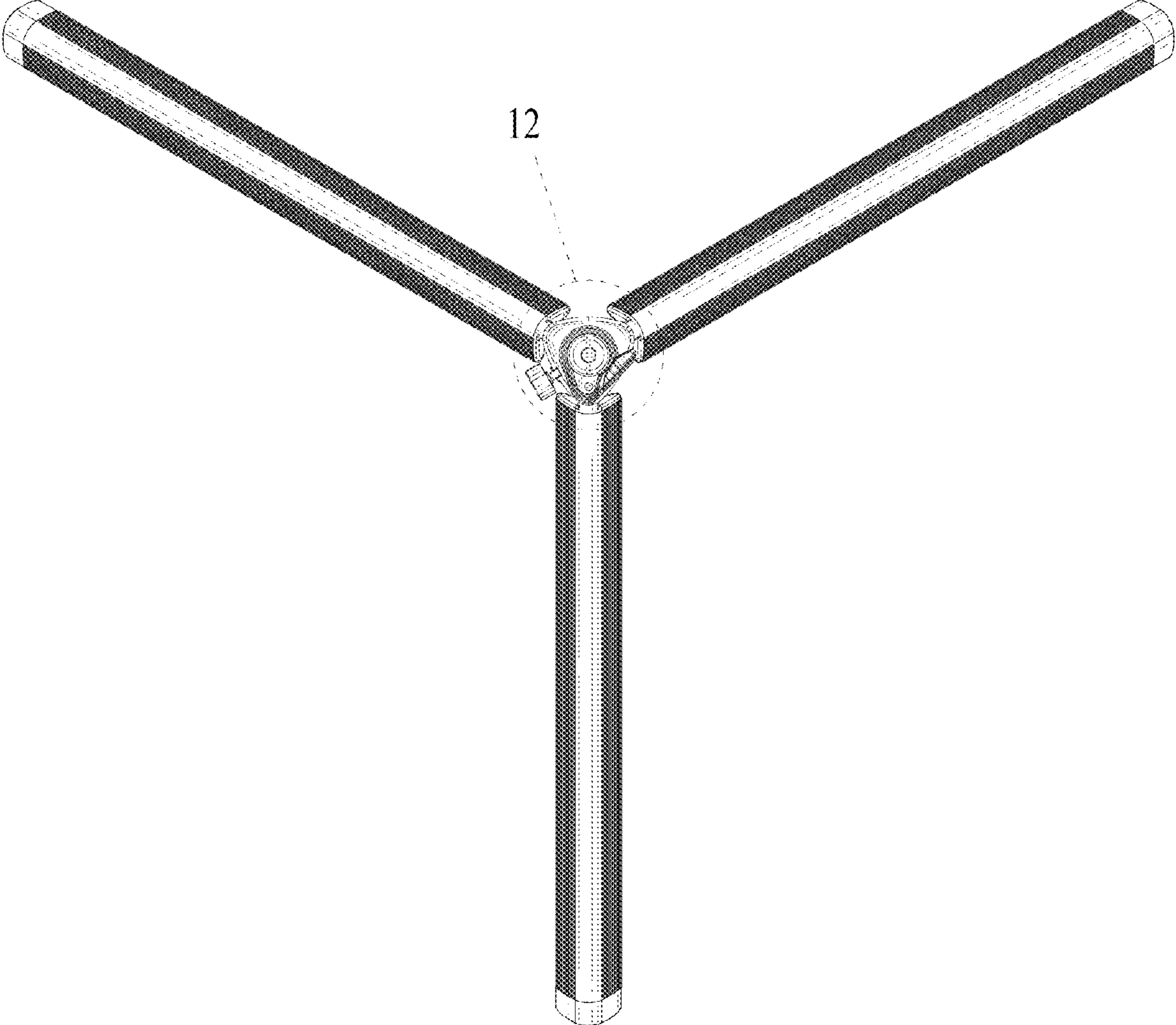


FIG. 7

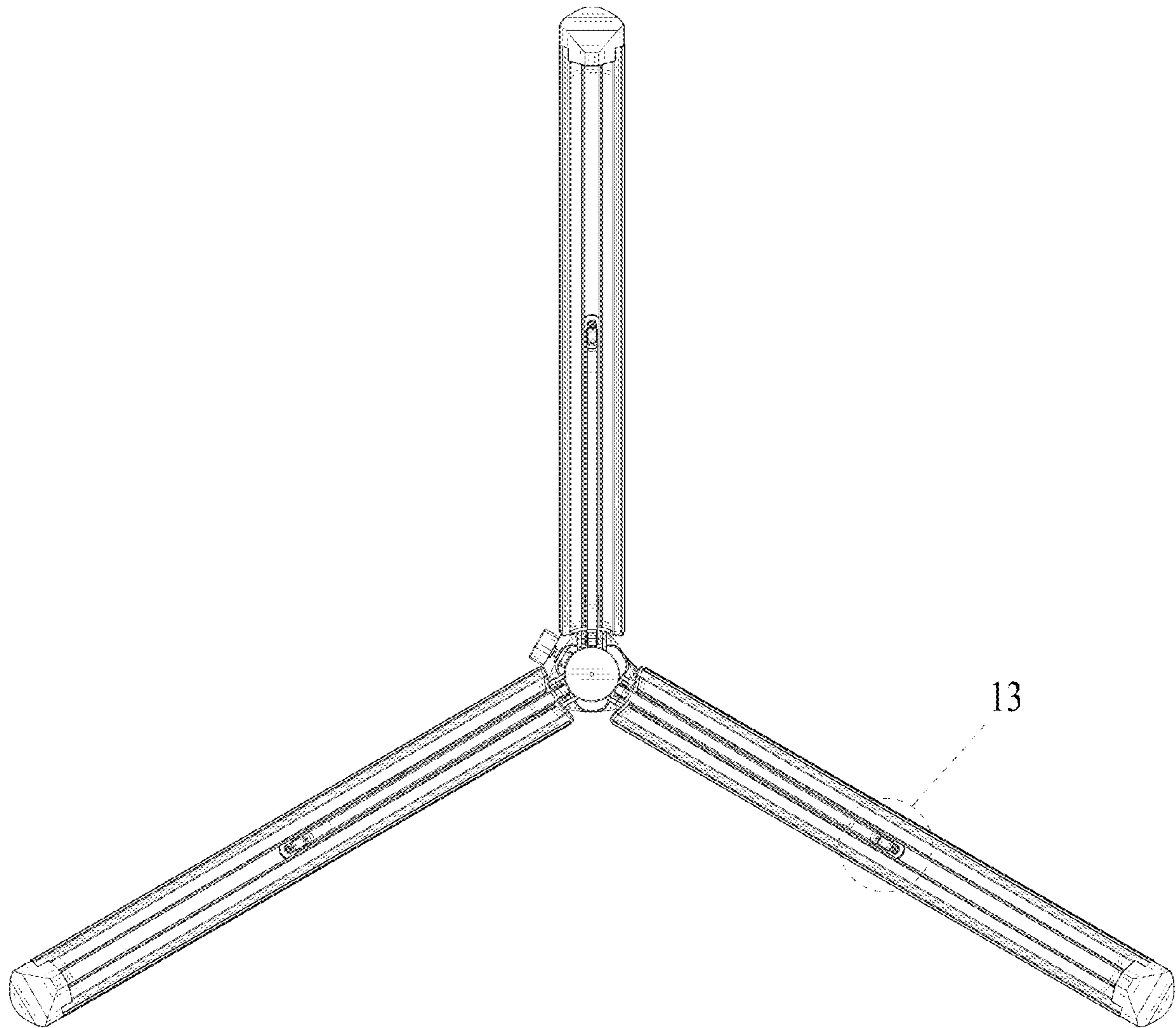


FIG. 8

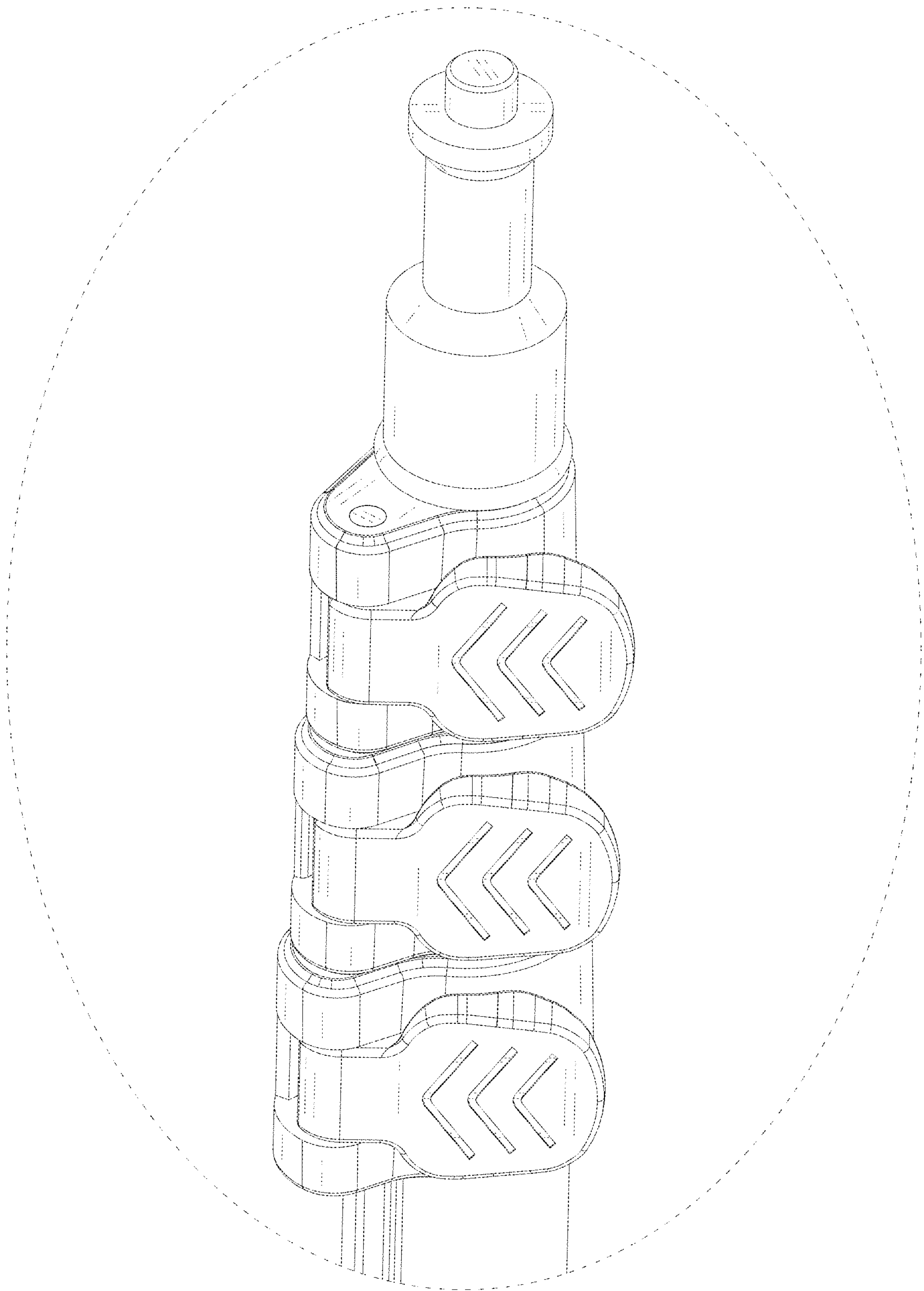


FIG. 9

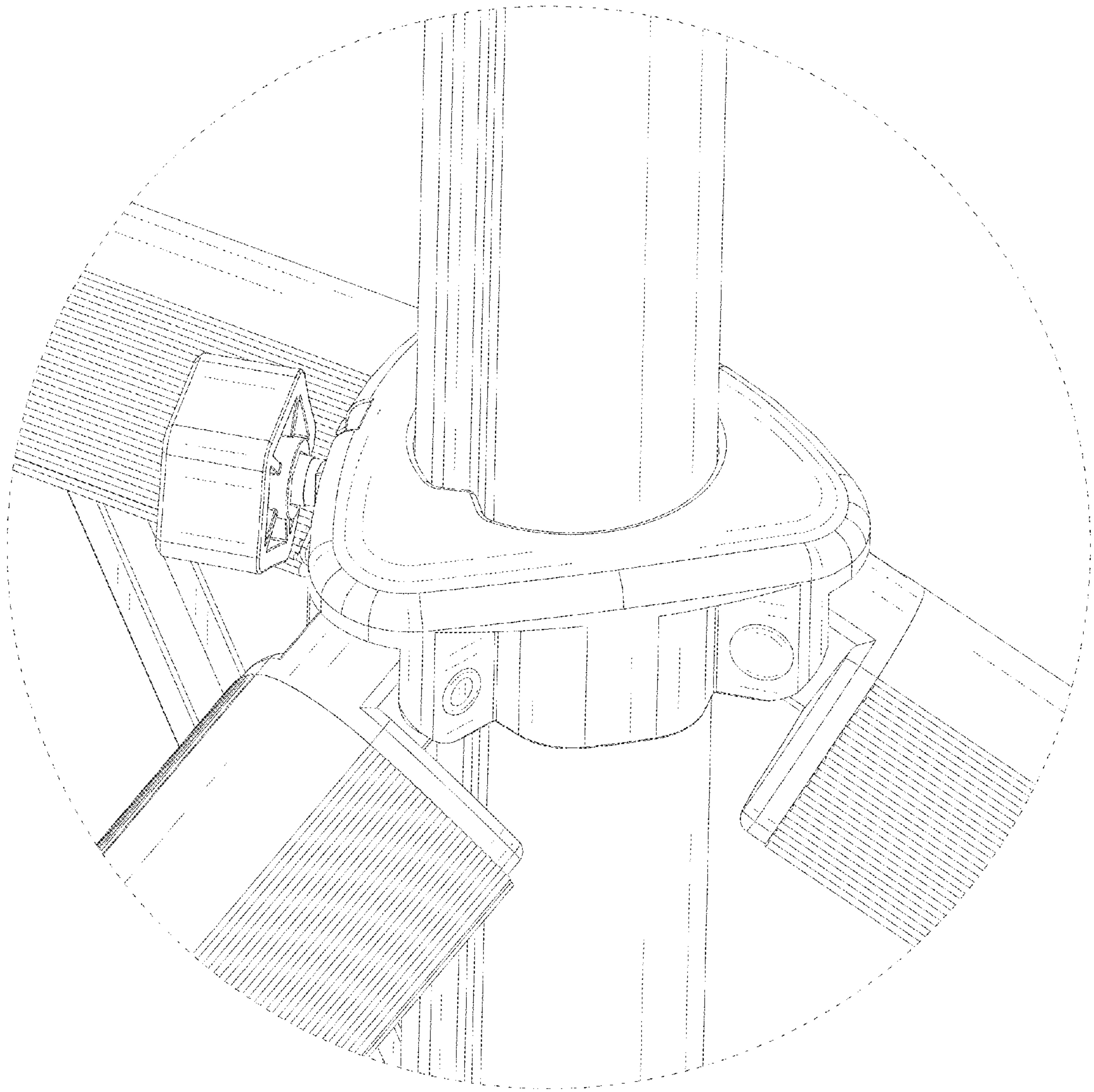


FIG. 10

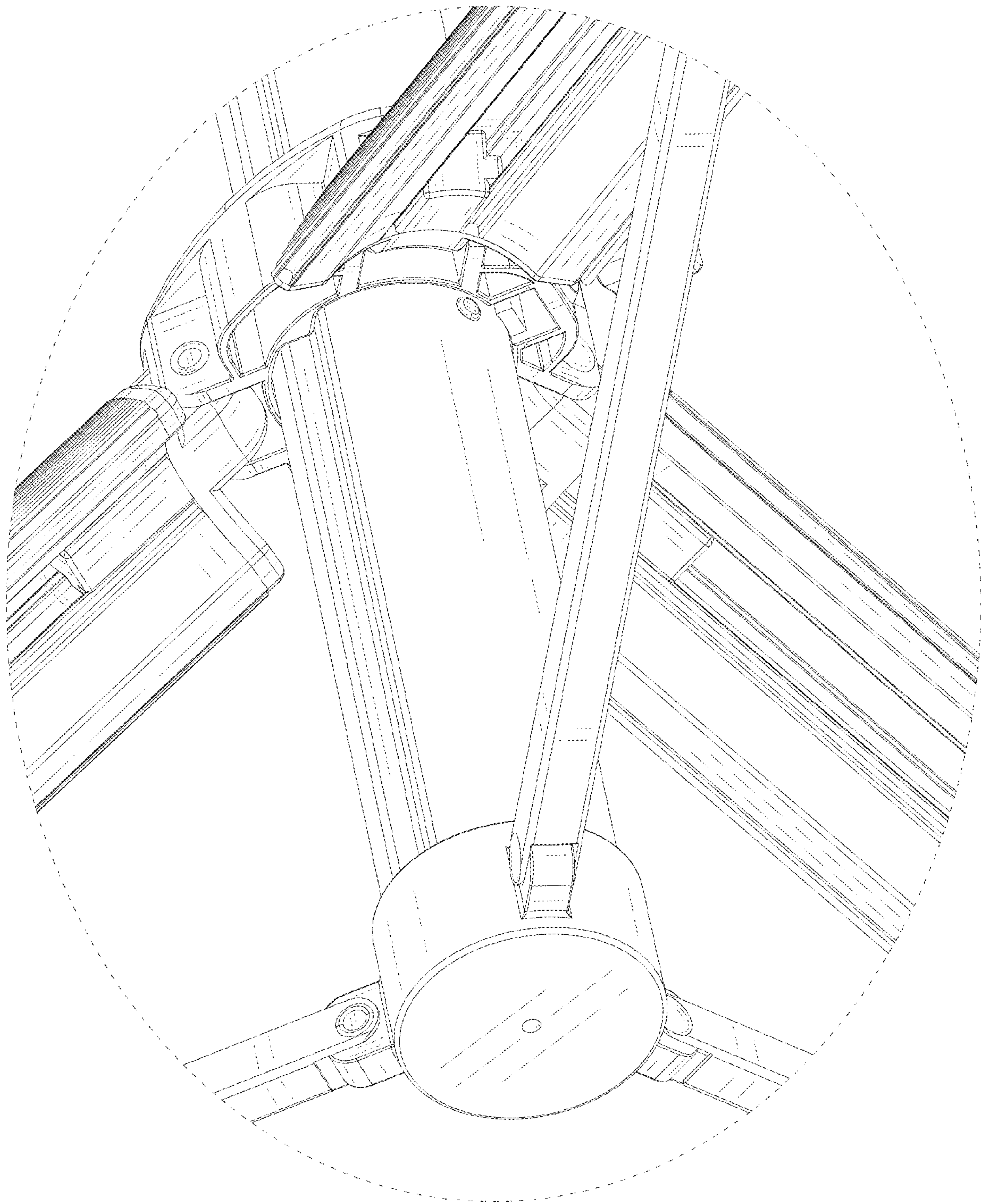


FIG. 11

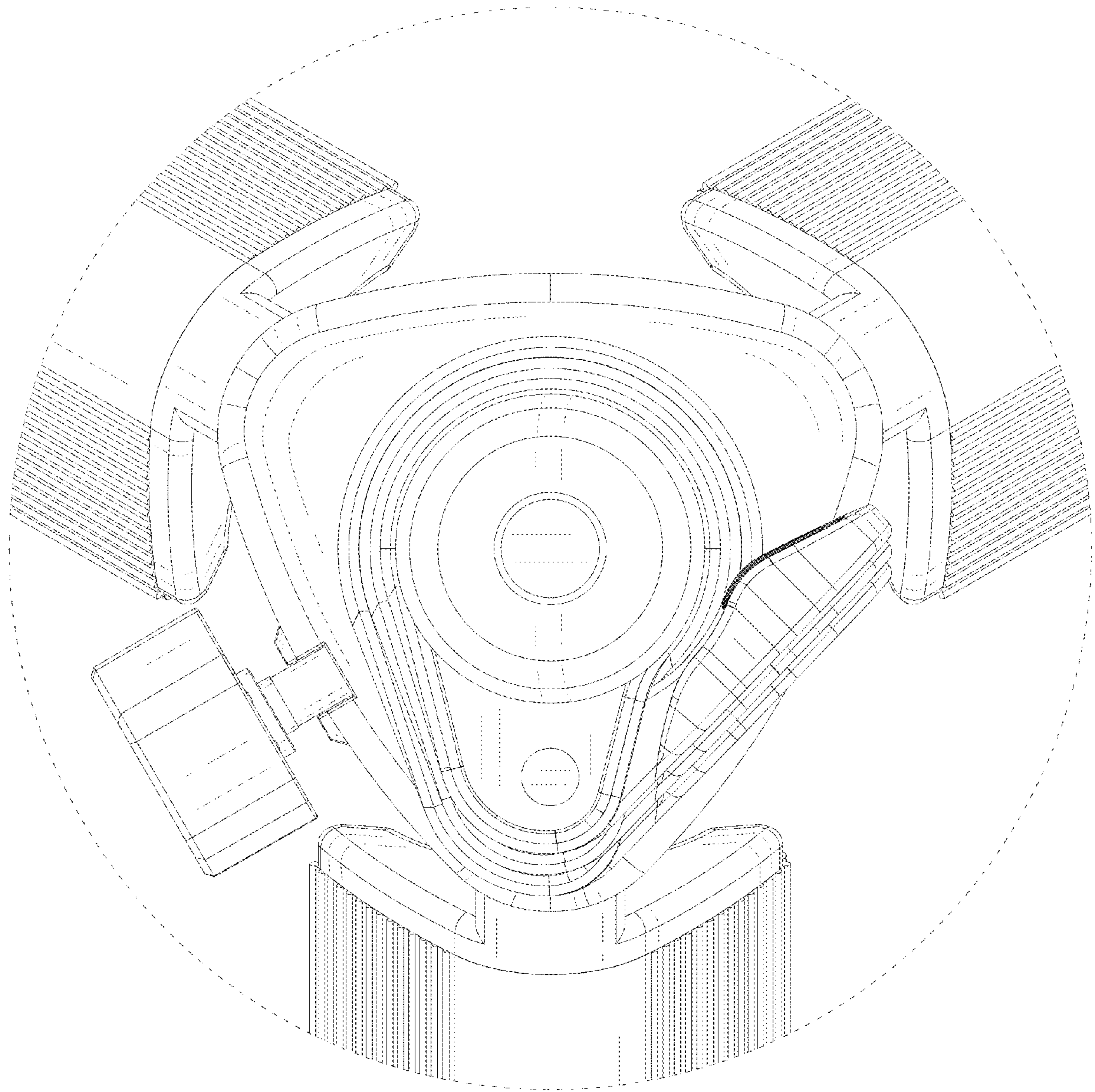


FIG. 12

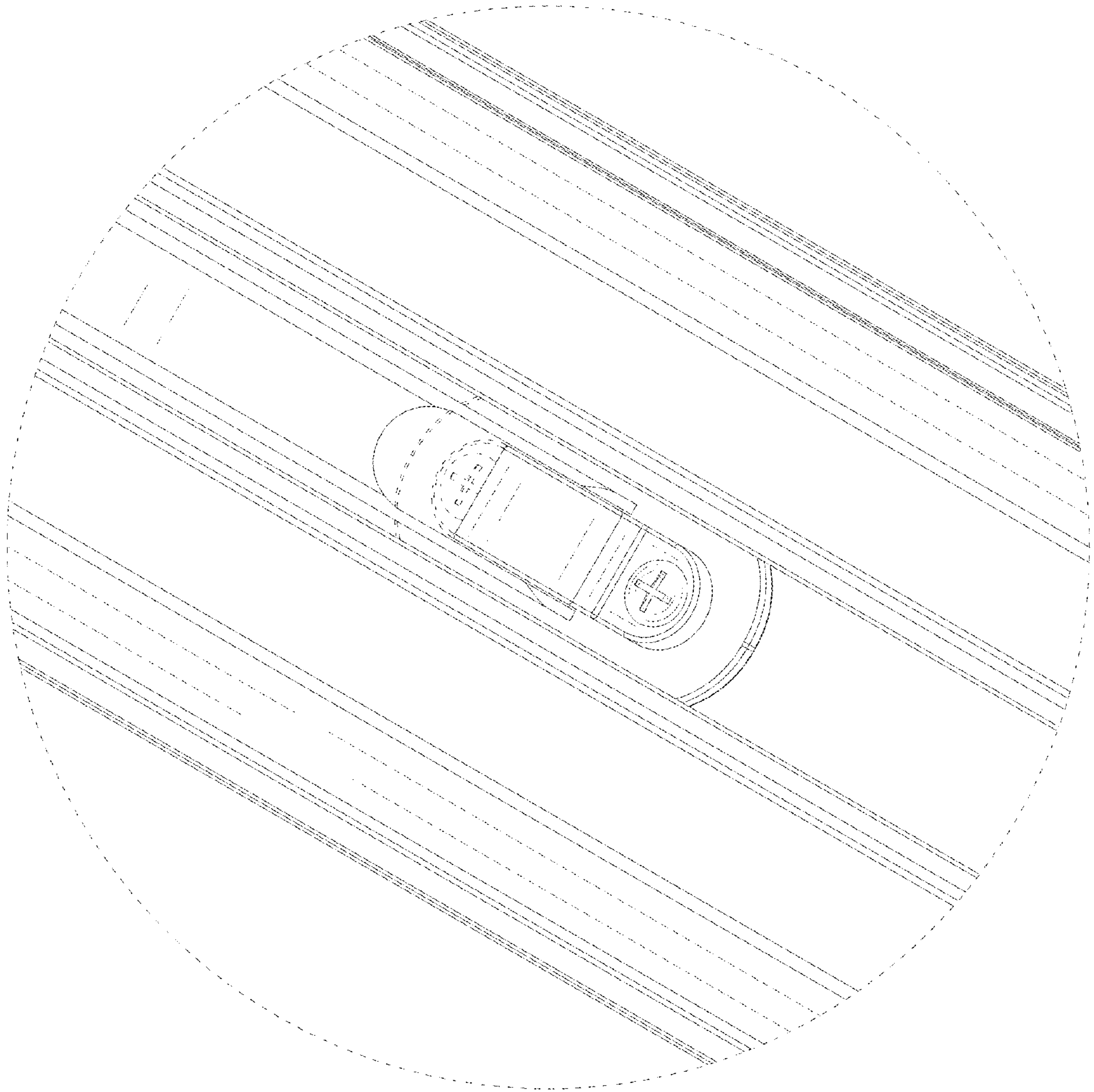


FIG. 13

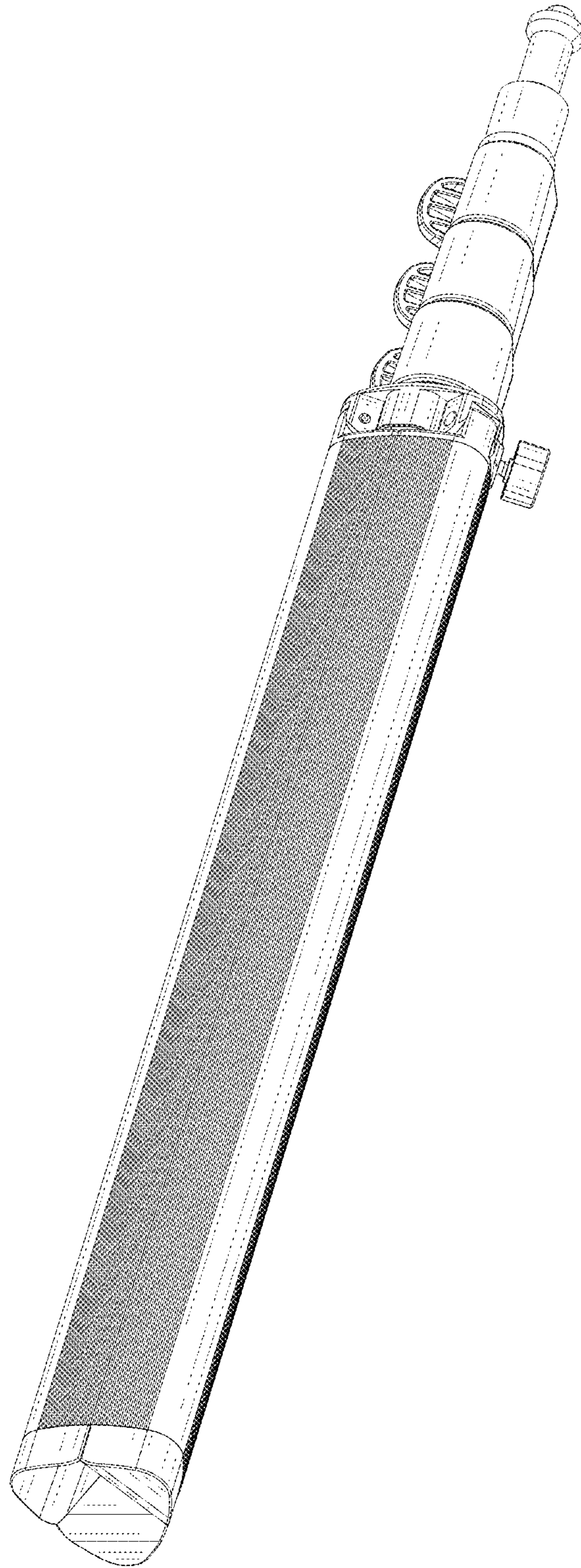


FIG. 14

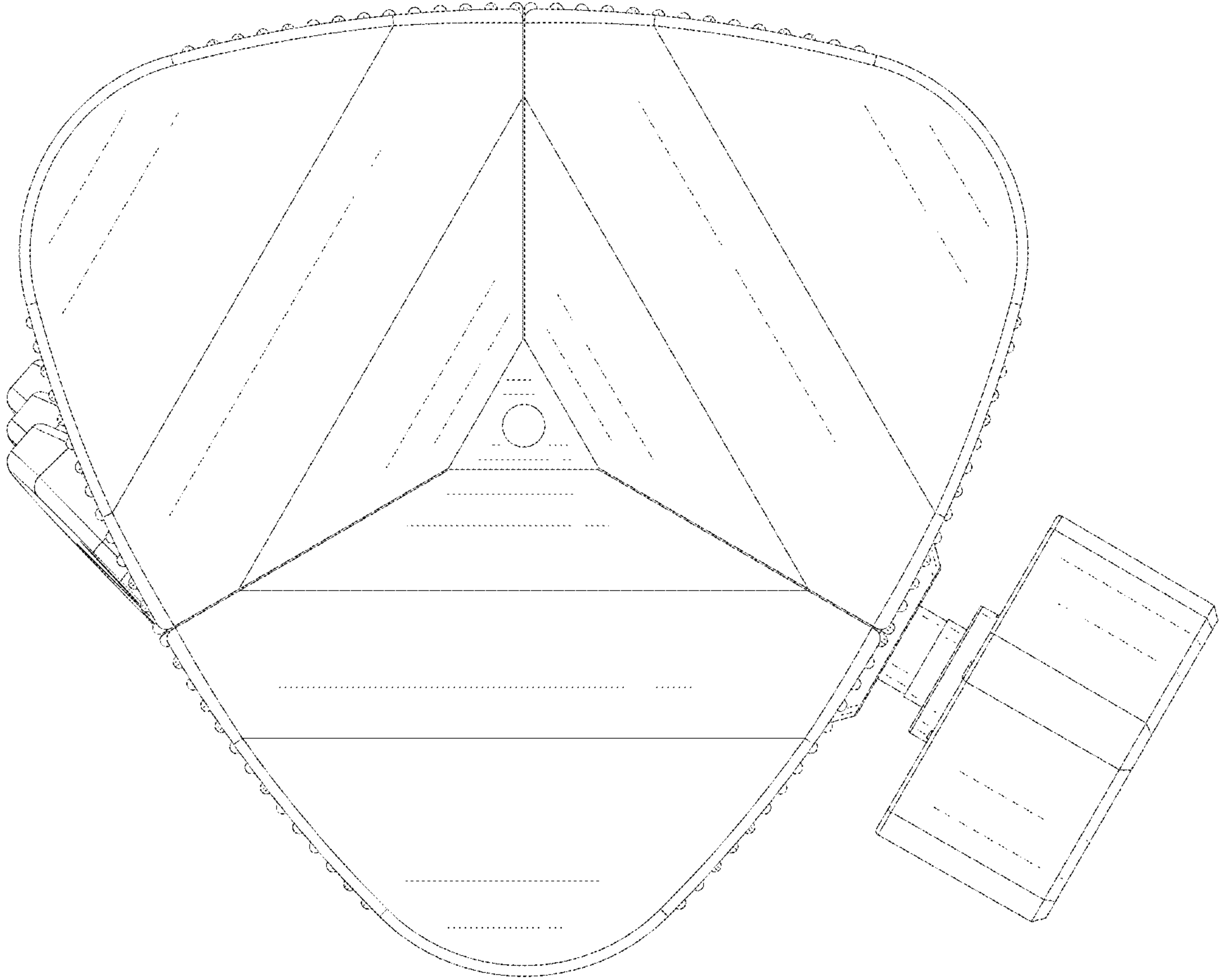


FIG. 15