



US00D958231S

(12) **United States Design Patent** (10) **Patent No.:** **US D958,231 S**  
**Burns et al.** (45) **Date of Patent:** **\*\* Jul. 19, 2022**

(54) **CAMERA MOUNT**

(71) Applicant: **Amazon Technologies, Inc.**, Seattle, WA (US)  
(72) Inventors: **Thomas Burns**, Boston, MA (US); **Michael O'Connor**, Charlestown, MA (US); **Paul Douglas Grearson**, Andover, MA (US); **Jonathan Howard Biddle**, San Francisco, CA (US)

(73) Assignee: **Amazon Technologies, Inc.**, Seattle, WA (US)

(\*\*) Term: **15 Years**

(21) Appl. No.: **29/740,929**

(22) Filed: **Jul. 8, 2020**

(51) **LOC (13) Cl.** ..... **16-05**

(52) **U.S. Cl.**  
USPC ..... **D16/242**

(58) **Field of Classification Search**  
USPC .... D2/870, 878; D8/14, 300, 303, 306, 307, D8/321, 323, 324, 325, 349, 499; D13/183, 184, 107, 108, 109, 119, 120, D13/133, 134, 135, 139.4, 154, 156, 173; D14/313, 316, 317, 324, 341, 372, 375, D14/376, 377, 432, 203.3, 203.5, 482, D14/224, 217, 229; D16/214, 234, 235, D16/236, 242, 243, 244, 245, 250, 131, D16/132, 237, 136, 239, 240, 203.8, 194, D16/195; D21/333, 374, 385, 395, 455, D21/461, 514, 561, 804; D24/137  
CPC ..... A45F 5/00; A45F 5/10; F16M 11/06-10; F16M 11/14; F16M 9/00; F16M 13/00; G02B 7/00-002; G02B 23/16; G03B 17/56; G03B 17/561-566; H04N 5/2253-2254; H04N 5/44; B65D 43/22; Y10T 292/23; Y10T 292/34; Y10S 220/908; B25B 1/103; B25B 1/205; F16G 11/04; F16B 21/075; F16B 19/1081; G06F

(Continued)

(56) **References Cited**

U.S. PATENT DOCUMENTS

D583,572 S \* 12/2008 Zhai ..... D14/371  
D591,518 S \* 5/2009 Zhai ..... D14/371

(Continued)

FOREIGN PATENT DOCUMENTS

KR 300601384.0000 \* 6/2011

OTHER PUBLICATIONS

“Blink Mini” pictured review Apr. 16, 2020 [online],[site visited Nov. 22, 2021]<URL:https://www.amazon.com/Blink-Mini-plug-security-detection/dp/B07X6C9RMF/ref=sr\_1\_1?keywords=blink%2Bmini&qid=1638551282&s=electronics&sr=1-1&th=1>(Year: 2020).\*

(Continued)

*Primary Examiner* — Sanjeev Paul  
*Assistant Examiner* — Loryn Korrine LeBlanc  
(74) *Attorney, Agent, or Firm* — Lee & Hayes, P.C.

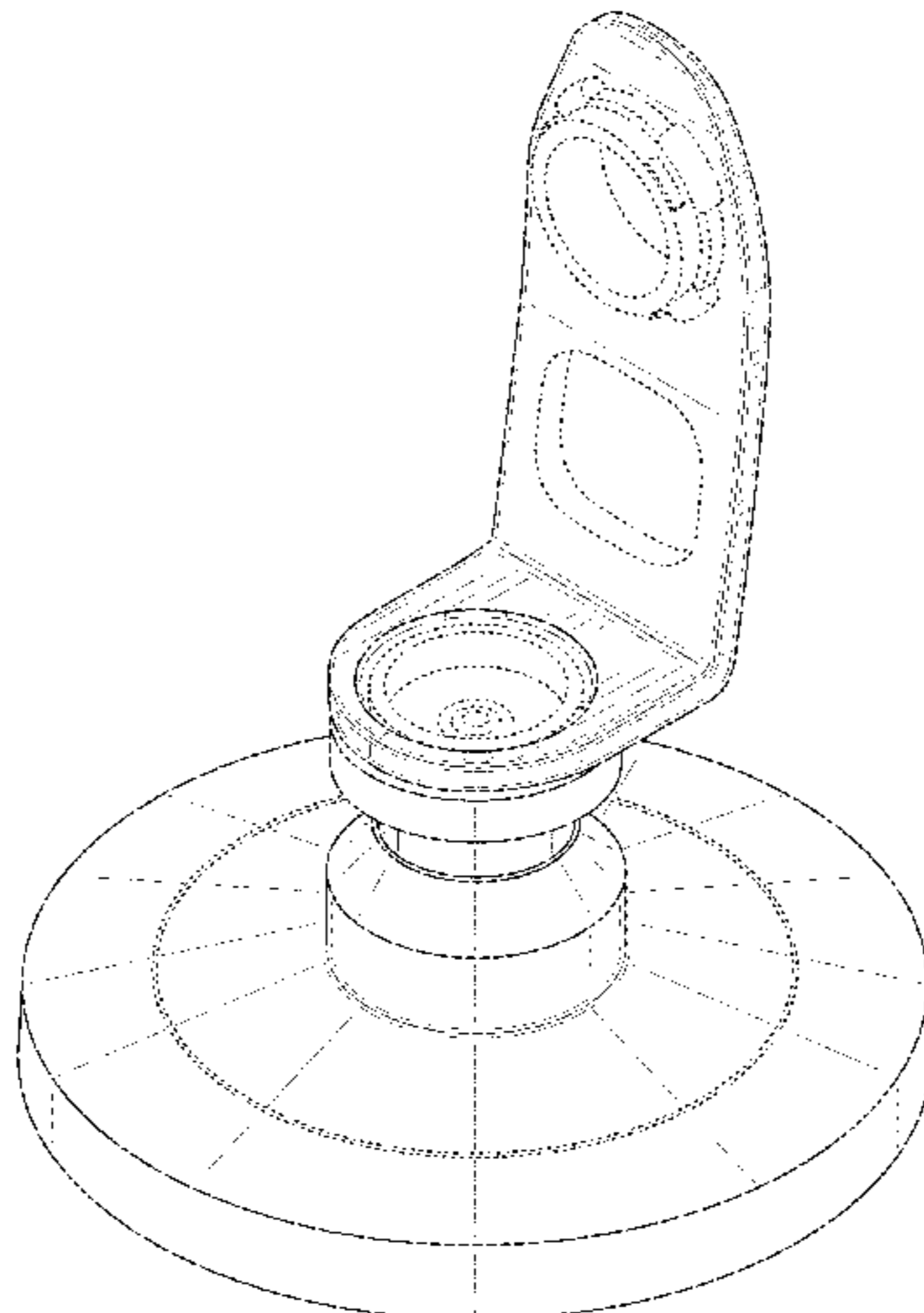
(57) **CLAIM**

The ornamental design for a camera mount, as shown and described.

**DESCRIPTION**

FIG. 1 is a top, back, left-side perspective view of a camera mount;  
FIG. 2 is a top, front, right-side perspective view thereof;  
FIG. 3 is a back view thereof;  
FIG. 4 is a front view thereof;  
FIG. 5 is a right-side view thereof;  
FIG. 6 is a left-side view thereof;  
FIG. 7 is a top view thereof; and,  
FIG. 8 is a bottom view thereof.  
The dashed broken lines depict portions of the camera mount that form no part of the claimed design.

**1 Claim, 8 Drawing Sheets**



(58) **Field of Classification Search**

CPC ..... 1/1603; G08C 19/12; G08C 23/04; H02G  
13/40; H04L 17/02; E04H 15/32  
See application file for complete search history.

(56) **References Cited**

U.S. PATENT DOCUMENTS

8,282,054	B2 *	10/2012	Hayashi .....	H04M 1/04 248/176.1
D757,835	S *	5/2016	Tabuchi .....	D16/203
D839,948	S *	2/2019	Chueh .....	D16/242
D841,641	S *	2/2019	Huang .....	D14/253
D867,106	S *	11/2019	Blattel .....	D8/349
D867,355	S *	11/2019	Chun .....	D14/253
D870,712	S *	12/2019	Yin .....	D14/224
D872,166	S *	1/2020	Chun .....	D16/244
D875,168	S *	2/2020	Kyte .....	D16/242
D878,449	S *	3/2020	Yeh .....	D16/219
D881,167	S *	4/2020	Jiao .....	D14/224
D888,138	S *	6/2020	Rao .....	D16/242
D898,808	S *	10/2020	Seffic .....	D16/245
D899,490	S *	10/2020	Fried .....	D16/242
D908,779	S *	1/2021	Lenihan .....	D16/242
D933,118	S *	10/2021	Burns .....	D16/242

OTHER PUBLICATIONS

“Blink Mini” pictured review Jan. 2, 2021 [online],[site visited Dec. 3, 2021]: <URL:https://www.amazon.com/Blink-Camera-Stand-White-Pack/dp/B08B4649J5/ref=cm\_cr\_arp\_d\_product\_top?ie=UTF8> (Year: 2021).\*

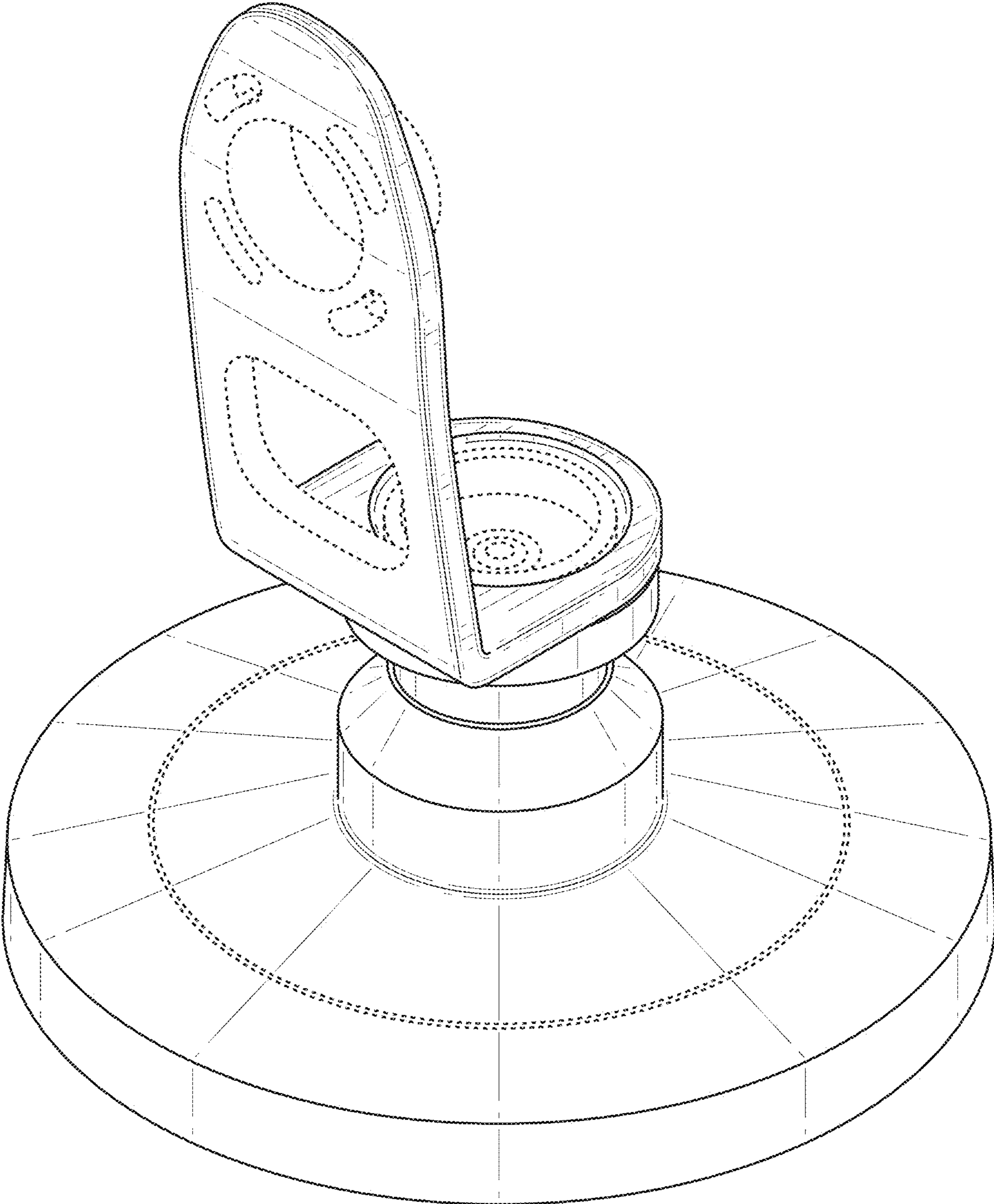
“Blink Mini” [site visited Dec. 3, 2021]: <URL:https://www.amazon.com/Blink-Camera-Stand-Black-Pack/dp/B08B44QFJJ/ref=sr\_1\_16?keywords=blink+mini+stand&qid=1638550433&s=electronics&sr=1-16> (Year: 2021).\*

Amazon search: “Blink Mini” [site visited Nov. 22, 2021]:<URL:https://support.blinkforhome.com/en\_US/camera-stand/blink-camera-stand> (Year: 2021).\*

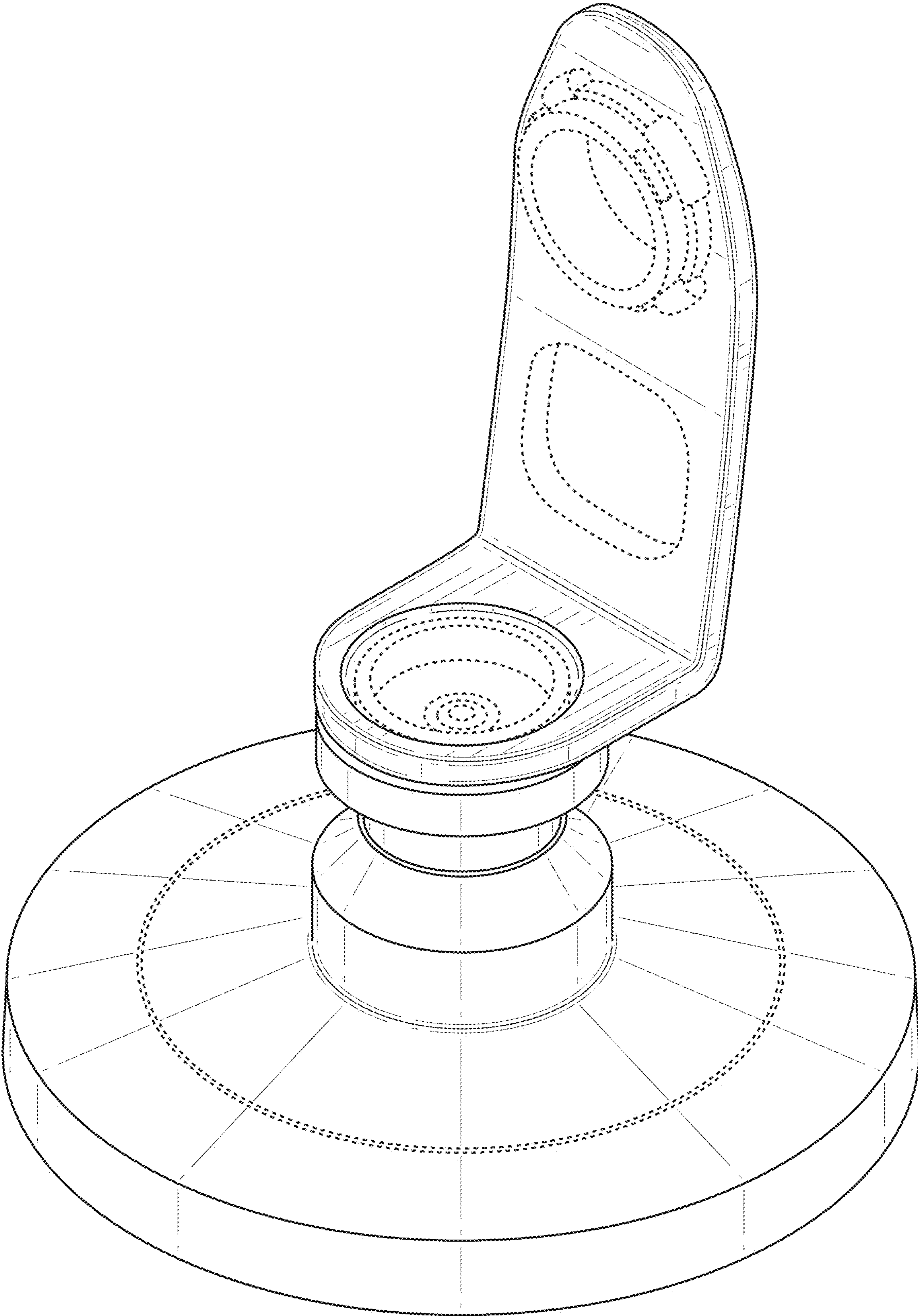
Google search: “I’shape bracket with circle camera attachment” [site visited Nov. 24, 2021] URL:<https://www.google.com/search?q=1%27shape+bracket+with+circle+camera+attachment&tbs=isch&ictx=1&tbs=rimg:CQy\_1FutUVEOOIggMvxbrVF%E2%80%A6> (Year: 2021).\*

Amazon search: “Blink Camera Stand” [site visited Dec. 3, 2021] URL:<https://www.amazon.com/s?k=blink+camera+stand&ref=nb\_sb\_noss\_2> (Year: 2021).\*

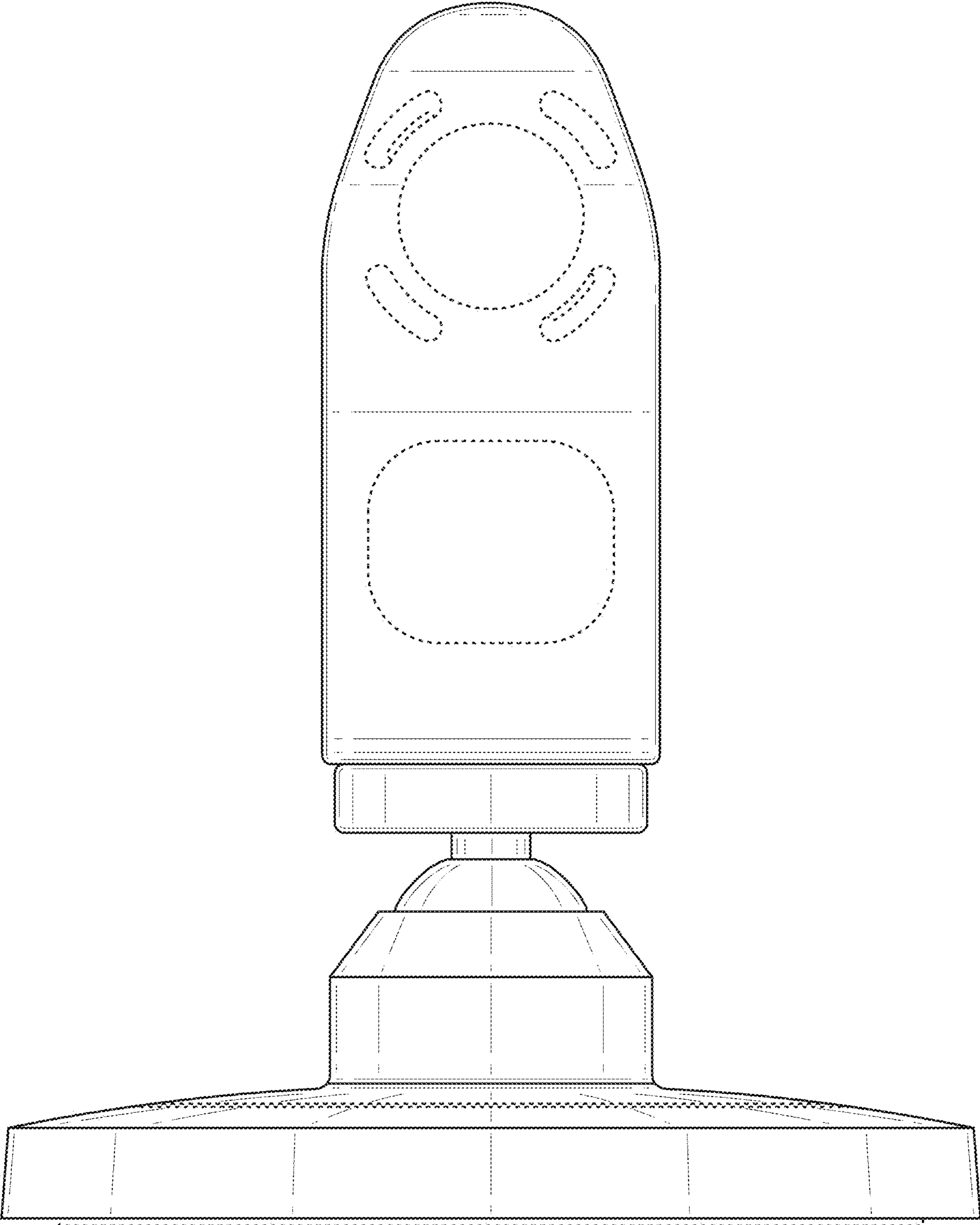
\* cited by examiner



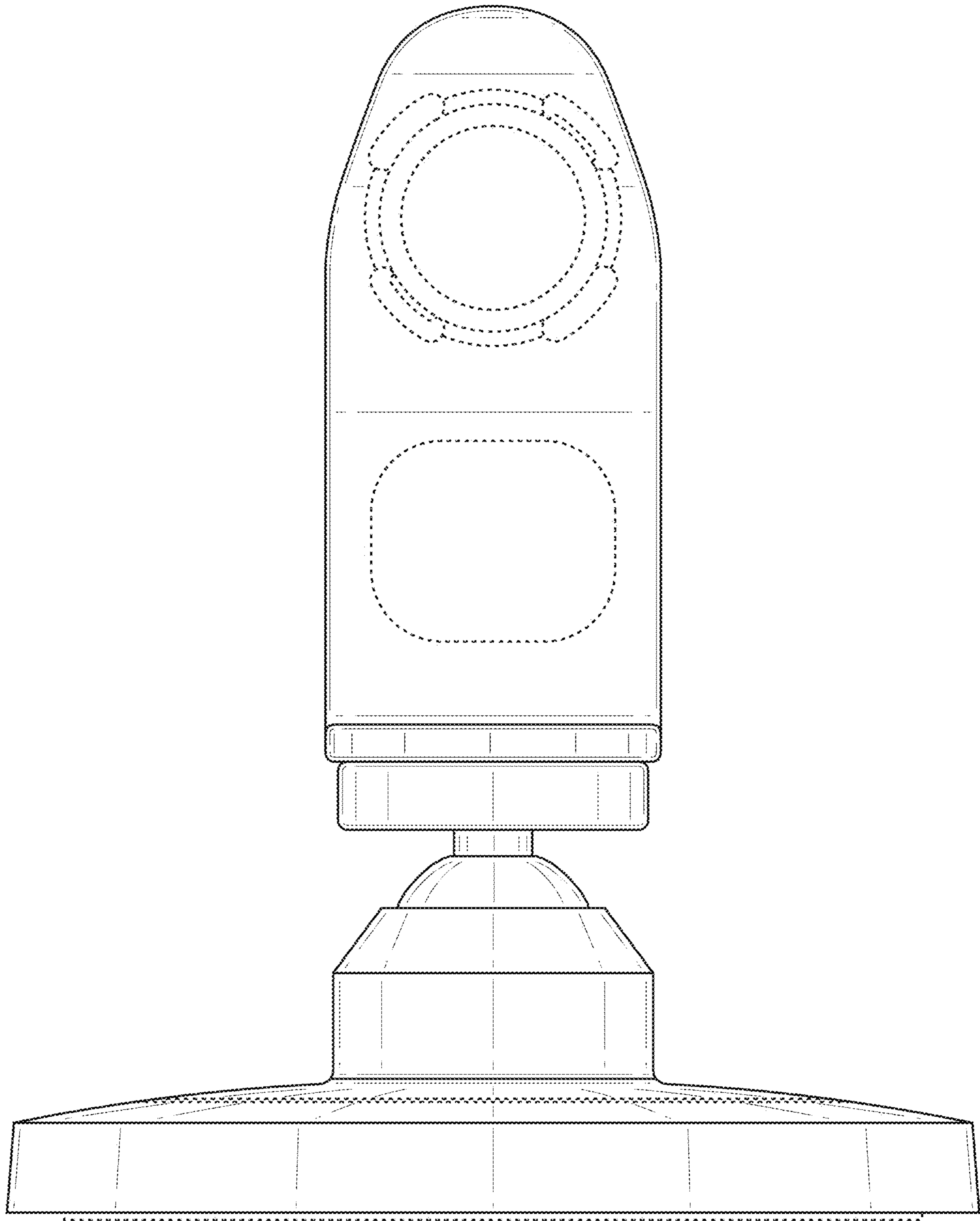
**FIG. 1**



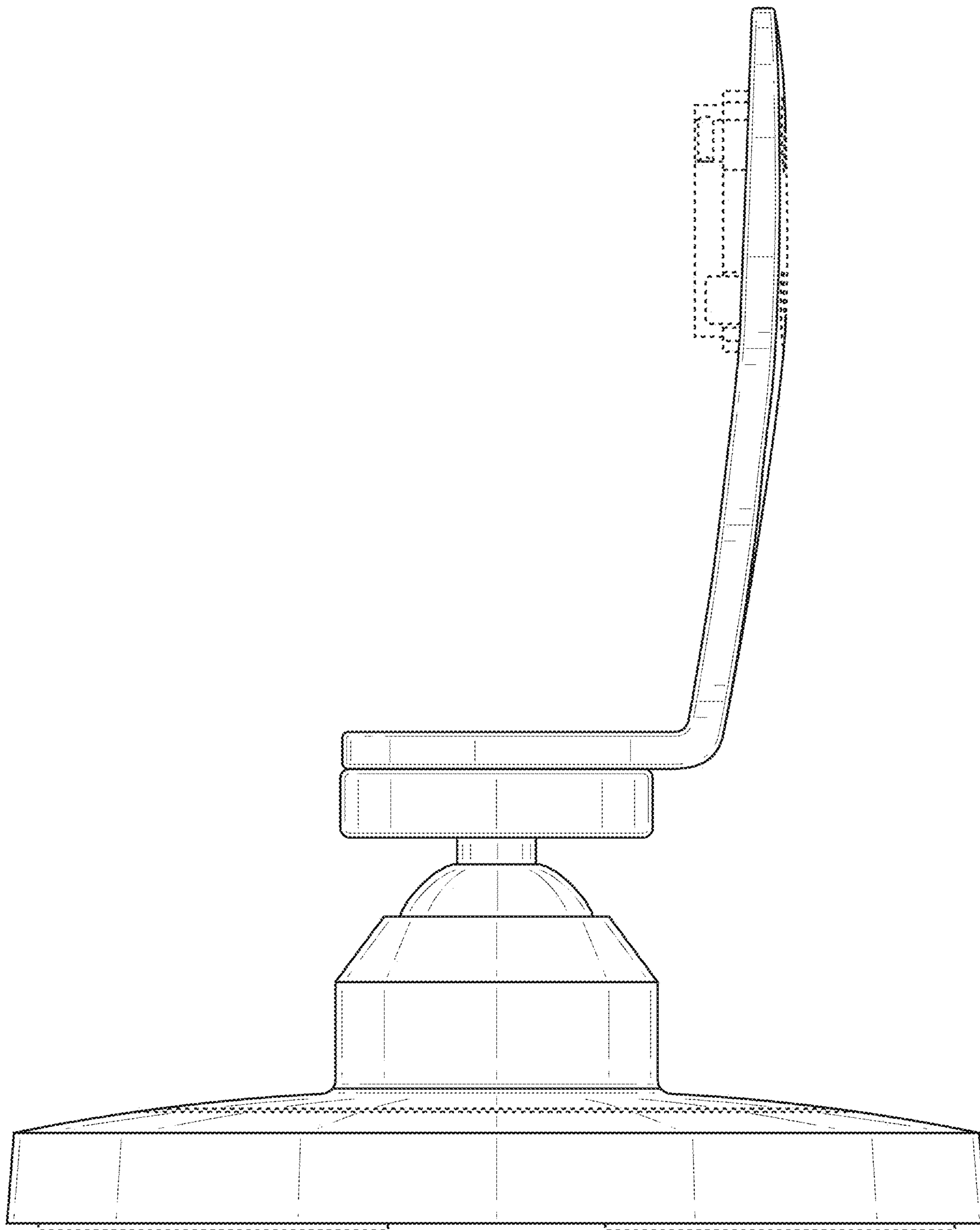
**FIG. 2**



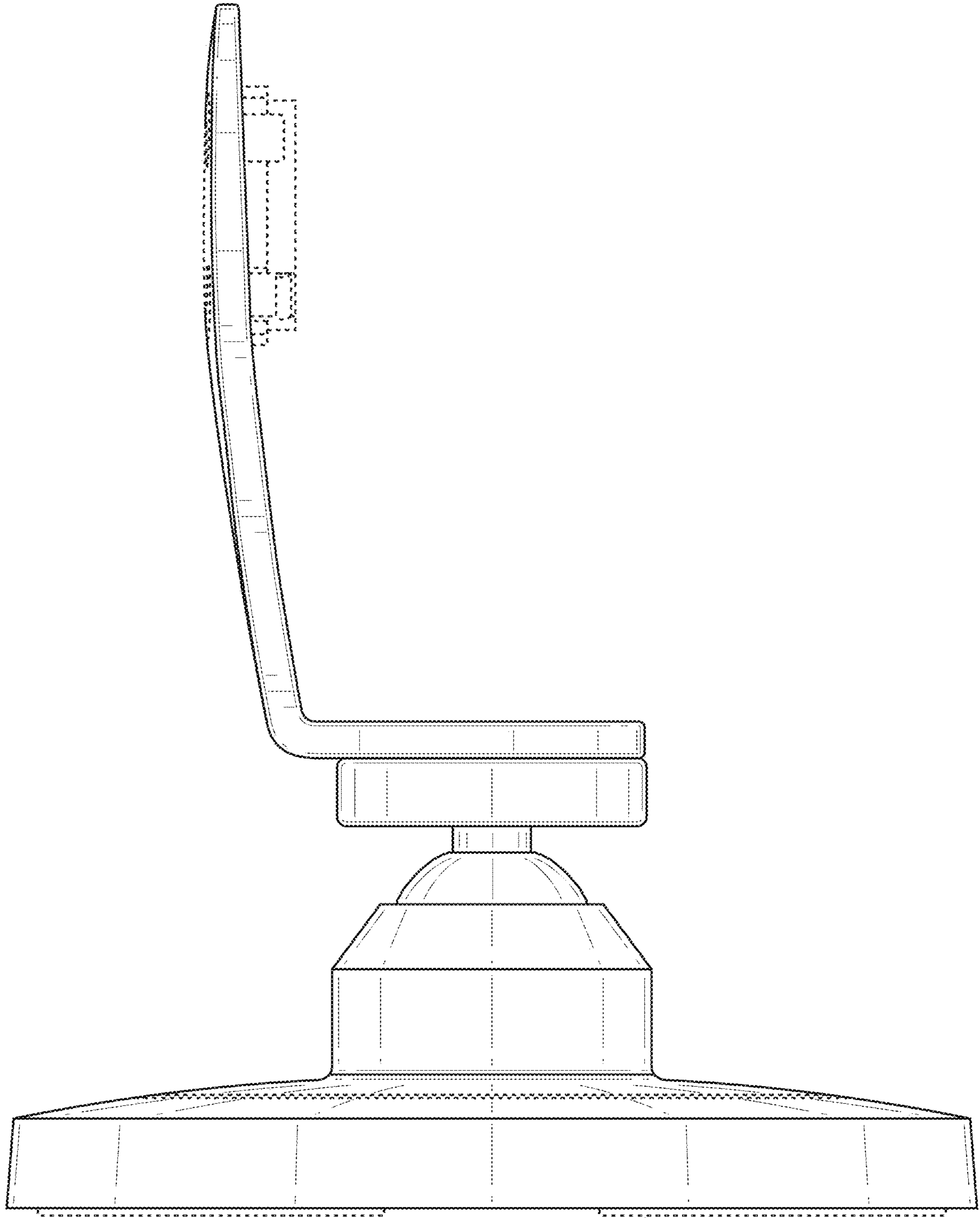
**FIG. 3**



**FIG. 4**

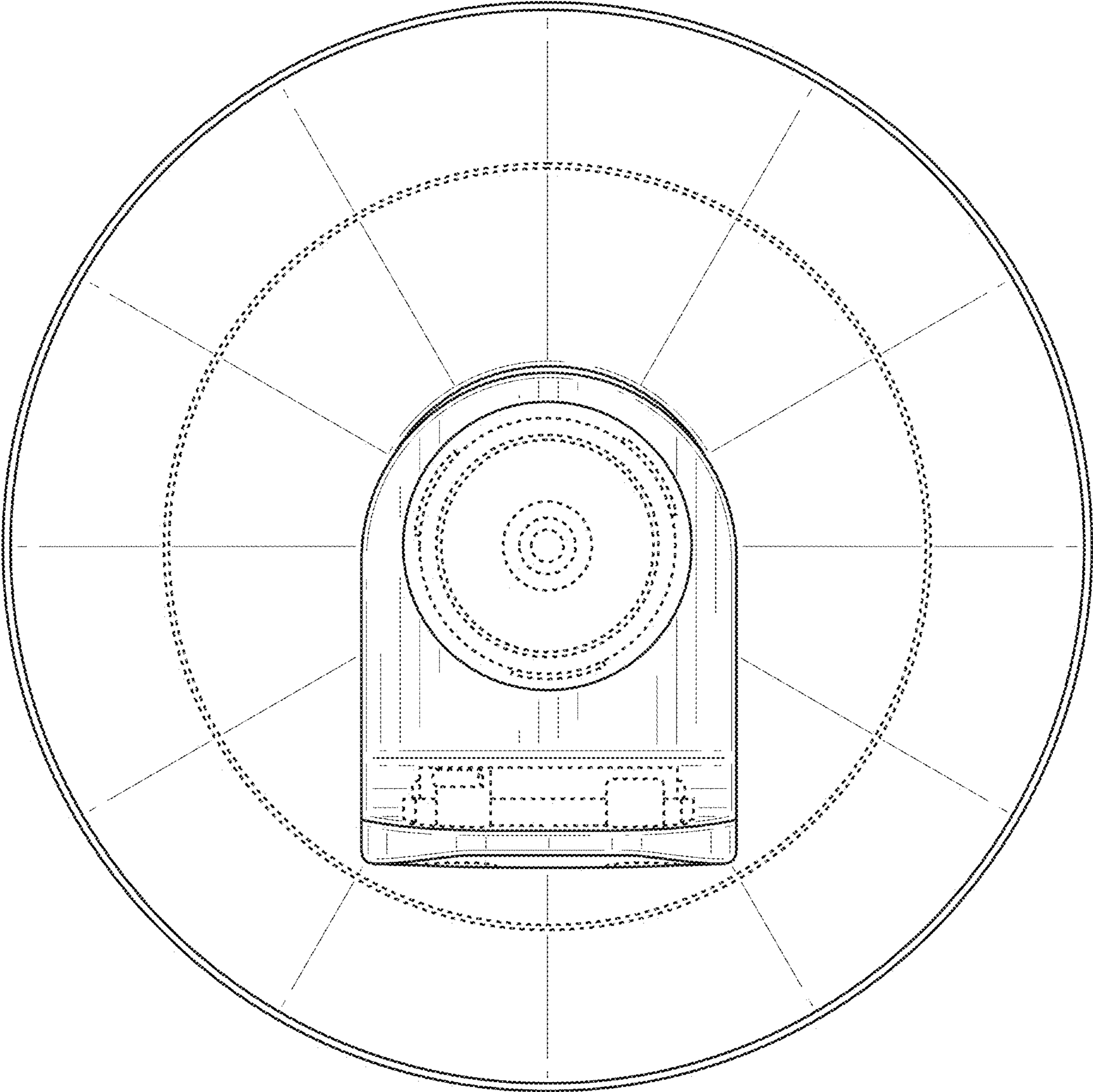


**FIG. 5**

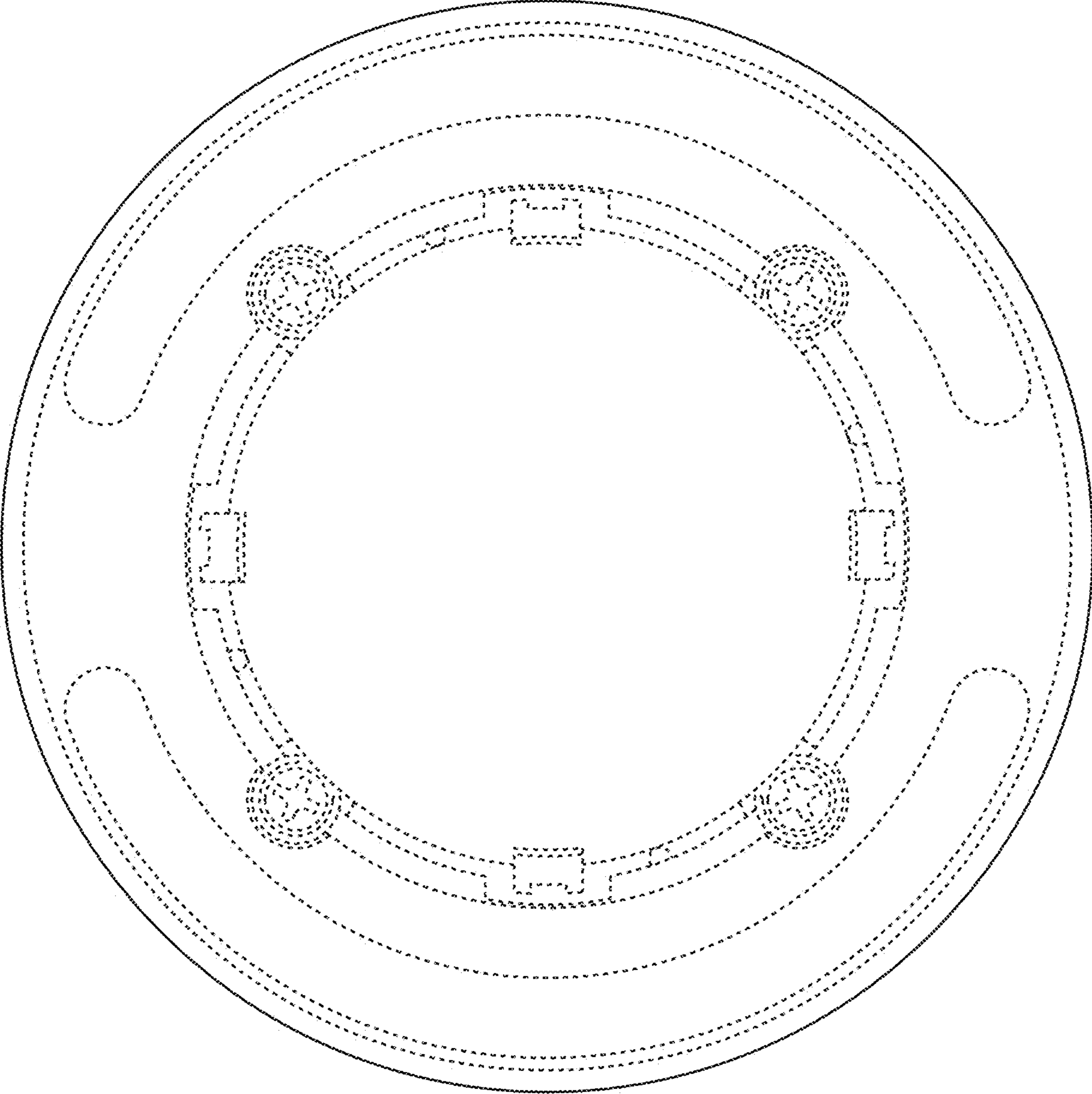


**FIG. 6**





**FIG. 7**



**FIG. 8**