



US00D958230S

(12) **United States Design Patent**  
**Kang et al.**

(10) **Patent No.:** **US D958,230 S**  
(45) **Date of Patent:** **\*\* Jul. 19, 2022**

(54) **BEAM PROJECTOR**

FOREIGN PATENT DOCUMENTS

(71) Applicant: **SAMSUNG ELECTRONICS CO., LTD.**, Suwon-si (KR)

CN 305014692 S 1/2019  
CN 305087455 S 3/2019

(Continued)

(72) Inventors: **Byung-Wook Kang**, Suwon-si (KR); **Sung Il Bang**, Suwon-si (KR); **Jun-Pyo Kim**, Suwon-si (KR); **Ji-Gwang Kim**, Suwon-si (KR)

*Primary Examiner* — Wan Laymon  
(74) *Attorney, Agent, or Firm* — Cantor Colburn LLP

(73) Assignee: **SAMSUNG ELECTRONICS CO., LTD.**, Gyeonggi-Do (KR)

(57) **CLAIM**

The ornamental design for a beam projector, as shown and described.

(\*\*) Term: **15 Years**

**DESCRIPTION**

(21) Appl. No.: **29/737,451**

(22) Filed: **Jun. 9, 2020**

(30) **Foreign Application Priority Data**

Jan. 3, 2020 (KR) ..... 30-2020-0000250

(51) **LOC (13) Cl.** ..... **16-02**

(52) **U.S. Cl.**  
USPC ..... **D16/235; D16/230**

(58) **Field of Classification Search**  
USPC ..... D16/221, 225, 230–231, 234–235;  
D21/514; D14/135, 188, 265  
CPC ..... G03B 21/145; G03B 21/14; G03B 21/16;  
G03B 21/00; G03B 21/003; G03B 21/12  
See application file for complete search history.

FIG. 1 is a front perspective view of a beam projector, showing our new design according to a first embodiment; FIG. 2 is a front view thereof; FIG. 3 is a rear view thereof; FIG. 4 is a left-side view thereof; FIG. 5 is a right-side view thereof; FIG. 6 is a top view thereof; FIG. 7 is a bottom view thereof; FIG. 8 is a rear-bottom perspective view thereof; FIG. 9 is an enlarged view of the encircled portion 9 in FIG. 1; FIG. 10 is a front perspective view of a beam projector, showing our new design according to a second embodiment; FIG. 11 is a front view thereof; FIG. 12 is a rear view thereof; FIG. 13 is a left-side view thereof; FIG. 14 is a right-side view thereof; FIG. 15 is a top plan view thereof; FIG. 16 is a bottom plan view thereof; FIG. 17 is a rear-bottom perspective view thereof; and, FIG. 18 is an enlarged view of the encircled portion 18 in FIG. 10.

The even-dash broken lines illustrating portions of the beam projector form no part of the claimed design. The dot-dash broken lines encircling enlargement portions of the beam projector form no part of the claimed design.

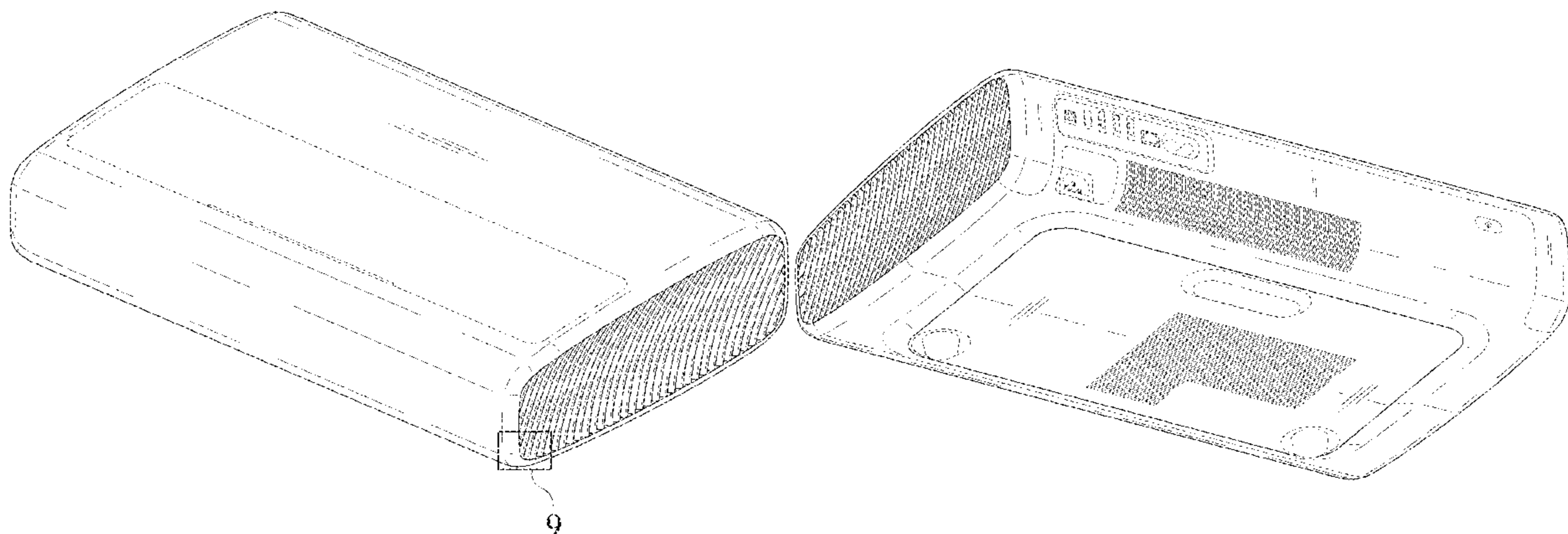
(56) **References Cited**

U.S. PATENT DOCUMENTS

D598,944 S \* 8/2009 Collet ..... D16/221  
D600,266 S \* 9/2009 Nagase  
D717,358 S \* 11/2014 Go ..... D16/230  
D769,958 S \* 10/2016 Seo ..... D16/230

(Continued)

**1 Claim, 18 Drawing Sheets**



(56)

**References Cited**

U.S. PATENT DOCUMENTS

D854,071 S \* 7/2019 Chen ..... D16/230  
D900,912 S \* 11/2020 Cho ..... D16/221

FOREIGN PATENT DOCUMENTS

CN 305362288 S 9/2019  
EM 000423066-0001 12/2005

\* cited by examiner

FIG. 1

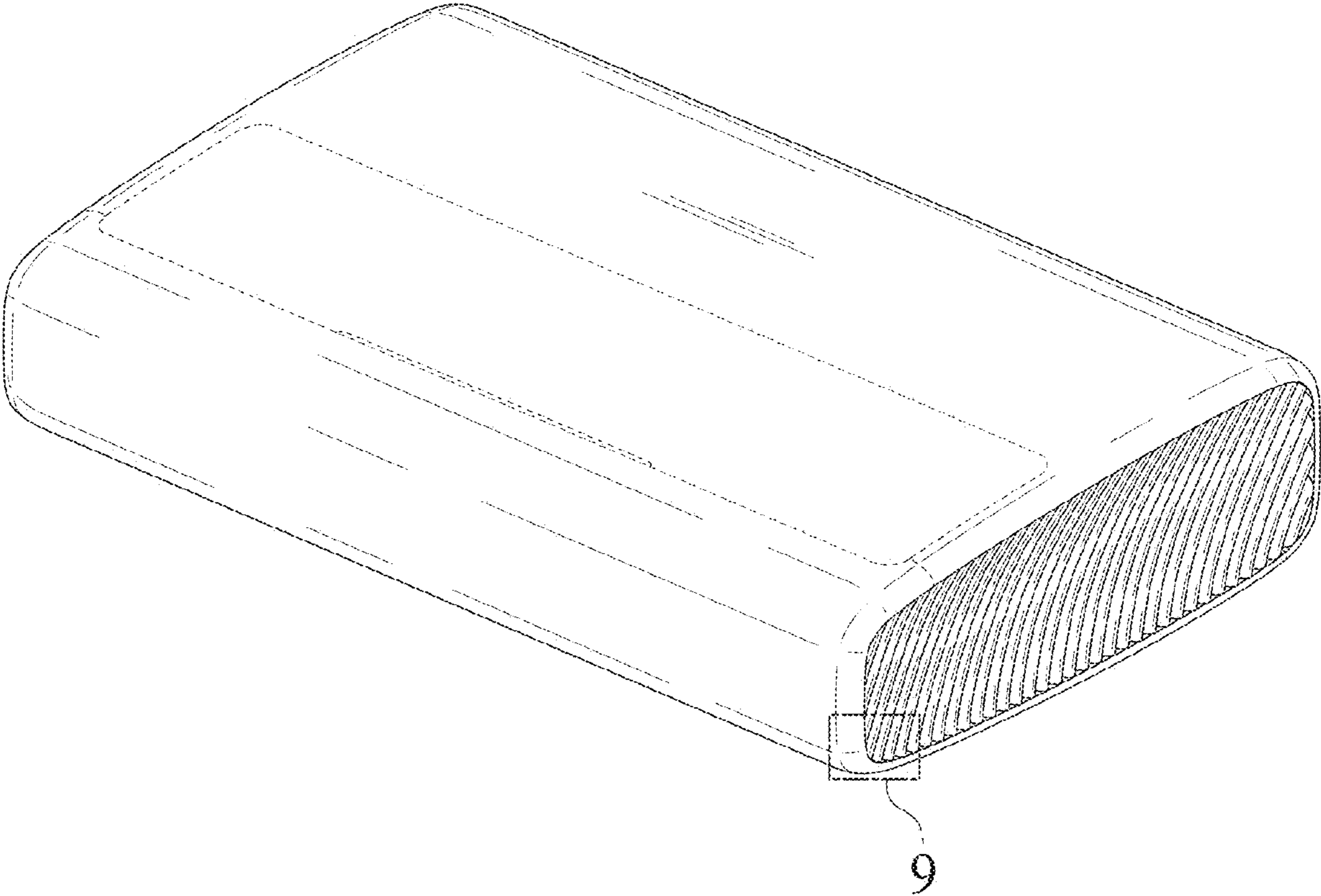


FIG. 2

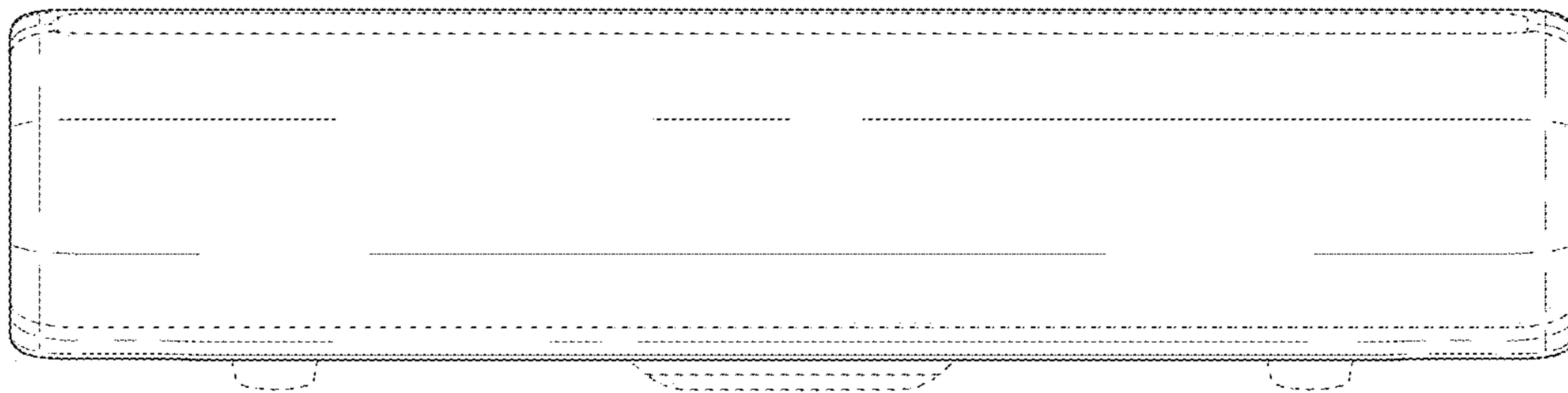


FIG. 3

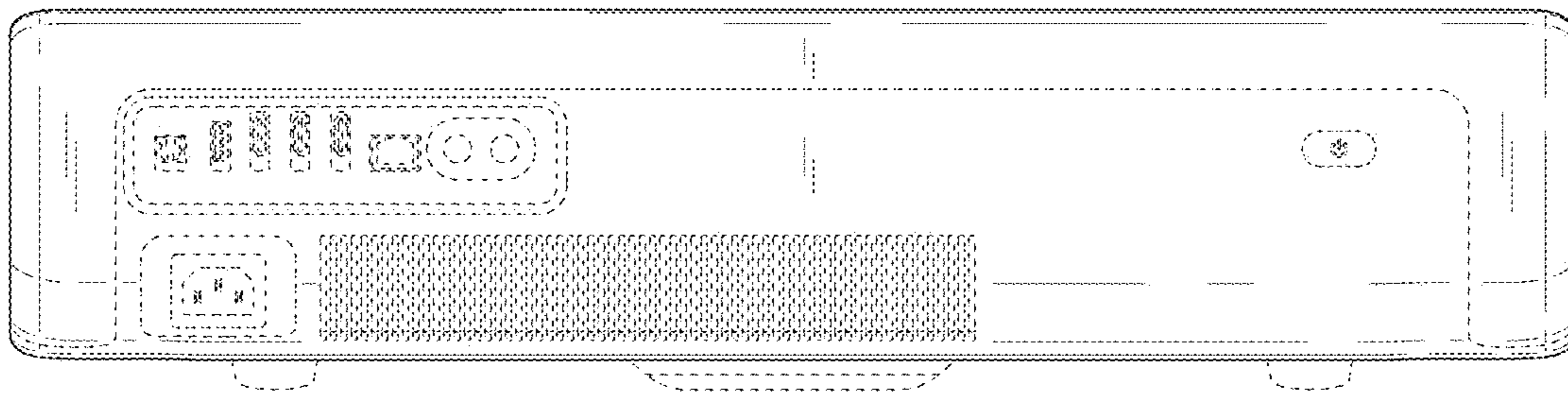


FIG. 4

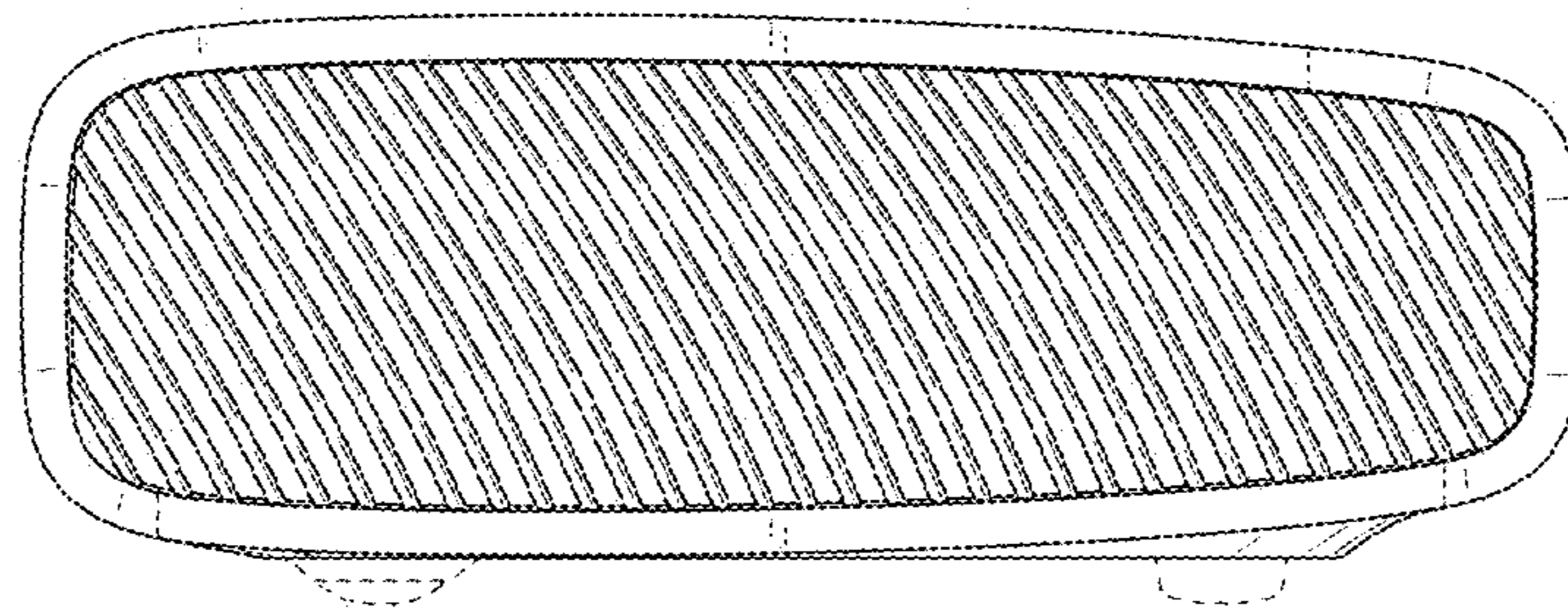


FIG. 5

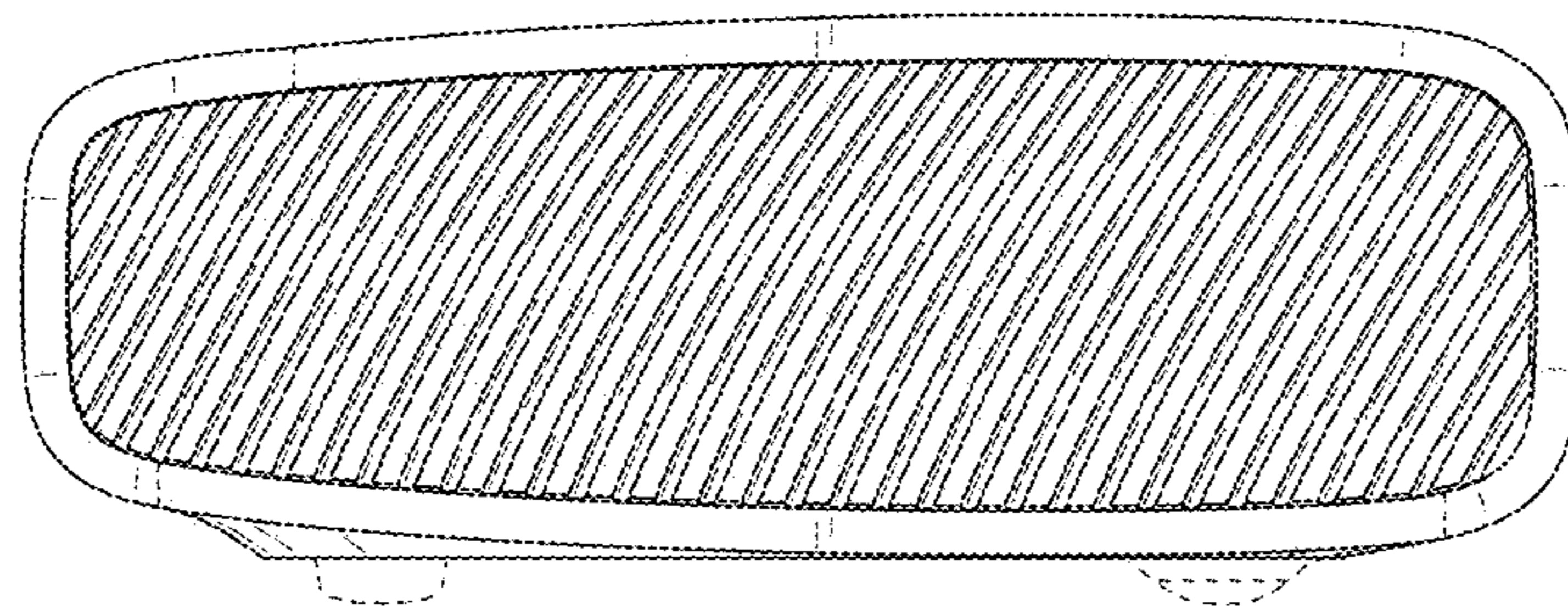


FIG. 6

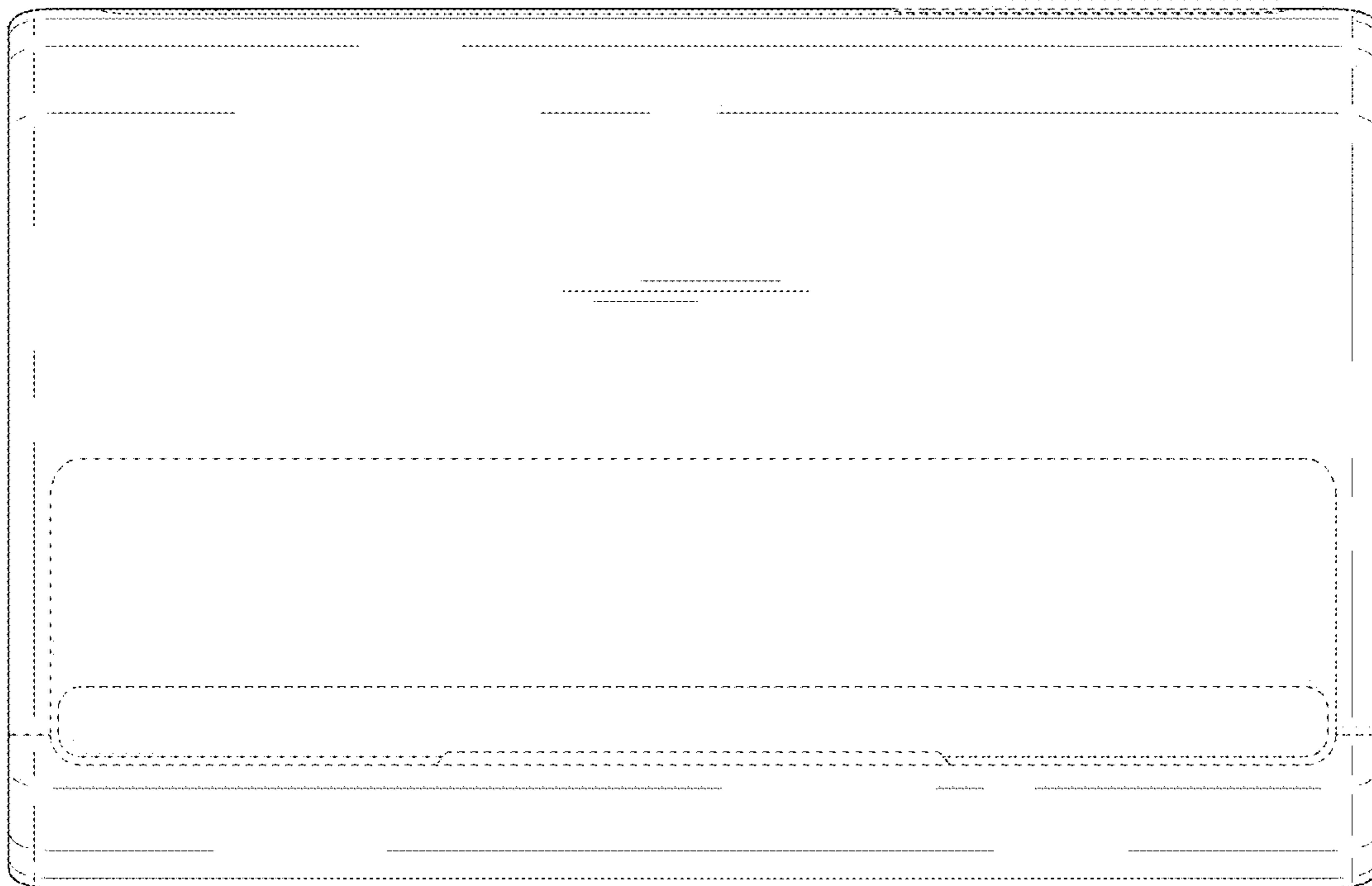




FIG. 7

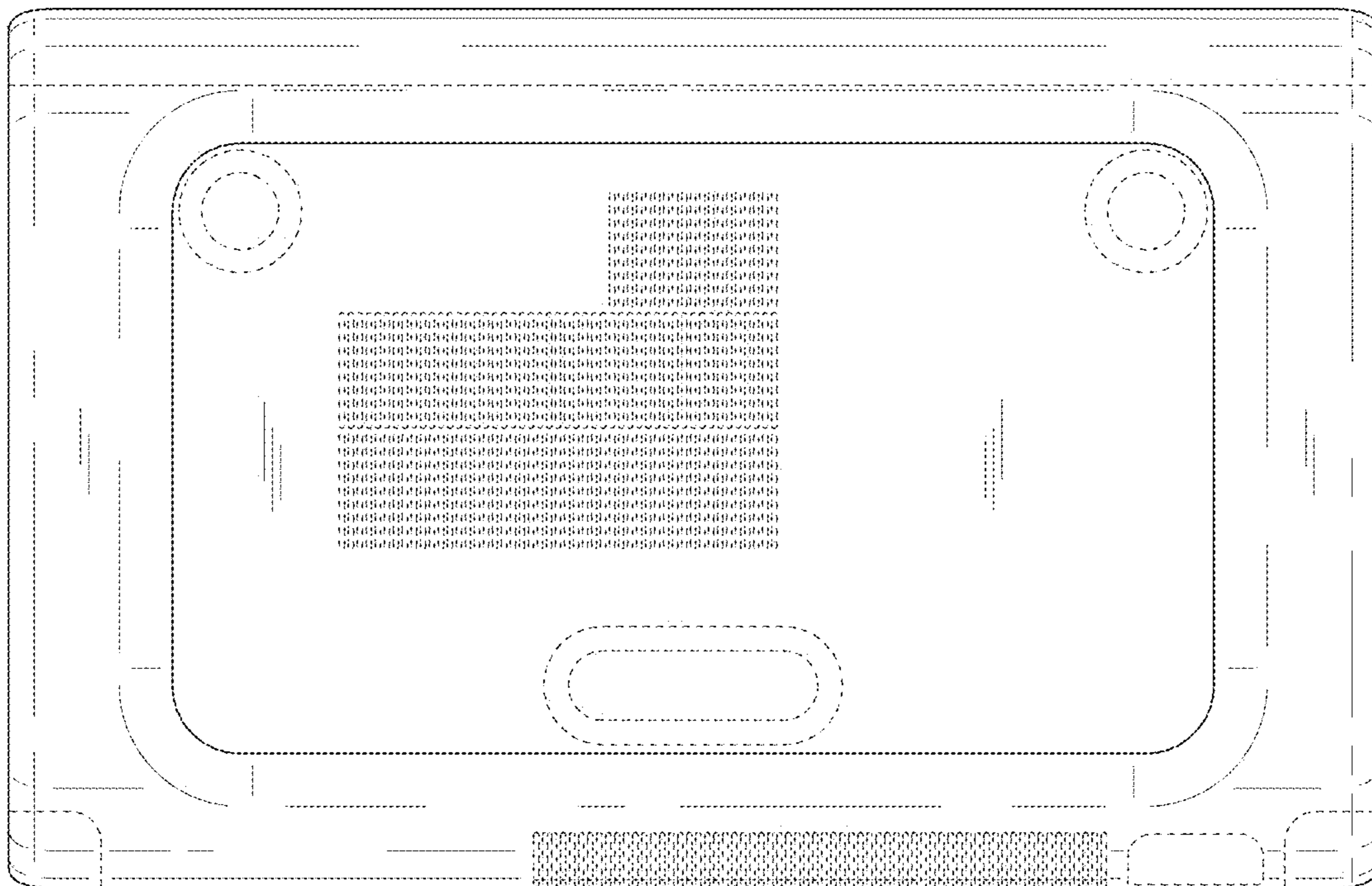


FIG. 8

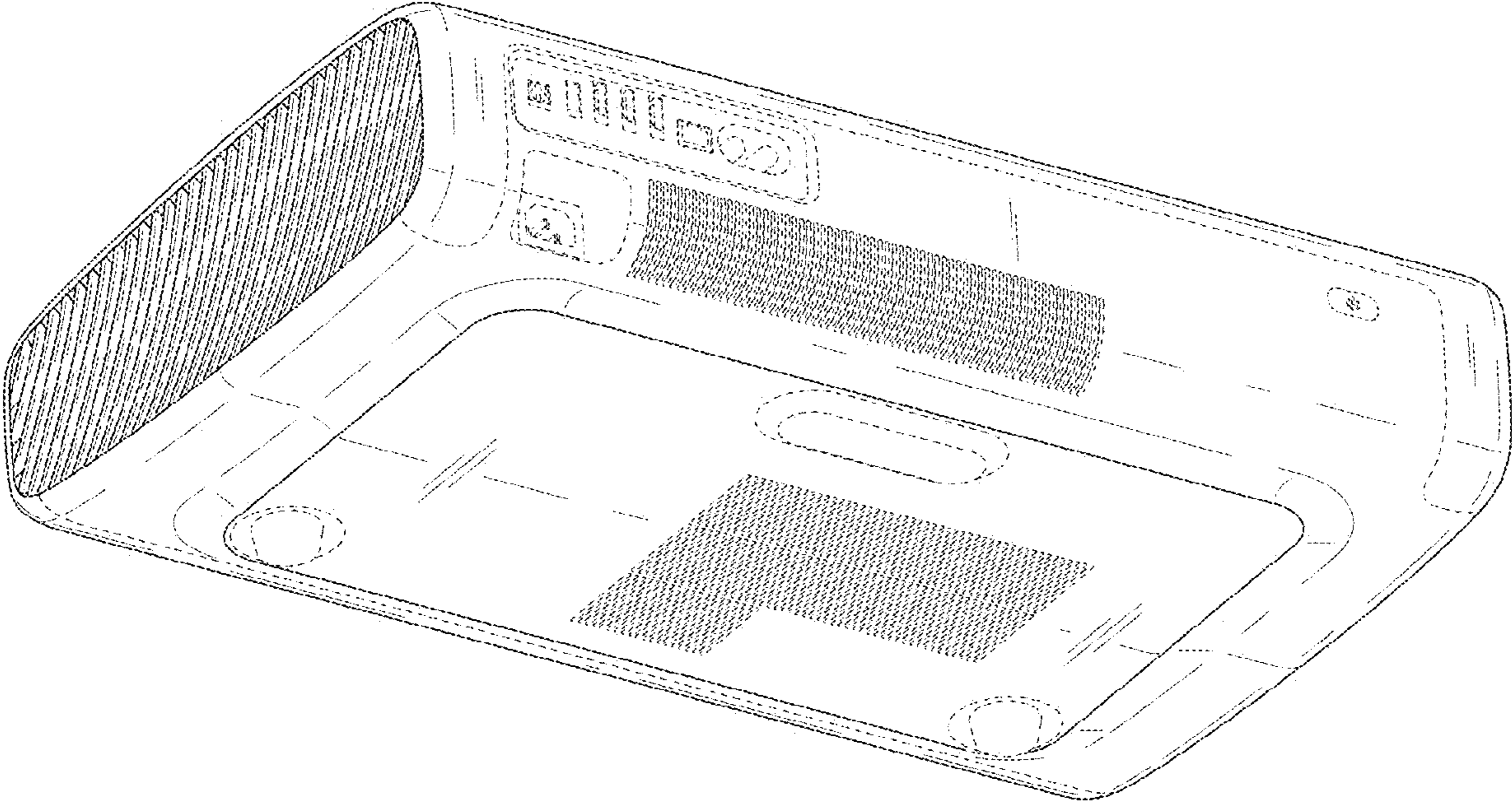


FIG. 9

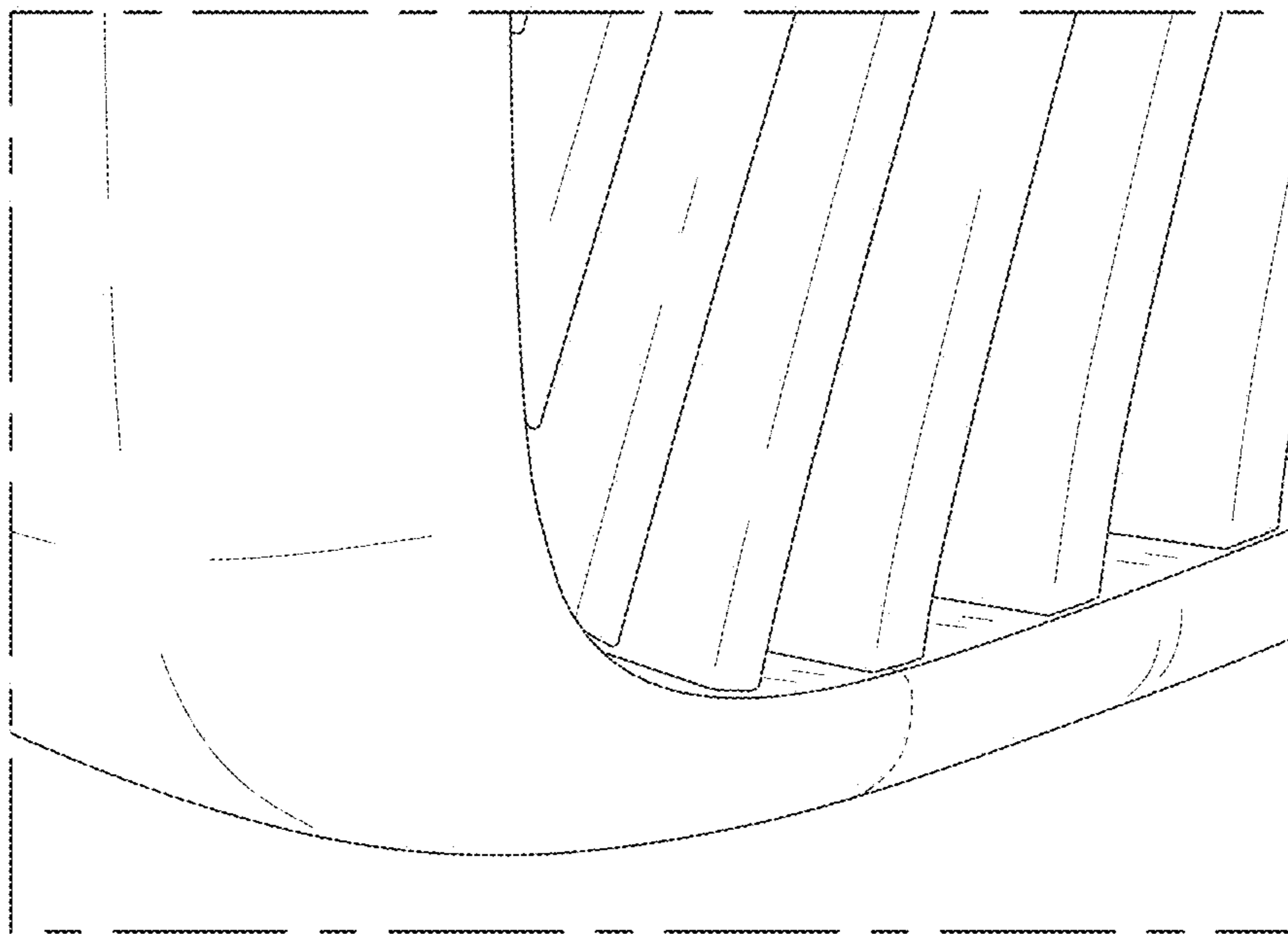


FIG. 10

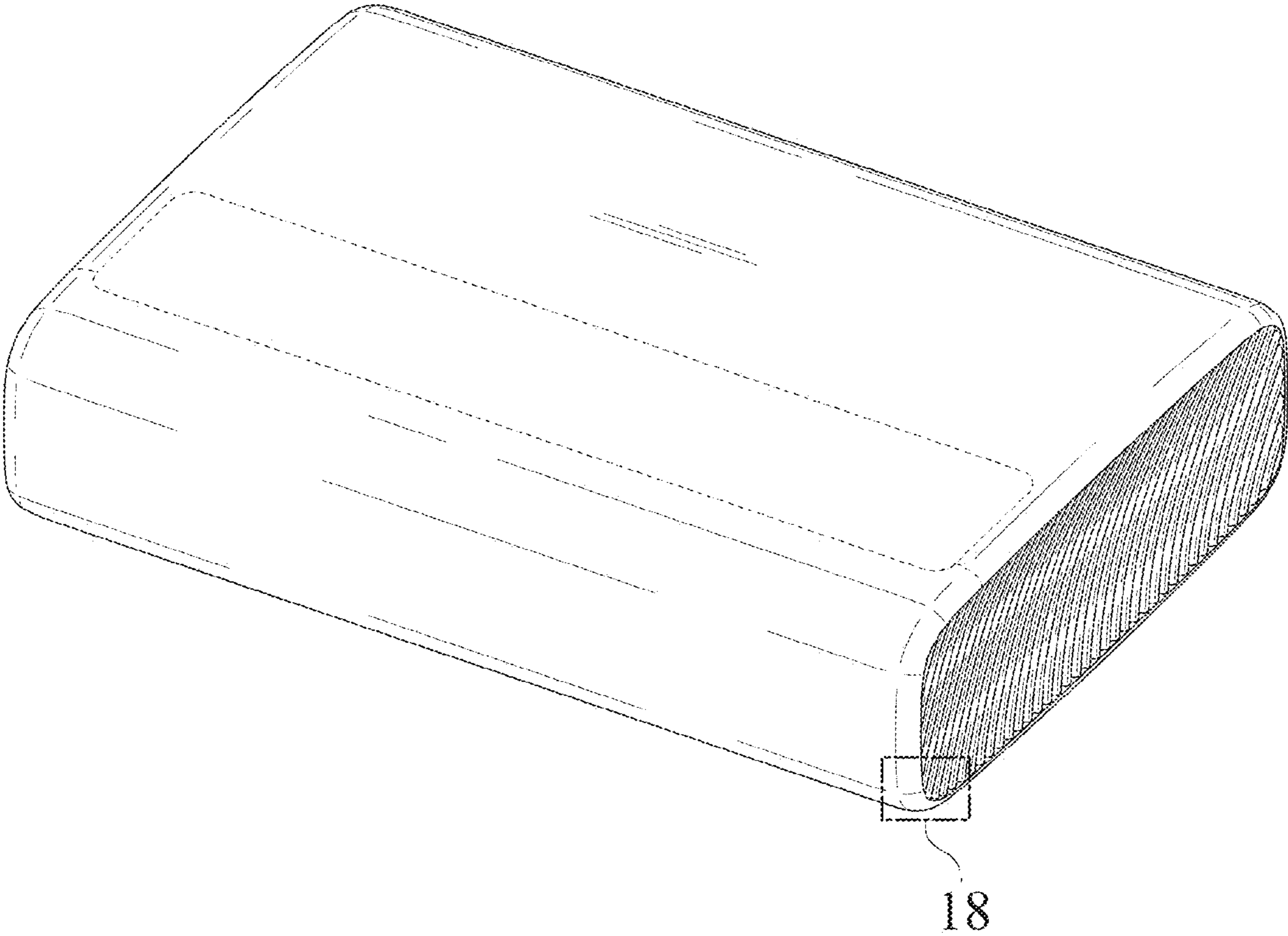


FIG. 11

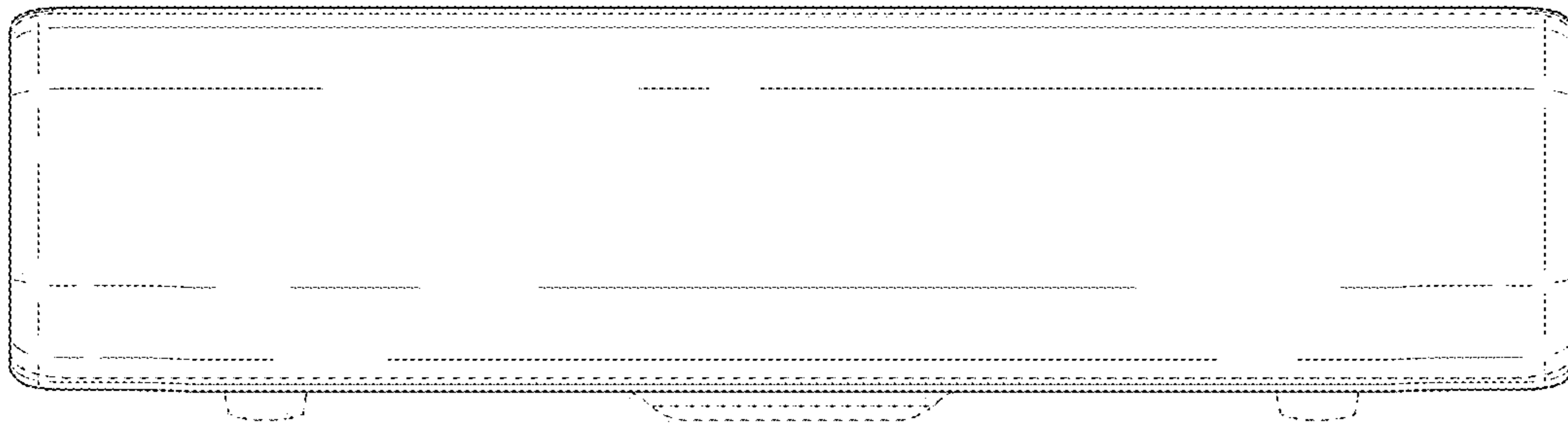


FIG. 12

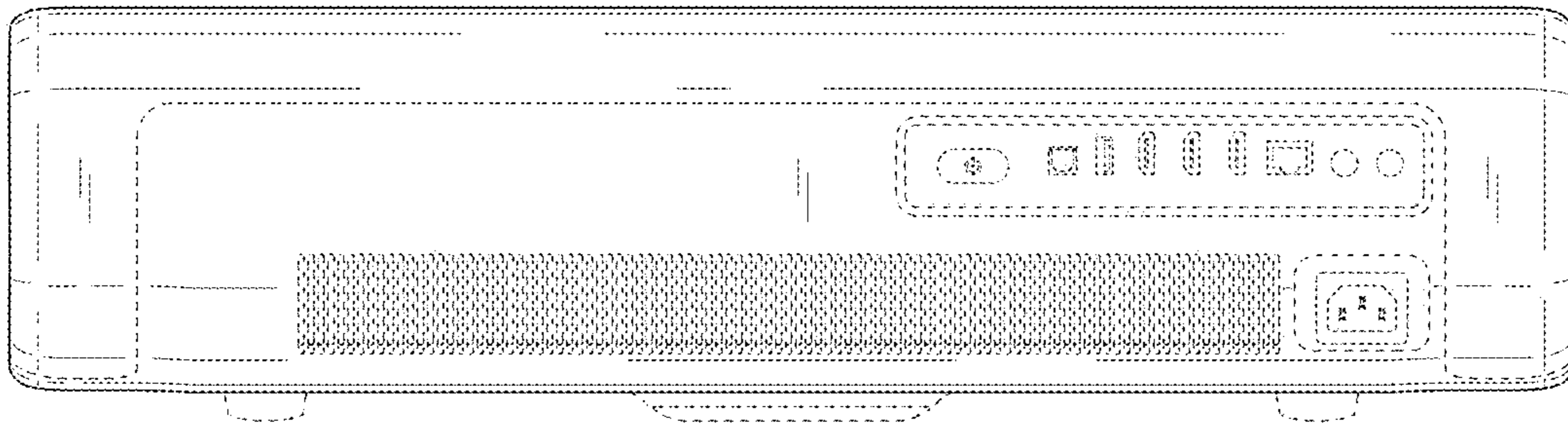


FIG. 13

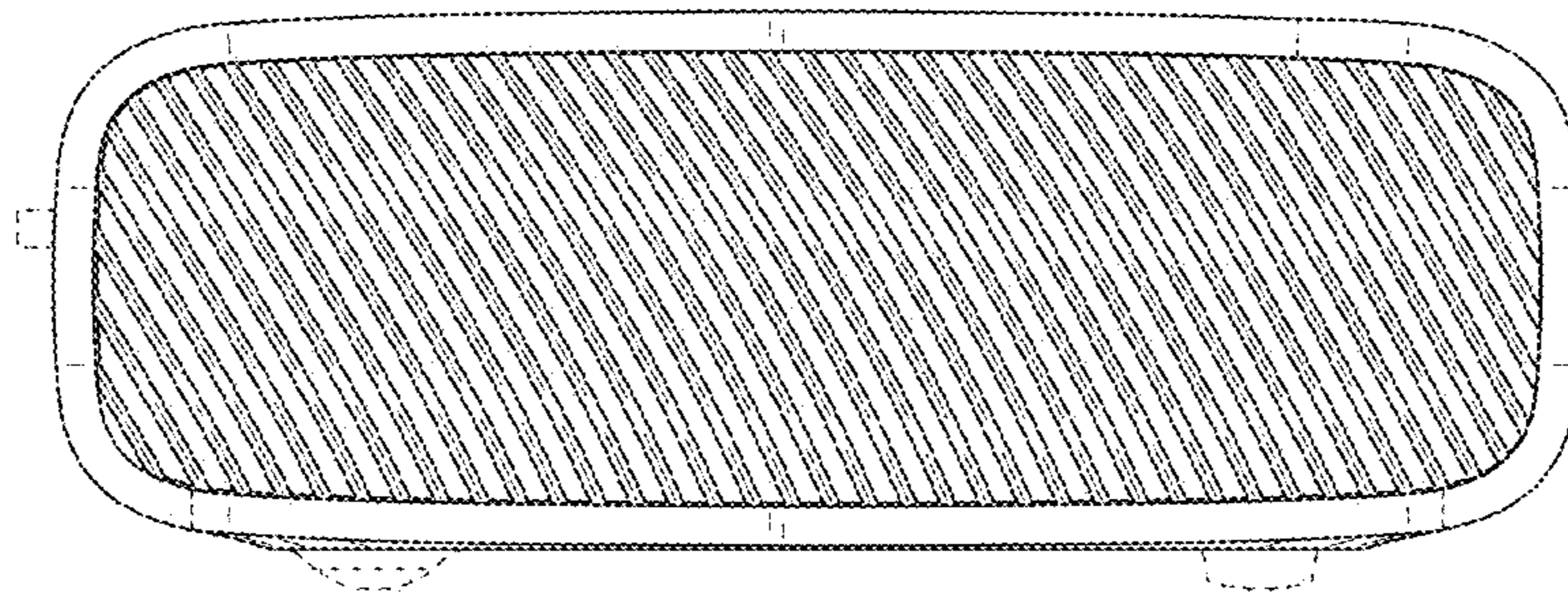


FIG. 14

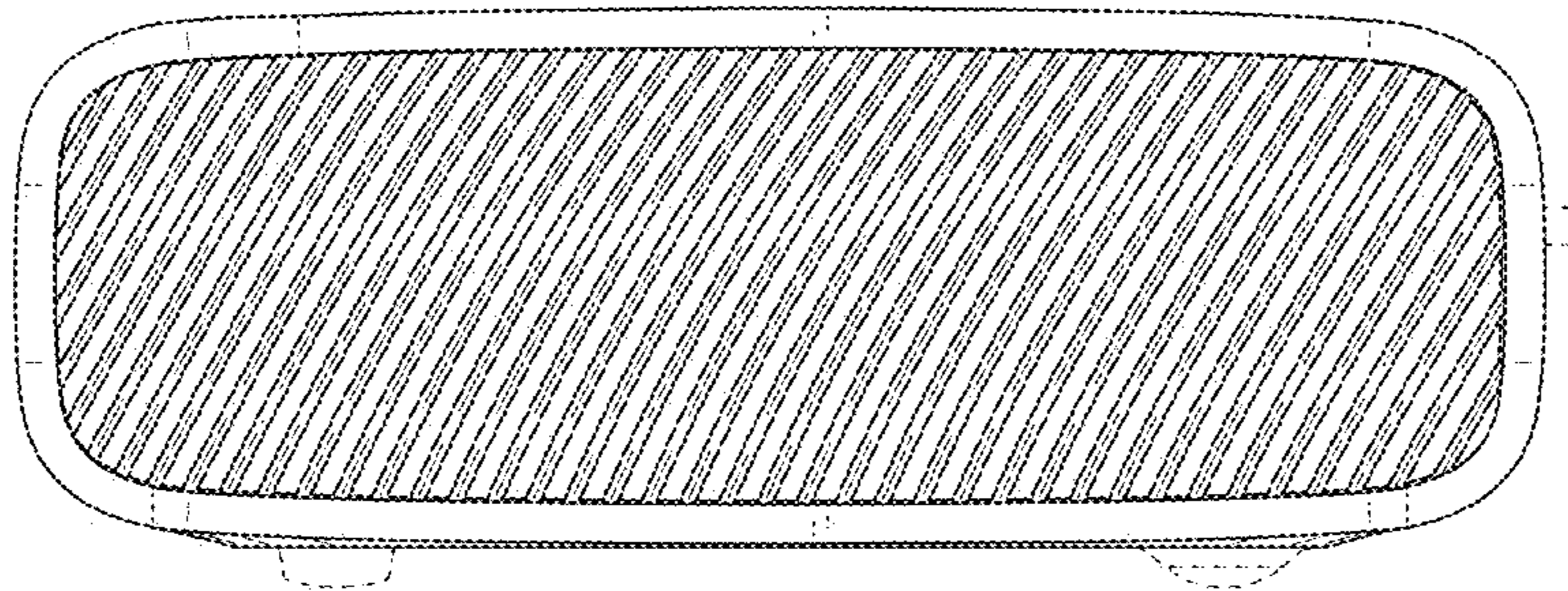




FIG. 15



FIG. 16

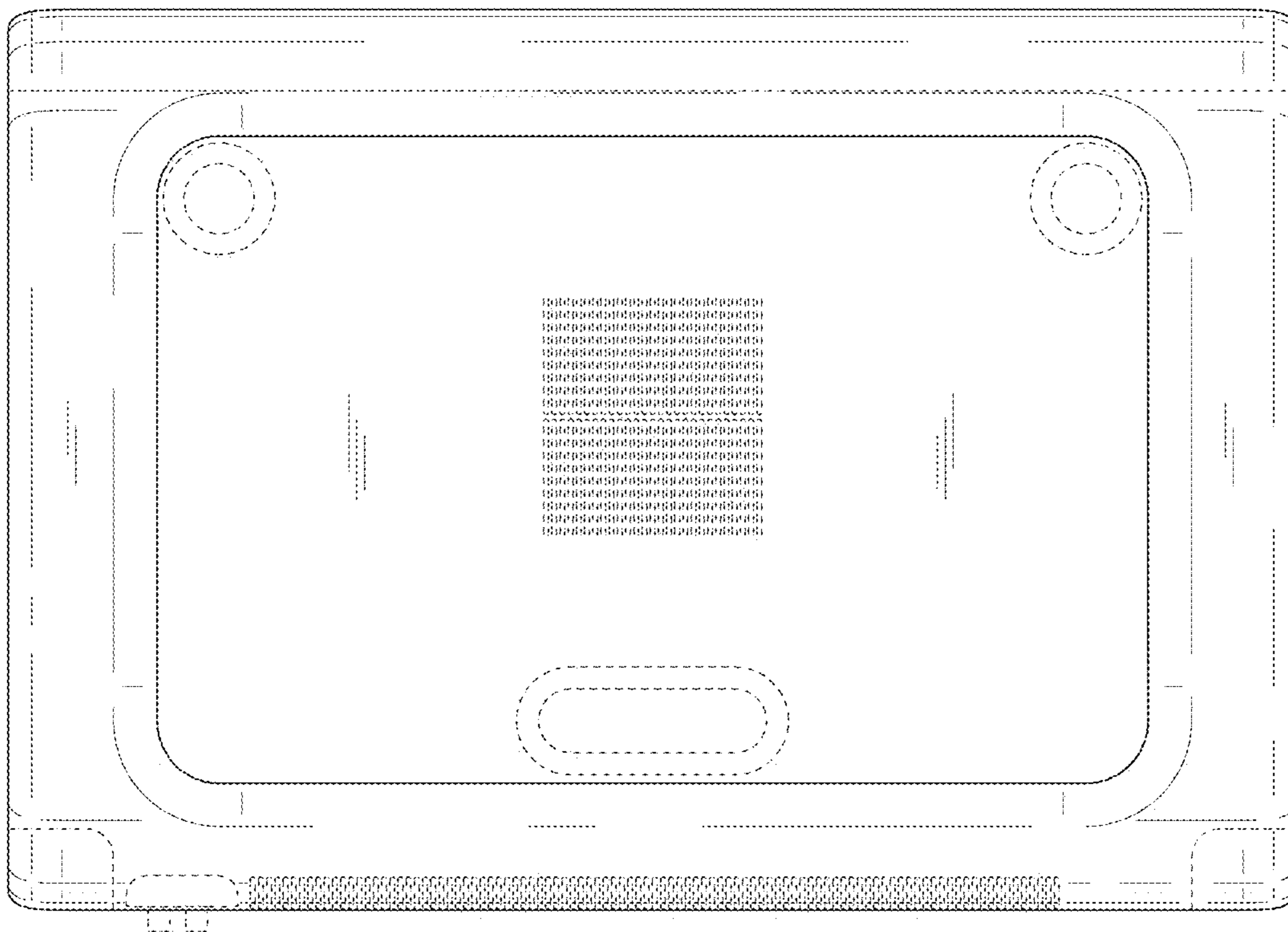


FIG. 17

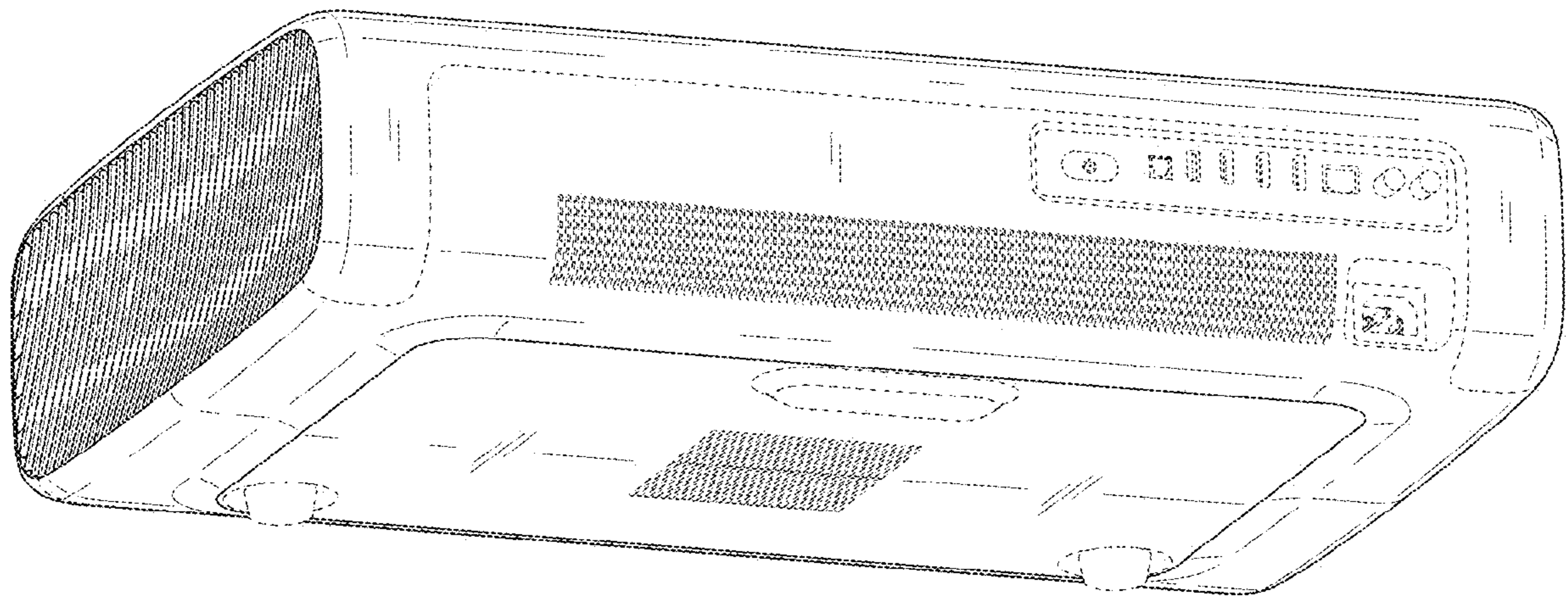


FIG. 18

