



US00D958229S

(12) **United States Design Patent**  
**Wei**

(10) **Patent No.:** **US D958,229 S**

(45) **Date of Patent:** **\*\* Jul. 19, 2022**

(54) **PROJECTOR**

(71) Applicant: **SHENZHEN LIGHT VALVE TECHNOLOGY CO., LTD**, Shenzhen (CN)

(72) Inventor: **Jiaoxian Wei**, Hengyang (CN)

(73) Assignee: **SHENZHEN LIGHT VALVE TECHNOLOGY CO., LTD**, Shenzhen (CN)

(\*\*) Term: **15 Years**

(21) Appl. No.: **29/796,155**

(22) Filed: **Jun. 23, 2021**

(51) **LOC (13) Cl.** ..... **16-02**

(52) **U.S. Cl.**  
USPC ..... **D16/230**

(58) **Field of Classification Search**  
USPC ..... D16/221, 225, 230–231, 234; D21/514  
CPC ..... G03B 21/16; G03B 21/14; G03B 21/145;  
G03B 21/00; G03B 21/001; G03B 21/003; G03B 21/12  
See application file for complete search history.

(56) **References Cited**

**U.S. PATENT DOCUMENTS**

D331,768 S	*	12/1992	Saeki	.....	D16/225
D454,360 S	*	3/2002	Shimizu	.....	D16/230
D473,253 S	*	4/2003	Shimamoto	.....	D16/225
D520,551 S		5/2006	Salvatori et al.		
D557,317 S		12/2007	Schoenert et al.		

D566,160 S	*	4/2008	Shimamoto	.....	D16/225
D939,614 S	*	12/2021	Mao	.....	D16/230
D939,615 S	*	12/2021	Wu	.....	D16/230
D948,596 S	*	4/2022	Deng	.....	D16/230

\* cited by examiner

*Primary Examiner* — Wan Laymon

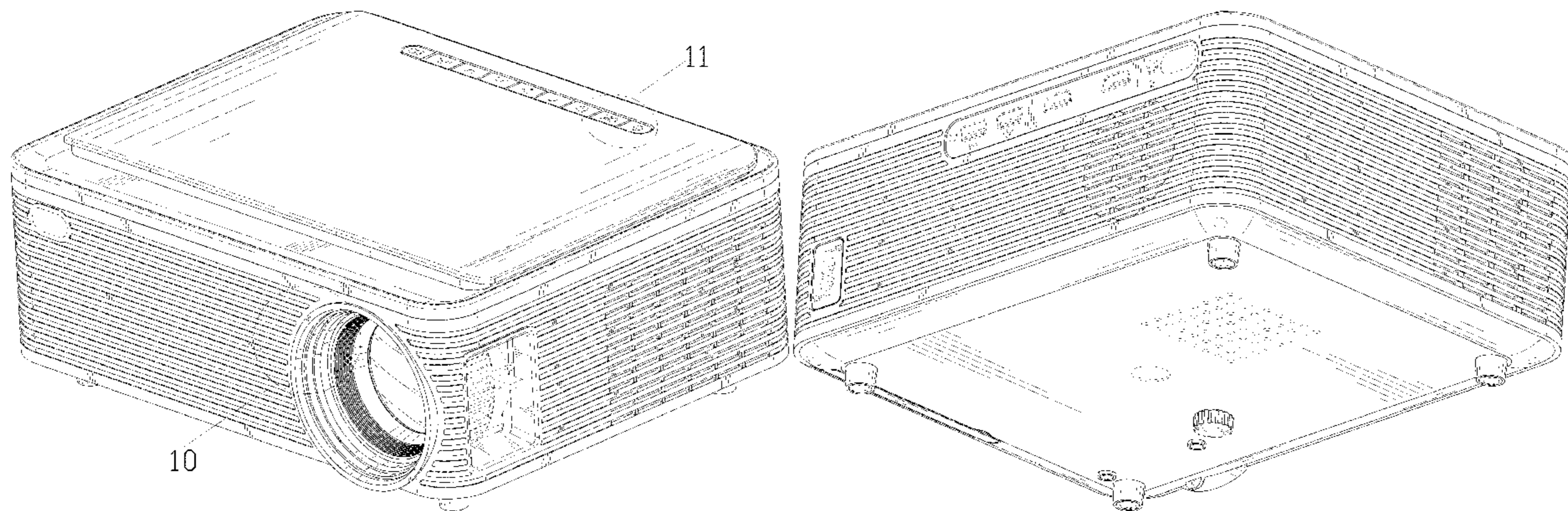
(57) **CLAIM**

The ornamental design for a projector, as shown and described.

**DESCRIPTION**

FIG. 1 is a perspective view of a projector showing my new design;  
 FIG. 2 is another perspective view thereof;  
 FIG. 3 is a front elevational view thereof;  
 FIG. 4 is a rear elevational view thereof;  
 FIG. 5 is a left side elevational view thereof;  
 FIG. 6 is a right side elevational view thereof;  
 FIG. 7 is a top plan view thereof;  
 FIG. 8 is a bottom plan view thereof;  
 FIG. 9 is a perspective view of the projector where the projector is in a configuration of use;  
 FIG. 10 is an enlarged view of portion 10 shown in FIG. 1;  
 FIG. 11 is an enlarged view of portion 11 shown in FIG. 1; and,  
 FIG. 12 is an enlarged view of portion 12 shown in FIG. 3.  
 The dash-dash broken lines in the drawings depict portions of the projector, while the other dashed broken lines in the figures represent environmental subject matter, none of which form no part of the claimed design. The dot-dash broken lines in FIGS. 1, 3 and 10-12 represent the boundaries of the enlarged portions and form no part of the claimed design.

**1 Claim, 12 Drawing Sheets**



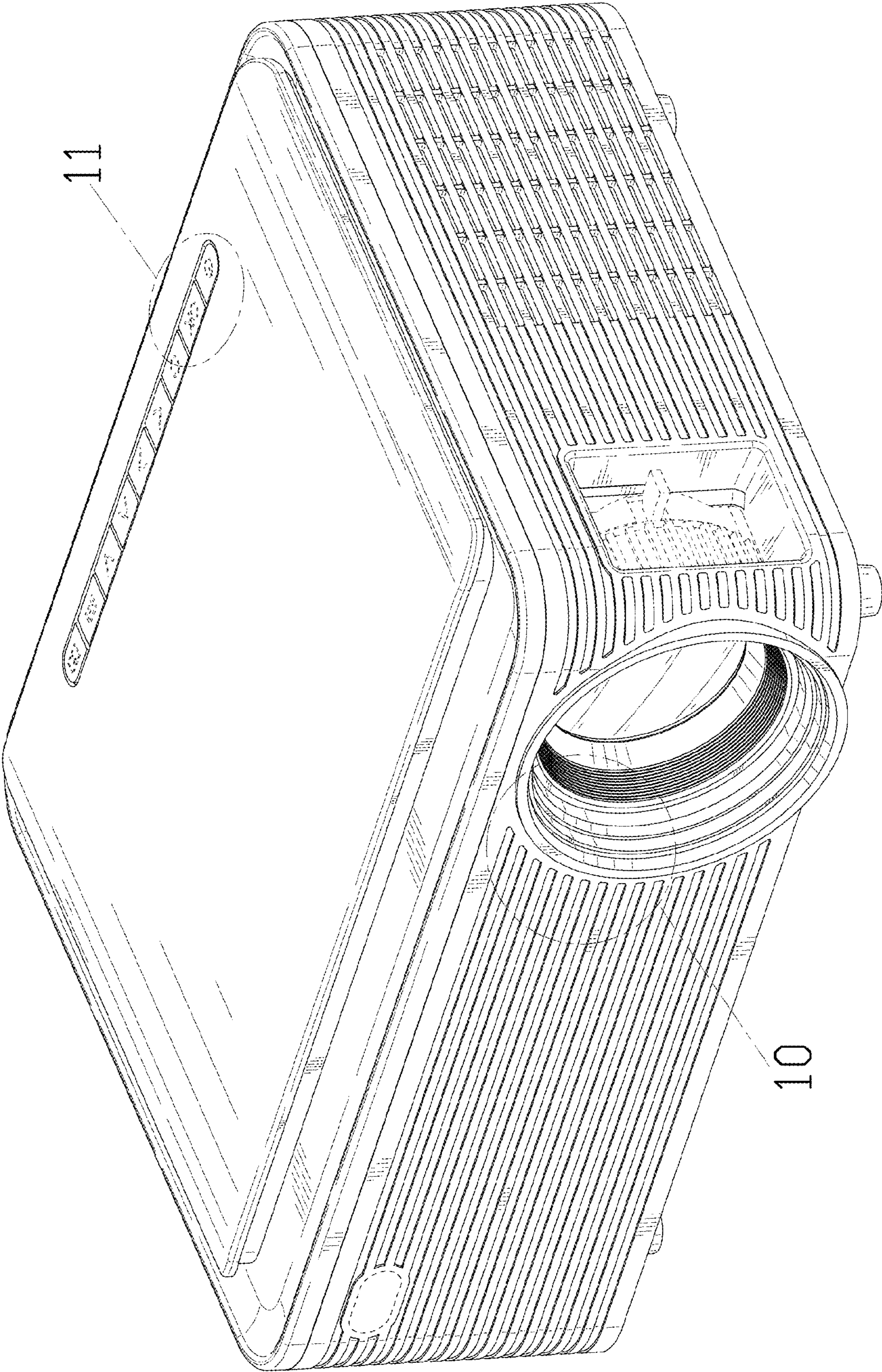


FIG. 1

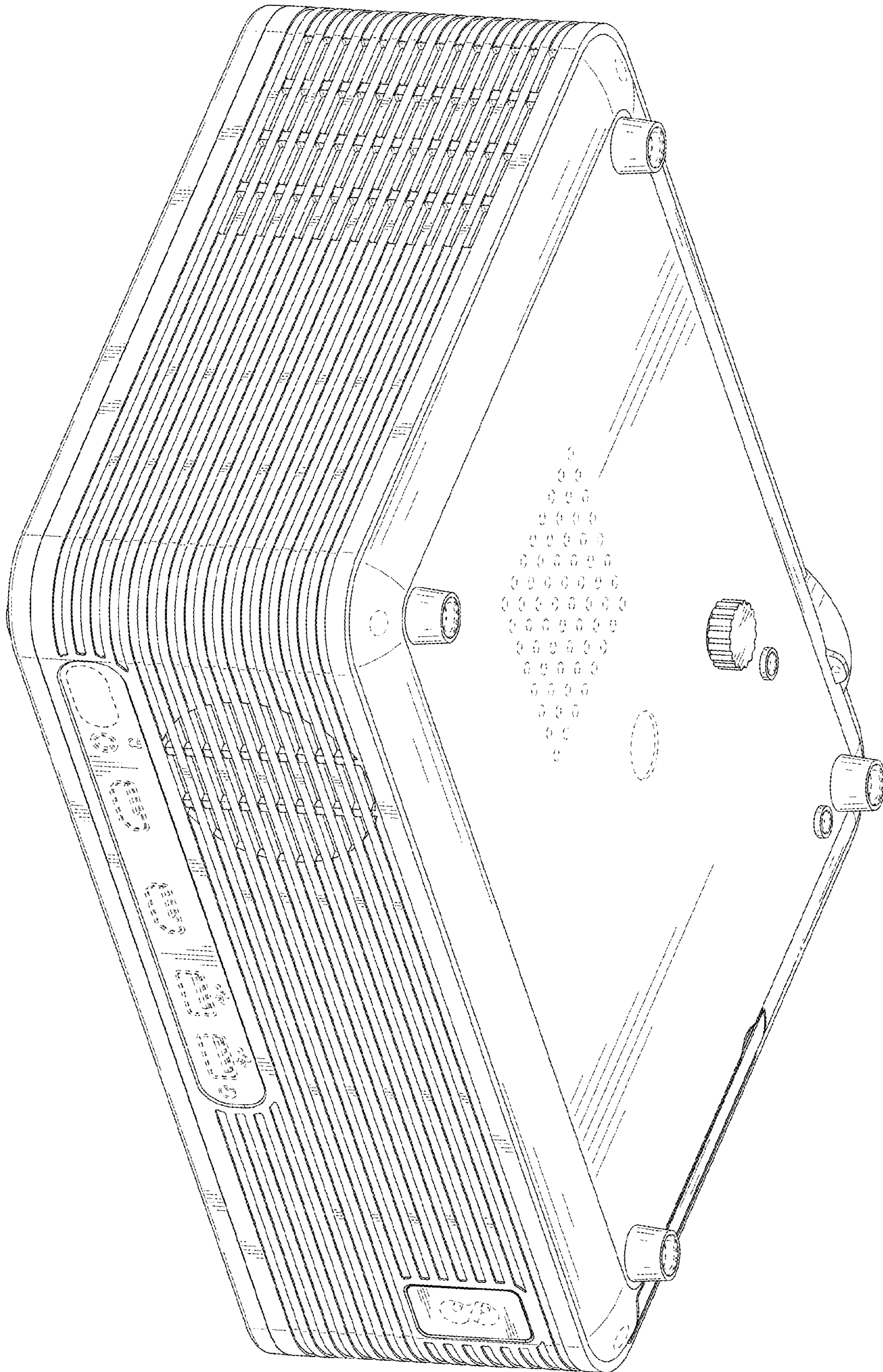


FIG. 2

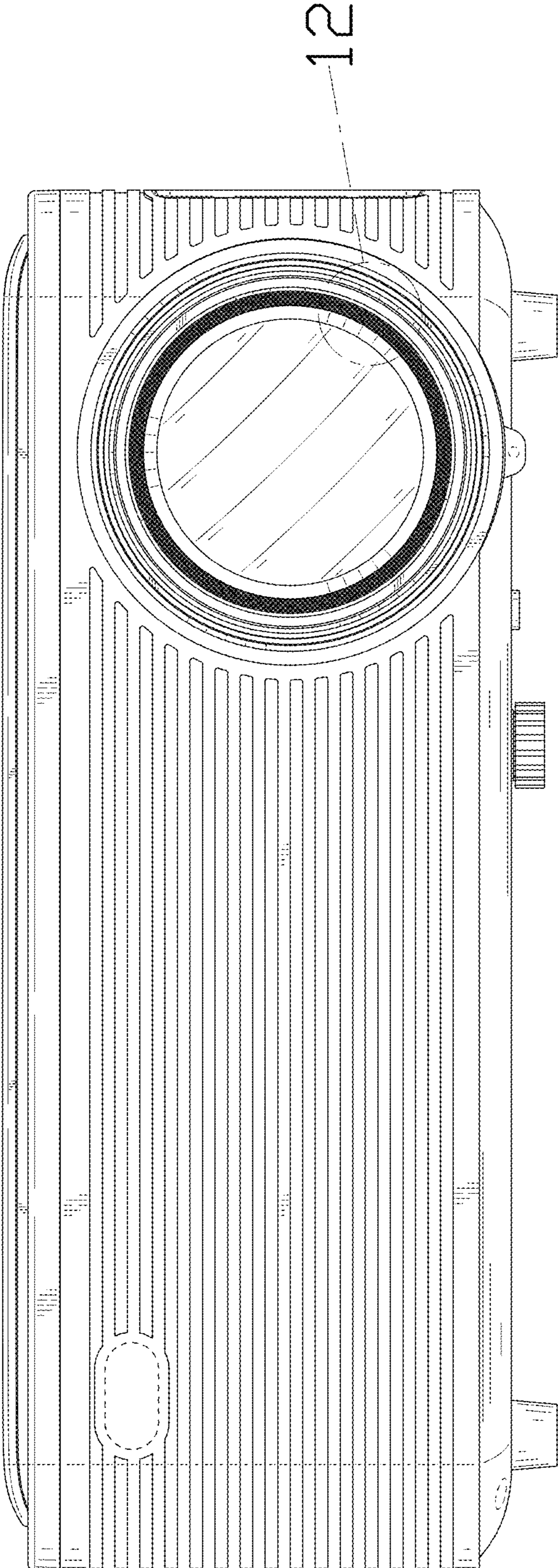


FIG. 3

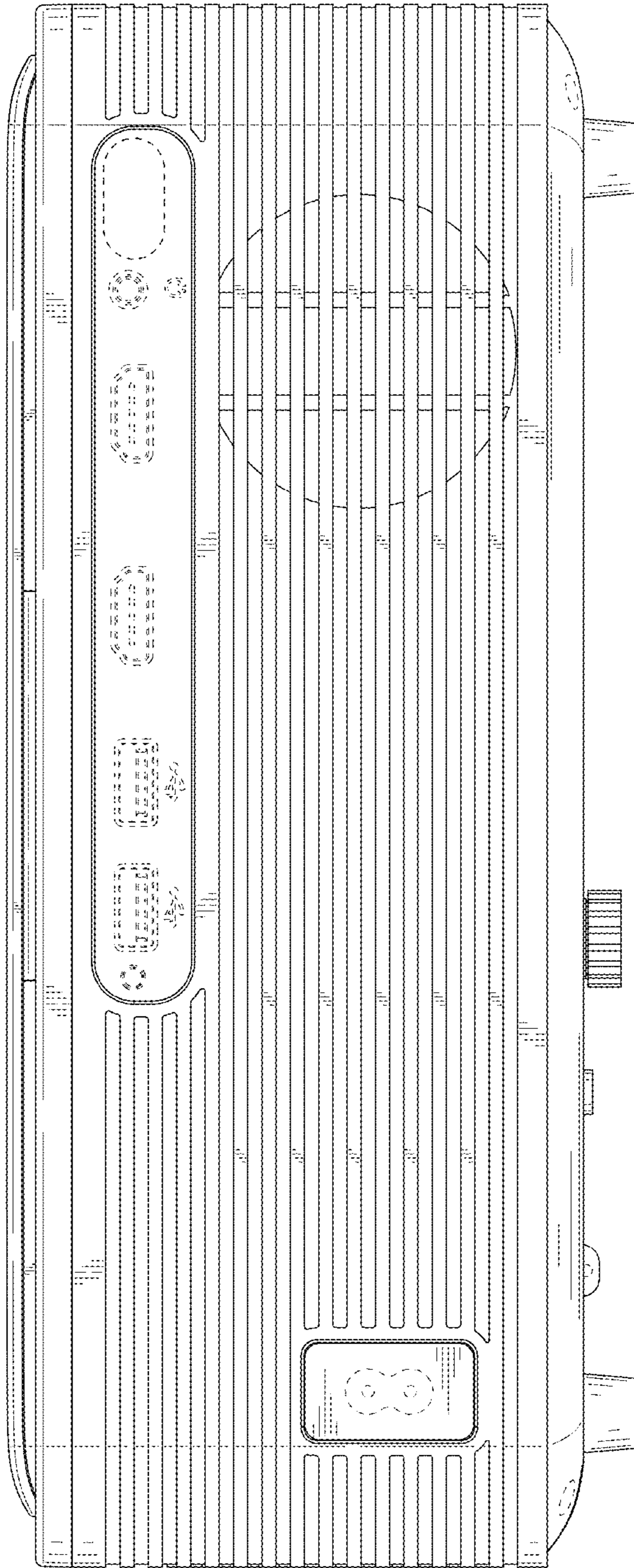


FIG. 4

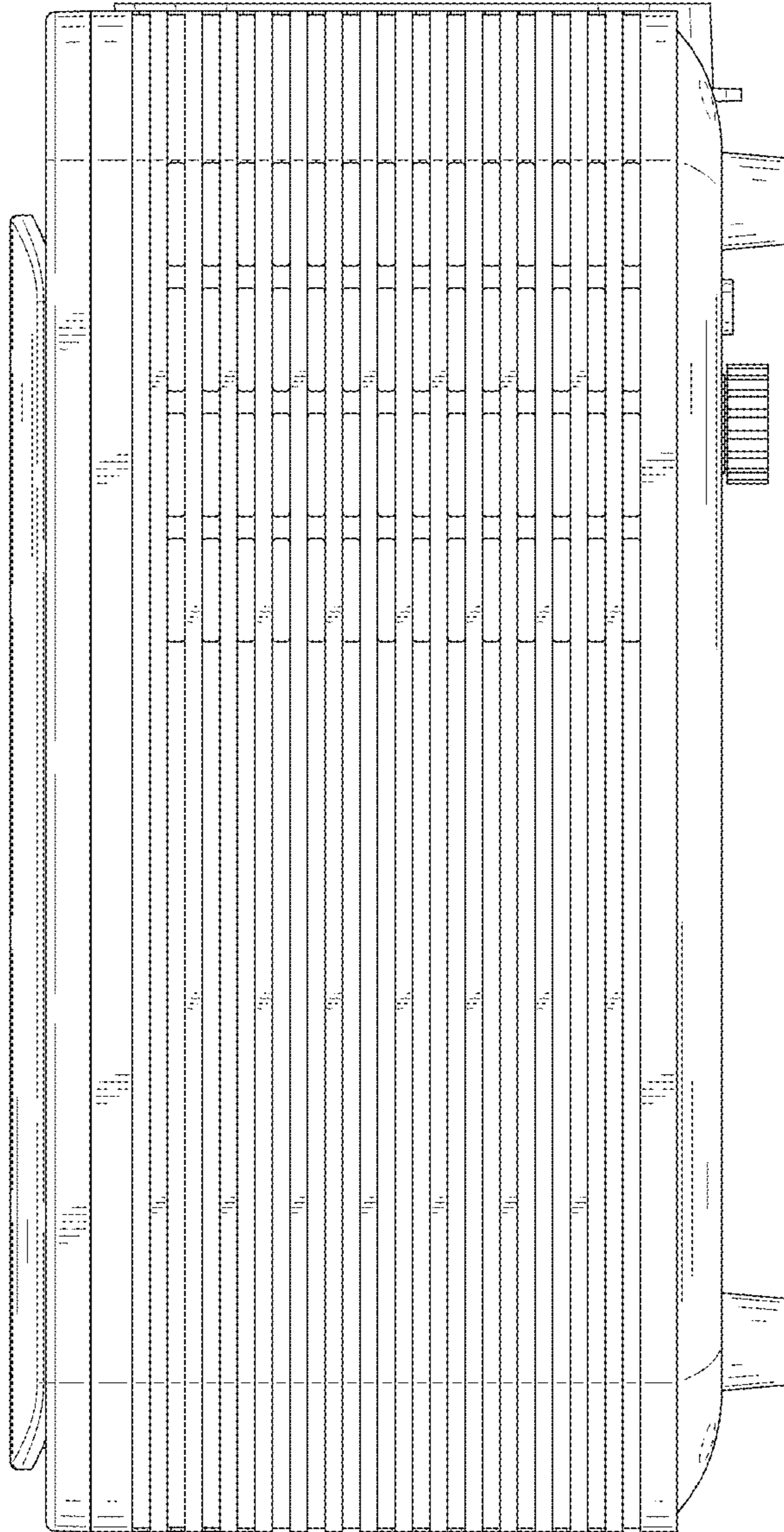


FIG. 5

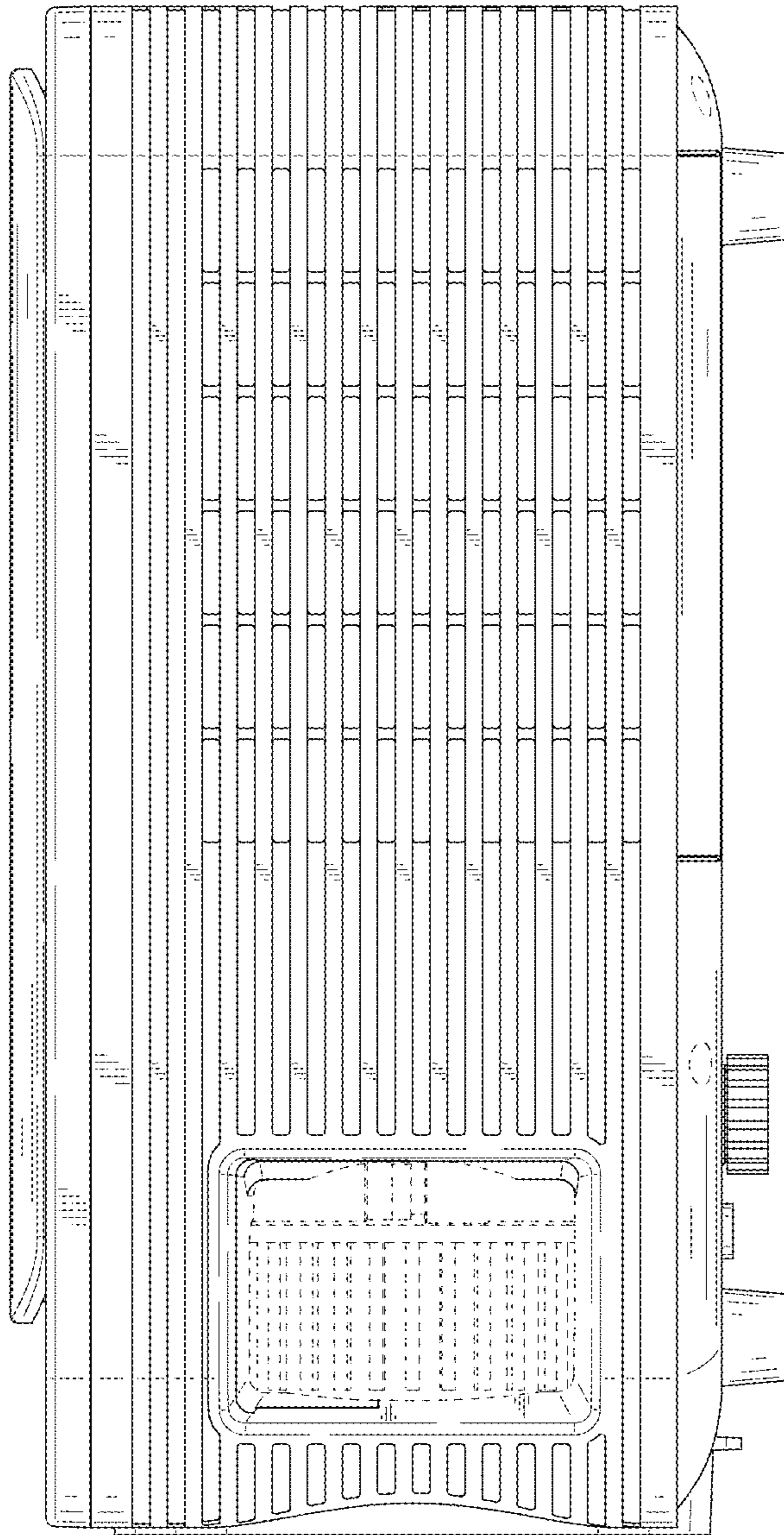


FIG. 6

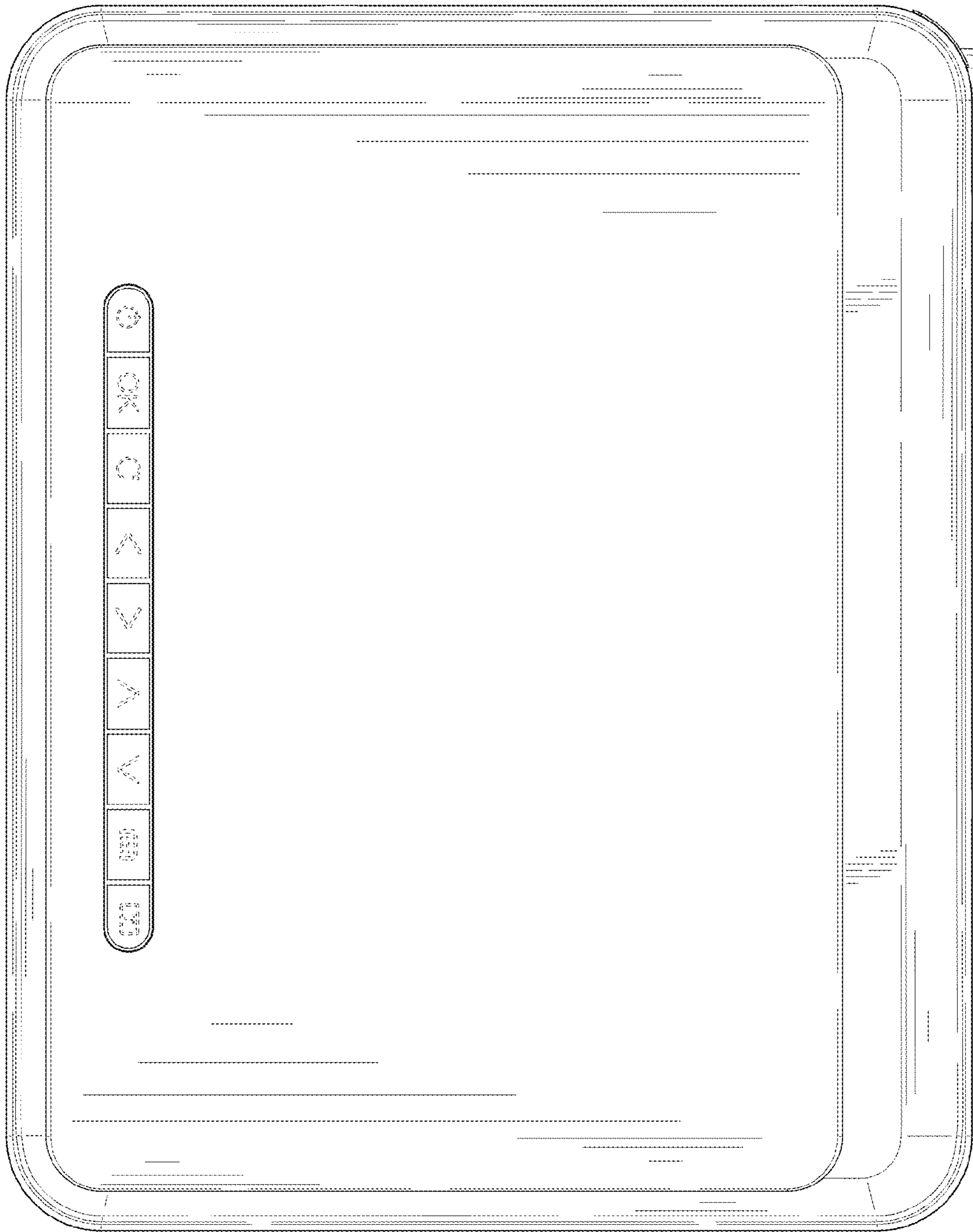


FIG. 7



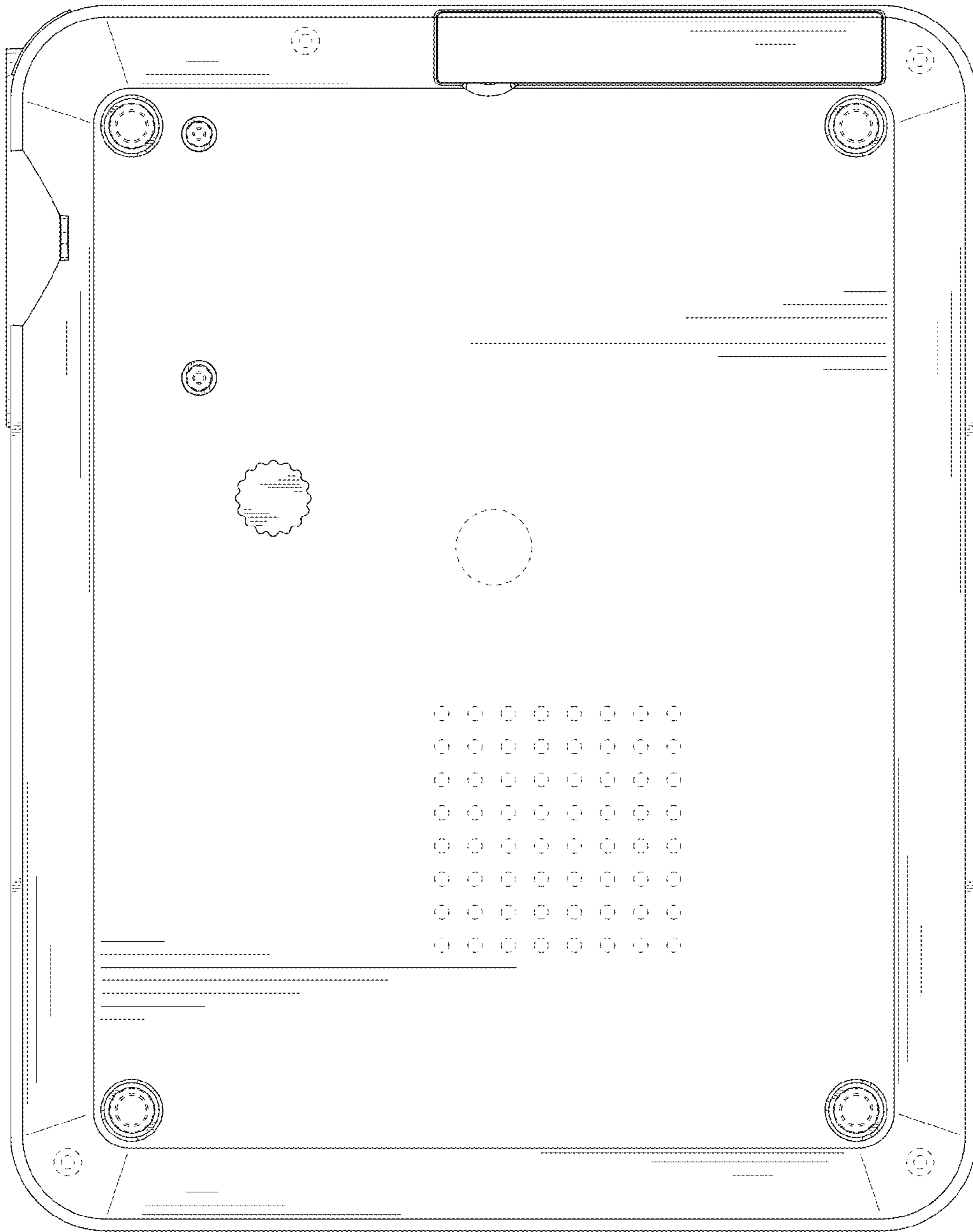


FIG. 8

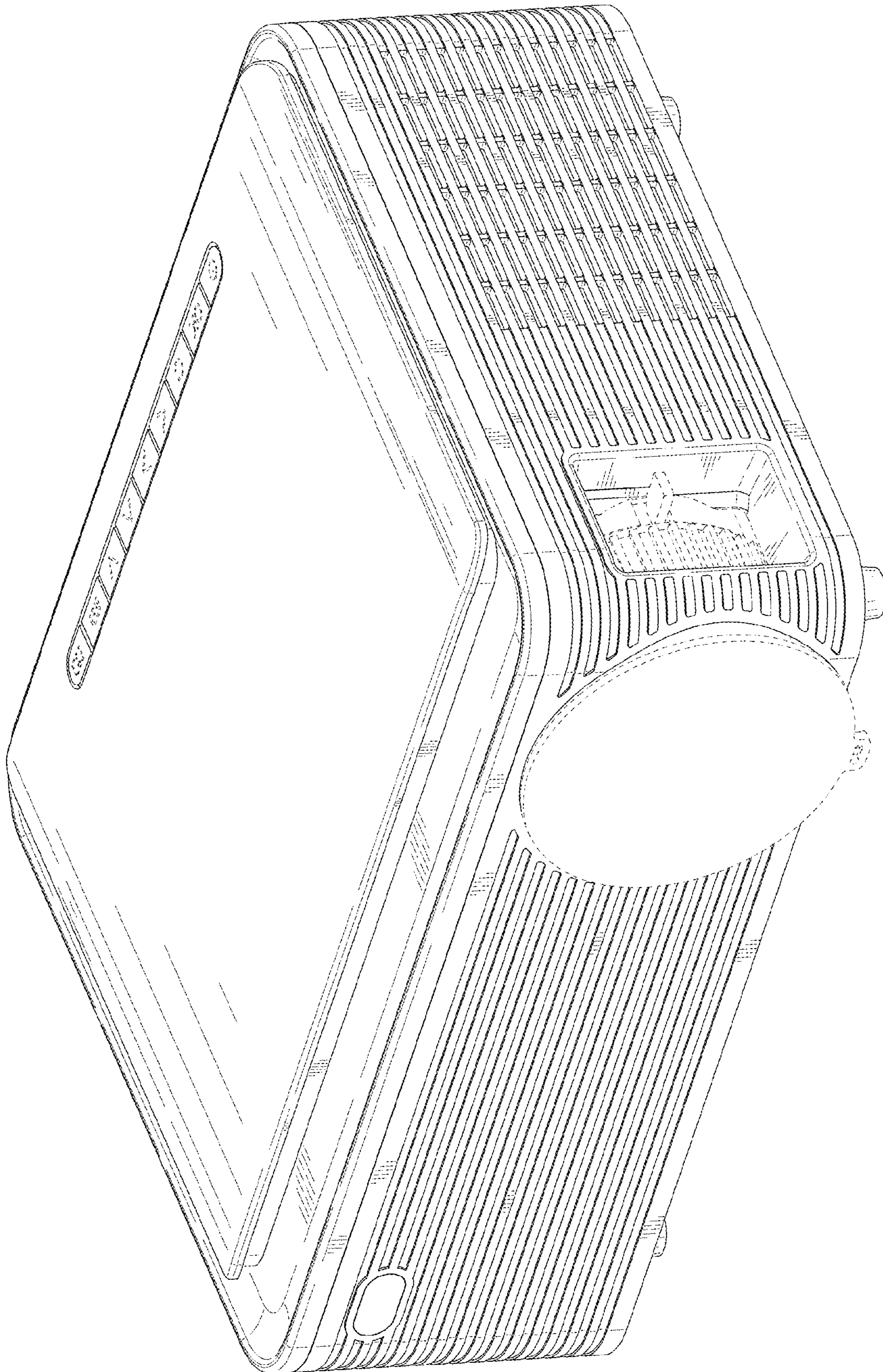


FIG. 9

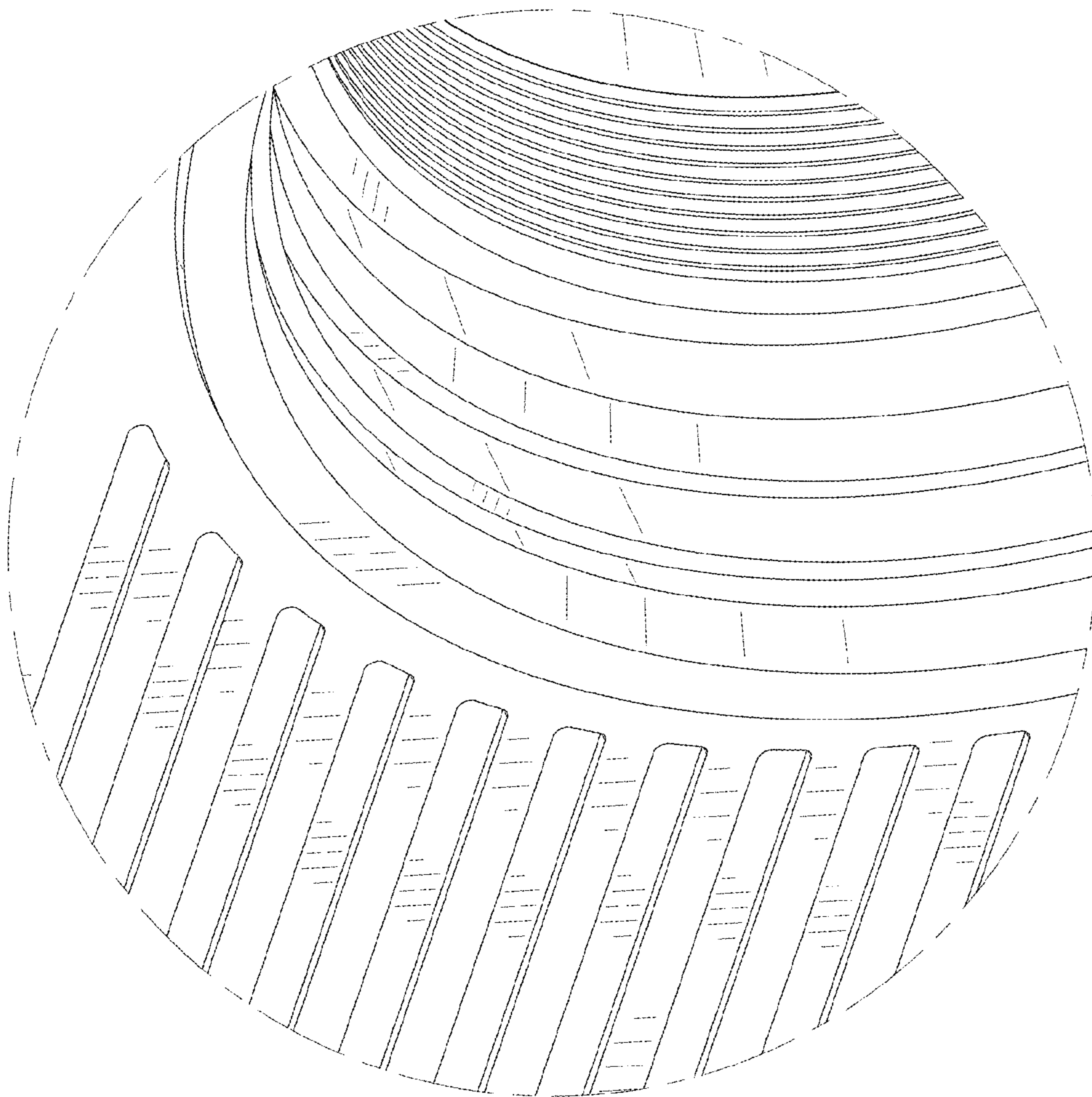


FIG. 10

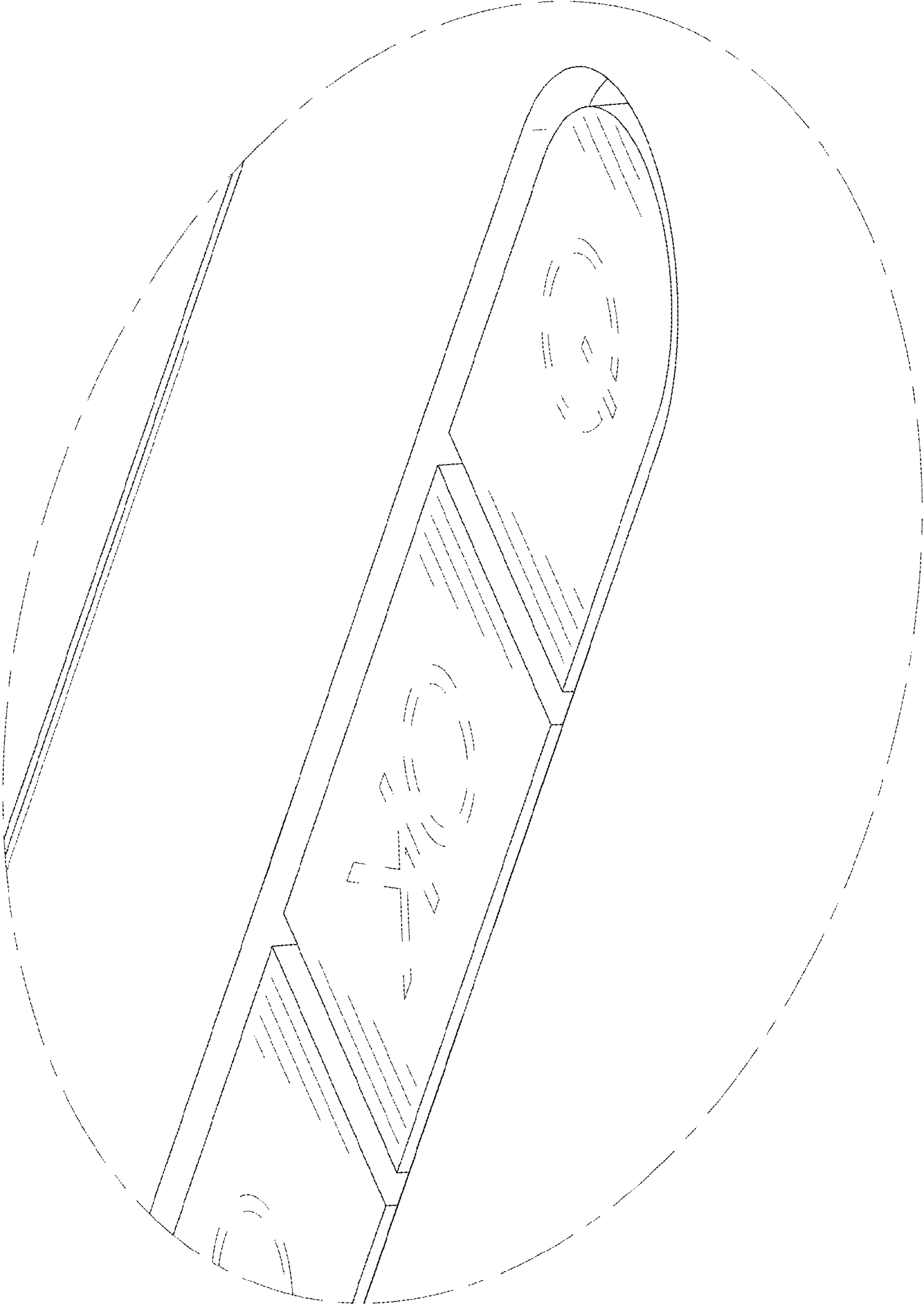


FIG. 11

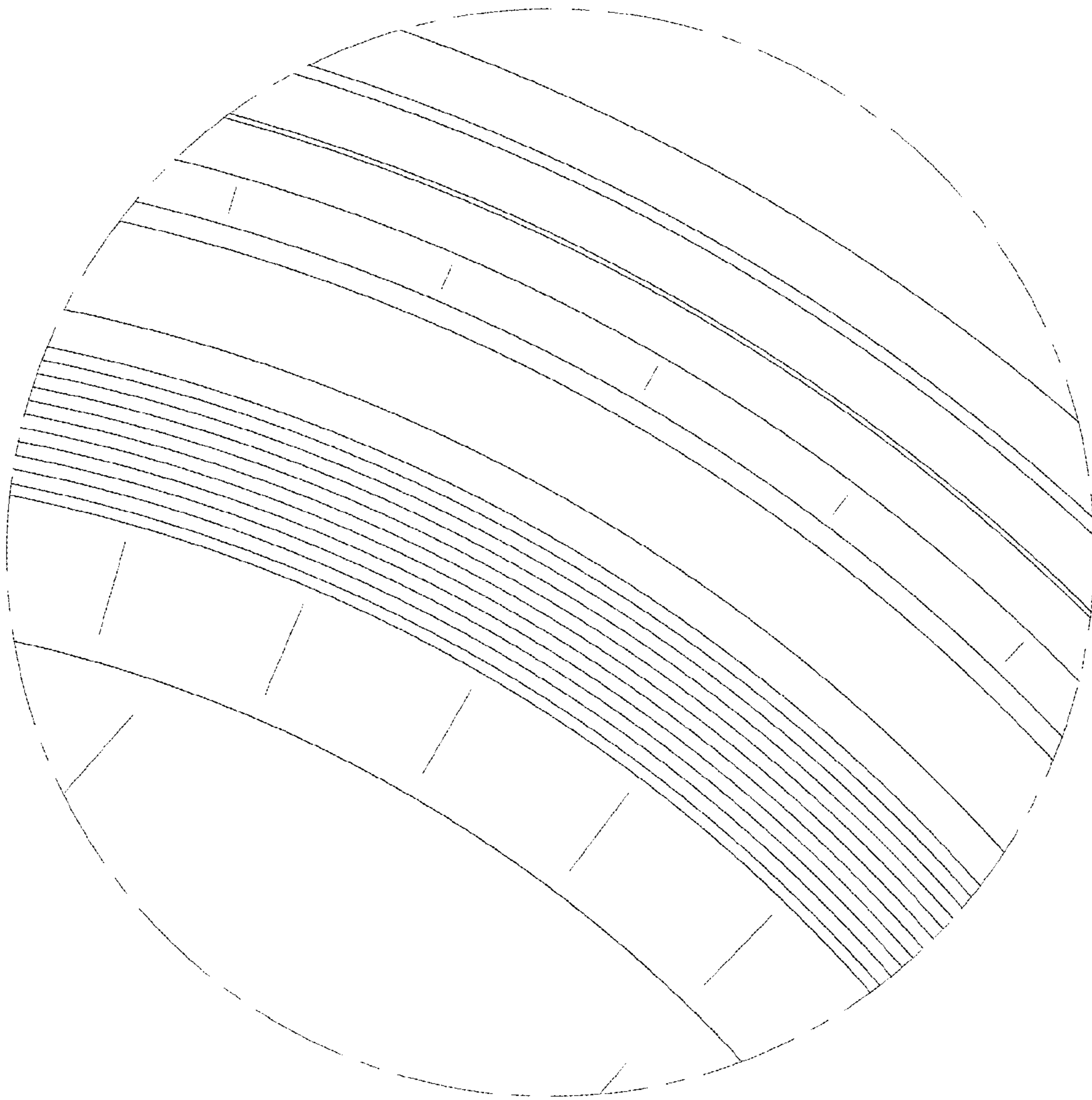


FIG. 12