



US00D958228S

(12) **United States Design Patent**
Liang

(10) **Patent No.:** **US D958,228 S**

(45) **Date of Patent:** **** Jul. 19, 2022**

(54) **PROJECTOR**

(71) Applicant: **Guomao Liang**, Guangdong (CN)

(72) Inventor: **Guomao Liang**, Guangdong (CN)

(73) Assignee: **Shenzhen ruiying Electronic Co., Ltd.**, Guangdong (CN)

(**) Term: **15 Years**

(21) Appl. No.: **29/750,335**

(22) Filed: **Sep. 14, 2020**

(51) **LOC (13) Cl.** **16-02**

(52) **U.S. Cl.**
USPC **D16/230**

(58) **Field of Classification Search**
USPC D16/221, 225, 230–231, 234; D21/514
CPC G03B 21/145; G03B 21/14; G03B 21/16;
G03B 21/00; G03B 21/001; G03B 21/003
See application file for complete search history.

(56) **References Cited**

U.S. PATENT DOCUMENTS

D463,475 S * 9/2002 Kawashima D16/225
D463,476 S * 9/2002 Takizawa D16/225

D480,408 S * 10/2003 Kawashima D16/225
D554,173 S * 10/2007 Naruki D16/225
D608,814 S * 1/2010 Nagase D16/230
D638,048 S * 5/2011 Kim D16/230
D688,724 S * 8/2013 Tsukahara D16/225

* cited by examiner

Primary Examiner — Wan Laymon

(57) **CLAIM**

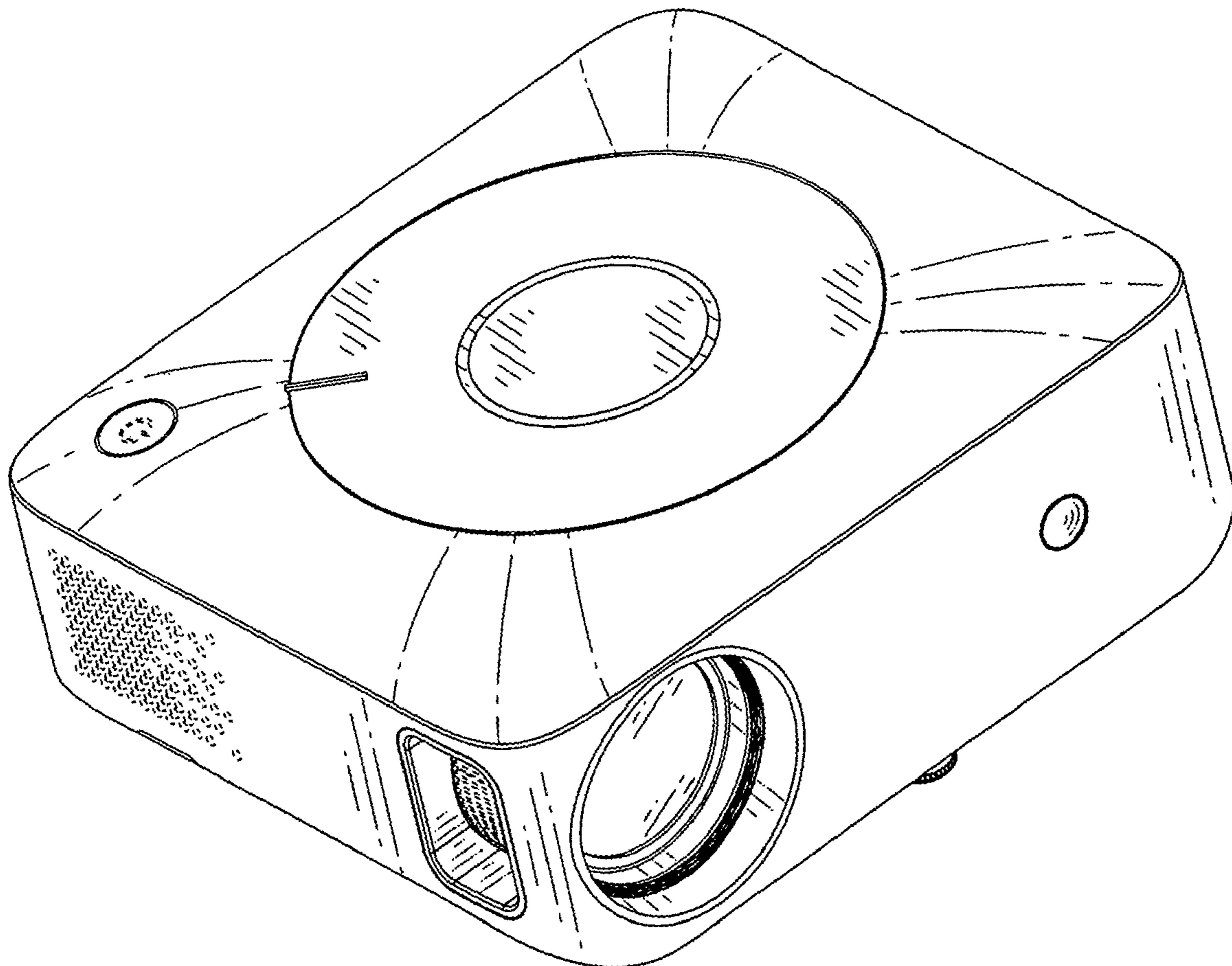
The ornamental design for a projector, as shown and described.

DESCRIPTION

FIG. 1 is a reduced front, right, top perspective view of a projector showing my new design;
FIG. 2 is a front elevational view thereof;
FIG. 3 is a rear elevational view thereof;
FIG. 4 is a left side elevational view thereof;
FIG. 5 is a right side elevational view thereof;
FIG. 6 is a top plan view thereof;
FIG. 7 is a bottom plan view thereof; and,
FIG. 8 is a reduced front, left, bottom perspective view thereof.

The broken lines in the drawings depict portions of the projector that form no part of the claimed design.

1 Claim, 8 Drawing Sheets



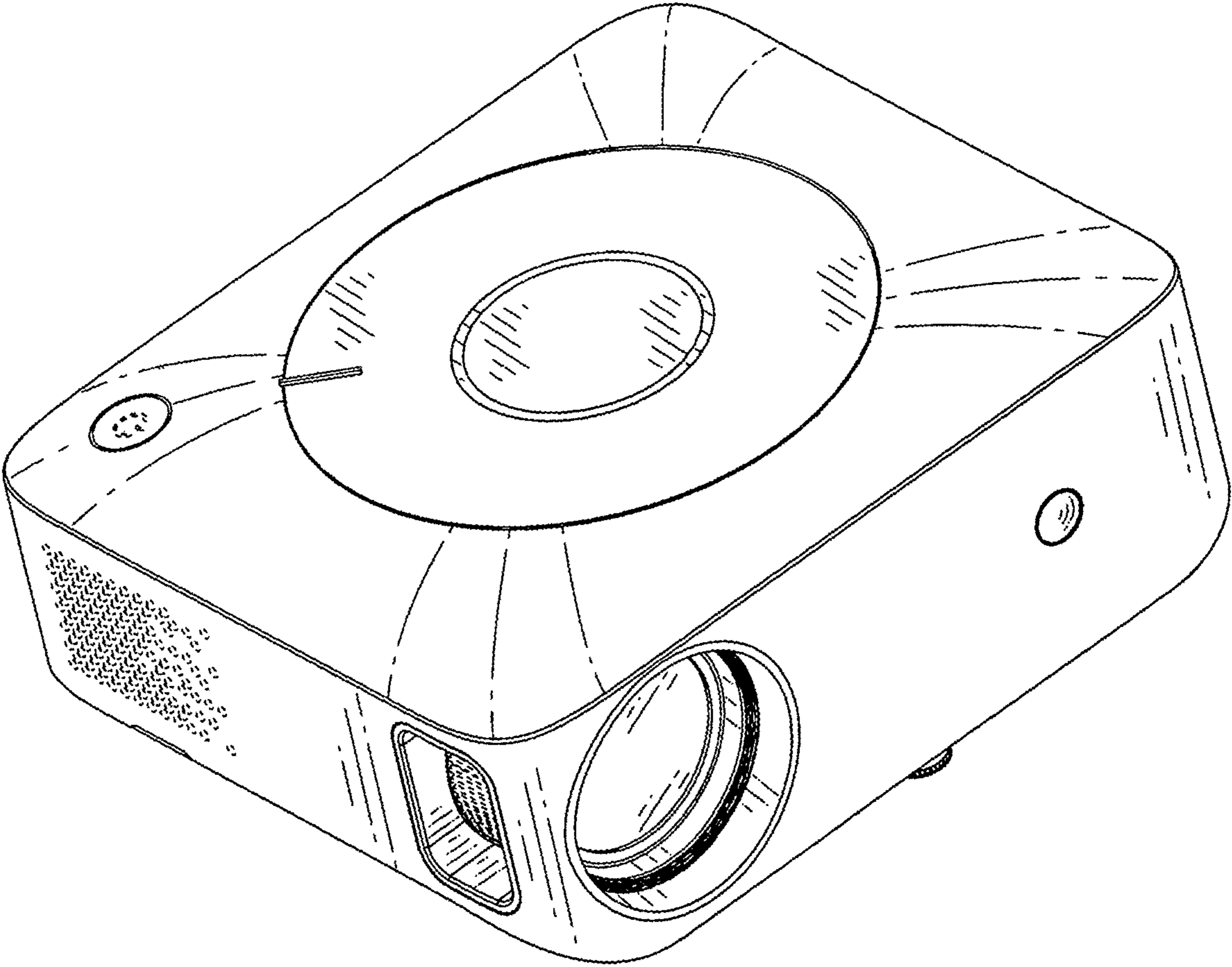


FIG. 1

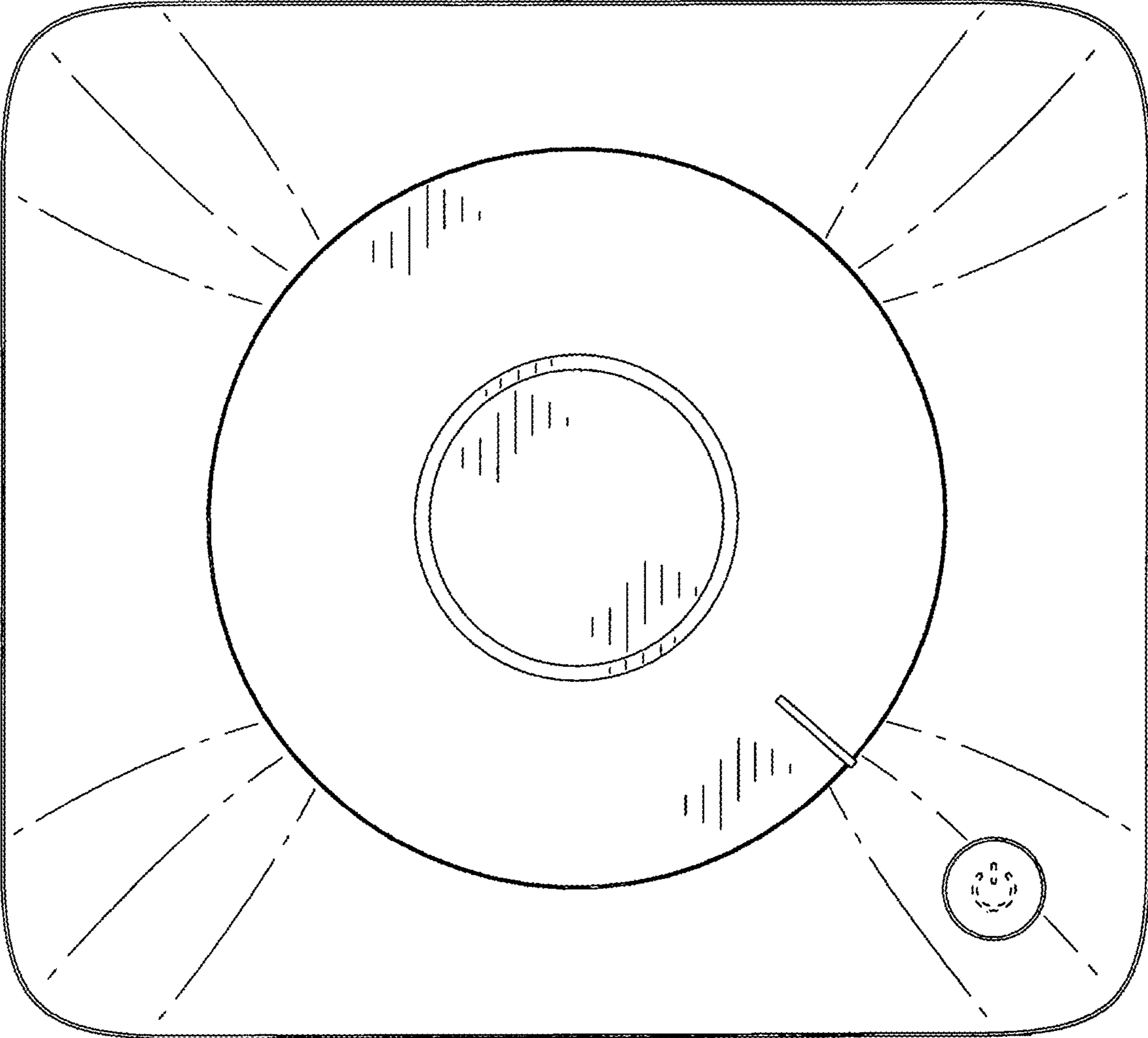


FIG. 2

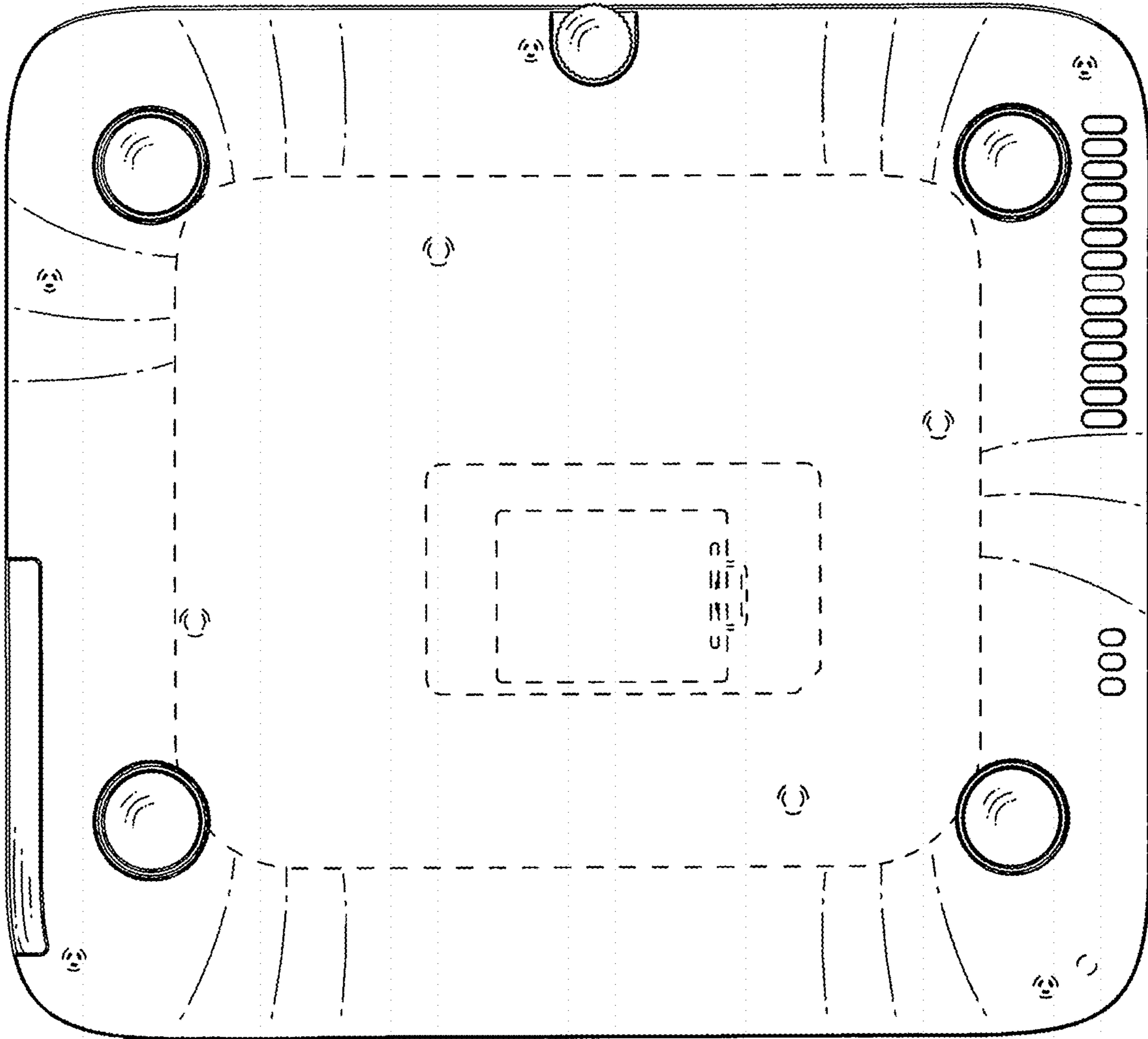


FIG. 3

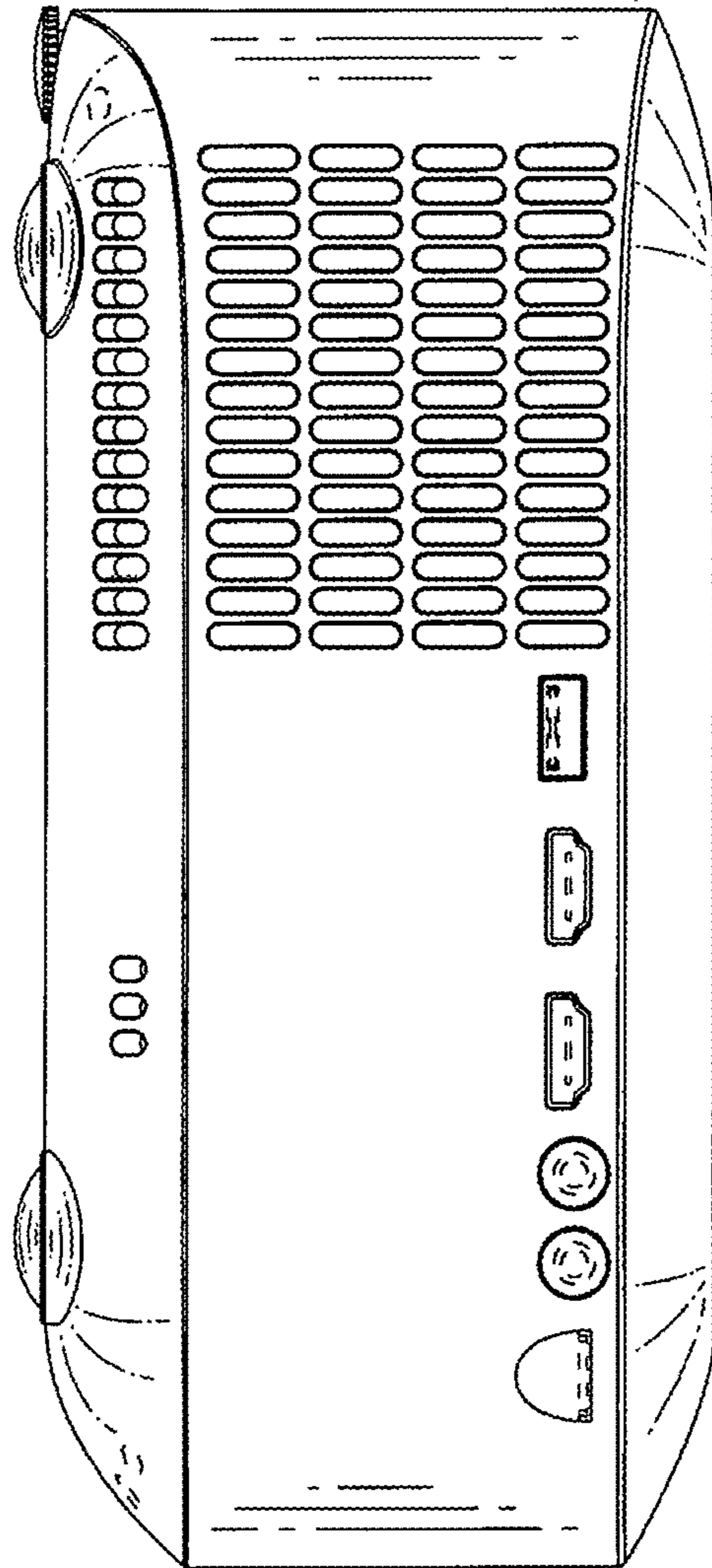


FIG. 4

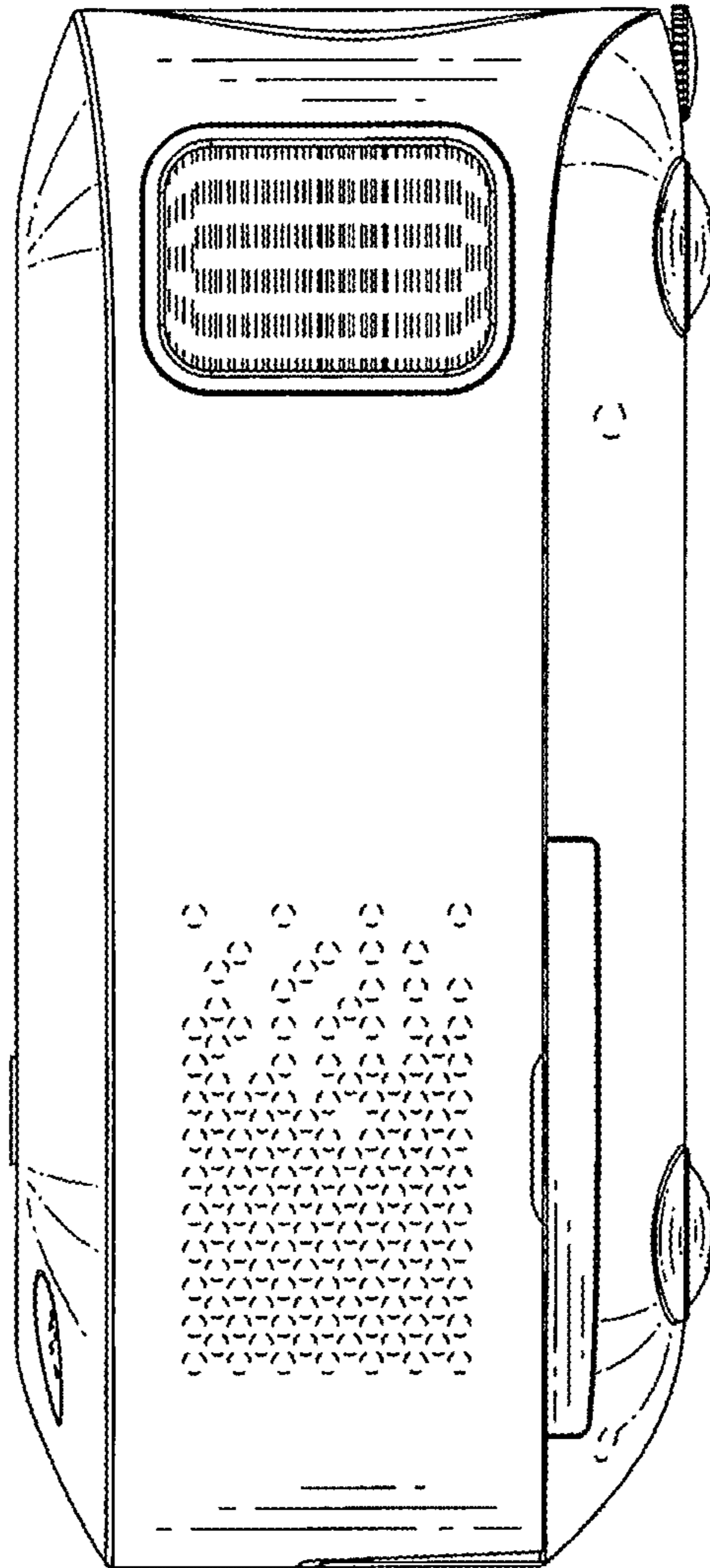


FIG. 5

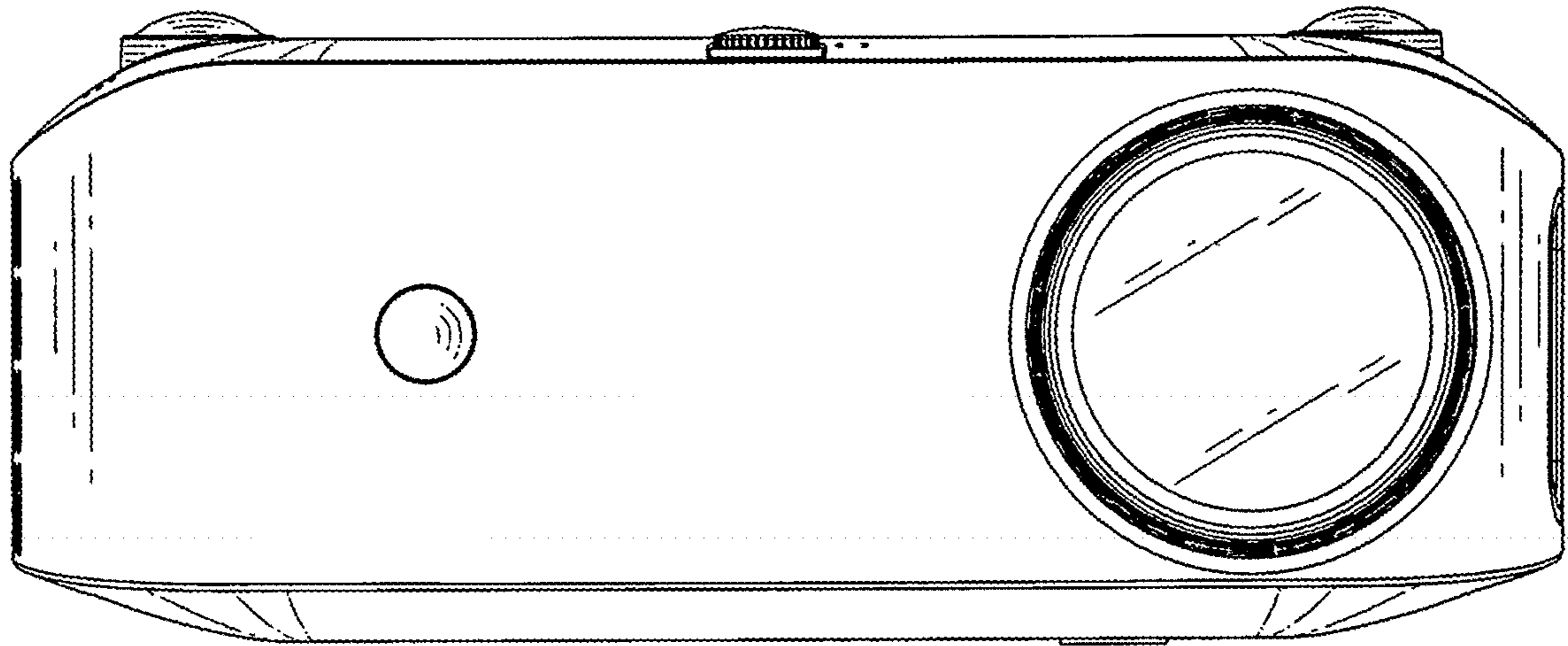


FIG. 6

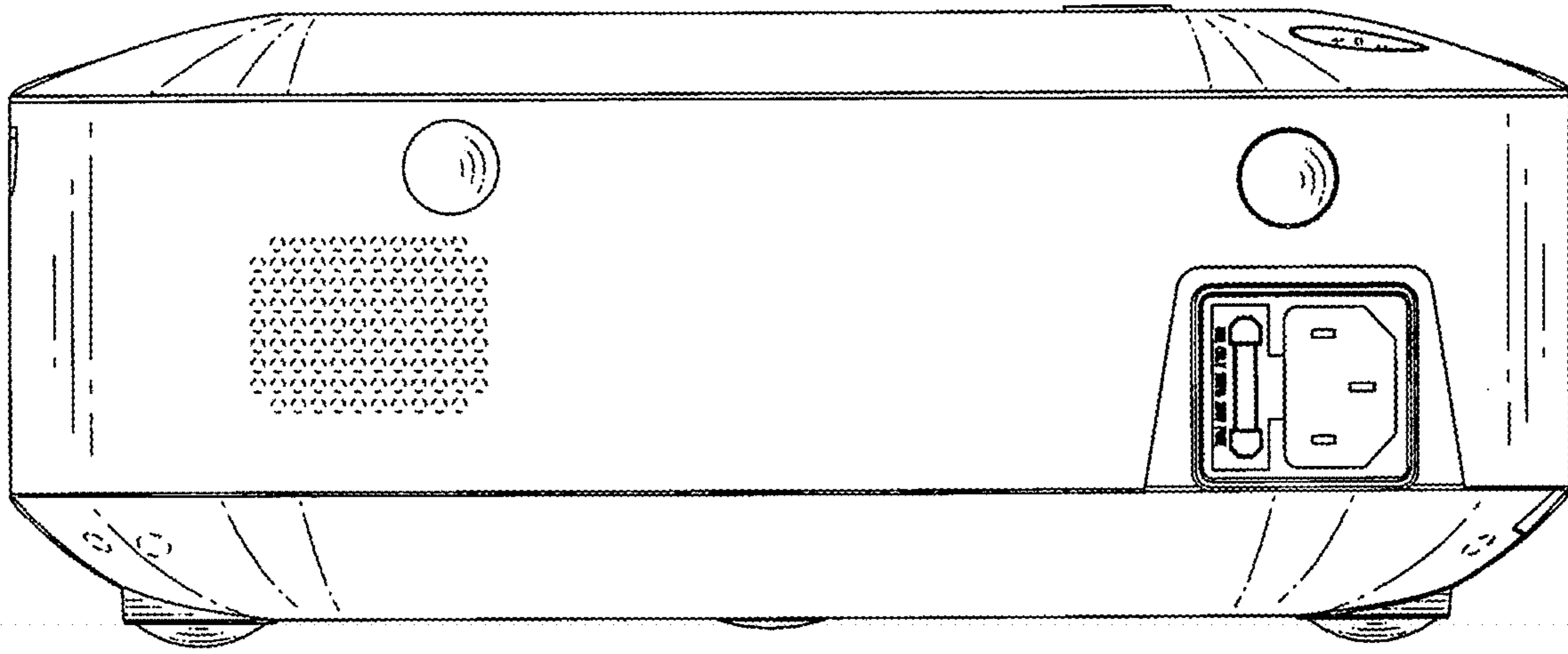


FIG. 7

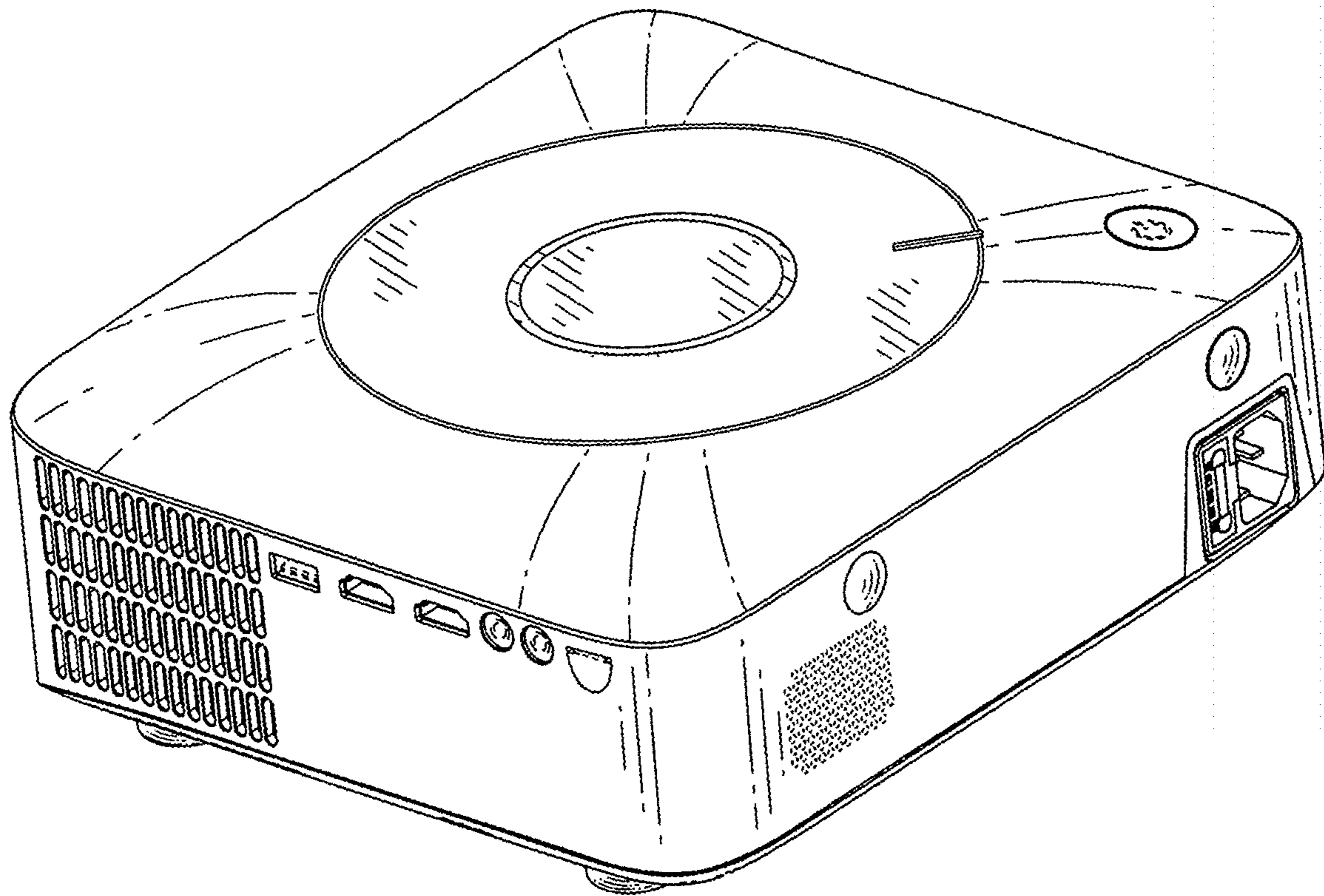


FIG. 8