



US00D958223S

(12) **United States Design Patent**
Minamikawa

(10) **Patent No.:** **US D958,223 S**
(45) **Date of Patent:** **** Jul. 19, 2022**

(54) **CAMERA**
(71) Applicant: **SONY CORPORATION**, Tokyo (JP)
(72) Inventor: **Tomotsugu Minamikawa**, Tokyo (JP)
(73) Assignee: **SONY CORPORATION**, Tokyo (JP)
(**) Term: **15 Years**
(21) Appl. No.: **29/661,777**

D410,662 S 6/1999 Harata
D456,435 S 4/2002 Hisatomi et al.
D491,942 S 6/2004 Takahashi
D493,463 S 7/2004 Takahashi
D516,598 S 3/2006 Wani
D516,601 S 3/2006 Ishii
D528,578 S 9/2006 Yasutomi
D574,015 S 7/2008 Masui
D599,833 S 9/2009 Dohi et al.
D601,122 S 9/2009 Hibino et al.
D607,481 S 1/2010 Takahashi

(Continued)

(22) Filed: **Aug. 30, 2018**

Related U.S. Application Data

(63) Continuation-in-part of application No. 29/619,634, filed on Sep. 29, 2017, now Pat. No. Des. 929,488.

Foreign Application Priority Data

Mar. 30, 2017 (JP) D2017-006739
Aug. 30, 2017 (JP) D2017-018693
Aug. 30, 2017 (JP) D2017-018694
Sep. 22, 2017 (JP) D2017-020771

(51) **LOC (13) Cl.** **16-05**

(52) **U.S. Cl.**
USPC **D16/219**

(58) **Field of Classification Search**

USPC D16/200, 202-208, 210, 218, 219, 242;
348/231.99, 373-376; 358/906;
396/536-538
CPC G03B 17/02; G03B 19/04; G03B 17/56;
G03B 17/04; G03B 15/03; G03B 17/14;
H04N 5/2251; H04N 5/2252; H04N
5/2253; H04N 5/2254

See application file for complete search history.

(56) **References Cited**

U.S. PATENT DOCUMENTS

D391,590 S 3/1998 Sumita
D401,256 S 11/1998 Harata

FOREIGN PATENT DOCUMENTS

JP D1096442 S 1/2001
JP D1154458 S 9/2002
JP D1193233 S 12/2003

Primary Examiner — Ramzi Almatrahi

(74) *Attorney, Agent, or Firm* — Michael Best and Friedrich LLP

(57) **CLAIM**

The ornamental design for a camera, as shown and described.

DESCRIPTION

FIG. 1 is a perspective view of a camera showing my new design;

FIG. 2 is a rear elevational view thereof;

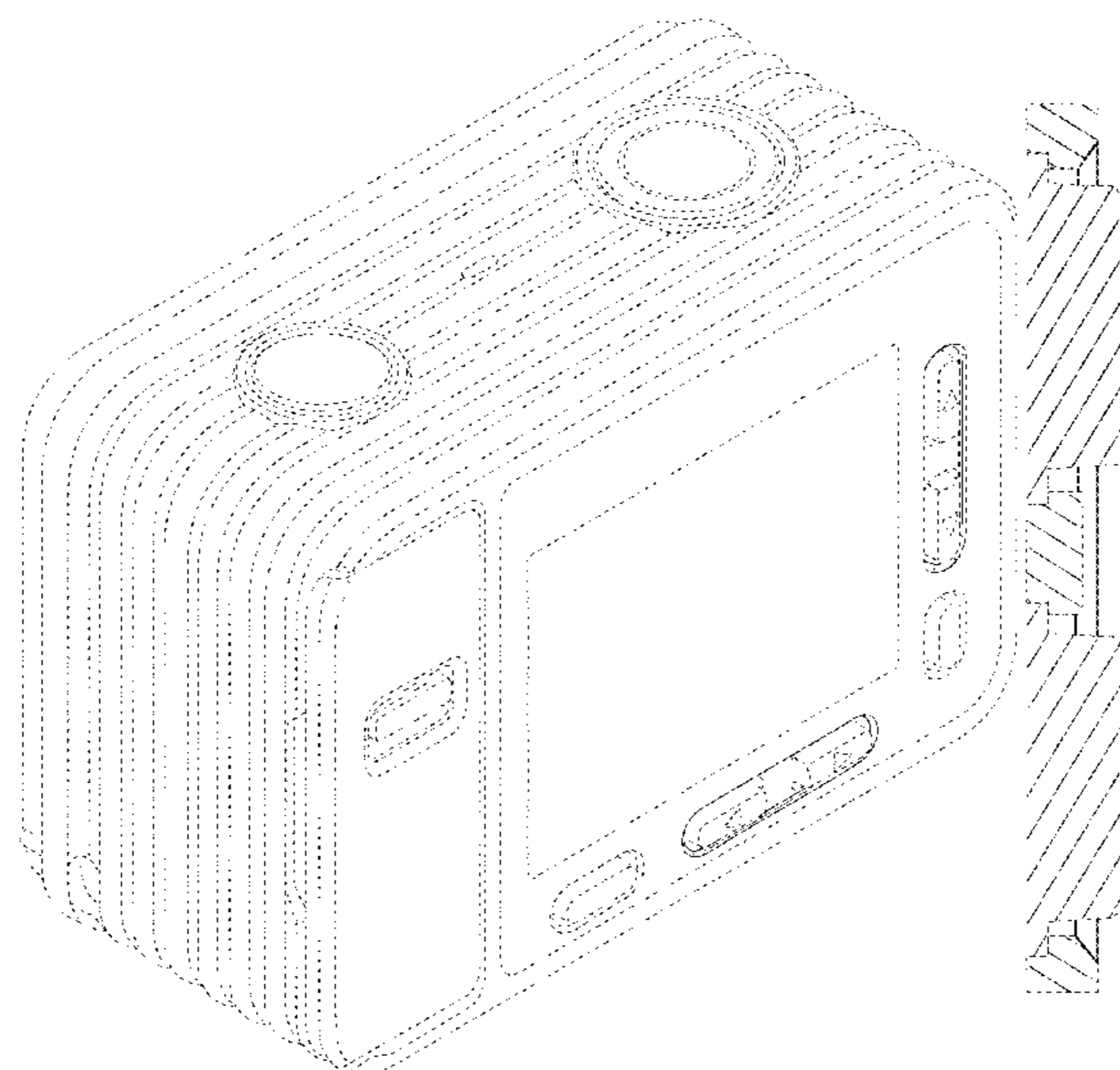
FIG. 3 is a left side elevational view thereof;

FIG. 4 is an enlarged cross sectional view thereof, taken along lines 4-4 and 4'-4' of FIG. 2 and along line 4''-4'' of FIG. 3; and,

FIG. 5 is an enlarged cross sectional view thereof, taken along lines 5-5 and 5'-5' of FIG. 2 and along line 5''-5'' of FIG. 3.

The broken lines depict portions of the camera in which the design is embodied that form no part of the claimed design.

1 Claim, 4 Drawing Sheets



(56)

References Cited

U.S. PATENT DOCUMENTS

D620,036 S	7/2010	Obata	
D707,743 S *	6/2014	Nakashima	D16/202
D721,753 S *	1/2015	Park	D16/202
D729,295 S *	5/2015	Onruang	D16/202
D752,125 S *	3/2016	Arimoto	D16/202
D756,436 S *	5/2016	Ku	D16/200
D759,141 S *	6/2016	Bacon	D16/200
D764,559 S *	8/2016	Luo	D16/202
D803,290 S *	11/2017	Martin	D16/204

* cited by examiner

FIG. 1

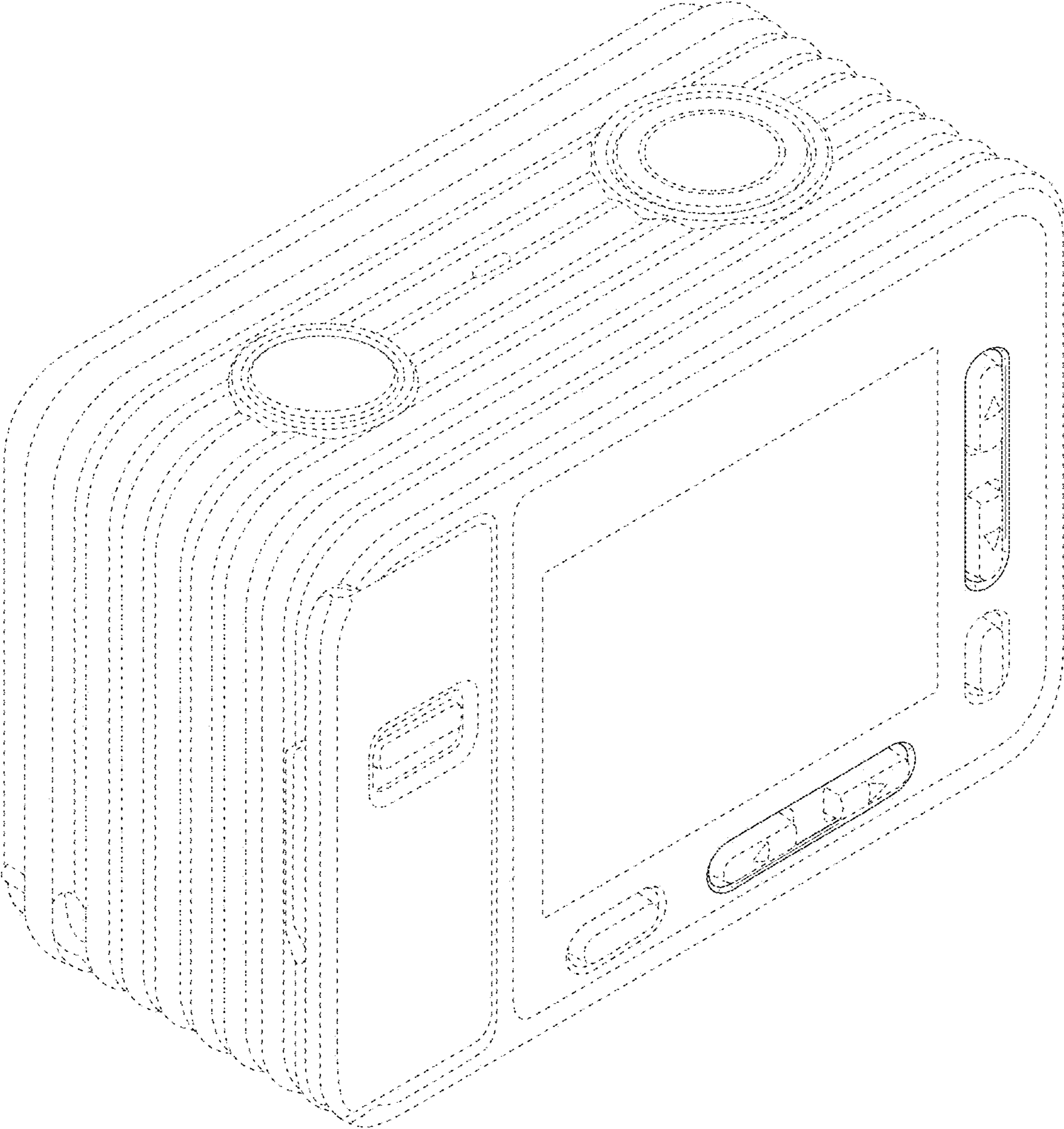
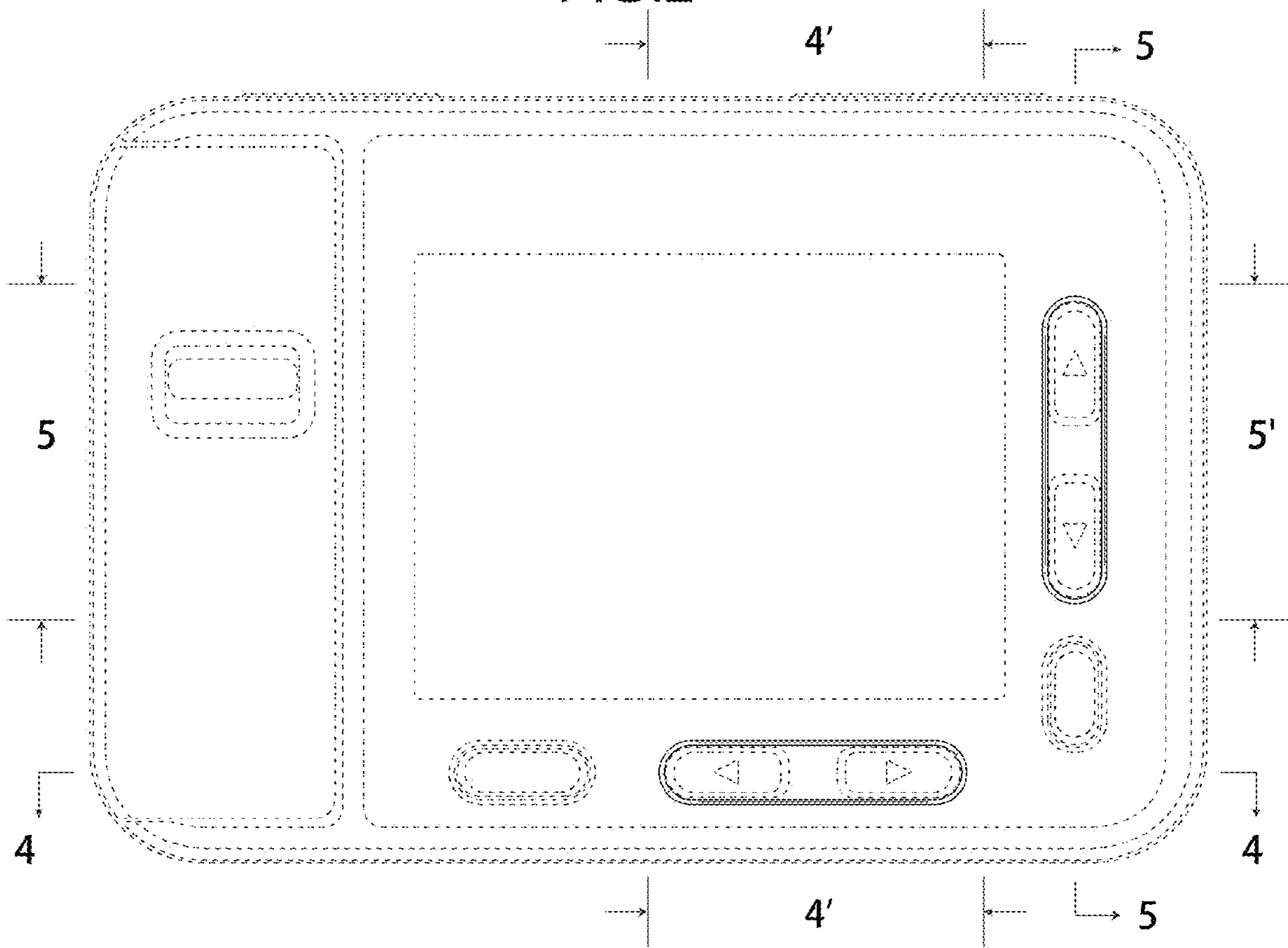


FIG.2



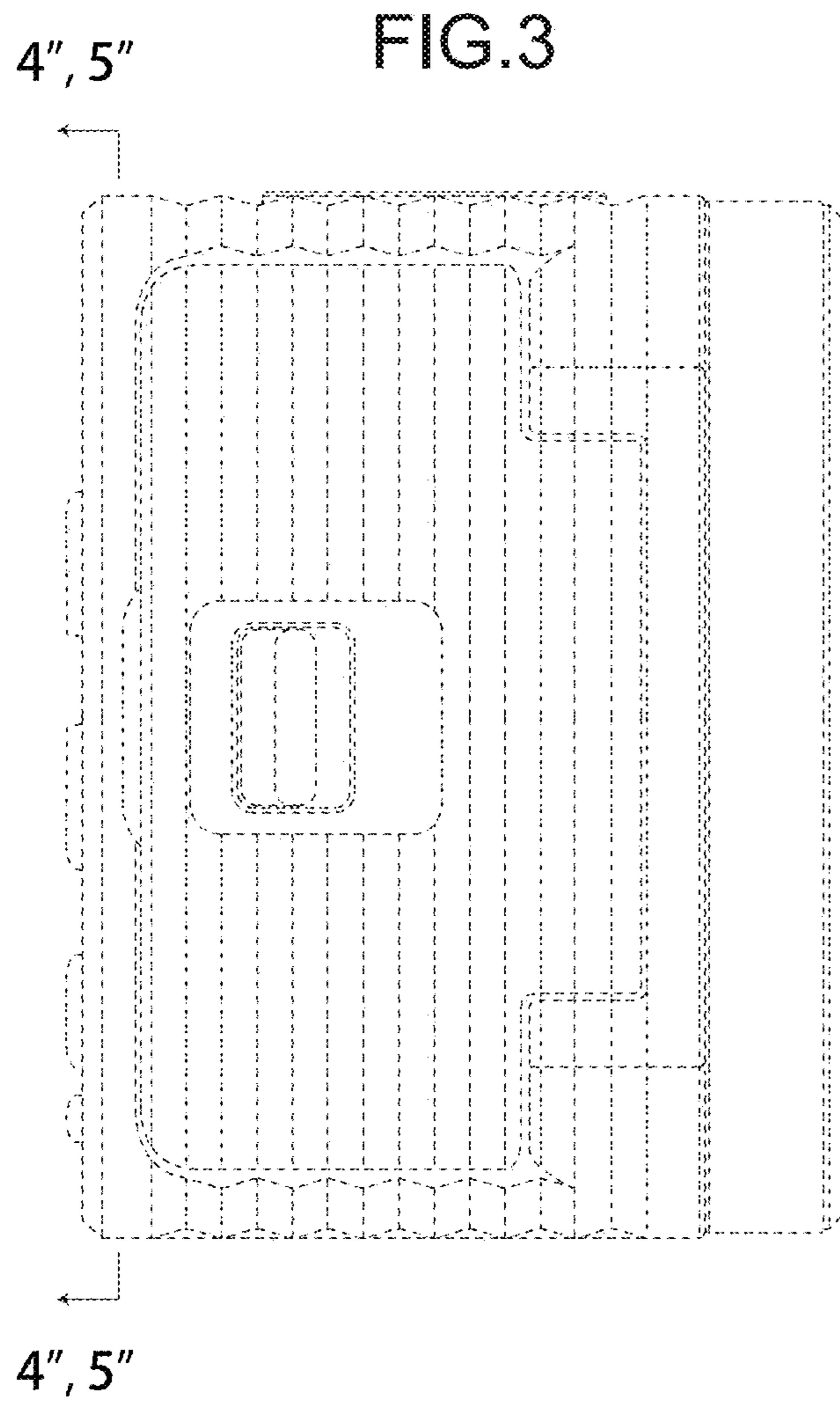


FIG.4

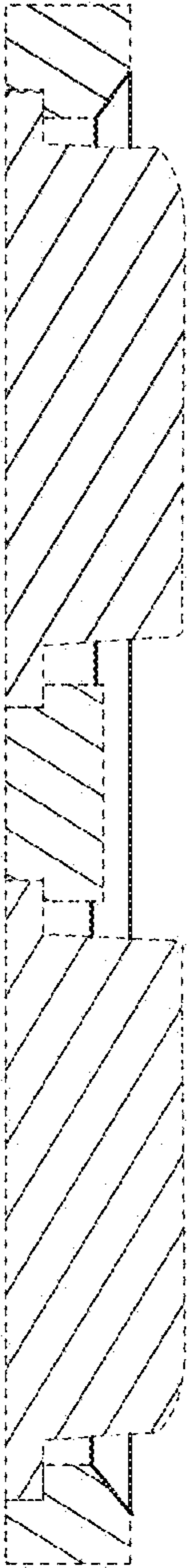


FIG.5

