



US00D958221S

(12) **United States Design Patent**
An

(10) **Patent No.:** **US D958,221 S**
(45) **Date of Patent:** **** Jul. 19, 2022**

(54) **IP CAMERA**

(71) Applicant: **Truen Co., Ltd.**, Seoul (KR)

(72) Inventor: **Jae Chun An**, Seoul (KR)

(73) Assignee: **Truen Co., Ltd.**, Seoul (KR)

(**) Term: **15 Years**

(21) Appl. No.: **29/745,952**

(22) Filed: **Aug. 11, 2020**

(30) **Foreign Application Priority Data**

Feb. 14, 2020 (KR) 30-2020-0006697

(51) **LOC (13) Cl.** **16-01**

(52) **U.S. Cl.**
USPC **D16/203**

(58) **Field of Classification Search**
USPC D16/200, 202–206, 218, 219, 242;
348/143, 148, 151, 373–376; 396/419,
396/427, 535, 539–541

CPC G03B 17/02; G03B 19/04; G03B 17/56;
G03B 17/04; G03B 15/03; H04N 5/2251;
H04N 5/2252; H04N 5/2253; H04N
5/2254; H04N 7/181; H04N 7/183; H04N
7/18; G08B 13/1963; G08B 13/19619;
G08B 13/19632; F16M 11/04; F16M
13/00

See application file for complete search history.

(56) **References Cited**

U.S. PATENT DOCUMENTS

D552,650 S * 10/2007 Yamakawa D16/203
D609,732 S * 2/2010 Frank D16/203

D704,240 S * 5/2014 McBride D16/203
D723,395 S * 3/2015 Dispenza D10/53
D751,619 S * 3/2016 Jeong D16/203
D753,204 S * 4/2016 Luo D16/202
D813,926 S * 3/2018 Shin D16/203
D867,425 S * 11/2019 Shuai D16/203
D870,180 S * 12/2019 Qiu D16/203
D883,357 S * 5/2020 Moon D16/203
D884,768 S * 5/2020 Liu D16/203
D890,831 S * 7/2020 Zheng D16/203
D891,502 S * 7/2020 Kan D16/203
D898,097 S * 10/2020 Ravat D16/203
D900,907 S * 11/2020 Zhou D16/203
D901,572 S * 11/2020 Wang D16/203
D902,975 S * 11/2020 Zhong D16/203
D911,413 S * 2/2021 Yamazaki D16/202

* cited by examiner

Primary Examiner — Ramzi Almatrahi

(74) *Attorney, Agent, or Firm* — Harness, Dickey & Pierce, P.L.C.

(57) **CLAIM**

The ornamental design for an IP camera, as shown and described.

DESCRIPTION

FIG. 1 is a top, front, and right side perspective view of an IP camera, showing my new design;

FIG. 2 is a bottom, front, and right side perspective view thereof;

FIG. 3 is a front elevation view thereof;

FIG. 4 is a back elevation view thereof;

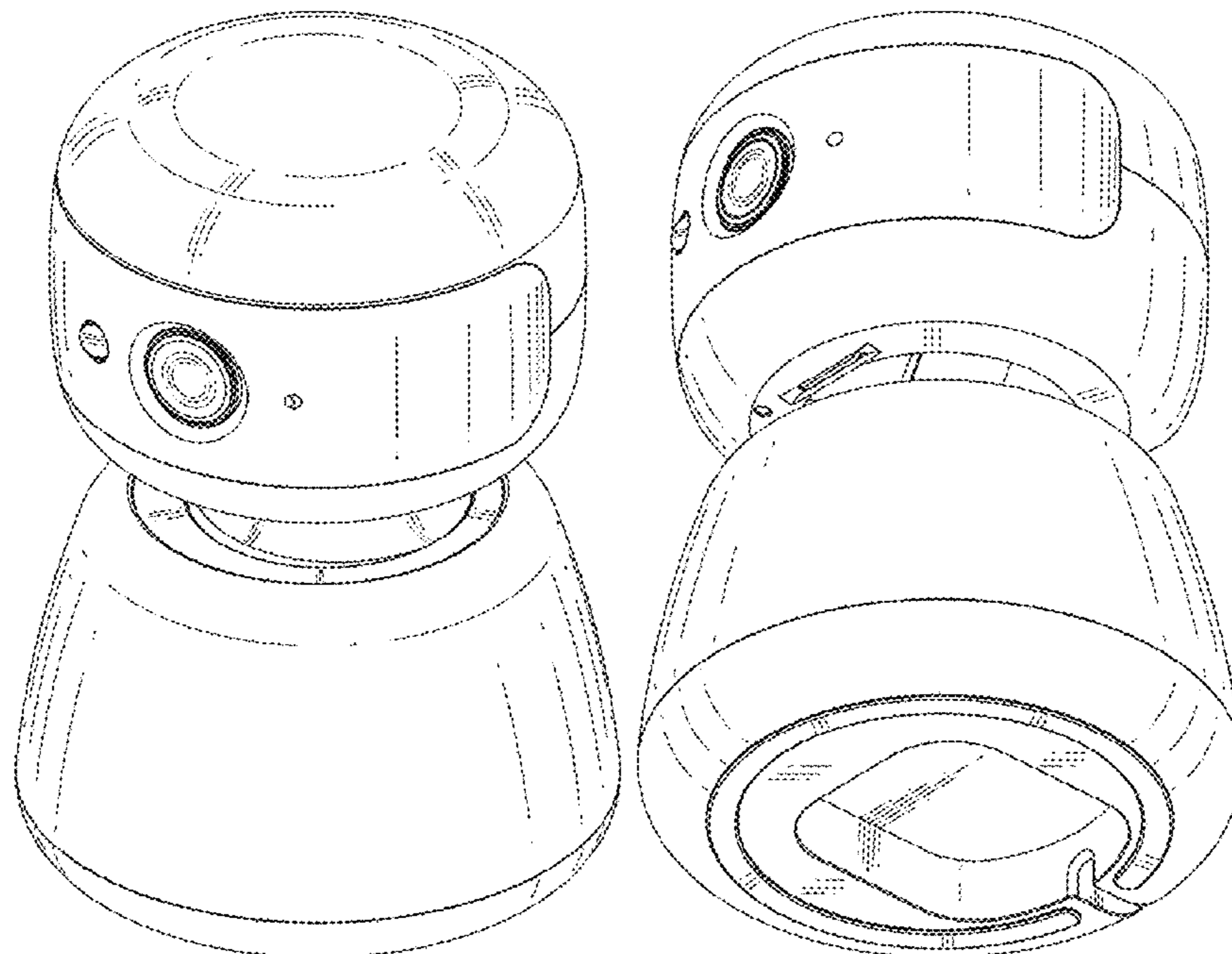
FIG. 5 is a left side elevation view thereof;

FIG. 6 is a right side elevation view thereof;

FIG. 7 is a top plan view thereof; and,

FIG. 8 is a bottom plan view thereof.

1 Claim, 8 Drawing Sheets



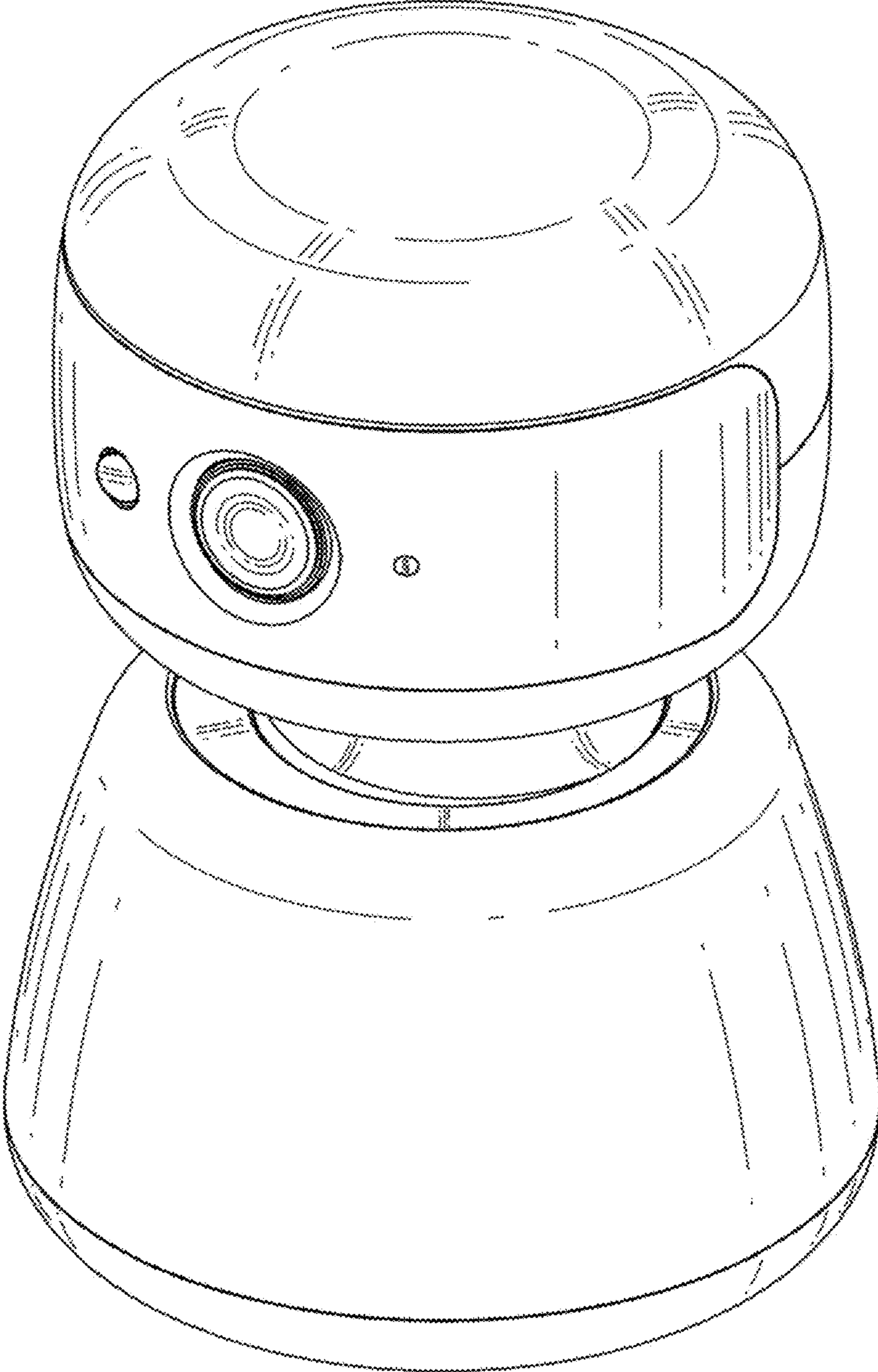


FIG. 1

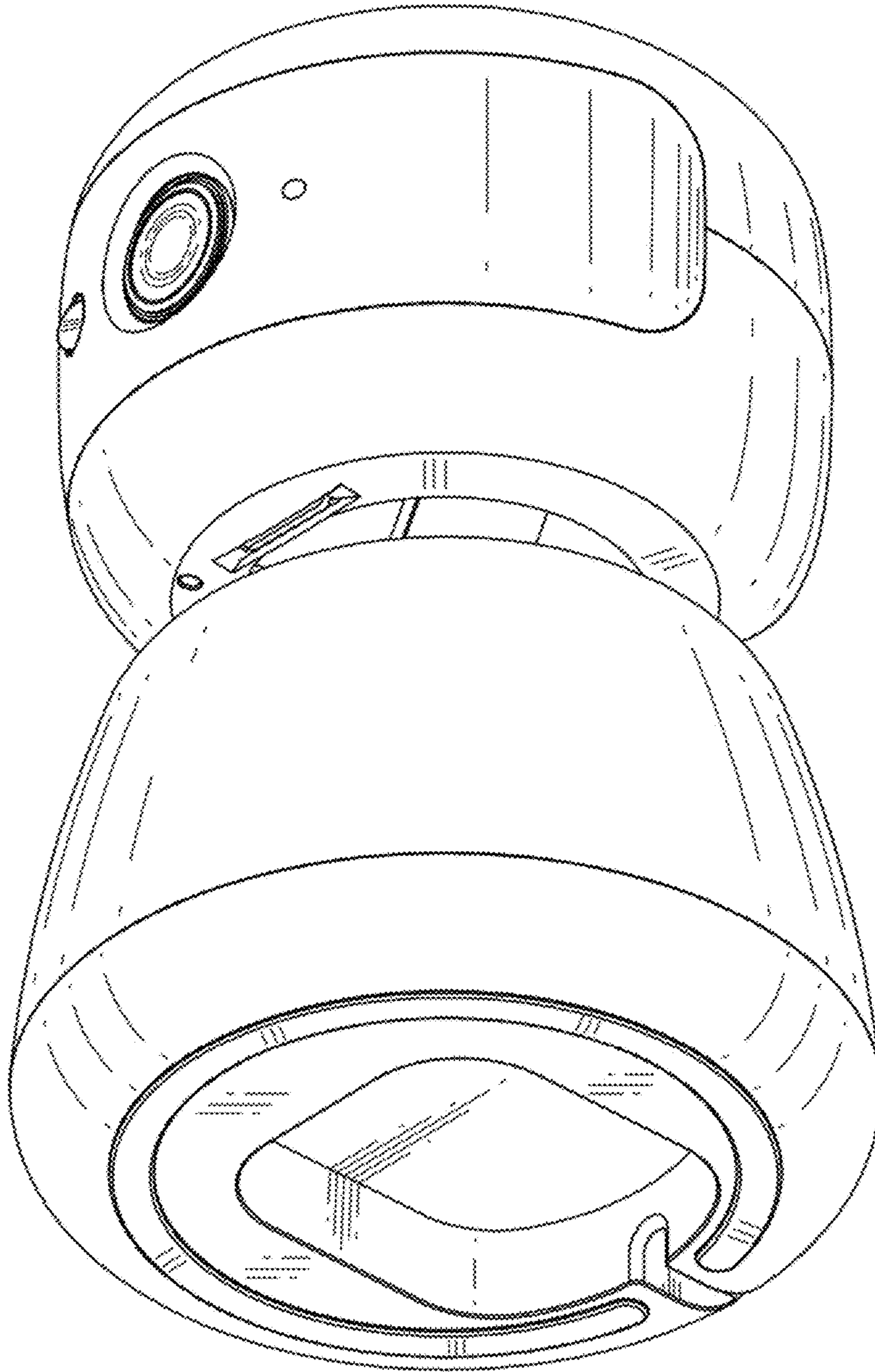


Fig. 2

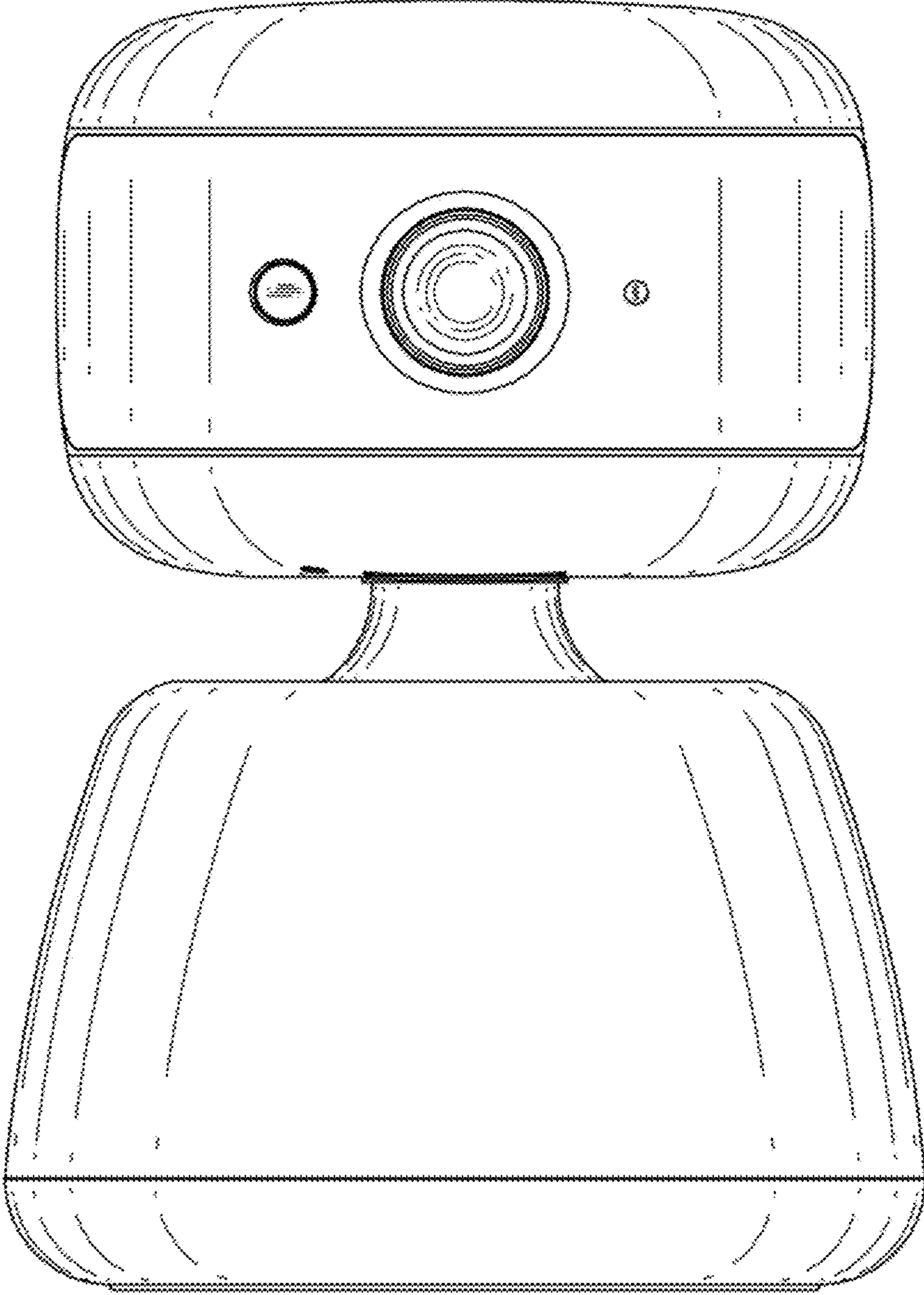


Fig. 3

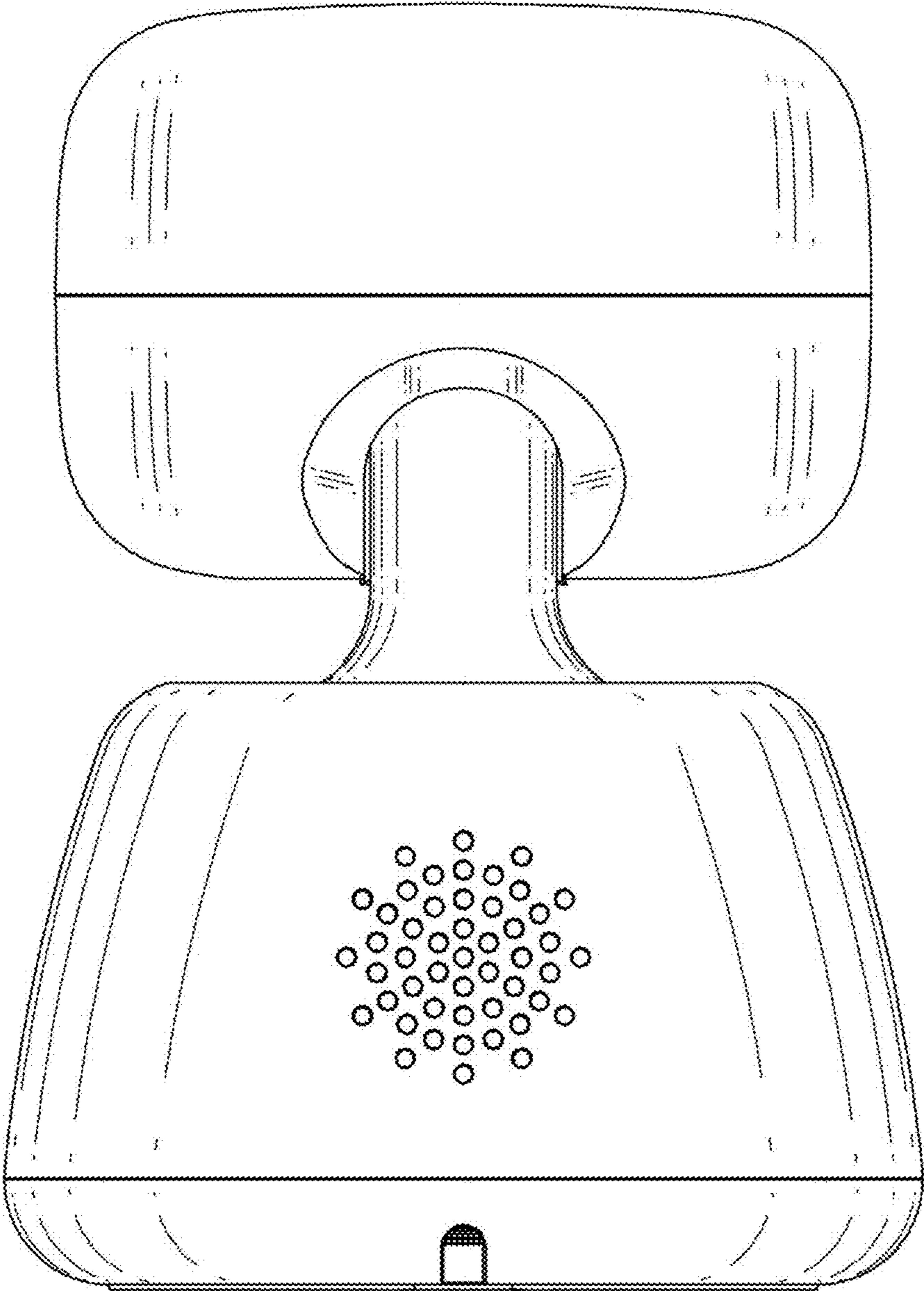


Fig. 4

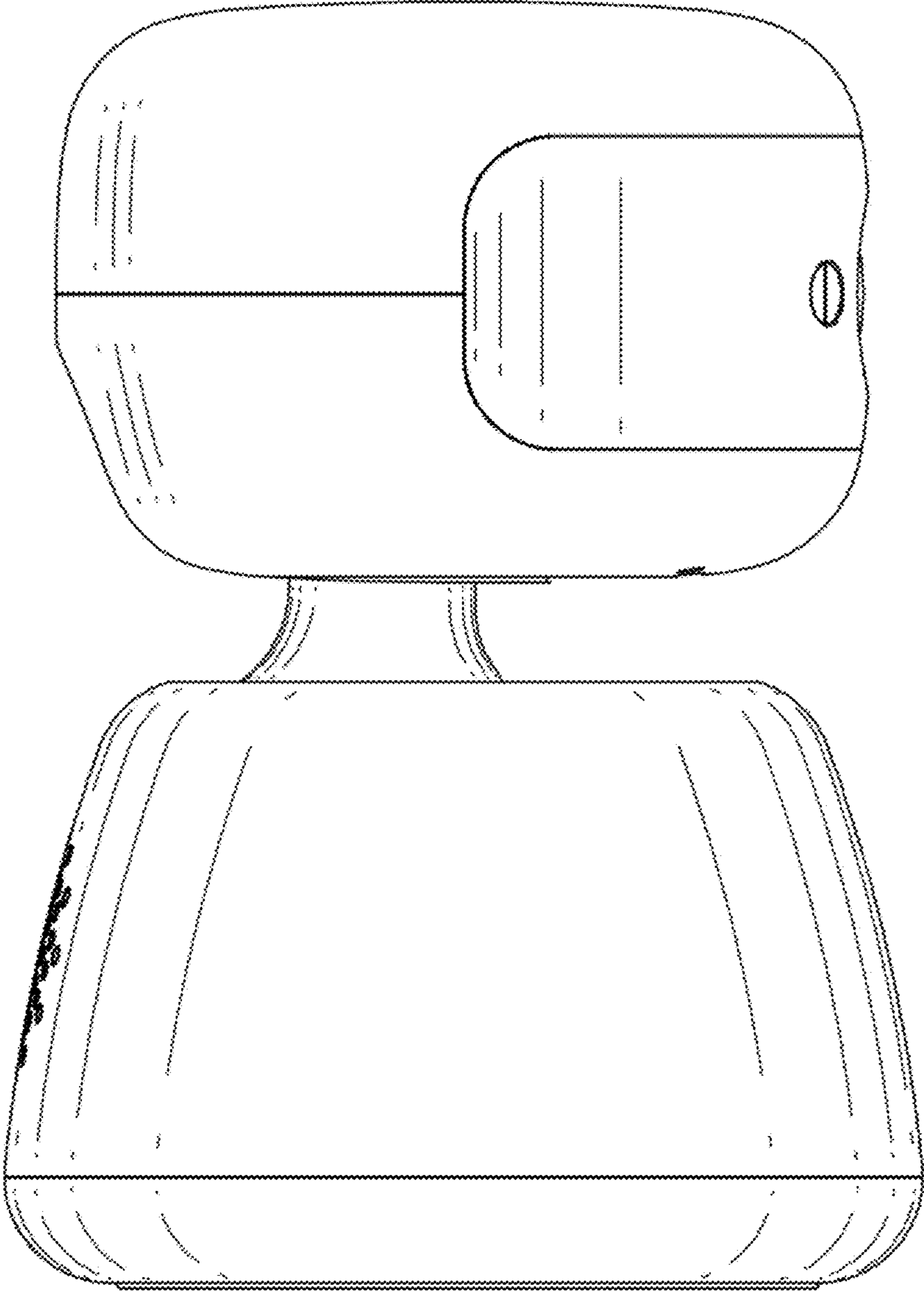


Fig. 5

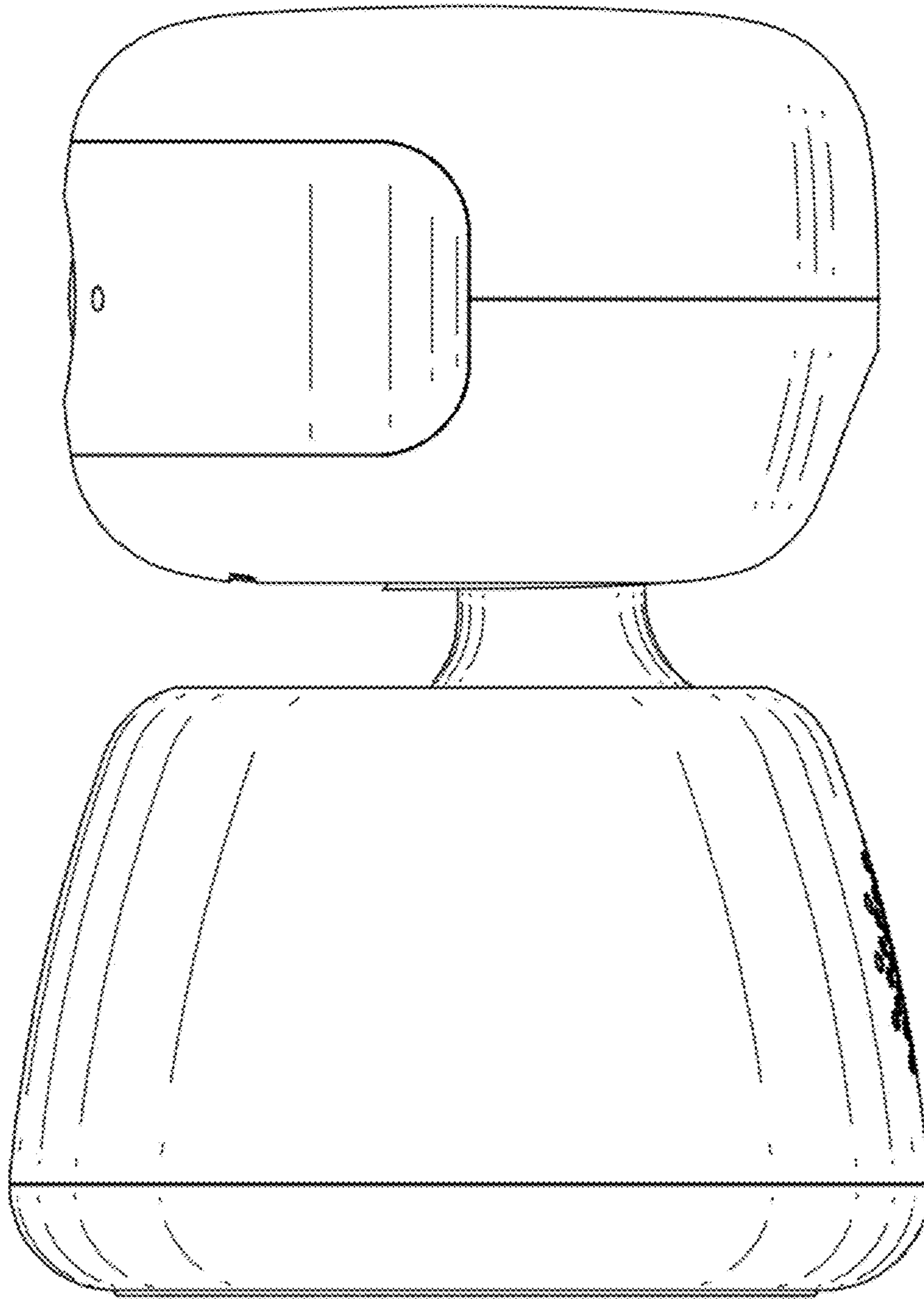


Fig. 6

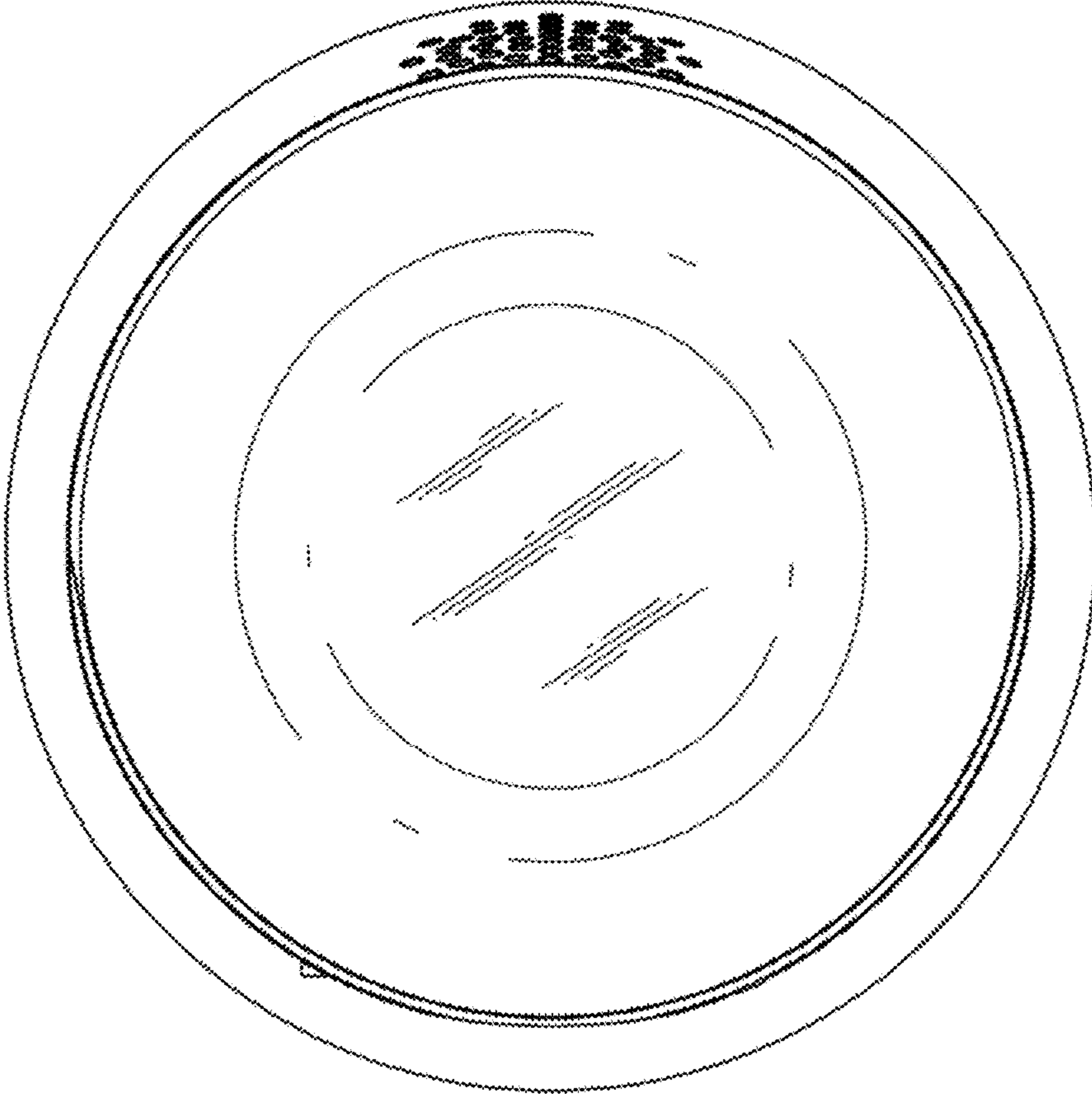


Fig. 7

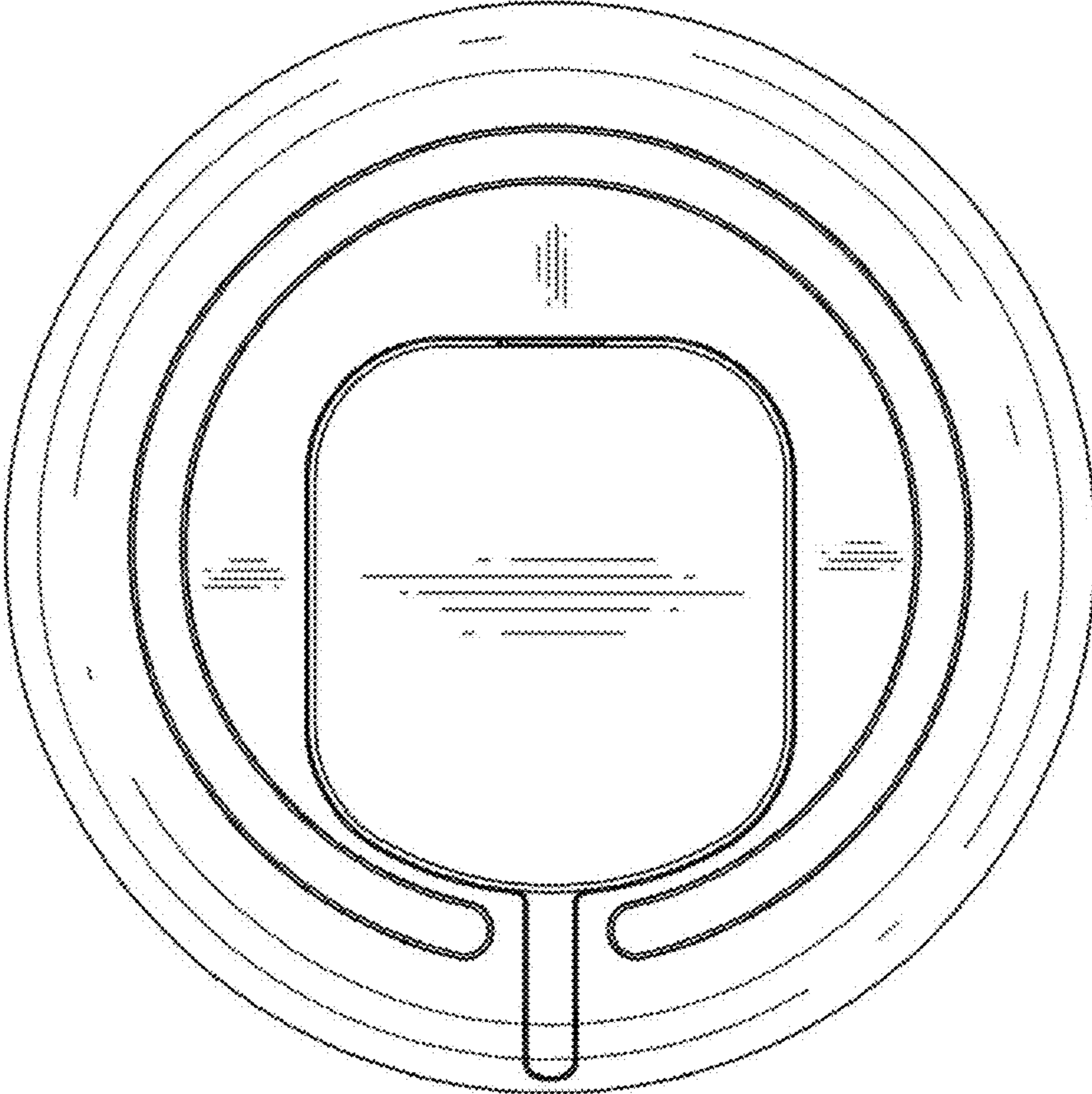


Fig. 8