



US00D958219S

(12) **United States Design Patent**
Okawa et al.

(10) **Patent No.:** **US D958,219 S**

(45) **Date of Patent:** **** Jul. 19, 2022**

(54) **WEARABLE CAMERA**

(71) Applicant: **PANASONIC I-PRO SENSING SOLUTIONS CO., LTD.**, Fukuoka (JP)

(72) Inventors: **Takayuki Okawa**, Tokyo (JP);
Takehito Katori, Kanagawa (JP)

(73) Assignee: **PANASONIC I-PRO SENSING SOLUTIONS CO., LTD.**, Fukuoka (JP)

(**) Term: **15 Years**

(21) Appl. No.: **29/724,353**

(22) Filed: **Feb. 14, 2020**

(51) **LOC (13) Cl.** **16-01**

(52) **U.S. Cl.**
USPC **D16/200; D16/203**

(58) **Field of Classification Search**
USPC D16/200–204, 207–208; D10/61, 65, 70, D10/71, 104.1, 106.6; D14/203.1
CPC G03B 15/03; G03B 17/02; G03B 17/04; G03B 17/56; G03B 19/04; H04N 7/141; H04N 7/142; H04N 7/147; H04N 7/148; H04N 7/15; H04N 7/152; H04N 5/2251; H04N 5/2252; H04N 5/2253; H04N 5/2254; H04N 5/23216; H04N 5/232939; H04N 2101/00; H04N 2007/145
See application file for complete search history.

(56) **References Cited**

U.S. PATENT DOCUMENTS

D616,901 S * 6/2010 Ward D16/208
D729,295 S * 5/2015 Onruang D16/202
D747,379 S * 1/2016 Onruang D16/202
D751,617 S 3/2016 Sakigawara et al.
D754,768 S * 4/2016 Patulski D16/202

D754,769 S * 4/2016 Patulski D16/202
D755,271 S * 5/2016 Patulski D16/202
D755,272 S * 5/2016 Patulski D16/202

(Continued)

FOREIGN PATENT DOCUMENTS

GB 4035183 * 5/2014
JP D1652810 * 5/2020

OTHER PUBLICATIONS

“GRC 1512P HD Police Body Camera, 128G Memory,4000mAh Battery Premium Body Worn Camera,Waterproof Body Cameras with Audio Recording Wearable Night Vision GPS for Law Enforcement,Ambarella H22 Chip” from Amazon.com, first available Jan. 21, 2021 from the internet <<https://www.amazon.com/dp/B08TMG7D58/>> (Year: 2021).*

(Continued)

Primary Examiner — Rosemary K Tarcza
Assistant Examiner — Lacey Chey Bowman
(74) *Attorney, Agent, or Firm* — Greenblum & Bernstein, P.L.C.

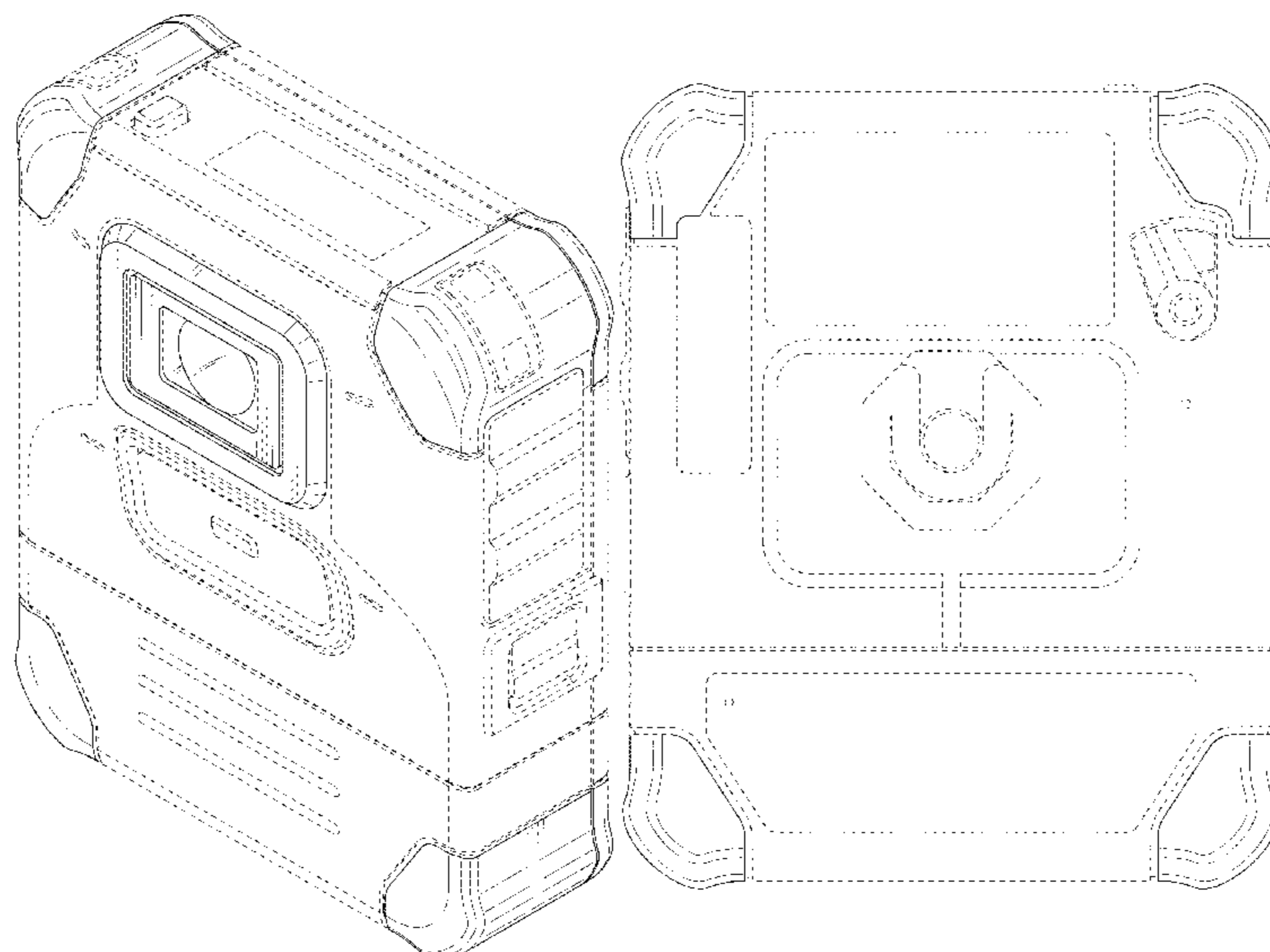
(57) **CLAIM**

The ornamental design for a wearable camera, as shown and described.

DESCRIPTION

FIG. 1 is a perspective view of the front, right, and top sides of a wearable camera showing our new design;
FIG. 2 is a front view thereof;
FIG. 3 is a rear view thereof;
FIG. 4 is a left side view thereof;
FIG. 5 is a right side view thereof;
FIG. 6 is a top plan view thereof; and,
FIG. 7 is a bottom plan view thereof.
The broken lines shown in the drawings illustrate portions of the wearable camera that form no part of the claimed design. The dash-dot lines illustrate the boundaries of the claimed design and form no part thereof.

1 Claim, 7 Drawing Sheets



(56)

References Cited

U.S. PATENT DOCUMENTS

D812,672 S * 3/2018 Patulski D16/219
D818,025 S * 5/2018 Wong D16/202
D824,983 S * 8/2018 Wong D16/208
D838,307 S * 1/2019 Patulski D16/219
D846,620 S * 4/2019 Katori D16/203
D848,509 S * 5/2019 Lee D16/218
D865,844 S * 11/2019 Jalala D16/218
10,593,489 B2 * 3/2020 Oomori H04N 5/2252
10,659,662 B2 * 5/2020 Takada H04N 7/183
11,258,928 B2 * 2/2022 Hamada H01M 50/262

OTHER PUBLICATIONS

“BWC4000 Body-Worn Camera” from i-pro.com, first retrieved on Mar. 3, 2022 from the internet <<https://i-pro.com/us/en/publicsafety/products/next-generation-body-worn-camera/#resources>> (Year: 2022).*

* cited by examiner

FIG. 1

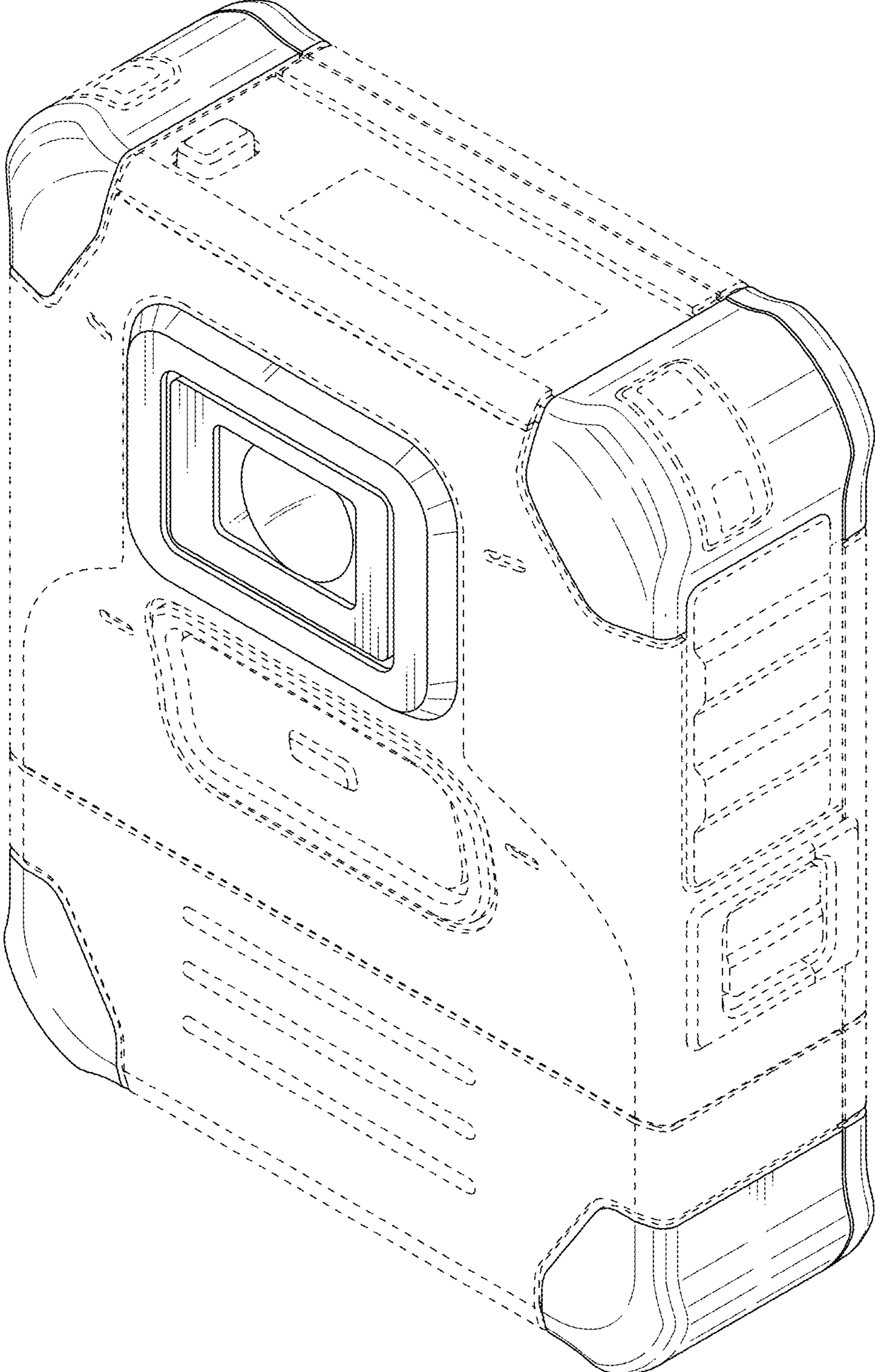


FIG. 2

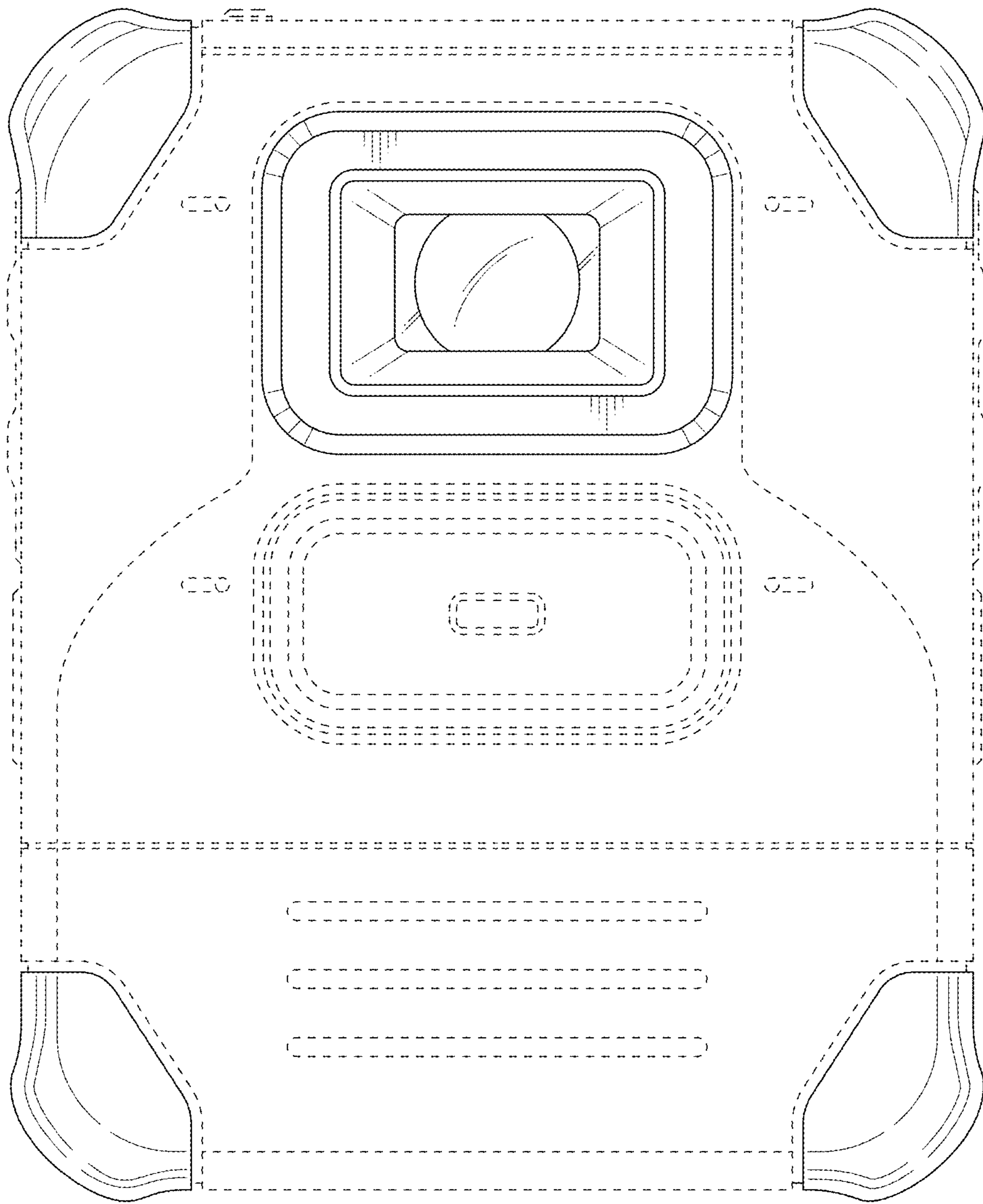


FIG. 3

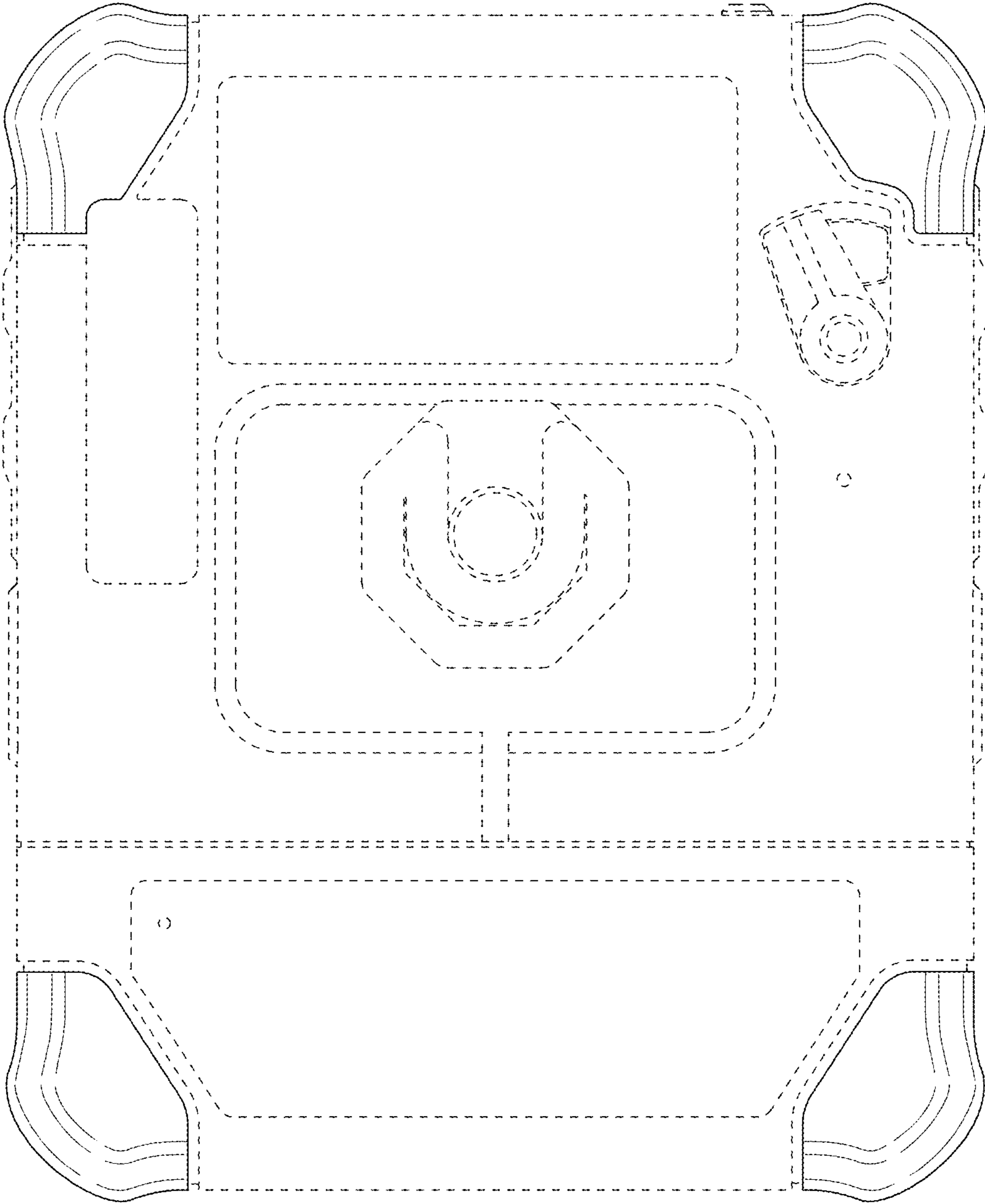


FIG. 4

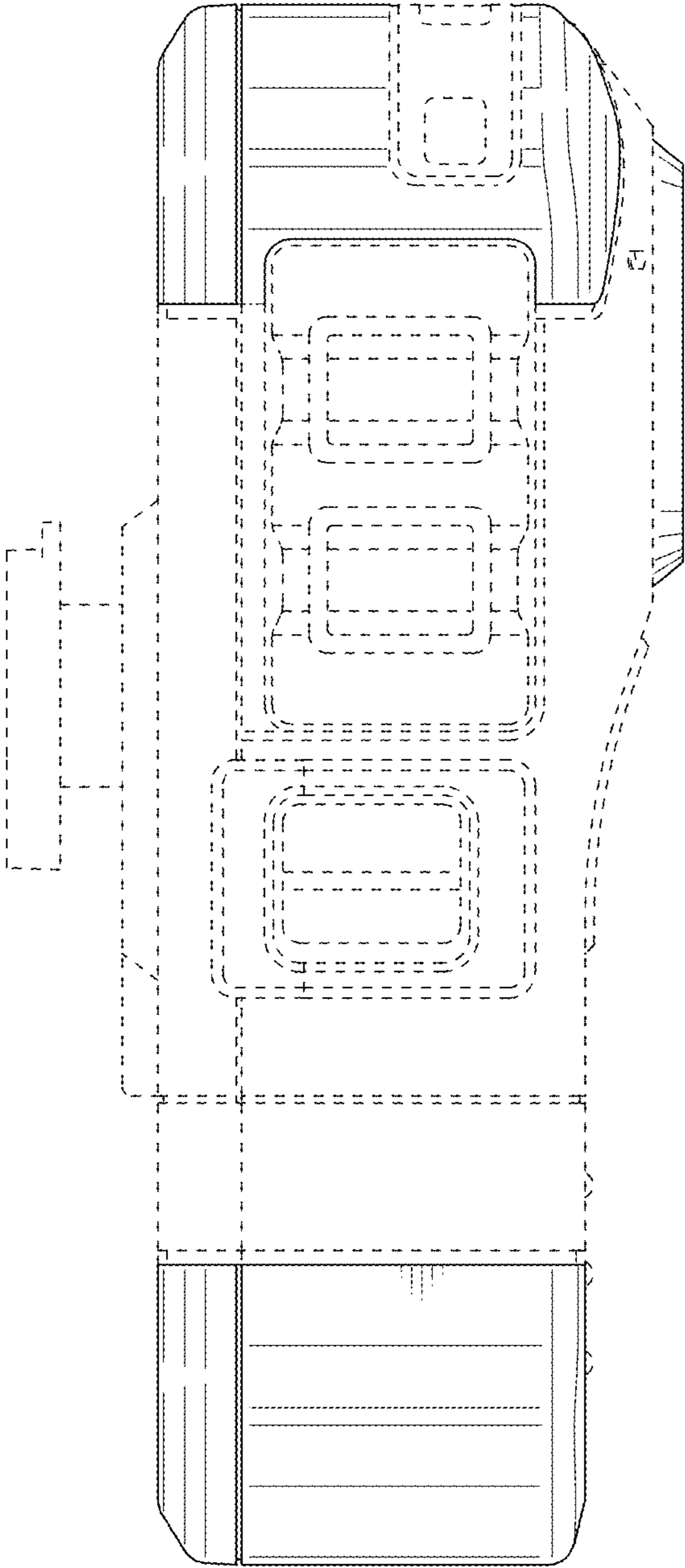


FIG. 5

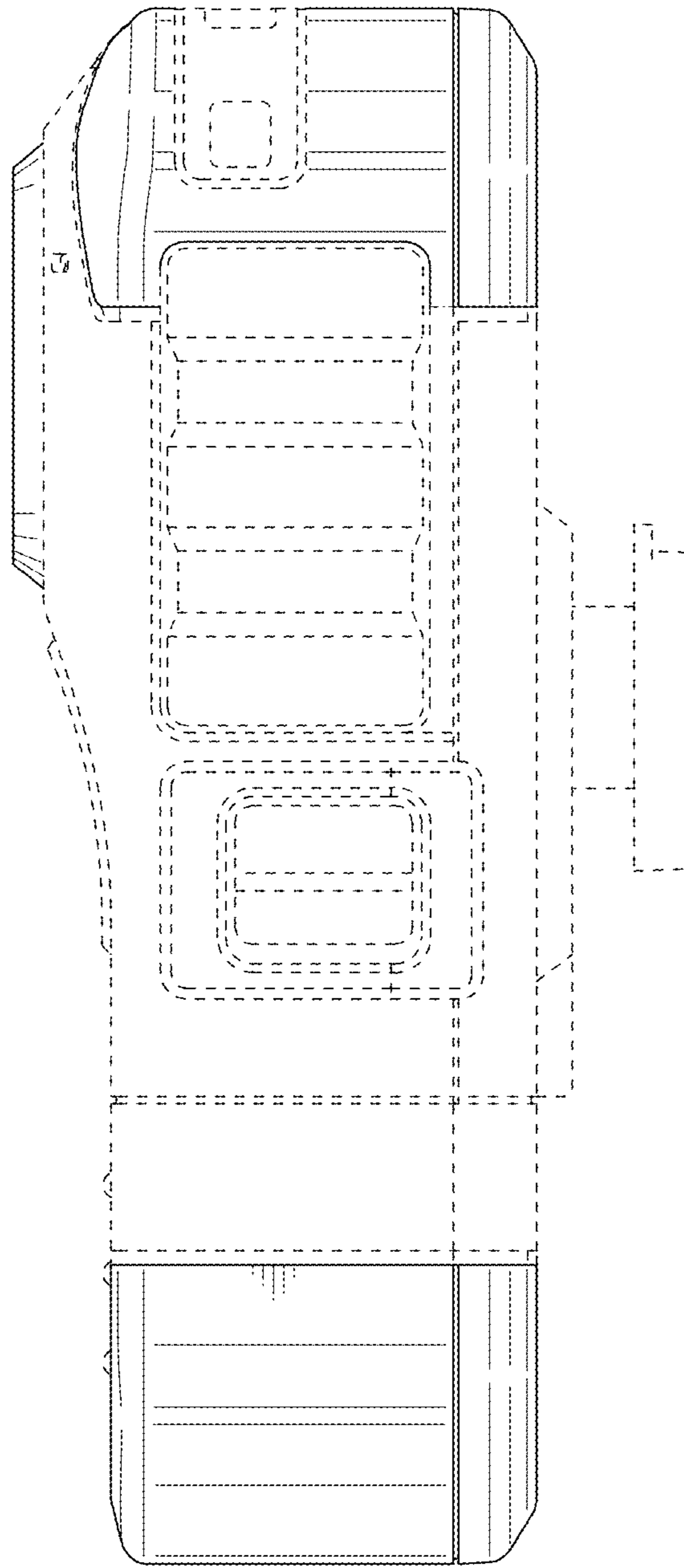


FIG. 6

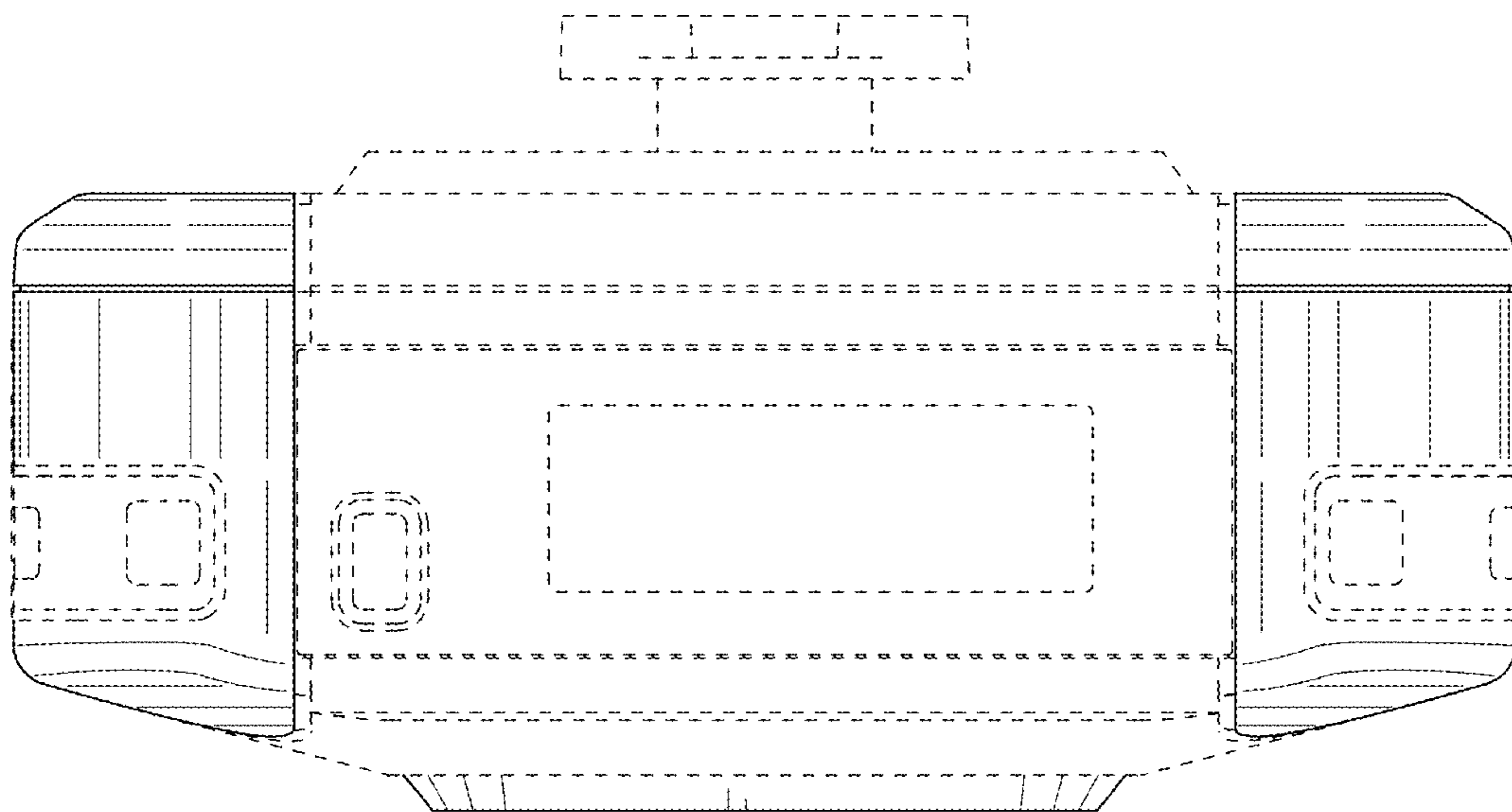


FIG. 7

