



US00D958217S

(12) **United States Design Patent**
Narasaki et al.

(10) **Patent No.:** **US D958,217 S**
(45) **Date of Patent:** **** Jul. 19, 2022**

(54) **BINOCULARS**

(71) Applicant: **FUJIFILM Corporation**, Tokyo (JP)

(72) Inventors: **Shohei Narasaki**, Saitama (JP);
Hiroyuki Sakai, Saitama (JP)

(73) Assignee: **FUJIFILM Corporation**, Tokyo (JP)

(**) Term: **15 Years**

(21) Appl. No.: **29/760,858**

(22) Filed: **Dec. 4, 2020**

(30) **Foreign Application Priority Data**

Jun. 25, 2020 (JP) 2020-012787 D

(51) **LOC (13) Cl.** **16-06**

(52) **U.S. Cl.**
USPC **D16/133**

(58) **Field of Classification Search**
USPC D16/130, 131, 132, 133, 135, 136, 200,
D16/202, 203, 219, 230
CPC G02B 23/00; G02B 23/18
See application file for complete search history.

(56) **References Cited**

U.S. PATENT DOCUMENTS

D412,177 S	*	7/1999	Fujii	D16/133
D486,507 S	*	2/2004	Fujii	D16/133
D671,974 S	*	12/2012	Wunnicke	D16/133
D691,020 S	*	10/2013	Wiese	D8/323
D713,437 S	*	9/2014	Soejima	D16/133
D748,177 S	*	1/2016	Radau	D16/133
D780,243 S	*	2/2017	Marsiglia	D16/133
D859,489 S	*	9/2019	Kobayashi	D16/133
D869,535 S	*	12/2019	Schmitt	D16/133
D896,292 S	*	9/2020	Ushio	D16/133
D904,480 S	*	12/2020	Vanková et al.	D16/133
D931,354 S	*	9/2021	Ye	D16/133
D932,533 S	*	10/2021	Sakai	D16/133

D939,006 S	*	12/2021	Suzuki	D16/133
D940,773 S	*	1/2022	Sakai	D16/133
D940,774 S	*	1/2022	Sakai	D16/133

FOREIGN PATENT DOCUMENTS

JP 1411764 S 4/2011

OTHER PUBLICATIONS

Fujinon Roof Prism Binocular, Fujifilm, https://www.adorama.com/fu16670613.html?gclid=EAIalQobChMllvj-2-y-9glVgonlCh09-gmcEAQYBiABEgJ-TvD_BwE&gclid=EAIalQobChMllvj-2-y-9glVgonlCh09-gmcEAQYBiABEgJ-TvD_BwE&utm_source=adl-gbase-p-drones, retrieved Mar. 11, 2022 (Year: 2022).
Office Action issued in JP 2020-012787; mailed by the Japanese Patent Office dated Oct. 23, 2020.

(Continued)

Primary Examiner — Richard Kearney

Assistant Examiner — Benjamin M Weeks

(74) *Attorney, Agent, or Firm* — Studebaker & Brackett PC

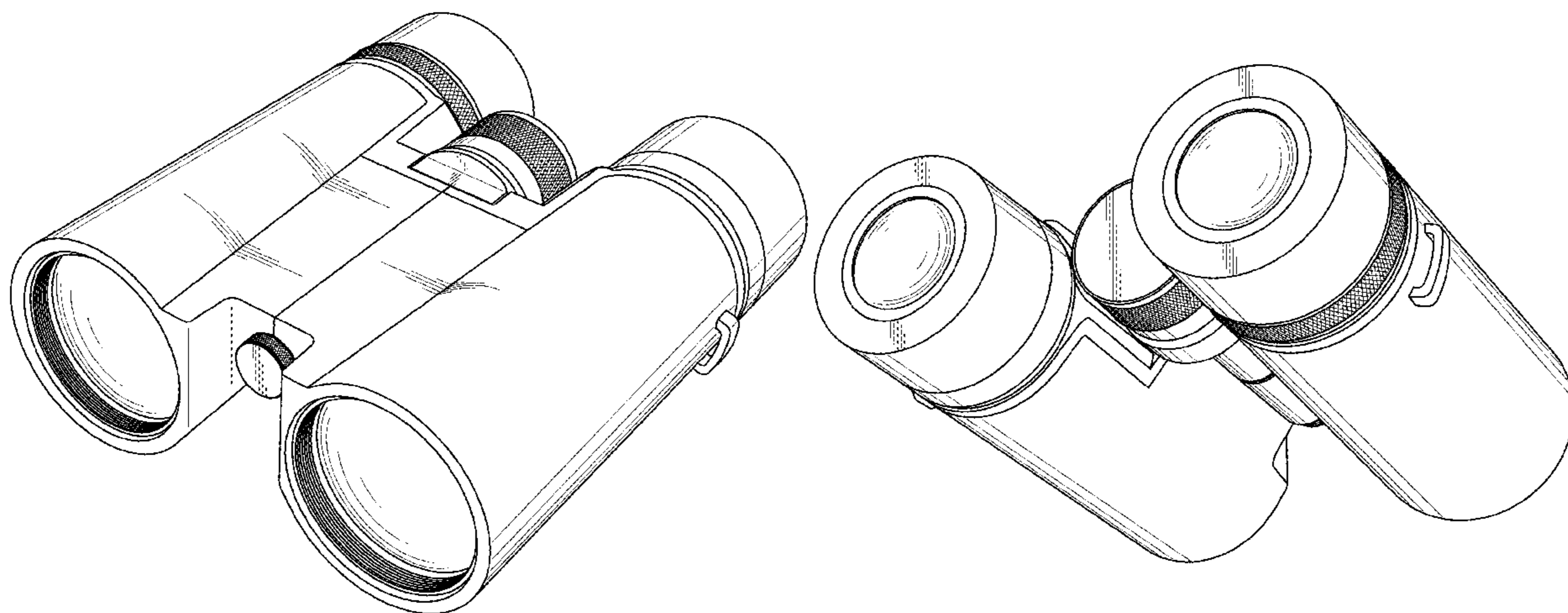
(57) **CLAIM**

The ornamental design for binoculars, as shown and described.

DESCRIPTION

FIG. 1 is a perspective view from upper and front side of binoculars, showing our new design;
FIG. 2 is a perspective view from upper, front and right side thereof;
FIG. 3 is a perspective view from lower, rear and left side thereof;
FIG. 4 is a front view thereof;
FIG. 5 is a rear view thereof;
FIG. 6 is a top plan view thereof;
FIG. 7 is a bottom plan view thereof;
FIG. 8 is a right side view thereof; and,
FIG. 9 is a left side view thereof.

1 Claim, 7 Drawing Sheets



(56)

References Cited

OTHER PUBLICATIONS

Motor Boating and Sailing, No. 1, vol. 193, p. 24, (Japan Patent Office, Design Division Official Gazette No. HB15017129).

Optical products catalog Sports & Outdoor Optics, p. 16, (Japan Patent Office, Design Division Official Gazette No. HC30012061).

“Special Tool for saving and protecting Japan” Total catalog, p. 63, (Japan Patent Office, Design Division Official Gazette No. HC24002709).

Carl Zeiss AG, there is published achievement on website, (Japan Patent Office, Design Division Official Gazette No. HJ25039104).

Japan Design Net Kabushiki Kaisha TmG, there is published achievement on website, (Japan Patent Office, Design Division Official Gazette No. HJ21049433).

* cited by examiner

FIG. 1

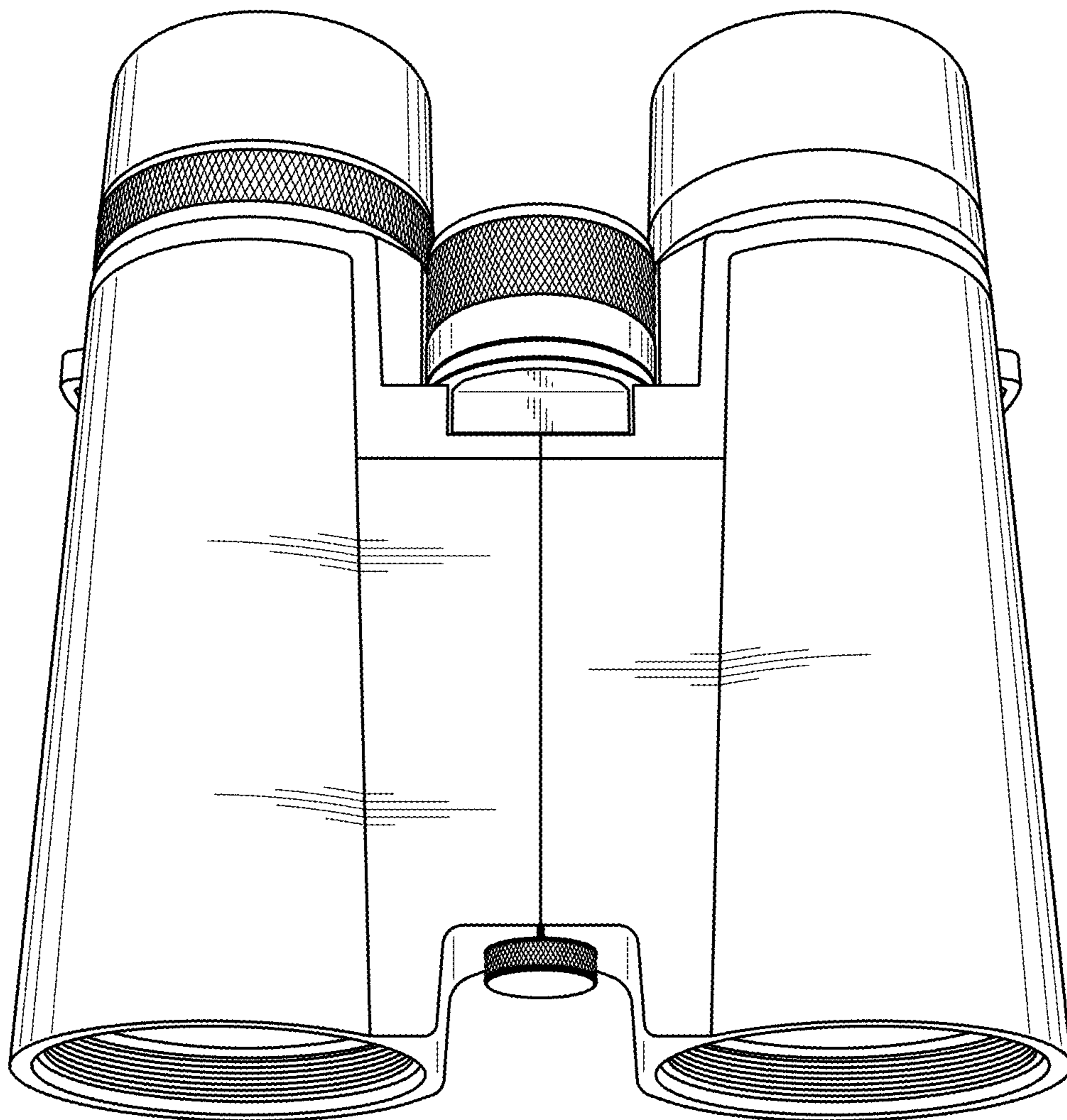


FIG. 2

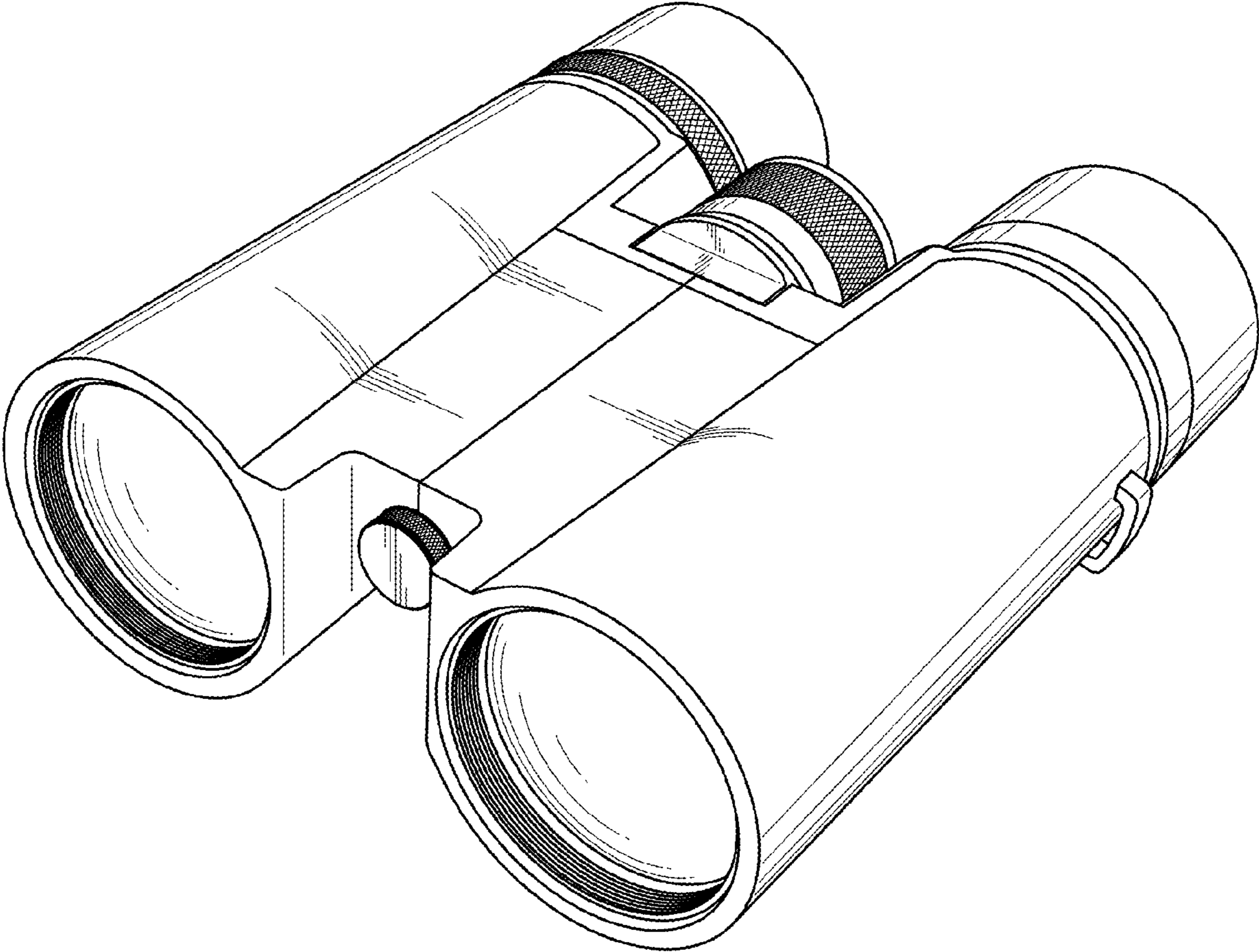


FIG. 3

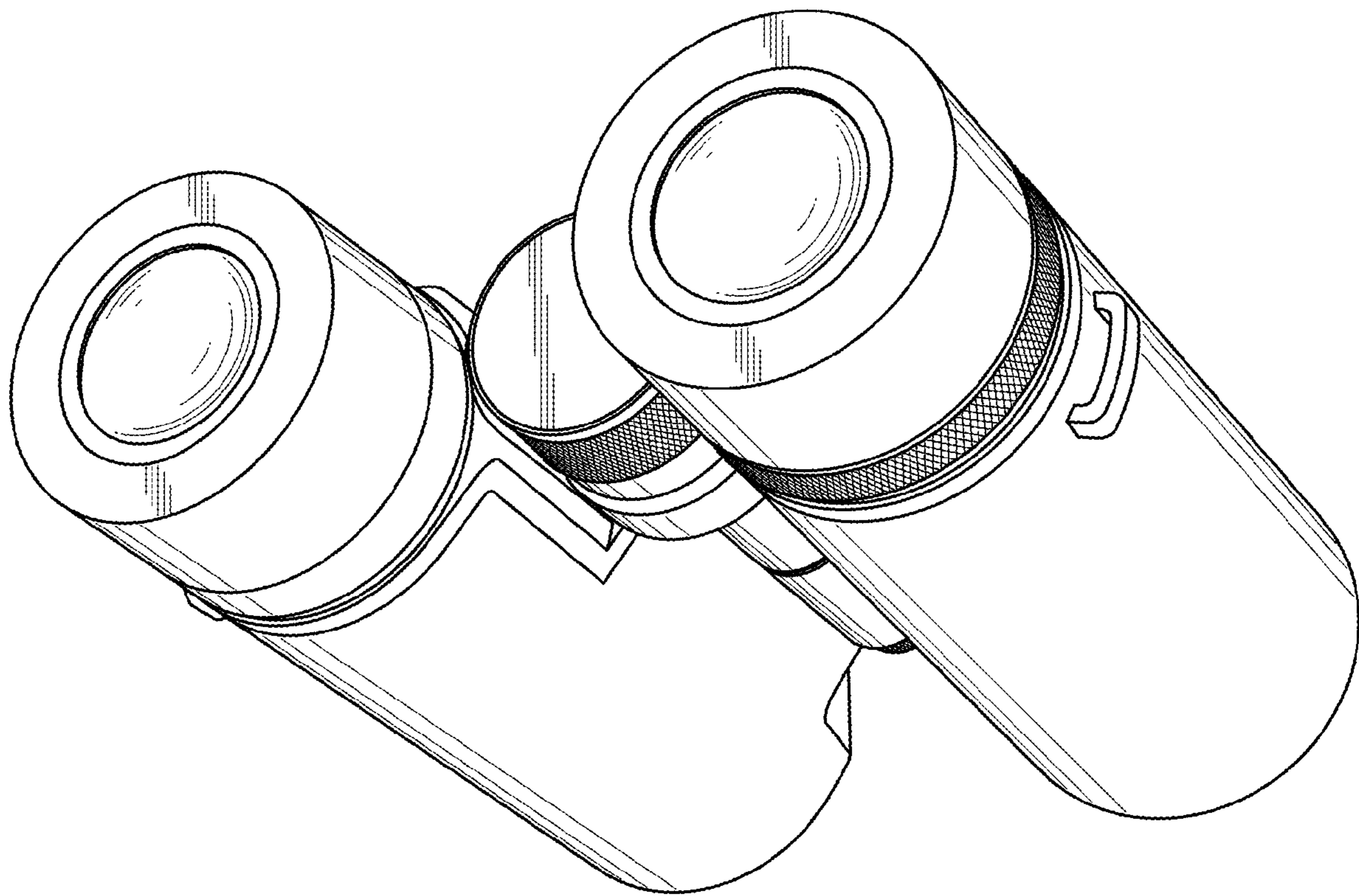


FIG. 4

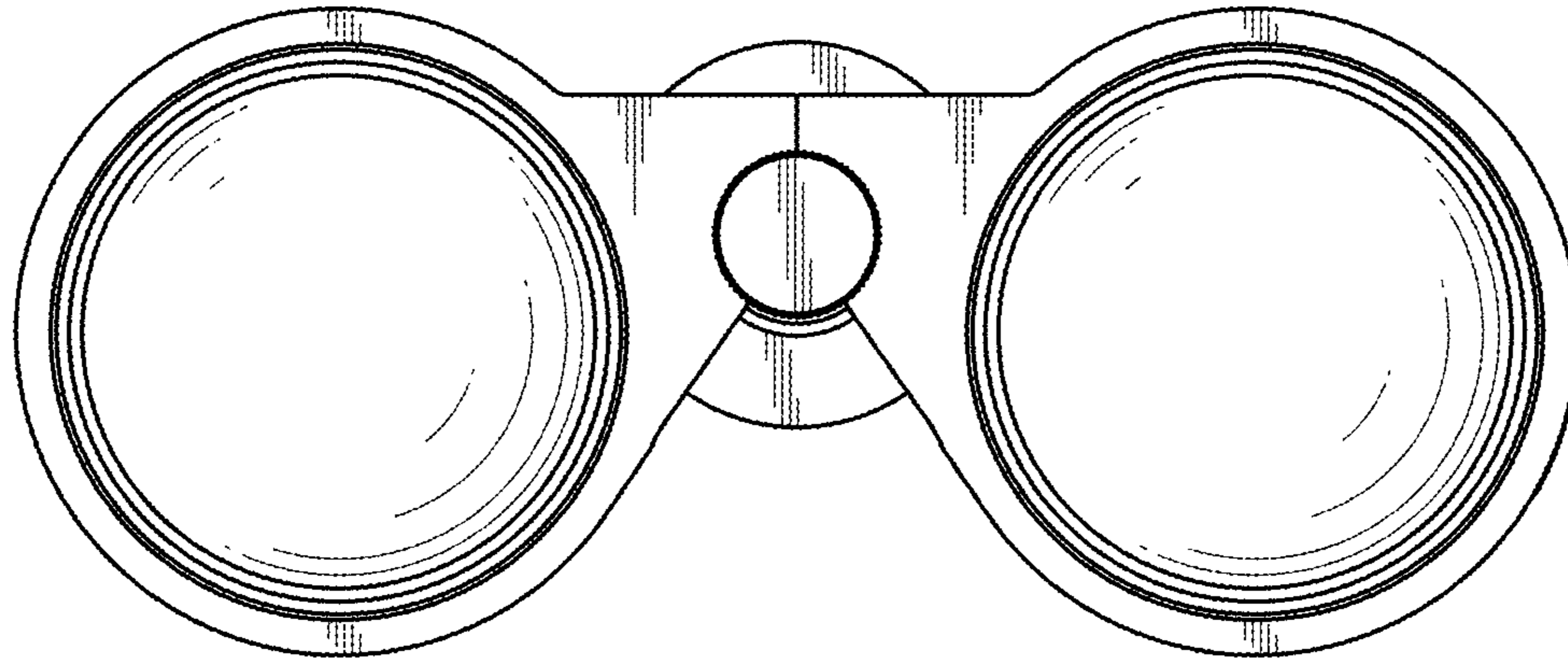


FIG. 5

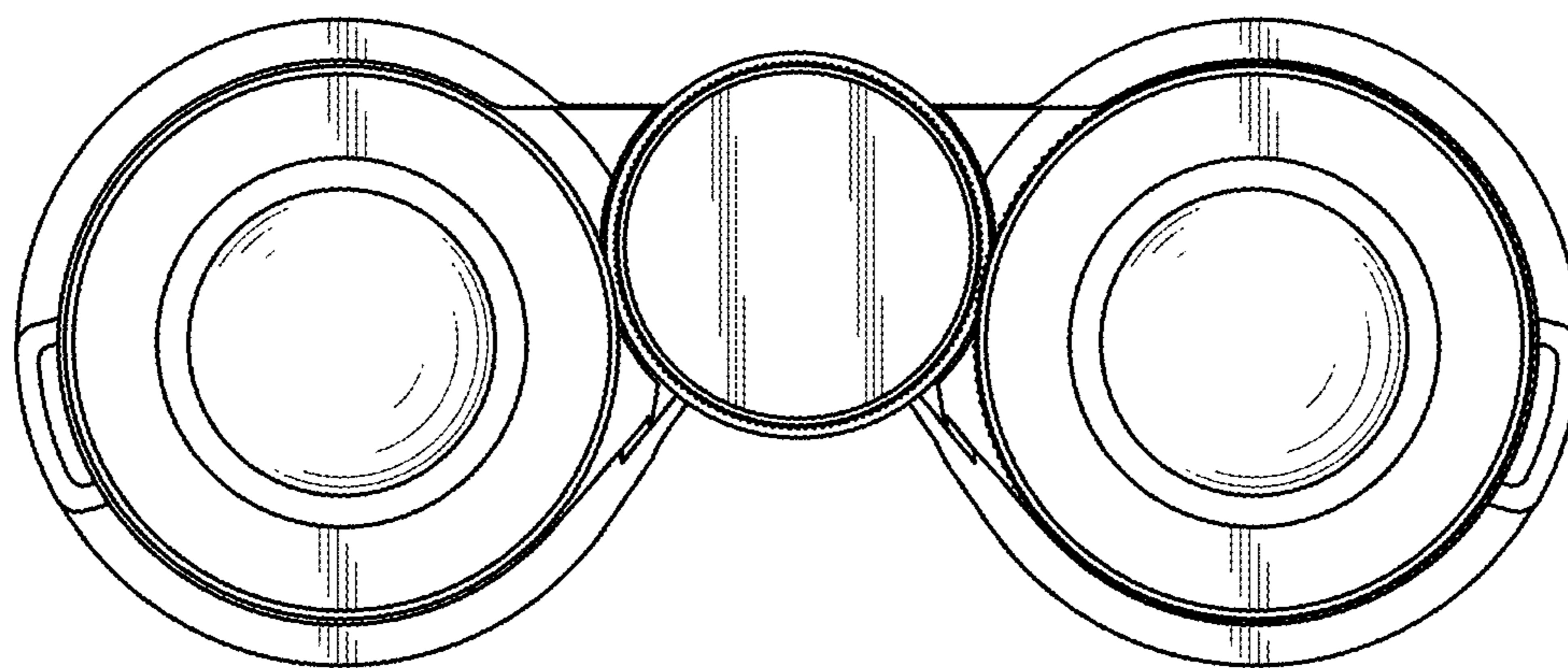


FIG. 6

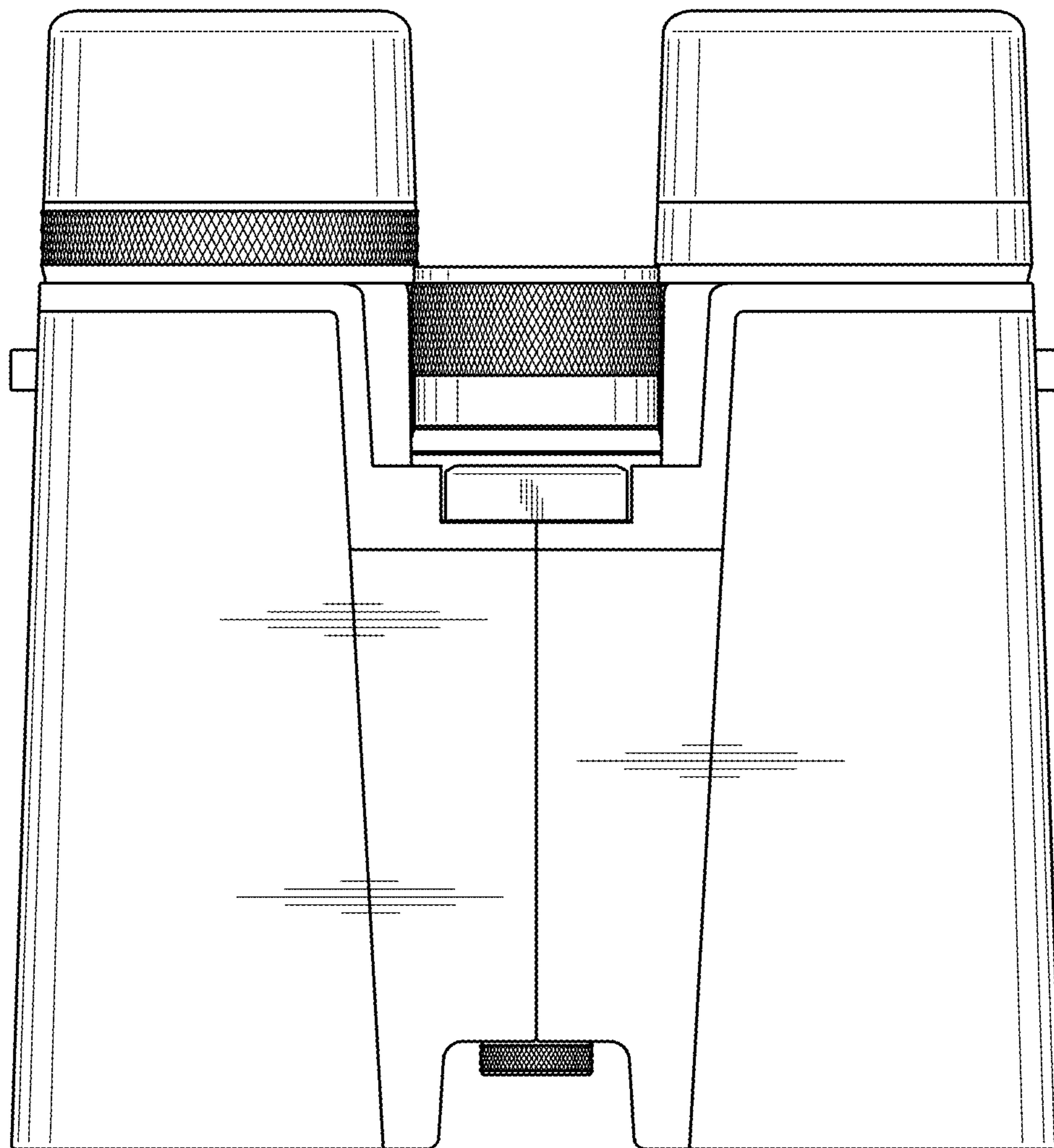


FIG. 7

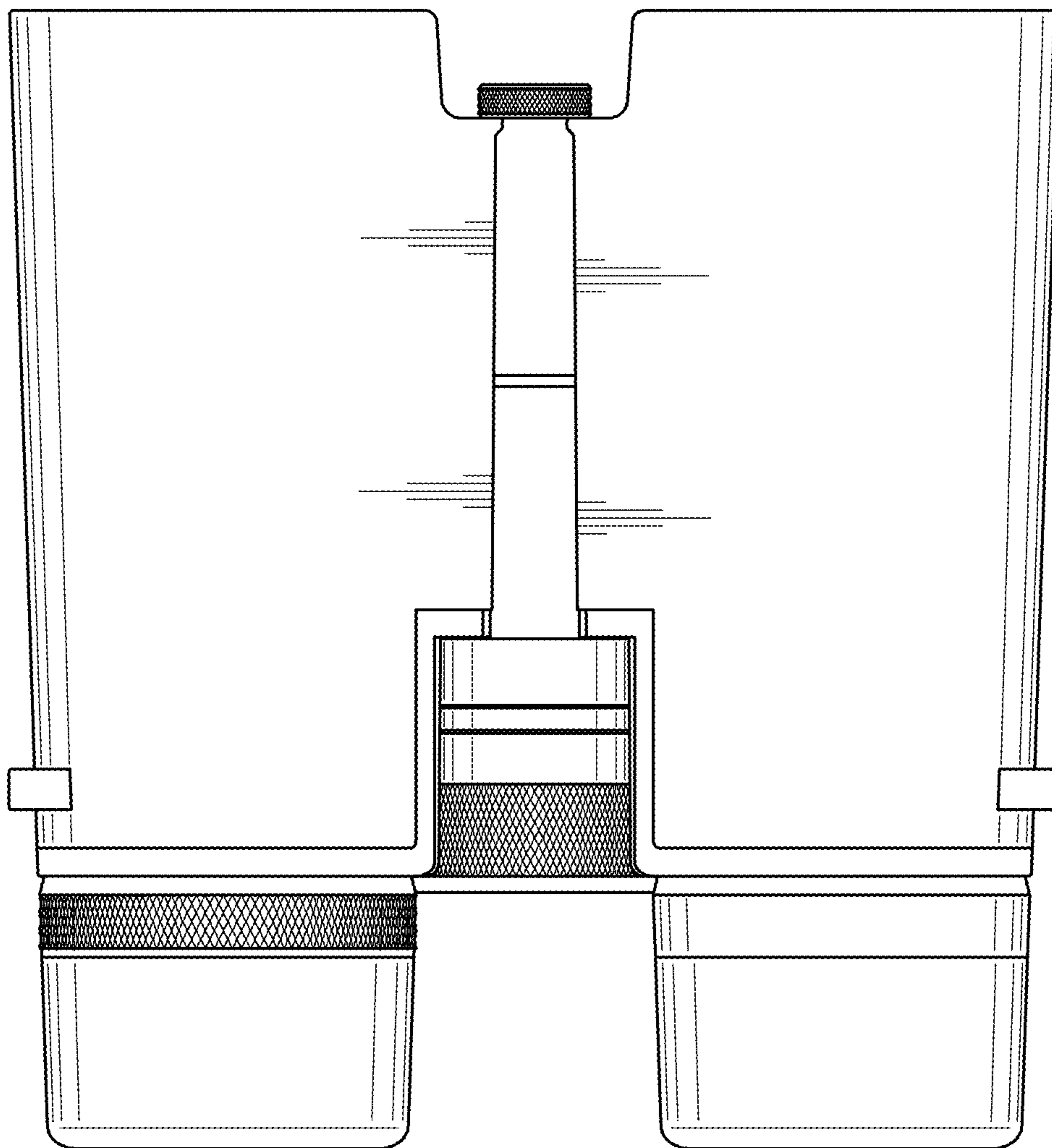


FIG. 8

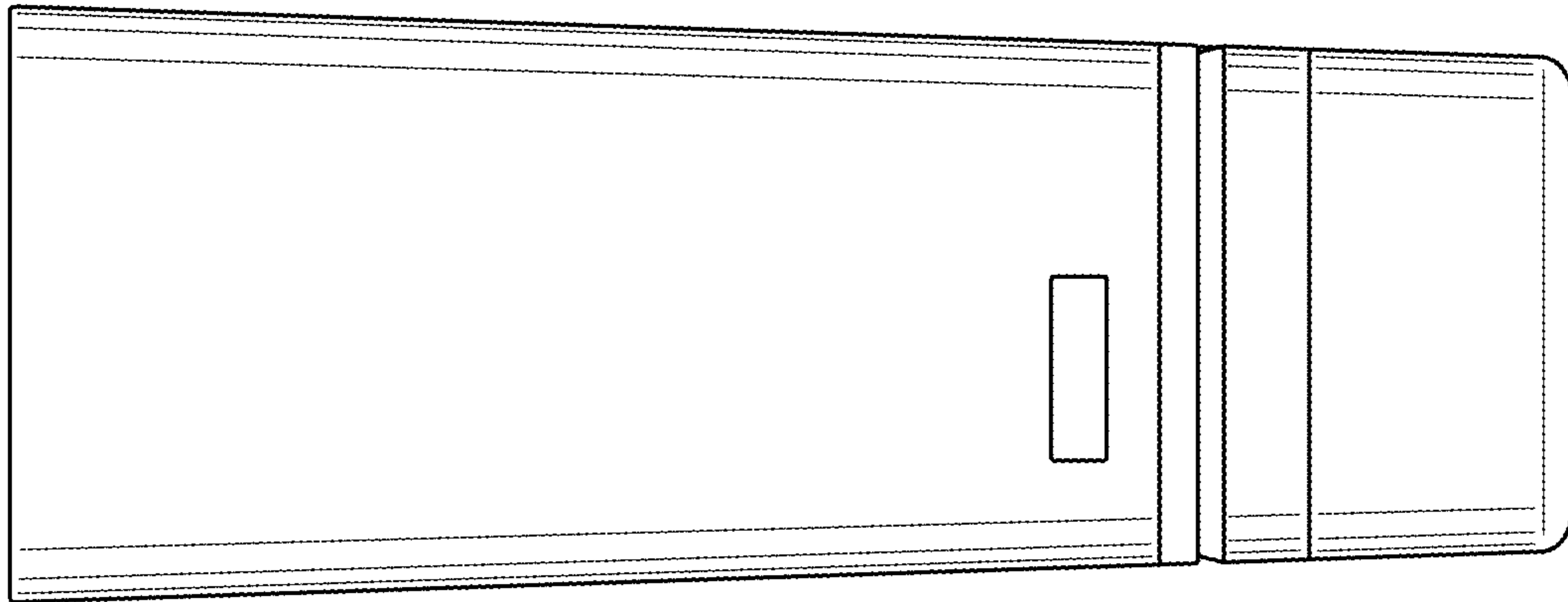


FIG. 9

