



US00D958216S

(12) **United States Design Patent**  
**Chen**

(10) **Patent No.:** **US D958,216 S**

(45) **Date of Patent:** **\*\* Jul. 19, 2022**

- (54) **NIGHT VISION GOGGLES**
- (71) Applicant: **Gaodi Digital (Qingdao) Co., Ltd.**,  
Qingdao (CN)
- (72) Inventor: **Zhujun Chen**, Qingdao (CN)
- (73) Assignee: **Gaodi Digital (Qingdao) Co., Ltd.**,  
Qingdao (CN)

|                |         |                 |                       |
|----------------|---------|-----------------|-----------------------|
| D288,936 S *   | 3/1987  | Feinbloom ..... | D16/132               |
| D380,222 S *   | 6/1997  | Bryant .....    | D16/132               |
| D413,130 S *   | 8/1999  | Bryant .....    | D16/132               |
| 6,971,754 B2 * | 12/2005 | Flora .....     | G02B 23/16<br>359/511 |
| D518,498 S     | 4/2006  | Reed et al.     |                       |
| D564,555 S *   | 3/2008  | Palmer .....    | D16/132               |
| D850,507 S     | 6/2019  | Sun             |                       |
| D870,174 S *   | 12/2019 | Ueno .....      | D16/132               |
| D903,735 S *   | 12/2020 | Chen .....      | D16/132               |
| D931,353 S *   | 9/2021  | Kuchler .....   | D16/132               |

- (\*\*) Term: **15 Years**
- (21) Appl. No.: **29/807,473**

\* cited by examiner

*Primary Examiner* — Holly E Thurman

- (22) Filed: **Sep. 13, 2021**

(57) **CLAIM**

The ornamental design for a night vision goggles, as shown and described.

(30) **Foreign Application Priority Data**

**DESCRIPTION**

Sep. 8, 2021 (EM) ..... 008676852-0001

- (51) **LOC (13) Cl.** ..... **16-06**

FIG. 1 is a perspective view of a night vision goggles showing my new design;

- (52) **U.S. Cl.**  
USPC ..... **D16/132**

FIG. 2 is another perspective view of the night vision goggles shown in FIG. 1;

- (58) **Field of Classification Search**  
USPC ..... D16/130–136  
CPC ..... G02B 23/16  
See application file for complete search history.

FIG. 3 is a front elevational view thereof;

FIG. 4 is a rear elevational view thereof;

FIG. 5 is a left side elevational view thereof;

FIG. 6 is a right side elevational view thereof;

FIG. 7 is a top plan view thereof; and,

FIG. 8 is a bottom plan view thereof.

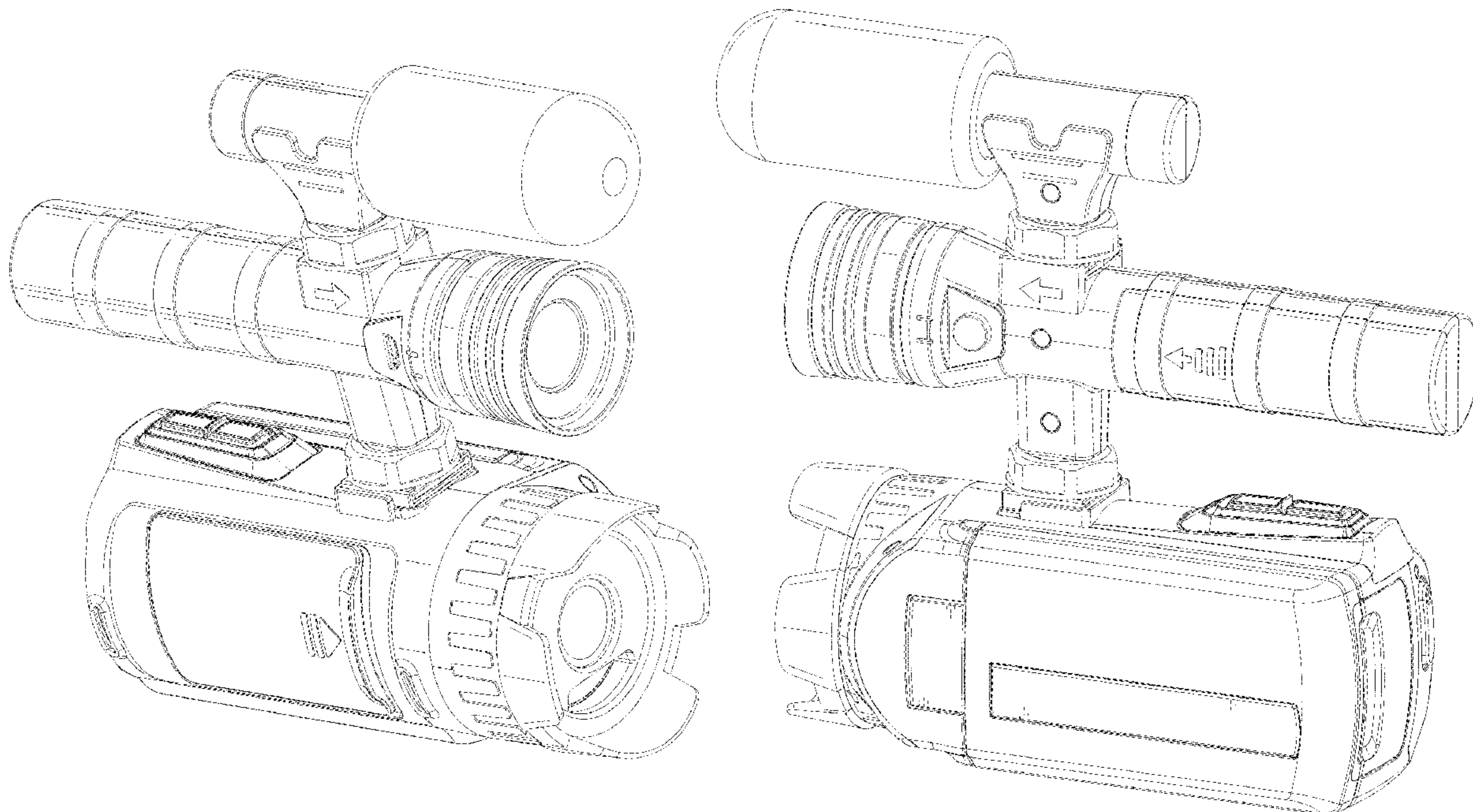
The broken lines in the drawings depict portions of the night vision goggles that form no part of the claimed design.

(56) **References Cited**

**U.S. PATENT DOCUMENTS**

|              |         |                  |         |
|--------------|---------|------------------|---------|
| D248,860 S * | 8/1978  | Spranger .....   | D16/132 |
| D287,252 S * | 12/1986 | Huckenbeck ..... | D16/132 |

**1 Claim, 8 Drawing Sheets**



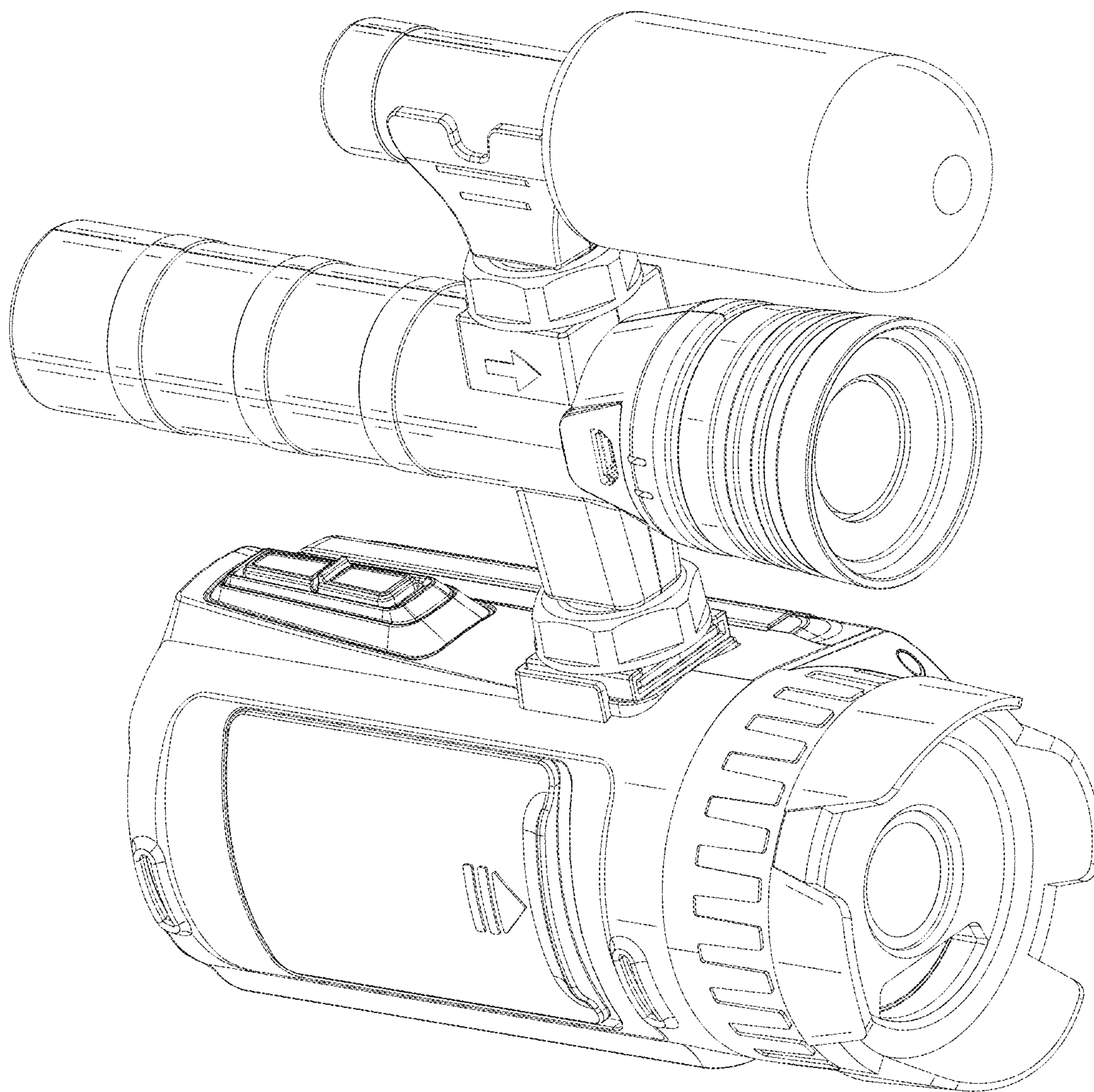


FIG. 1



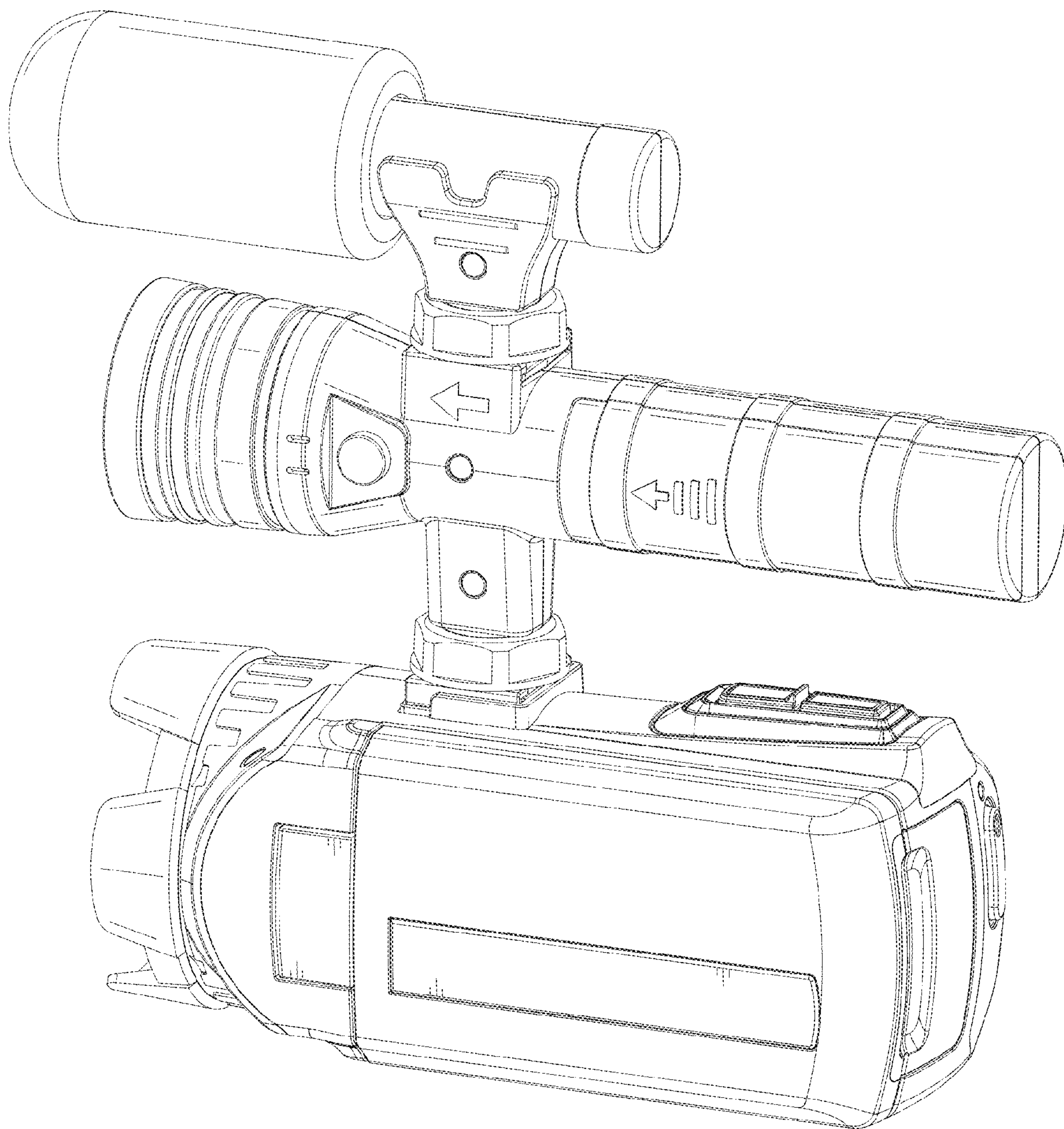


FIG. 2

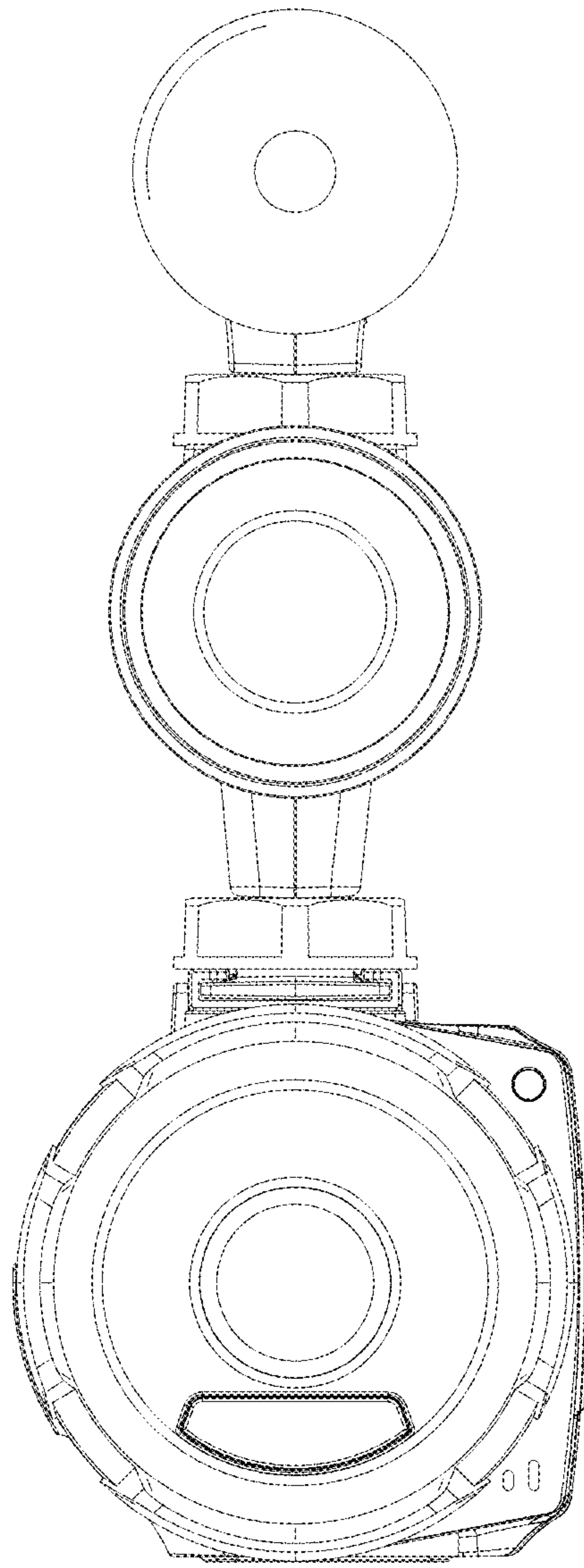


FIG. 3

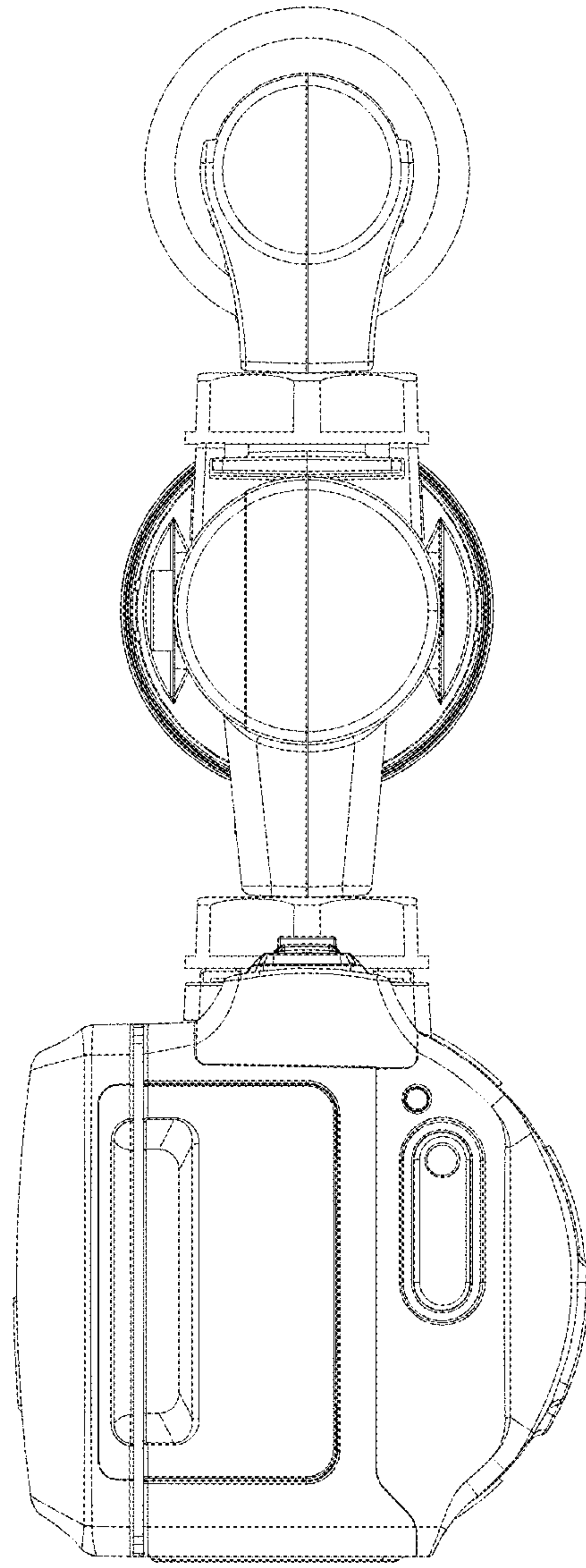


FIG. 4

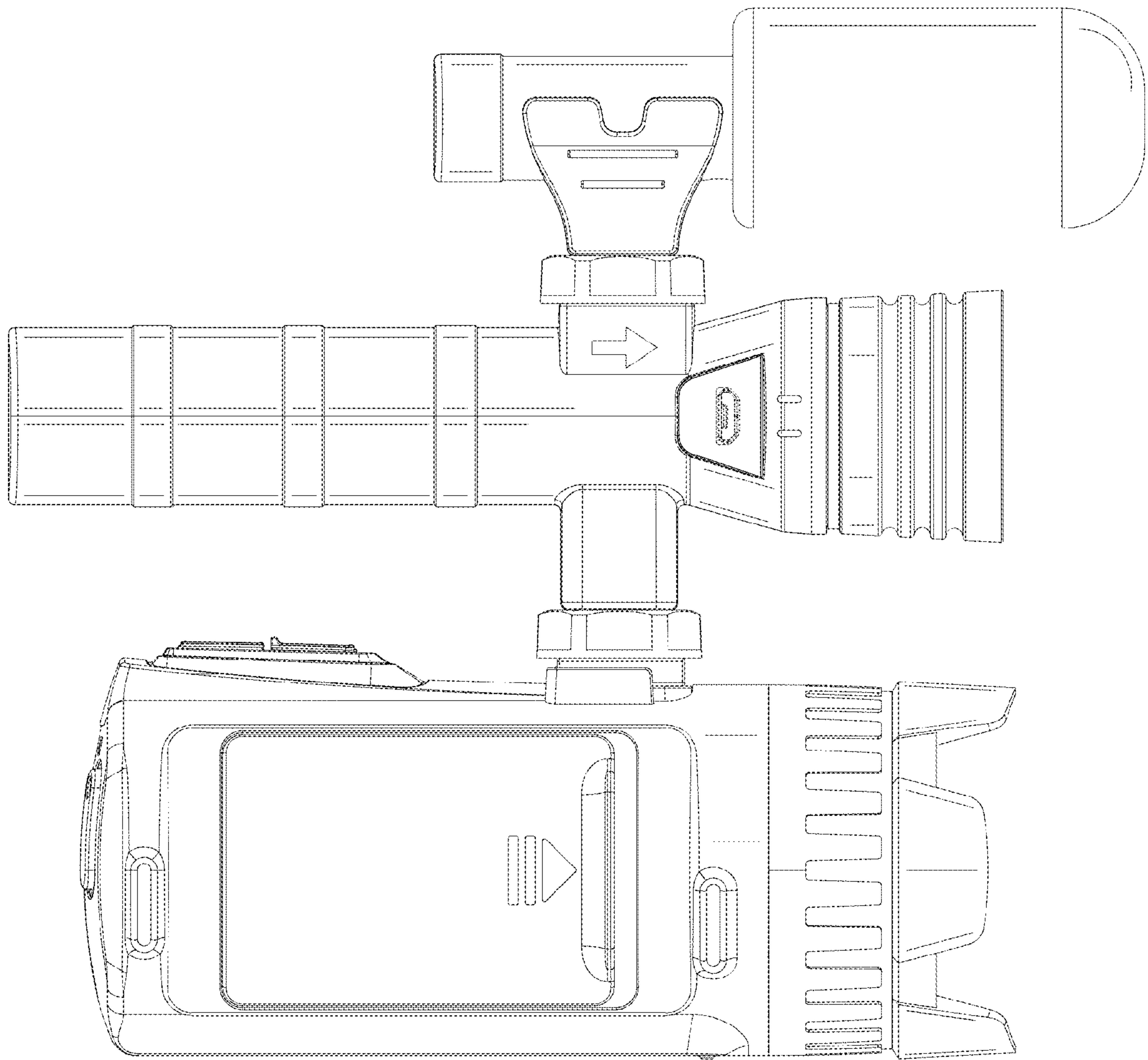


FIG. 5



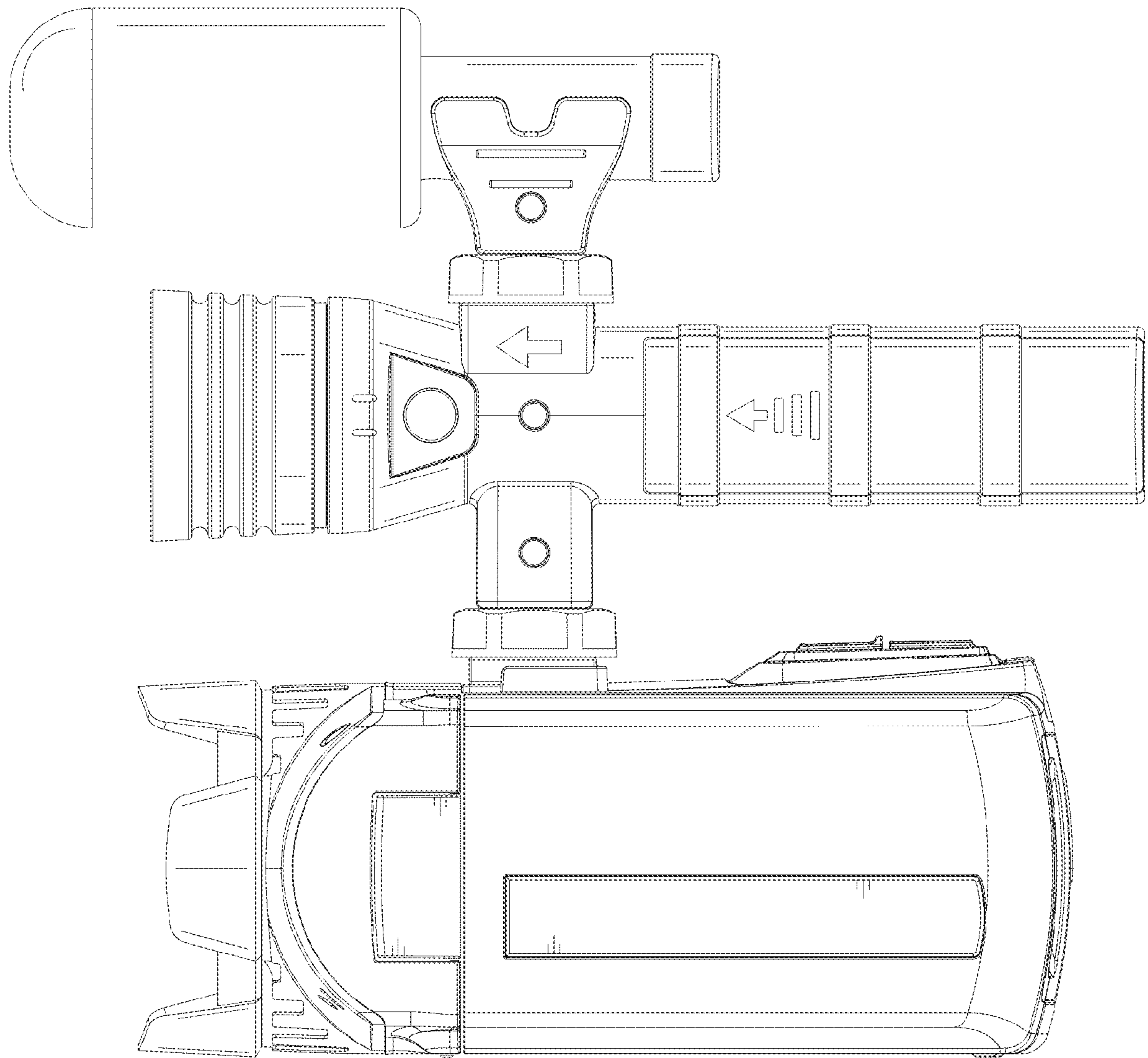


FIG. 6

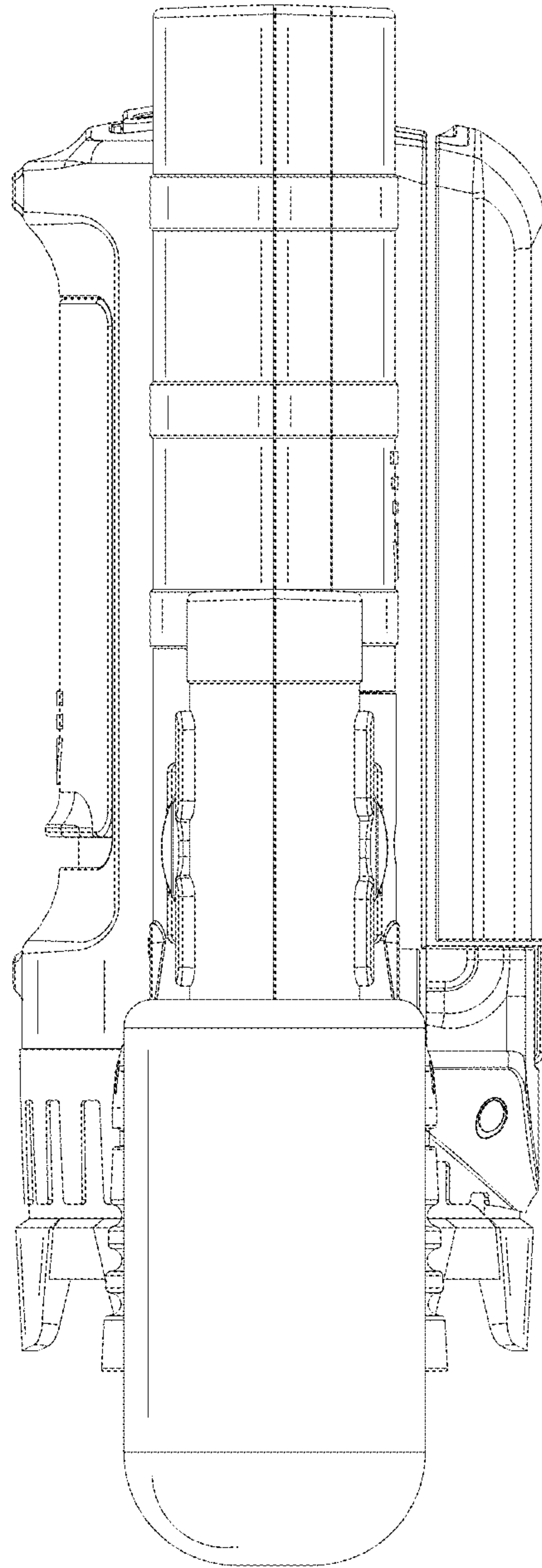


FIG. 7



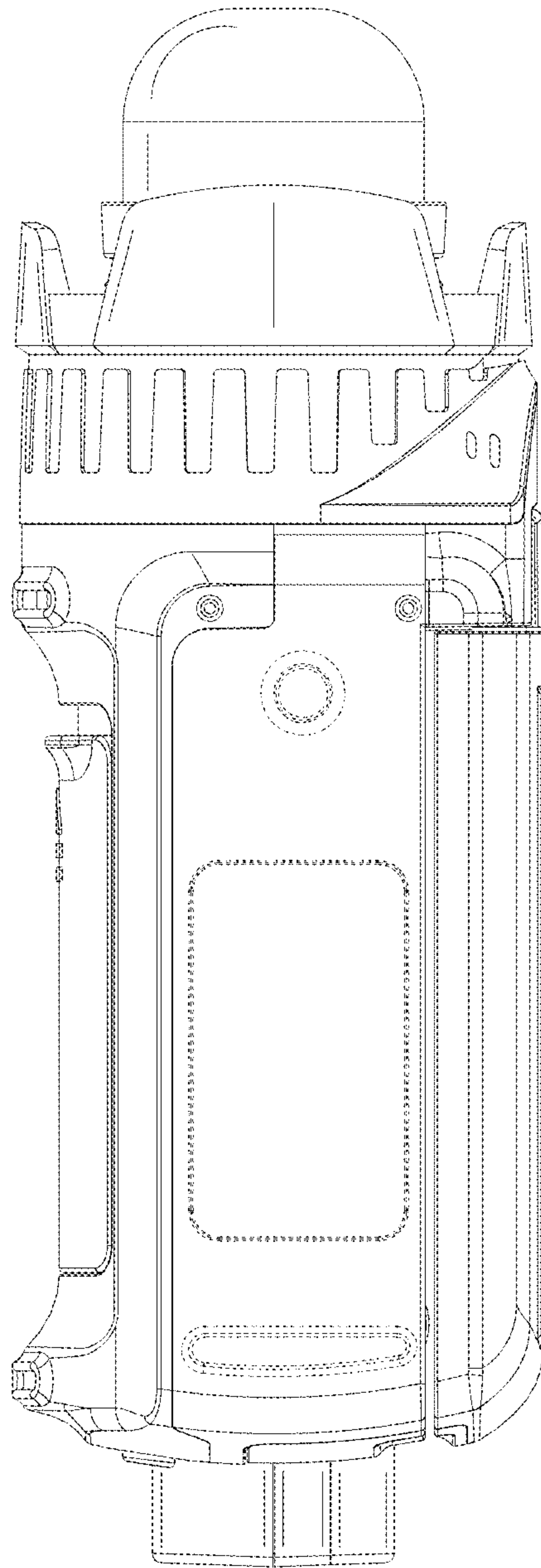


FIG. 8