



US00D958213S

(12) **United States Design Patent**
Klassen et al.

(10) **Patent No.:** **US D958,213 S**

(45) **Date of Patent:** **** Jul. 19, 2022**

(54) **ACTUATOR**

(71) Applicants: **Genesis Robotics and Motion Technologies, LP**, Wichita, KS (US);
Genesis Advanced Technology Inc., Surrey (CA)

(72) Inventors: **James Brent Klassen**, Surrey (CA);
Nathan Armstrong, Calgary (CA)

(73) Assignees: **GENESIS ADVANCED TECHNOLOGY INC.**, Surrey (CA);
GENESIS ROBOTICS AND MOTION TECHNOLOGIES, LP, Wichita, KS (US)

(**) Term: **15 Years**

(21) Appl. No.: **29/766,300**

(22) Filed: **Jan. 14, 2021**

(51) **LOC (13) Cl.** **15-09**

(52) **U.S. Cl.**
USPC **D15/148**

(58) **Field of Classification Search**
USPC D12/345; D13/118, 158, 162, 184;
D15/1-5, 7, 9, 143, 148, 149, 199
CPC B66F 3/18; F16H 19/04; F16H 19/039;
H01F 7/066
See application file for complete search history.

(56) **References Cited**

U.S. PATENT DOCUMENTS

2,404,377	A	7/1946	Herbst	
3,410,148	A	11/1968	George	
4,903,536	A	2/1990	Salisbury, Jr.	
D585,843	S *	2/2009	Sakaguchi	D13/158
D638,454	S *	5/2011	Torii	D15/143
D639,321	S *	6/2011	Torii	D15/143
D673,196	S *	12/2012	von Hafen	D15/148
D709,933	S *	7/2014	Wu	D15/199

8,910,781	B2 *	12/2014	Pipes	B65B 7/28 220/780
D727,724	S *	4/2015	Pipes	A24F 23/00 D9/438
D740,867	S *	10/2015	Barta	D15/148
D789,432	S *	6/2017	Tokuda	D15/148
D790,616	S *	6/2017	Tokuda	D15/148

(Continued)

FOREIGN PATENT DOCUMENTS

CA	2937988	2/2018
EP	0534008 A1	3/1993

(Continued)

OTHER PUBLICATIONS

International Search Report and Written Opinion for PCT Application No. PCT/IB2020/050330, dated Apr. 30, 2020, 14 pages.

(Continued)

Primary Examiner — Patricia A Palasik

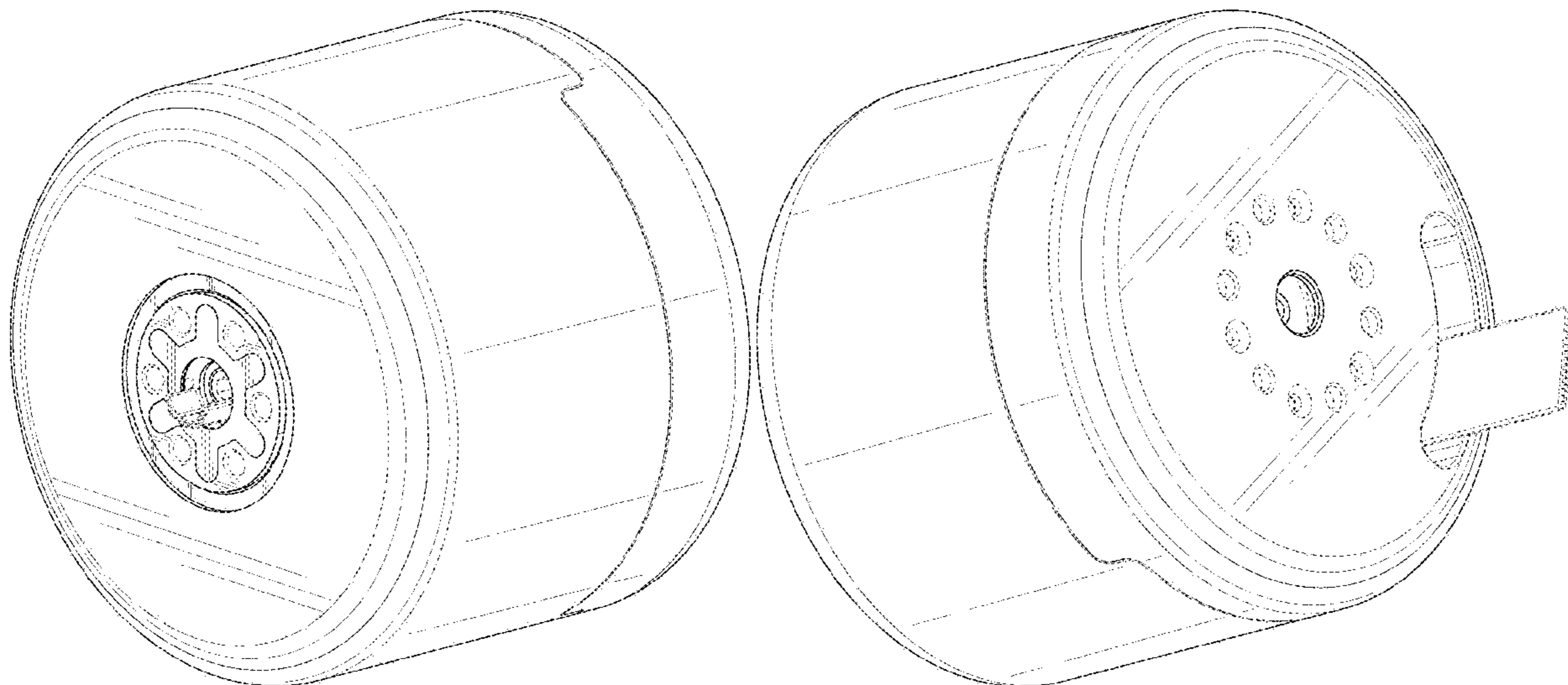
(57) **CLAIM**

The ornamental design for an actuator, as shown and described.

DESCRIPTION

FIG. 1 is a front, top, right perspective view of an actuator, showing the new design;
FIG. 2 is a rear, bottom, right perspective view thereof;
FIG. 3 is a front elevation view thereof;
FIG. 4 is a rear elevation view thereof;
FIG. 5 is a right side view thereof;
FIG. 6 is a left side view thereof;
FIG. 7 is a top plan view thereof; and,
FIG. 8 is a bottom plan view thereof.
The broken lines of even length shown in the drawings illustrate portions of the actuator that form no part of the claimed design.

1 Claim, 8 Drawing Sheets



(56)

References Cited

U.S. PATENT DOCUMENTS

D790,617	S *	6/2017	Tokuda	D15/148
D843,425	S *	3/2019	Higbie	D15/148
D851,146	S *	6/2019	Thoni	D15/148
D852,247	S *	6/2019	Taylor	D15/148
D881,007	S *	4/2020	Christianson	D9/448
D892,184	S *	8/2020	Thoni	D15/148
D908,624	S *	1/2021	Pope	D13/112
2009/0227412	A1	9/2009	Chang		
2010/0064885	A1*	3/2010	Werkhoven	F15B 15/12 91/405
2015/0167798	A1	6/2015	Gosselin		
2016/0368216	A1	12/2016	Chang et al.		

FOREIGN PATENT DOCUMENTS

GB	972199	A	10/1964
GB	2088987	A	6/1982
NO	2007052588	A1	5/2007
NO	2020127701	A1	6/2020
NO	2020148706	A1	7/2020
WO	2010127701	A1	11/2010
WO	2020148692	A1	7/2020
WO	2020148705	A1	7/2020

OTHER PUBLICATIONS

International Search Report and Written Opinion for PCT Application No. PCT/IB2020/050353, dated Apr. 29, 2020, 13 pages.
 International Search Report and Written Opinion for PCT Application No. PCT/IB2020/050354, dated May 4, 2020, 14 pages.

* cited by examiner

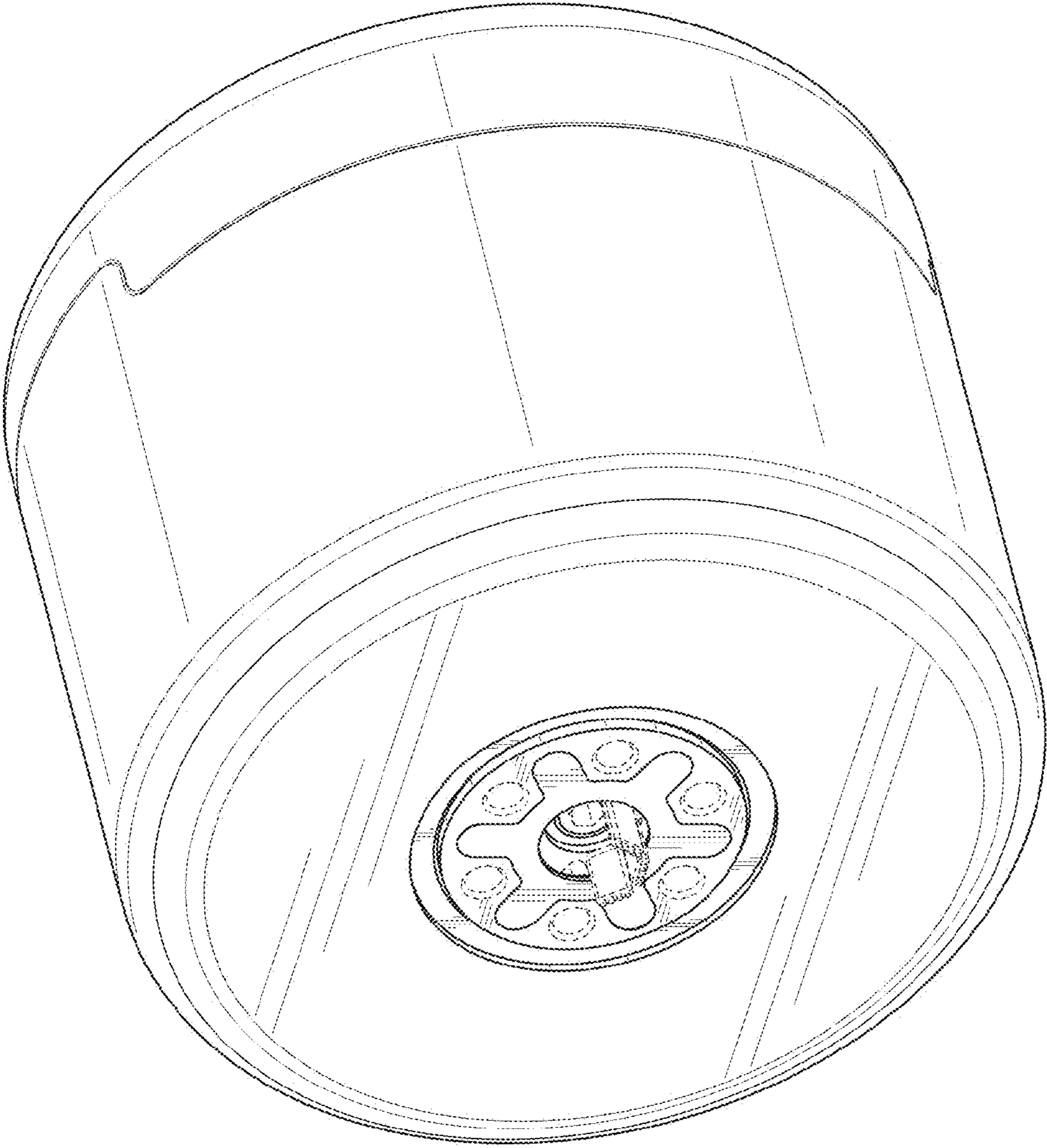


FIG. 1

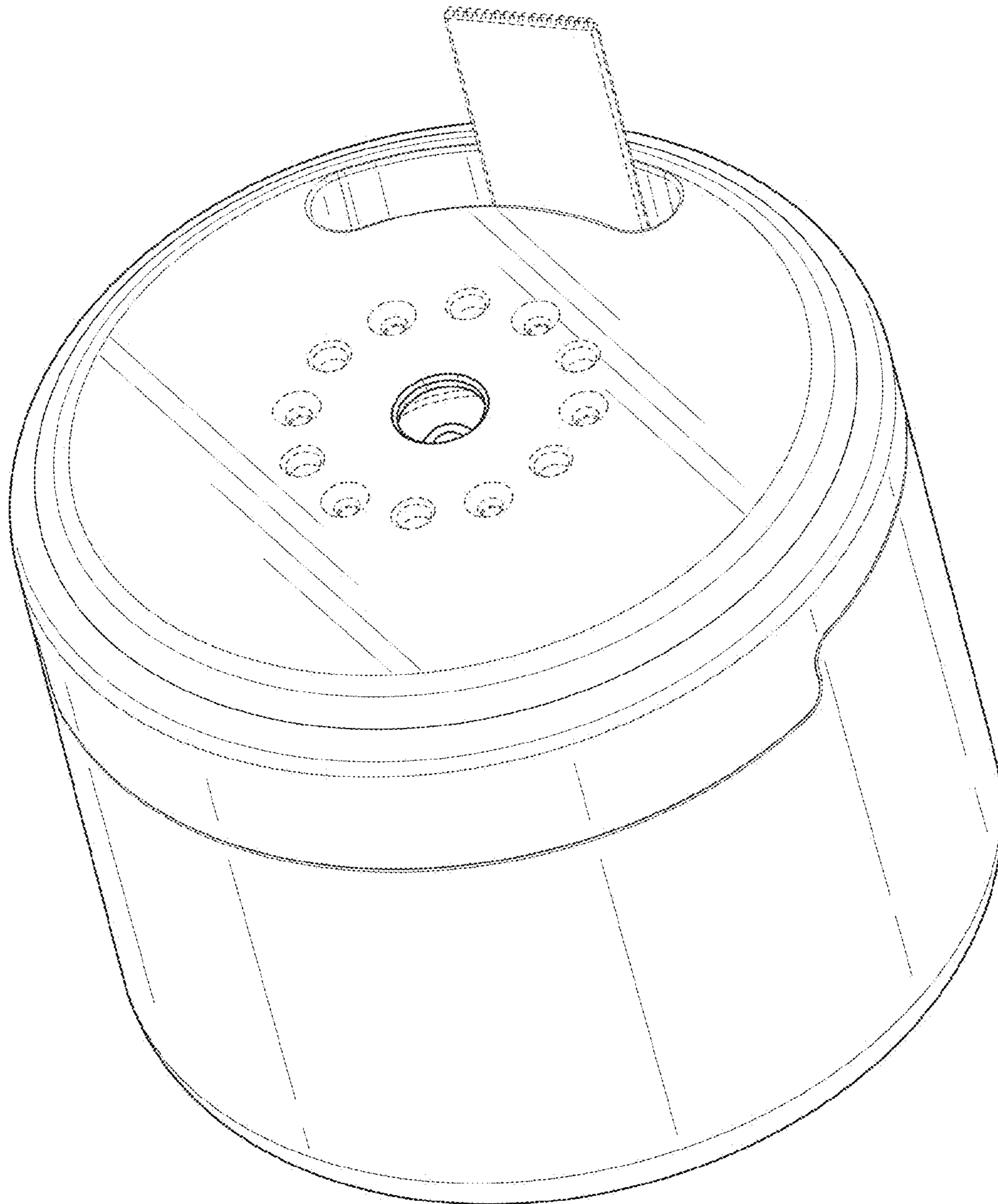


FIG. 2

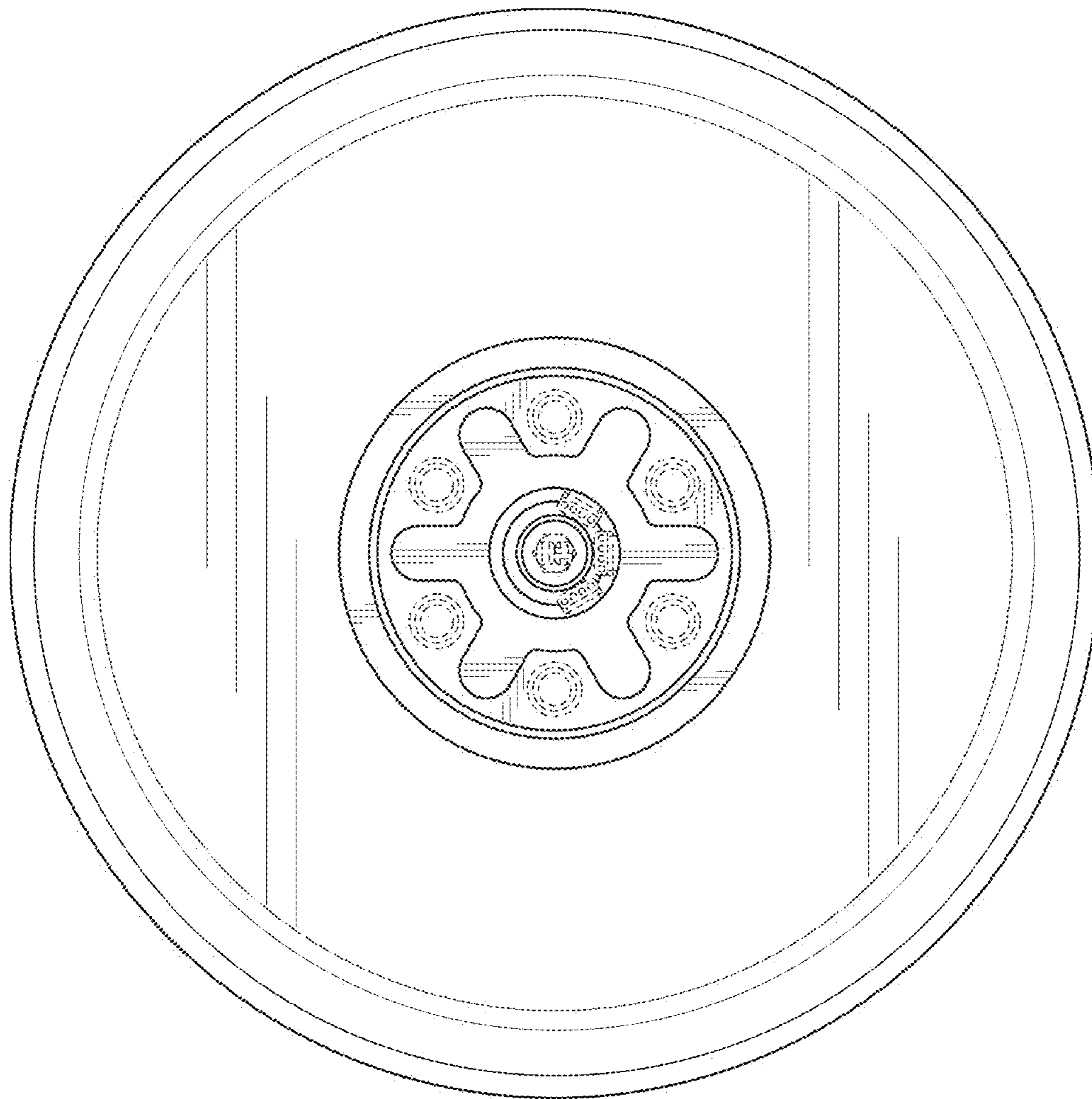


FIG. 3

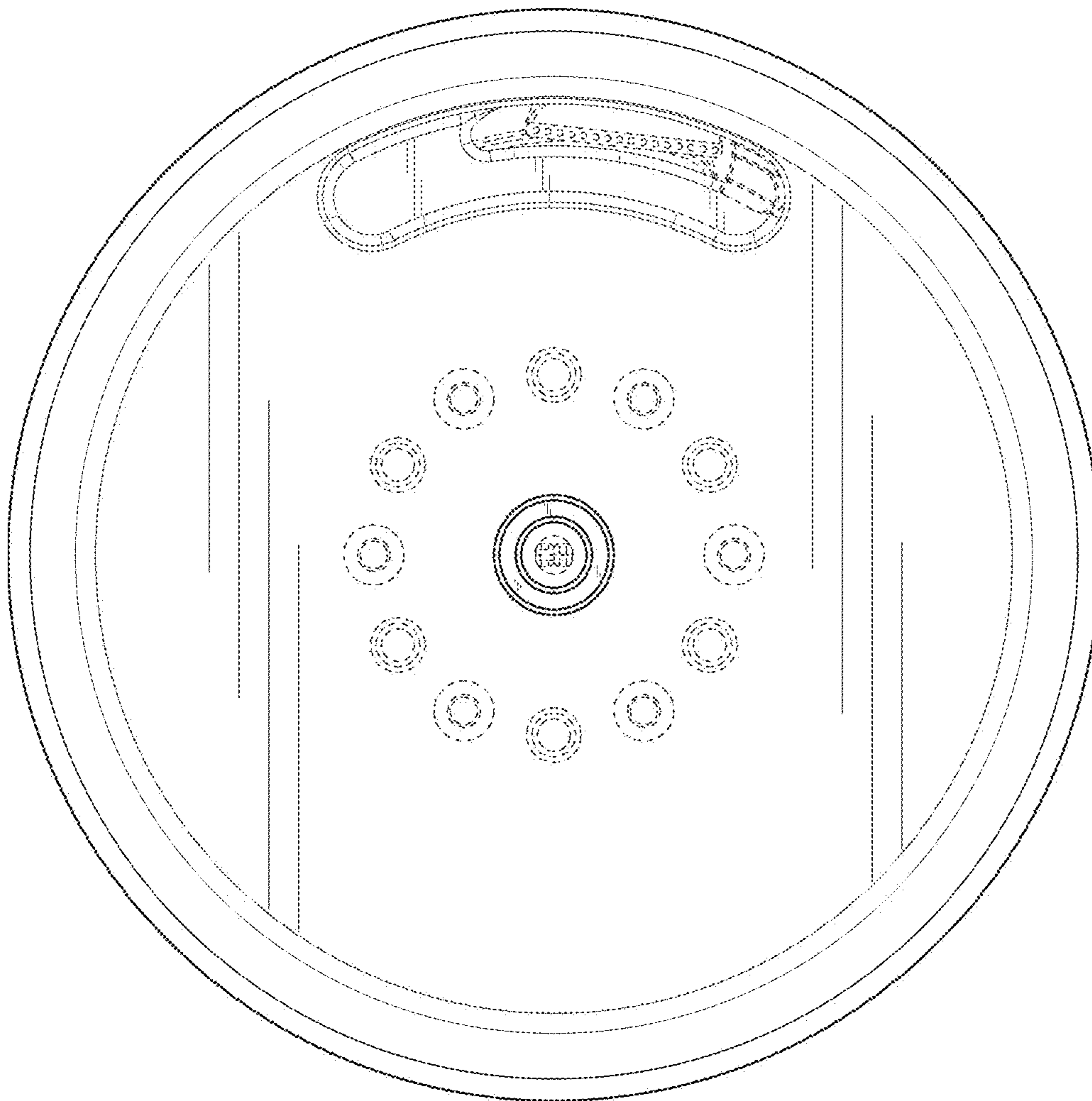


FIG. 4

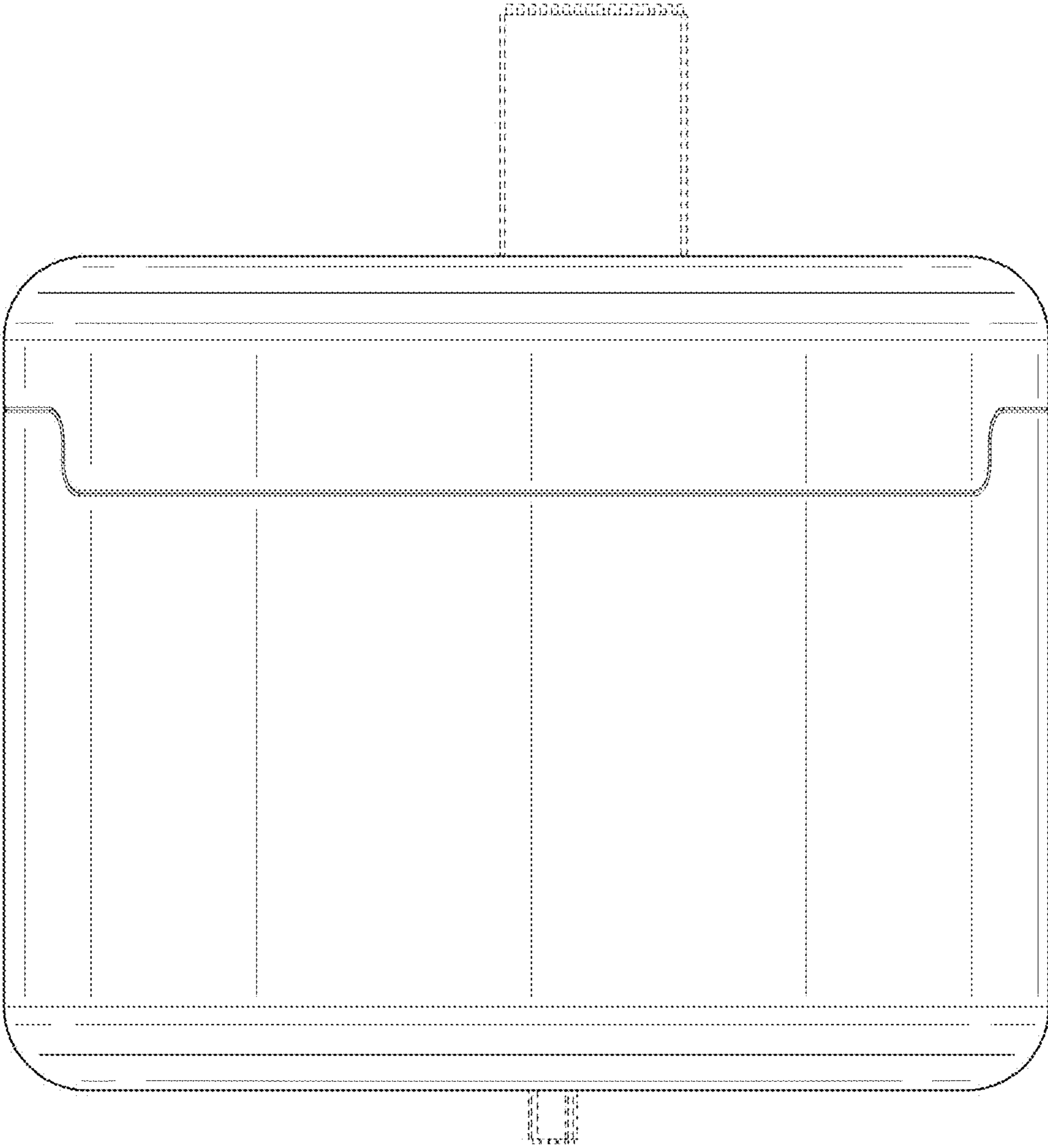


FIG. 5

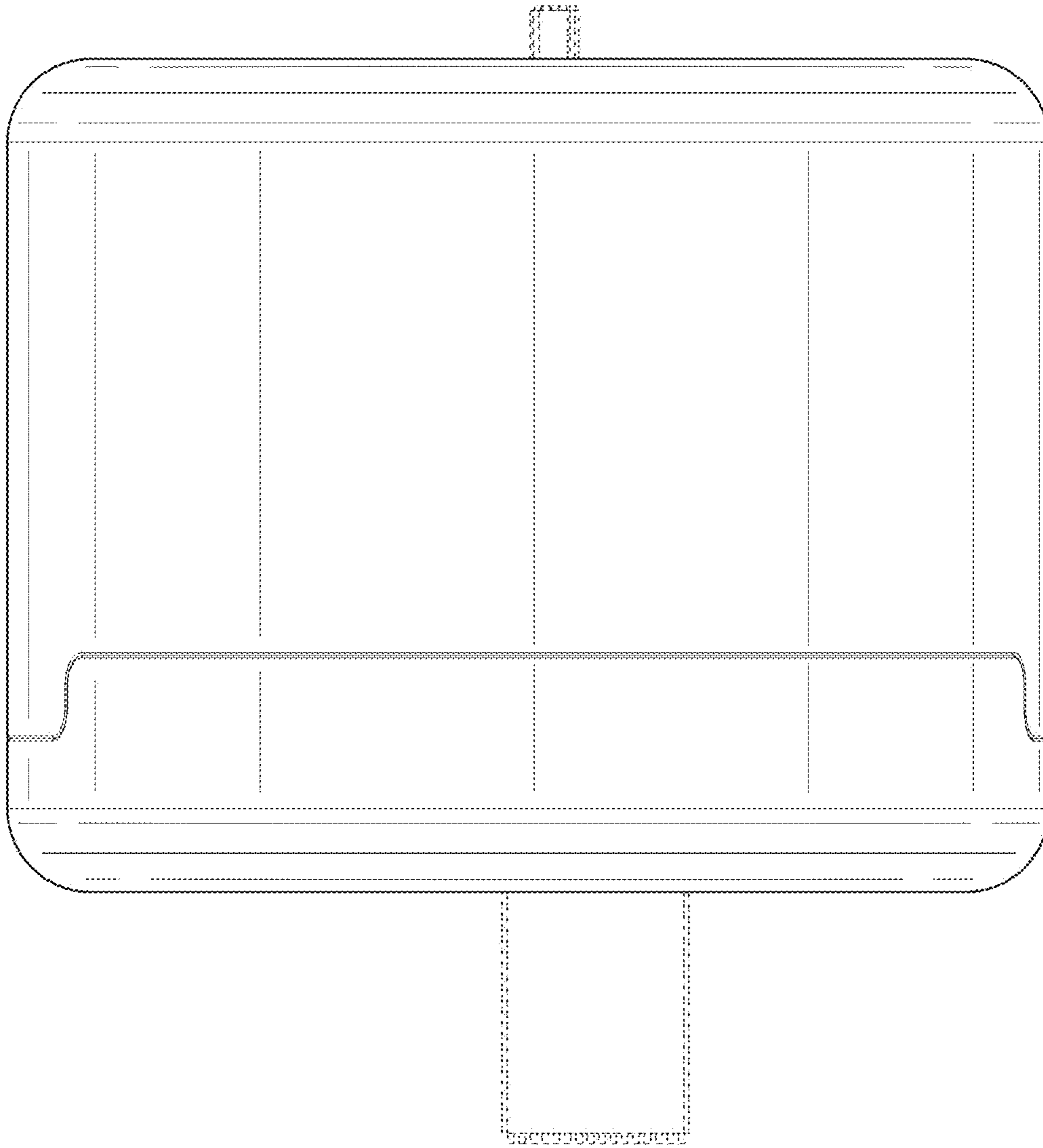


FIG. 6

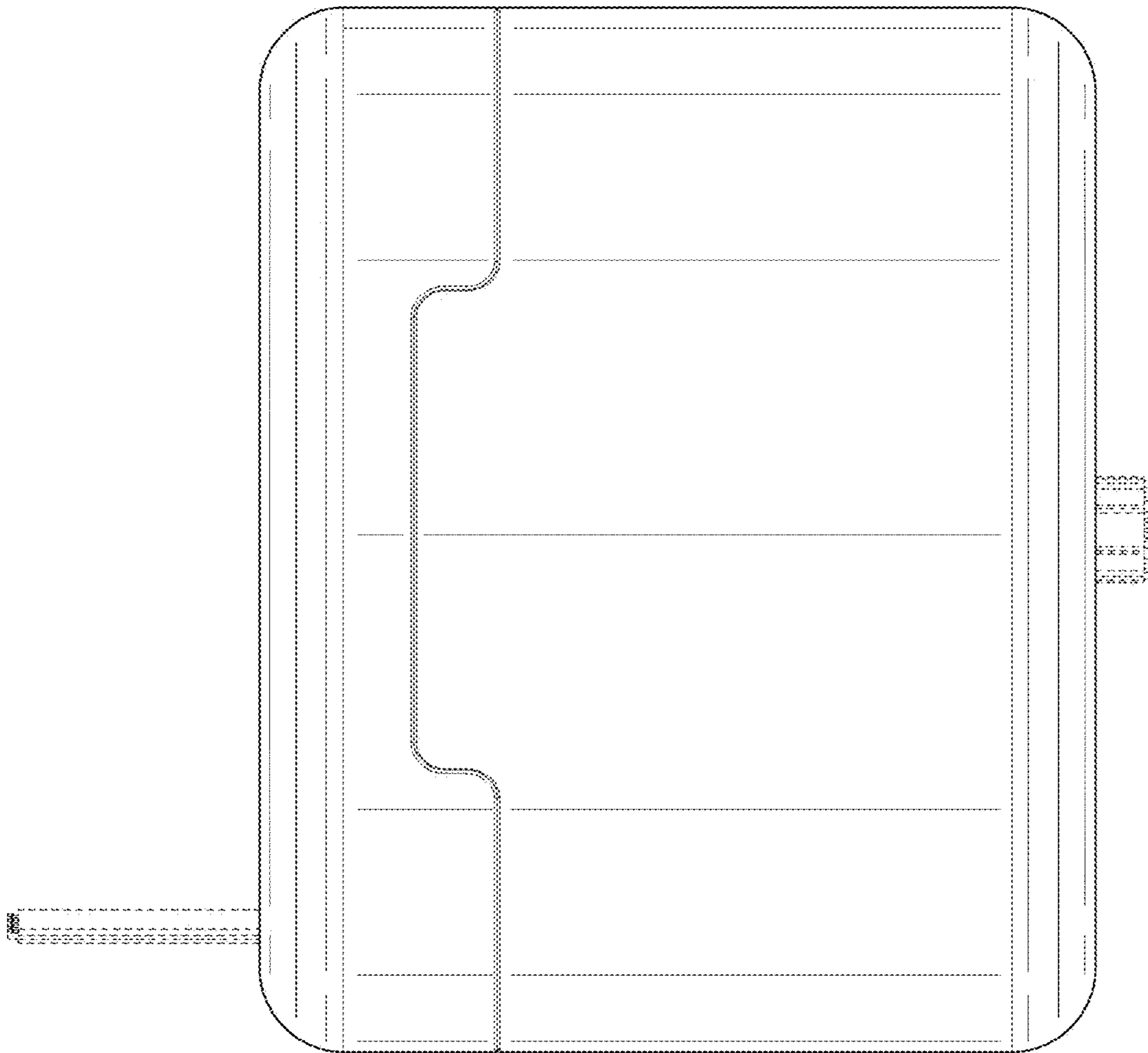


FIG. 7

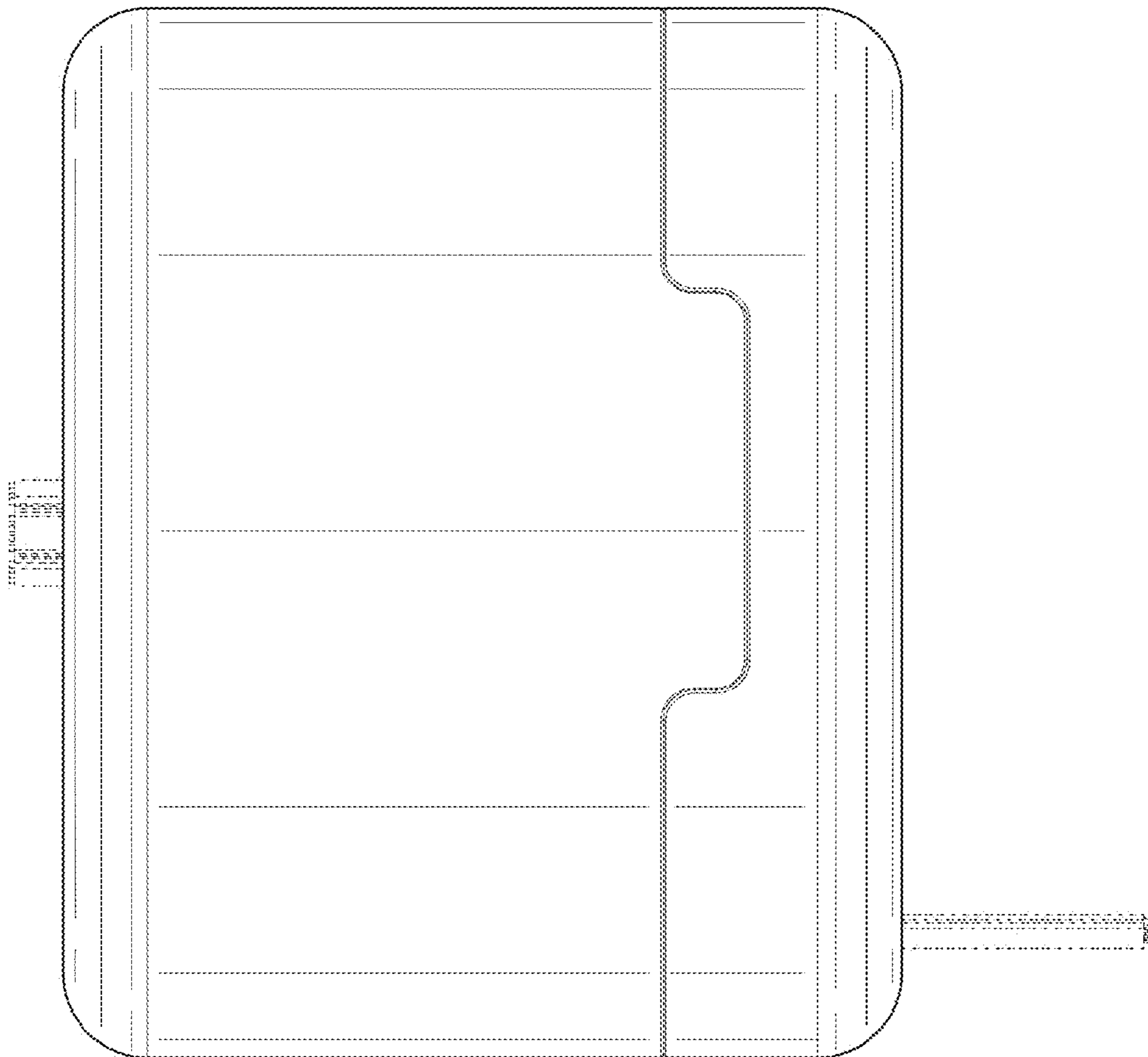


FIG. 8