



US00D958212S

(12) **United States Design Patent**
Wu

(10) **Patent No.:** **US D958,212 S**
(45) **Date of Patent:** **** Jul. 19, 2022**

- (54) **TORCH**
- (71) Applicant: **Liangzhuan Wu**, Jieyang (CN)
- (72) Inventor: **Liangzhuan Wu**, Jieyang (CN)
- (**) Term: **15 Years**
- (21) Appl. No.: **29/800,727**
- (22) Filed: **Jul. 23, 2021**
- (51) **LOC (13) Cl.** **15-09**
- (52) **U.S. Cl.**
USPC **D15/144**; D8/29.1
- (58) **Field of Classification Search**
USPC D8/29.1, 29.2, 30; D27/139, 141;
D15/144
CPC F23D 14/10; F23D 14/00; F23D 14/04;
F23D 14/02; F23D 14/28; F23D 14/38;
F23Q 2/00; F23Q 2/02; F23Q 2/16
See application file for complete search history.

(56) **References Cited**

U.S. PATENT DOCUMENTS

D242,688 S	*	12/1976	McCue	D8/30
D555,446 S	*	11/2007	Picaza Ibarrodo	D8/30
D820,331 S		6/2018	Walters et al.		
D868,857 S		12/2019	Wu		
D932,857 S	*	10/2021	Burke	F23D 14/28 D8/30
D937,471 S	*	11/2021	Youngblood	F23D 14/465 D27/141

D952,715 S	*	5/2022	Jia	F23D 14/465 D15/144
2008/0160471 A1	*	7/2008	Lin	F23D 14/465 431/344
2010/0261129 A1	*	10/2010	Lin	F23D 14/465 431/344
2014/0242529 A1	*	8/2014	Arnold, III	F23D 14/28 431/157
2015/0354813 A1	*	12/2015	Yang	F23D 14/28 431/364
2016/0018033 A1	*	1/2016	Kim	F23D 14/28 285/351
2020/0132298 A1	*	4/2020	Healey	F23D 14/38

* cited by examiner

Primary Examiner — Philip S Hyder

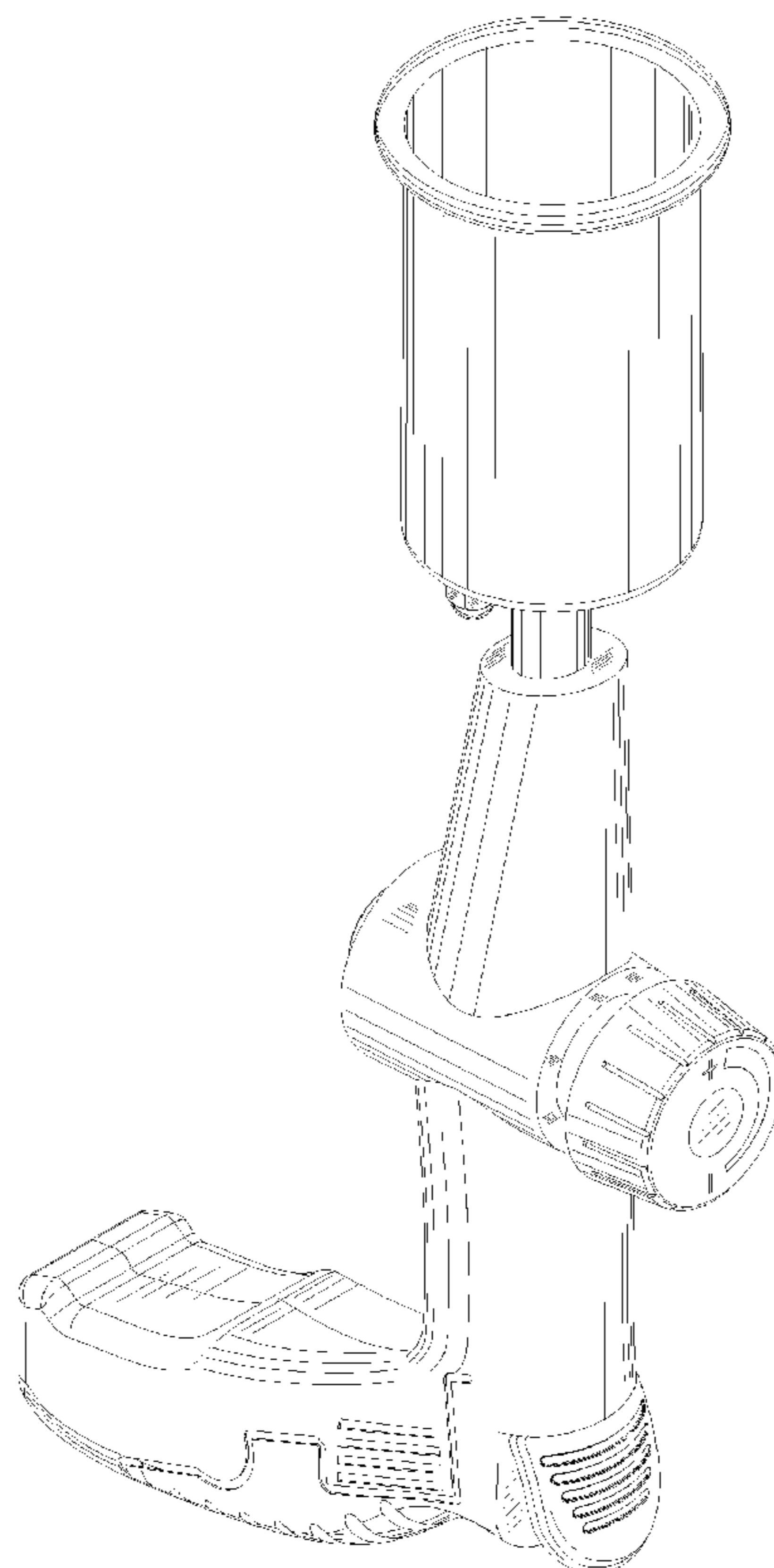
(57) **CLAIM**

The ornamental design for a torch, as shown and described.

DESCRIPTION

FIG. 1 is a perspective view of a torch showing my new design;
 FIG. 2 is another perspective view thereof;
 FIG. 3 is a right side elevational view thereof;
 FIG. 4 is a front elevational view thereof;
 FIG. 5 is a left side elevational view thereof;
 FIG. 6 is a rear elevational view thereof;
 FIG. 7 is a bottom plan view thereof; and,
 FIG. 8 is a top plan view thereof.

1 Claim, 8 Drawing Sheets



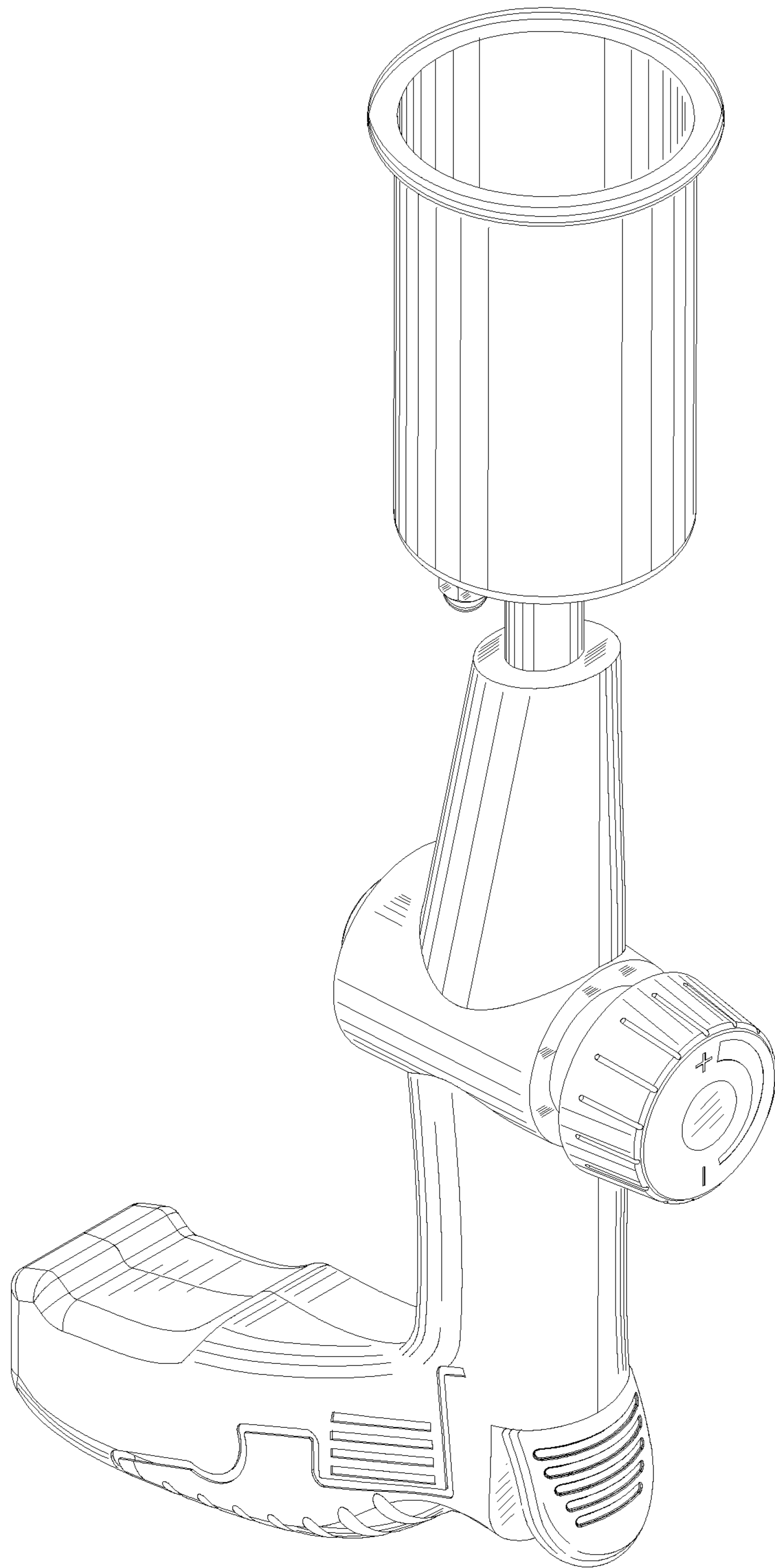


FIG.1

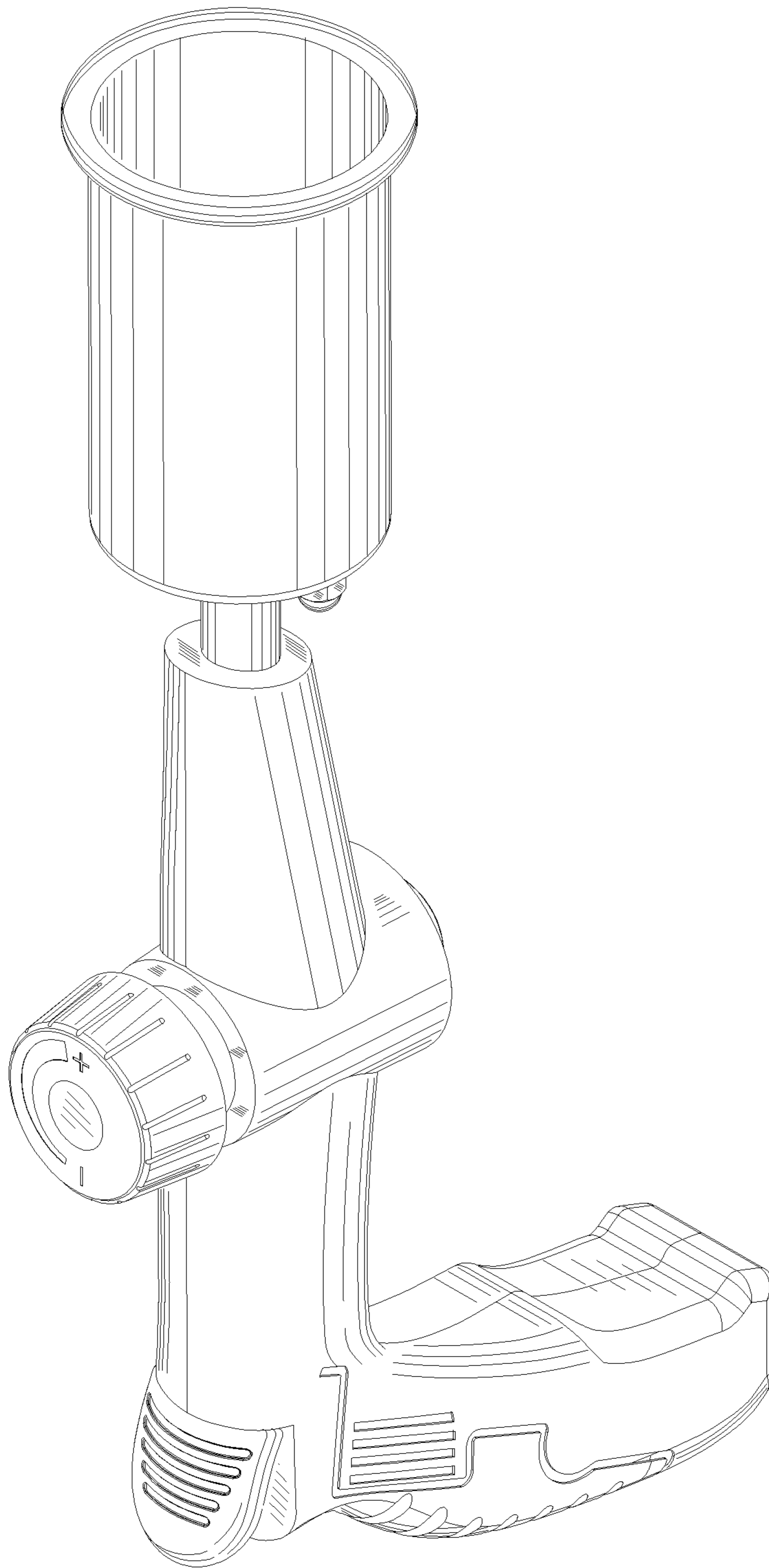


FIG.2

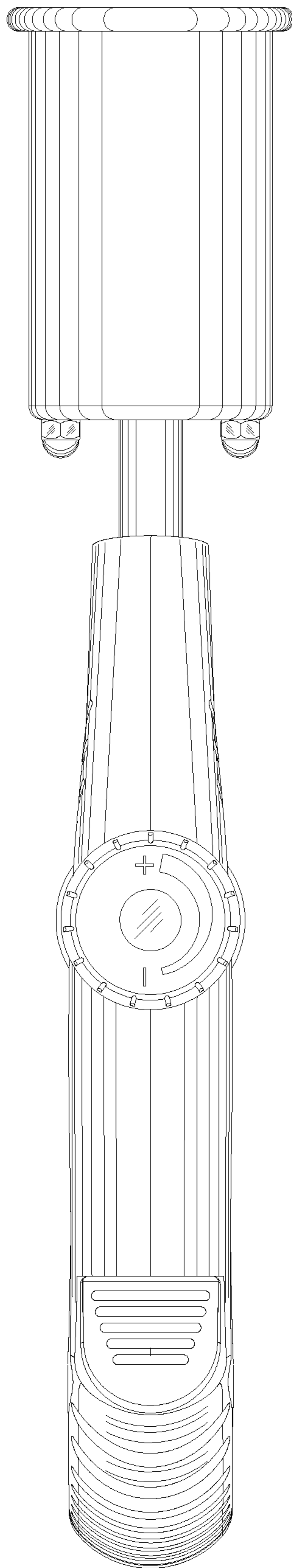


FIG.3

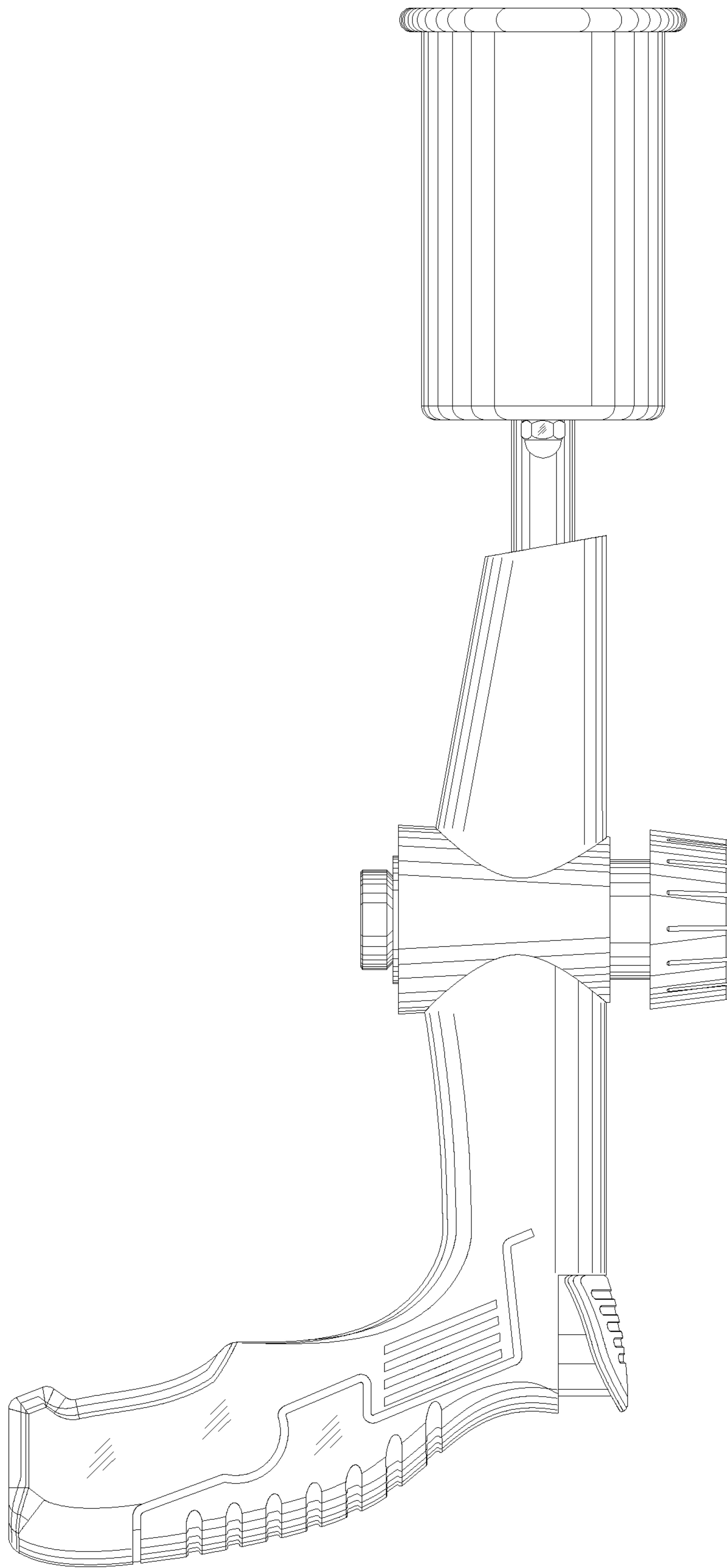


FIG. 4

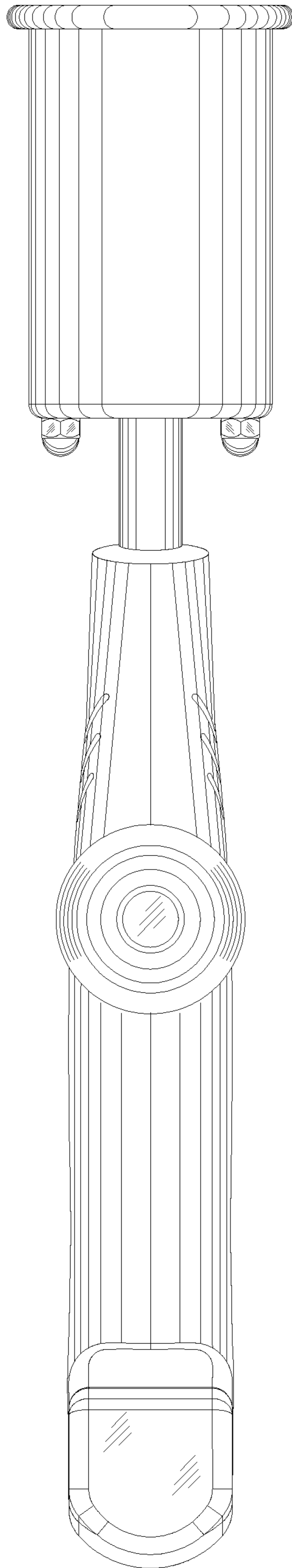


FIG.5

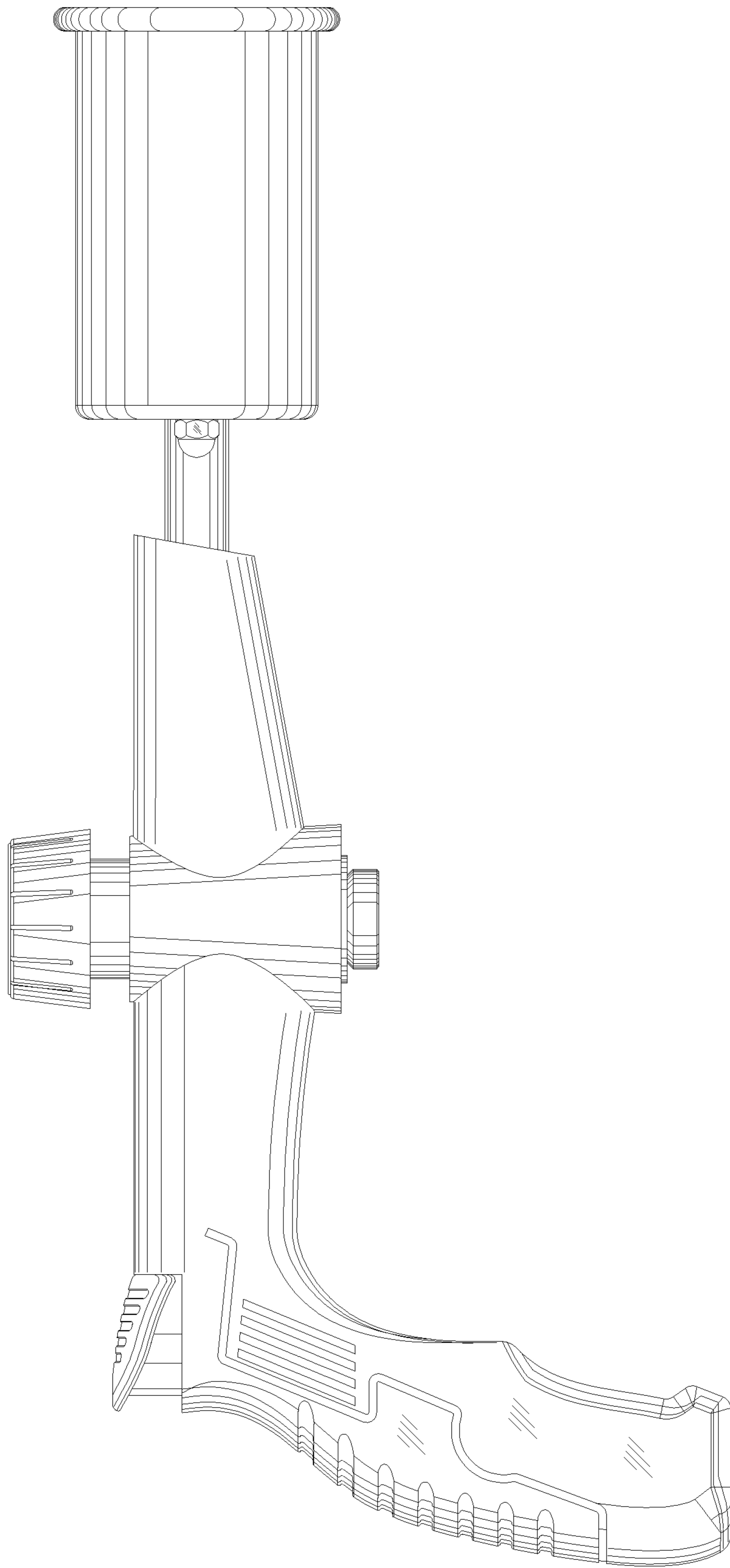


FIG. 6

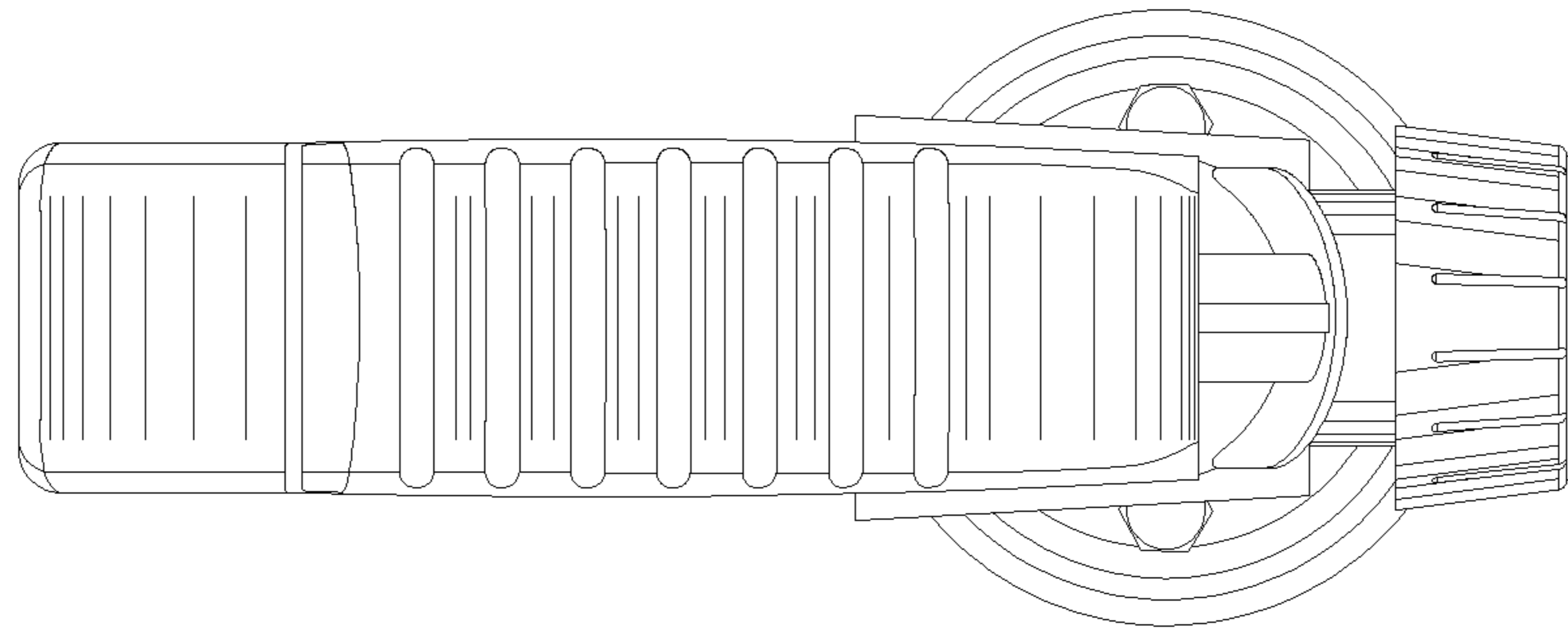


FIG.7

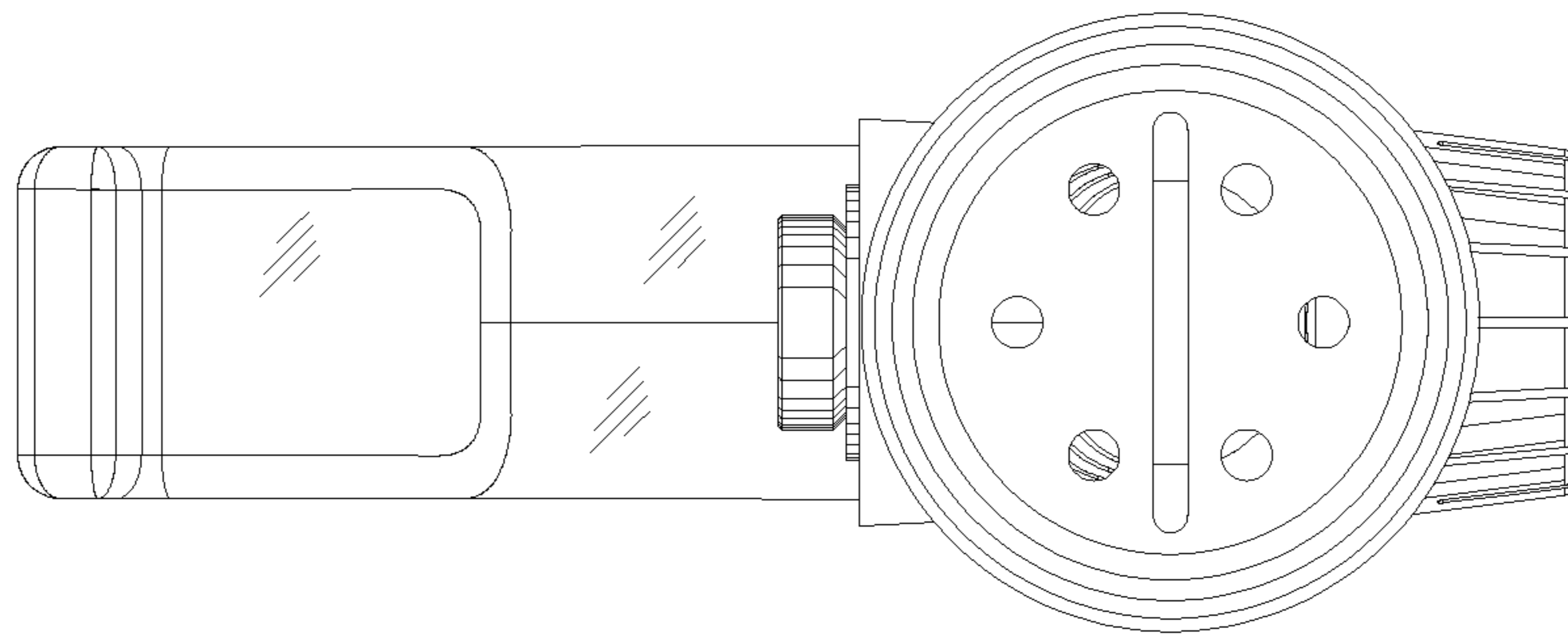


FIG.8