



US00D958211S

(12) **United States Design Patent**  
**Weber**

(10) **Patent No.:** **US D958,211 S**

(45) **Date of Patent:** **\*\* Jul. 19, 2022**

(54) **WELDING TORCH**

(71) Applicant: **Alexander Binzel Schweisstechnik GmbH & Co. KG, Buseck (DE)**

(72) Inventor: **Markus Weber, Mainhausen (DE)**

(73) Assignee: **Alexander Binzel Schweisstechnik GmbH & Co. KG, Buseck (DE)**

(\*\*) Term: **15 Years**

(21) Appl. No.: **29/772,277**

(22) Filed: **Mar. 1, 2021**

(51) **LOC (13) Cl.** ..... **15-09**

(52) **U.S. Cl.**  
USPC ..... **D15/144; D8/30**

(58) **Field of Classification Search**  
USPC ..... D8/29.1, 29.2, 30, 61, 107; D15/144,  
D15/144.1, 144.2; D23/226  
CPC ..... B23K 9/00; B23K 9/0953; B23K 9/124;  
B23K 9/325; B23K 9/287; B23K 9/32;  
B23K 9/295  
See application file for complete search history.

(56) **References Cited**

**U.S. PATENT DOCUMENTS**

D326,594 S *	6/1992	Haberman	.....	D8/30
D403,216 S *	12/1998	Romine	.....	D8/30
D486,368 S *	2/2004	Jones	.....	D8/30
D488,968 S *	4/2004	Kinerson	.....	D8/30
D532,432 S *	11/2006	Owens	.....	D8/107
D537,092 S *	2/2007	Owens	.....	D8/107
D735,002 S *	7/2015	Bondy	.....	D8/30
D771,727 S *	11/2016	Imi	.....	D15/144

D849,808 S *	5/2019	Assmann	.....	D8/107
D875,799 S *	2/2020	Crowe	.....	D8/30
D876,914 S *	3/2020	Mitterhumer	.....	D8/30
D888,529 S *	6/2020	Hartel	.....	D8/30
D904,146 S *	12/2020	Grossauer	.....	D8/30
D945,230 S *	3/2022	Hartel	.....	D8/30
2016/0129516 A1 *	5/2016	Hoeger	.....	B23K 9/0953 219/121.11

**FOREIGN PATENT DOCUMENTS**

WO WO-2016048980 A2 \* 3/2016 ..... B23K 9/173

\* cited by examiner

*Primary Examiner* — Patricia A Palasik

(74) *Attorney, Agent, or Firm* — Rogowski Law LLC

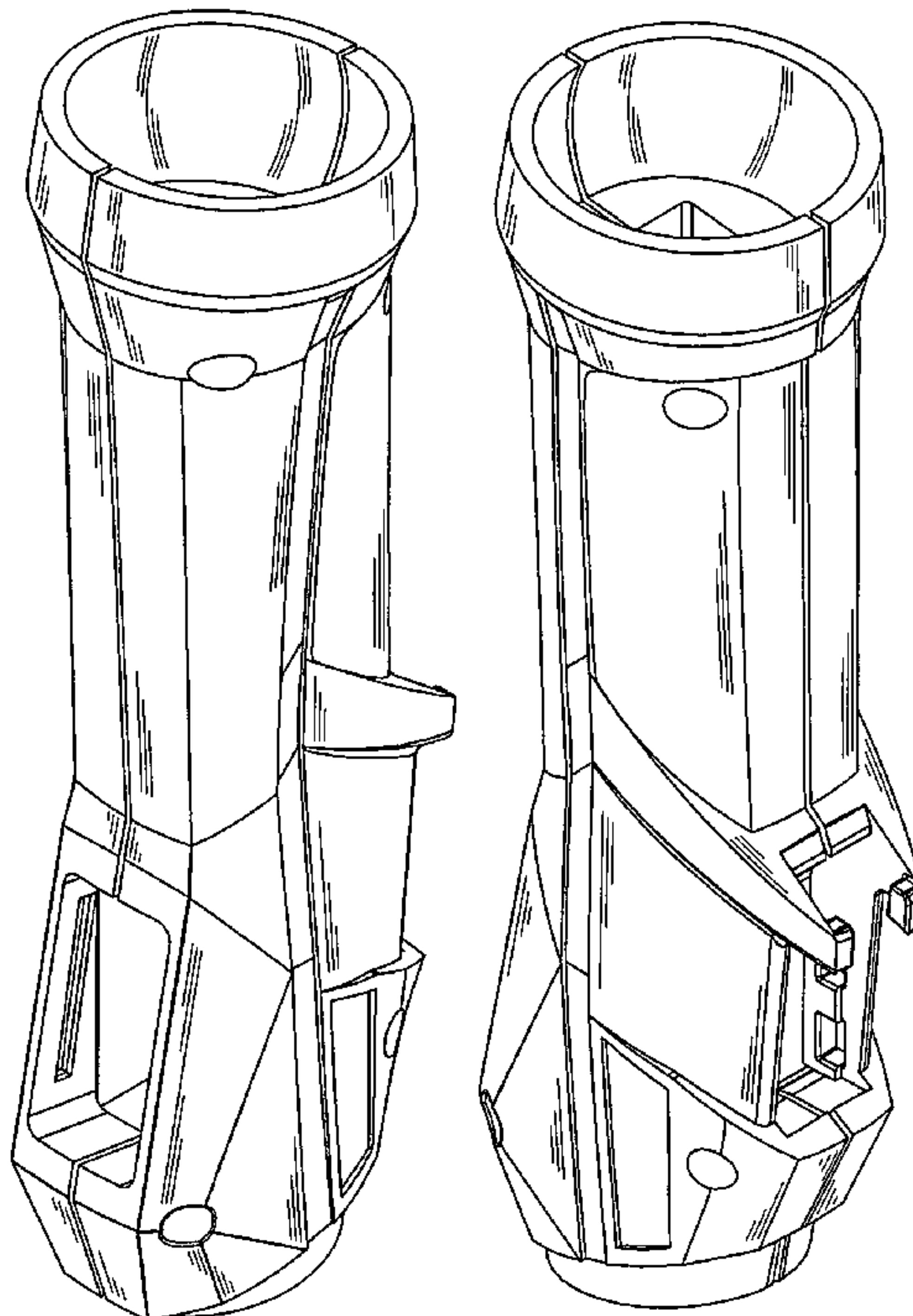
(57) **CLAIM**

The ornamental design for a welding torch, as shown and described.

**DESCRIPTION**

FIG. 1 is a bottom perspective view of a welding torch showing our design;  
 FIG. 2 is a top perspective view of the welding torch of FIG. 1;  
 FIG. 3 is a bottom plan view of the welding torch of FIG. 1;  
 FIG. 4 is a top plan view of the welding torch of FIG. 1;  
 FIG. 5 is a left side elevational view of the welding torch of FIG. 1;  
 FIG. 6 is a right side elevational view of the welding torch of FIG. 1;  
 FIG. 7 is a front elevational view view of the welding torch of FIG. 1; and,  
 FIG. 8 is a rear elevational view of the welding torch of FIG. 1.

**1 Claim, 8 Drawing Sheets**



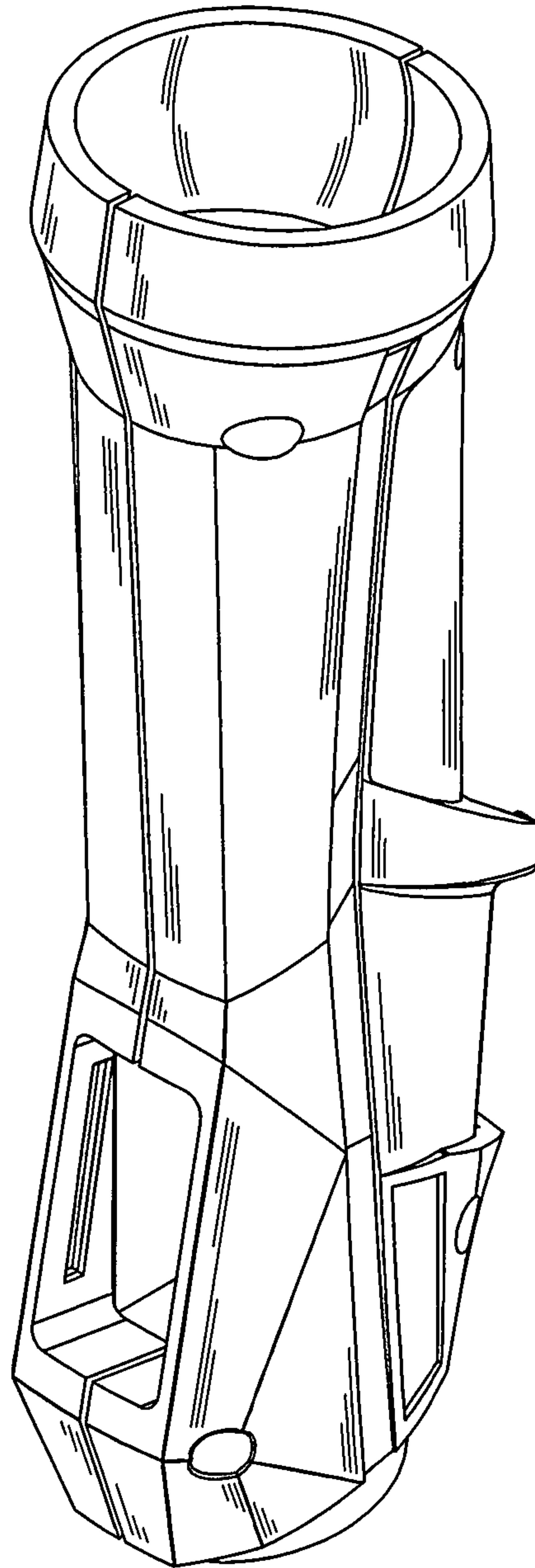
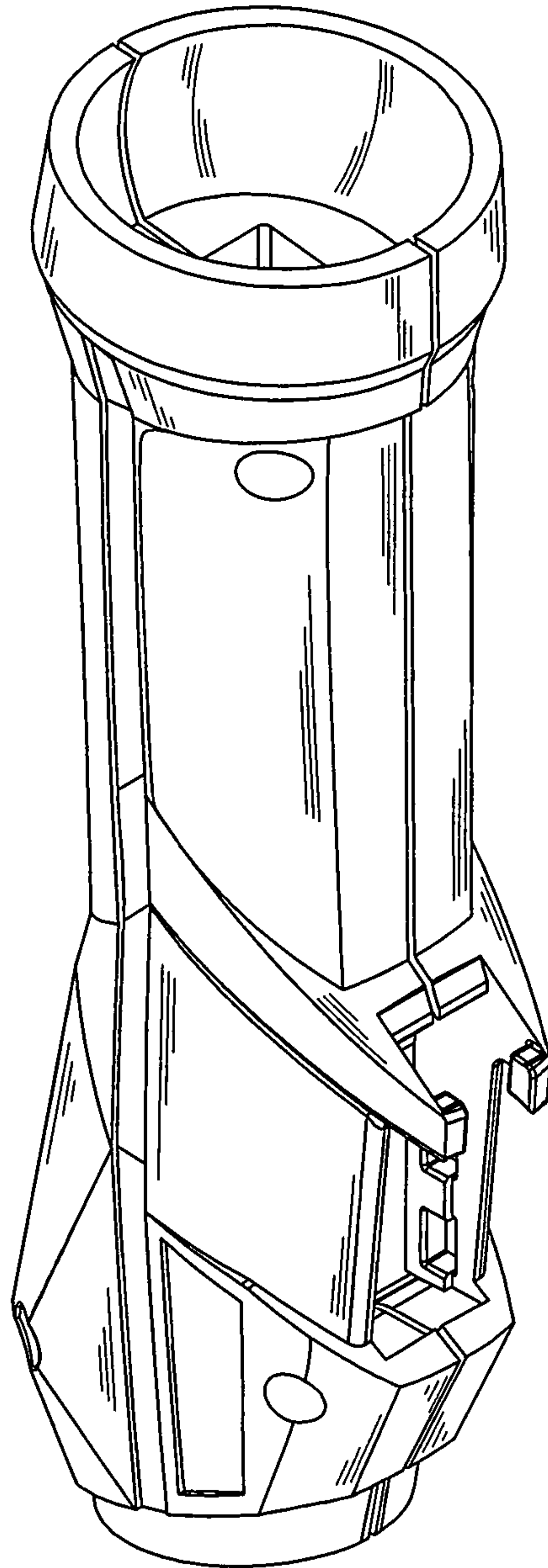
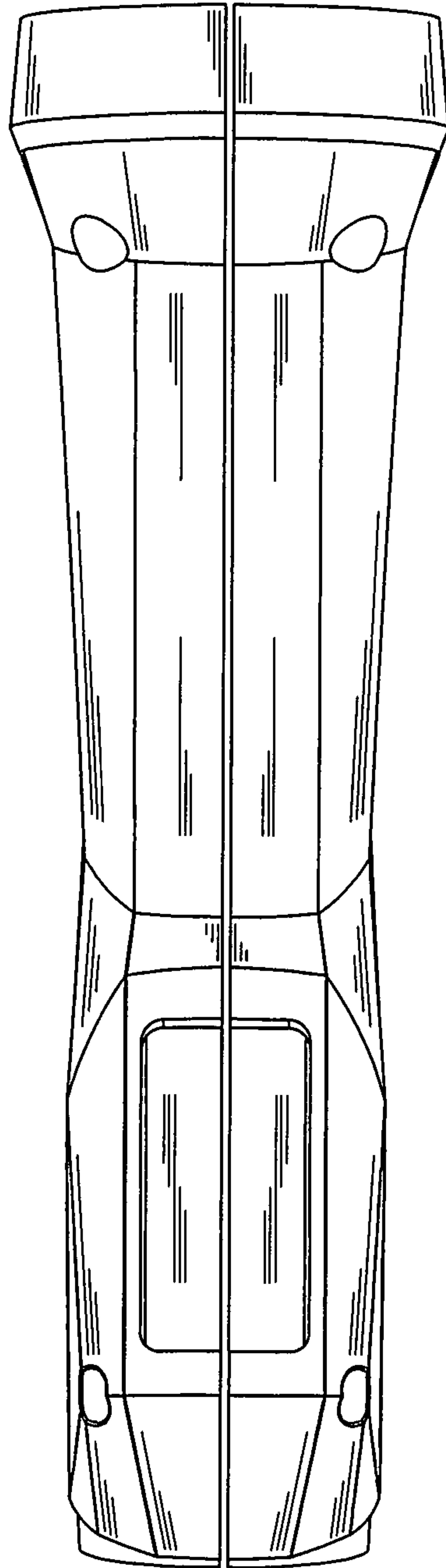


FIG. 1



**FIG. 2**



**FIG. 3**

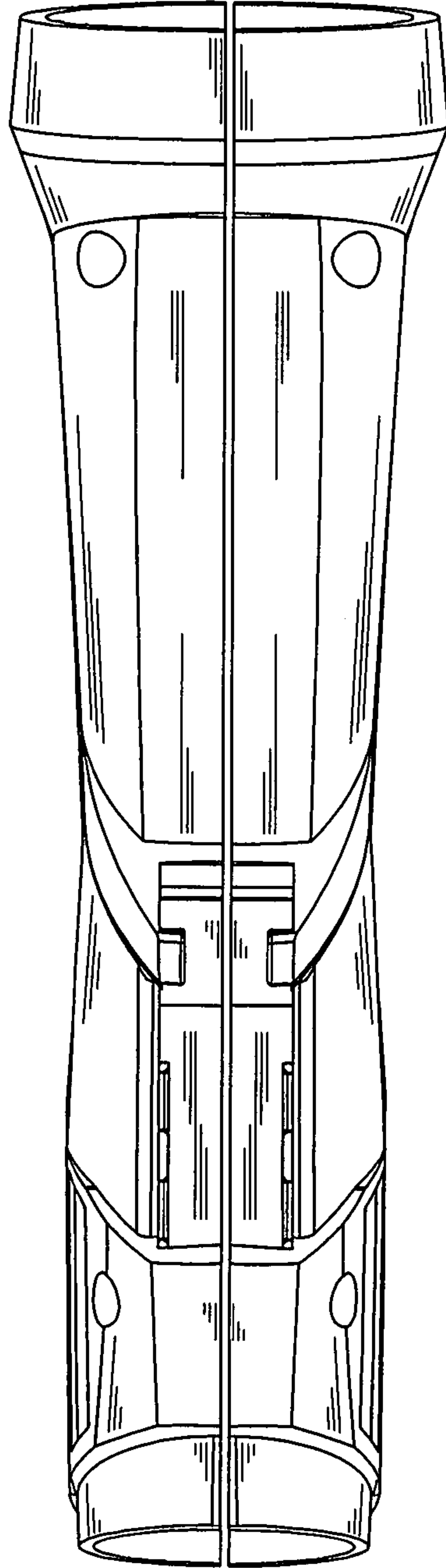


FIG.4

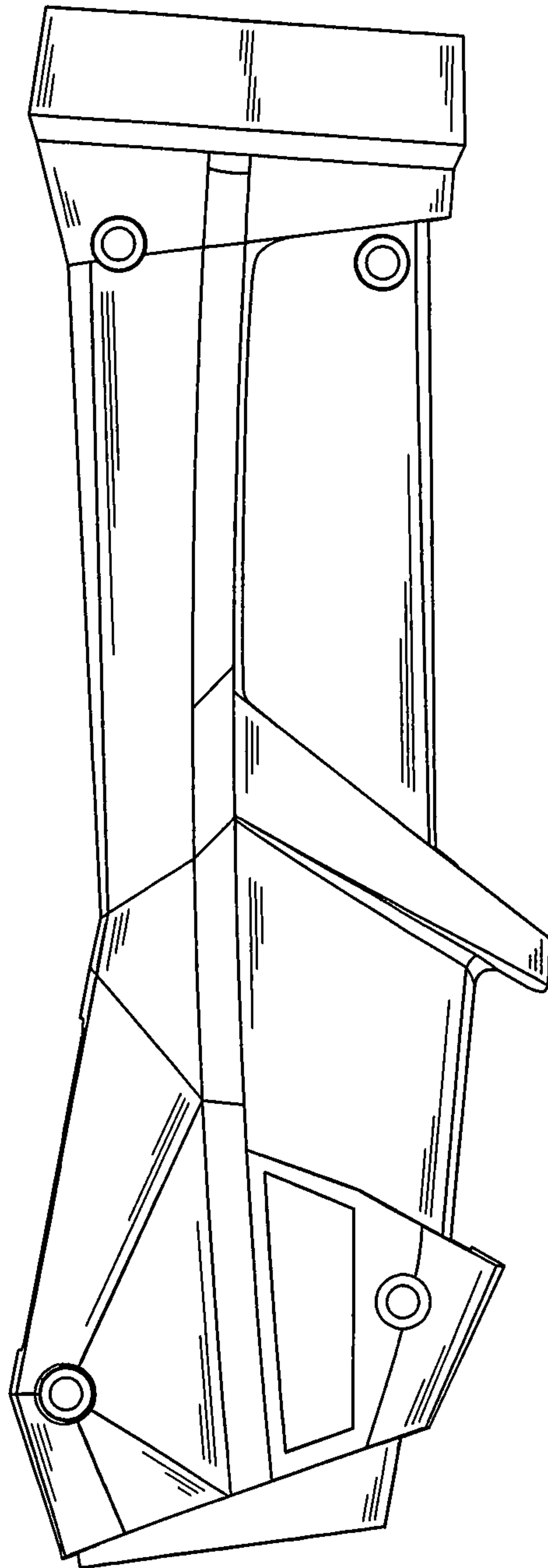


FIG. 5

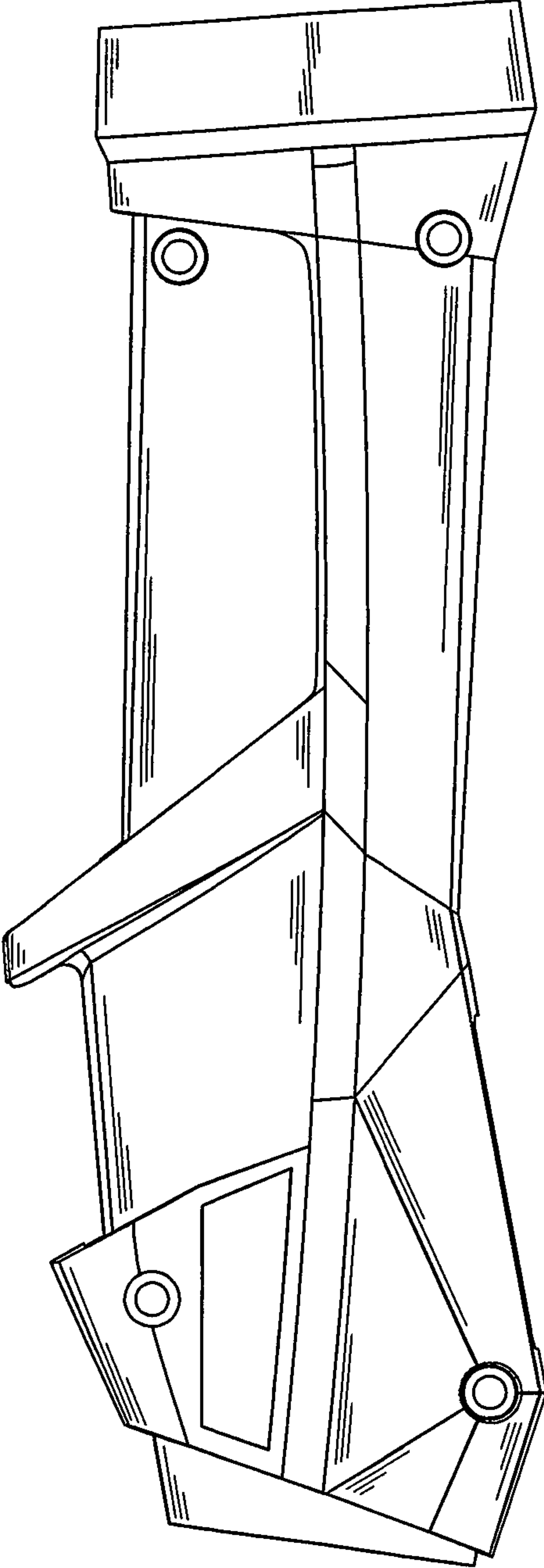


FIG.6



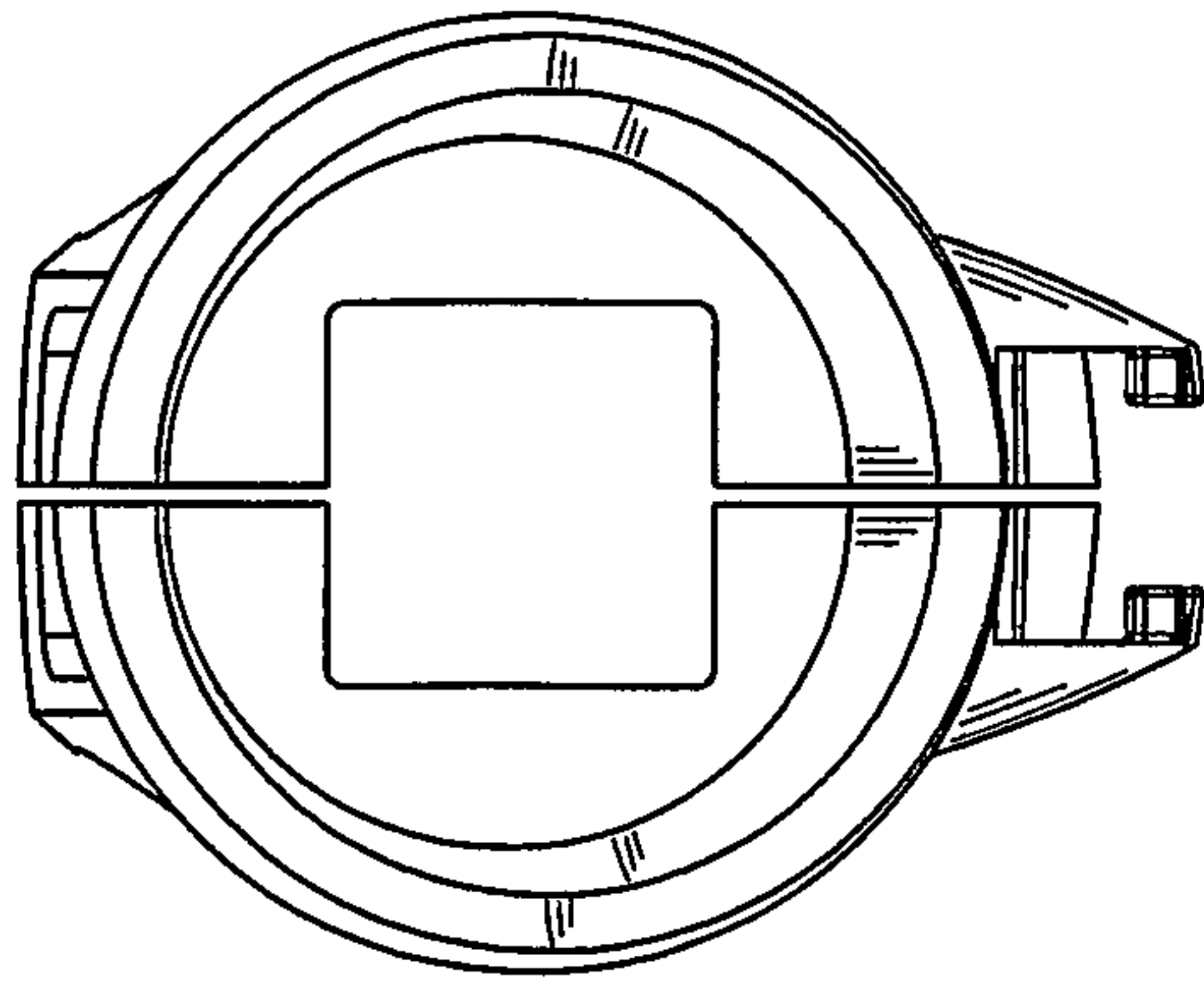


FIG.7



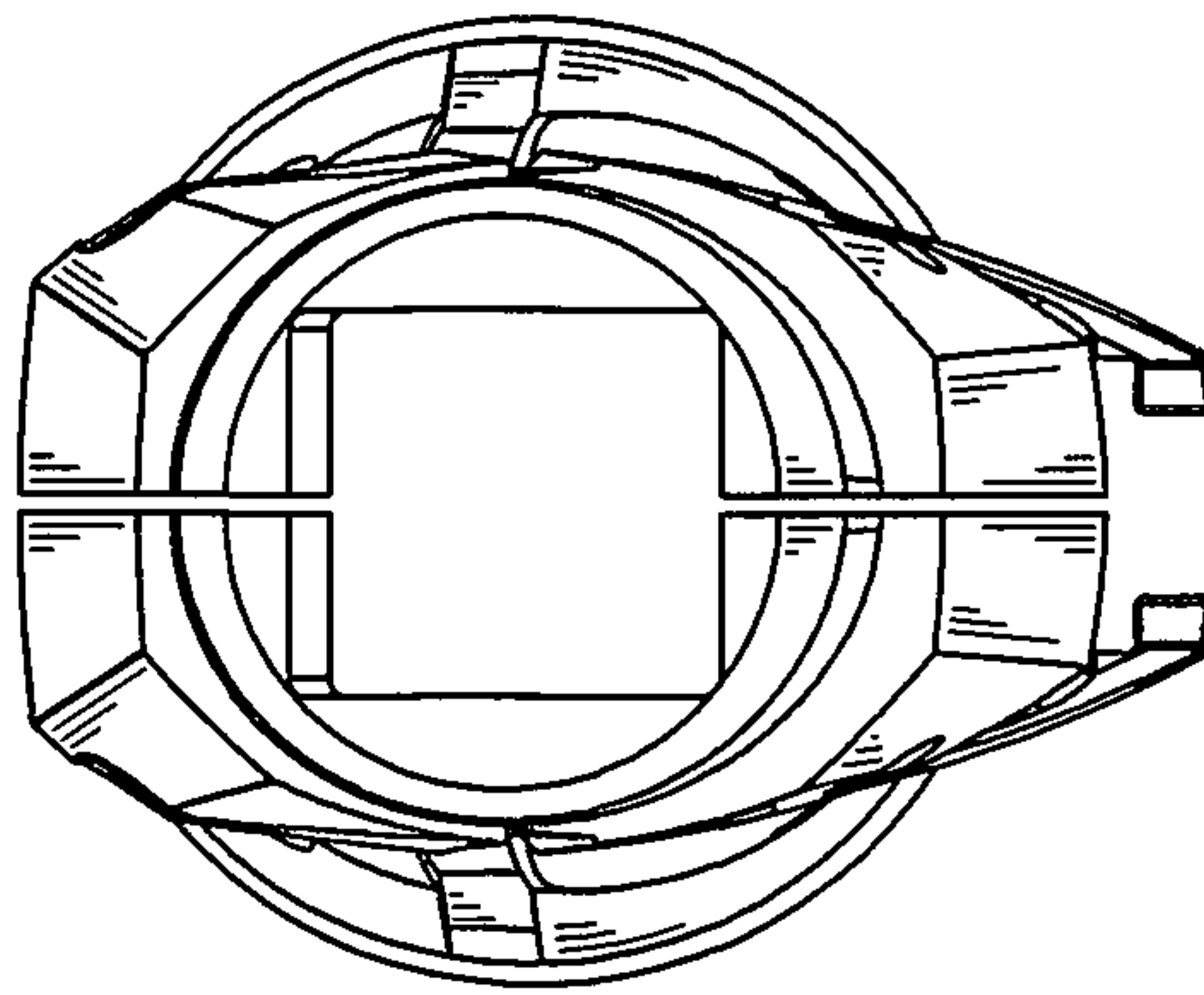


FIG. 8