



US00D958209S

(12) **United States Design Patent** (10) **Patent No.:** **US D958,209 S**  
**Bradshaw** (45) **Date of Patent:** **\*\* Jul. 19, 2022**

(54) **MOLDING MACHINE PART** 4,530,654 A \* 7/1985 Rose ..... B29C 45/2896  
425/566  
(71) Applicant: **Husky Injection Molding Systems** 4,733,801 A 3/1988 Scammell  
**Ltd., Bolton (CA)** 4,775,130 A 10/1988 Von Holdt  
4,856,977 A 8/1989 Von Holdt  
(72) Inventor: **Maxfield Paul Bradshaw, Ontario** 5,067,891 A \* 11/1991 Julian ..... B29C 49/06  
**(CA)** 425/533  
D324,392 S \* 3/1992 Wilhelm ..... D15/136  
5,232,718 A 8/1993 Miyazawa et al.  
(73) Assignee: **Husky Injection Molding Systems**  
**Ltd., Bolton (CA)** (Continued)

(\*\*) Term: **15 Years**

(21) Appl. No.: **29/779,457**

(22) Filed: **Apr. 19, 2021**

**Related U.S. Application Data**

(62) Division of application No. 35/508,427, filed on Jun. 4, 2019 (U.S. filing date under 35 U.S.C. 384), and having an international filing date of Jun. 4, 2019, now abandoned.

(51) **LOC (13) Cl.** ..... **15-09**

(52) **U.S. Cl.**  
USPC ..... **D15/135**  
CPC ..... **B29C 45/33** (2013.01)

(58) **Field of Classification Search**  
USPC ..... D15/135-139; 65/260, 356, 357;  
83/845; 205/70, 164-169; 249/78, 79;  
407/42, 110, 115-117, 135, 146, 171,  
407/181, 218, 253-261, 363, 451.9, 471,  
407/542, 543, 547, 548, 552, 556, 577,  
407/589-595; 264/51, 220, 221; 428/71  
CPC ..... B29C 45/7312; B29C 45/33; B29K  
2105/253

See application file for complete search history.

(56) **References Cited**

**U.S. PATENT DOCUMENTS**

4,207,051 A 6/1980 Wright et al.  
4,521,179 A \* 6/1985 Gellert ..... B29C 45/2896  
425/548

**FOREIGN PATENT DOCUMENTS**

CA 2741937 A1 1/2012  
CN 203765941 U 8/2014

(Continued)

*Primary Examiner* — Richard E Chilcot

(74) *Attorney, Agent, or Firm* — Banner & Witcoff, Ltd.

(57) **CLAIM**

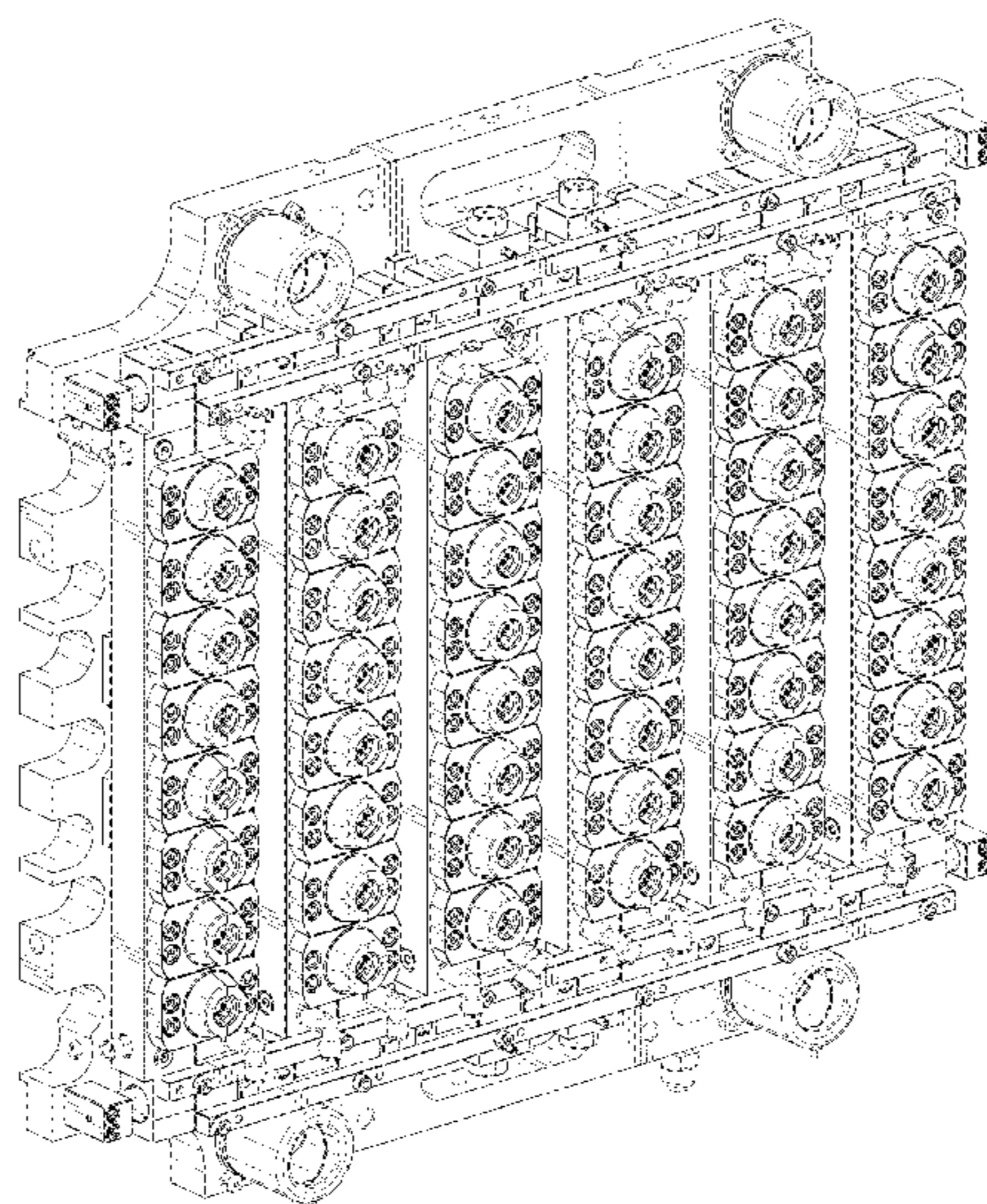
The ornamental design for a molding machine part, as shown and described.

**DESCRIPTION**

FIG. 1 is a front perspective view of the claimed design for a molding machine part;  
FIG. 2 is a front view thereof;  
FIG. 3 is a back view thereof;  
FIG. 4 is a left view thereof;  
FIG. 5 is a right view thereof;  
FIG. 6 is a top view thereof;  
FIG. 7 is a bottom view thereof; and,  
FIG. 8 is a rear perspective view thereof.

The broken lines immediately adjacent to the shaded area depict boundaries of the claimed design and form no part thereof. The broken lines showing the remainder of the molding machine part depict environmental structure and form no part of the claimed design. Portions of the molding machine part not shown in the drawing form no part of the claimed design.

**1 Claim, 8 Drawing Sheets**



(56)

References Cited

U.S. PATENT DOCUMENTS

D341,602 S \* 11/1993 Faig ..... D15/135  
 5,271,875 A 12/1993 Appleton et al.  
 5,312,243 A 5/1994 Mertz  
 5,443,381 A 8/1995 Gellert  
 5,466,147 A 11/1995 Appleton et al.  
 D364,882 S \* 12/1995 Junkers ..... D15/199  
 5,494,433 A 2/1996 Gellert  
 5,562,519 A \* 10/1996 Loewenton ..... A63H 33/08  
 446/105  
 5,575,056 A 11/1996 Nakagawa  
 5,753,275 A 5/1998 Takahashi et al.  
 5,780,068 A 7/1998 Shinohara  
 6,015,283 A 1/2000 Mattia  
 6,017,209 A 1/2000 Gellert et al.  
 6,030,202 A 2/2000 Gellert et al.  
 6,099,785 A \* 8/2000 Schweigert ..... B29C 45/4421  
 249/59  
 6,168,740 B1 1/2001 Koch et al.  
 6,176,700 B1 1/2001 Gellert  
 6,314,000 B1 \* 11/2001 Johnson ..... H05K 9/0022  
 174/358  
 D460,467 S \* 7/2002 Gross ..... D15/135  
 D460,766 S \* 7/2002 Gross ..... D15/136  
 D460,976 S \* 7/2002 Gross ..... D15/136  
 6,569,370 B1 5/2003 Amin et al.  
 D519,530 S \* 4/2006 Thysell ..... D15/126  
 7,128,865 B2 \* 10/2006 Martin ..... B29C 45/40  
 264/318  
 D546,847 S \* 7/2007 Teng ..... D15/135  
 D546,848 S \* 7/2007 Teng ..... D15/135  
 7,361,009 B2 \* 4/2008 Li ..... B29C 45/7312  
 425/547  
 7,377,767 B2 \* 5/2008 Dubuis ..... B29C 45/7312  
 425/547  
 7,381,049 B2 \* 6/2008 Li ..... B29C 45/33  
 264/334  
 D595,319 S \* 6/2009 Park ..... D15/126  
 7,575,429 B2 8/2009 Mai et al.  
 7,645,132 B2 \* 1/2010 McCready ..... B29C 45/7312  
 425/192 R  
 7,762,802 B2 \* 7/2010 Mai ..... B29C 45/36  
 425/190  
 7,854,876 B2 \* 12/2010 Gaiser ..... B23P 19/04  
 264/297.2  
 D631,073 S \* 1/2011 Papa ..... D15/135  
 D682,651 S \* 5/2013 McRoberts ..... D8/70  
 D689,352 S \* 9/2013 Cecil ..... D8/29  
 D699,769 S \* 2/2014 Witz ..... D15/136  
 D699,770 S \* 2/2014 Kmoch ..... D15/136  
 D700,224 S \* 2/2014 Kmoch ..... D15/136  
 D714,368 S \* 9/2014 Kmoch ..... D15/136  
 D717,845 S \* 11/2014 Wachsmann ..... D15/135  
 D717,846 S \* 11/2014 Wachsmann ..... D15/135  
 9,004,906 B2 4/2015 Lausenhammer  
 D730,416 S \* 5/2015 Jacovich ..... D15/135  
 9,272,453 B1 3/2016 Keir et al.  
 9,608,362 B2 \* 3/2017 Jelak ..... B29C 45/03  
 D815,162 S \* 4/2018 Sakaguchi ..... D15/135  
 D815,671 S \* 4/2018 Terabe ..... D15/135  
 2001/0038163 A1 11/2001 Matysek  
 2002/0122841 A1 9/2002 Joseph  
 2002/0146483 A1 10/2002 Mai et al.

2004/0123640 A1 7/2004 Rooney  
 2004/0247736 A1 12/2004 Elliot  
 2005/0236729 A1 10/2005 Arnott  
 2006/0118999 A1 6/2006 Cooper et al.  
 2006/0283210 A1 12/2006 Dubuis et al.  
 2007/0092596 A1 4/2007 Li  
 2007/0212443 A1 9/2007 Li et al.  
 2008/0026239 A1 1/2008 Balboni et al.  
 2008/0268086 A1 10/2008 Kmoch et al.  
 2008/0268088 A1 10/2008 Kmoch et al.  
 2008/0268090 A1 10/2008 Kmoch et al.  
 2009/0020915 A1 1/2009 Mai et al.  
 2009/0022843 A1 1/2009 Mai et al.  
 2009/0022845 A1 1/2009 Mai et al.  
 2009/0155404 A1 6/2009 Mai  
 2009/0214694 A1 \* 8/2009 Mai ..... B29C 45/36  
 425/577  
 2010/0183763 A1 7/2010 Babin et al.  
 2012/0038076 A1 2/2012 Lausenhammer et al.  
 2013/0029004 A1 \* 1/2013 Looije ..... B29C 45/40  
 425/556  
 2013/0142902 A1 \* 6/2013 Papa ..... B29C 33/10  
 425/577  
 2013/0216643 A1 8/2013 Papa  
 2013/0236590 A1 \* 9/2013 Jacovich ..... B29C 49/56  
 425/541  
 2013/0243897 A1 9/2013 McCready et al.  
 2013/0243899 A1 9/2013 Babin et al.  
 2014/0010909 A1 1/2014 McCready  
 2015/0069662 A1 3/2015 Mai et al.  
 2015/0174792 A1 6/2015 Lausenhammer  
 2015/0360404 A1 12/2015 Kmoch et al.  
 2016/0059458 A1 3/2016 Keir et al.  
 2016/0193769 A1 7/2016 Rodinsky  
 2017/0001352 A1 1/2017 Kunz  
 2018/0162031 A1 6/2018 Mai  
 2019/0160719 A1 \* 5/2019 Plumpton ..... B29C 45/2711

FOREIGN PATENT DOCUMENTS

CN 204367306 U 6/2015  
 CN 205705102 U 11/2016  
 CN 106926417 A 7/2017  
 EP 0688656 A1 12/1995  
 EP 0743158 A1 11/1996  
 EP 2032329 A1 3/2009  
 FR 2817793 A1 6/2002  
 FR 2833510 A1 6/2003  
 GB 1035620 A 7/1966  
 JP 9029784 A 2/1997  
 KR 1423162 B1 7/2014  
 WO 1989000911 A1 2/1989  
 WO 1992000178 A1 1/1992  
 WO 2007101351 A1 9/2007  
 WO 2009012559 A1 1/2009  
 WO 2009103146 A1 8/2009  
 WO 2012019304 A1 2/2012  
 WO 2012114177 A1 8/2012  
 WO 2014186884 A1 11/2014  
 WO 2017215801 A1 12/2017  
 WO 2018023249 A1 2/2018  
 WO 2018098564 A1 6/2018  
 WO 2018107273 A1 6/2018  
 WO 2018232499 A1 12/2018

\* cited by examiner

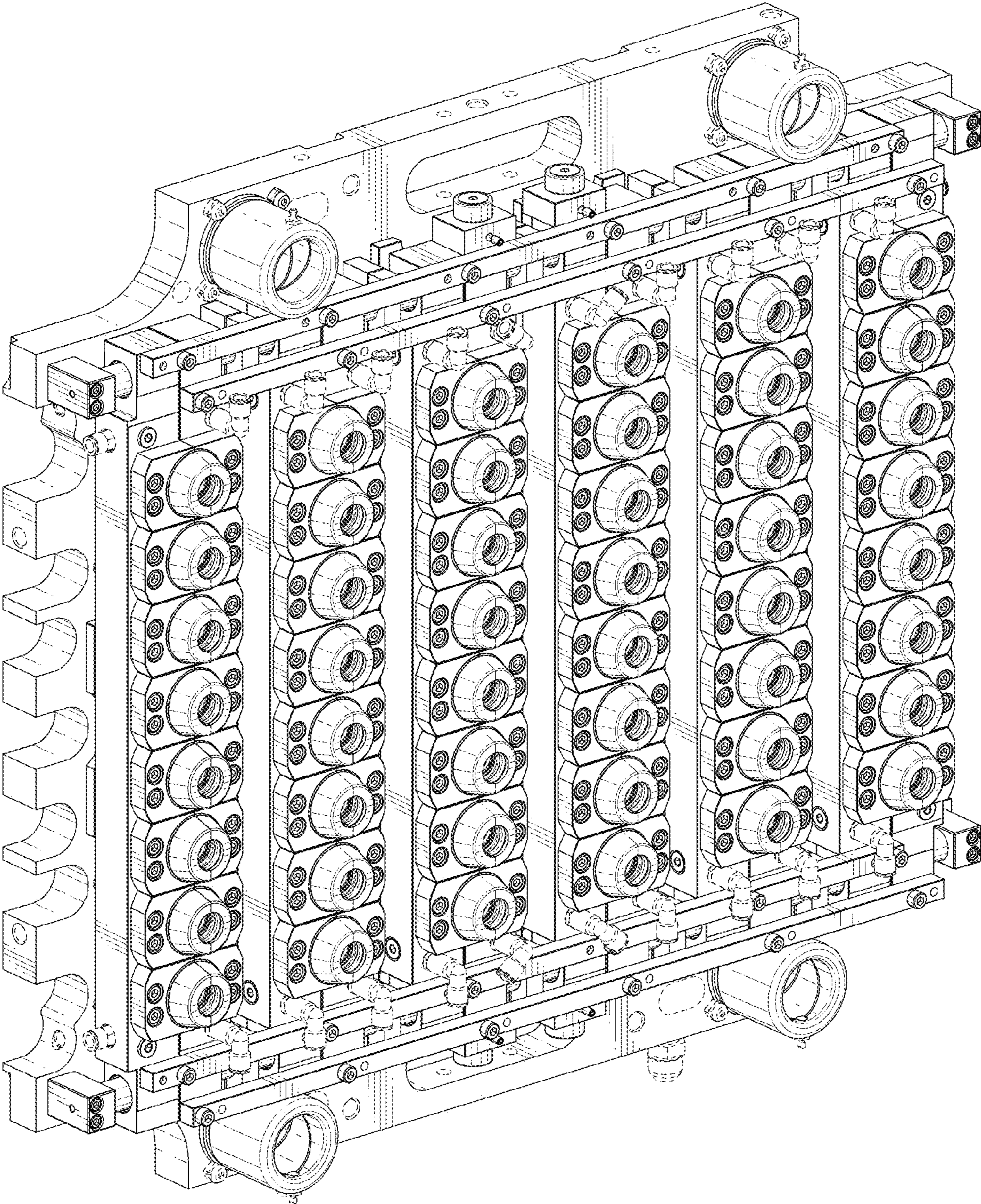


FIG. 1

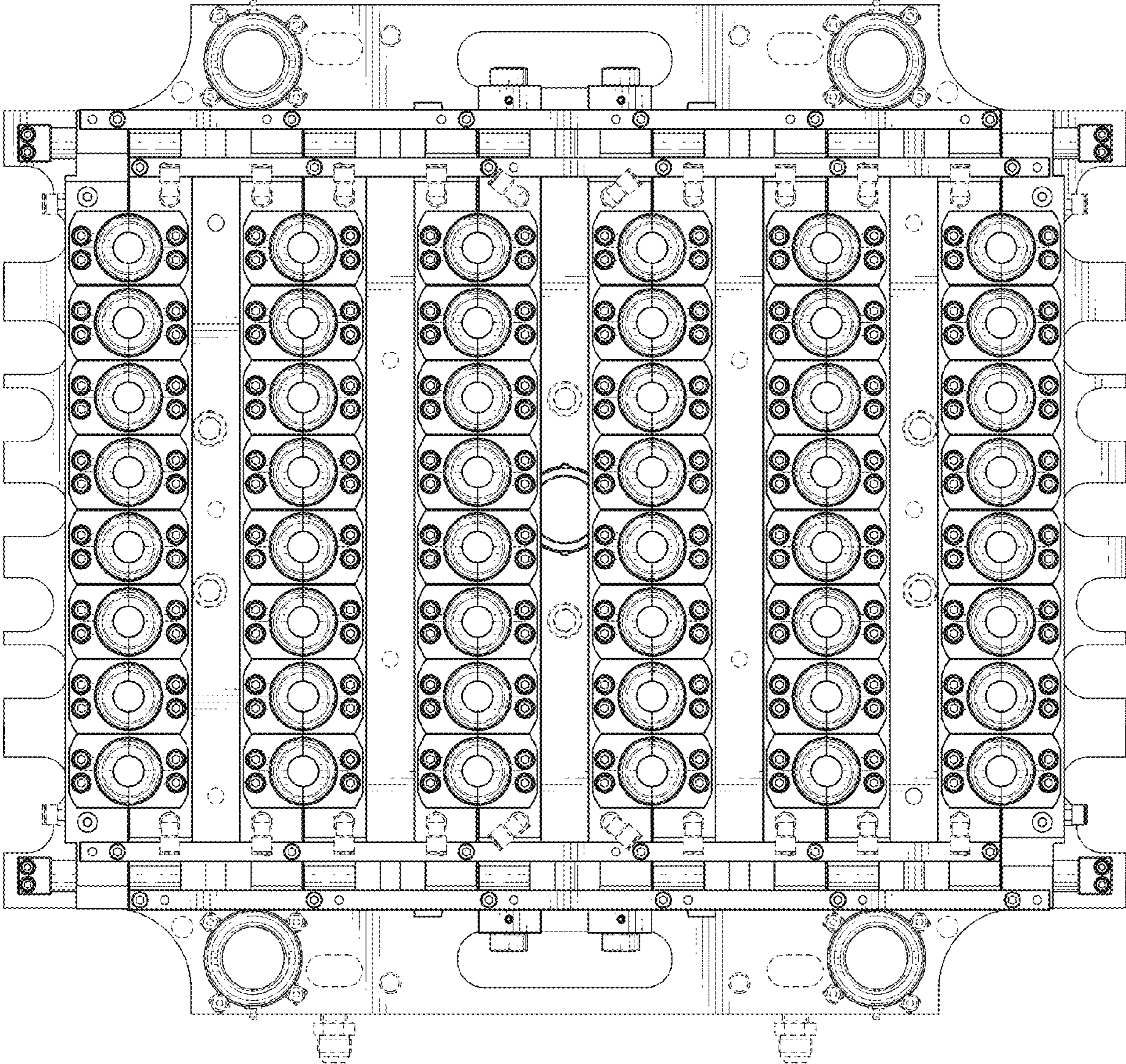
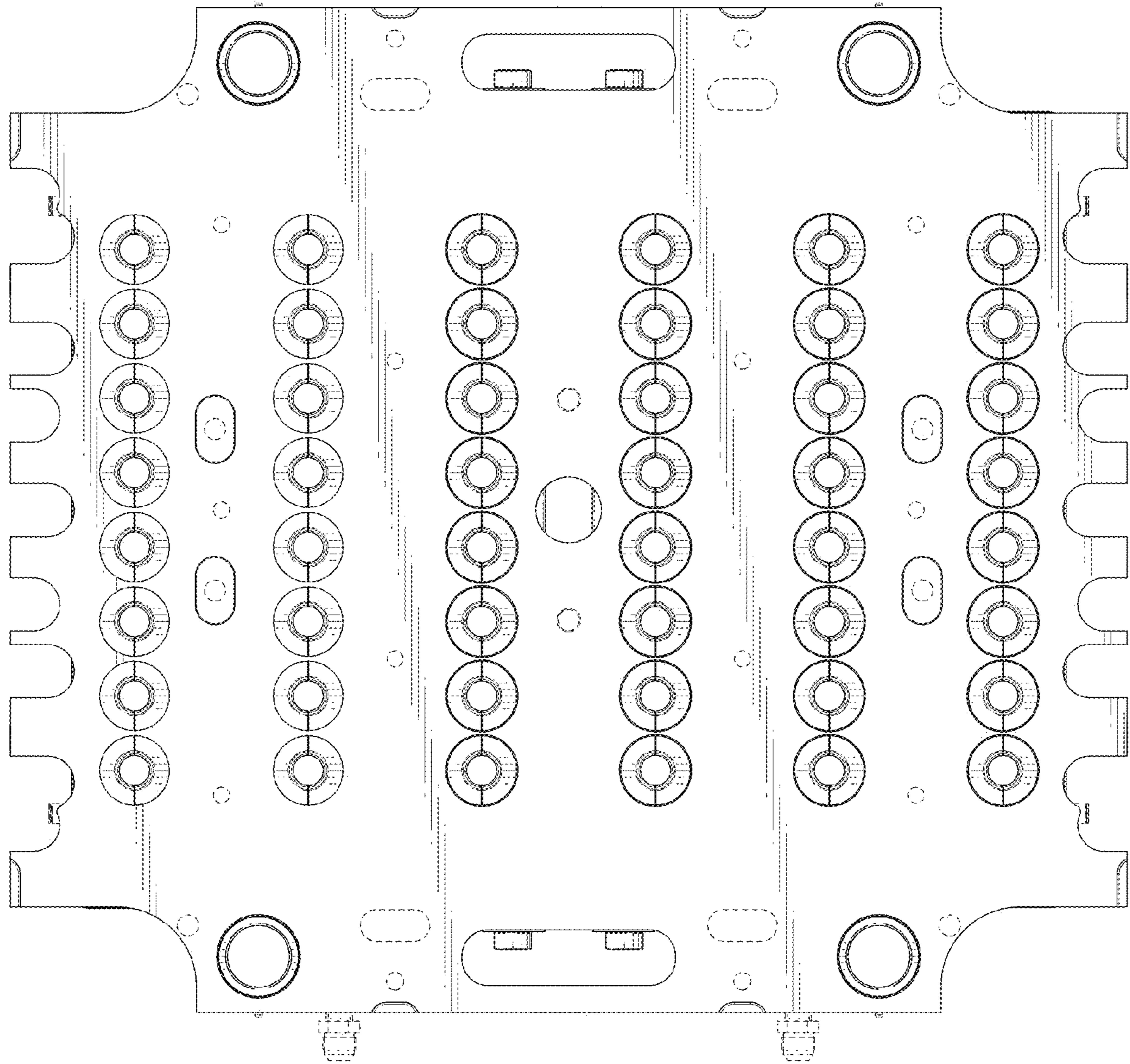
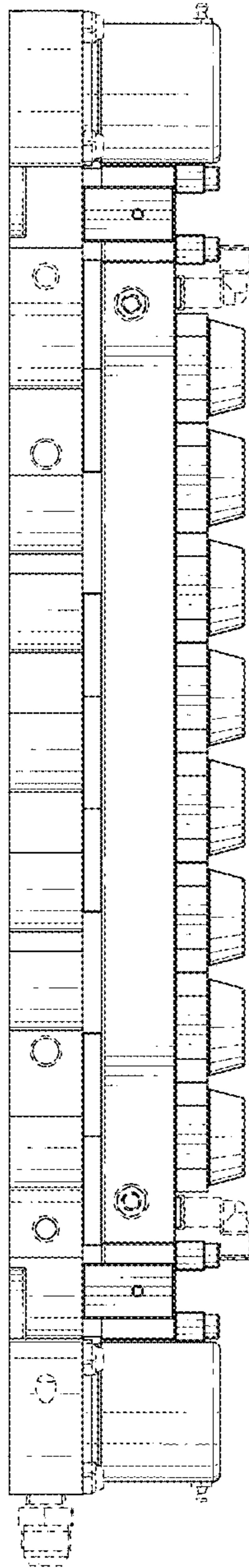


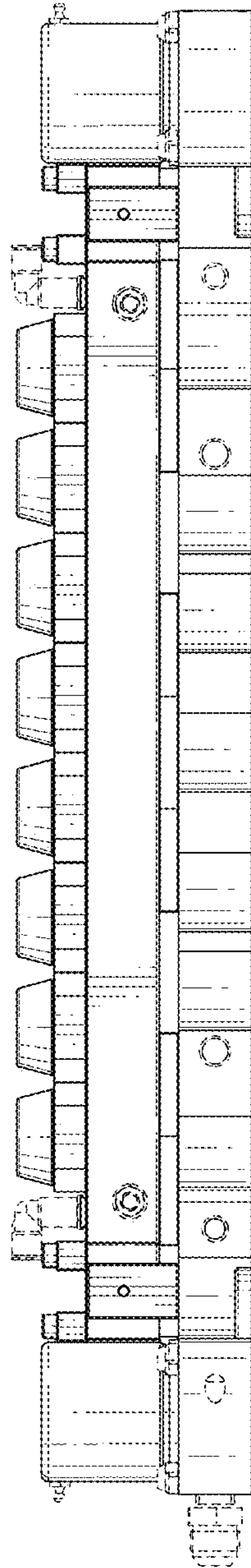
FIG. 2



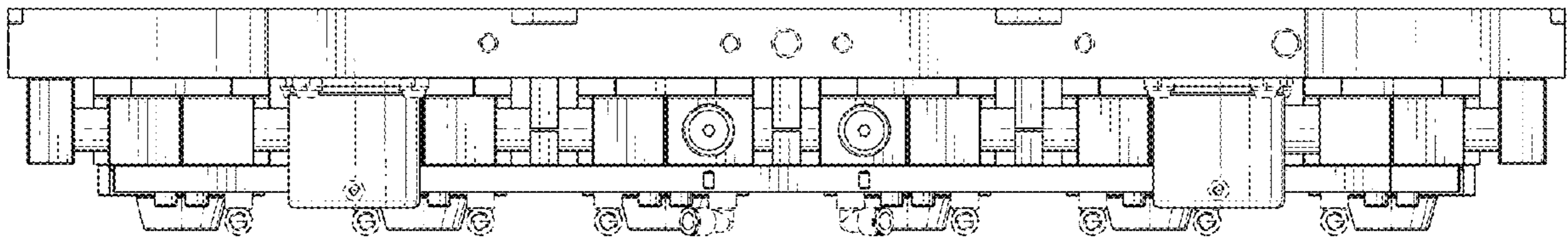
*FIG. 3*



**FIG. 4**

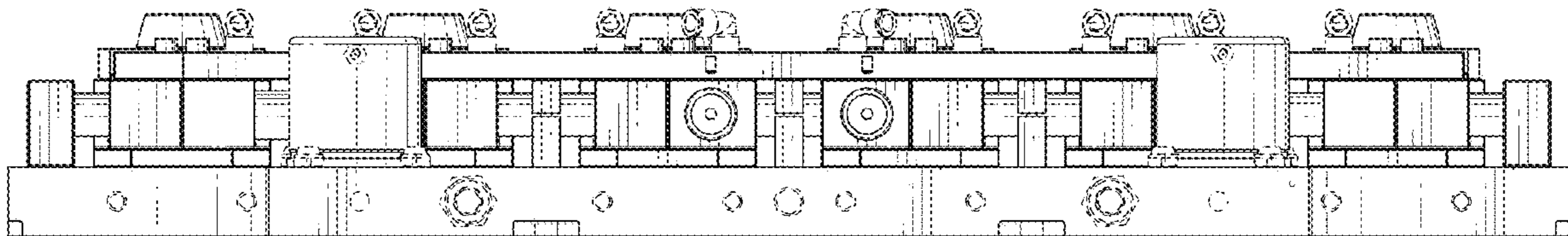


**FIG. 5**



*FIG. 6*





*FIG. 7*

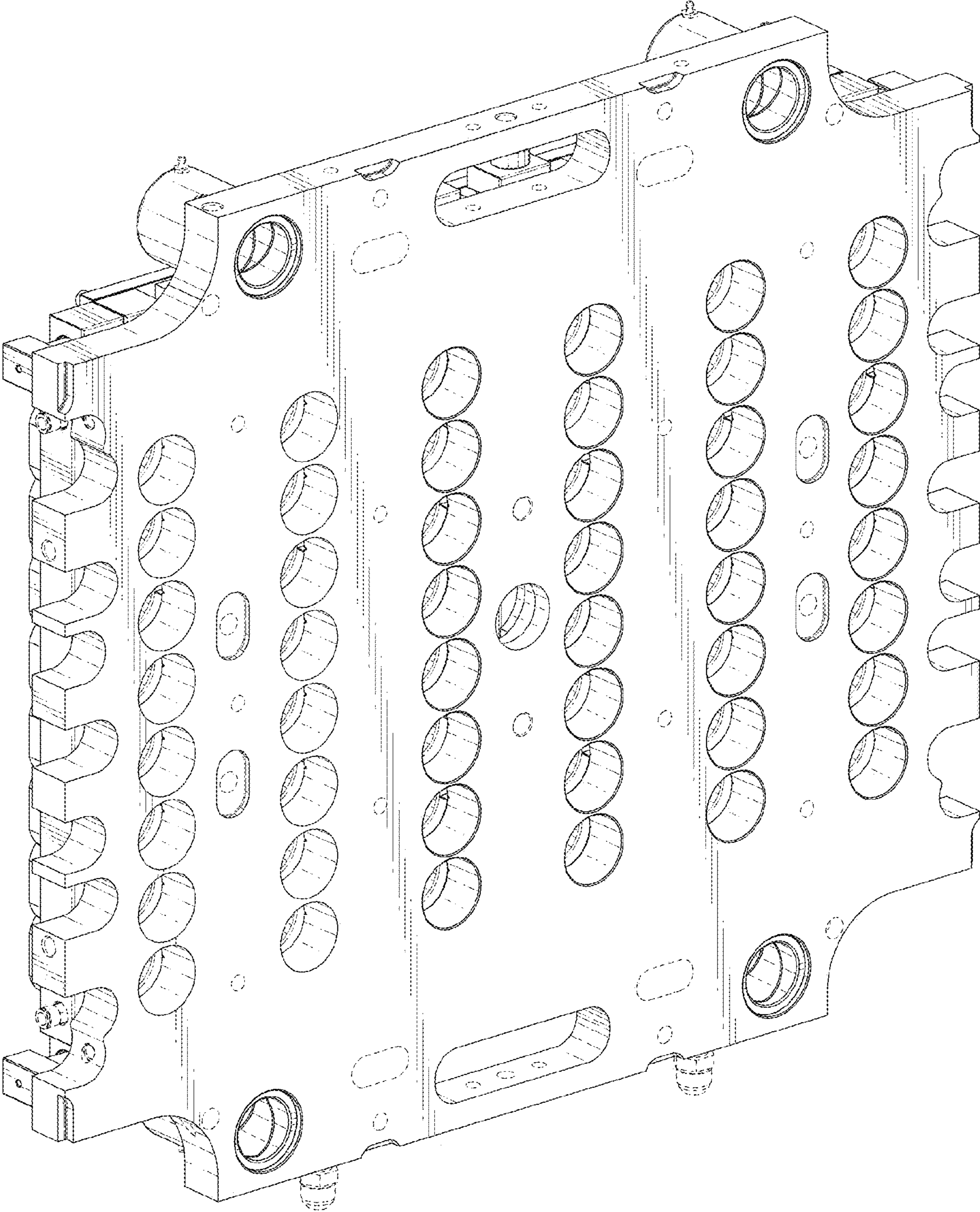


FIG. 8