



US00D958205S

(12) **United States Design Patent** (10) **Patent No.:** **US D958,205 S**
McCready (45) **Date of Patent:** **** Jul. 19, 2022**

- (54) **MOLDING MACHINE PART** 4,530,654 A * 7/1985 Rose B29C 45/2896
425/566
- (71) Applicant: **Husky Injection Molding Systems** 4,733,801 A 3/1988 Scammell
Ltd., Bolton (CA) 4,775,130 A 10/1988 Von Holdt
4,856,977 A 8/1989 Von Holdt
5,067,891 A * 11/1991 Julian B29C 49/06
425/533
- (72) Inventor: **Derek Robertson McCready,**
Mississauga (CA) D324,392 S * 3/1992 Wilhelm D15/136
5,232,718 A 8/1993 Miyazawa et al.
- (73) Assignee: **Husky Injection Molding Systems** D341,602 S * 11/1993 Faig D15/135
Ltd., Bolton (CA) 5,271,875 A 12/1993 Appleton et al.
5,312,243 A 5/1994 Mertz
5,443,381 A 8/1995 Gellert
5,466,147 A 11/1995 Appleton et al.
- (**) Term: **15 Years** D364,882 S * 12/1995 Junkers D15/199
5,494,433 A 2/1996 Gellert
- (21) Appl. No.: **29/779,447**
- (22) Filed: **Apr. 19, 2021** (Continued)

Related U.S. Application Data

(62) Division of application No. 35/508,427, filed on Jun. 4, 2019 (U.S. filing date under 35 U.S.C. 384), and having an international filing date of Jun. 4, 2019, now abandoned.

(51) **LOC (13) Cl.** **15-09**

(52) **U.S. Cl.**
USPC **D15/135**
CPC **B29C 45/33** (2013.01)

(58) **Field of Classification Search**
USPC D15/135-139; 65/260, 356, 357;
83/845; 205/70, 164-169; 249/78, 79;
407/42, 110, 115-117, 135, 146, 171,
407/181, 218, 253-261, 363, 451.9, 471,
407/542, 543, 547, 548, 552, 556, 577,
407/589-595; 264/51, 220, 221; 428/71
CPC B29C 45/7312; B29C 45/33; B29K
2105/253

See application file for complete search history.

(56) **References Cited**

U.S. PATENT DOCUMENTS

- 4,207,051 A 6/1980 Wright et al.
- 4,521,179 A * 6/1985 Gellert B29C 45/2896
425/548

FOREIGN PATENT DOCUMENTS

- CA 2741937 A1 1/2012
- CN 203765941 U 8/2014

(Continued)

Primary Examiner — Richard E Chilcot

(74) *Attorney, Agent, or Firm* — Banner & Witcoff, Ltd.

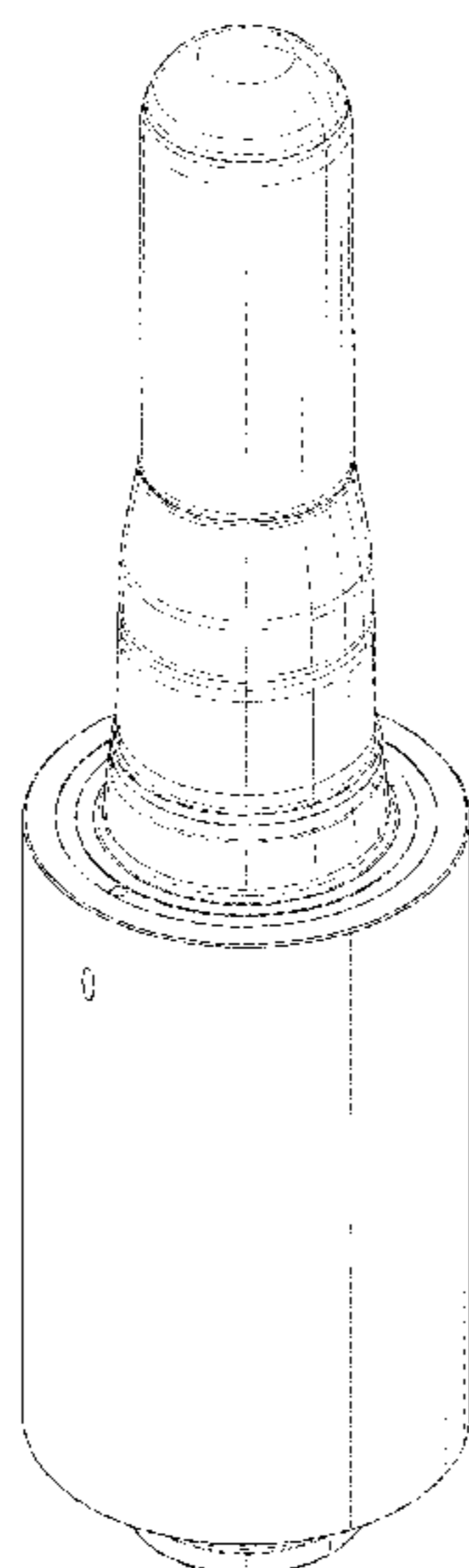
(57) **CLAIM**

The ornamental design for a molding machine part, as shown and described.

DESCRIPTION

FIG. 1 is a top perspective view of the claimed design for a molding machine part;
FIG. 2 is a front view thereof;
FIG. 3 is a back view thereof;
FIG. 4 is a right view thereof;
FIG. 5 is a left view thereof;
FIG. 6 is a top view thereof;
FIG. 7 is a bottom view thereof; and,
FIG. 8 is a bottom perspective view thereof.

1 Claim, 8 Drawing Sheets



(56)

References Cited

U.S. PATENT DOCUMENTS

5,562,519 A * 10/1996 Loewenton A63H 33/08
446/105

5,575,056 A 11/1996 Nakagawa

5,753,275 A 5/1998 Takahashi et al.

5,780,068 A 7/1998 Shinohara

6,015,283 A 1/2000 Mattia

6,017,209 A 1/2000 Gellert et al.

6,030,202 A 2/2000 Gellert et al.

6,099,785 A * 8/2000 Schweigert B29C 45/4421
249/59

6,168,740 B1 1/2001 Koch et al.

6,176,700 B1 1/2001 Gellert

6,314,000 B1 * 11/2001 Johnson H05K 9/0022
174/358

D460,467 S * 7/2002 Gross D15/135

D460,766 S * 7/2002 Gross D15/136

D460,976 S * 7/2002 Gross D15/136

6,569,370 B1 5/2003 Amin et al.

D519,530 S * 4/2006 Thysell D15/126

7,128,865 B2 * 10/2006 Martin B29C 45/40
264/318

D546,847 S * 7/2007 Teng D15/135

D546,848 S * 7/2007 Teng D15/135

7,361,009 B2 * 4/2008 Li B29C 45/7312
425/547

7,377,767 B2 * 5/2008 Dubuis B29C 45/7312
425/547

7,381,049 B2 * 6/2008 Li B29C 45/33
264/334

D595,319 S * 6/2009 Park D15/126

7,575,429 B2 8/2009 Mai et al.

7,645,132 B2 * 1/2010 McCready B29C 45/7312
425/192 R

7,762,802 B2 * 7/2010 Mai B29C 45/36
425/190

7,854,876 B2 * 12/2010 Gaiser B23P 19/04
264/297.2

D631,073 S * 1/2011 Papa D15/135

D682,651 S * 5/2013 McRoberts D8/70

D689,352 S * 9/2013 Cecil D8/29

D699,769 S * 2/2014 Witz D15/136

D699,770 S * 2/2014 Kmoch D15/136

D700,224 S * 2/2014 Kmoch D15/136

D714,368 S * 9/2014 Kmoch D15/136

D717,845 S * 11/2014 Wachsmann D15/135

D717,846 S * 11/2014 Wachsmann D15/135

9,004,906 B2 4/2015 Lausenhammer

D730,416 S * 5/2015 Jacovich D15/135

9,272,453 B1 3/2016 Keir et al.

9,608,362 B2 * 3/2017 Jelak B29C 45/03

D815,162 S * 4/2018 Sakaguchi D15/135

D815,671 S * 4/2018 Terabe D15/135

2001/0038163 A1 11/2001 Matysek

2002/0122841 A1 9/2002 Joseph

2002/0146483 A1 10/2002 Mai et al.

2004/0123640 A1 7/2004 Rooney

2004/0247736 A1 12/2004 Elliot

2005/0236729 A1 10/2005 Arnott

2006/0118999 A1 6/2006 Cooper et al.

2006/0283210 A1 12/2006 Dubuis et al.

2007/0092596 A1 4/2007 Li

2007/0212443 A1 9/2007 Li et al.

2008/0026239 A1 1/2008 Balboni et al.

2008/0268086 A1 10/2008 Kmoch et al.

2008/0268088 A1 10/2008 Kmoch et al.

2008/0268090 A1 10/2008 Kmoch et al.

2009/0020915 A1 1/2009 Mai et al.

2009/0022843 A1 1/2009 Mai et al.

2009/0022845 A1 1/2009 Mai et al.

2009/0155404 A1 6/2009 Mai

2009/0214694 A1 * 8/2009 Mai B29C 45/36
425/577

2010/0183763 A1 7/2010 Babin et al.

2012/0038076 A1 2/2012 Lausenhammer et al.

2013/0029004 A1 * 1/2013 Looije B29C 45/40
425/556

2013/0142902 A1 * 6/2013 Papa B29C 33/10
425/577

2013/0216643 A1 8/2013 Papa

2013/0236590 A1 * 9/2013 Jacovich B29C 49/56
425/541

2013/0243897 A1 9/2013 McCready et al.

2013/0243899 A1 9/2013 Babin et al.

2014/0010909 A1 1/2014 McCready

2015/0069662 A1 3/2015 Mai et al.

2015/0174792 A1 6/2015 Lausenhammer

2015/0360404 A1 12/2015 Kmoch et al.

2016/0059458 A1 3/2016 Keir et al.

2016/0193769 A1 7/2016 Rodinsky

2017/0001352 A1 1/2017 Kunz

2018/0162031 A1 6/2018 Mai

2019/0160719 A1 * 5/2019 Plumpton B29C 45/2711

FOREIGN PATENT DOCUMENTS

CN 204367306 U 6/2015

CN 205705102 U 11/2016

CN 106926417 A 7/2017

EP 0688656 A1 12/1995

EP 0743158 A1 11/1996

EP 2032329 A1 3/2009

FR 2817793 A1 6/2002

FR 2833510 A1 6/2003

GB 1035620 A 7/1966

JP 9029784 A 2/1997

KR 1423162 B1 7/2014

WO 1989000911 A1 2/1989

WO 1992000178 A1 1/1992

WO 2007101351 A1 9/2007

WO 2009012559 A1 1/2009

WO 2009103146 A1 8/2009

WO 2012019304 A1 2/2012

WO 2012114177 A1 8/2012

WO 2014186884 A1 11/2014

WO 2017215801 A1 12/2017

WO 2018023249 A1 2/2018

WO 2018098564 A1 6/2018

WO 2018107273 A1 6/2018

WO 2018232499 A1 12/2018

* cited by examiner

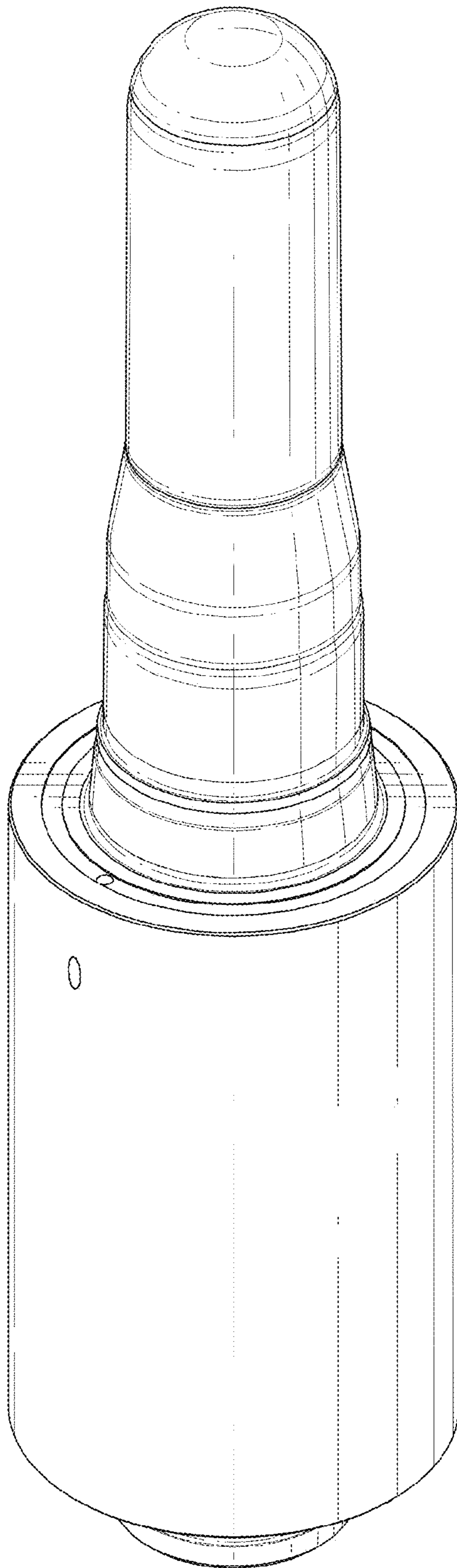


FIG. 1

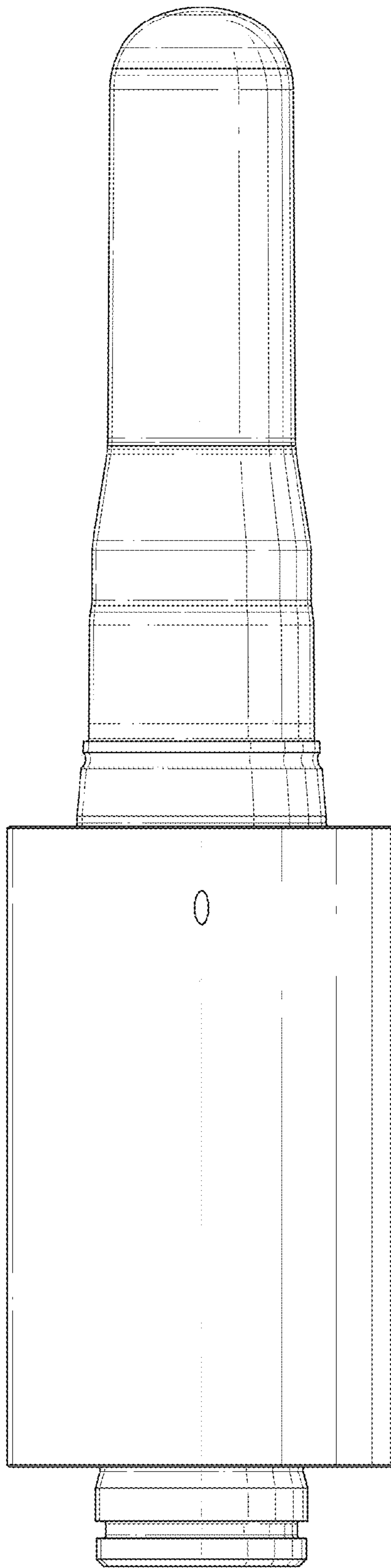


FIG. 2

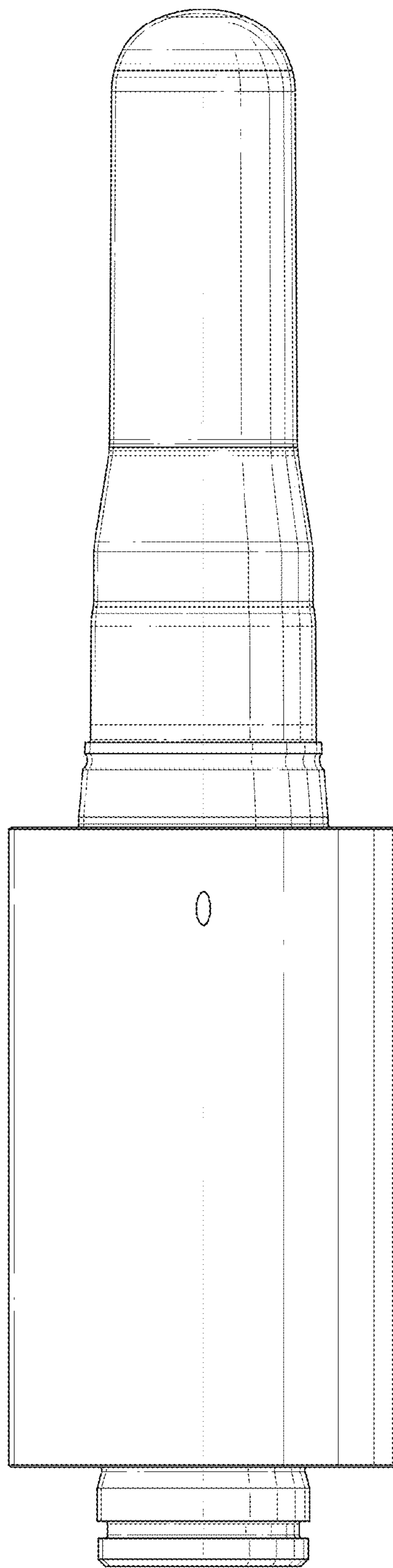


FIG. 3

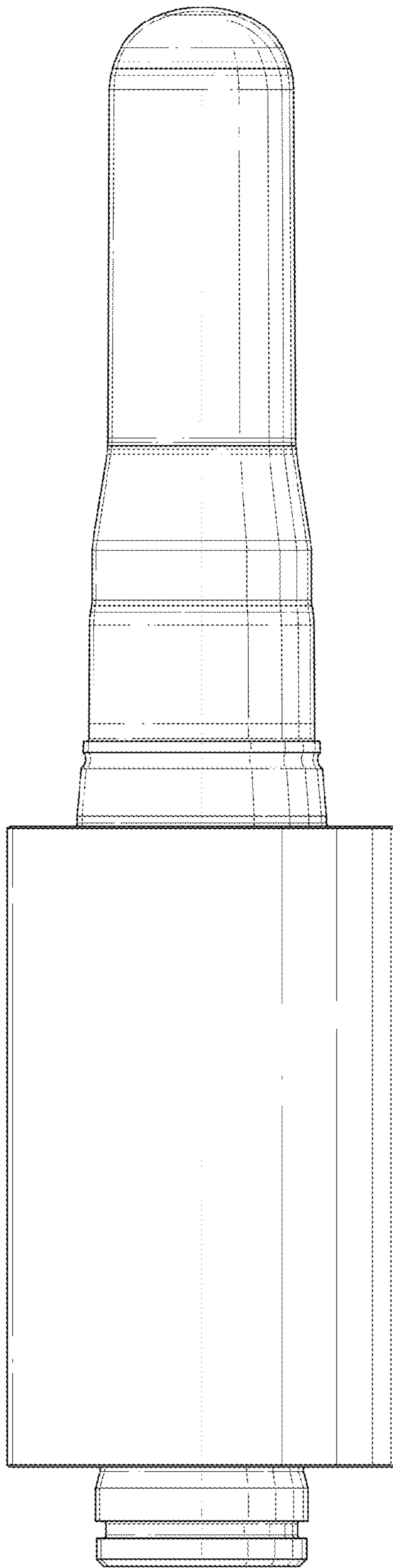


FIG. 4

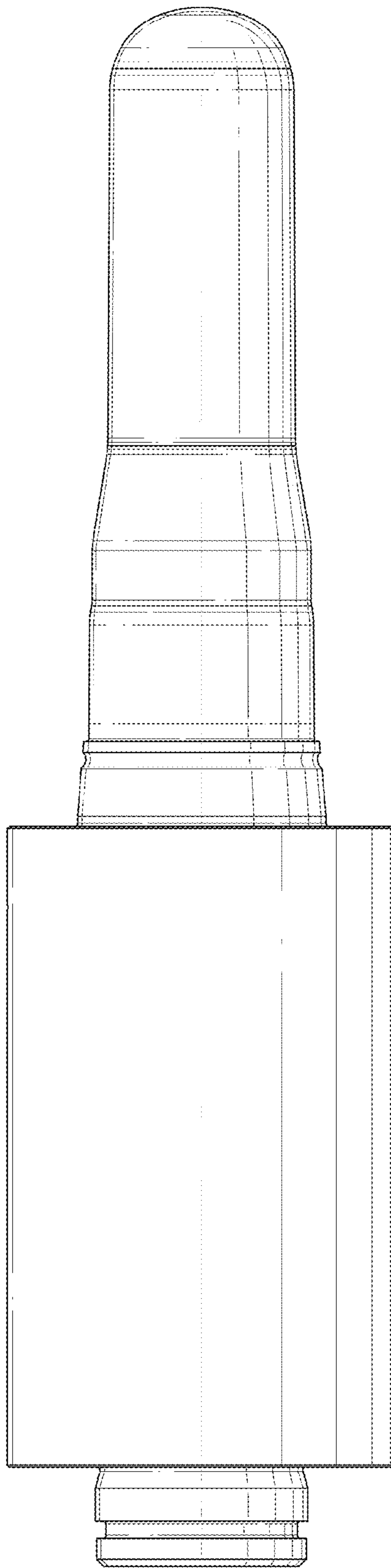


FIG. 5

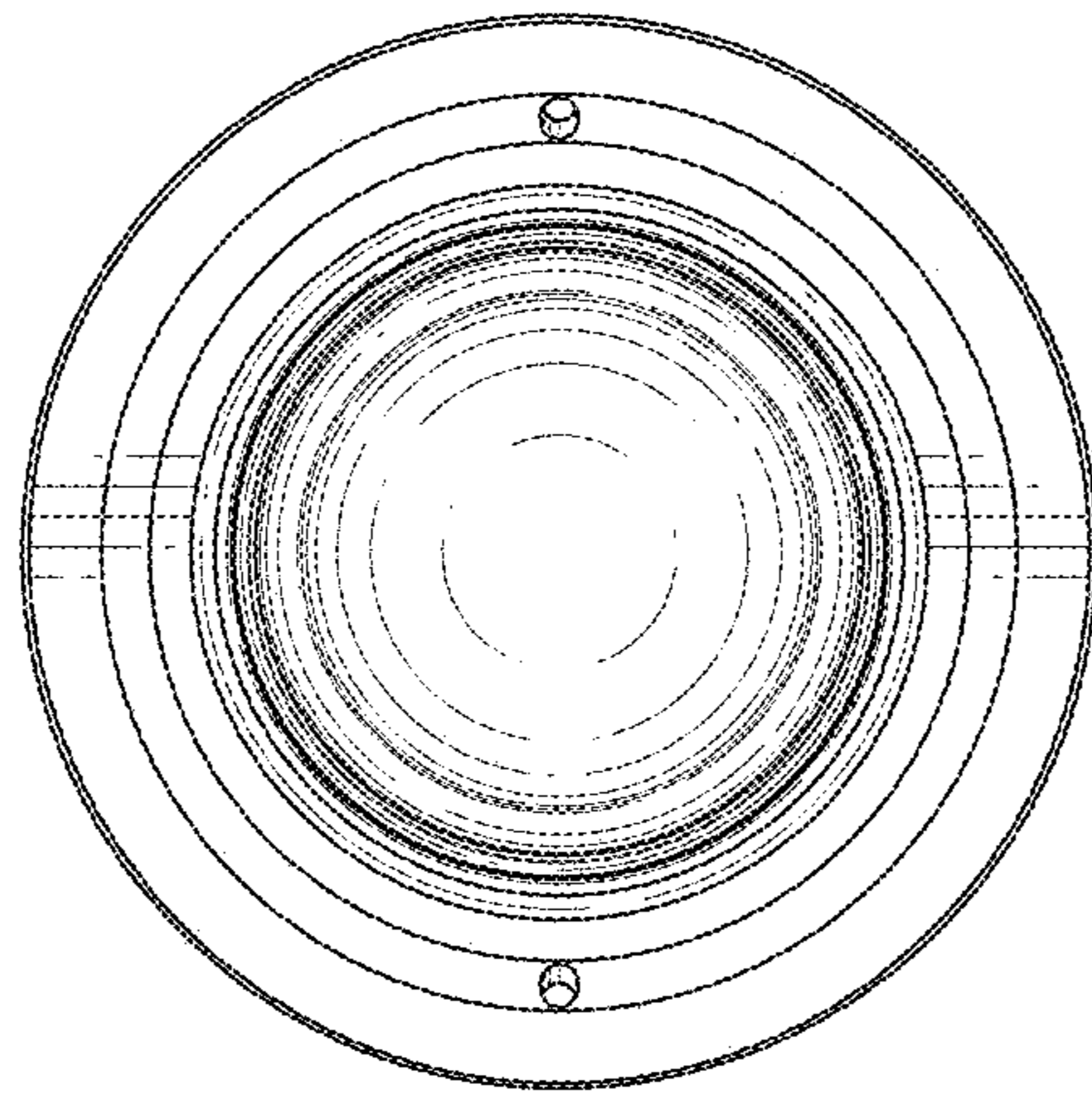


FIG. 6

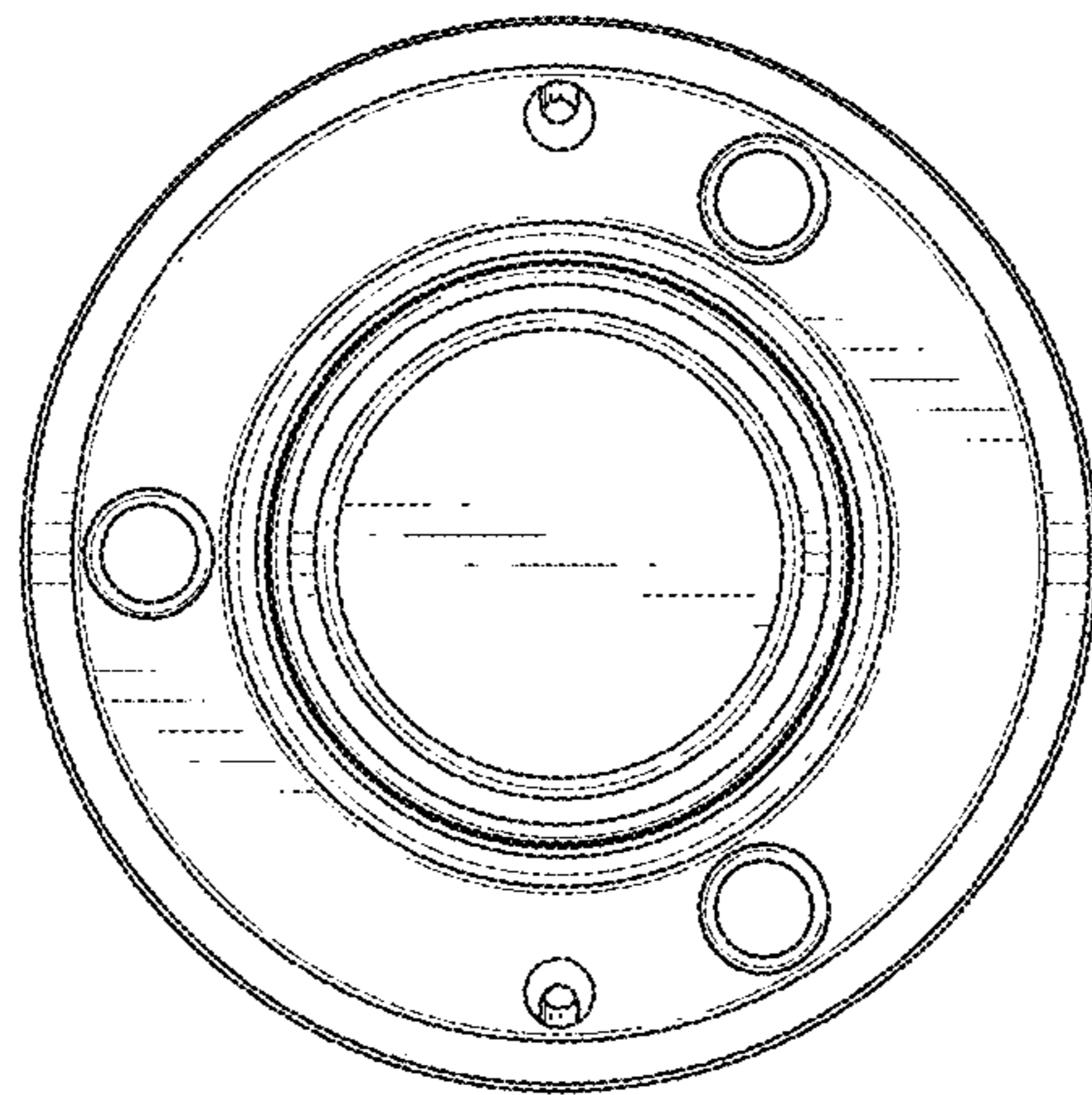


FIG. 7

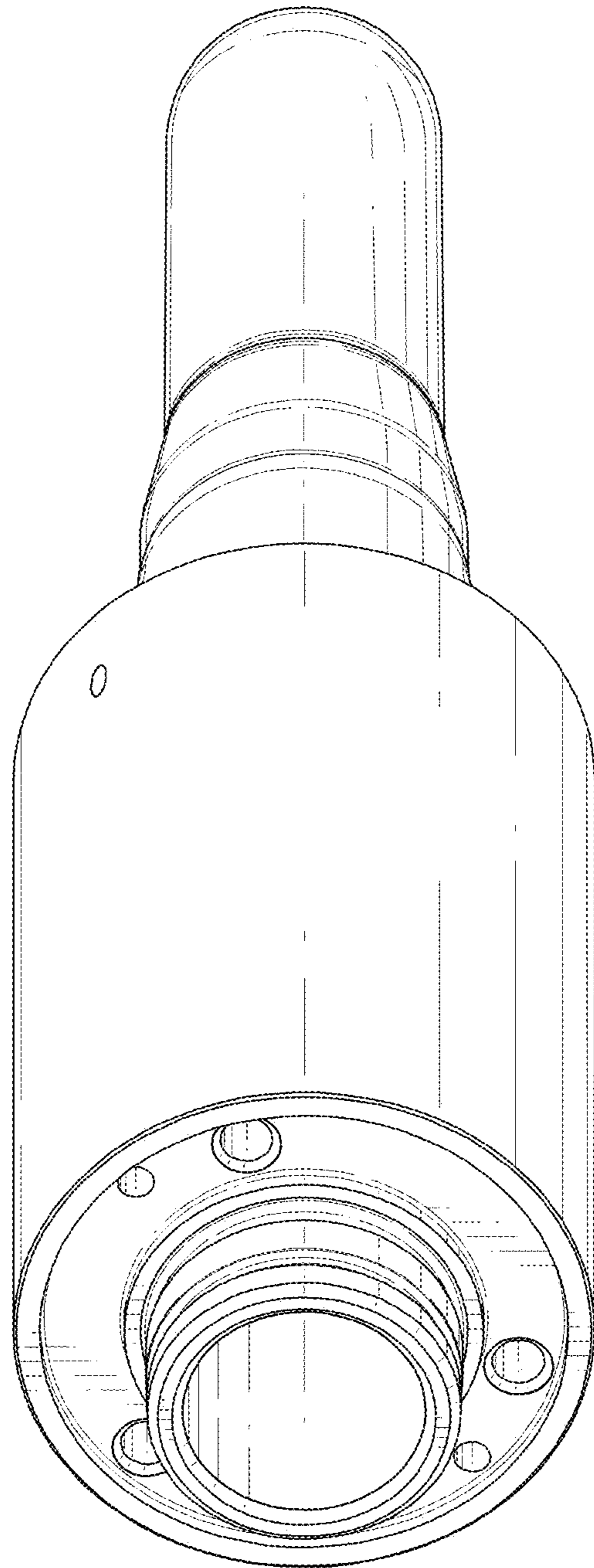


FIG. 8