



US00D958204S

(12) **United States Design Patent**  
**Han et al.**

(10) **Patent No.:** **US D958,204 S**  
(45) **Date of Patent:** **\*\* Jul. 19, 2022**

(54) **DISPENSER FOR REFRIGERATOR**

(71) Applicant: **LG ELECTRONICS INC.**, Seoul (KR)

(72) Inventors: **Sungkyong Han**, Seoul (KR); **Kyukwan Choi**, Seoul (KR); **Sanghun Kim**, Seoul (KR); **Minsub Kim**, Seoul (KR); **Jihyun Lee**, Seoul (KR); **Yezo Yun**, Seoul (KR)

(73) Assignee: **LG ELECTRONICS INC.**, Seoul (KR)

(\*\*) Term: **15 Years**

(21) Appl. No.: **29/787,185**

(22) Filed: **Jun. 4, 2021**

(30) **Foreign Application Priority Data**

Dec. 18, 2020 (KR) ..... 30-2020-0063318

(51) **LOC (13) Cl.** ..... **15-07**

(52) **U.S. Cl.**  
USPC ..... **D15/89**

(58) **Field of Classification Search**  
USPC ..... D15/79-91  
CPC ..... F25D 2323/021; F25D 2323/024; F25D 2323/121; F25D 2323/122; F25D 29/00; F25D 27/005; F25D 29/005; F25D 17/042; F25D 2325/02; F25D 11/00; F25D 11/02; F25D 11/025; F25D 23/00; F25D 23/02; F25D 23/04; F25D 23/12; F25D 23/028; F25D 25/02; F25D 25/021; F25D 25/022; F25D 25/024; F25D 25/025; A47F 3/04; A47F 3/0404  
See application file for complete search history.

(56) **References Cited**

**U.S. PATENT DOCUMENTS**

D379,095 S \* 5/1997 Sparks ..... D15/85  
D517,100 S \* 3/2006 Seok ..... D15/85

D568,343 S \* 5/2008 Suh ..... D15/85  
D569,397 S \* 5/2008 Kim ..... D15/85  
D601,175 S \* 9/2009 Staud ..... D15/85  
D625,343 S \* 10/2010 Seo ..... D15/85  
D639,314 S \* 6/2011 Yang ..... D15/85  
D699,767 S \* 2/2014 Yoon-jung ..... D15/85  
D701,539 S \* 3/2014 Saejin ..... D15/85

(Continued)

**OTHER PUBLICATIONS**

LG Electronics, LG LRSXS2706S 27.2 Cu Ft Side-By-Side Refrigerator, (site visited Mar. 15, 2022), Brand Mart USA website, URL:<<https://www.brandsmartusa.com/lg/250936/27-2-cuft-side-by-side-refrigerator-in-stainless-steel-with-smooth-touch-ice-dispenser.html>> (Year: 2022).\*

(Continued)

*Primary Examiner* — Calvin E Vansant

*Assistant Examiner* — Mark T. Philipps

(74) *Attorney, Agent, or Firm* — Birch, Stewart, Kolasch & Birch, LLP

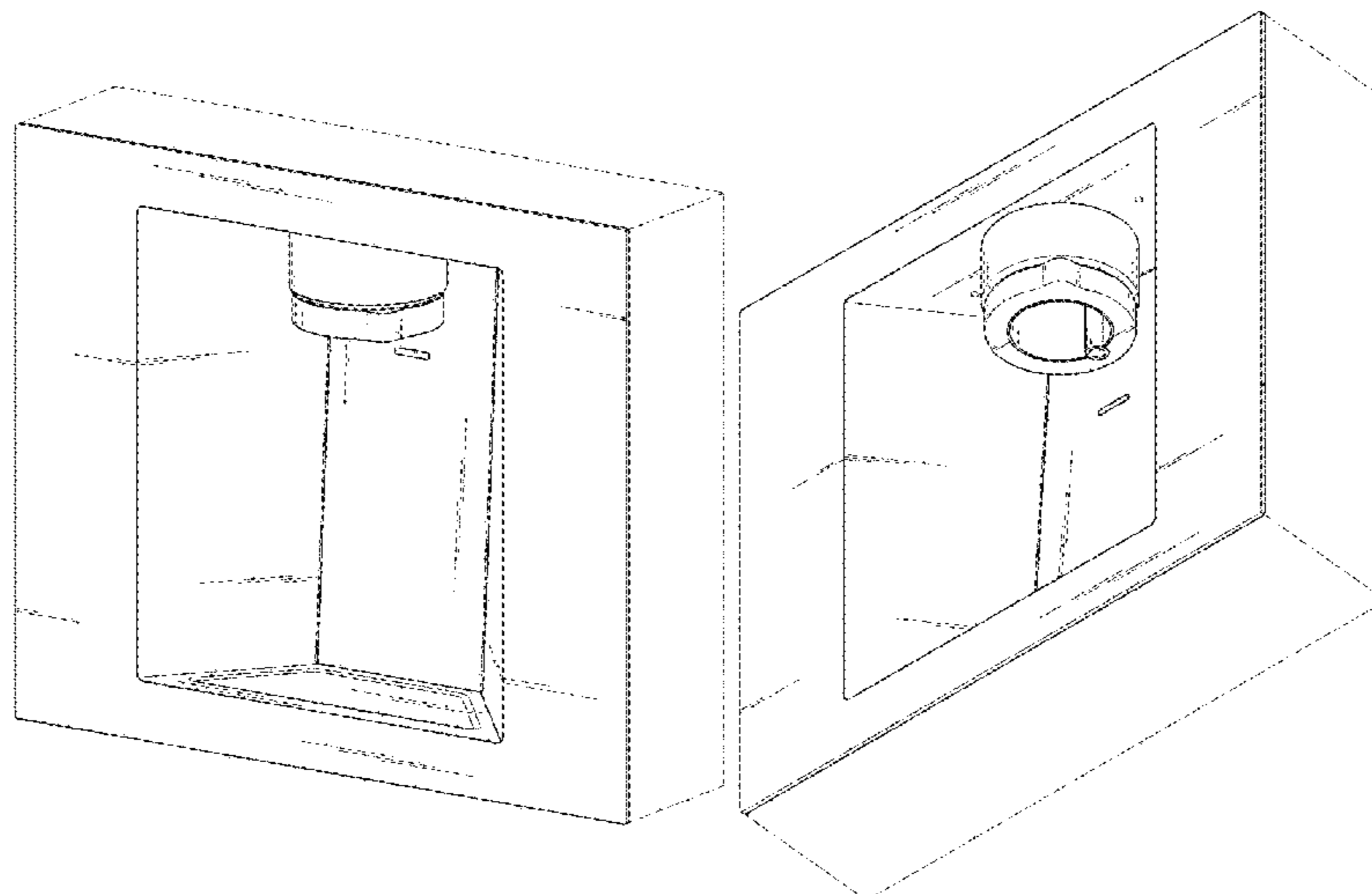
(57) **CLAIM**

We claim the ornamental design for a dispenser for refrigerator, as shown and described.

**DESCRIPTION**

FIG. 1 is a front perspective view of a dispenser for refrigerator showing a new design;  
FIG. 2 is a bottom perspective view thereof;  
FIG. 3 is a front view thereof;  
FIG. 4 is a rear view thereof;  
FIG. 5 is a left-side elevation view thereof;  
FIG. 6 is a right-side elevation view thereof;  
FIG. 7 is a top plan view thereof; and,  
FIG. 8 is a bottom plan view thereof.  
The broken lines represent portions of the dispenser for refrigerator that form no part of the claimed design.

**1 Claim, 8 Drawing Sheets**



(56)

References Cited

U.S. PATENT DOCUMENTS

D702,266 S \* 4/2014 Mihyun ..... D15/85  
 D711,942 S \* 8/2014 Jeon ..... D15/89  
 D714,363 S \* 9/2014 Jeon ..... D15/86  
 D715,336 S \* 10/2014 Sin ..... D15/89  
 D734,373 S \* 7/2015 Hwang ..... D15/86  
 D735,781 S \* 8/2015 Hwang ..... D15/81  
 D741,380 S \* 10/2015 Ogg ..... D15/86  
 D759,131 S \* 6/2016 Ogg ..... D15/89  
 D761,891 S \* 7/2016 Seo ..... D15/89  
 D767,648 S \* 9/2016 Shoemaker ..... D15/86  
 D771,159 S \* 11/2016 Jeon ..... D15/89  
 D781,934 S \* 3/2017 Shrader ..... D15/85  
 D786,948 S \* 5/2017 Lee ..... D15/86  
 D788,187 S \* 5/2017 Kim ..... D15/84  
 D788,828 S \* 6/2017 Seo ..... D15/86  
 D791,199 S \* 7/2017 Kim ..... D15/86  
 D794,092 S \* 8/2017 Lee ..... D15/89  
 D795,312 S \* 8/2017 Shoemaker ..... D15/89  
 D825,623 S \* 8/2018 Jeon ..... D15/89  
 D827,683 S \* 9/2018 Jeon ..... D15/85

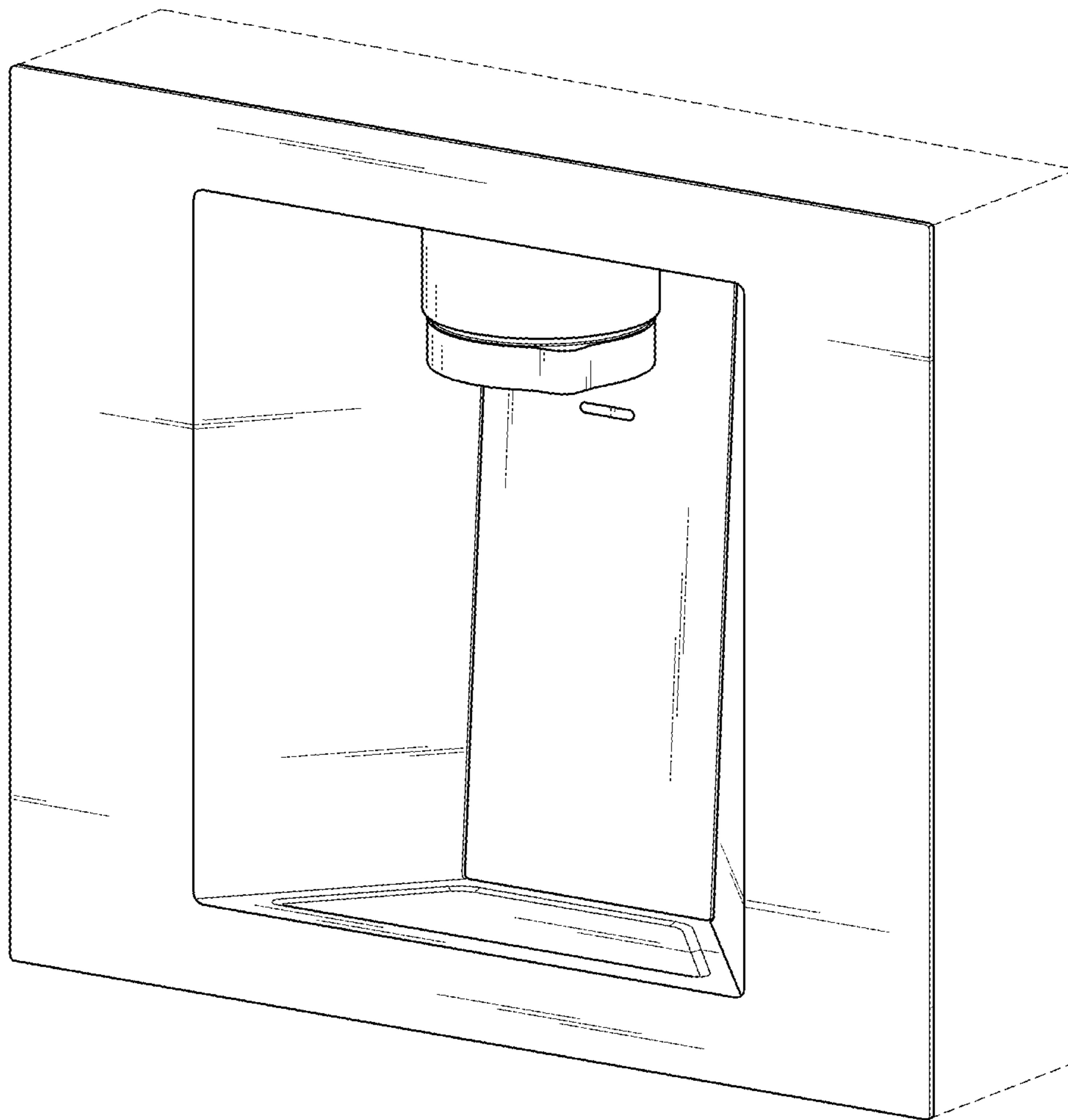
D836,683 S \* 12/2018 Jeon ..... D15/86  
 D841,057 S \* 2/2019 Kim ..... D15/86  
 D841,058 S \* 2/2019 Lee ..... D15/86  
 10,342,363 B2 \* 7/2019 Park ..... F25D 31/005  
 D888,110 S \* 6/2020 Lee ..... D15/85  
 10,684,068 B1 \* 6/2020 Shi ..... F25D 23/028  
 D895,693 S \* 9/2020 Joo ..... F25D 25/025  
 D15/85  
 D921,064 S \* 6/2021 Lee ..... D15/89  
 D926,829 S \* 8/2021 Kim ..... F25D 25/025  
 D15/85  
 2021/0148627 A1 \* 5/2021 Jeong ..... F25D 17/08

OTHER PUBLICATIONS

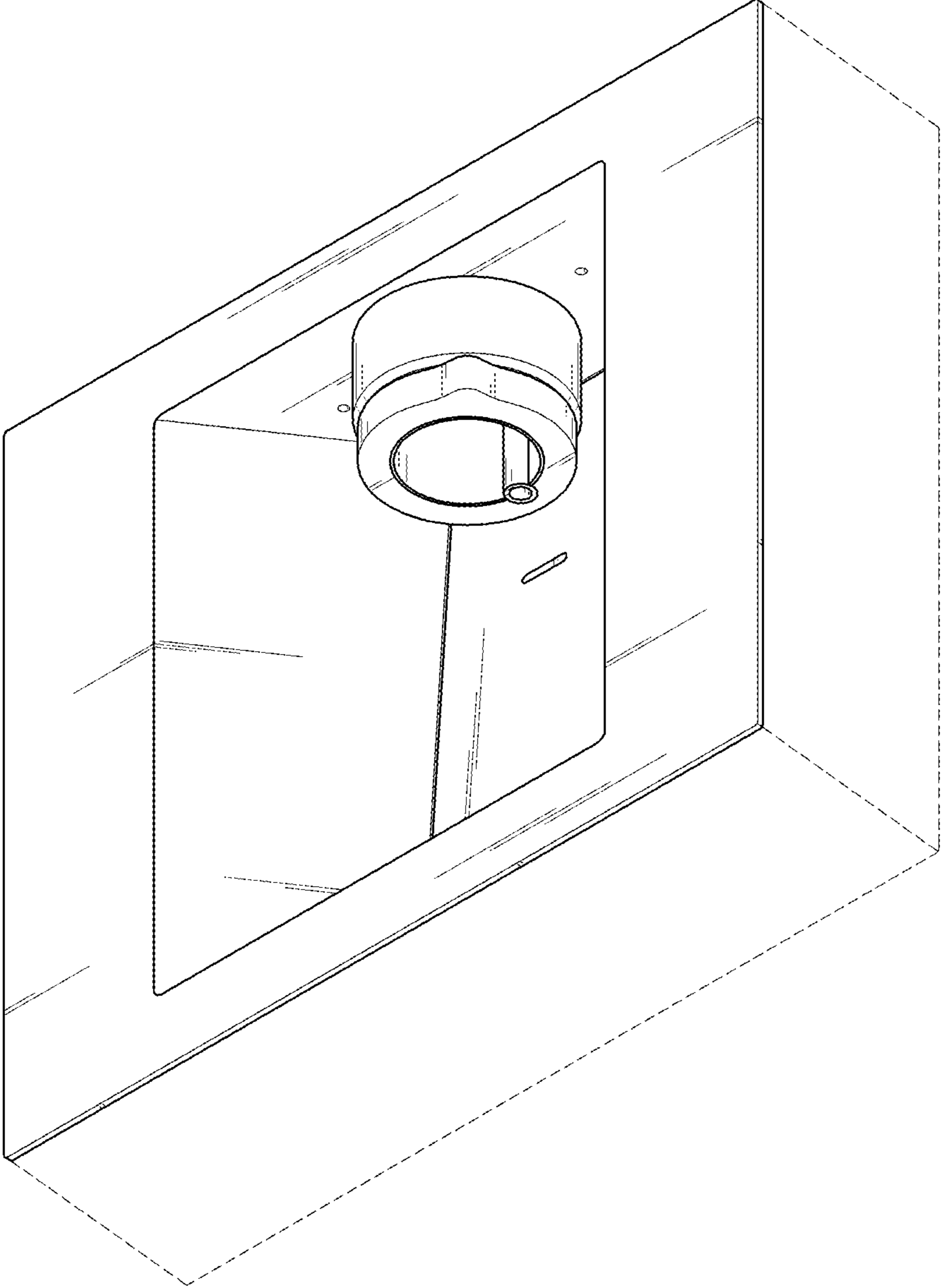
Samsung, RF27T5501SR/AA, (site visited Mar. 15, 2022), Samsung Website, URL:<<https://www.samsung.com/us/home-appliances/refrigerators/3-door-french-door/26-5-cu--ft--large-capacity-3-door-french-door-refrigerator-with-family-hub-and-external-water---ice-dispenser-in-stainless-steel-rf27t5501sr-aa/>> (Year: 2022).\*

\* cited by examiner

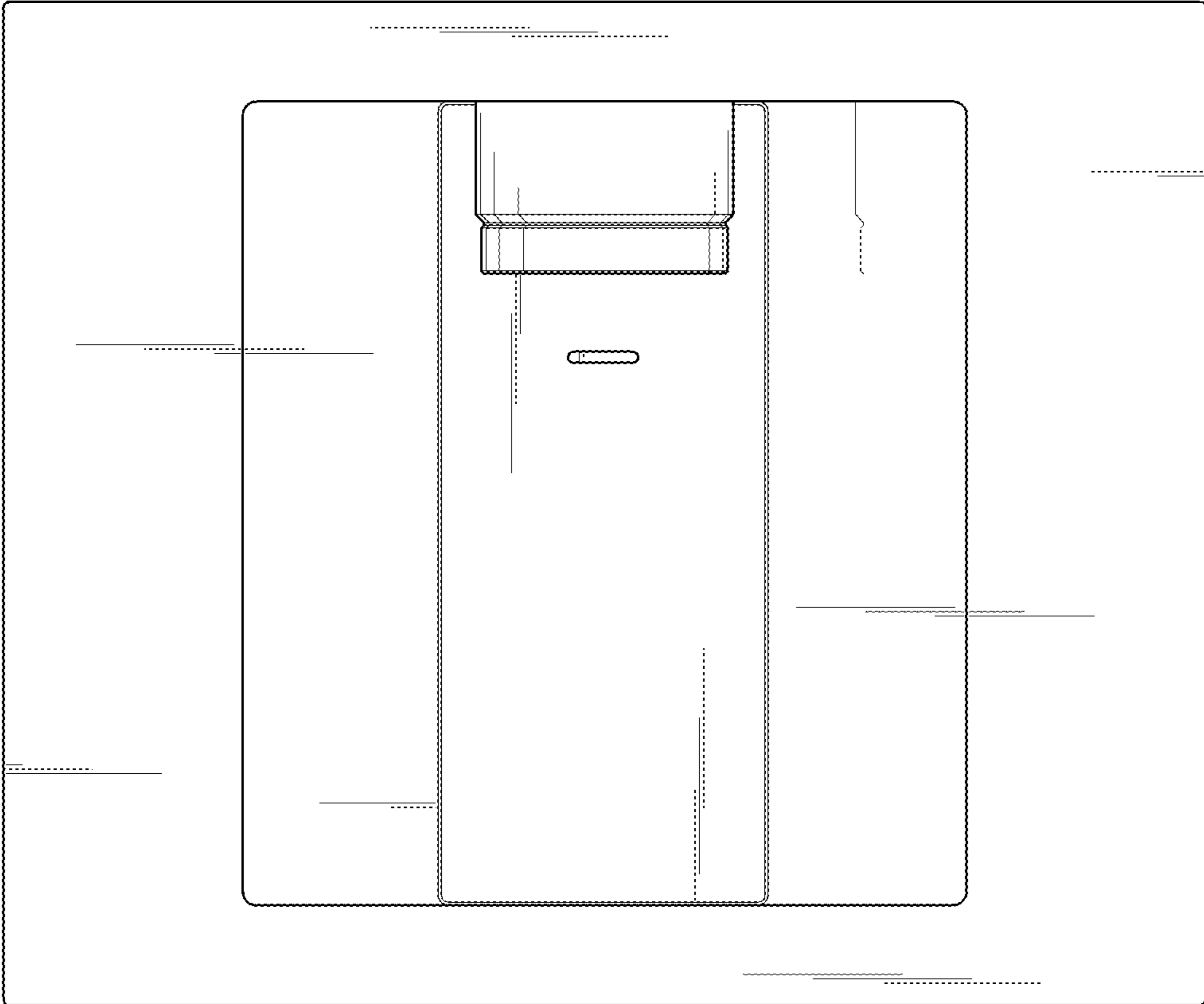
*FIG. 1*



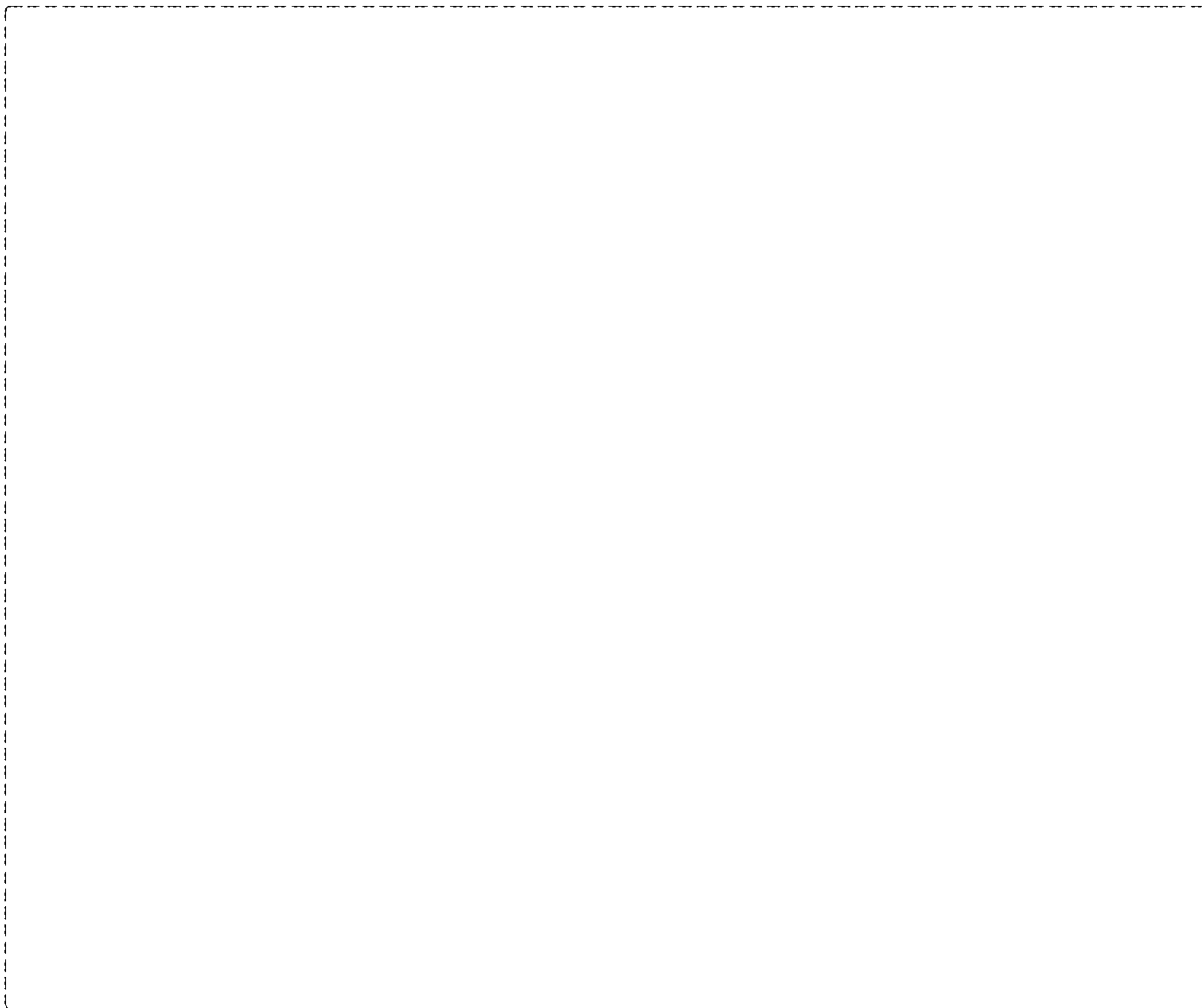
*FIG. 2*



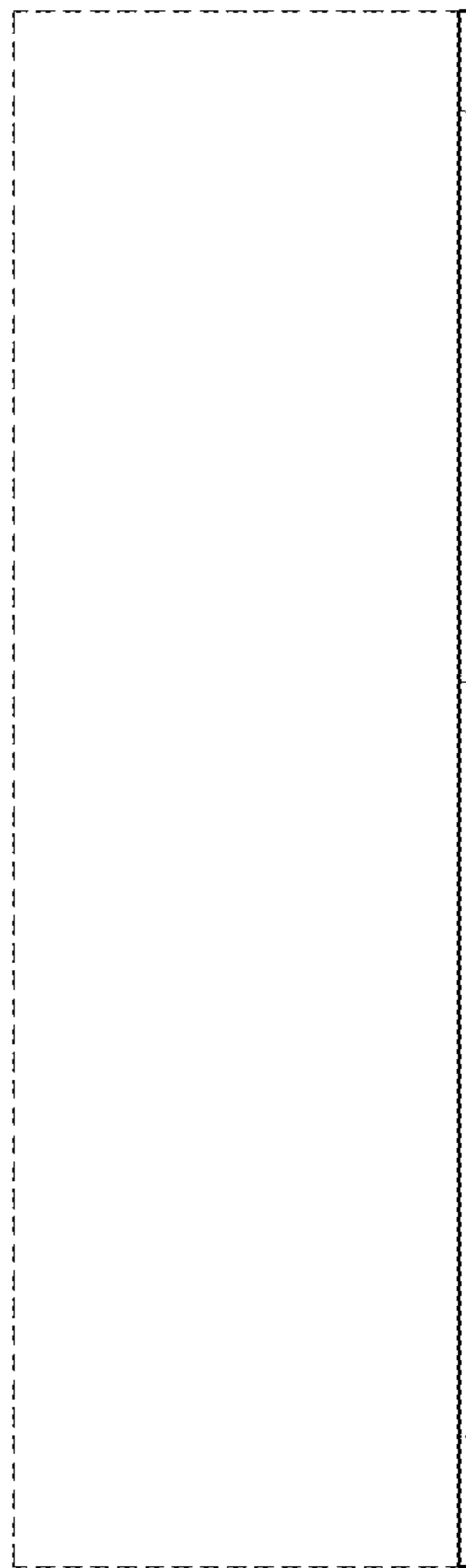
*FIG. 3*



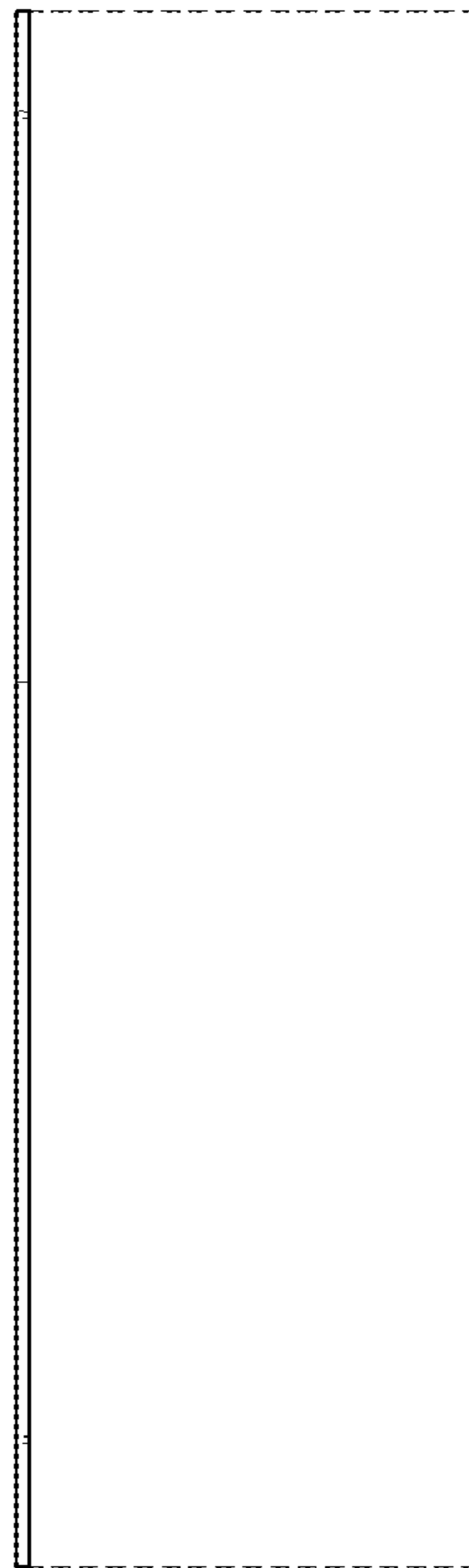
*FIG. 4*



*FIG. 5*

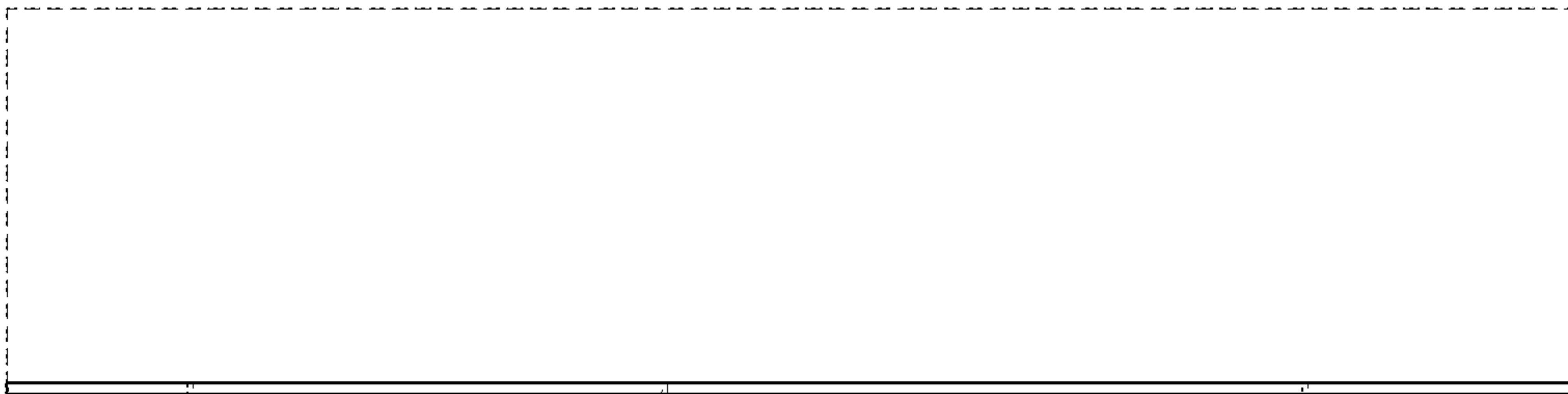


*FIG. 6*





*FIG. 7*



*FIG. 8*

