



US00D958203S

(12) **United States Design Patent**  
**Tang**

(10) **Patent No.:** **US D958,203 S**  
(45) **Date of Patent:** **\*\* Jul. 19, 2022**

(54) **PORTABLE REFRIGERATOR**

(71) Applicant: **ACOSOLAR INC.**, Walnut, CA (US)

(72) Inventor: **Longhua Tang**, Walnut, CA (US)

(\*\*) Term: **15 Years**

(21) Appl. No.: **29/736,901**

(22) Filed: **Jun. 3, 2020**

**Related U.S. Application Data**

(63) Continuation-in-part of application No. 29/643,138, filed on Apr. 4, 2018.

(51) **LOC (13) Cl.** ..... **15-07**

(52) **U.S. Cl.**  
USPC ..... **D15/83**

(58) **Field of Classification Search**

USPC ..... D15/79, 80, 81, 82, 83, 84, 85, 86, 87,  
D15/88, 89, 90, 91; D6/657, 659;  
D3/272, 273, 274, 304, 307; D14/214,  
D14/242; D7/603, 604, 605, 607, 608  
CPC ..... F25C 2400/10; F25D 2400/10; F25D  
2400/12; F25D 2400/14; F25D 2400/18;  
G05B 2219/2654; G09F 23/0058; Y10S  
292/71

See application file for complete search history.

(56) **References Cited**

**U.S. PATENT DOCUMENTS**

4,326,383 A \* 4/1982 Reed ..... F25B 21/02  
62/3.62  
D328,221 S \* 7/1992 Piccarillo ..... 280/47.26  
D334,868 S \* 4/1993 Lau Woon ..... D14/161  
D429,606 S \* 8/2000 Israel ..... D7/605  
D480,276 S \* 10/2003 Duart ..... D7/605  
D497,783 S \* 11/2004 Krieger ..... D7/605  
D516,099 S \* 2/2006 Maruyama ..... D15/83  
7,143,601 B1 \* 12/2006 Jimenez ..... F25D 23/12  
62/457.7  
D547,617 S \* 7/2007 Jones ..... D7/605

D651,859 S \* 1/2012 Blake ..... D7/605  
D674,245 S \* 1/2013 Williams, Jr. .... D7/605  
D792,486 S \* 7/2017 Li ..... D15/81  
9,726,424 B1 \* 8/2017 Sandberg ..... F21V 23/0414  
D802,630 S \* 11/2017 Li ..... D15/81  
D821,665 S \* 6/2018 Bramwell ..... D30/199  
D828,408 S \* 9/2018 Huang ..... D15/81  
D850,217 S \* 6/2019 Kittel, III ..... D7/605  
D860,646 S \* 9/2019 Thompson ..... D3/274  
D869,244 S \* 12/2019 Ellison ..... D7/605

(Continued)

**OTHER PUBLICATIONS**

“LiONCoolerX40A Battery Power Solar Fridge Freezer with Solar/AC/Car Rechargeable Battery, App Control, 6" Large Wheels” [online], ACOPOWER. [Product first available on Feb. 11, 2019], Retrieved from the Internet: <<https://www.amazon.com/LiONCooler-52-Quart-Charging-Compressor-XA-Replaceable/dp/B07NMHHKRR>>.\*

*Primary Examiner* — Mojtaba Tehrani

(74) *Attorney, Agent, or Firm* — Tsz Lung Yeung

(57) **CLAIM**

The ornamental design for a portable refrigerator, as shown and described.

**DESCRIPTION**

FIG. 1 is a perspective view of a portable refrigerator showing my new design;

FIG. 2 is a front view thereof;

FIG. 3 is a rear view thereof;

FIG. 4 is a left side view thereof;

FIG. 5 is a right side view thereof;

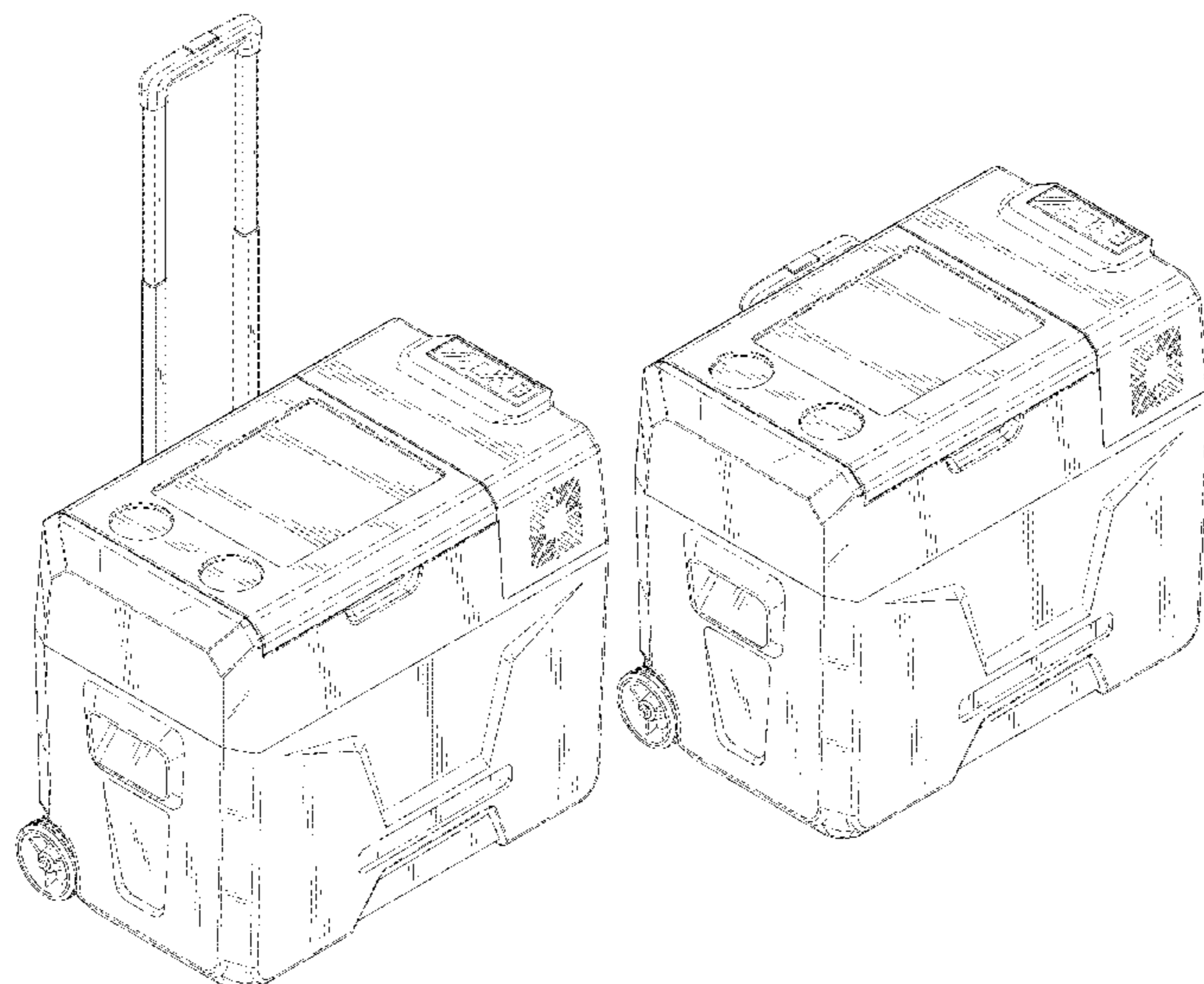
FIG. 6 is a top view thereof;

FIG. 7 is a bottom view thereof; and,

FIG. 8 is a perspective view thereof, showing the handle in retracted position.

The broken lines depict portions of the portable refrigerator that form no part of the claimed design.

**1 Claim, 8 Drawing Sheets**



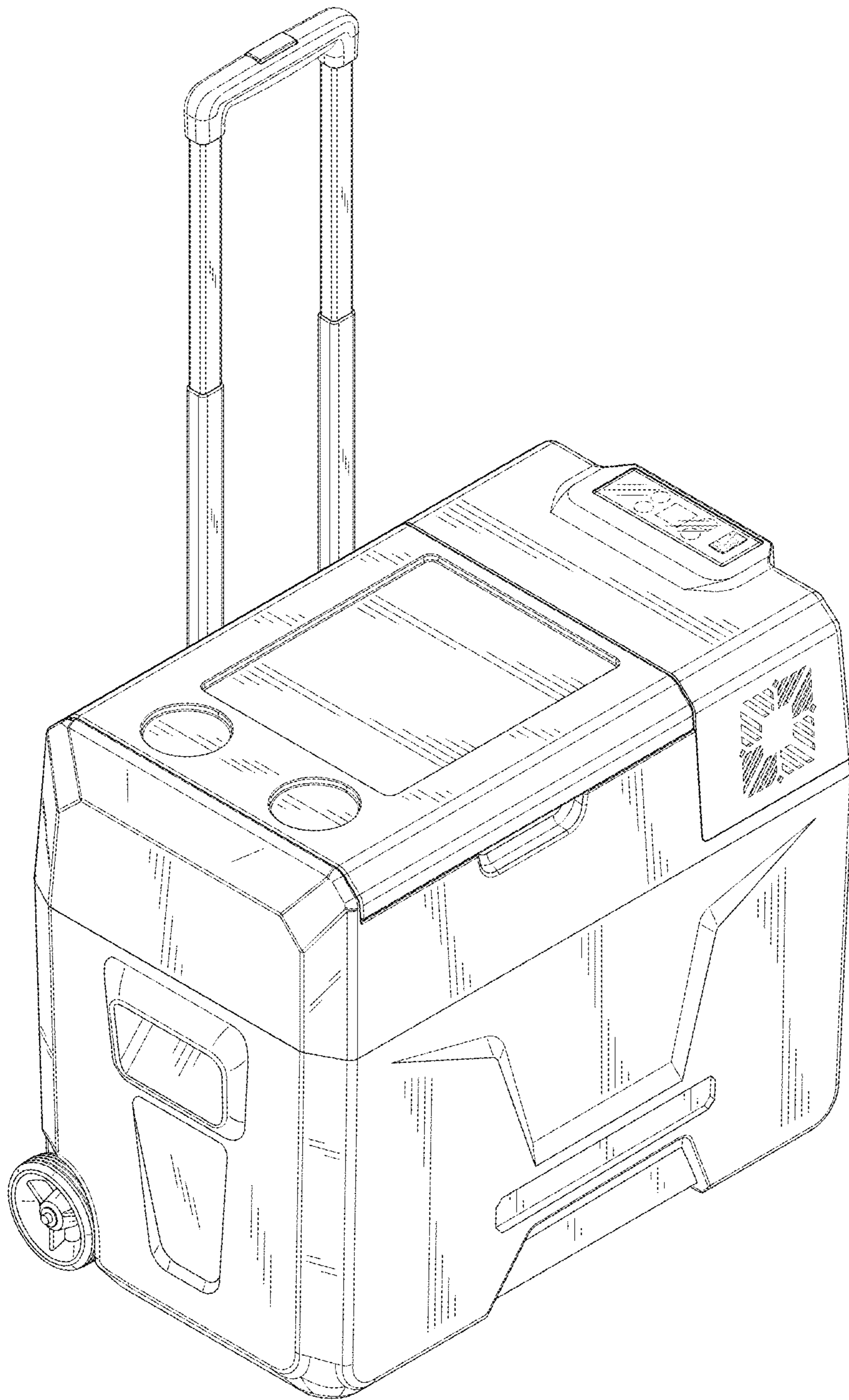
(56)

**References Cited**

U.S. PATENT DOCUMENTS

D901,986	S *	11/2020	Meda .....	D7/605
D905,129	S *	12/2020	Deng .....	D15/81
D906,377	S *	12/2020	Tang .....	D15/79
D922,148	S *	6/2021	Yang .....	D7/605
D922,454	S *	6/2021	Tang .....	D15/79
2005/0081558	A1 *	4/2005	Yoshida .....	F25D 11/003
				62/457.9
2008/0031483	A1 *	2/2008	Hill .....	H04R 1/028
				381/334
2017/0043800	A1 *	2/2017	Chaloux .....	B62B 1/12
2017/0043906	A1 *	2/2017	Ravenscraft, Jr. ....	B62B 1/10
2017/0183210	A1 *	6/2017	Wyatt .....	B67D 1/0864
2018/0100682	A1 *	4/2018	Nilsen .....	F25D 16/00
2018/0141718	A1 *	5/2018	Ahlstrom .....	B65D 25/2841
2019/0128589	A1 *	5/2019	Adams .....	F25D 17/06
2019/0308795	A1 *	10/2019	Juneau .....	B65D 25/34
2020/0132356	A1 *	4/2020	Tang .....	F25D 11/00
2021/0018250	A1 *	1/2021	Tang .....	F25B 27/00

\* cited by examiner



*FIG. 1*

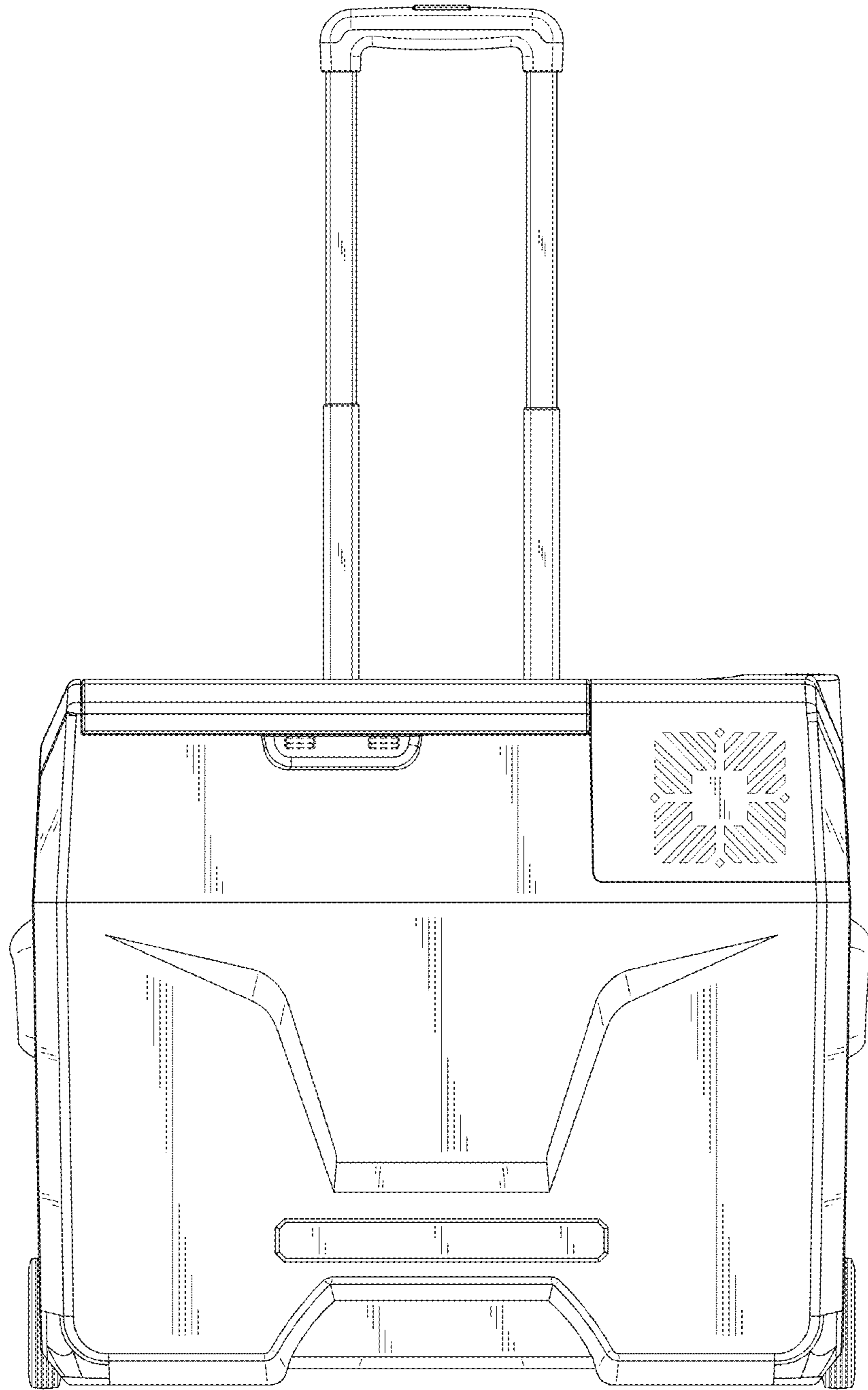


FIG.2

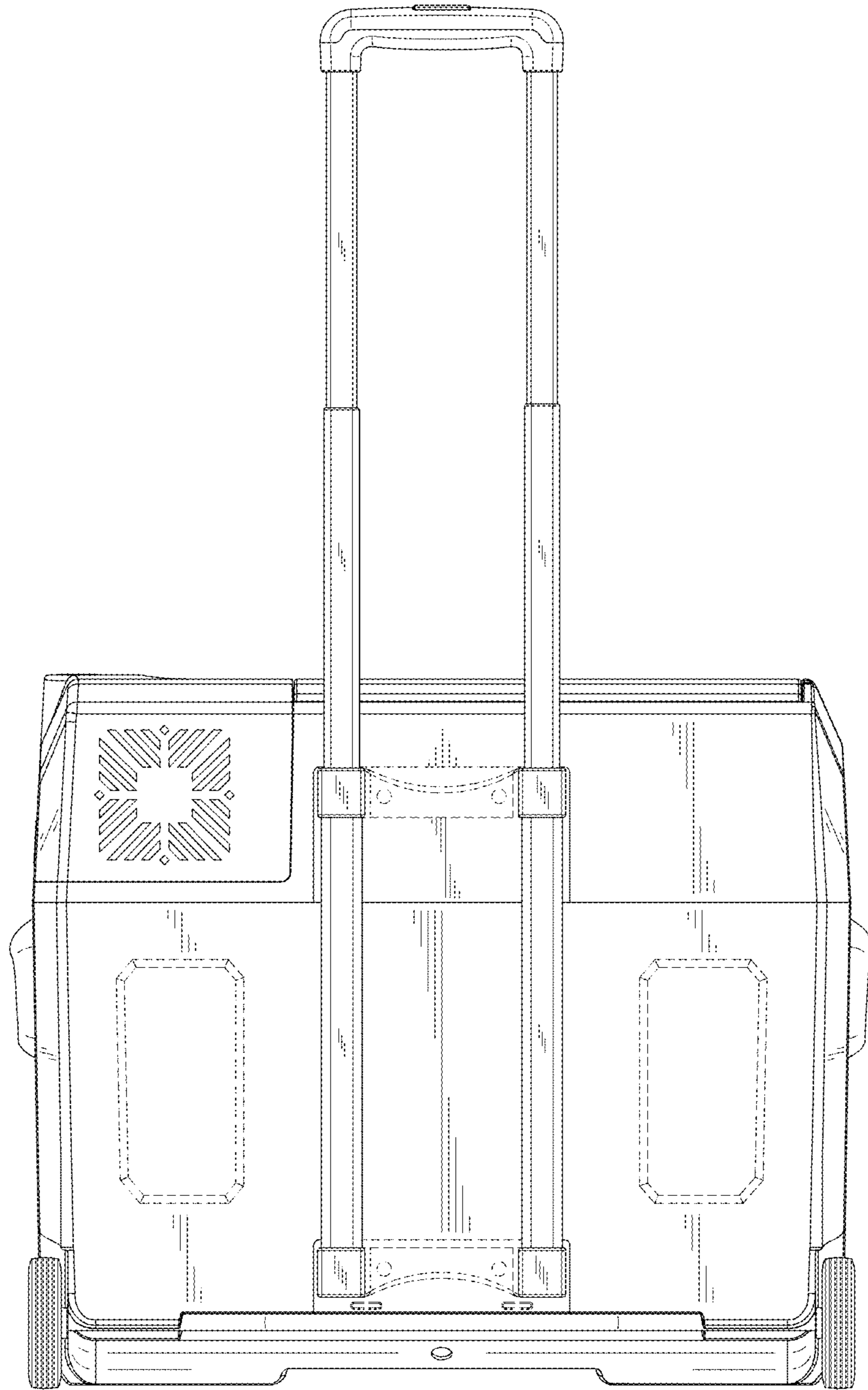


FIG. 3

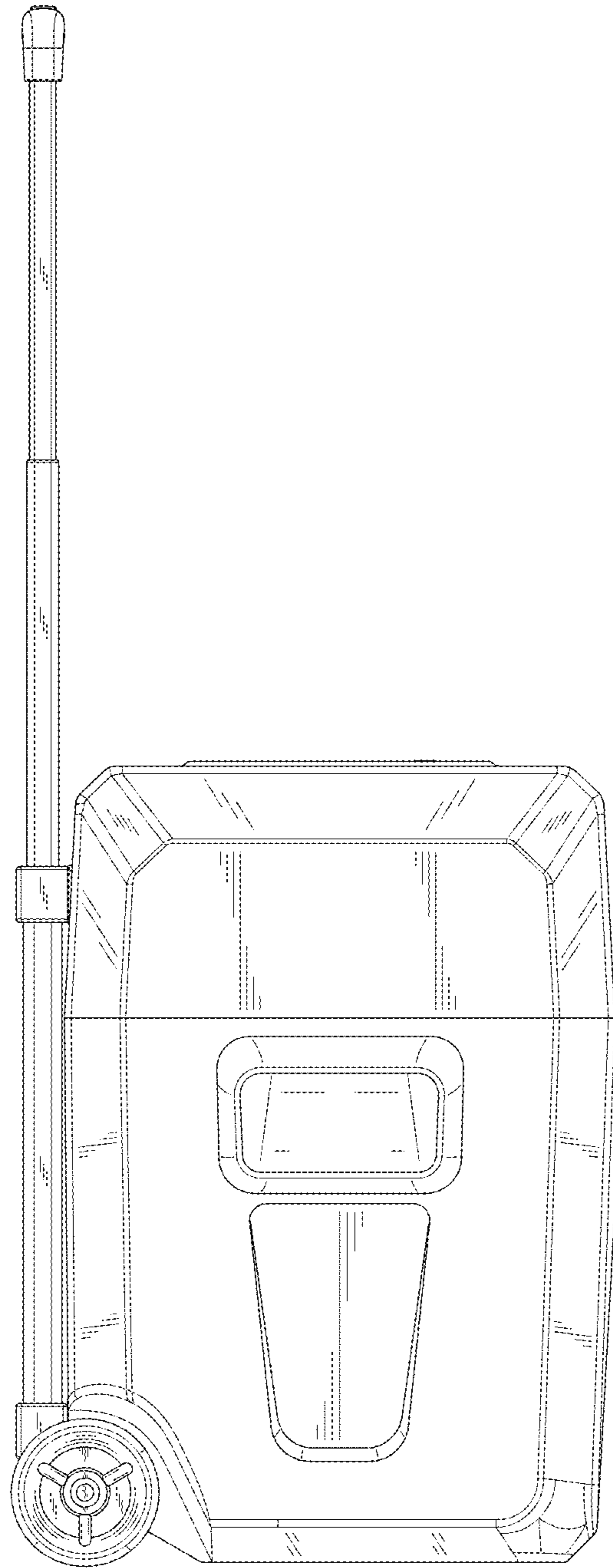
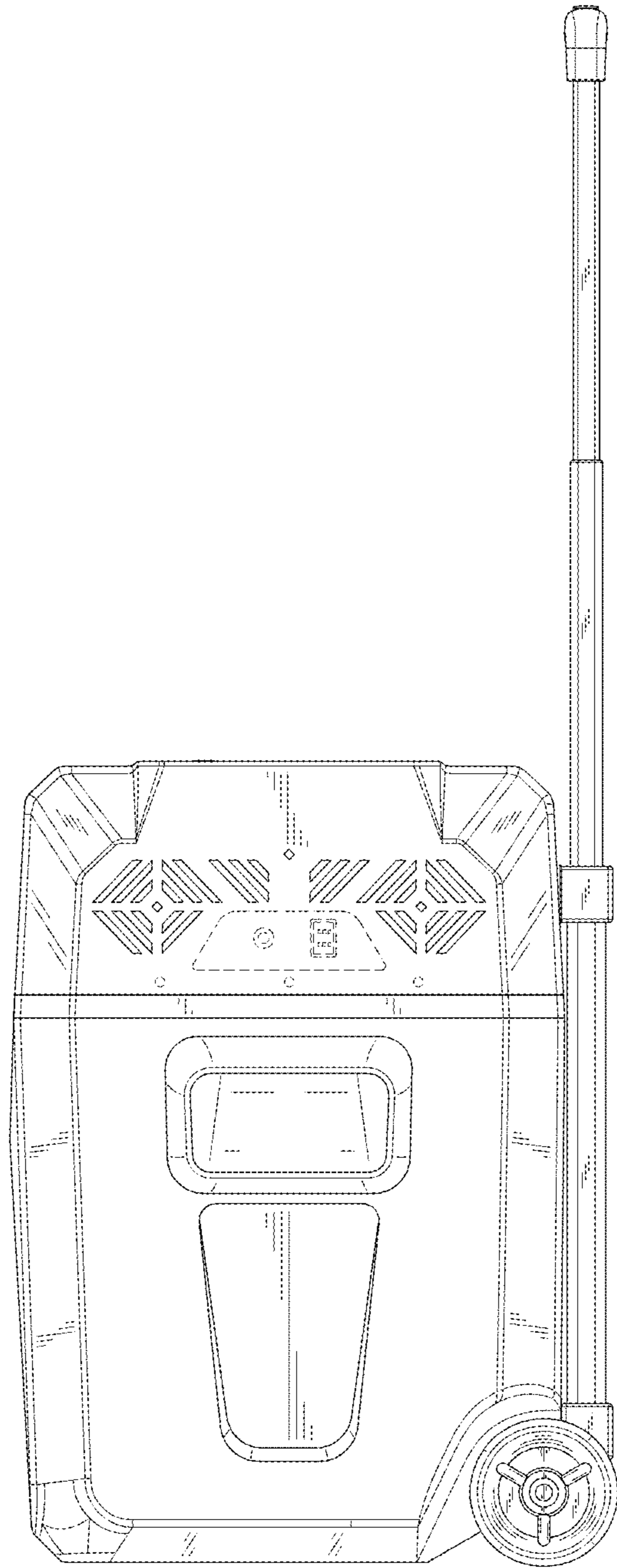


FIG. 4



*FIG. 5*

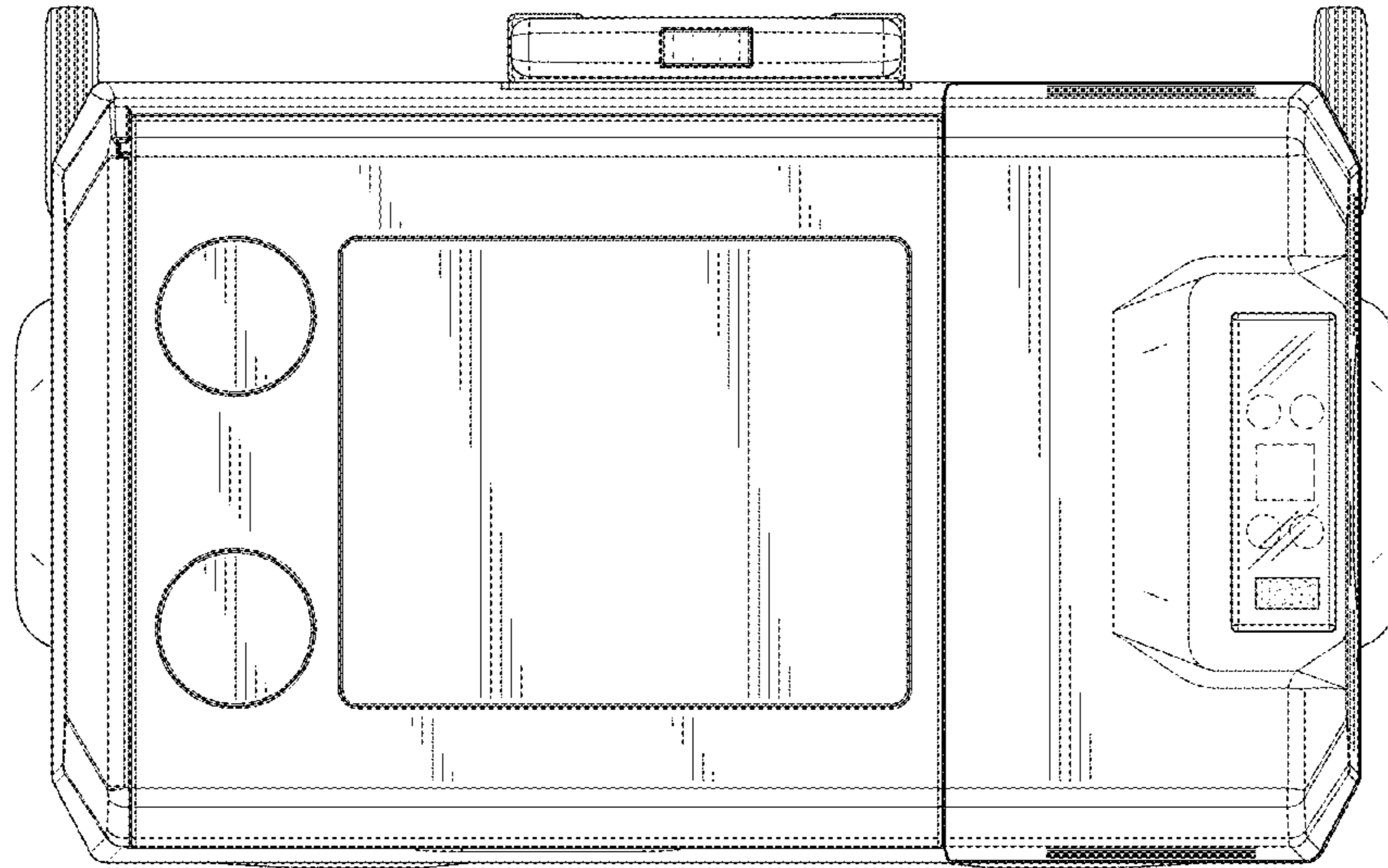


FIG. 6



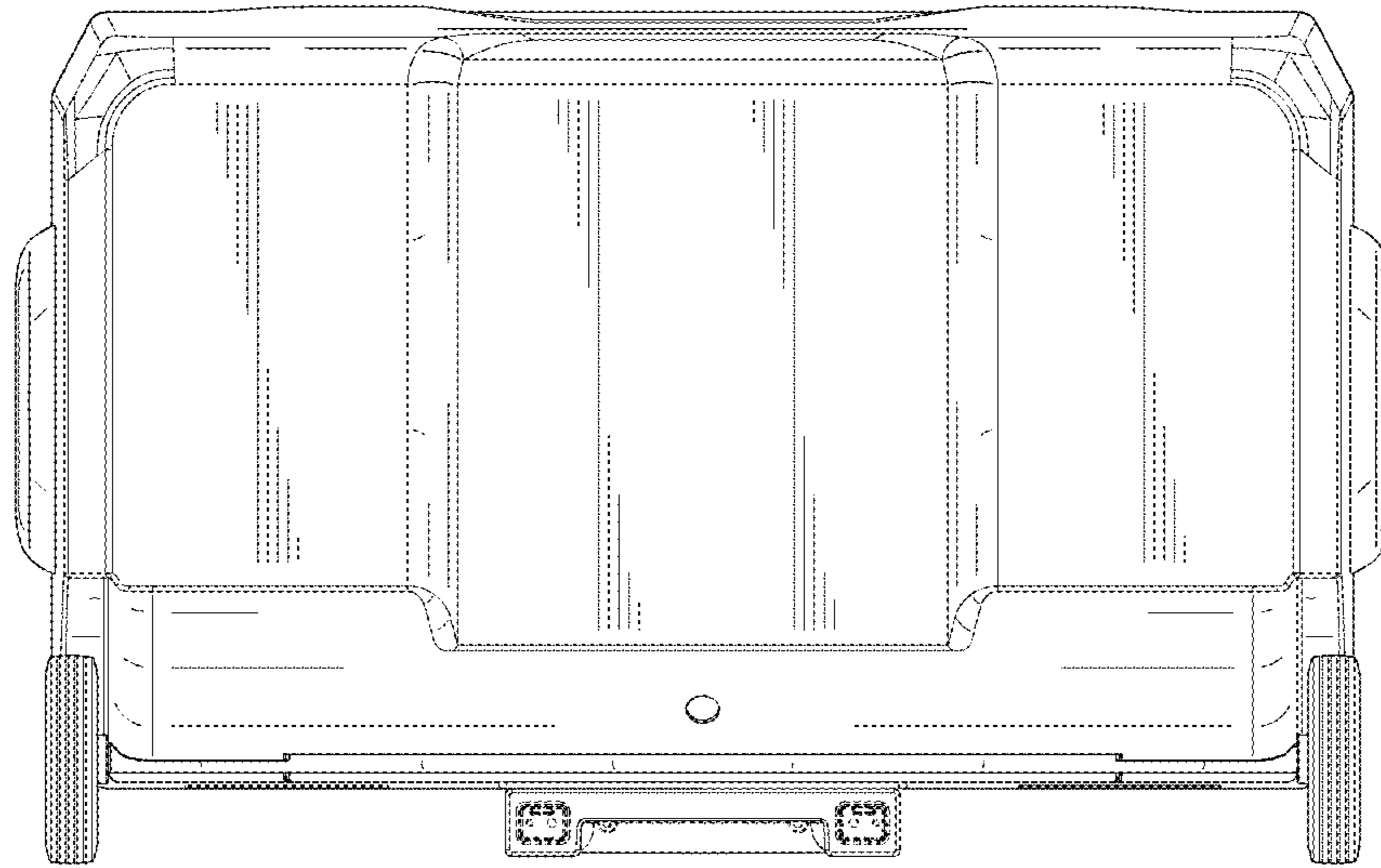


FIG. 7

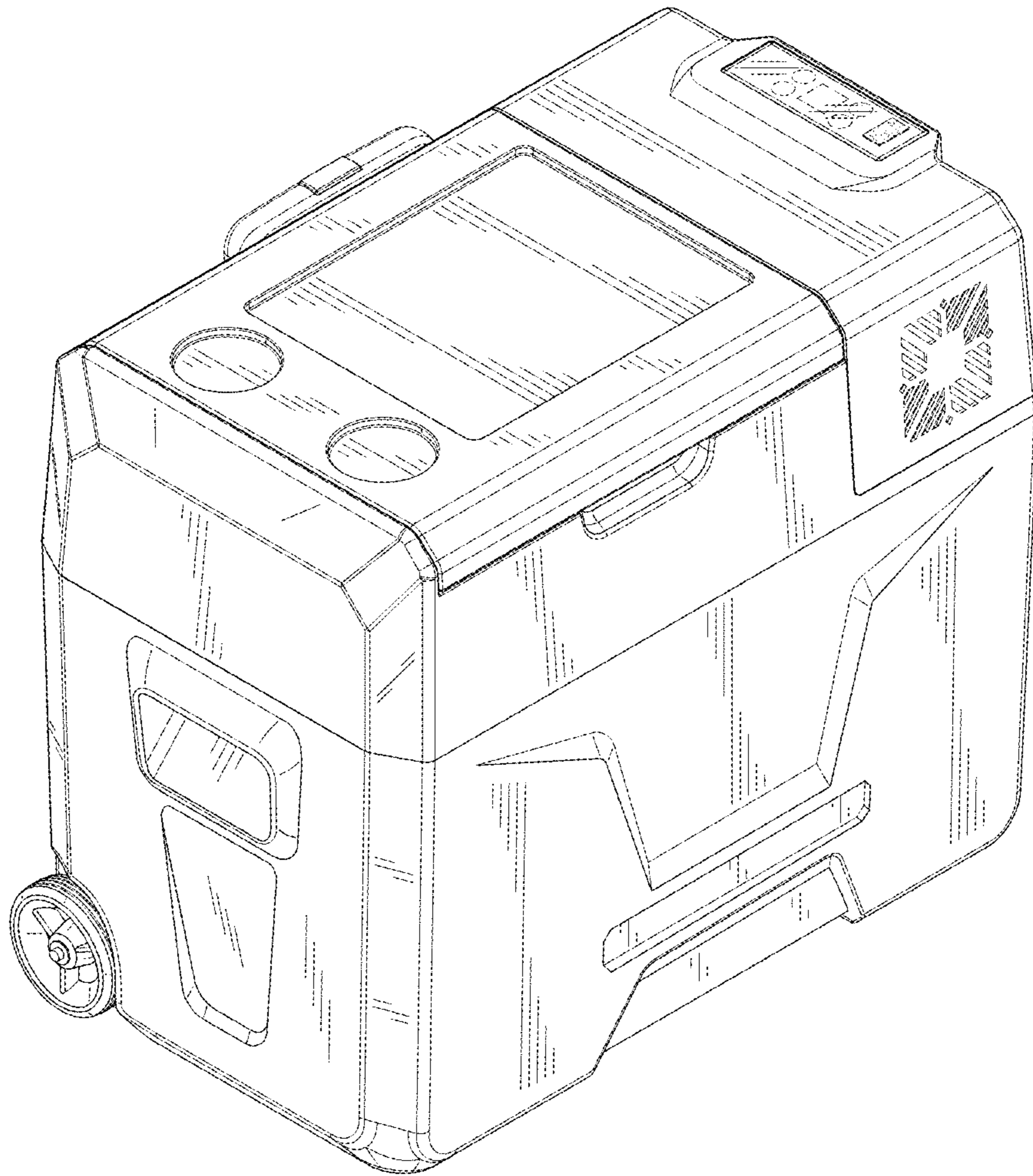


FIG. 8