



US00D958202S

(12) **United States Design Patent**
Chen et al.

(10) **Patent No.:** **US D958,202 S**
(45) **Date of Patent:** **** Jul. 19, 2022**

(54) **CAR FRIDGE**

FOREIGN PATENT DOCUMENTS

(71) Applicant: **FOSHAN ALPICOOL ELECTRIC APPLIANCE CO., LTD.**, Foshan (CN)

CN 306112810 * 10/2020
CN 306273735 * 1/2021

(Continued)

(72) Inventors: **Jingcheng Chen**, Nanning (CN);
Gangqiang Fan, Jiujiang (CN); **Pizhi Zhao**, Qingyuan (CN); **Junjie Qin**, Nanning (CN); **Tao Zeng**, Foshan (CN)

OTHER PUBLICATIONS

Alpicool [online] URL: <https://www.amazon.com/Alpicool-Temperature-Portable-Refrigerator-Freezer-12/dp/B085PTN9P4> (site visited: Nov. 30, 2021) (Year: 2019).*

(Continued)

(**) Term: **15 Years**

(21) Appl. No.: **29/737,083**

Primary Examiner — Jae Liang

Assistant Examiner — Tia Ruth-Renee Polidori

(22) Filed: **Jun. 5, 2020**

(30) **Foreign Application Priority Data**

May 6, 2020 (CN) 202030196766.8

(51) **LOC (13) Cl.** **15-07**

(52) **U.S. Cl.**
USPC **D15/79; D15/81**

(58) **Field of Classification Search**
USPC D7/603, 604, 605, 606, 607, 608, 629;
D3/272, 273, 274, 276, 279; D15/79, 80,
D15/81, 83, 85; 62/911
CPC F25C 2400/10; G05B 2219/2654; A45C
11/20; A45C 9/00; A45C 5/14; F25D
3/06; F25D 3/107; F25D 2400/12; F25D
2400/38; F25D 31/005; F25D 11/003;
F25D 11/006; F25D 23/003; F25D
2323/00277; F25D 2201/10; B65D
81/3813; B65D 81/3818; F25B 19/00
See application file for complete search history.

(57) **CLAIM**

The ornamental design for a car fridge, as shown and described.

DESCRIPTION

FIG. 1 is a perspective view of a car fridge showing our new design;
FIG. 2 is another perspective view thereof;
FIG. 3 is a front elevational view thereof;
FIG. 4 is a rear elevational view thereof;
FIG. 5 is a left side elevational view thereof;
FIG. 6 is a right side elevational view thereof;
FIG. 7 is a top plan view thereof;
FIG. 8 is a bottom plan view thereof;
FIG. 9 is a perspective view of the car fridge where the car fridge is in a configuration of use;
FIG. 10 is an enlarged view of portion 10 shown in FIG. 1; and,
FIG. 11 is an enlarged view of portion 11 shown in FIG. 1. The dash-dash broken lines in the drawings depict portions of the car fridge that form no part of the claimed design and the dot-dash broken lines in the drawings depict partial view indicia that forms no part of the claimed design.

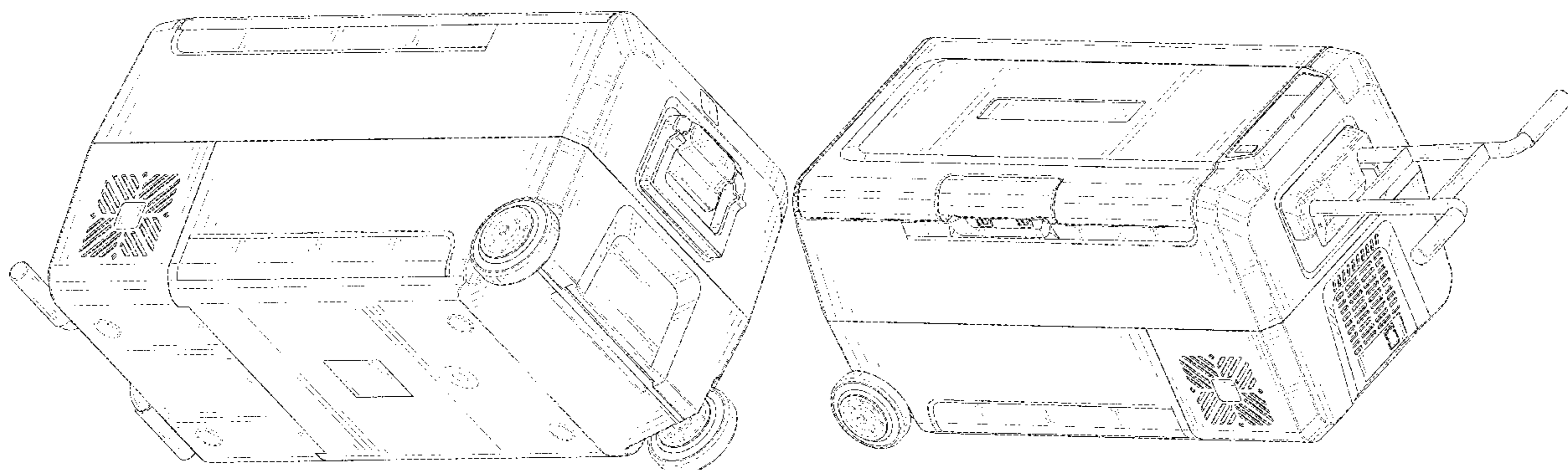
(56) **References Cited**

U.S. PATENT DOCUMENTS

D349,007 S * 7/1994 Costello D7/605
D353,304 S * 12/1994 Friedrich D7/605

(Continued)

1 Claim, 11 Drawing Sheets



(56)

References Cited

U.S. PATENT DOCUMENTS

5,373,708 A * 12/1994 Dumoulin, Jr. A45C 5/146
280/30
D368,207 S * 3/1996 Januzzi D7/605
5,528,453 A * 6/1996 Berman A45C 5/14
280/47.26
D375,022 S * 10/1996 Smith D7/605
D429,606 S * 8/2000 Israel D7/605
6,305,185 B1 * 10/2001 Sloan A45C 5/14
62/235.1
D480,276 S * 10/2003 Duart D7/605
6,658,857 B1 * 12/2003 George F25B 21/04
165/121
D497,252 S * 10/2004 Perella D3/272
D503,413 S * 3/2005 Diaz D15/83
D514,891 S * 2/2006 Garcia D7/605
D516,099 S * 2/2006 Maruyama D15/83
D528,795 S * 9/2006 Perella D3/297
7,143,601 B1 * 12/2006 Jimenez F25D 23/12
62/457.7
D552,426 S * 10/2007 Jones D7/605
D558,239 S * 12/2007 Takemoto D15/79
D584,511 S * 1/2009 Decarlo D3/322
D612,670 S * 3/2010 Sanchez D7/392
D613,560 S * 4/2010 Robichaud D7/605
7,984,997 B1 * 7/2011 Sandberg F21S 9/03
362/101
D660,589 S * 5/2012 Ayjian D3/260
D660,885 S * 5/2012 Crawford D15/83
8,256,156 B1 * 9/2012 Burgoyne, Jr. A01K 97/06
43/54.1
8,353,167 B2 * 1/2013 McGann F25B 21/02
62/3.62
9,132,598 B2 * 9/2015 Ernst B30B 1/04
D750,140 S * 2/2016 Cross D15/81
9,282,797 B1 * 3/2016 Soto A45C 13/30
9,671,158 B1 * 6/2017 Sandberg F25D 27/00
9,726,424 B1 * 8/2017 Sandberg F21V 23/0414
D815,919 S * 4/2018 DeFrancia D7/605
D820,049 S * 6/2018 Ahlstrom D7/605
D828,108 S * 9/2018 Bowling D7/605
D836,995 S * 1/2019 Carey D7/605
10,197,322 B2 * 2/2019 Lagasse F25D 3/06
D863,892 S * 10/2019 Ellison D7/605
D863,893 S * 10/2019 Ellison D7/605
D866,269 S * 11/2019 Coplin D7/605
D869,244 S * 12/2019 Ellison D7/605
D873,085 S * 1/2020 DeFrancia D7/605
D880,540 S * 4/2020 Xie D15/83
D889,208 S * 7/2020 Ellison D7/605
10,731,919 B1 * 8/2020 Gutierrez F25D 27/005
D901,986 S * 11/2020 Meda D7/605
D904,128 S * 12/2020 Ellison D7/605
10,859,305 B1 * 12/2020 Ellis F25D 3/10
D907,074 S * 1/2021 Yang D15/83
D920,743 S * 6/2021 Meda D7/605
D921,439 S * 6/2021 Meda D7/605
D922,454 S * 6/2021 Tang D15/79
11,027,885 B2 * 6/2021 Duong B65D 25/2841
D927,938 S * 8/2021 Meda D7/605
D927,939 S * 8/2021 Ellison D7/605
D929,189 S * 8/2021 Pennington D7/605
D929,471 S * 8/2021 Meda D15/79
D935,280 S * 11/2021 Thelin D7/605
2005/0081558 A1 * 4/2005 Yoshida F25D 11/003
62/457.9
2006/0048534 A1 * 3/2006 Beal B62B 5/0026
62/239
2007/0028642 A1 * 2/2007 Glade F25D 3/06
62/371
2008/0001373 A1 * 1/2008 Vaughn B60B 35/10
280/47.26
2009/0260546 A1 * 10/2009 George A45C 11/20
108/26

2009/0277187 A1 * 11/2009 McGann F25B 27/002
62/3.6
2011/0030413 A1 * 2/2011 Heil F25D 3/08
62/407
2012/0228074 A1 * 9/2012 Osler A45C 7/0045
190/18 A
2012/0318177 A1 * 12/2012 Piazza, Jr. A45C 9/00
108/14
2014/0157794 A1 * 6/2014 McGann F25B 21/04
62/3.2
2015/0203141 A1 * 7/2015 Martin B62B 5/0083
280/47.131
2016/0025400 A1 * 1/2016 Van Wuffen A23L 3/364
426/418
2016/0113370 A1 * 4/2016 Arel, Jr. A45C 15/00
220/592.09
2016/0135559 A1 * 5/2016 Scally B65D 81/3813
220/592.03
2016/0272405 A1 * 9/2016 Furneaux B65D 25/38
2017/0023289 A1 * 1/2017 Anderson F25D 3/08
2017/0027386 A1 * 2/2017 Bungard A47J 41/0055
2017/0159989 A1 * 6/2017 Bodnar F25D 3/08
2017/0234596 A1 * 8/2017 Patsis A45C 11/20
220/592.2
2017/0343247 A1 * 11/2017 Ahmad F25D 11/003
2018/0009588 A1 * 1/2018 Grogan F25B 21/04
2018/0015938 A1 * 1/2018 DeFrancia B62B 5/067
2018/0079580 A1 * 3/2018 Midali B65D 81/113
2018/0238607 A1 * 8/2018 Lagasse F25D 3/06
2018/0266749 A1 * 9/2018 Morgan F25D 11/027
2019/0039810 A1 * 2/2019 Tolman B65D 81/3818
2019/0092528 A1 * 3/2019 Slattery B65D 81/3813
2019/0152677 A1 * 5/2019 Hoyt B65D 43/165
2019/0300266 A1 * 10/2019 Bramwell B65D 81/3825
2019/0389711 A1 * 12/2019 Coplin B65D 43/162
2020/0017277 A1 * 1/2020 Moon B65D 43/167
2020/0062454 A1 * 2/2020 Duong B65D 25/2841
2020/0102126 A1 * 4/2020 Guerdrum B65D 81/3813
2020/0132365 A1 * 4/2020 Ohta F25D 11/006
2020/0187615 A1 * 6/2020 Hockaday, Jr. A45C 5/14
2020/0196725 A1 * 6/2020 Tonelli A45C 13/26
2020/0216224 A1 * 7/2020 Nichols B65D 25/24
2020/0216229 A1 * 7/2020 Guan B65D 25/2841
2020/0217571 A1 * 7/2020 Guan F25D 11/02
2020/0217574 A1 * 7/2020 Thelin B65D 81/3813
2020/0237163 A1 * 7/2020 Olson B65D 81/3818
2021/0016923 A1 * 1/2021 Downie B65D 81/3813
2021/0076791 A1 * 3/2021 DeVeaux A45C 9/00
2021/0127808 A1 * 5/2021 Thelin B65D 81/3888
2021/0229893 A1 * 7/2021 Maldonado B65D 43/22
2021/0284426 A1 * 9/2021 Kalajyan B65D 45/00
2021/0285716 A1 * 9/2021 Kalajyan B65D 25/2841
2021/0347287 A1 * 11/2021 Fan B60N 3/104

FOREIGN PATENT DOCUMENTS

CN 306351536 * 2/2021
CN 306351537 * 2/2021
CN 306588278 * 6/2021
CN 306588282 * 6/2021
CN 306680230 * 7/2021
CN 306871719 * 10/2021
CN 306876348 * 10/2021
CN 306907932 * 10/2021
GB 6148658 * 7/2021

OTHER PUBLICATIONS

Bodega [online] URL: [https://www.amazon.com/BODEGA-Refrigerator-Portable-Quart \(36L \) -4 °F-68°F-Compressor/dp/B08D96GJJL/](https://www.amazon.com/BODEGA-Refrigerator-Portable-Quart (36L) -4 °F-68°F-Compressor/dp/B08D96GJJL/) (site visited: Nov. 30, 2021) (Year: 2020).*

Alpicool [online] URL: <https://www.alpicool.cc/pages/alpicool-dual-temperature-control-t60-portable-refrigerator-for-sale> (site visited: Nov. 30, 2021) (Year: 2021).*

(56)

References Cited

OTHER PUBLICATIONS

Stakol [online] URL: <https://www.walmart.com/ip/STAKOL-53-Quarts-Portable-Electric-Car-Cooler-Refrigerator-Freezer-Wheels-Camping/394812427?> (site visited: Nov. 30, 2021) (Year: 2021).*

* cited by examiner

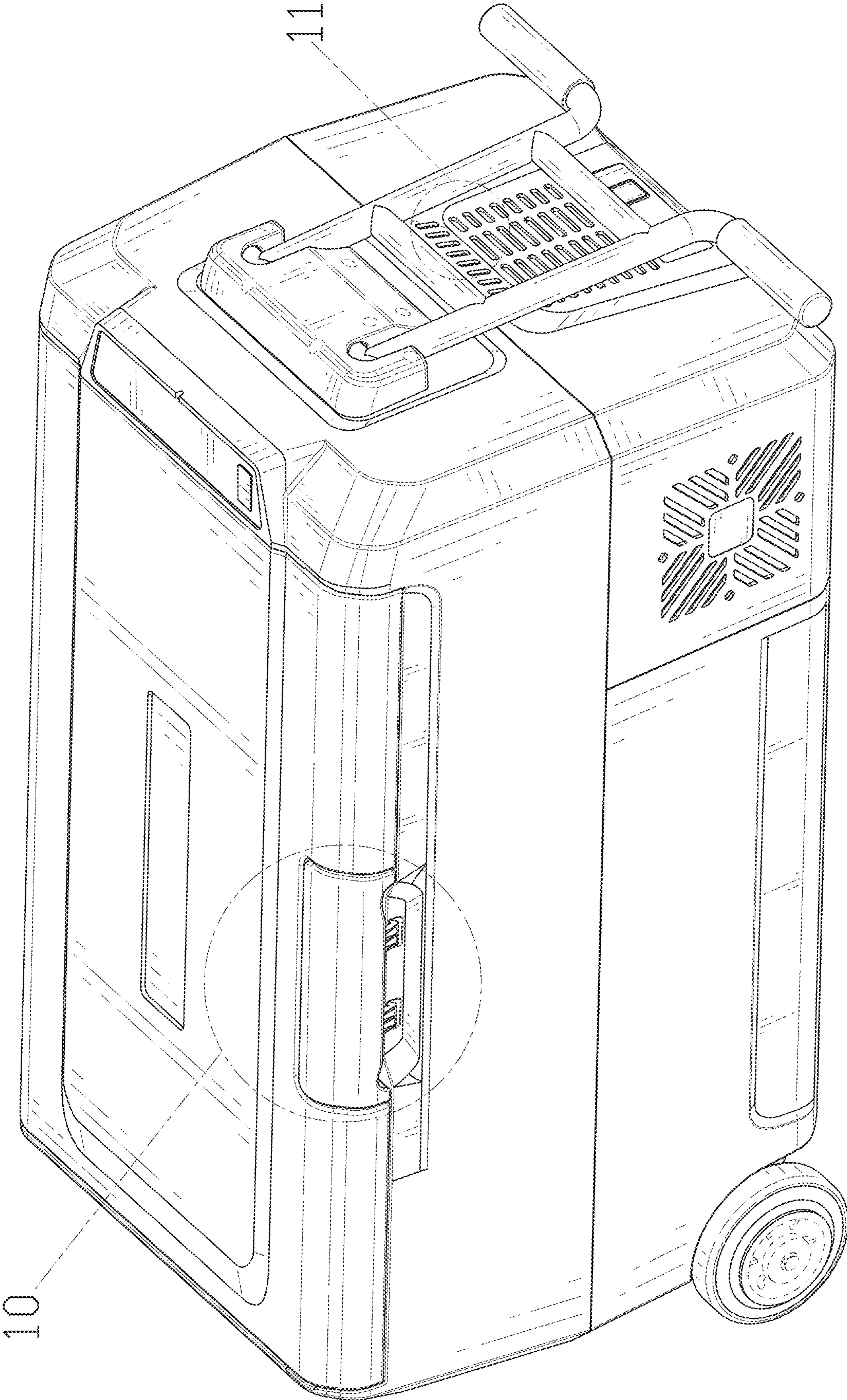


FIG. 1

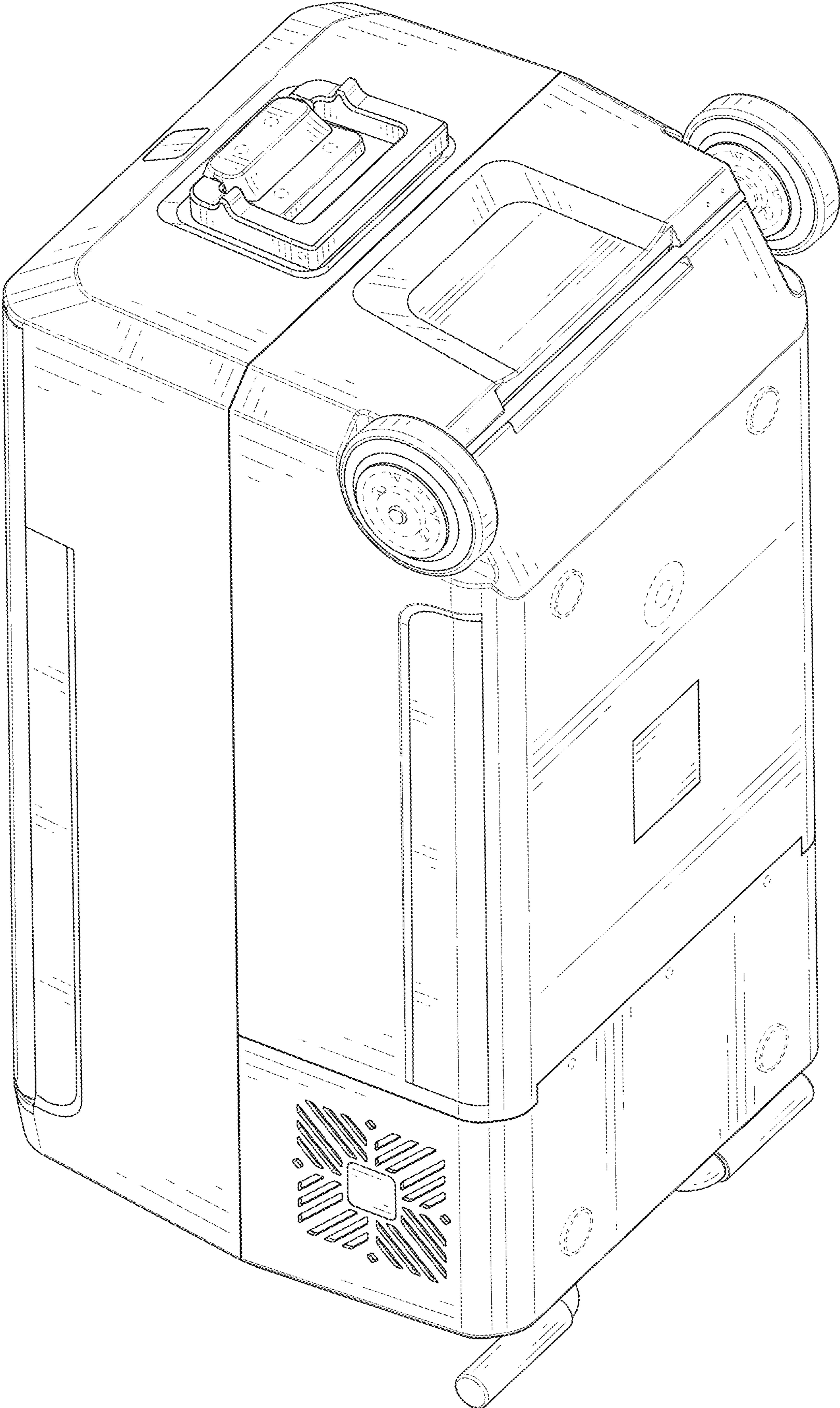


FIG. 2



FIG. 3

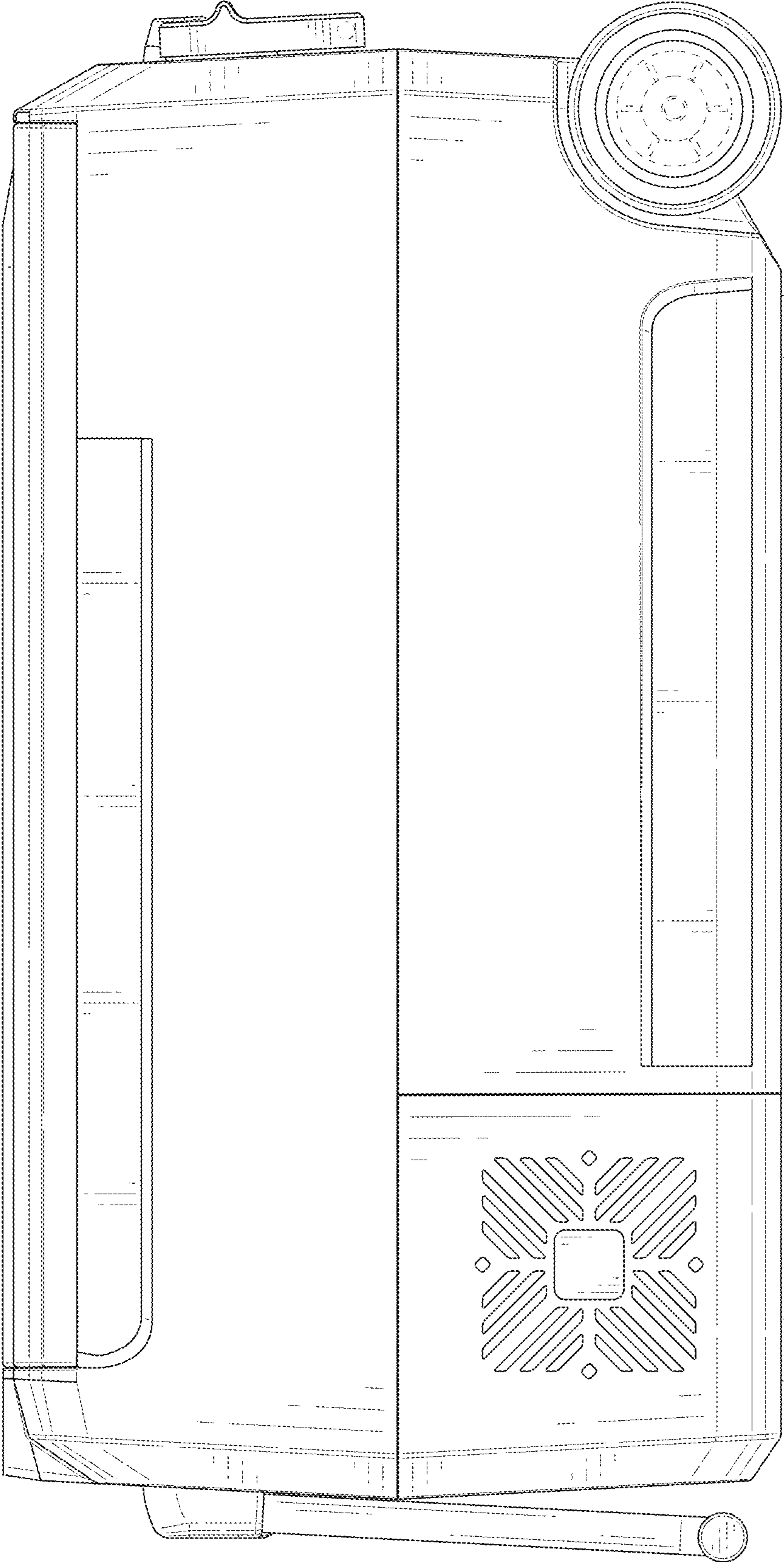


FIG. 4

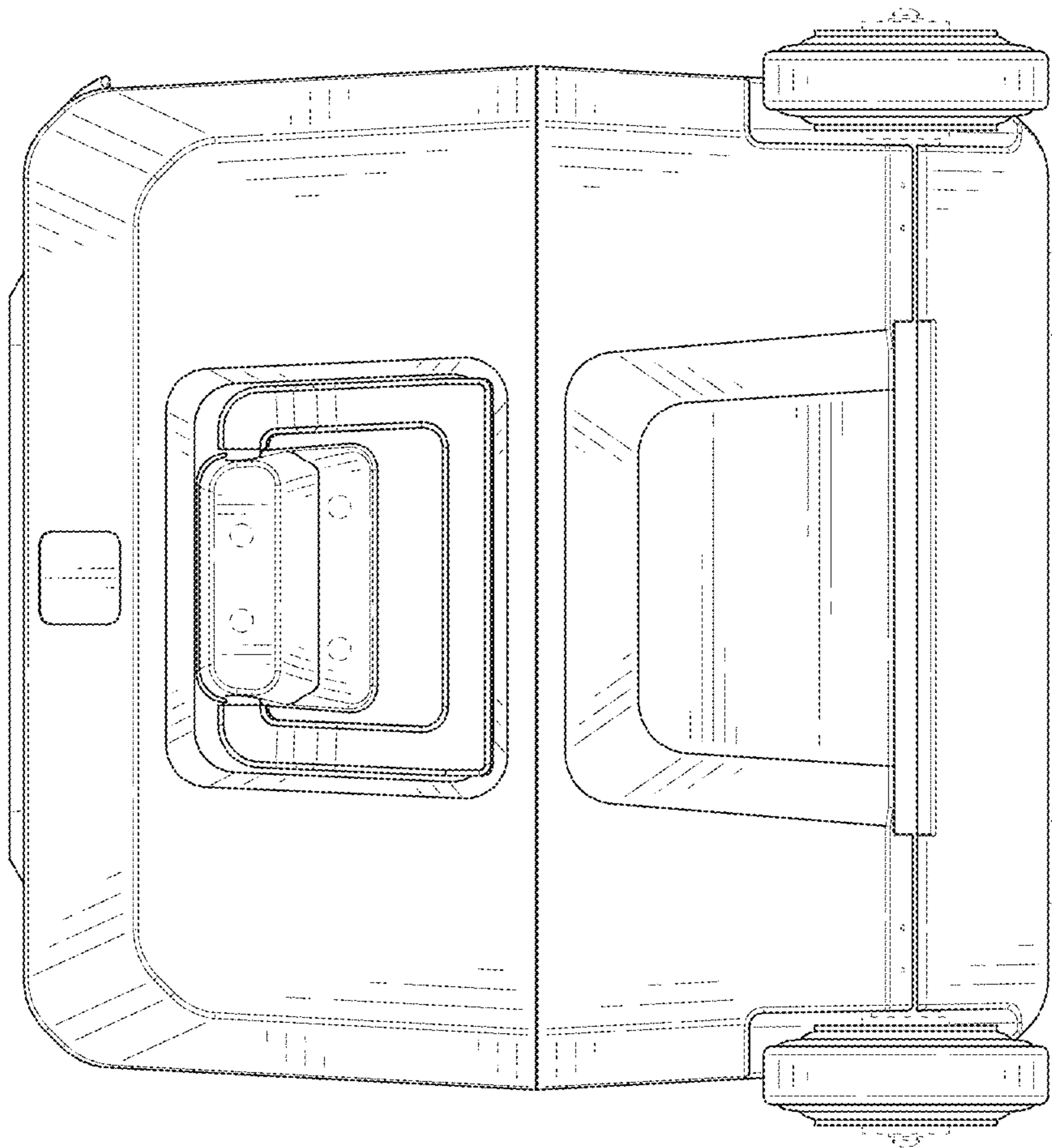


FIG. 5

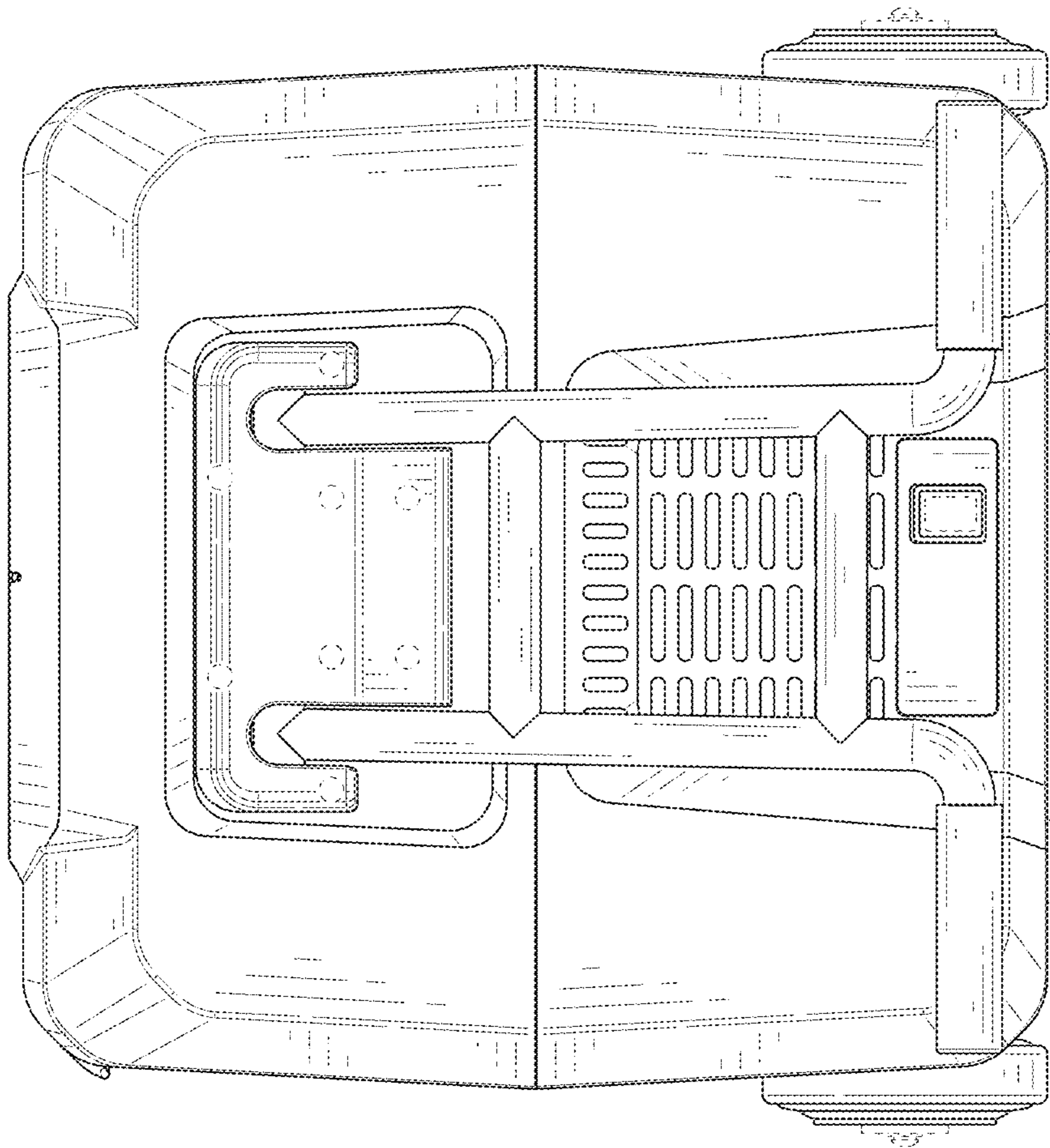


FIG. 6

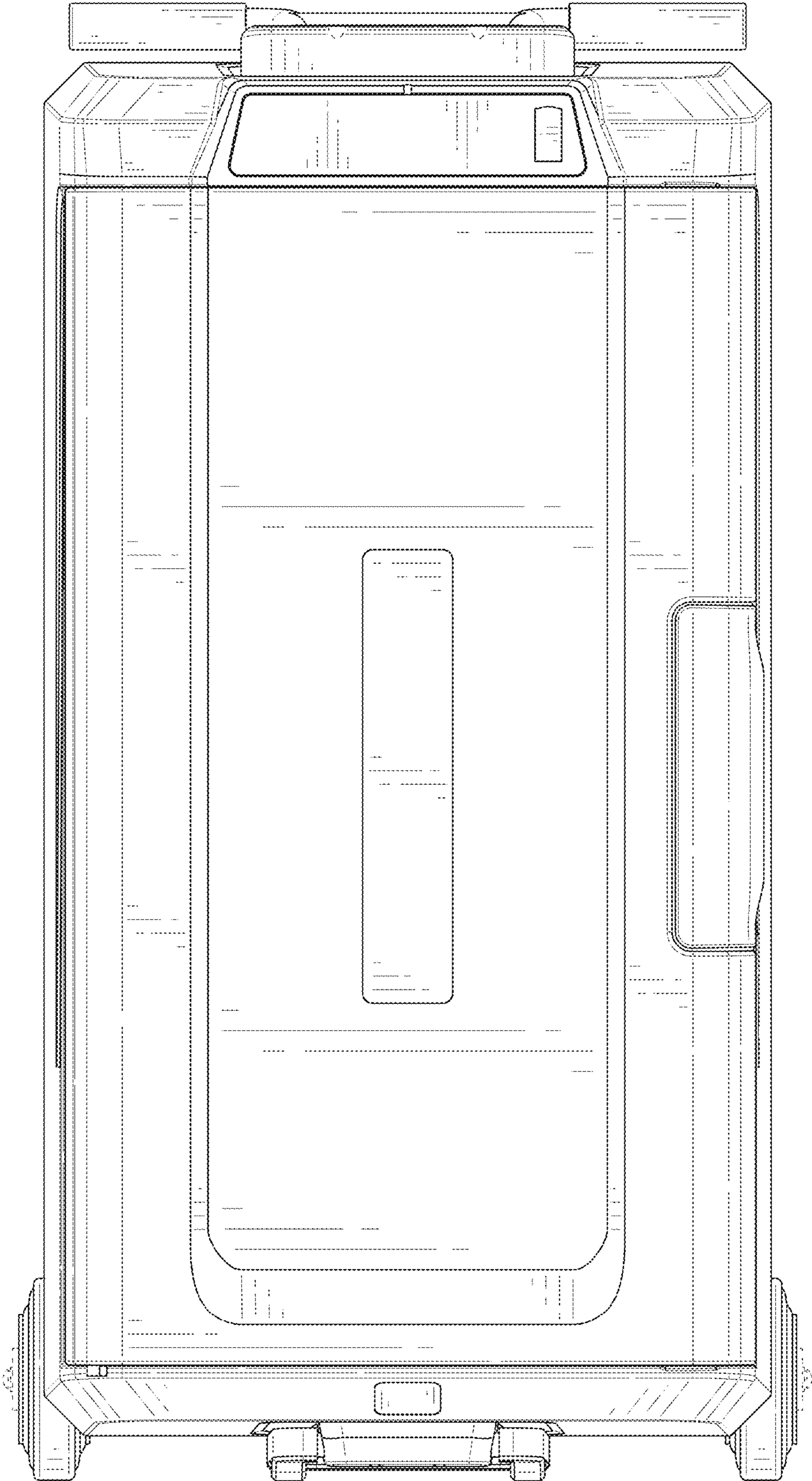


FIG. 7

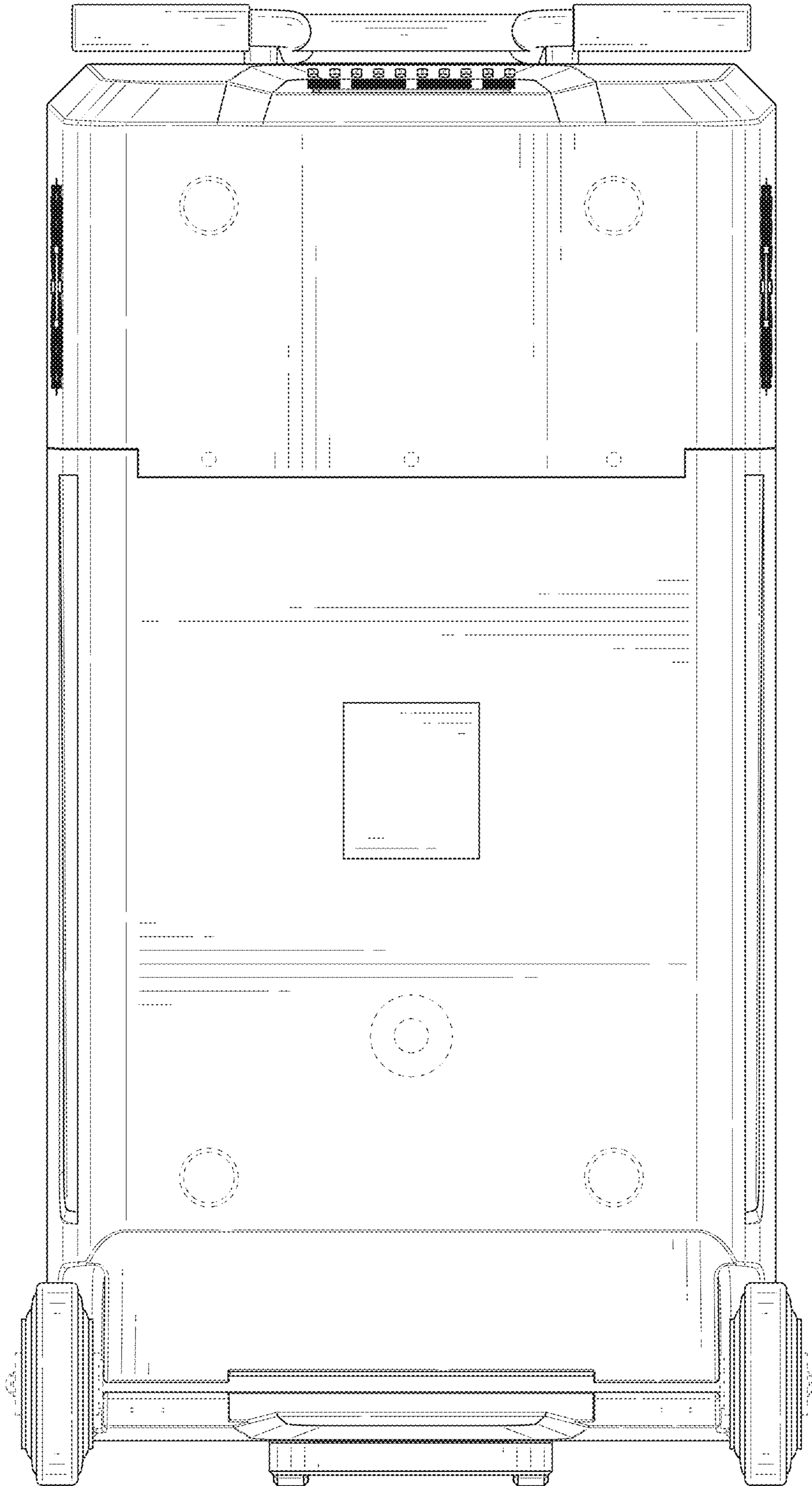


FIG. 8

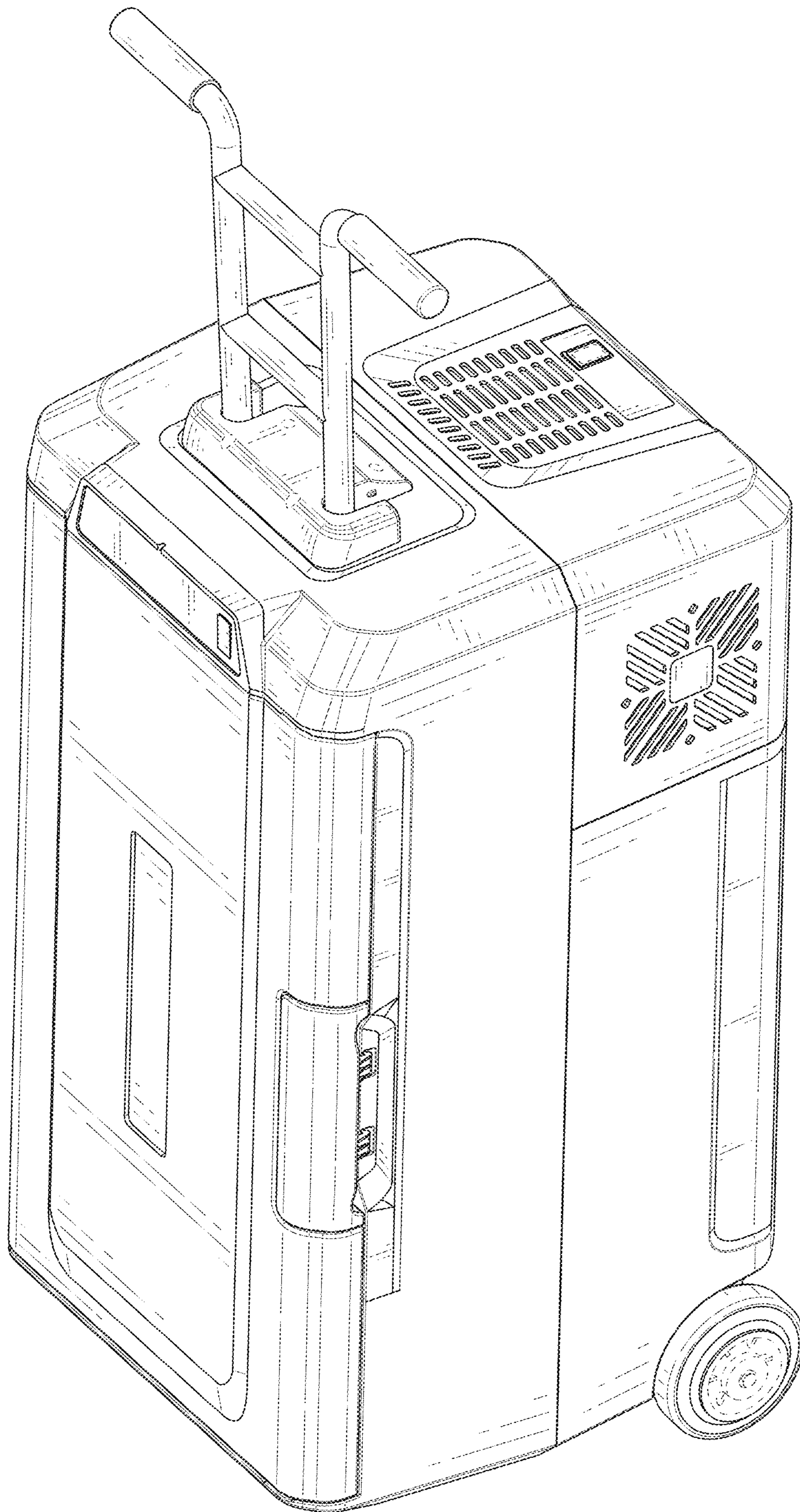


FIG. 9

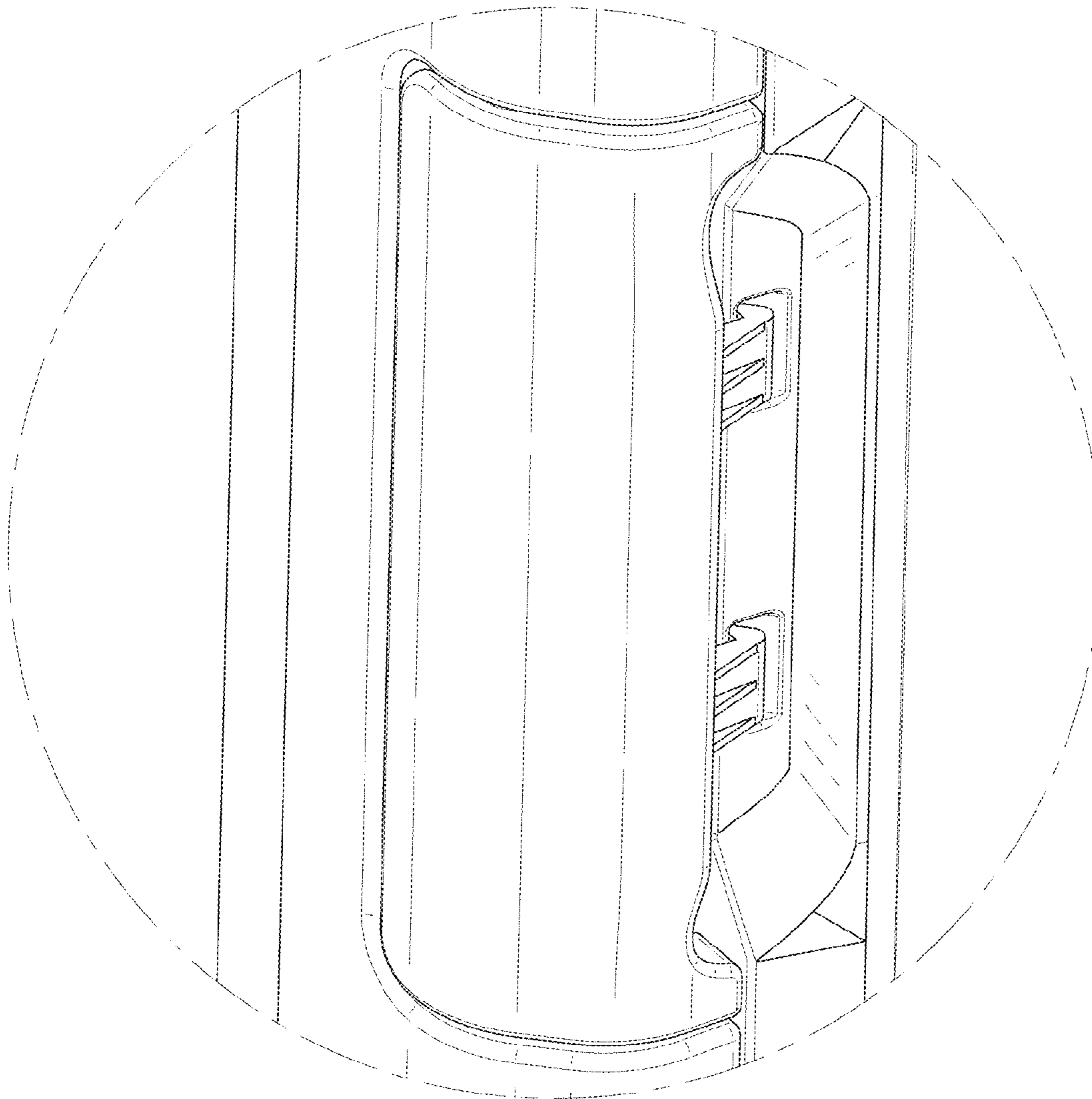


FIG. 10

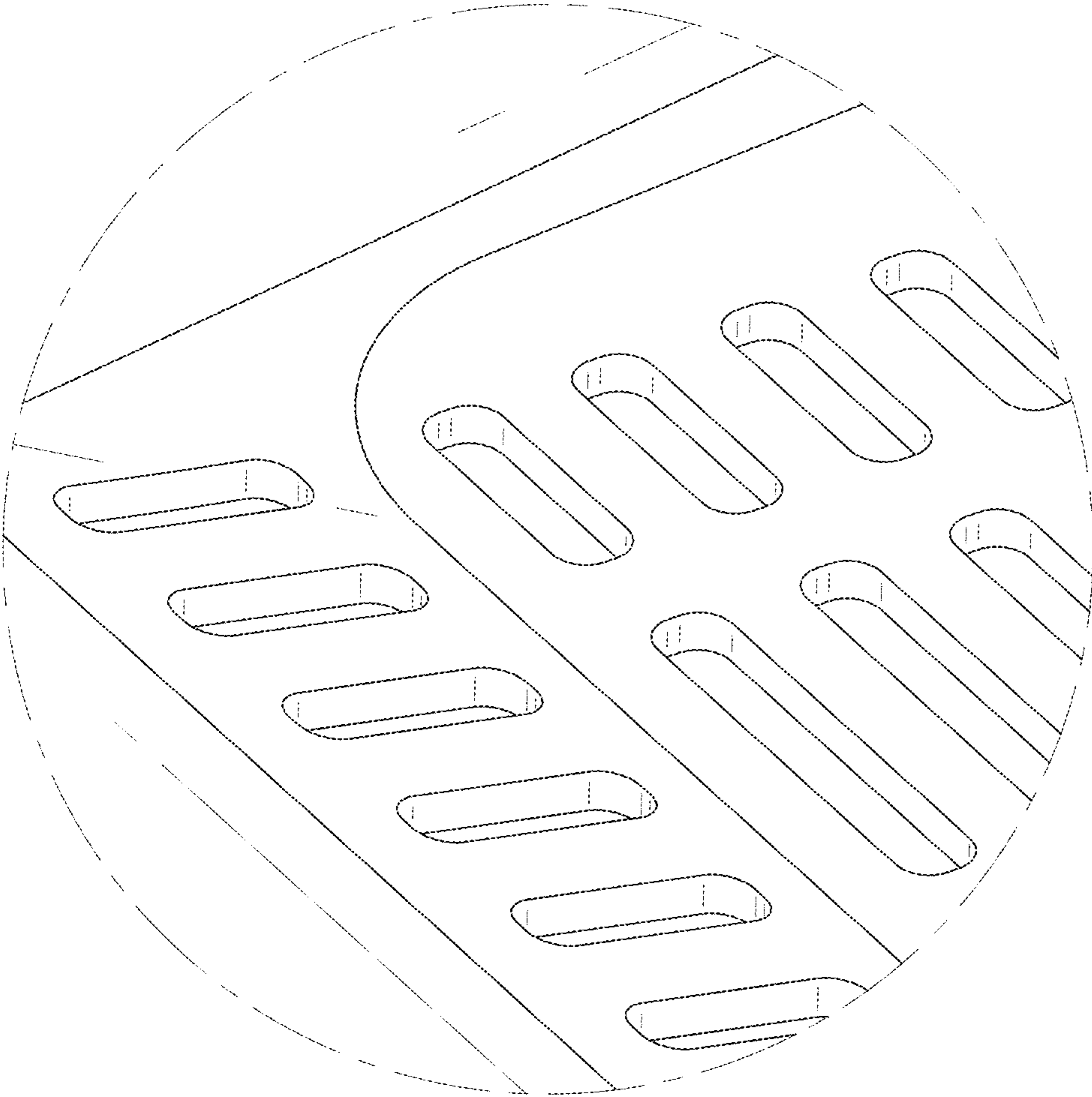


FIG. 11