



US00D958197S

(12) **United States Design Patent**
Higel

(10) **Patent No.:** **US D958,197 S**

(45) **Date of Patent:** **** Jul. 19, 2022**

- (54) **TEDDER PLATE**
- (71) Applicant: **KUHN SAS**, Saverne (FR)
- (72) Inventor: **Eric Higel**, Hohengoefst (FR)
- (73) Assignee: **KUHN SAS**, Saverne (FR)
- (**) Term: **15 Years**
- (21) Appl. No.: **29/770,750**
- (22) Filed: **Feb. 16, 2021**

| | | | | |
|----------------|---------|------------|-------|-------------------------|
| D396,174 S * | 7/1998 | Schultz | | D15/17 |
| D440,985 S * | 4/2001 | Noonan | | D15/28 |
| D450,065 S * | 11/2001 | Neuerburg | | D15/17 |
| D456,821 S * | 5/2002 | Ege | | D15/28 |
| D493,180 S * | 7/2004 | Crawford | | D15/28 |
| 6,840,027 B2 * | 1/2005 | Donselaar | | A01D 43/10 56/16.4 R |
| D526,666 S * | 8/2006 | Bruns | | D15/28 |
| D557,712 S * | 12/2007 | Ewringmann | | D15/28 |
| D562,357 S * | 2/2008 | Hardy | | D15/29 |
| RE42,028 E * | 1/2011 | Ewringmann | | D15/28 |
| D640,289 S * | 6/2011 | Wilhelm | | D15/17 |
| D645,479 S * | 9/2011 | Ehrhart | | D15/28 |
| D662,520 S * | 6/2012 | Nikkel | | D15/28 |
| 8,893,461 B2 * | 11/2014 | Nikkel | | A01D 34/733 56/255 |
| D823,902 S * | 7/2018 | Paterson | | D15/28 |
| D911,397 S * | 2/2021 | Faust | | D15/28 |

(30) **Foreign Application Priority Data**

Aug. 20, 2020 (EM) 008129480-0001

- (51) **LOC (13) Cl.** **15-03**
- (52) **U.S. Cl.**
USPC **D15/28**
- (58) **Field of Classification Search**
USPC D15/17, 27, 28, 29
CPC A01D 43/04; A01D 78/00; A01D 78/04;
A01D 80/00; A01D 80/02
See application file for complete search history.

(Continued)

Primary Examiner — Mark A Goodwin

(74) *Attorney, Agent, or Firm* — Oblon, McClelland,
Maier & Neustadt, L.L.P.

(56) **References Cited**

U.S. PATENT DOCUMENTS

| | | | | |
|---------------|---------|----------|-------|-----------------------|
| D174,375 S * | 4/1955 | Cole | | D15/17 |
| 2,983,057 A * | 5/1961 | Erickson | | A01D 42/08 37/243 |
| 4,166,352 A * | 9/1979 | Knusting | | A01D 78/125 56/366 |
| 4,263,774 A * | 4/1981 | DeCoene | | A01D 78/12 56/370 |
| D262,028 S * | 11/1981 | Johnson | | D15/29 |
| 4,346,549 A * | 8/1982 | Wattron | | A01D 84/02 56/370 |
| D274,815 S * | 7/1984 | Ehrler | | D15/17 |
| D370,489 S * | 6/1996 | Taggett | | D15/17 |

(57) **CLAIM**

The ornamental design for a tedder plate, as shown and described.

DESCRIPTION

The patent or application file contains at least one drawing executed in color. Copies of this patent or patent application publication with color drawing(s) will be provided by the Office upon request and payment of the necessary fee.

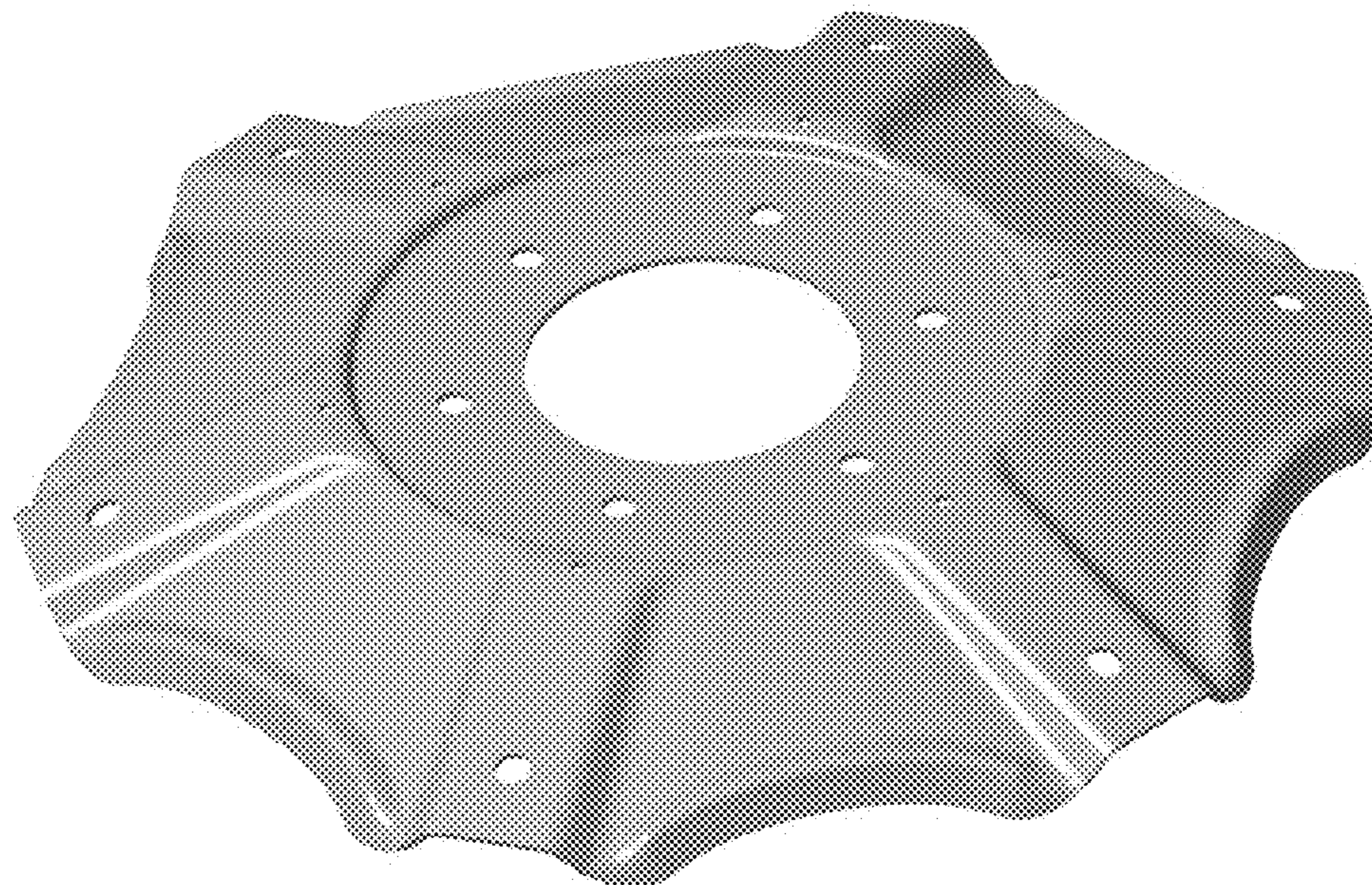
FIG. 1 is a front, top, and right side perspective view of a tedder plate showing the new design.

FIG. 2 is a front elevational view thereof, the rear elevational view being a mirror image of the front elevational view.

FIG. 3 is a top plan view thereof; and,

FIG. 4 is a bottom plan view thereof.

1 Claim, 4 Drawing Sheets
(4 of 4 Drawing Sheet(s) Filed in Color)



(56)

References Cited

U.S. PATENT DOCUMENTS

2013/0025251 A1* 1/2013 Arnold A01D 78/1085
56/367
2013/0118141 A1* 5/2013 Arnold A01D 78/1028
56/367
2013/0219848 A1* 8/2013 Speich A01D 78/125
56/400
2020/0260648 A1* 8/2020 Brooks A01D 78/1078
2020/0323142 A1* 10/2020 Riedel A01D 78/144

* cited by examiner

FIG. 1

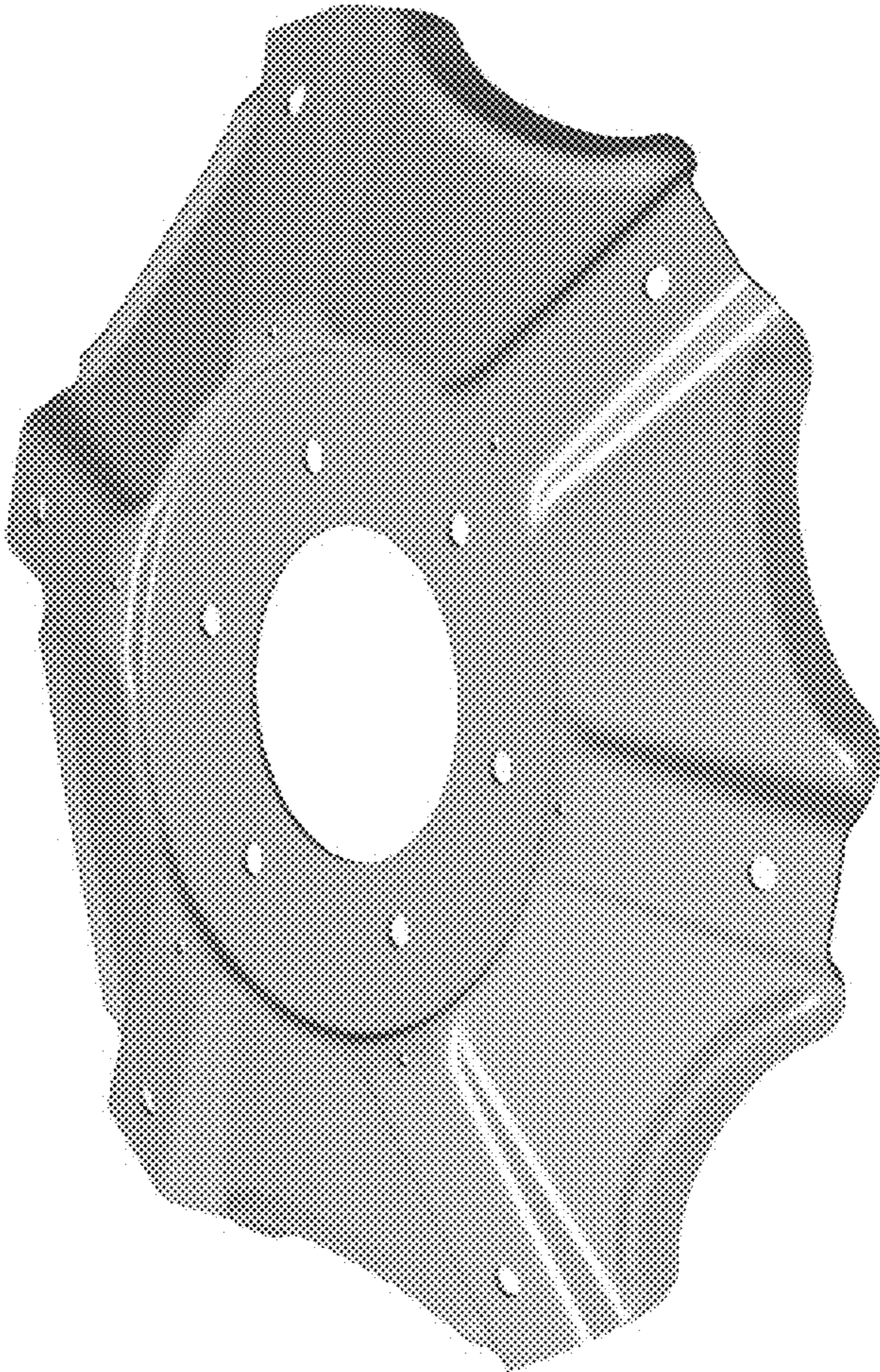


FIG. 2

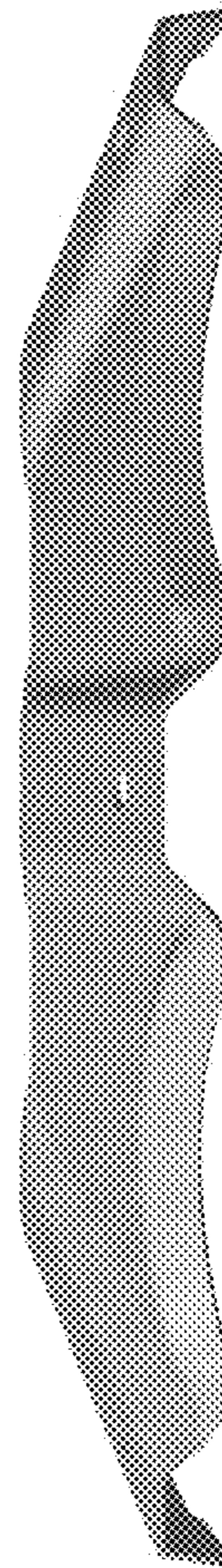


FIG. 3

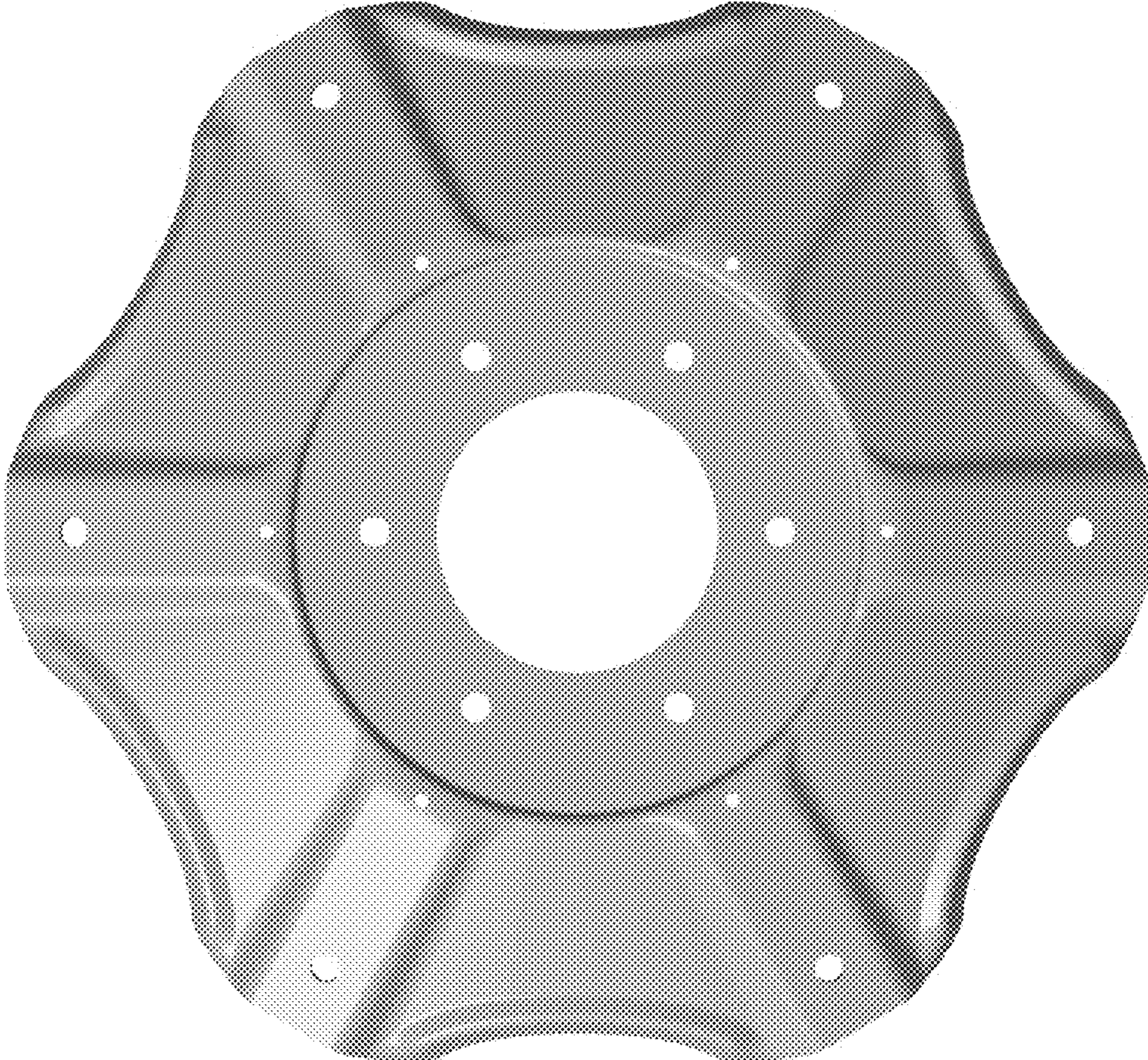


FIG. 4

