



US00D958196S

(12) **United States Design Patent**  
**Mariman et al.**

(10) **Patent No.:** **US D958,196 S**

(45) **Date of Patent:** **\*\* Jul. 19, 2022**

(54) **WORK VEHICLE, TOY, REPLICA AND/OR DISPLAY SCREEN WITH VIRTUAL MODEL THEREOF**

(71) Applicant: **Deere & Company**, Moline, IL (US)

(72) Inventors: **Nathan A. Mariman**, Davenport, IA (US); **Robert J. Ferris**, LeClaire, IA (US); **David A. Scott**, Bettendorf, IA (US)

(73) Assignee: **DEERE & COMPANY**, Moline, IL (US)

(\*\*) Term: **15 Years**

(21) Appl. No.: **29/771,678**

(22) Filed: **Feb. 24, 2021**

(51) **LOC (13) Cl.** ..... **15-03**

(52) **U.S. Cl.**  
USPC ..... **D15/27**

(58) **Field of Classification Search**

USPC ..... D15/10, 12, 27, 28  
CPC ..... A01B 73/065; A01B 73/005; A01B 73/00; A01B 73/02; A01B 73/04; A01B 73/06; A01B 49/06; A01B 49/00; A01B 61/044; A01B 61/048; A01B 5/04; A01B 49/027; A01B 73/046; A01B 73/048; A01B 63/002; A01B 63/14; A01B 63/32; A01B 63/118; A01C 7/208; A01C 7/18; A01C 7/00; A01C 7/20; A01C 7/06; A01C 5/064; A01C 5/068; A01C 7/203; A01C 7/205; A01C 7/206; Y10S 111/921; Y10S 111/923; Y10S 111/924; Y10S 111/925  
See application file for complete search history.

(56) **References Cited**

U.S. PATENT DOCUMENTS

D559,868 S \* 1/2008 Nanlawala ..... D15/27  
D627,373 S \* 11/2010 Prickel ..... D15/27

D629,426 S \* 12/2010 Prickel ..... D15/27  
D629,427 S \* 12/2010 Prickel ..... D15/27  
D631,068 S \* 1/2011 Prickel ..... D15/27  
D680,559 S \* 4/2013 Blunier ..... D15/27  
D758,458 S \* 6/2016 Anderson ..... D15/27  
D766,333 S \* 9/2016 Anderson ..... D15/27  
D813,914 S \* 3/2018 Horsch ..... D15/27  
D813,915 S \* 3/2018 Horsch ..... D15/27  
D835,161 S \* 12/2018 Blackwell ..... D15/27  
D849,801 S \* 5/2019 Dienst ..... D15/27  
D880,535 S \* 4/2020 Dienst ..... D15/27  
D884,750 S \* 5/2020 Leeb ..... D15/27  
D900,885 S \* 11/2020 Kuboushek ..... D15/27

**OTHER PUBLICATIONS**

John Deere, Air-Seeding Equipment Brochure, Jul. 2020. (28 pages).  
(Continued)

*Primary Examiner* — Mark A Goodwin

(74) *Attorney, Agent, or Firm* — Klintworth & Rozenblat IP LLP

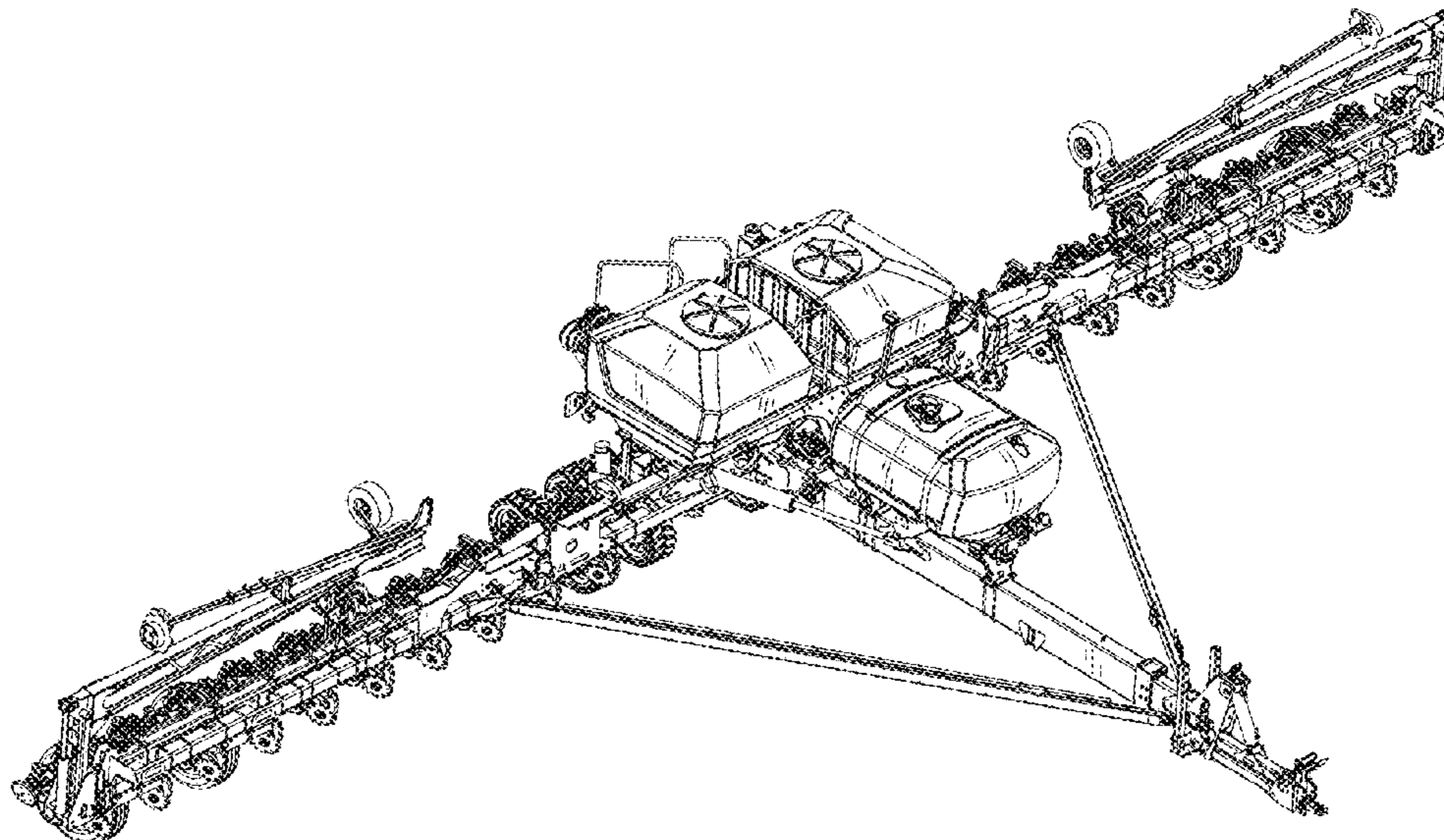
(57) **CLAIM**

The ornamental design for a work vehicle, toy, replica and/or display screen with virtual model thereof, as shown and described.

**DESCRIPTION**

FIG. 1 is a top, left perspective view of a work vehicle, toy, replica and/or display screen with virtual model thereof according to our new design;  
FIG. 2 is a front elevational view thereof;  
FIG. 3 is a rear elevational view thereof;  
FIG. 4 is a left side elevational view thereof;  
FIG. 5 is a right side elevational view thereof;  
FIG. 6 is a top plan view thereof; and,  
FIG. 7 is a bottom plan view thereof.

**1 Claim, 7 Drawing Sheets**



(56)

**References Cited**

OTHER PUBLICATIONS

Kinze Model 3660 Image, undated. (1 page).

Massey Ferguson Image, undated. (1 page).

Kinze Manufacturing, Planters, <https://www.kinze.com/planters/>, 2021 (4 pages).

Stara, Planters and Seeders Products, <https://stara.com.br/en/produtos/planter-and-seeders/>, Stara S/A Indústria de Implementos Agrícolas, 2021. (6 pages).

AGCO, White-Planters, Vacuum Electric (VE/VER) Planters, <https://www.white-planters.com/planting-equipment/9000-series-planters-vacuum-electric.html>, AGCO Corporation, 2021. (10 pages).

Case IH, Planting & Seeding, <https://www.caseih.com/northamerica/en-us/products/planting-seeding>, CNH Industrial America LLC, 2021. (3 pages).

\* cited by examiner



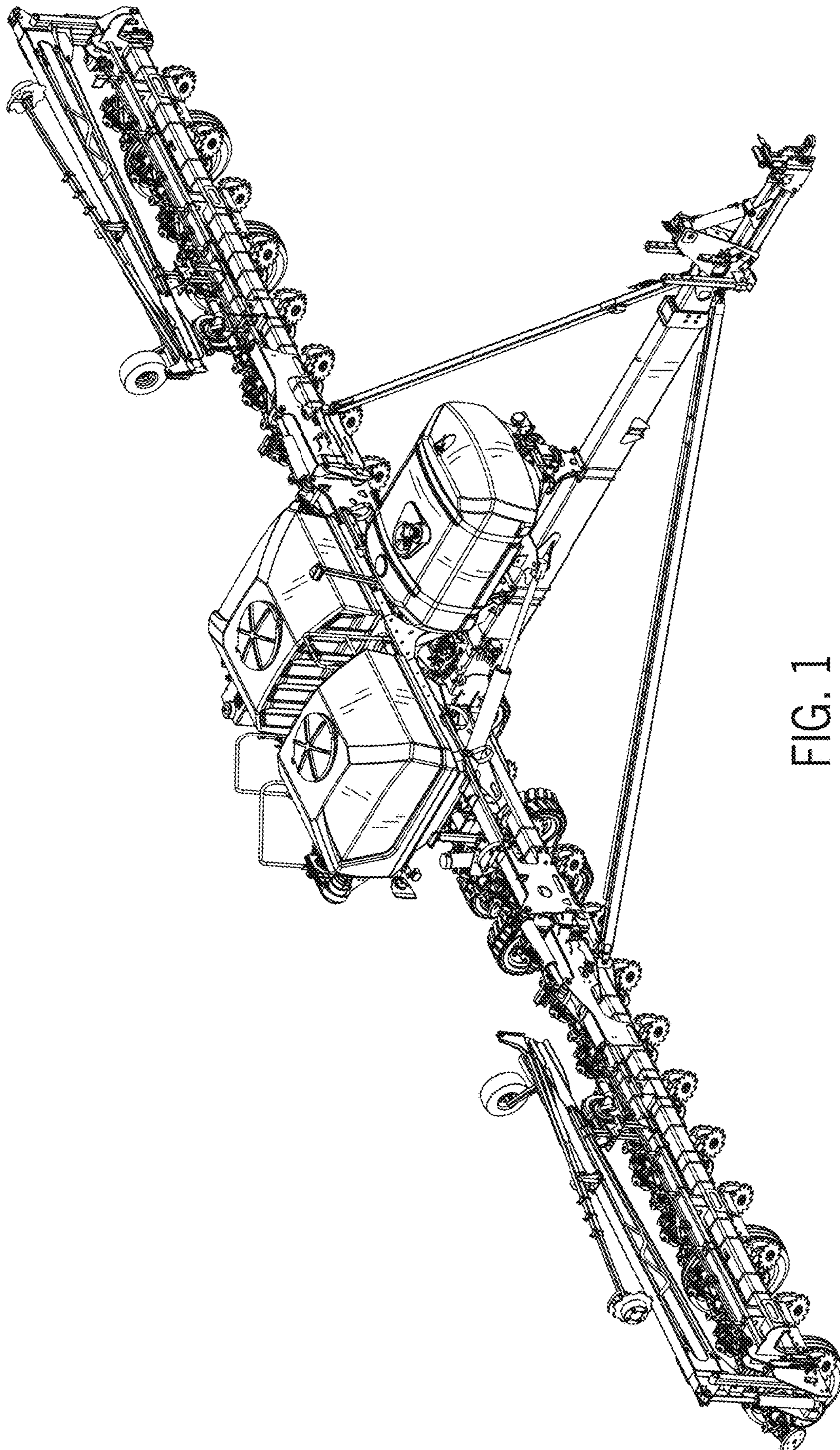


FIG. 1

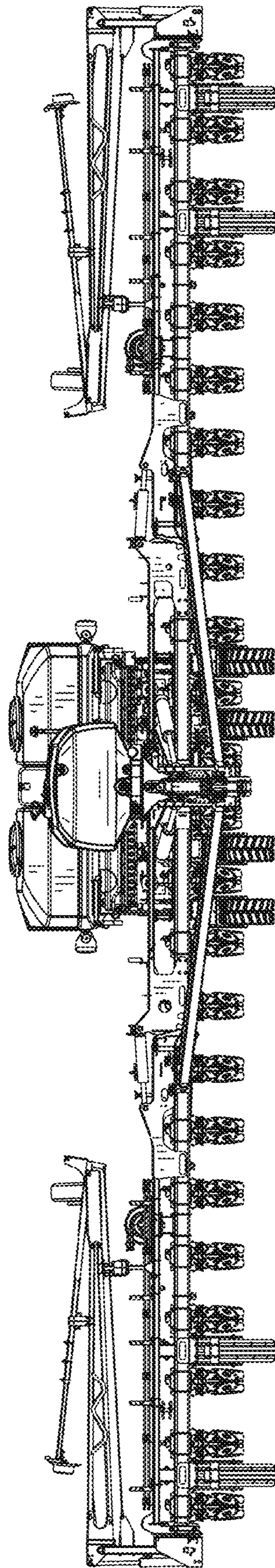


FIG. 2



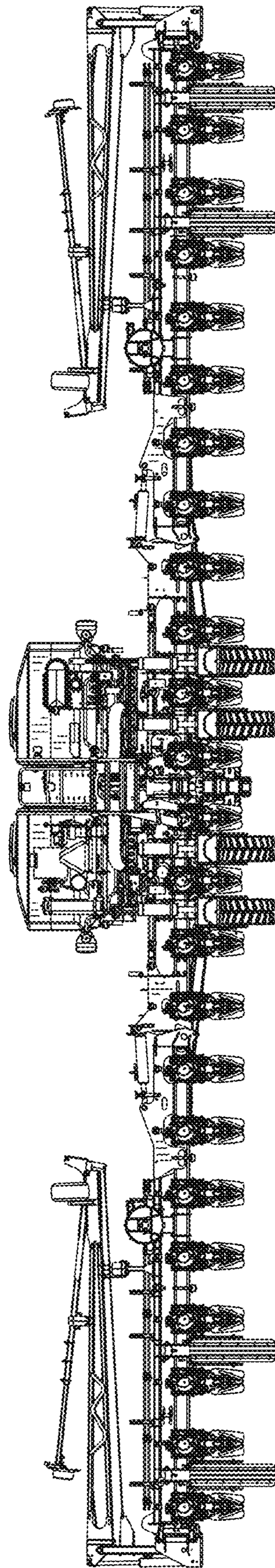


FIG. 3

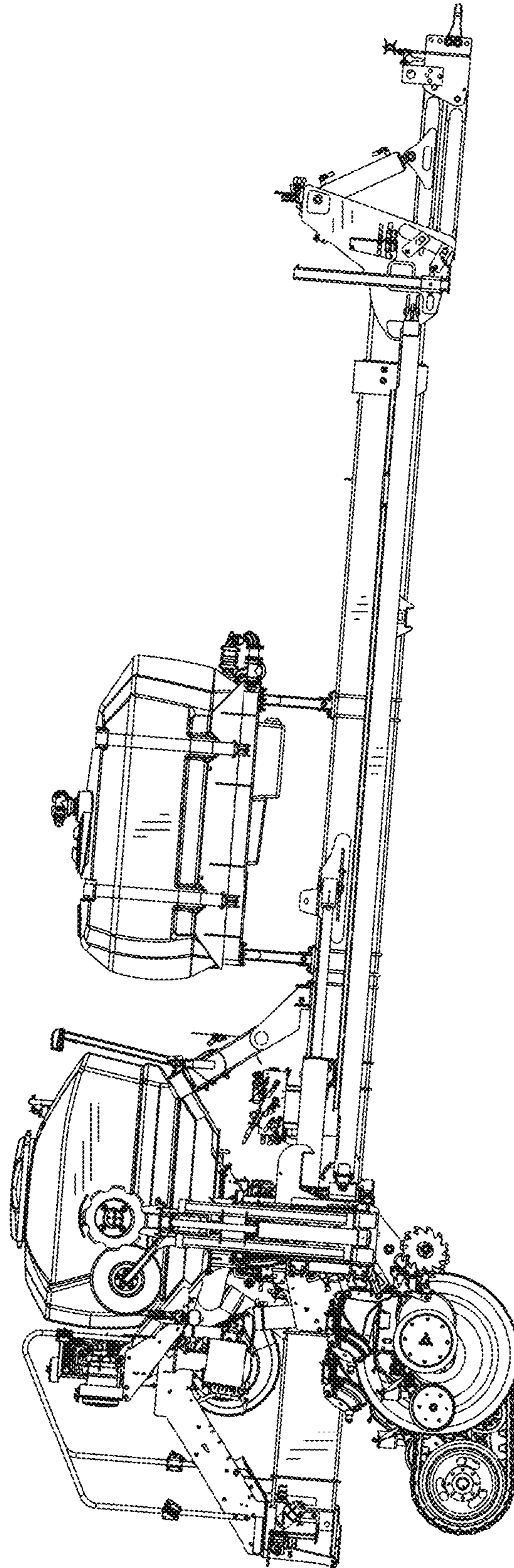


FIG. 4



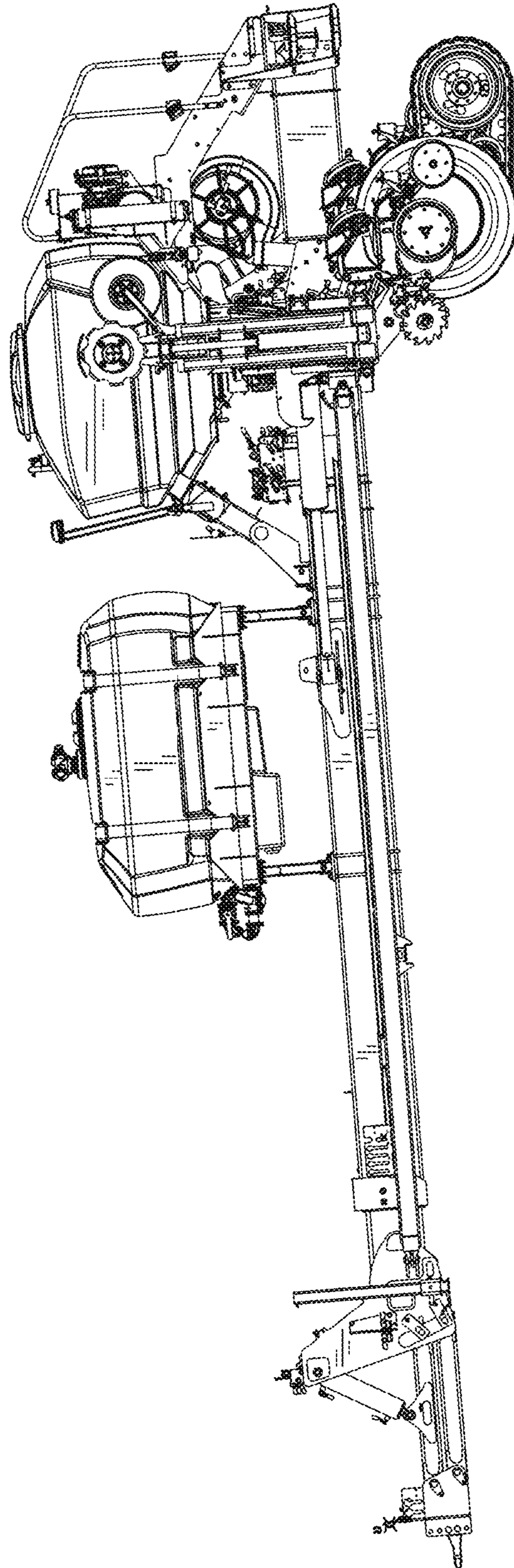


FIG. 5

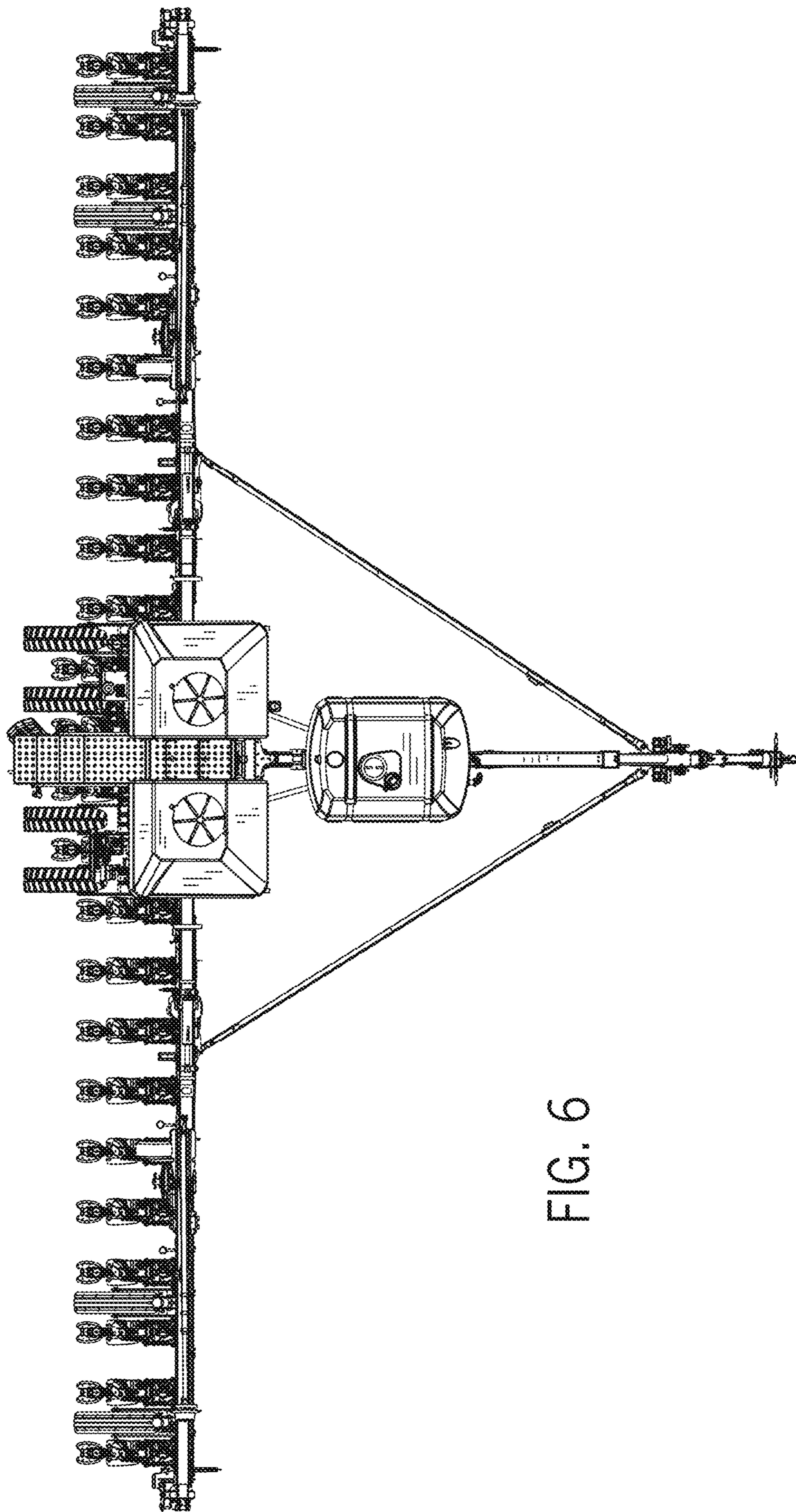


FIG. 6



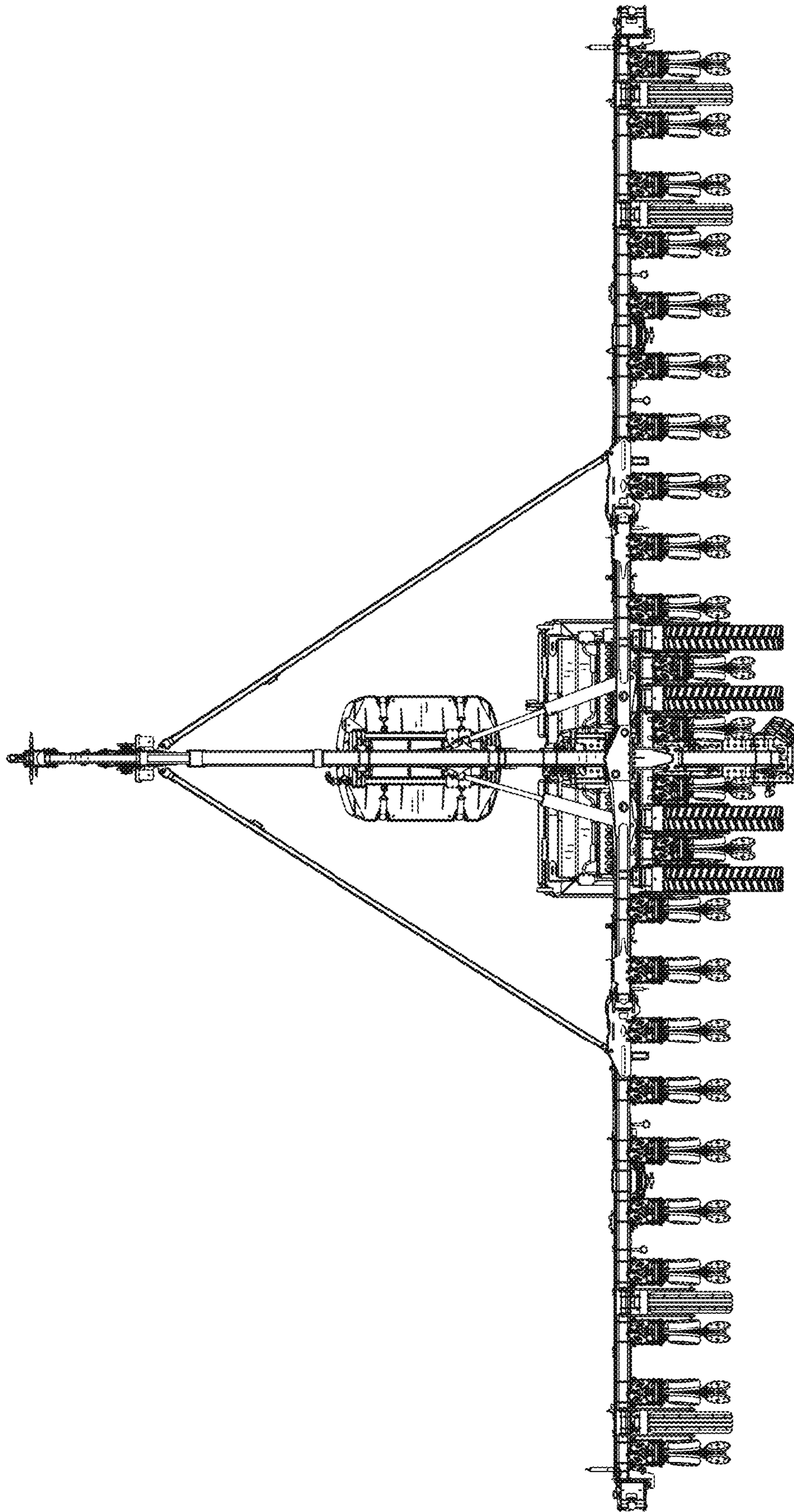


FIG. 7