



US00D958195S

(12) **United States Design Patent** (10) **Patent No.:** **US D958,195 S**
Kosmicki et al. (45) **Date of Patent:** **** *Jul. 19, 2022**

(54) **MAIN LINER FOR A PUMP**
(71) Applicant: **Weir Slurry Group, Inc.**, Madison, WI (US)
(72) Inventors: **Randy James Kosmicki**, Edgerton, WI (US); **Ronald Joseph Bourgeois**, Sun Prairie, WI (US)
(73) Assignee: **Weir Slurry Group, Inc.**, Madison, WI (US)
(*) Notice: This patent is subject to a terminal disclaimer.
(**) Term: **15 Years**
(21) Appl. No.: **29/752,331**
(22) Filed: **Sep. 26, 2020**
(51) **LOC (13) Cl.** **15-02**
(52) **U.S. Cl.**
USPC **D15/7**
(58) **Field of Classification Search**
USPC D15/7-9, 21; D23/207, 499
CPC .. F04B 47/00; F04B 25/00-04; F04B 441/06; F04B 414/03; F04D 1/00; F04D 1/04; F04D 3/02; F04D 13/0646; F04D 17/18; F04D 29/322; F04D 29/628; F04D 29/46; F04D 29/4286; F02M 37/04; F02M 37/14
See application file for complete search history.

4,900,222 A * 2/1990 Meng F04D 29/4273 415/143
D381,339 S * 7/1997 Wightley D15/7
5,813,833 A * 9/1998 Addie F04D 7/04 415/121.1

(Continued)

OTHER PUBLICATIONS

Weir Minerals, Warman Centrifugal Slurry Pumps—AH Pump, (2015), Weir Slurry Group Inc., p. 5, URL:<https://www.global.weir/assets/files/product%20brochures/Warman%20Centrifugal%20Slurry%20AH%20Pump.pdf> (Year: 2015).*

Primary Examiner — Calvin E Vansant
Assistant Examiner — Mark T. Philipps
(74) *Attorney, Agent, or Firm* — Morriss O’Bryant; Compagni Cannon, PLLC.

(57) **CLAIM**

The ornamental design for a main liner for a pump, as shown and described herein.

DESCRIPTION

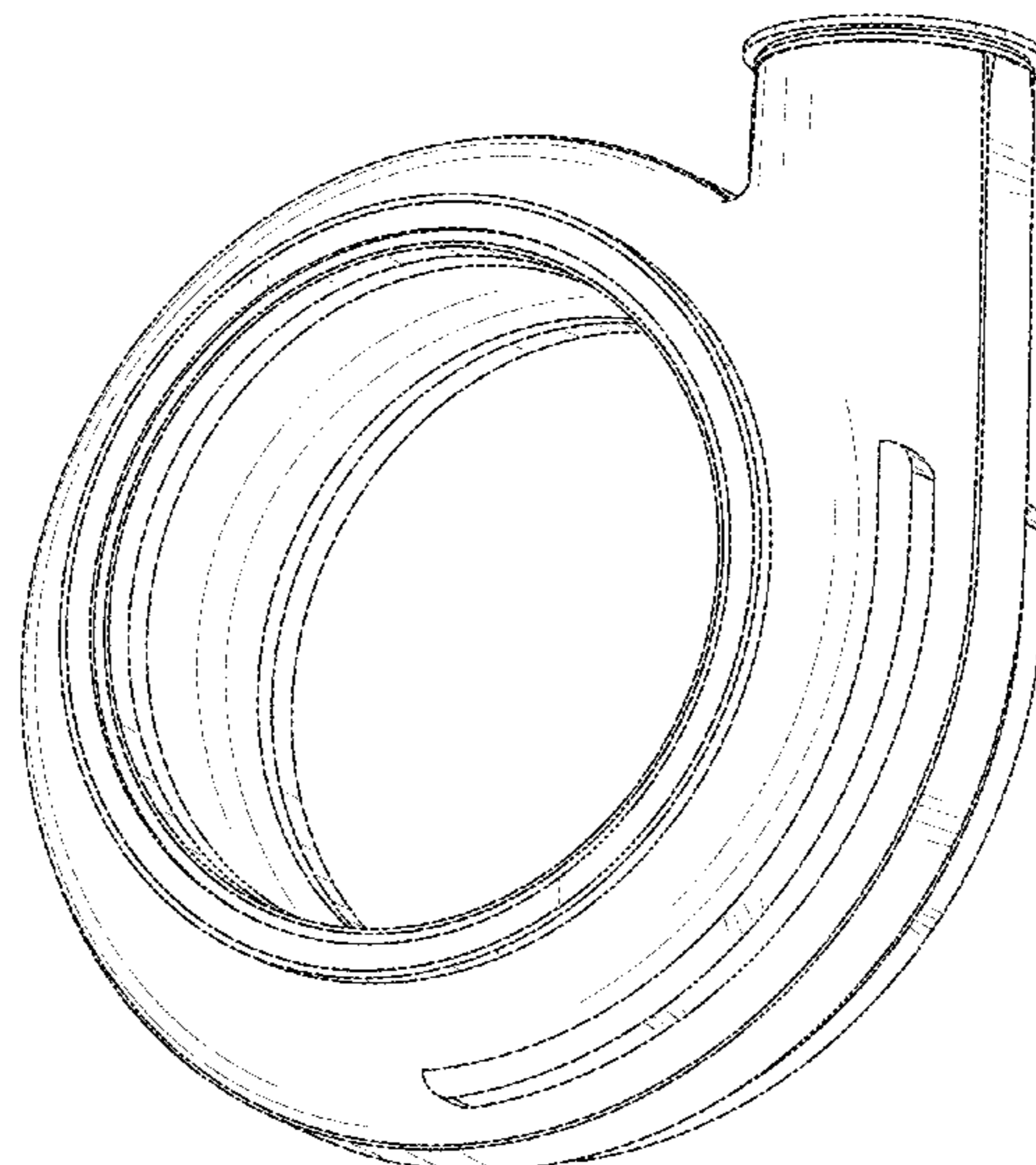
FIG. 1 is a first perspective view of the main liner of the present invention;
FIG. 2 is a second perspective view of the main liner of the present invention shown in FIG. 1;
FIG. 3 is a third perspective view of the main liner of the present invention shown in FIG. 1;
FIG. 4 is a view in elevation of a first side of the main liner;
FIG. 5 is a view in elevation of the opposing side of the main liner that is shown in FIG. 4;
FIG. 6 is a view in elevation of the main liner shown in FIG. 5, rotated ninety degrees to the right;
FIG. 7 is a view in elevation of the opposing side of the main liner that is shown in FIG. 6;
FIG. 8 is a top plan view of the main liner; and,
FIG. 9 is a bottom plan view of the main liner.

1 Claim, 7 Drawing Sheets

(56) **References Cited**

U.S. PATENT DOCUMENTS

1,337,916 A * 4/1920 Julinsen F04D 7/02 415/174.2
D195,534 S * 6/1963 Yokota D15/7
D202,145 S * 8/1965 Schroeder D15/7
D229,236 S * 11/1973 Doolin D15/7
D245,994 S * 10/1977 Olson D23/383
4,776,760 A * 10/1988 Grisz F04D 29/4286 415/128



(56)

References Cited

U.S. PATENT DOCUMENTS

6,152,719	A *	11/2000	Nelik	F04C 2/086 418/201.1
D608,677	S *	1/2010	Glaves	D15/7
D609,248	S *	2/2010	Foreman	D15/7
D609,250	S *	2/2010	Liu	D15/7
D610,165	S *	2/2010	Glaves	D15/7
D616,902	S *	6/2010	Foreman	D15/7
9,057,385	B2 *	6/2015	Burgess	F04D 29/4286
D742,420	S *	11/2015	Sullivan	D15/7
D767,637	S *	9/2016	Pappathopoulos	D15/7
D791,840	S *	7/2017	Gebert	D15/7
D836,676	S *	12/2018	Geldenhuis	D15/7
D837,833	S *	1/2019	Geldenhuis	D15/7
10,634,164	B2 *	4/2020	Rodrigues	F04D 1/006
D902,961	S *	11/2020	Park	D15/9
10,927,702	B1 *	2/2021	Park	F01D 17/165
2009/0068002	A1 *	3/2009	Burgess	F04D 29/4286 415/196
2019/0331129	A1 *	10/2019	Zimmerman	F04D 25/024
2020/0080563	A1 *	3/2020	Bustamante Sandoval	A01K 79/00

* cited by examiner

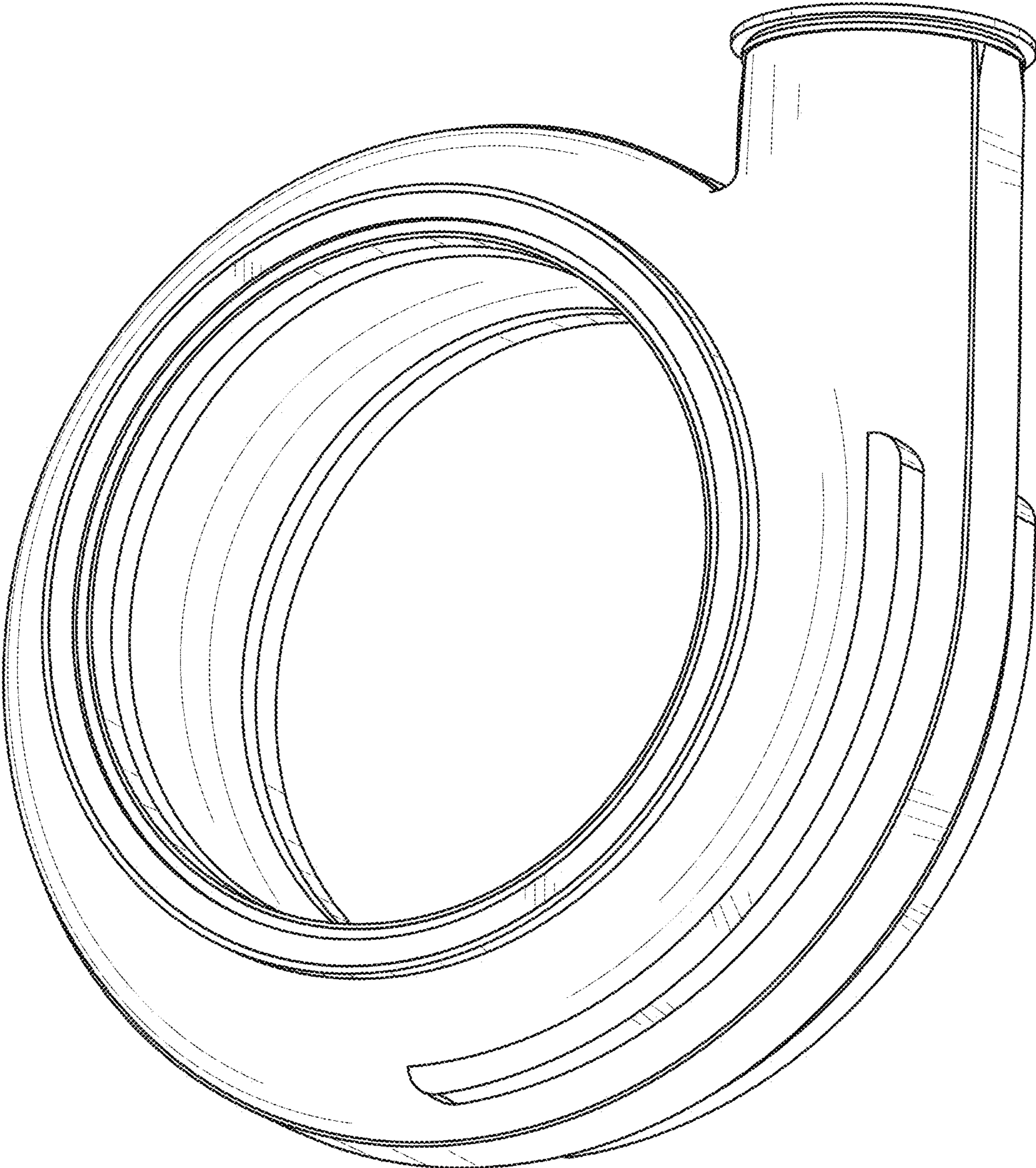


FIG. 1

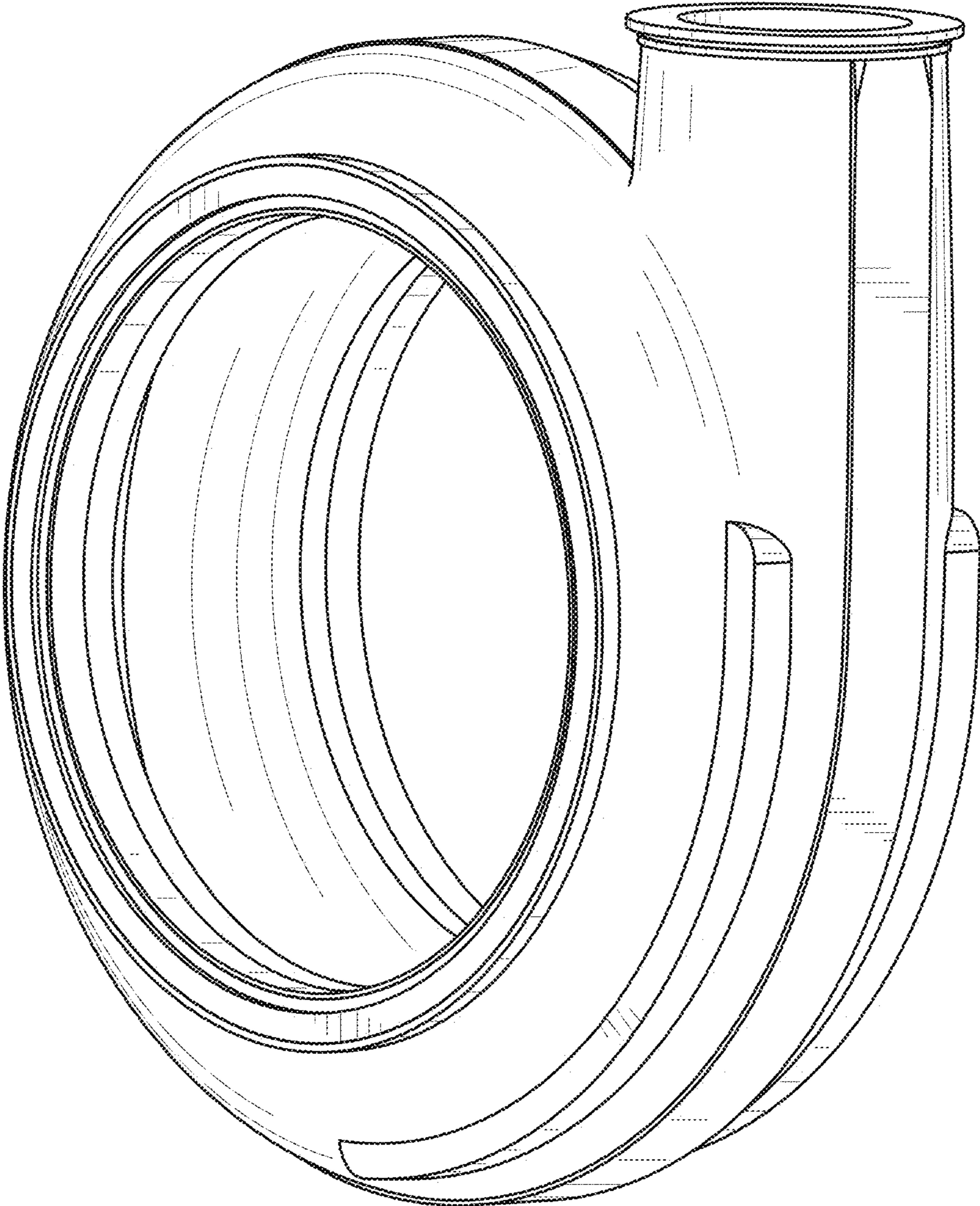


FIG. 2

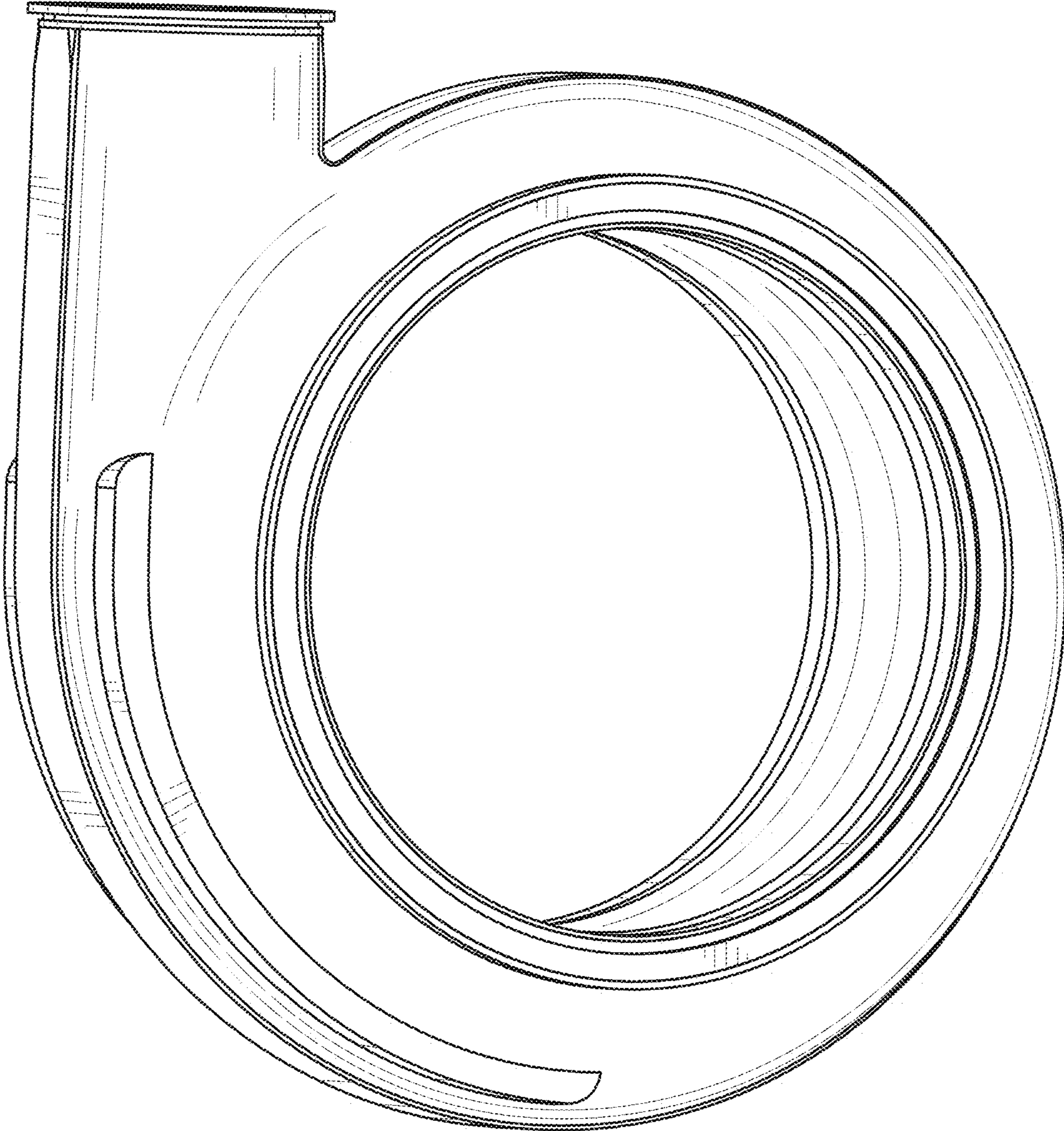


FIG. 3

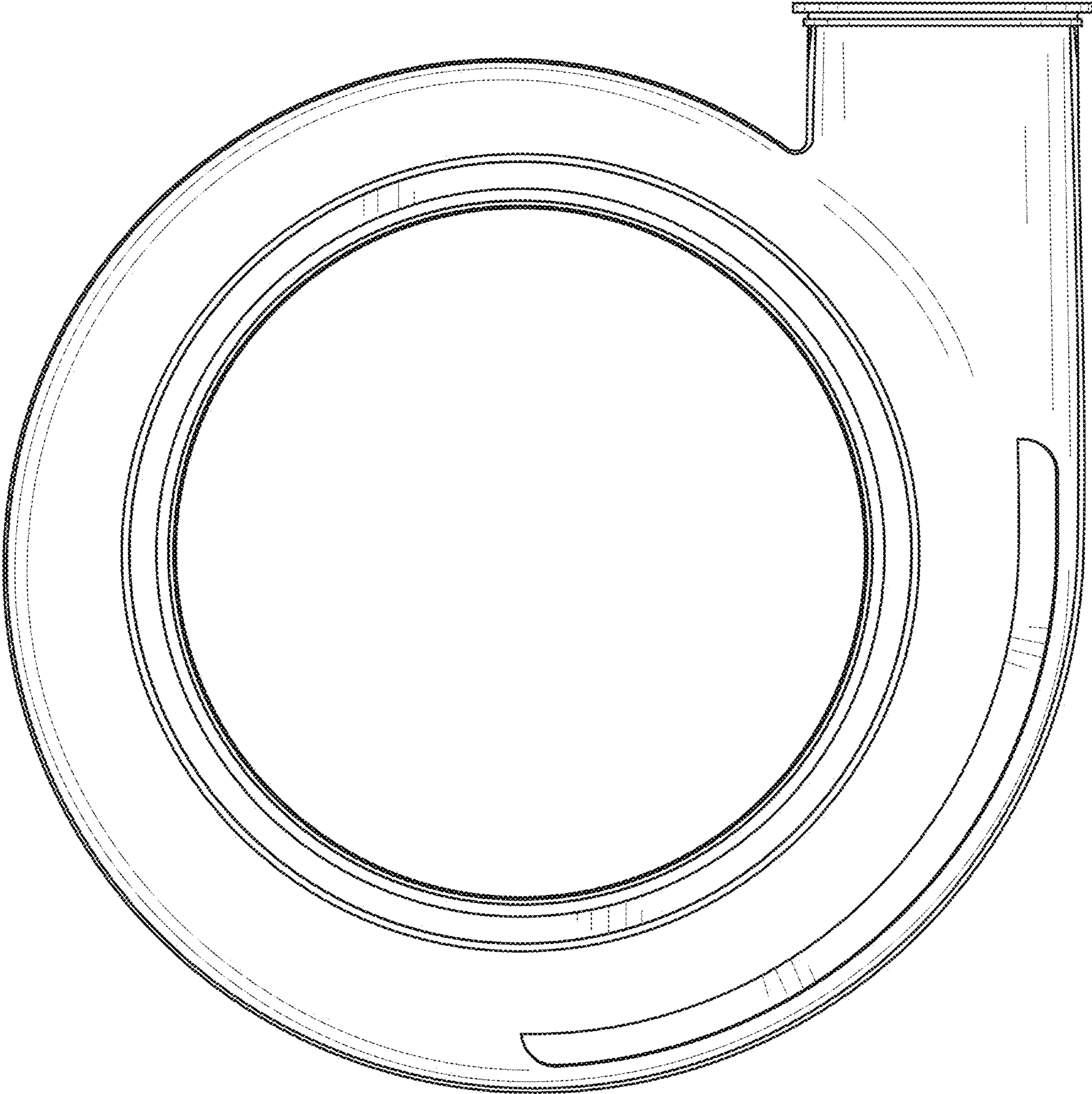


FIG. 4

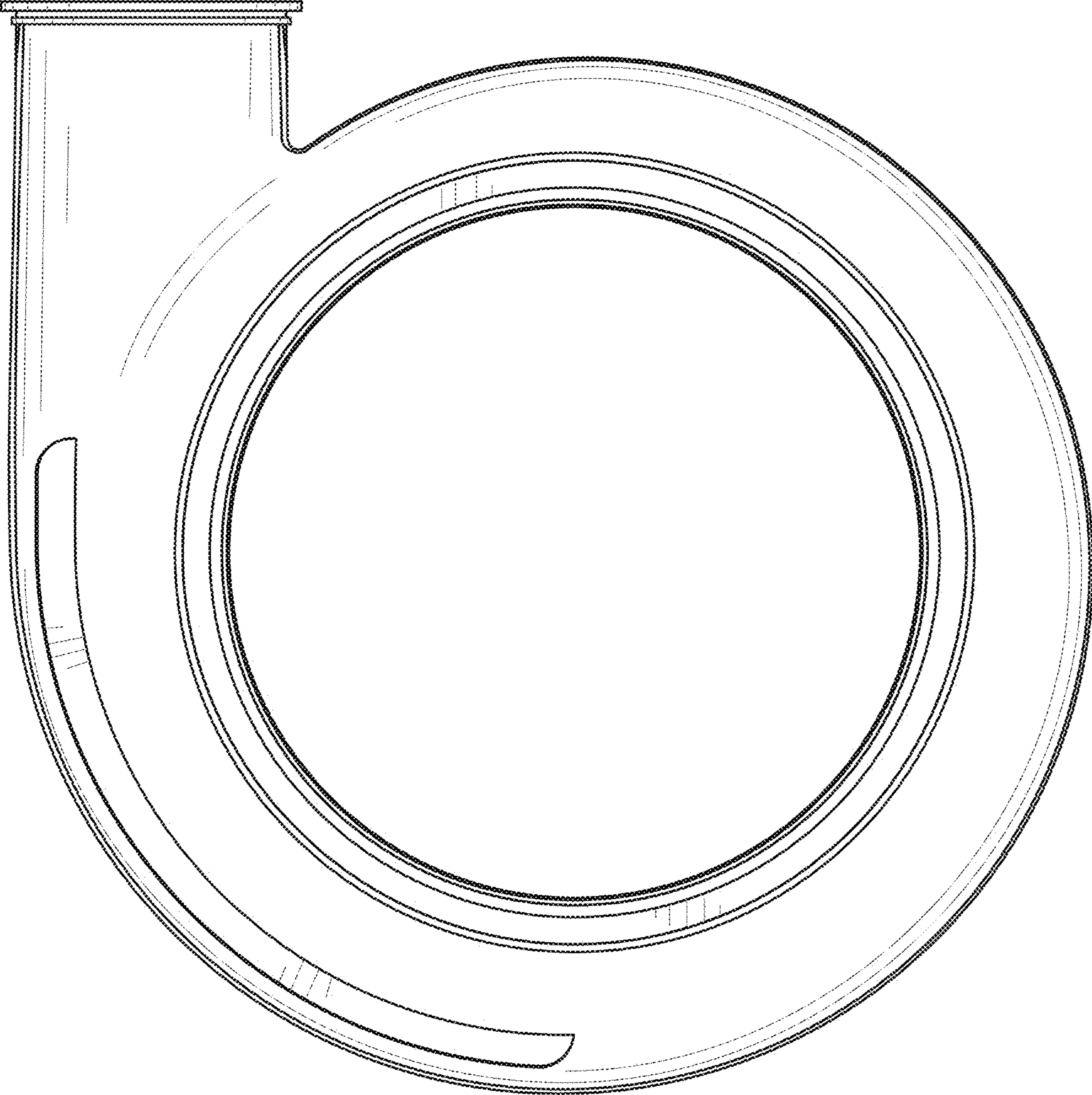


FIG. 5

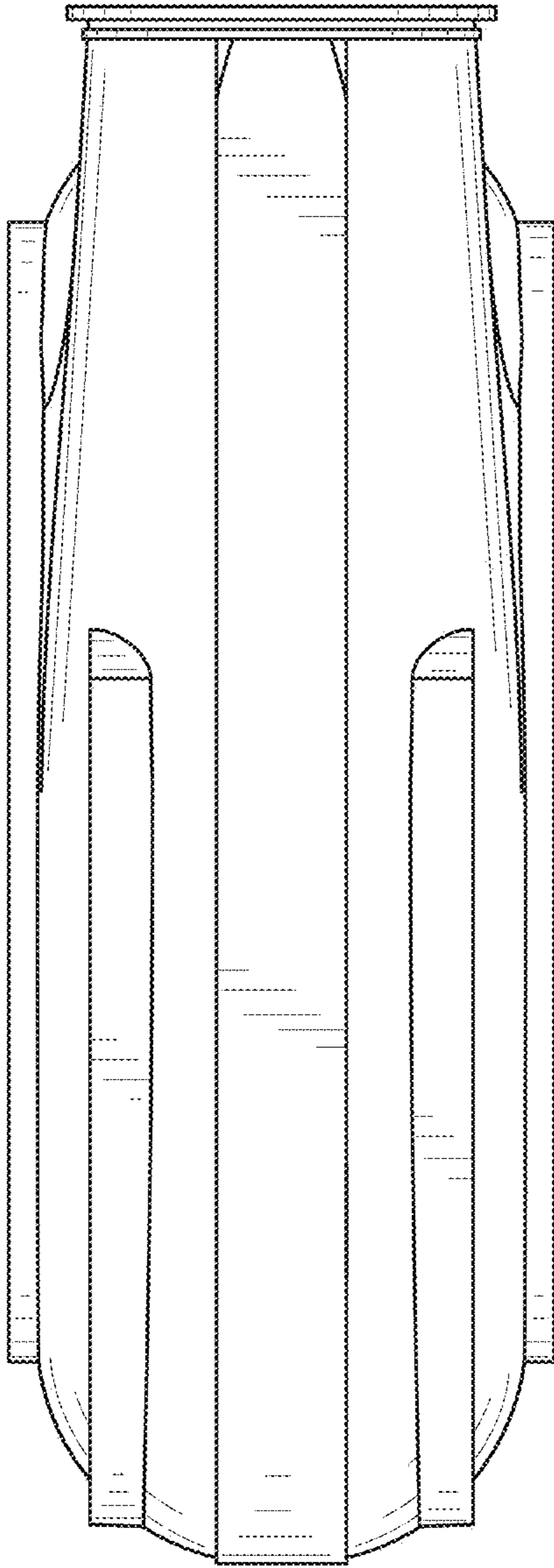


FIG. 6

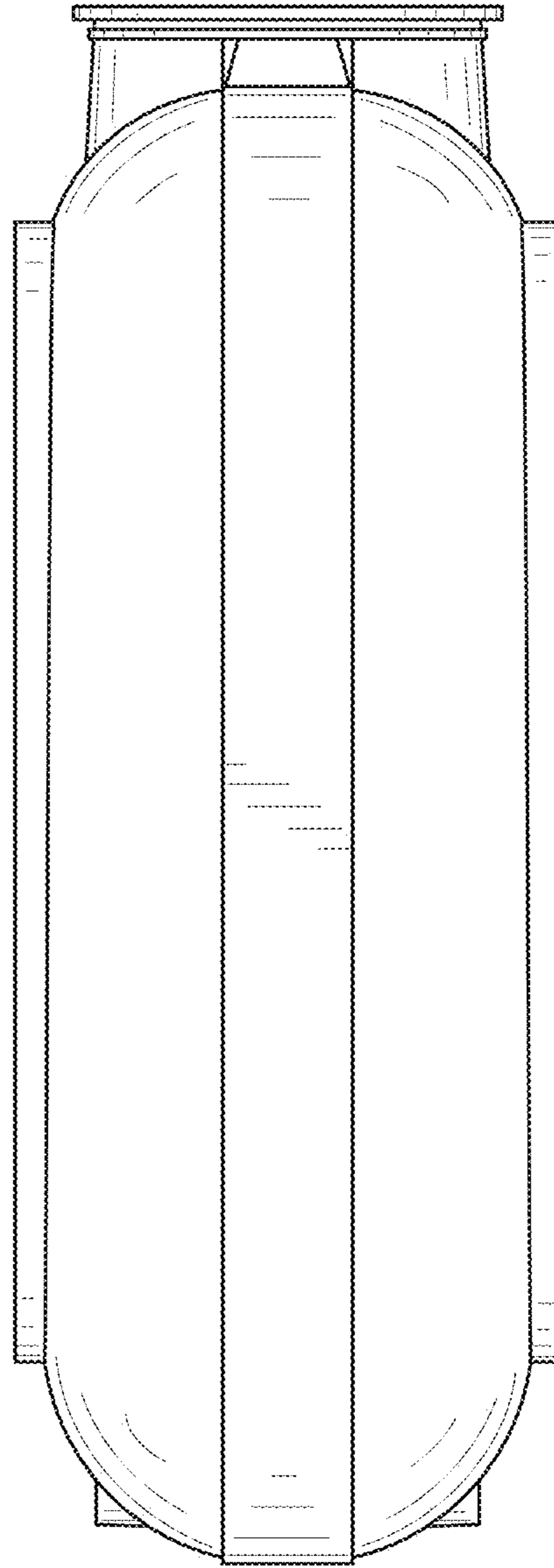


FIG. 7

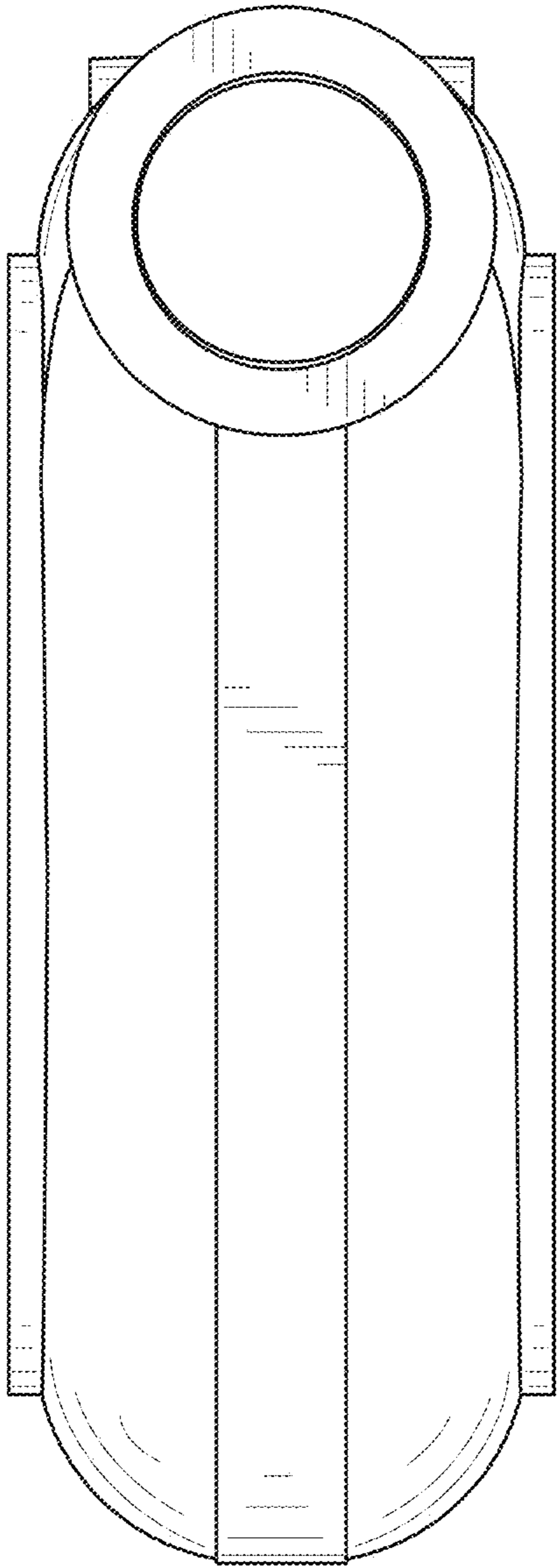


FIG. 8

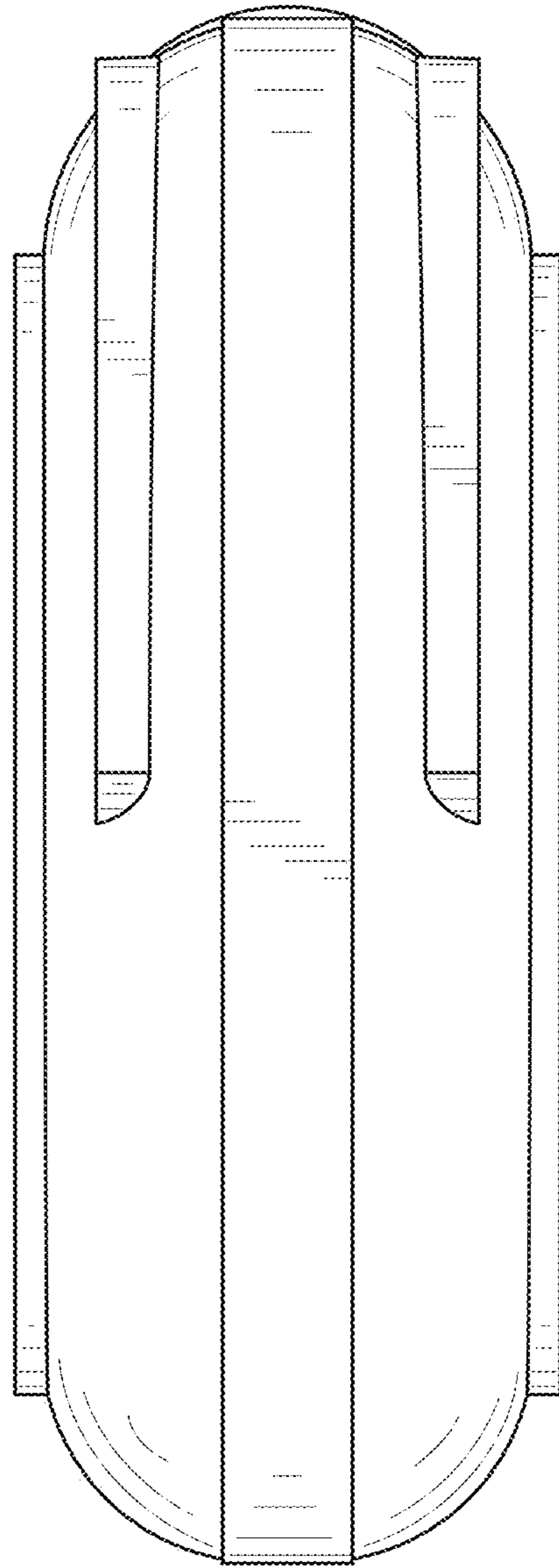


FIG. 9