



US00D958192S

(12) **United States Design Patent**
Kuehne et al.

(10) **Patent No.:** **US D958,192 S**
(45) **Date of Patent:** **** Jul. 19, 2022**

(54) **TIE BAR APPARATUS FOR AN OUTBOARD MOTOR**

(71) Applicant: **Brunswick Corporation**, Mettawa, IL (US)

(72) Inventors: **Tyler L. Kuehne**, Milwaukee, WI (US);
Robert A. Podell, Slinger, WI (US)

(73) Assignee: **Brunswick Corporation**, Mettawa, IL (US)

(**) Term: **15 Years**

(21) Appl. No.: **29/710,803**

(22) Filed: **Oct. 25, 2019**

(51) **LOC (13) Cl.** **15-01**

(52) **U.S. Cl.**
USPC **D15/4**

(58) **Field of Classification Search**
USPC D15/1, 2, 3, 4, 5, 6, 7, 199; D8/349,
D8/352, 354, 355, 380; D12/223
CPC B63H 20/06; B63H 20/12; B63H 20/08
See application file for complete search history.

(56) **References Cited**

U.S. PATENT DOCUMENTS

- 3,470,844 A * 10/1969 Brewer B63H 20/20
440/56
- 4,310,320 A * 1/1982 Pitchford B63H 5/08
440/61 F
- 6,371,820 B1 * 4/2002 Neisen B63H 20/06
440/57
- 9,499,247 B1 * 11/2016 Wiatrowski B63H 20/12
- 9,718,525 B1 * 8/2017 Wiatrowski B63H 20/06
- 10,988,222 B1 * 4/2021 Langenfeld B63H 20/28

- 2010/0273368 A1* 10/2010 Sakata B63H 25/02
440/53
- 2020/0116173 A1* 4/2020 Isom F16B 2/10
- 2020/0283110 A1* 9/2020 Bergeron B63B 1/121
- 2021/0122450 A1* 4/2021 Fukuchi B63H 20/10

* cited by examiner

Primary Examiner — Ania Aman

(74) *Attorney, Agent, or Firm* — Andrus Intellectual Property Law, LLP

(57) **CLAIM**

The ornamental design for a tie bar apparatus for an outboard motor, as shown and described.

DESCRIPTION

FIG. 1 is a front perspective view of a tie bar apparatus for an outboard motor according to our new and ornamental design;

FIG. 2 is a side view thereof;

FIG. 3 is an opposite side view thereof;

FIG. 4 is a front view thereof;

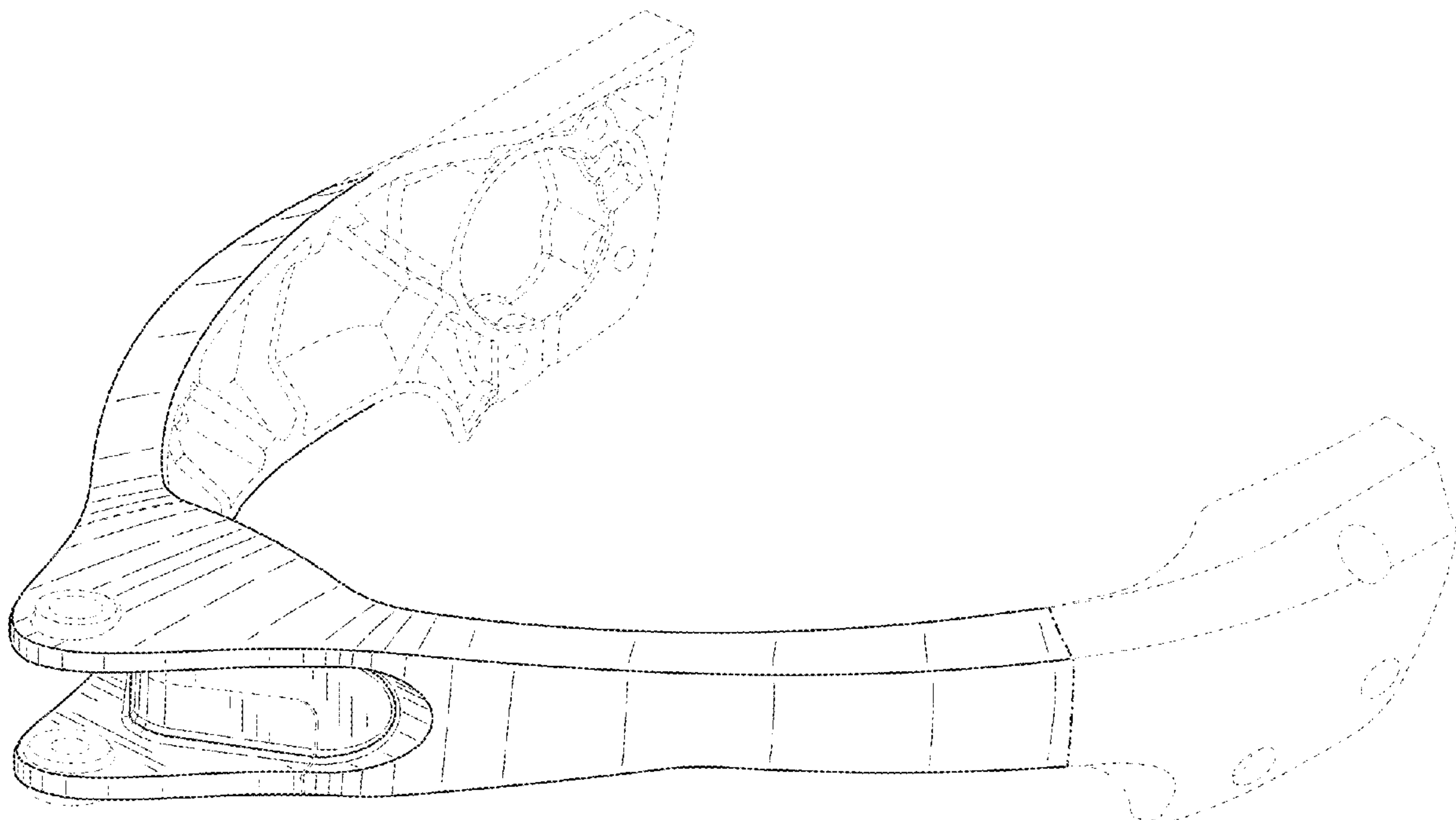
FIG. 5 is a rear view thereof;

FIG. 6 is a top view thereof; and,

FIG. 7 is a bottom view thereof.

In the drawings, the evenly spaced broken lines shown in the Figures depict portions of the tie bar apparatus for an outboard motor that form no part of the claimed design. The dash-dot-dash broken lines define the boundary of the claimed design and form no part of the claimed design.

1 Claim, 7 Drawing Sheets



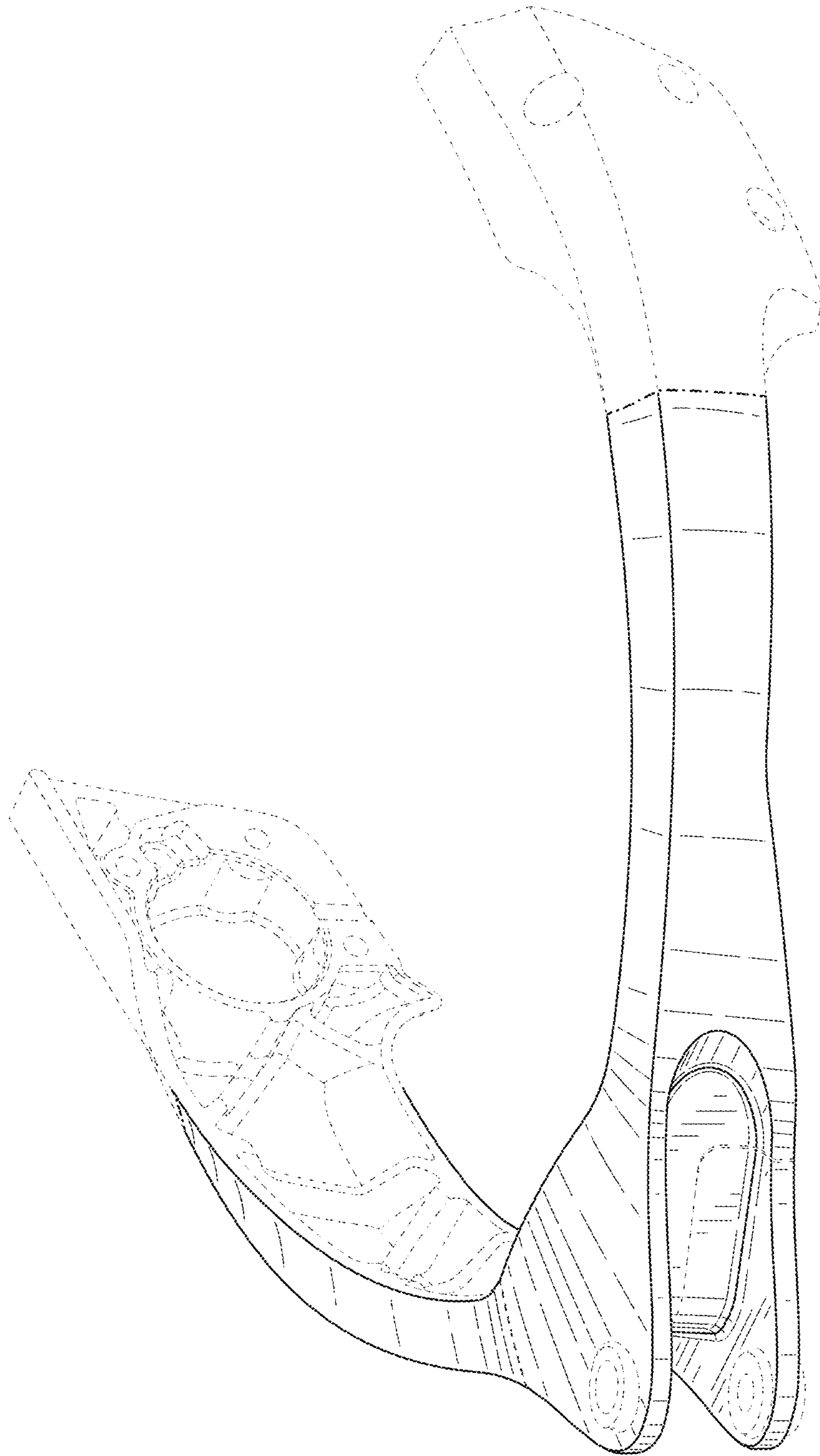


FIG. 1

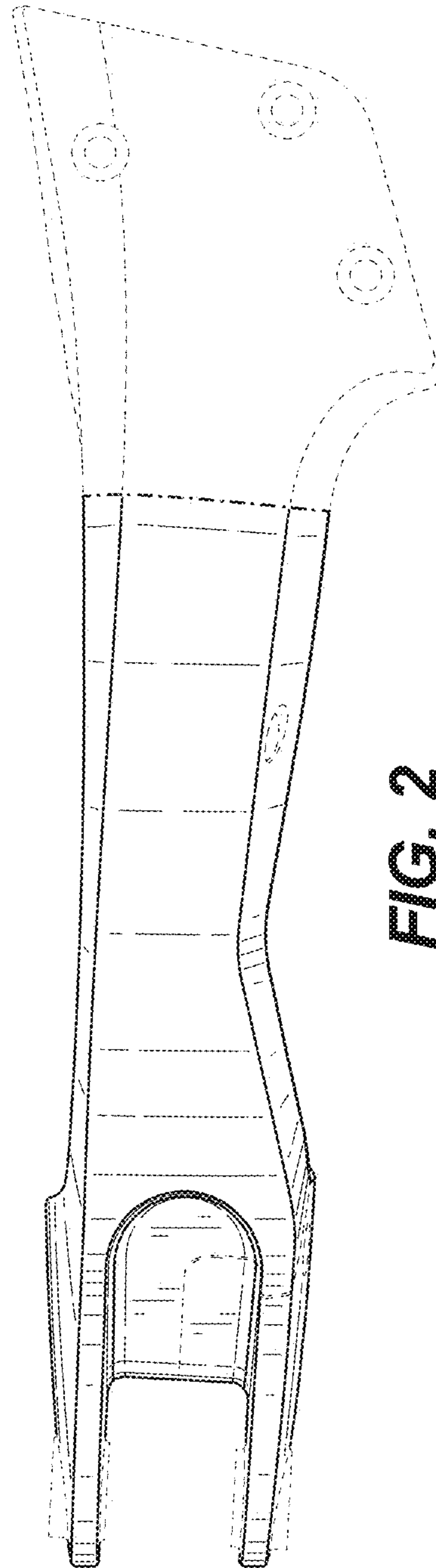


FIG. 2

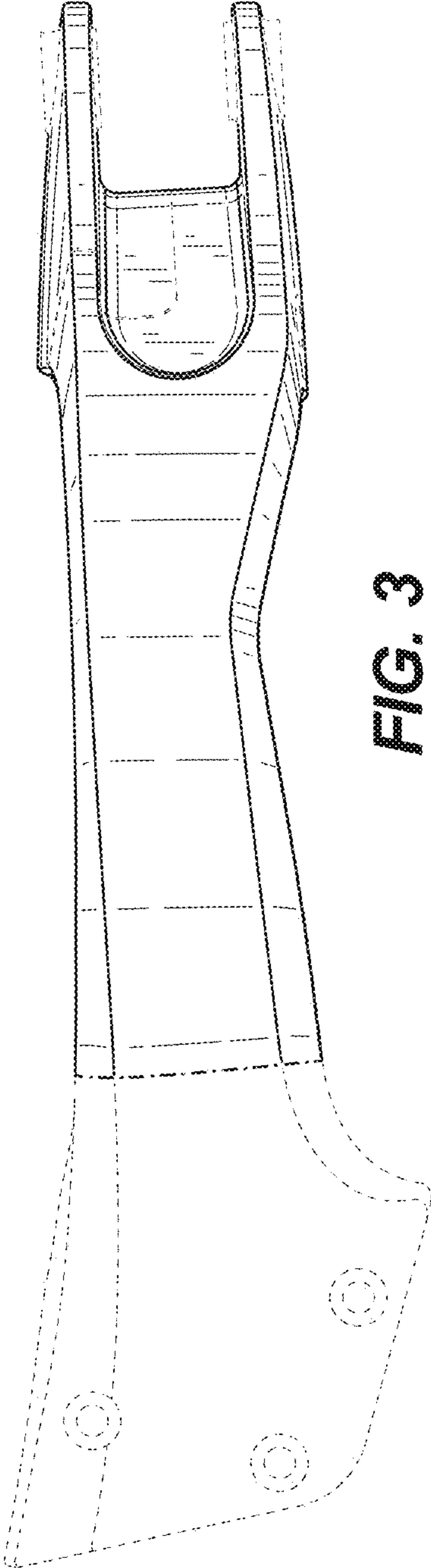


FIG. 3

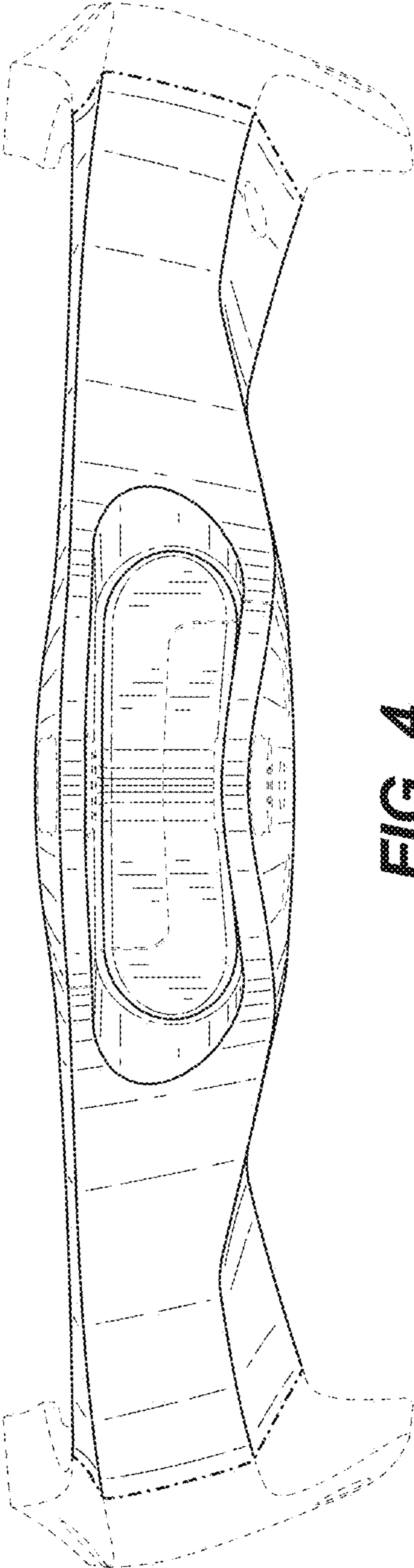


FIG. 4

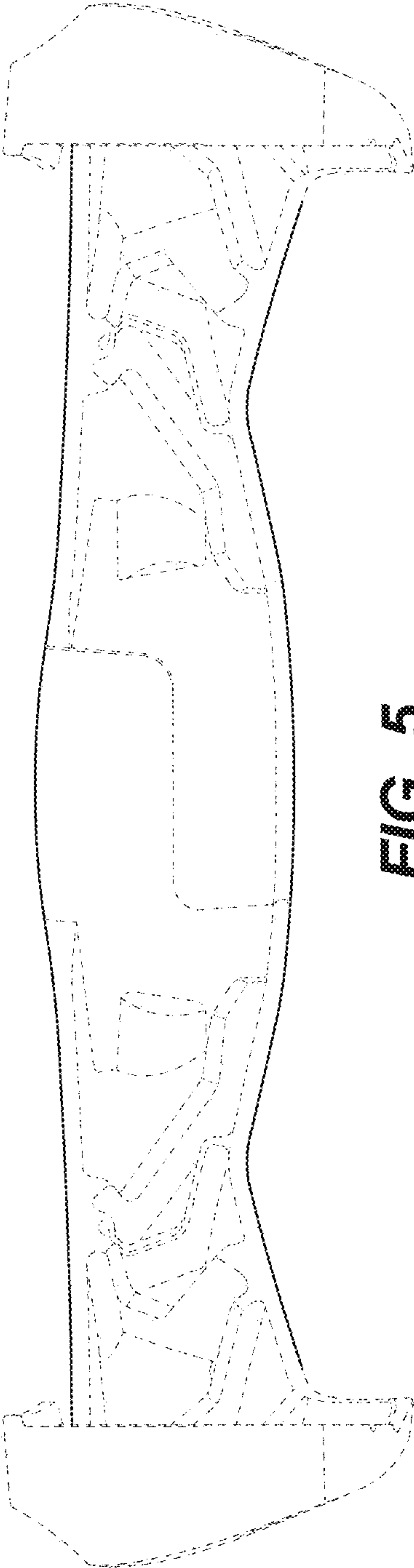


FIG. 5

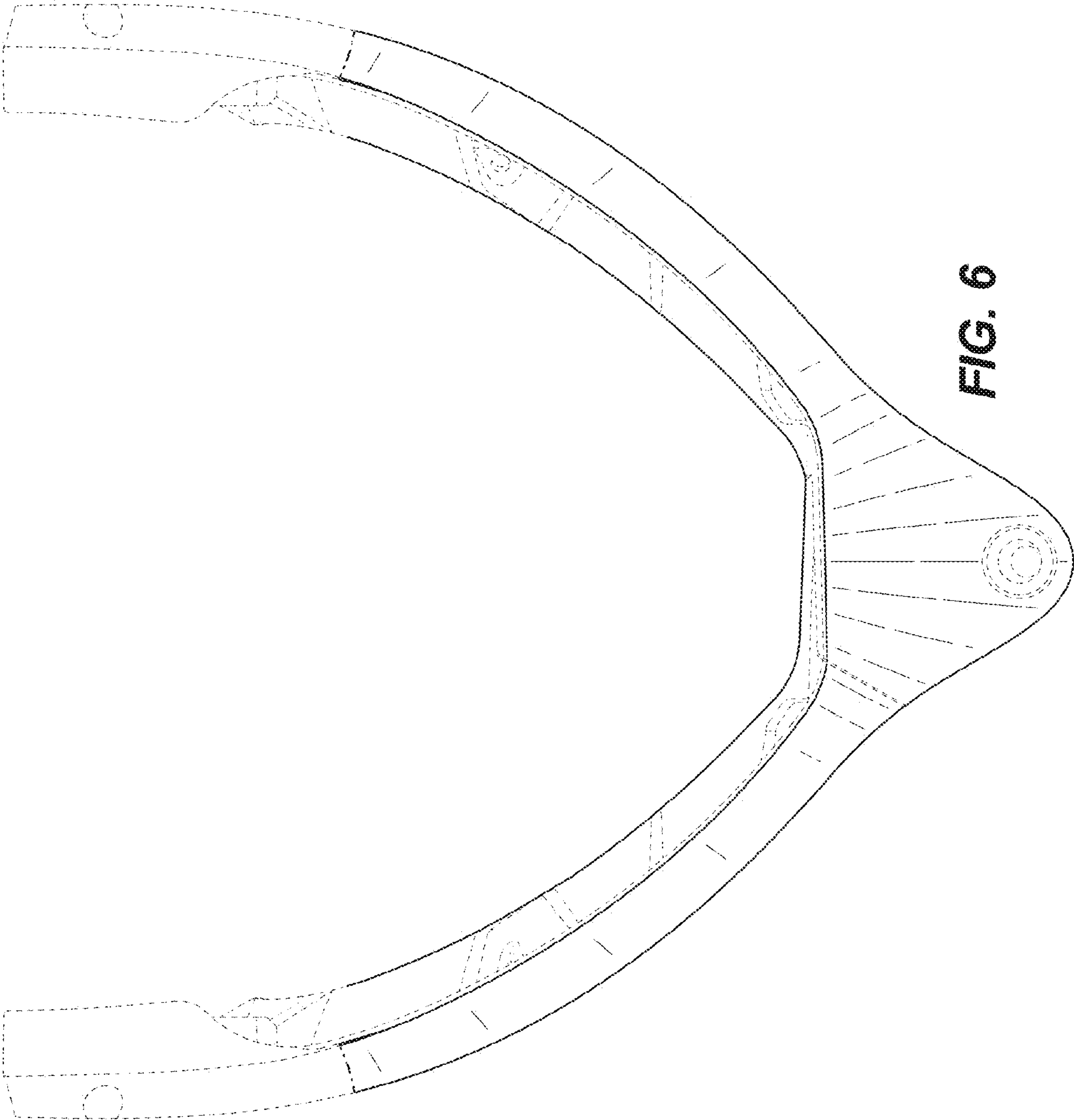


FIG. 6

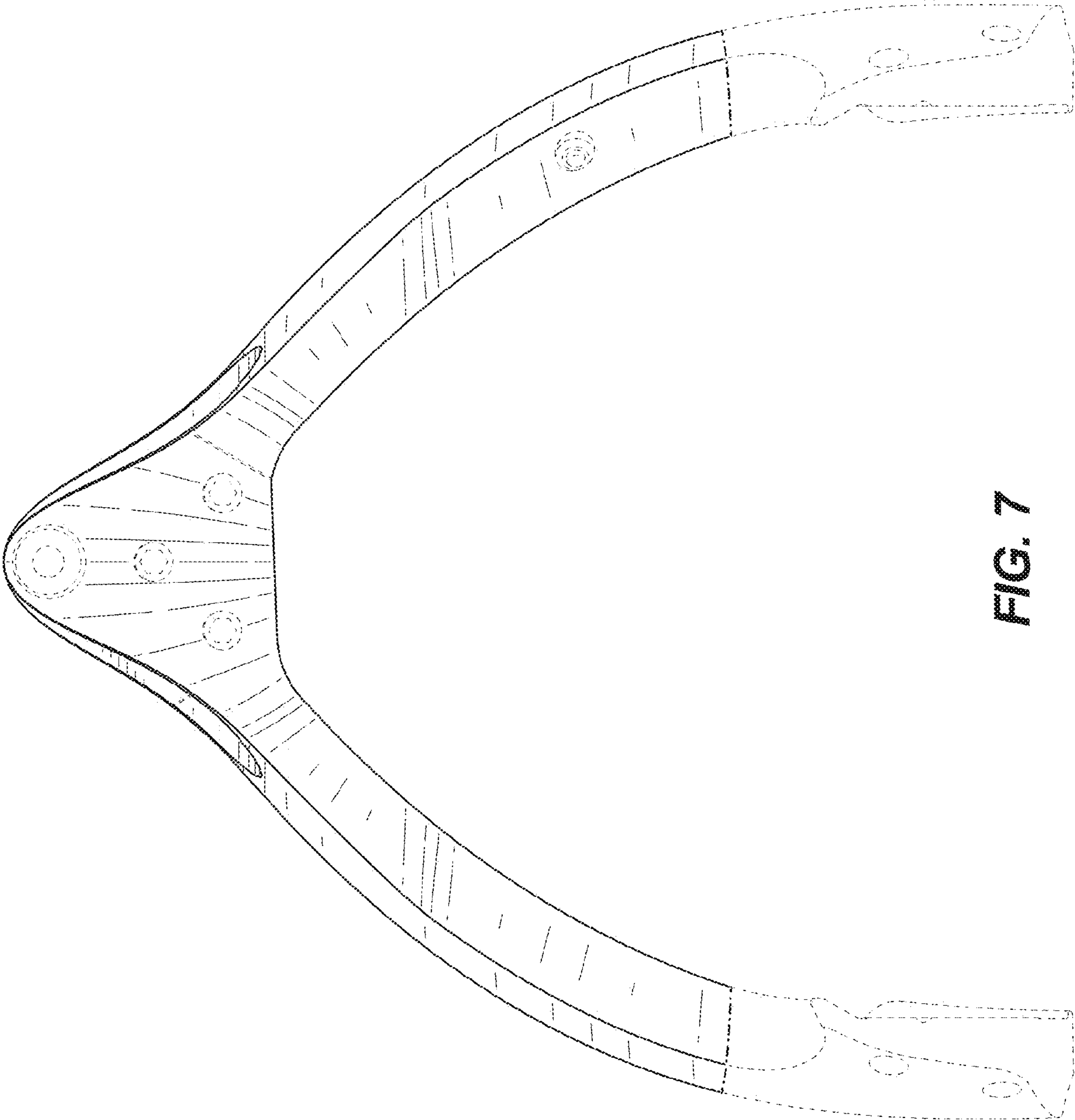


FIG. 7