



US00D958191S

(12) **United States Design Patent**
Stenegard

(10) **Patent No.:** **US D958,191 S**

(45) **Date of Patent:** **** Jul. 19, 2022**

(54) **ENGINE AND/OR ENGINE BLOCK**
(71) Applicant: **Bayerische Motoren Werke**
Aktiengesellschaft, Munich (DE)
(72) Inventor: **Ola Stenegard, Freising (DE)**
(73) Assignee: **Bayerische Motoren Werke**
Aktiengesellschaft, Munich (DE)
(**) Term: **15 Years**

D567,256 S * 4/2008 Hu D15/1
D596,199 S * 7/2009 Drysdale D15/1
D615,995 S * 5/2010 Drysdale D15/3
8,079,434 B2 * 12/2011 Mueller F01P 1/02
180/68.1
D723,430 S 3/2015 Schmidt
D819,499 S 6/2018 Hahn-Woernle
D839,921 S * 2/2019 Savage D15/3
10,315,719 B2 * 6/2019 Quade B62J 35/00
D896,274 S * 9/2020 McGinley D15/3
2014/0131128 A1 * 5/2014 Schuhmacher B60K 13/04
180/219
2019/0390628 A1 * 12/2019 Wilson F02F 1/065

(21) Appl. No.: **29/692,033**

(22) Filed: **May 22, 2019**

(30) **Foreign Application Priority Data**

Nov. 27, 2018 (DE) 402018101208.4

(51) **LOC (13) Cl.** **15-01**

(52) **U.S. Cl.**
USPC **D15/1**

(58) **Field of Classification Search**
USPC D15/1, 2, 3, 4, 5, 6, 7
CPC . B62M 7/02; B62M 7/00; F02B 61/02; F02B
75/22; B60R 2325/306
See application file for complete search history.

(56) **References Cited**

U.S. PATENT DOCUMENTS

4,392,464 A * 7/1983 Woodward F01M 11/02
123/196 R
D277,756 S * 2/1985 Davidson D15/1
D280,200 S * 8/1985 Iwakura D15/1
D294,264 S * 2/1988 Davidson D15/3
D398,265 S 9/1998 Robb et al.
6,382,169 B1 * 5/2002 Gausman F01P 7/026
123/195 R
7,096,846 B1 * 8/2006 Dondlinger F01M 11/02
123/195 R
D538,224 S * 3/2007 Prelec, Sr. D13/107

FOREIGN PATENT DOCUMENTS

EM 003152628-0001 11/2018

* cited by examiner

Primary Examiner — Ania Aman

(74) *Attorney, Agent, or Firm* — Crowell & Moring LLP

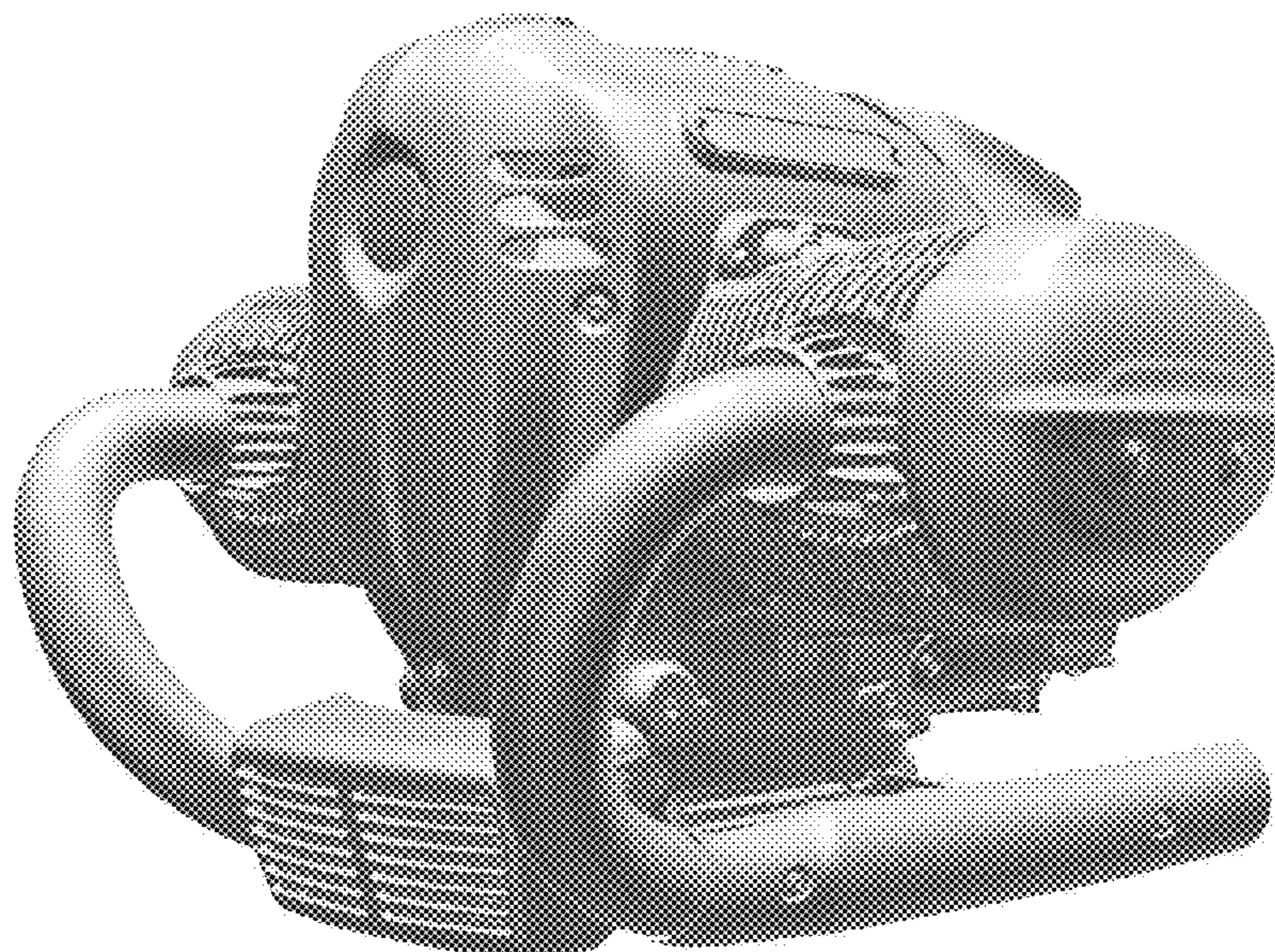
(57) **CLAIM**

The ornamental design for an engine and/or engine block, as shown and described.

DESCRIPTION

FIG. 1 is a right, front perspective view of an engine and/or engine block according to the design;
FIG. 2 is a right side view thereof;
FIG. 3 is a left side view thereof;
FIG. 4 is a front view thereof;
FIG. 5 is a rear view thereof;
FIG. 6 is a top view thereof; and,
FIG. 7 is a bottom view thereof.
The broken lines in the drawings illustrate environmental subject matter only and form no part of the claimed design.

1 Claim, 7 Drawing Sheets



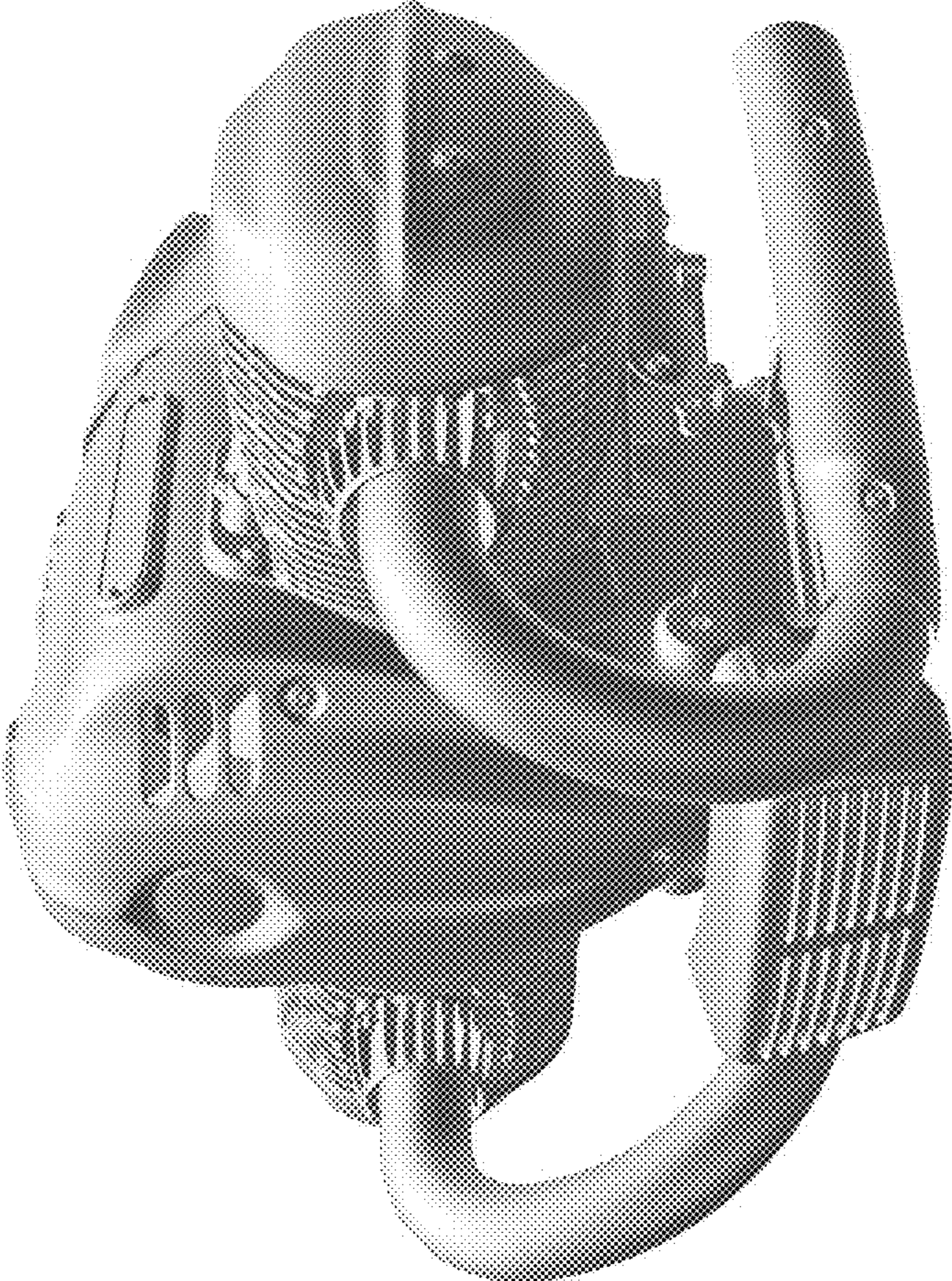


FIG. 1

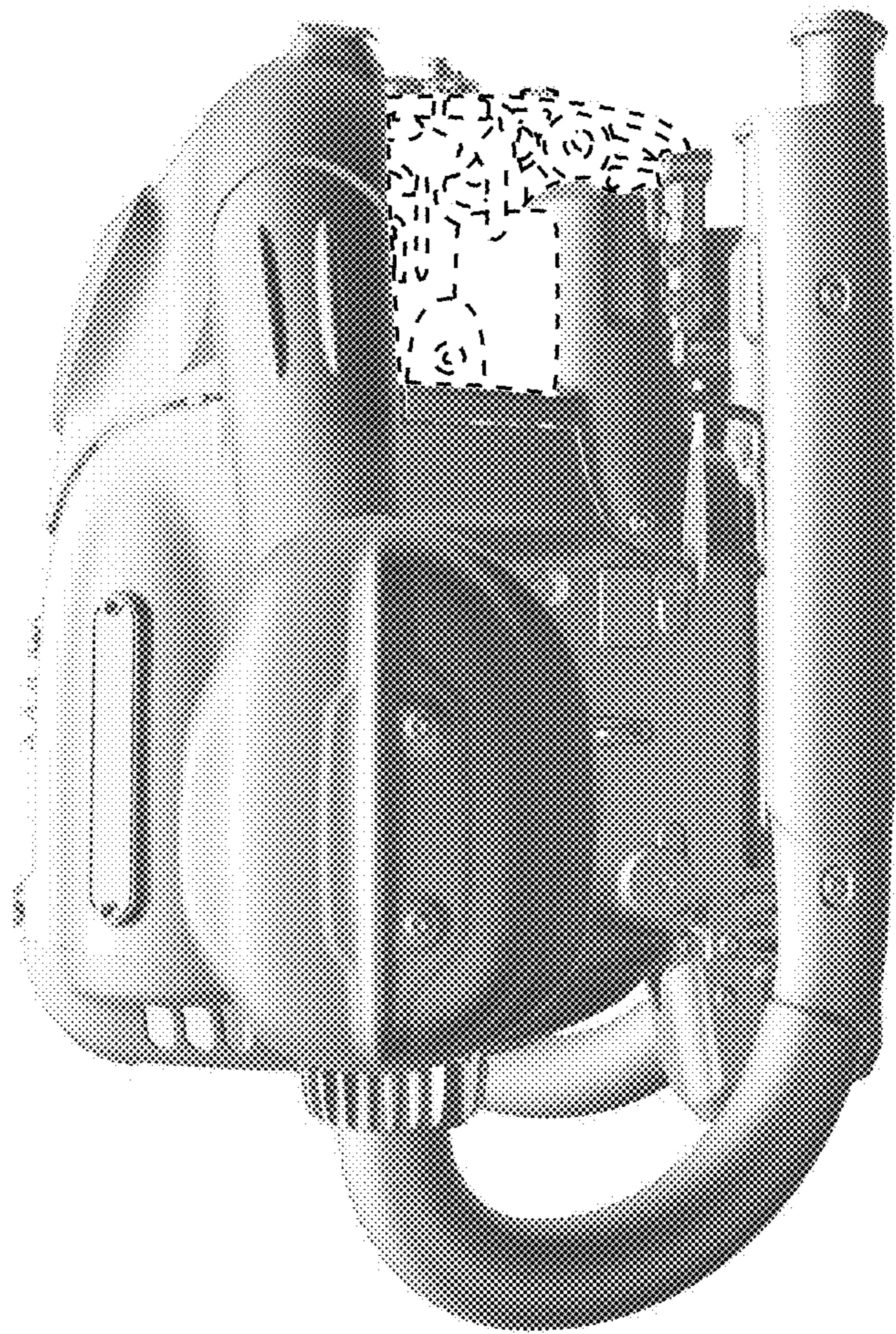


FIG. 2

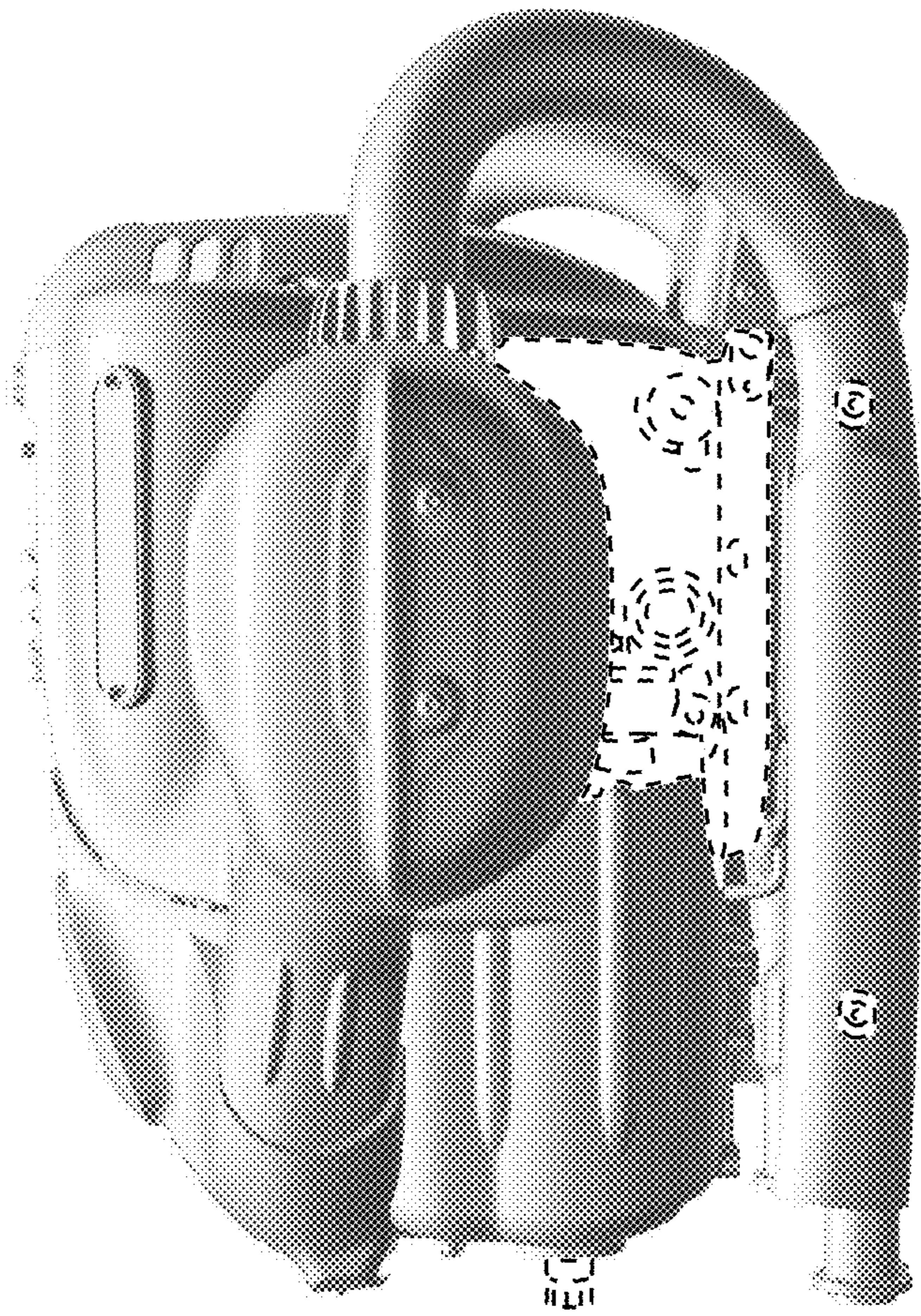


FIG. 3

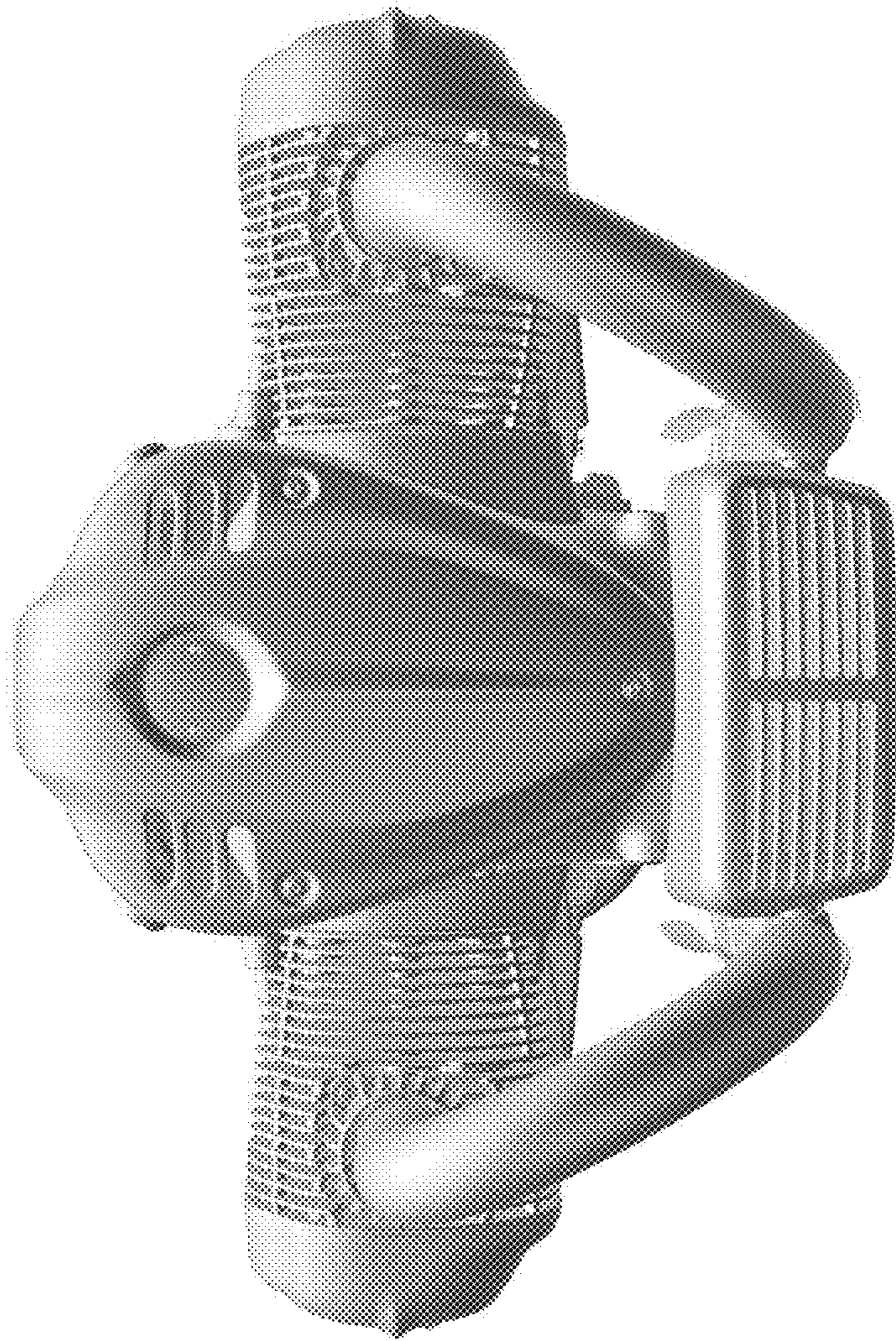


FIG. 4

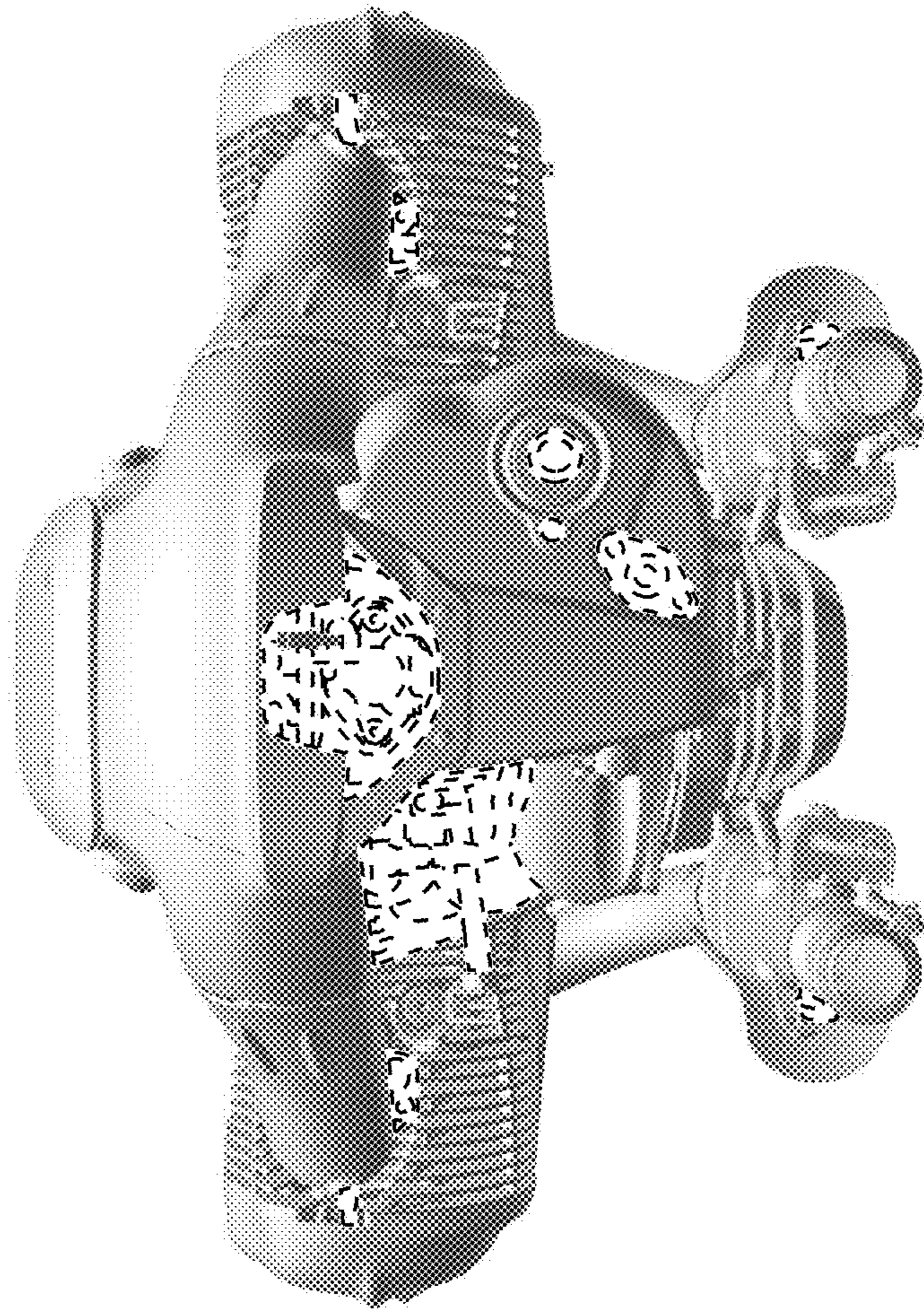


FIG. 5

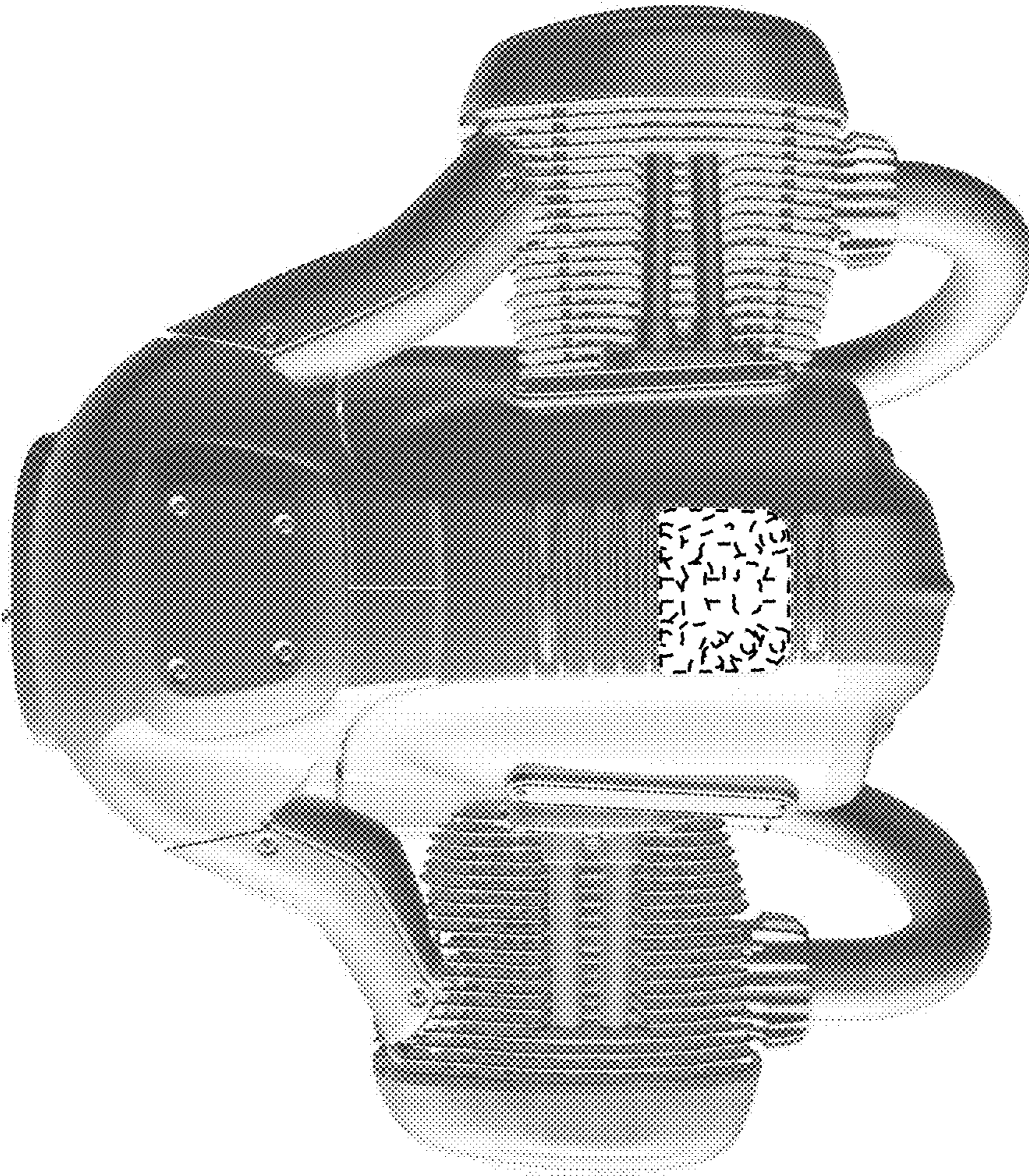


FIG. 6

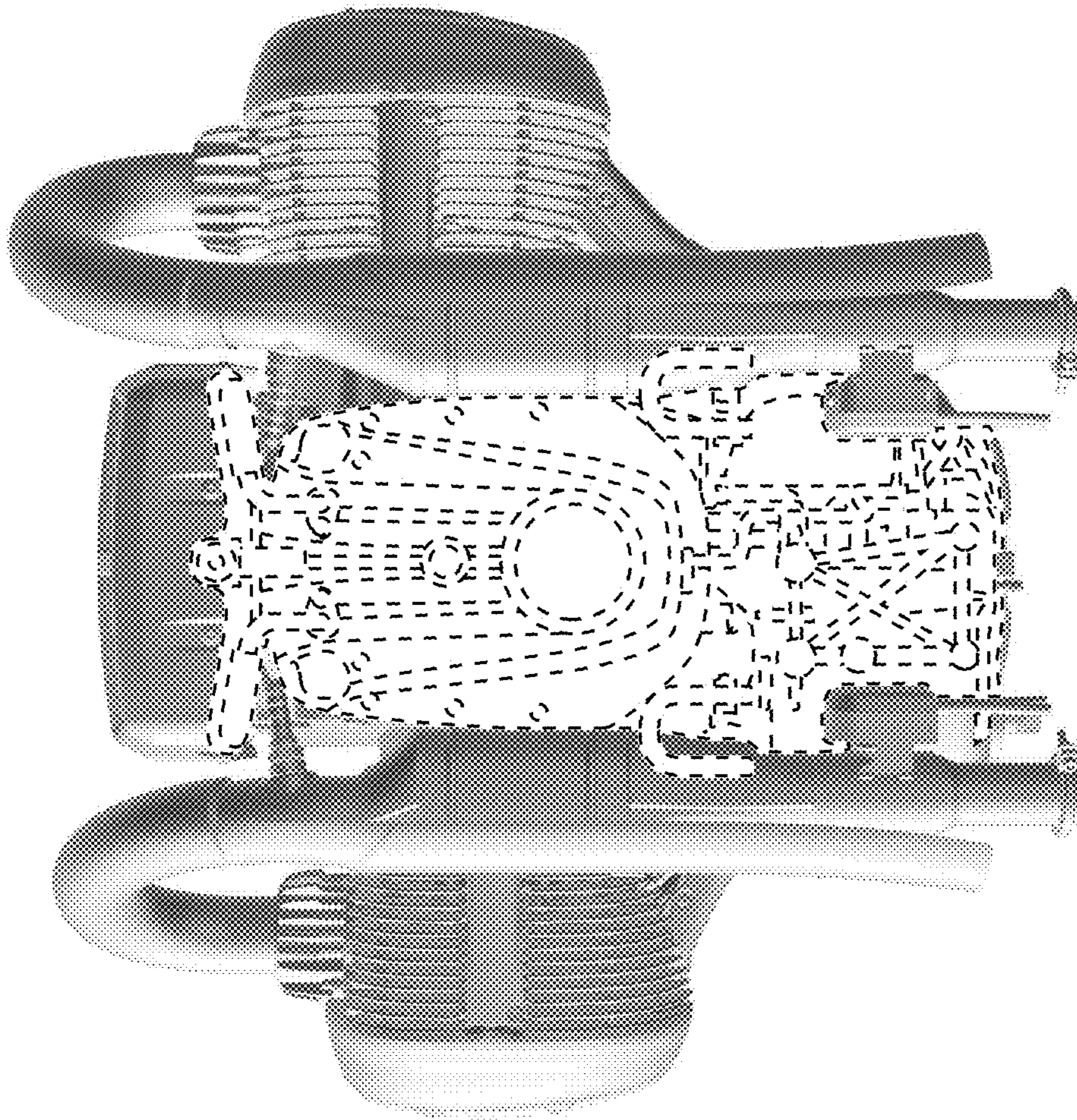


FIG. 7