



US00D958188S

(12) **United States Design Patent** (10) **Patent No.:** **US D958,188 S**
Jansen et al. (45) **Date of Patent:** **** Jul. 19, 2022**

(54) **DISPLAY SCREEN OR PORTION THEREOF WITH ANIMATED GRAPHICAL USER INTERFACE**

FOREIGN PATENT DOCUMENTS

CN 306175518 * 11/2020
CN 306189880 * 11/2020

(71) Applicant: **KONINKLIJKE PHILIPS N.V.**,
Eindhoven (NL)

(Continued)

(72) Inventors: **Johannes Antonius Jansen**, Utrecht (NL); **Riccardo Vescovo**, Amsterdam (NL)

OTHER PUBLICATIONS

“Poor Mobile Phone” Sep. 10, 2017, Dribbble, site visited Sep. 30, 2021: <https://dribbble.com/shots/3796217-Poor-Mobile-Phone#> (Year: 2017).*

(73) Assignee: **KONINKLIJKE PHILIPS N.V.**,
Eindhoven (NL)

(Continued)

(**) Term: **15 Years**

Primary Examiner — Jack Reickel
Assistant Examiner — Christopher M Spivey

(21) Appl. No.: **29/823,170**

(57) **CLAIM**

(22) Filed: **Jan. 14, 2022**

The ornamental design for a display screen or portion thereof with animated graphical user interface, as shown and described.

Related U.S. Application Data

(62) Division of application No. 29/726,207, filed on Mar. 2, 2020, now Pat. No. Des. 944,292.

DESCRIPTION

(30) **Foreign Application Priority Data**

Sep. 2, 2019 (EM) 006807731

(51) **LOC (13) Cl.** **14-04**

(52) **U.S. Cl.**
USPC **D14/492**

(58) **Field of Classification Search**
USPC D14/485–495

(Continued)

FIG. 1 is a front view of a first image in a sequence of a display screen or portion thereof with animated graphical user interface, showing our new design;
FIG. 2 is a front view of a second image thereof;
FIG. 3 is a front view of a third image thereof;
FIG. 4 is a front view of a fourth image thereof;
FIG. 5 is a front view of a fifth image thereof;
FIG. 6 is a front view of a sixth image thereof; and,
FIG. 7 is a front view of a seventh image thereof.
The appearance of the animated graphical user interface sequentially transitions between the images shown in FIGS. 1-7. The process or period in which an image transitions to another image forms no part of the claimed design.
The broken lines show an exemplary article onto which the display screen is positioned, and form no part of the claimed design.

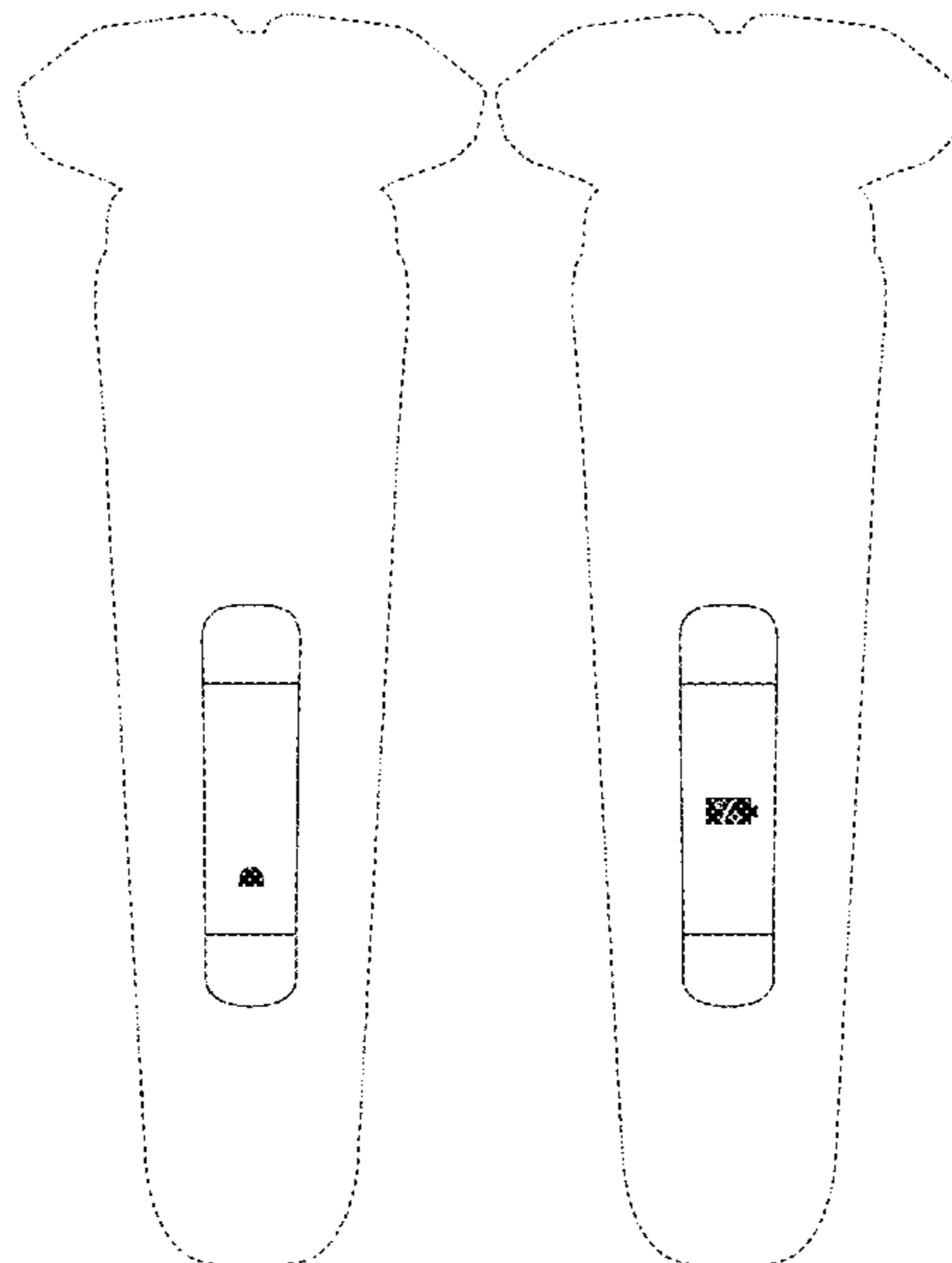
(56) **References Cited**

U.S. PATENT DOCUMENTS

D509,510 S * 9/2005 Hernandez D14/489
D671,955 S * 12/2012 Song D14/486

(Continued)

1 Claim, 7 Drawing Sheets



(58) **Field of Classification Search**

CPC . G01R 31/3646; Y02T 10/70; G06F 3/04817;
 G06F 3/048; G06F 3/0481; G06F 3/0482;
 G06F 3/0483; G06F 3/04842; G06F
 3/0485; G06F 3/04855; G06F 3/0486;
 G06F 3/0488; G06F 3/04886; G06F
 1/165; H04W 52/0261

See application file for complete search history.

(56)

References Cited

U.S. PATENT DOCUMENTS

8,784,271 B2 * 7/2014 Brumback G06F 1/3265
 482/8
 D739,417 S * 9/2015 Laverack D14/485
 D750,661 S * 3/2016 Funnell, II D14/487
 D754,722 S * 4/2016 Xu D14/488
 D767,628 S * 9/2016 Kim D14/488
 D768,178 S * 10/2016 Valade D14/488
 D774,518 S * 12/2016 Lv D14/485
 D792,439 S * 7/2017 Lee D14/486
 D801,373 S * 10/2017 Vaglio G06F 3/04842
 D14/486
 D818,002 S * 5/2018 Park D14/491
 D857,032 S * 8/2019 Devine D14/485
 D875,770 S * 2/2020 Amini D14/486
 D893,534 S * 8/2020 Lindberg D14/490

D900,103 S * 10/2020 Bidwell D14/428
 D916,886 S * 4/2021 Choi D14/489
 D928,835 S * 8/2021 Kuo D14/492
 D933,097 S * 10/2021 Jeon D14/492
 D941,867 S * 1/2022 Choi D14/490
 D944,292 S * 2/2022 Jansen D14/492
 2014/0266731 A1 * 9/2014 Malhotra G06F 1/163
 340/573.1
 2018/0253135 A1 * 9/2018 Singh H04W 52/0261
 2020/0050242 A1 * 2/2020 Seo G06F 1/1656
 2021/0081088 A1 * 3/2021 Voss G06Q 10/107
 2021/0162115 A1 * 6/2021 Surine G06F 3/04886

FOREIGN PATENT DOCUMENTS

CN 307118535 * 2/2022
 WO D207363-001 * 8/2020

OTHER PUBLICATIONS

“Shaver series 9000 SensoTouch | Philips | Wet & dry electric shaver | RQ1290” Mar. 2, 2016, YouTube, site visited Jun. 3, 2021: <http://youtube.com/watch?v=St272q6EPT0> (Year: 2016).*
 King, Oliver “Battery” Feb. 3, 2017, Dribbble, site visited Feb. 24, 2022: <https://dribbble.com/shots/3265215-Battery> (Year: 2017).*

* cited by examiner

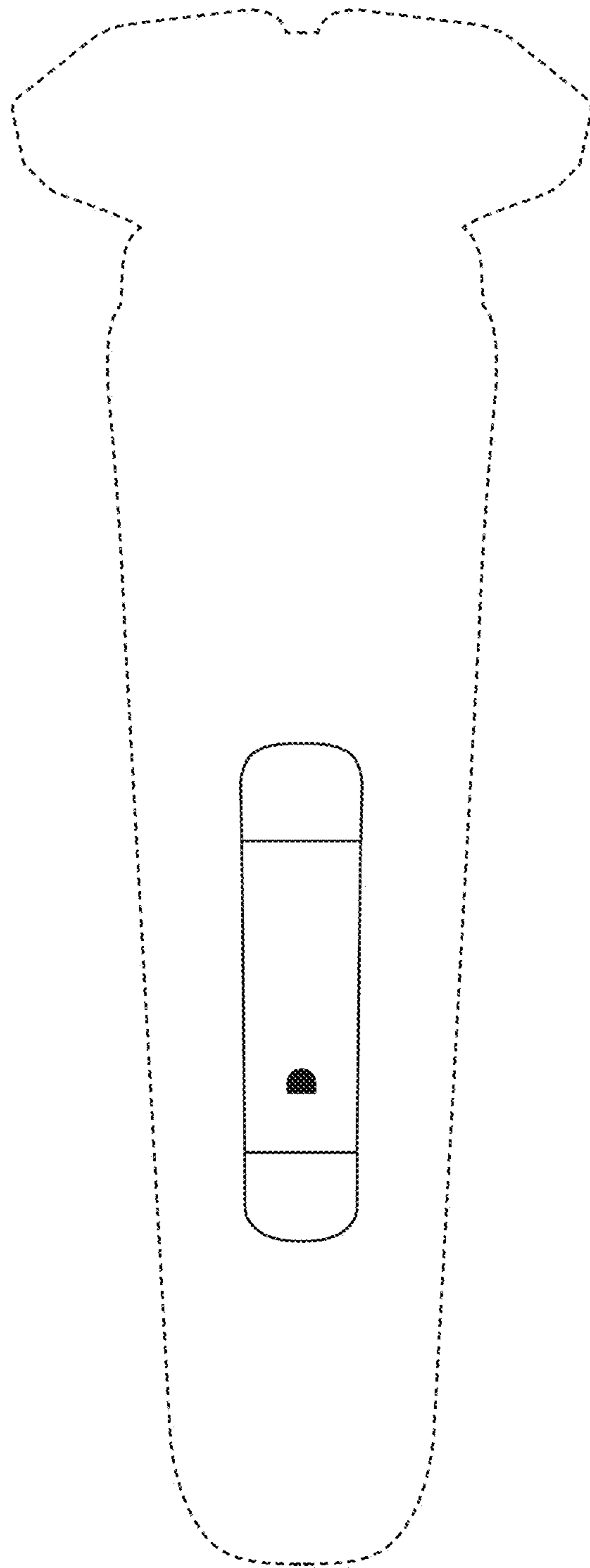


FIG. 1

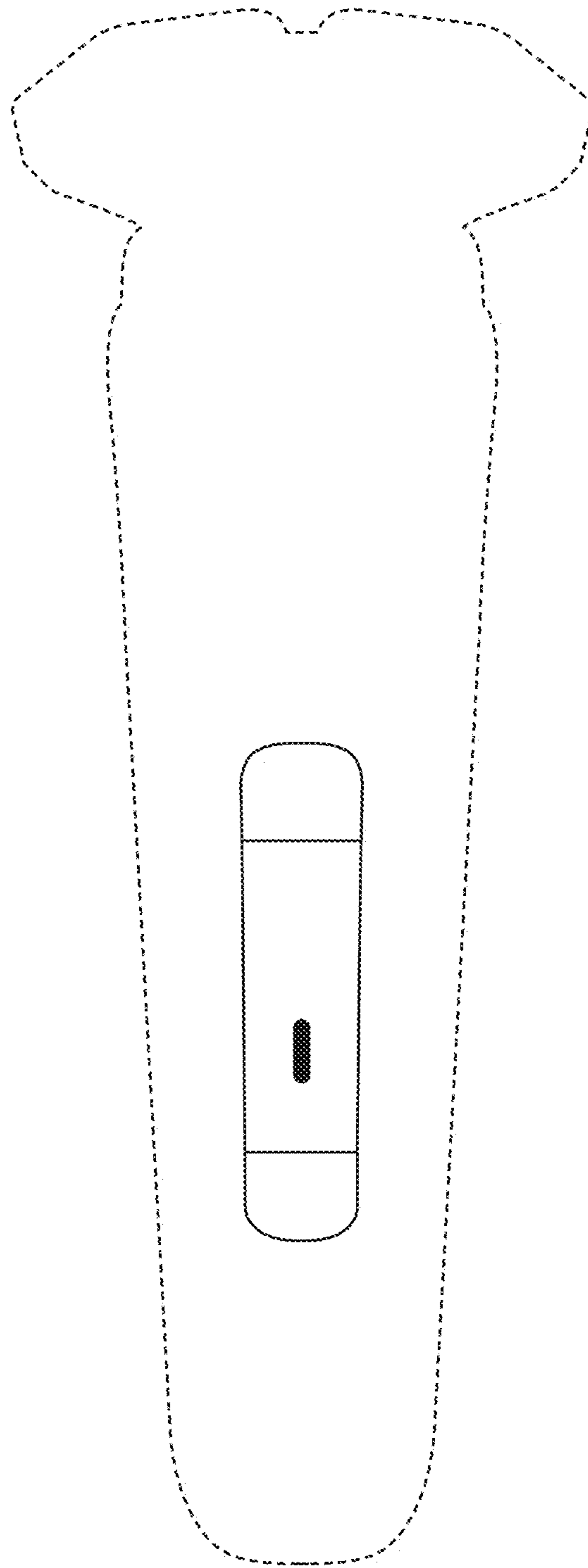


FIG. 2

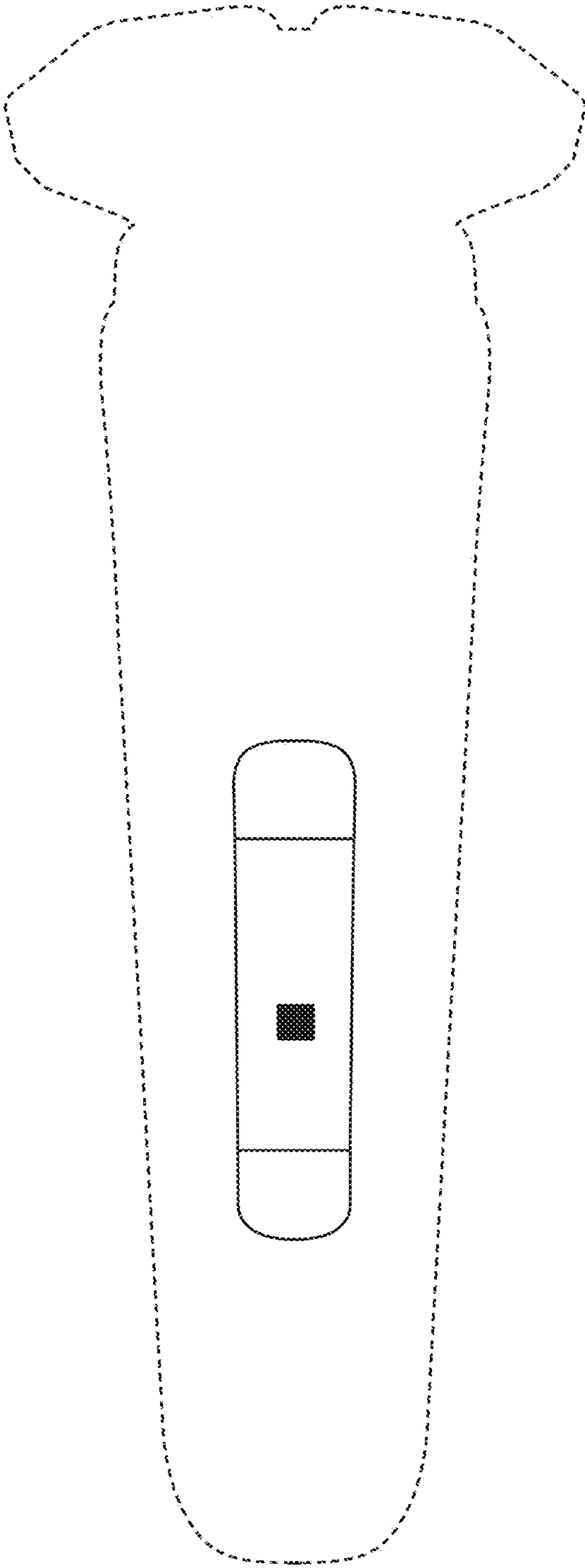


FIG. 3

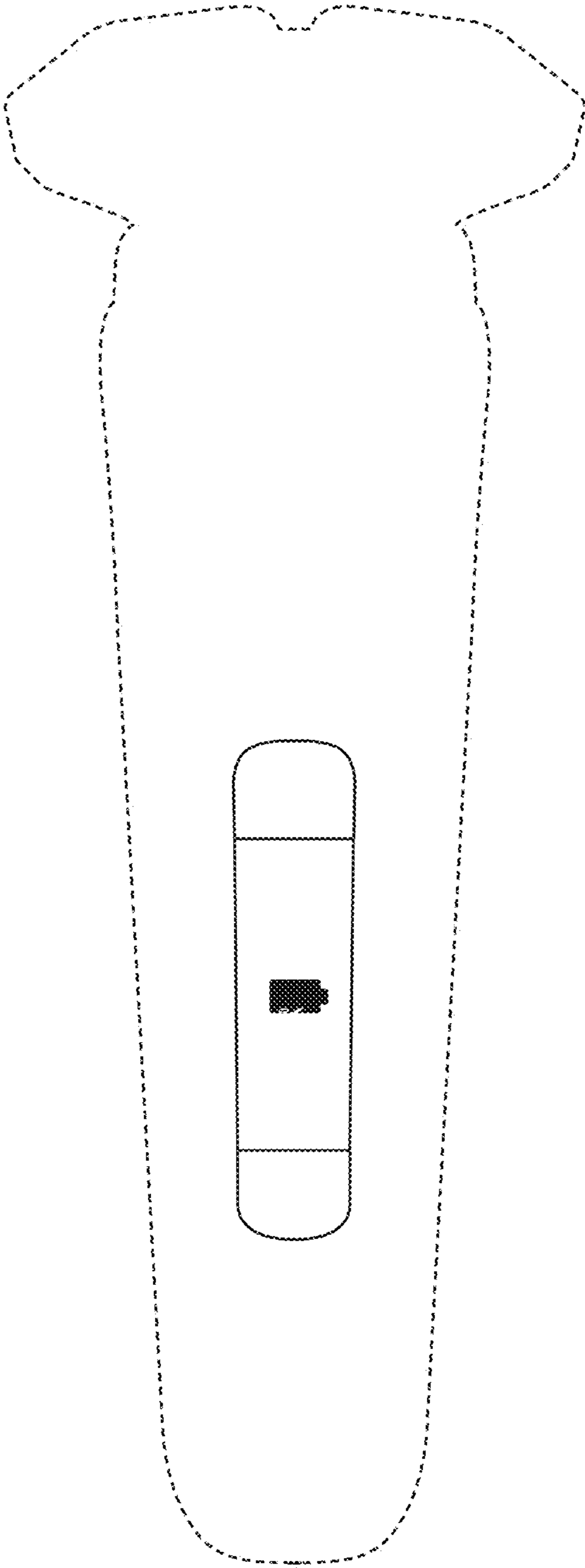


FIG. 4

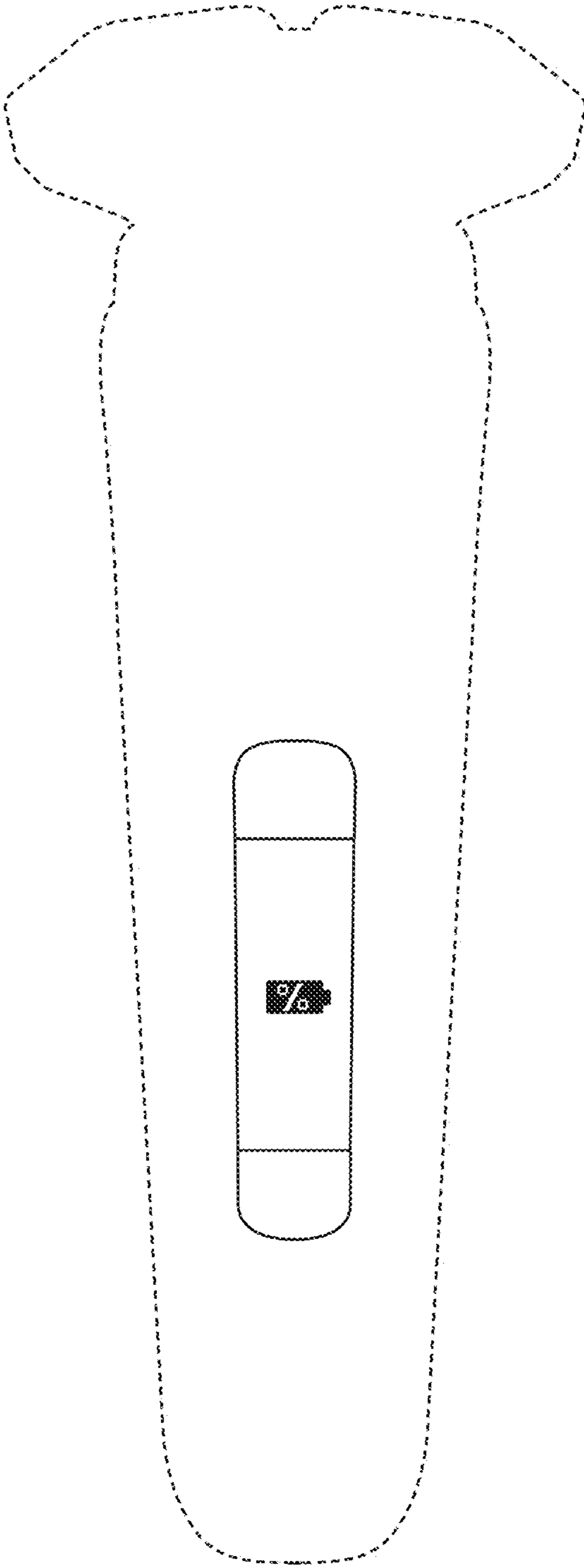


FIG. 5

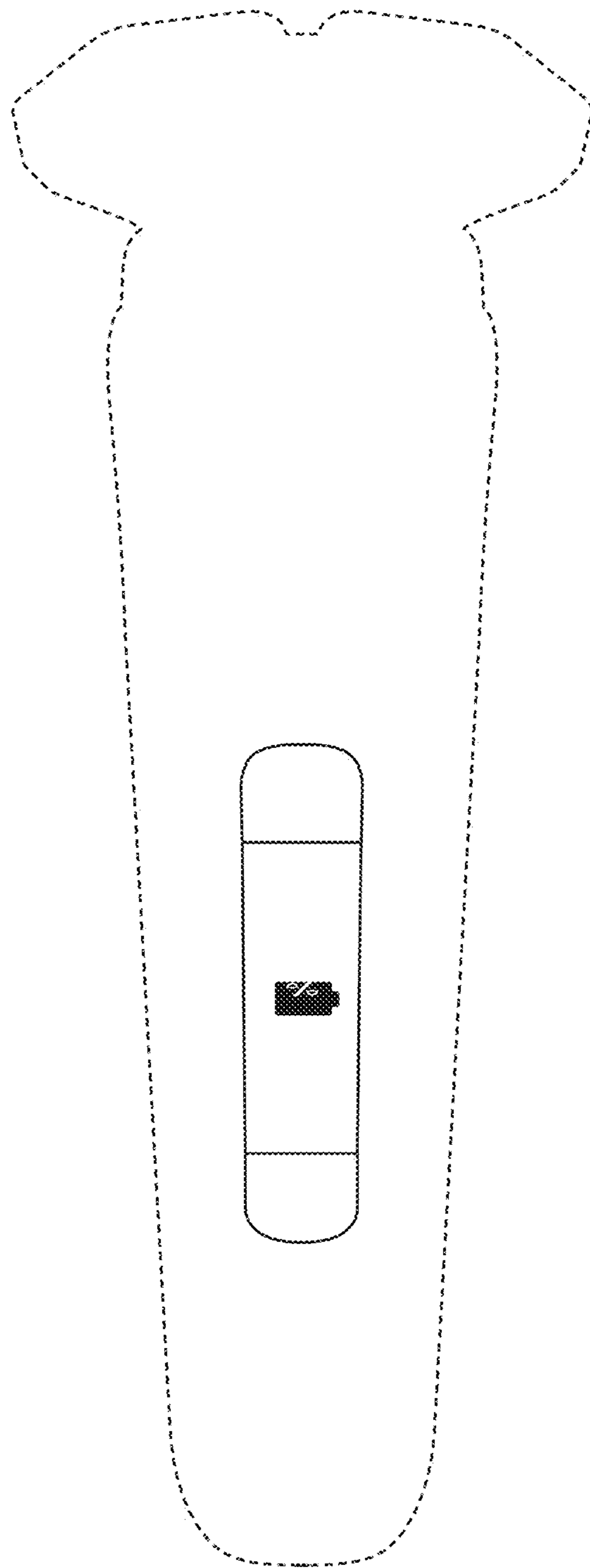


FIG. 6

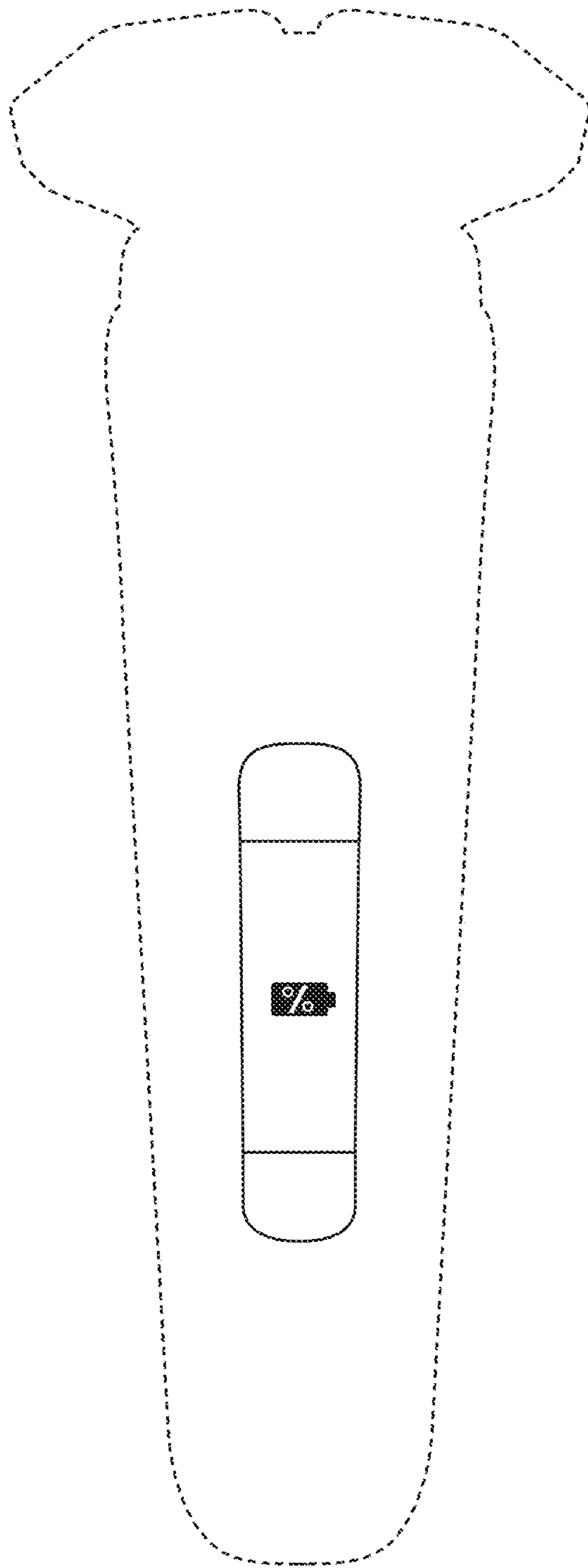


FIG. 7