

US00D958183S

(12) **United States Design Patent**  
**Lynch et al.**

(10) **Patent No.:** **US D958,183 S**  
(45) **Date of Patent:** **\*\* Jul. 19, 2022**

(54) **DISPLAY PANEL PORTION WITH AN ANIMATED COMPUTER ICON**

(71) Applicant: **Sanofi**, Paris (FR)

(72) Inventors: **Timothy Lynch**, Reading, MA (US);  
**Lillian Krieger**, Boston, MA (US)

(73) Assignee: **Sanofi**, Paris (FR)

(\*\*) Term: **15 Years**

(21) Appl. No.: **29/744,644**

(22) Filed: **Jul. 30, 2020**

(51) **LOC (13) Cl.** ..... **14-04**

(52) **U.S. Cl.**  
USPC ..... **D14/488**

(58) **Field of Classification Search**  
USPC ..... D14/485-95  
CPC ..... G06F 3/48; G06F 3/0481; G06F 3/04812;  
G06F 3/04815; G06F 3/04817; G06F  
3/0482; G06F 3/0483; G06F 3/0484;  
G06F 3/04842; G06F 3/04845; G06F  
3/04847; G06F 3/0485; G06F 3/0486;  
G06F 3/0487; G06F 3/0488; G06F  
3/04883; G06F 3/04886

See application file for complete search history.

(56) **References Cited**

**U.S. PATENT DOCUMENTS**

D390,839 S *	2/1998	Yamamoto	.....	D14/494
D395,878 S *	7/1998	Copeland	.....	D14/495
D399,837 S *	10/1998	Garguilo	.....	D14/486
D422,991 S *	4/2000	Regan, Jr.	.....	D14/493
D473,240 S *	4/2003	Cockerill	.....	D14/489
D549,724 S *	8/2007	Niijima	.....	D14/491
D549,725 S *	8/2007	Niijima	.....	D14/491
D561,780 S *	2/2008	Rimas-Ribikauskas	.....	D14/495
D659,711 S *	5/2012	Guss	.....	D14/495

D672,365 S *	12/2012	Chang	.....	D14/486
8,366,680 B2 *	2/2013	Raab	.....	A61M 5/31585 604/211
8,376,987 B2 *	2/2013	Kuhn	.....	A61M 5/284 604/82

(Continued)

**OTHER PUBLICATIONS**

Autoinjector development, [https://www.manufacturingchemist.com/news/article\\_page/Autoinjector\\_development/76465](https://www.manufacturingchemist.com/news/article_page/Autoinjector_development/76465) (Year: 2012).\*

(Continued)

*Primary Examiner* — Melanie H Tung

*Assistant Examiner* — Darmawan Truong

(74) *Attorney, Agent, or Firm* — Fish & Richardson P.C.

(57) **CLAIM**

The ornamental design for a display panel portion with an animated computer icon, substantially as shown and described.

**DESCRIPTION**

FIG. 1 is a first image in a sequence for the display panel portion with an animated computer icon.

FIG. 2 is second image in the sequence thereof.

FIG. 3 is a third image in the sequence thereof.

FIG. 4 is a fourth image in the sequence thereof.

FIG. 5 is a fifth image in the sequence thereof.

FIG. 6 is a sixth image in the sequence thereof.

FIG. 7 is a seventh image in the sequence thereof.

FIG. 8 is an eighth image in the sequence thereof.

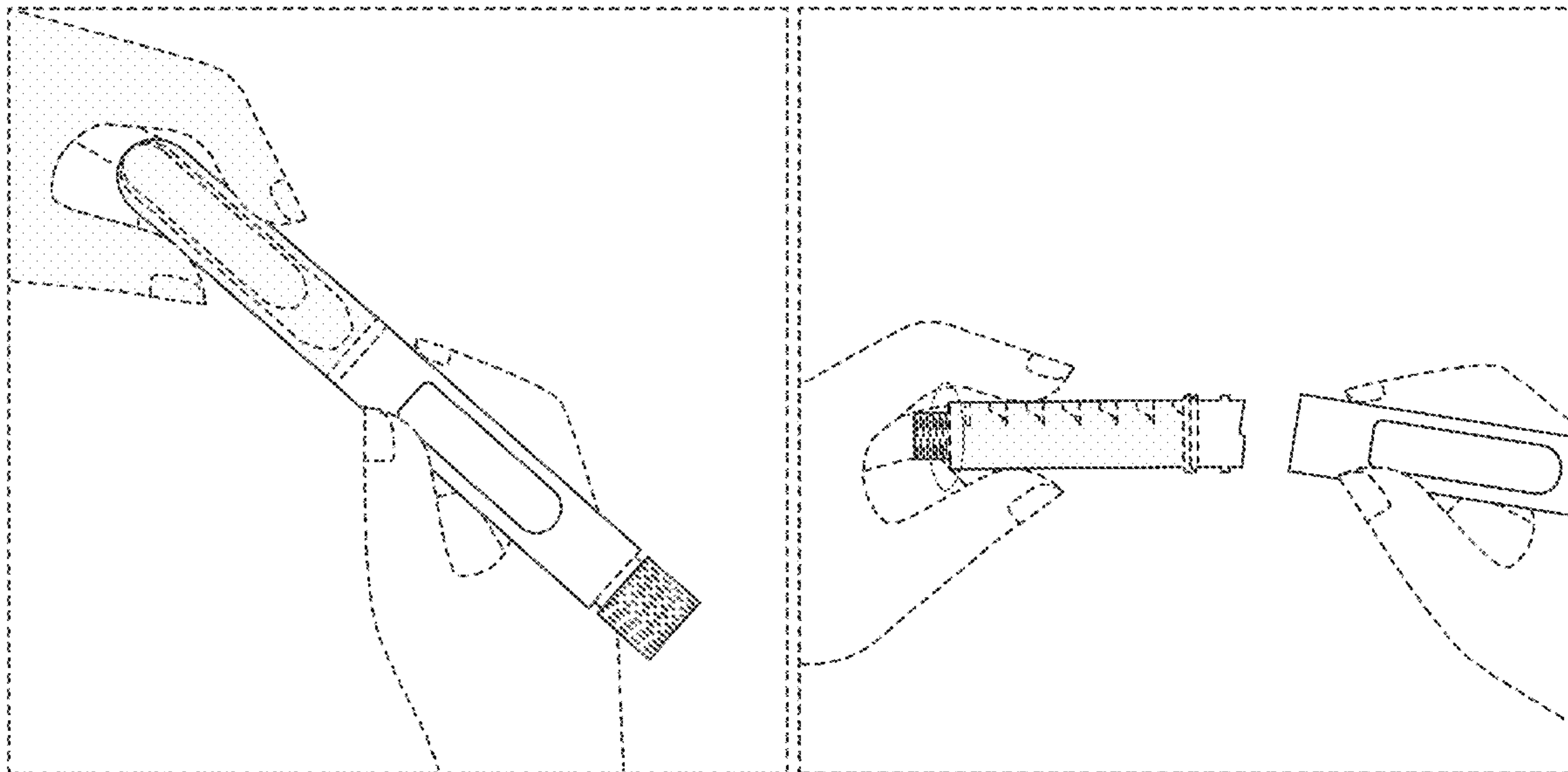
FIG. 9 is a ninth image in the sequence thereof; and,

FIG. 10 is a tenth image in the sequence thereof.

The appearance of the transitional image sequentially transitions between the images shown in FIGS. 1-10.

The process or period in which one image transitions to another forms no part of the claimed design. The broken lines showing a display panel portion and portions of the animated computer icon in FIGS. 1-10 form no part of the claimed design.

**1 Claim, 10 Drawing Sheets**



(56)

**References Cited**

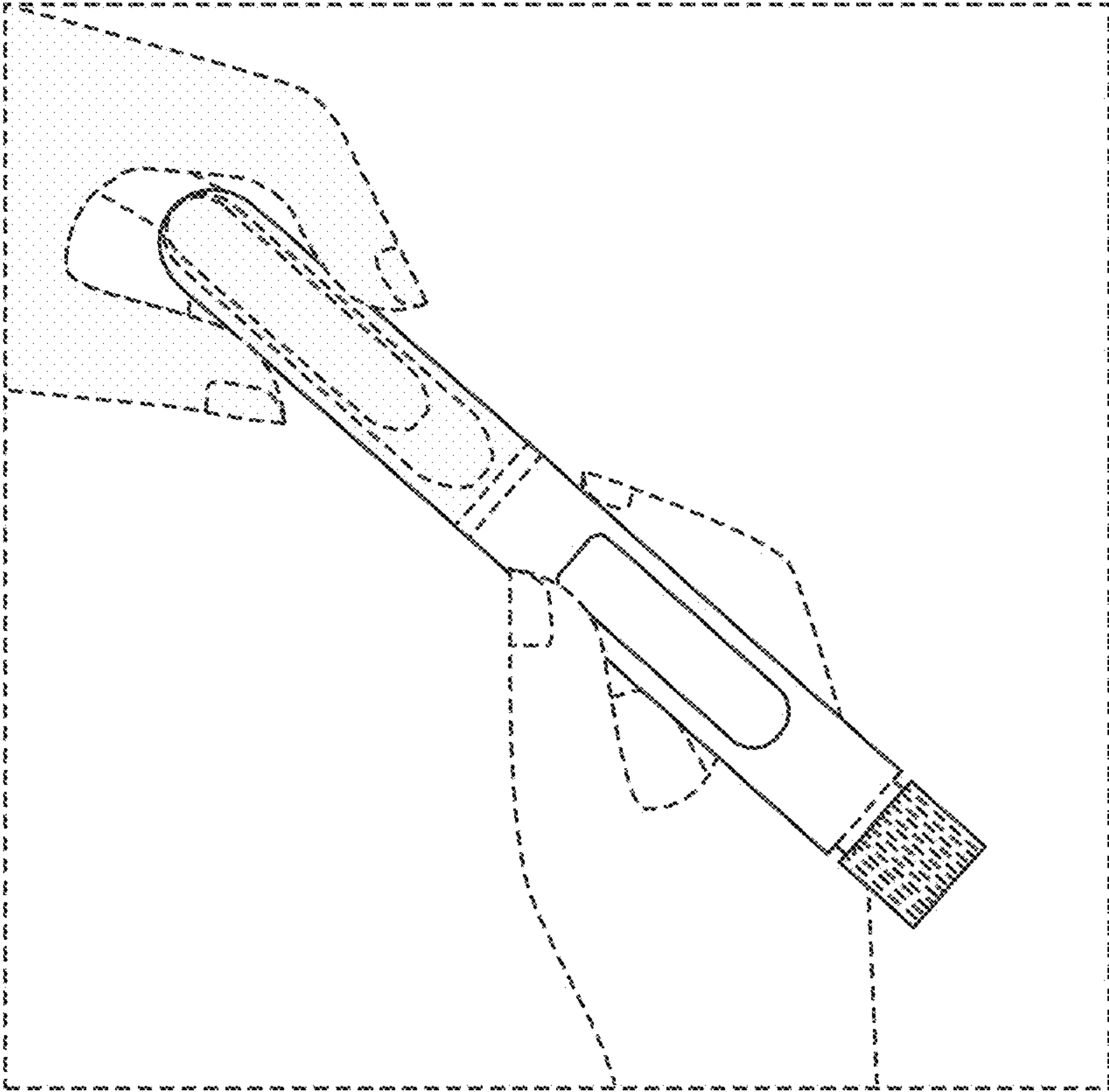
U.S. PATENT DOCUMENTS

8,460,245 B2 \* 6/2013 Guillermo ..... A61M 5/2033  
604/135  
8,512,297 B2 \* 8/2013 Veasey ..... A61M 5/3157  
604/209  
D723,061 S \* 2/2015 Qin ..... D14/495  
D727,967 S \* 4/2015 Kim ..... D14/495  
D753,669 S \* 4/2016 Chen ..... D14/485  
D772,257 S \* 11/2016 Furutani ..... D14/486  
D794,652 S \* 8/2017 Wei ..... D14/485  
D815,120 S \* 4/2018 Watanabe ..... D14/485  
D844,051 S \* 3/2019 Dela Cruz ..... D18/43  
D864,251 S \* 10/2019 Wilkerson ..... D14/495  
D890,788 S \* 7/2020 Biberger ..... D14/486  
D902,244 S \* 11/2020 Kim ..... D14/488  
2013/0338603 A1 \* 12/2013 Roedle ..... A61J 1/1412  
604/199  
2016/0120009 A1 \* 4/2016 Aliakseyeu ..... G08C 17/02  
315/131

OTHER PUBLICATIONS

Autoinjectors Market Overview—IssueWire, <https://www.issuewire.com/autoinjectors-market-overview-strategy-types-growth-therapy-analysis-and-forecast-by-2030-1636670126174508> (Year: 2019).\*  
SANOFI-SOLIQUA Diabetes Insulin Pen, [https://www.youtube.com/watch?v=\\_wTe4zNKbNY](https://www.youtube.com/watch?v=_wTe4zNKbNY) (Year: 2020).\*

\* cited by examiner



**FIG. 1**

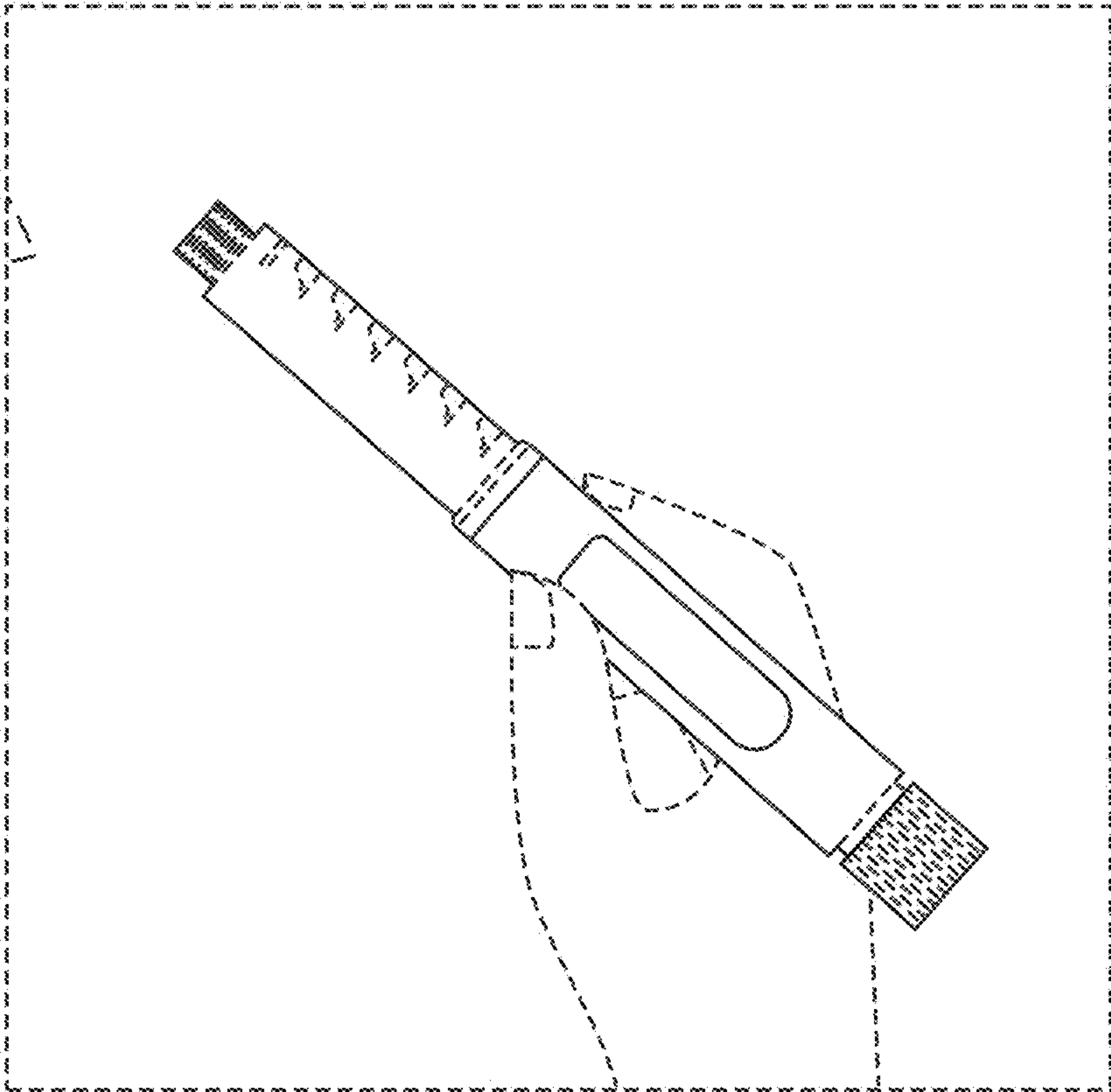
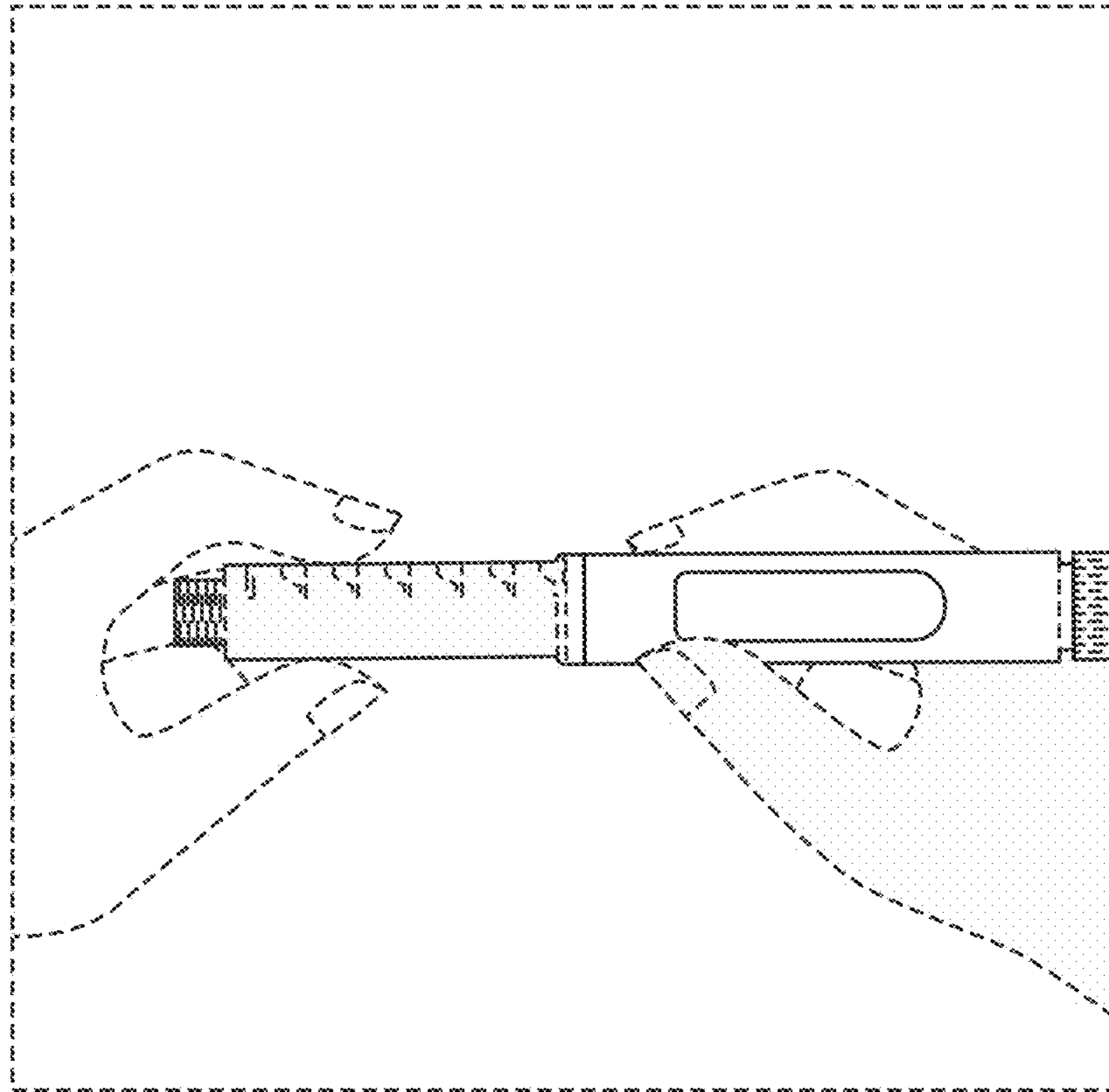


FIG. 2



**FIG. 3**



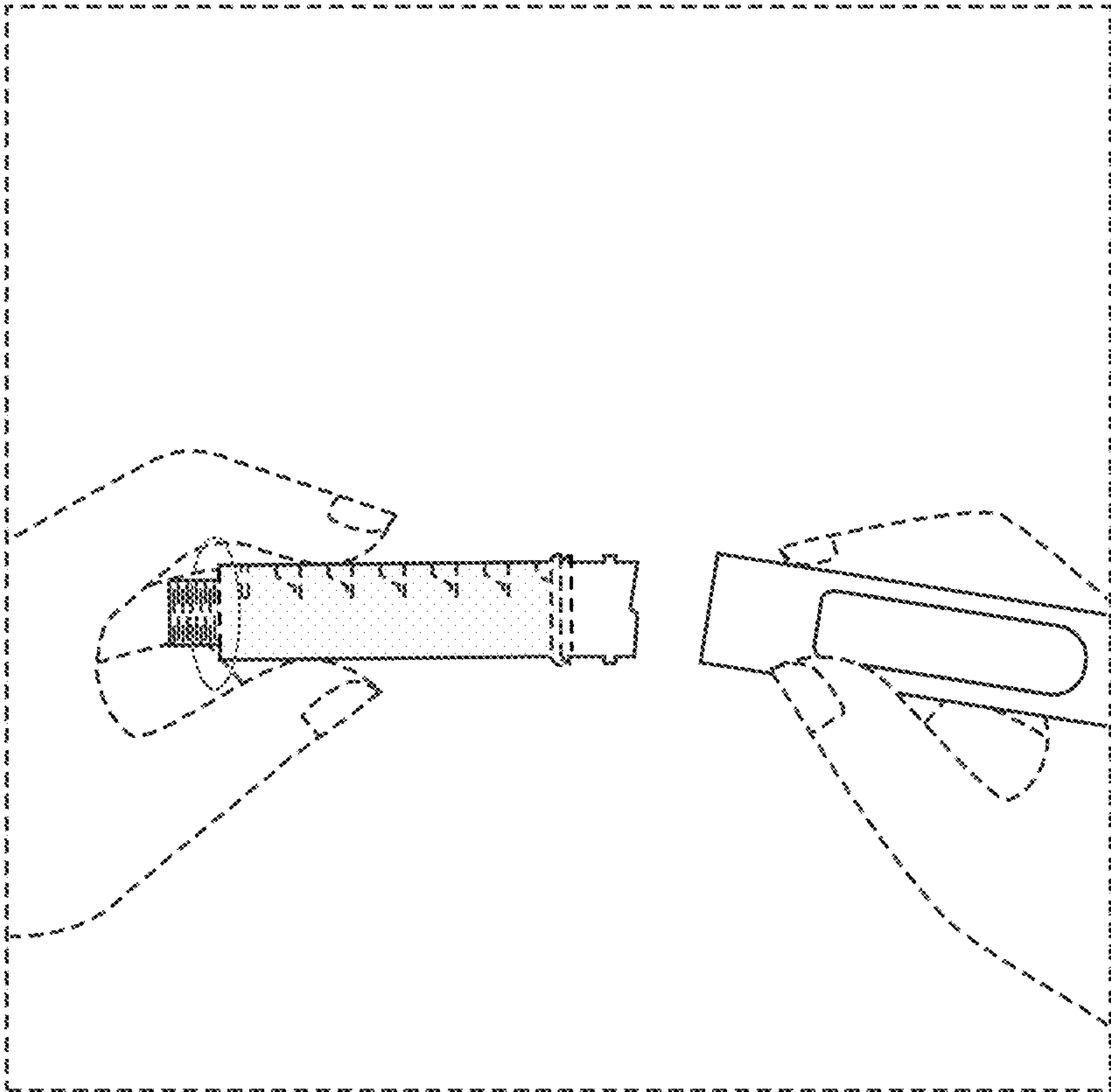
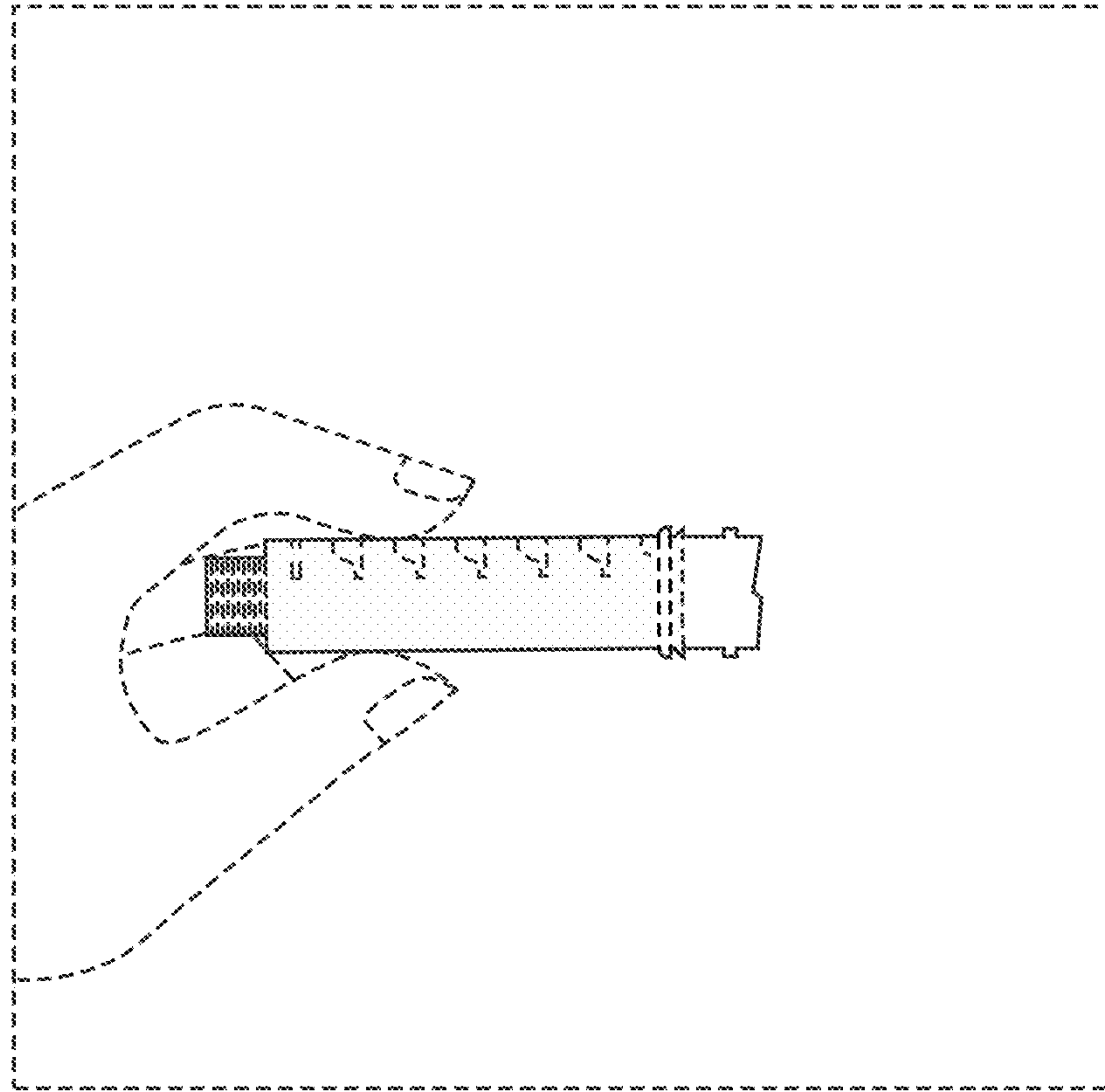
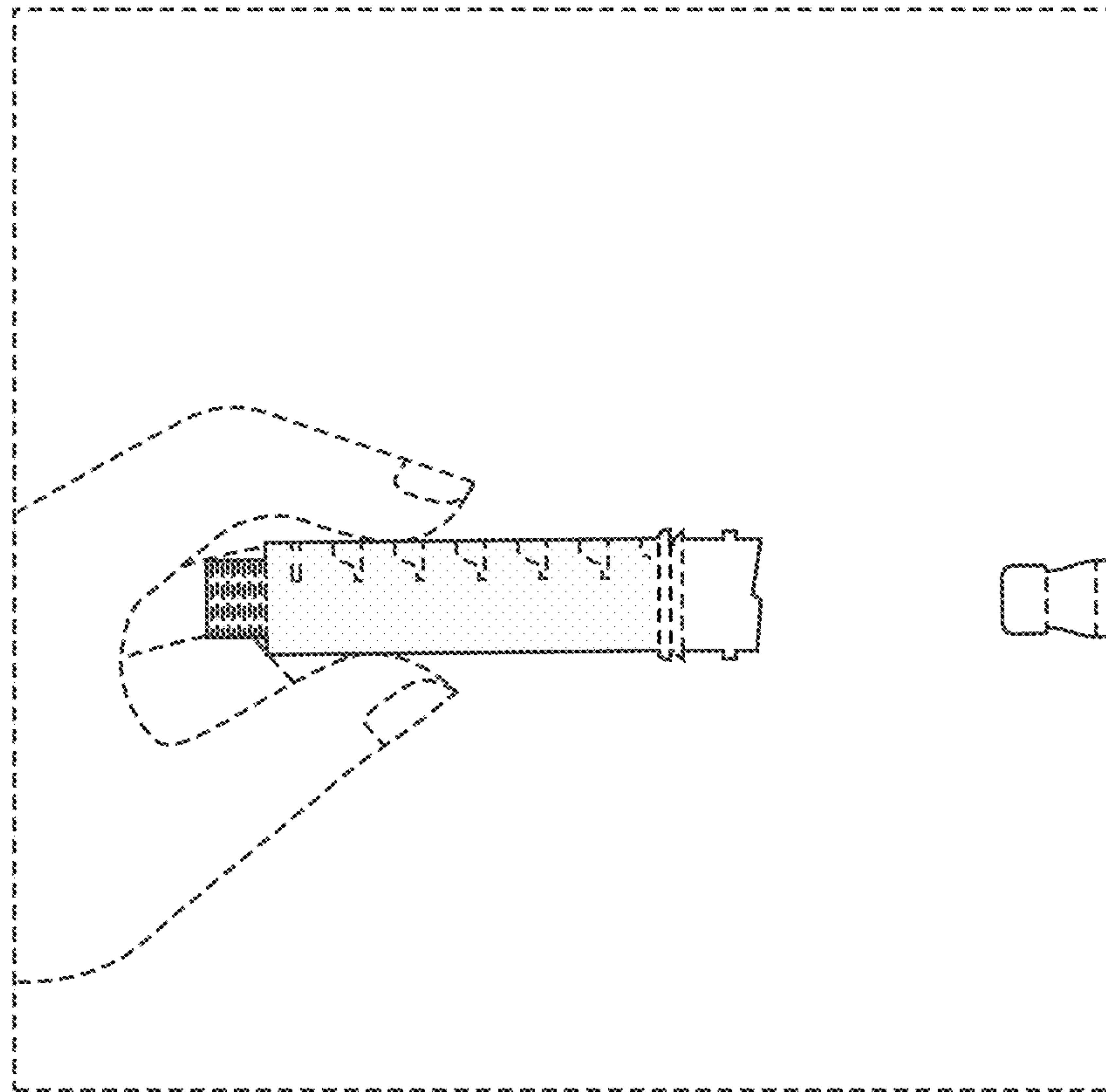


FIG. 4

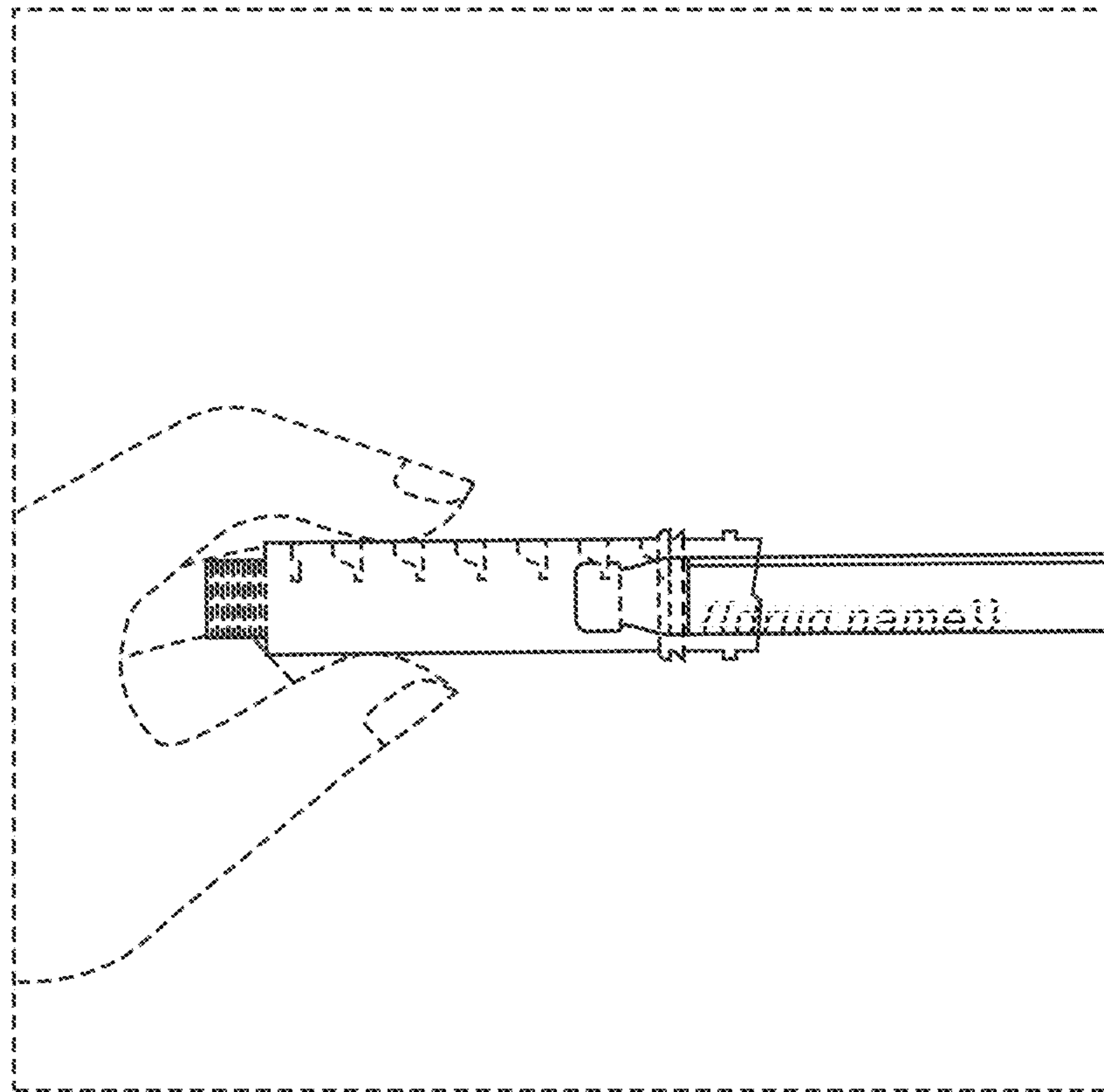


**FIG. 5**

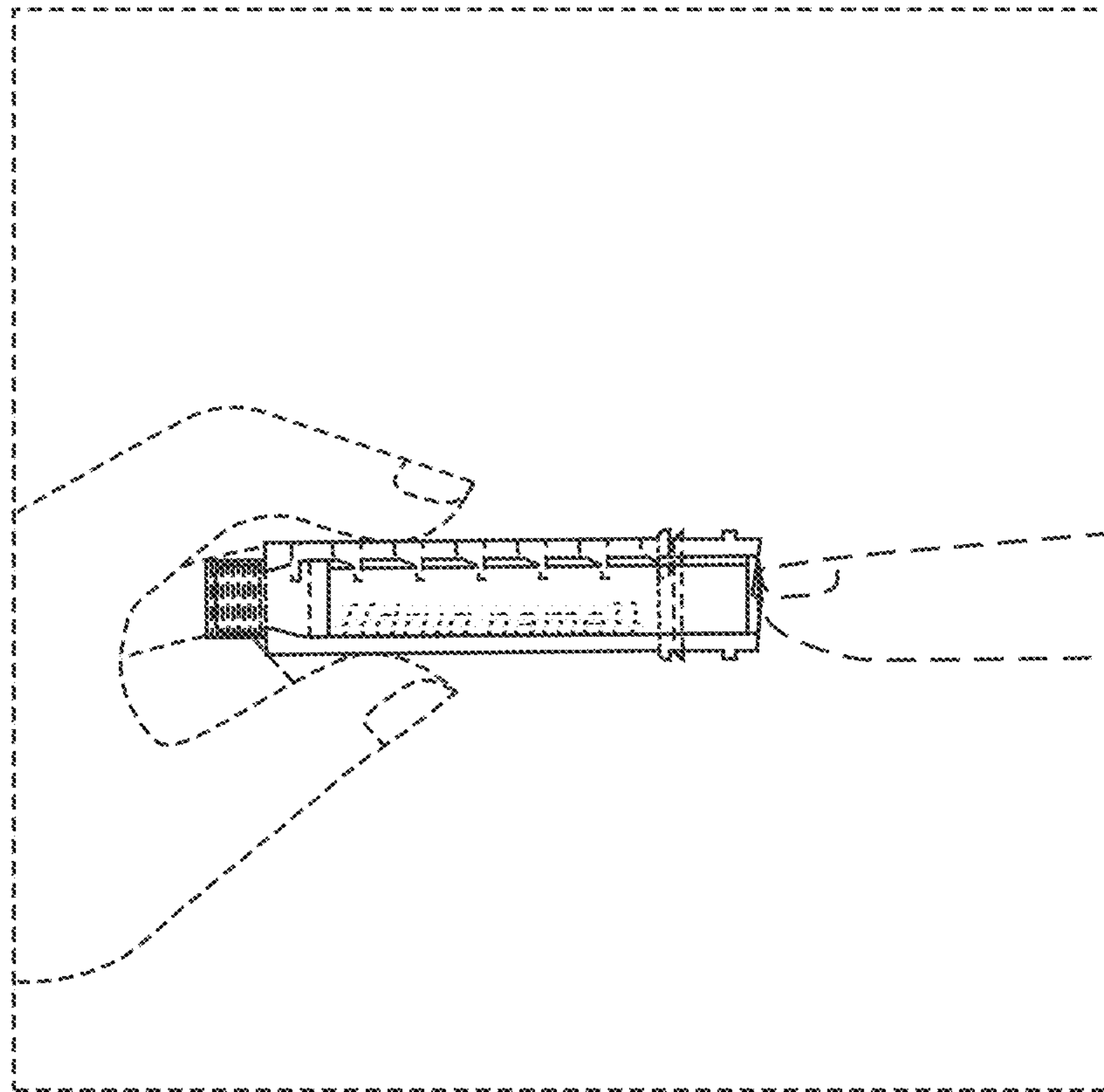


**FIG. 6**

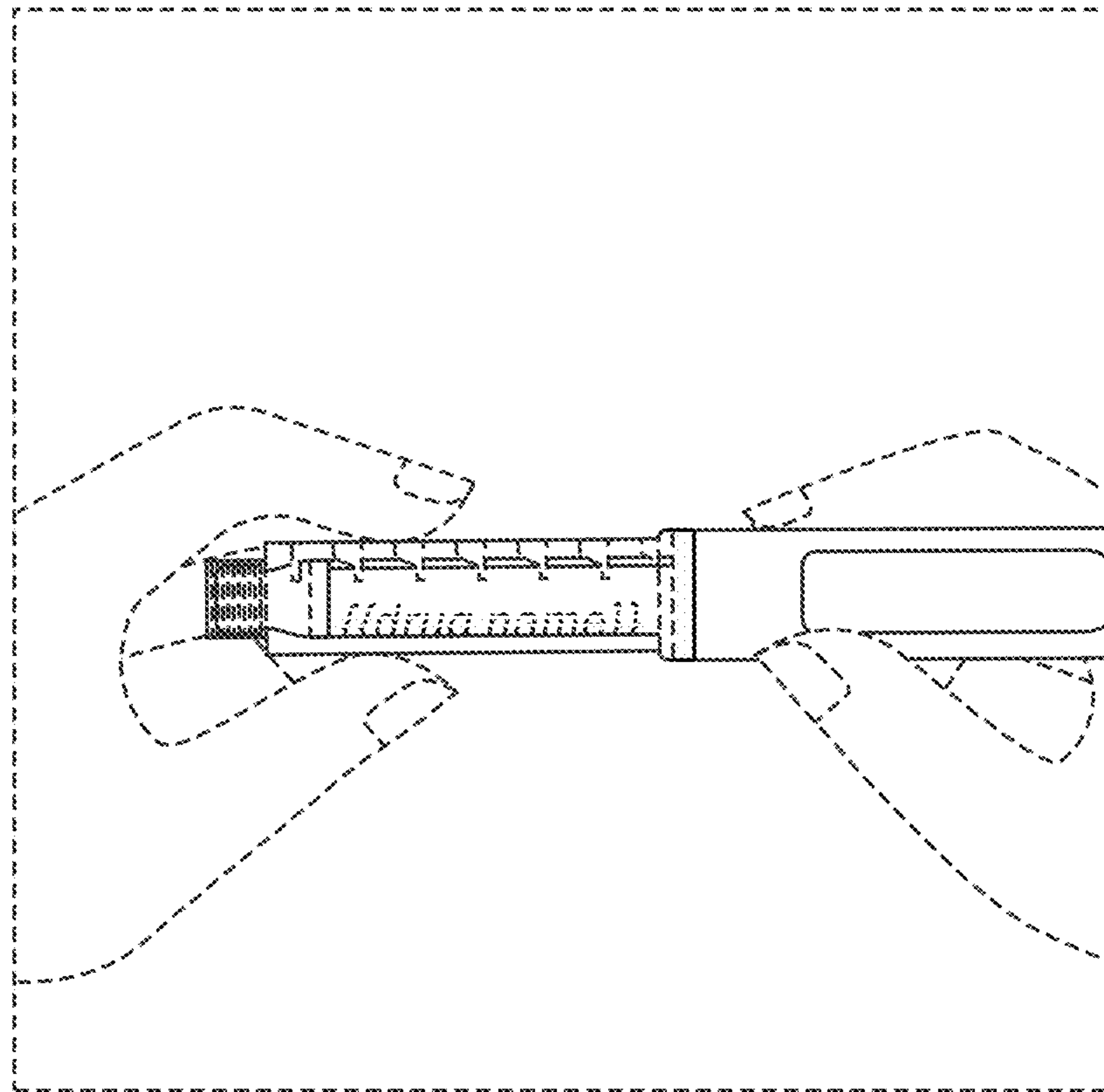




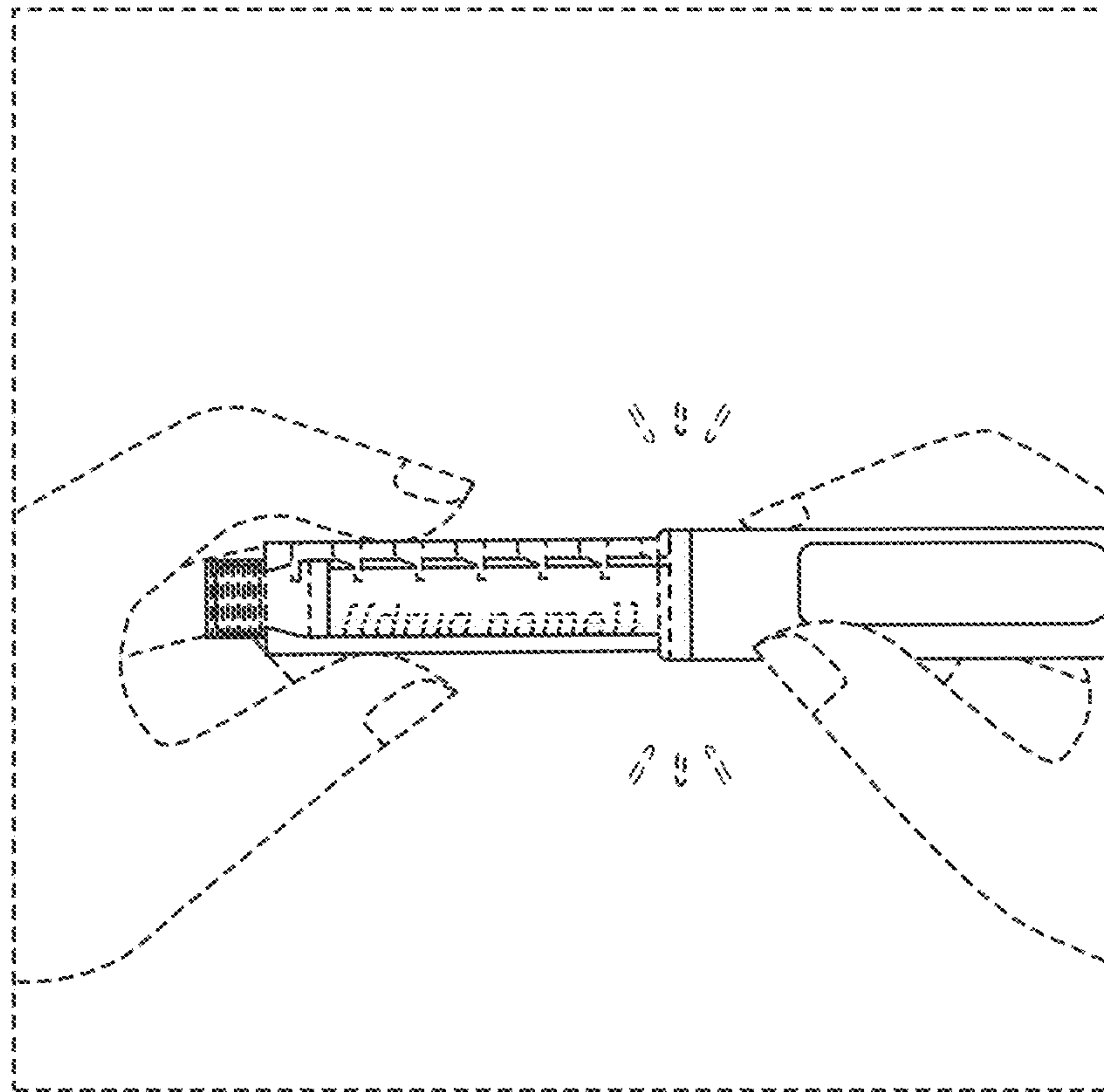
**FIG. 7**



**FIG. 8**



**FIG. 9**



**FIG. 10**