



US00D958164S

(12) **United States Design Patent** (10) **Patent No.:** **US D958,164 S**
Kwak et al. (45) **Date of Patent:** **** Jul. 19, 2022**

(54) **DISPLAY SCREEN OR PORTION THEREOF WITH TRANSITIONAL GRAPHICAL USER INTERFACE**

(71) Applicant: **Samsung Electronics Co., Ltd.**, Suwon-si (KR)

(72) Inventors: **Hyun-Jee Kwak**, Seoul (KR); **Hee-Jin Ko**, Bucheon-si (KR); **Jang-Won Seo**, Seoul (KR); **Jaе Julien**, Seoul (KR); **Yoo-Jin Choi**, Seoul (KR)

(73) Assignee: **Samsung Electronics Co., Ltd.**, Suwon-si (KR)

(**) Term: **15 Years**

(21) Appl. No.: **29/654,891**

(22) Filed: **Jun. 28, 2018**

(30) **Foreign Application Priority Data**

Jan. 8, 2018 (KR) 30-2018-0001274

(51) **LOC (13) Cl.** **14-04**

(52) **U.S. Cl.**
USPC **D14/486; D14/488**

(58) **Field of Classification Search**
USPC D14/485–495

(Continued)

(56) **References Cited**

U.S. PATENT DOCUMENTS

D475,064 S * 5/2003 Nashida D14/489
D558,211 S * 12/2007 Dongen D14/485

(Continued)

FOREIGN PATENT DOCUMENTS

CN 2015300901041 11/2015
CN 2016306587071 8/2017

(Continued)

OTHER PUBLICATIONS

“How to add Dots Indicator to Image Slider with ViewPager in Android Studio | Sanktips” Apr. 9, 2017, YouTube, site visited Jul. 16, 2020: <https://www.youtube.com/watch?v=Q2M30NriSsE> (Year: 2017).*

(Continued)

Primary Examiner — Jack Reickel

(74) *Attorney, Agent, or Firm* — NSIP Law

(57) **CLAIM**

We claim the ornamental design for a display screen or portion thereof with transitional graphical user interface, as shown and described.

DESCRIPTION

FIG. 1 is the first image in a sequence for a display screen or portion thereof with transitional graphical user interface showing our new design;

FIG. 2 is a second image in a sequence thereof;

FIG. 3 is a third image in a sequence thereof;

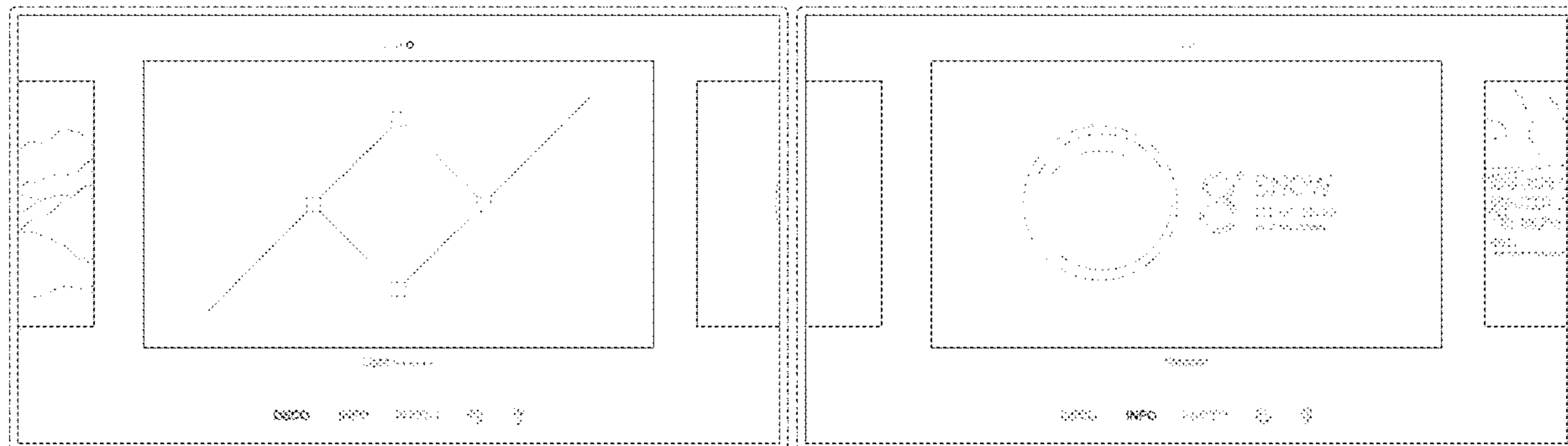
FIG. 4 is a fourth image in a sequence thereof; and,

FIG. 5 is a fifth image in a sequence thereof.

The outer-most broken line showing of the display screen, and the broken line showing of portions of the transitional graphical user interface, are for the purpose of illustrating portions of the article and form no part of the claimed design.

The appearance of the transitional graphical user interface sequentially transitions between the images shown in FIGS. 1 through 5. The process or period in which one image transitions to another forms no part of the claimed design. The darker, bolder lines depicting text in the drawings represent a visual emphasis.

1 Claim, 5 Drawing Sheets



(58) **Field of Classification Search**

CPC G06F 3/048; G06F 3/0481; G06F 3/04817;
G06F 3/0482; G06F 3/0483; G06F
3/04842; G06F 3/0485; G06F 3/04855;
G06F 3/0486; G06F 3/0488; G06F
3/04886; G06F 9/4443; G06F 17/211;
G06F 17/212

See application file for complete search history.

(56) **References Cited**

U.S. PATENT DOCUMENTS

D580,942 S * 11/2008 Oshiro D14/485
D599,365 S * 9/2009 Brown D14/485
D599,367 S * 9/2009 Mays D14/485
D599,806 S * 9/2009 Brown D14/485
D653,260 S * 1/2012 Vance D14/486
D655,300 S * 3/2012 Jones D14/486
D661,702 S * 6/2012 Asai D14/488
D667,020 S * 9/2012 MacKenzie D14/486
D672,364 S * 12/2012 Reyna D14/486
D681,051 S * 4/2013 Asai D14/487
D682,303 S * 5/2013 DiJulio D14/487
D685,817 S * 7/2013 Kunieda D14/487
D692,444 S * 10/2013 Lee D14/486
D694,258 S * 11/2013 Lee D14/486
D695,755 S * 12/2013 Hwang D14/485
D695,783 S * 12/2013 Edwards D14/492
D701,227 S * 3/2014 Lee D14/486
D704,274 S * 5/2014 Ono D21/385
D716,338 S * 10/2014 Lee D14/488
D719,183 S * 12/2014 Kuwahara D14/486
D731,535 S * 6/2015 Seo D14/488
9,077,823 B1 * 7/2015 Grosz H04N 1/00196
D735,741 S * 8/2015 Kim D14/486
9,116,595 B2 * 8/2015 Otowa G06F 3/04883
D744,000 S * 11/2015 Villamor D14/488
D745,048 S * 12/2015 Anderson D14/489
D746,866 S * 1/2016 Memoria D14/494
D749,605 S * 2/2016 Choi D14/486
D750,113 S * 2/2016 Kettner D14/486
D753,703 S * 4/2016 Villamor D14/488
D757,040 S * 5/2016 Zankowski D14/485
D758,396 S * 6/2016 Kim D14/486
D760,732 S * 7/2016 Sakai D14/485
D769,306 S * 10/2016 Bowen D14/488
D769,892 S * 10/2016 Anzures D14/485
D773,502 S * 12/2016 Park D14/486
D780,789 S * 3/2017 Xie D14/486
D781,328 S * 3/2017 Fong D14/486
D784,403 S * 4/2017 Jones-McFadden D14/488
D785,643 S * 5/2017 Bao D14/485
D789,969 S * 6/2017 Chaudhri D14/486
9,747,003 B2 * 8/2017 Lazaridis G06F 3/0482
D798,331 S * 9/2017 Fong D14/488
9,772,762 B2 * 9/2017 Kim G06F 3/04847
D803,869 S * 11/2017 Kuhn D14/488
D816,110 S * 4/2018 Choi D14/488
D849,026 S * 5/2019 Anzures D14/485
D860,225 S * 9/2019 Naimark D14/485
D863,342 S * 10/2019 Clarke D14/487
D871,421 S * 12/2019 Kim D14/485
D872,104 S * 1/2020 Sakuma D14/485
D875,762 S * 2/2020 Evans D14/486
D913,304 S * 3/2021 VanDuy D14/486
D917,518 S * 4/2021 Lunaparra D14/488
D918,248 S * 5/2021 Lee D14/488
D930,657 S * 9/2021 Elisha D14/485
D931,868 S * 9/2021 Daniels D14/485
D931,889 S * 9/2021 Lee D14/486
D933,696 S * 10/2021 Underwood D14/487
D940,168 S * 1/2022 Graves D14/486
D942,471 S * 2/2022 Kim D14/485
D944,280 S * 2/2022 Underwood D14/487
D944,283 S * 2/2022 Tinkley D14/487

D944,289 S * 2/2022 Cordova D14/488
D944,832 S * 3/2022 Ranka D14/488
D944,834 S * 3/2022 Federighi D14/486
2007/0226645 A1 * 9/2007 Kongqiao G06F 3/0482
715/781
2008/0209323 A1 * 8/2008 Park H04N 1/00294
715/716
2009/0002335 A1 * 1/2009 Chaudhri G06F 16/904
345/173
2009/0293007 A1 * 11/2009 Duarte G06F 3/0488
715/767
2009/0313578 A1 * 12/2009 Roh H04N 21/431
715/790
2010/0017732 A1 * 1/2010 Matsushima G06F 3/0482
715/765
2013/0321340 A1 * 12/2013 Seo H04M 1/0214
345/174
2013/0332886 A1 * 12/2013 Cranfill G06F 3/0482
715/835
2014/0282208 A1 * 9/2014 Chaudhri G06F 3/04817
715/779
2014/0351728 A1 * 11/2014 Seo G06F 3/04842
715/766
2015/0074615 A1 * 3/2015 Han H04L 63/083
715/863
2015/0143248 A1 * 5/2015 Beechuk G06Q 30/00
715/739

FOREIGN PATENT DOCUMENTS

EM 001955709-0014 1/2012
KR 30-2013-0044592 2/2014
KR 30-2015-0027524 5/2016

OTHER PUBLICATIONS

“90 Content Slider PSD Templates” Feb. 15, 2012, Land of Web, site visited Jul. 16, 2020: <https://www.land-of-web.com/stuff/90-content-slider-psd-templates.html> (Year: 2012).*

“How to customize owl carousel slider navigation 2018 with Bootstrap” Dec. 3, 2017, YouTube, site visited Jul. 16, 2020: <https://www.youtube.com/watch?v=nVNv1jUitCk> (Year: 2017).*

“Meet Media Carousel: Create Image & Video Carousels and Sliders in WordPress” Sep. 27, 2017, YouTube, site visited Jul. 16, 2020: <https://www.youtube.com/watch?v=WY3HqKWgqKg> (Year: 2017).*

“Slider type—Carousel” Apr. 5, 2017, Smart Slider, site visited Jul. 8, 2020: <https://web.archive.org/web/20170405225458/https://smartslicer3.helpscoutdocs.com/article/74-carousel-type> (Year: 2017).*

Melanson, Donald, “Microsoft reportedly launching subsidized Xbox 360 bundle next week for \$99 with a two-year subscription” May 2, 2012, engadget, site visited Jul. 8, 2020: <https://www.engadget.com/2012-05-02-microsoft-reportedly-launching-subsidized-xbox-360-bundle-next-w.html> (Year: 2012).*

“18 Beautiful and Free Image Slider PSD Design” Jan. 31, 2012, Favbulous, site visited Jul. 8, 2020: <https://favbulous.com/post/775/18-beautiful-and-free-image-slider-psd-design> (Year: 2012).*

“Simple Thumbnail Carousel (PSD)” Sep. 18, 2011, PremiumCoding, site visited Sep. 16, 2020: <https://web.archive.org/web/20150322005920/http://premiumcoding.com/simple-thumbnail-carousel-psd/> (Year: 2011).*

Pines, Ben, “Introducing Media Carousel: Beautifully Showcase Your Images and Videos” Sep. 26, 2017, elementor, site visited Aug. 24, 2021: <https://elementor.com/blog/introducing-media-carousel/> (Year: 2017).*

“How to create a WordPress Carousel Slider in 2 minutes” Jul. 30, 2014, YouTube, site visited Aug. 24, 2021: <https://www.youtube.com/watch?v=c9-gOVGjHvQ> (Year: 2014).*

“Designing Effective Carousels for Websites and Mobile Apps” Sep. 6, 2019, YouTube, site visited Mar. 4, 2022: <https://www.youtube.com/watch?v=TL0WZxpINNI> (Year: 2019).*

* cited by examiner

FIG. 1

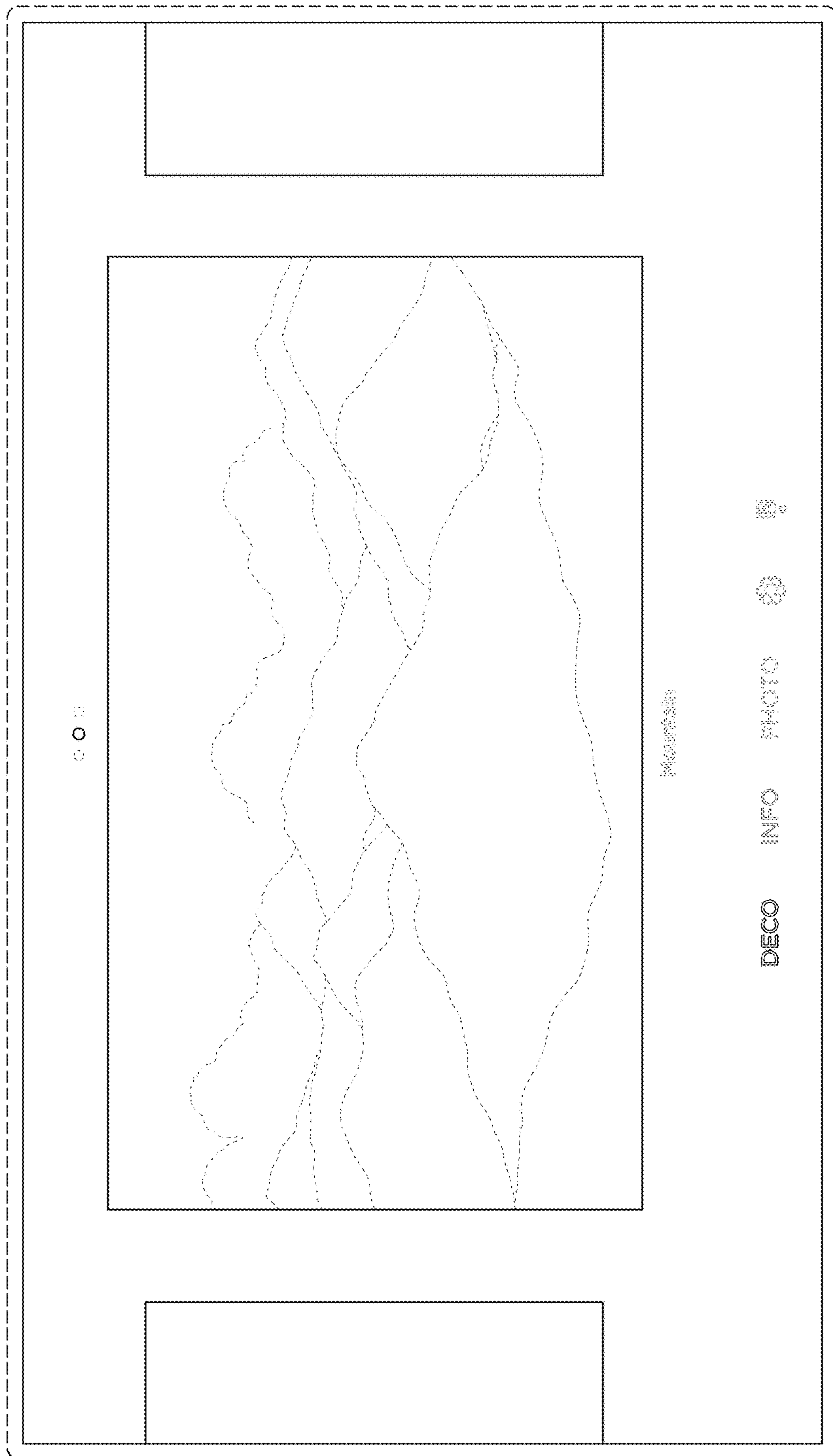


FIG. 2

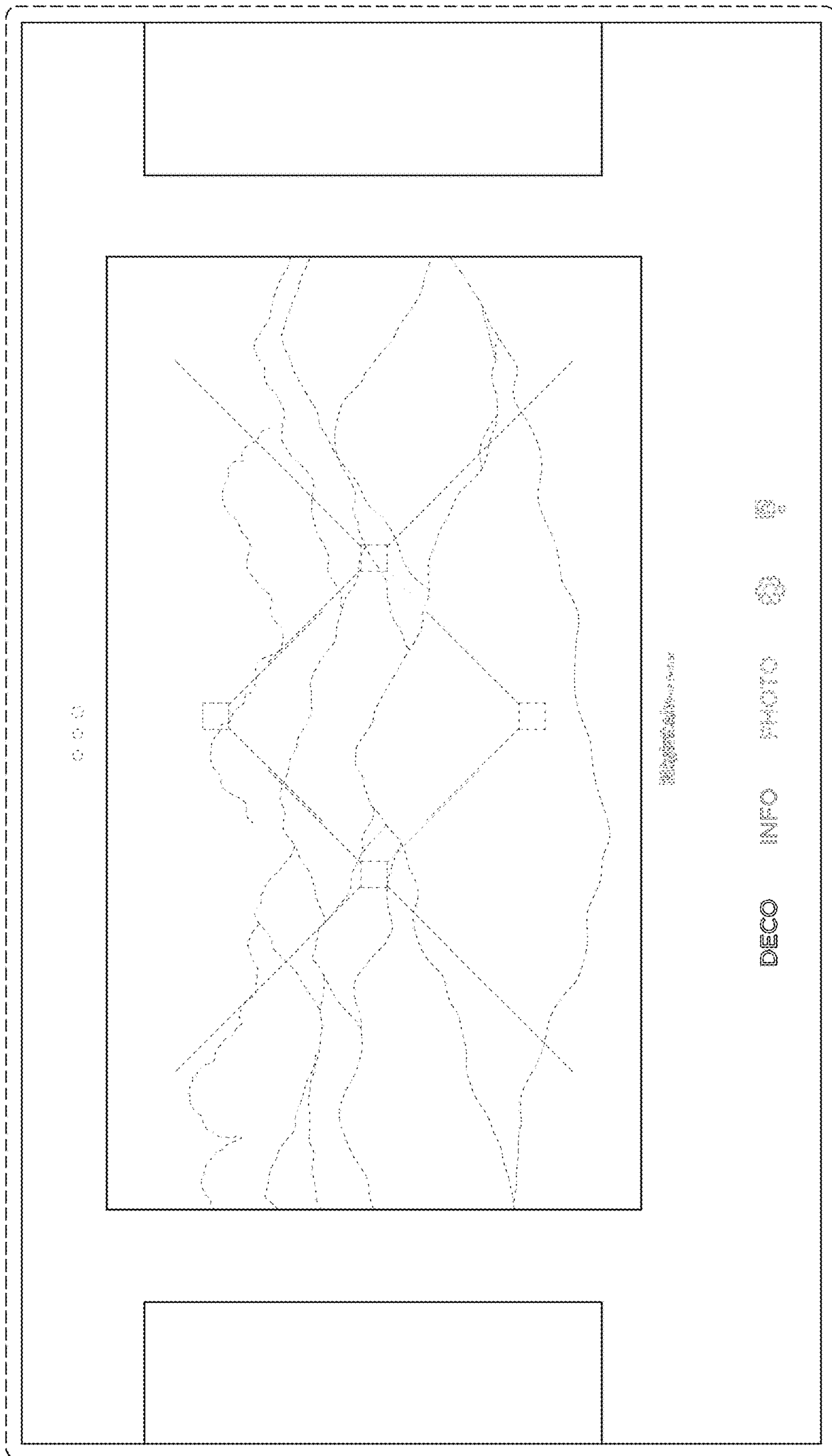


FIG. 3

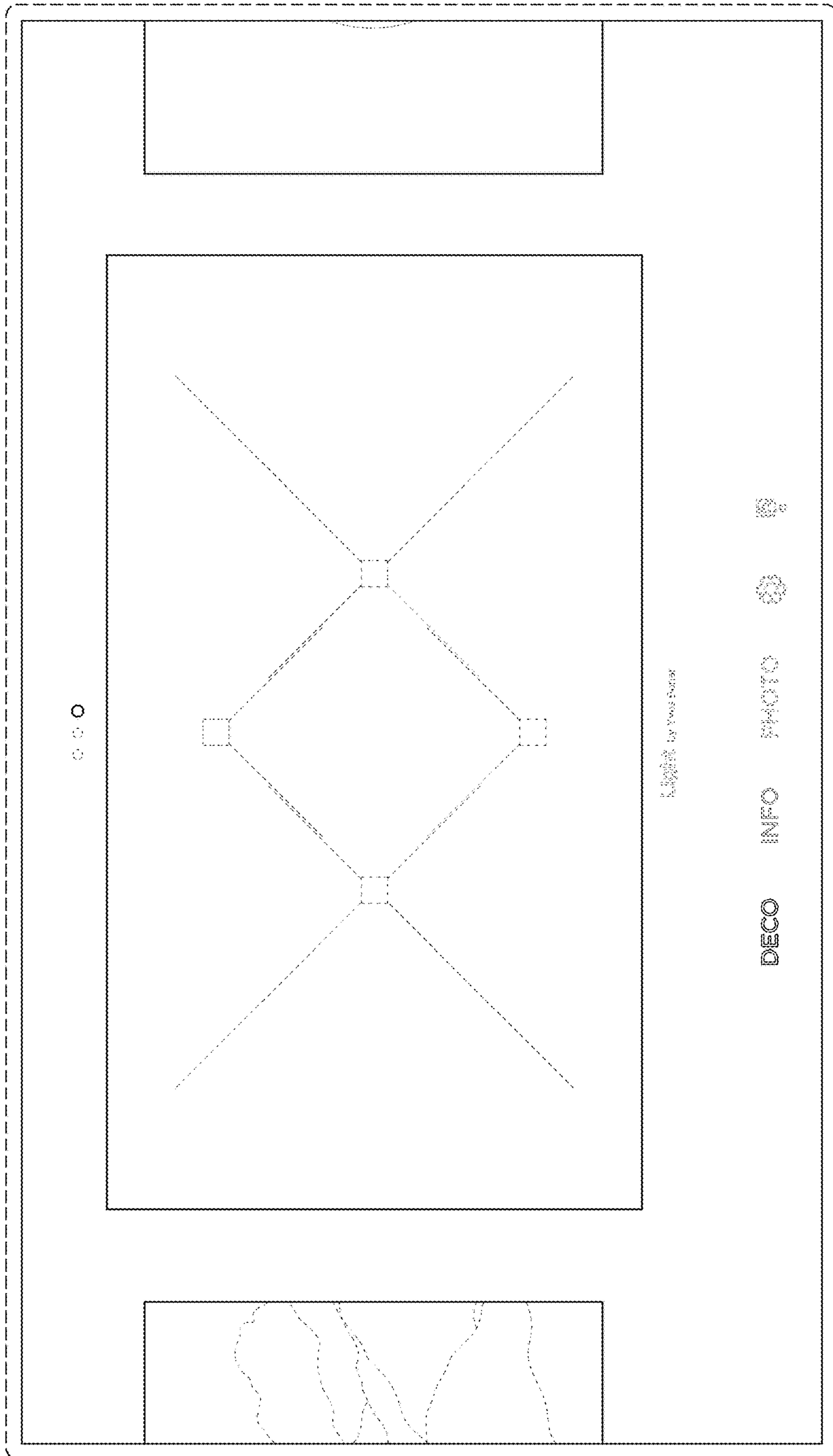


FIG. 4

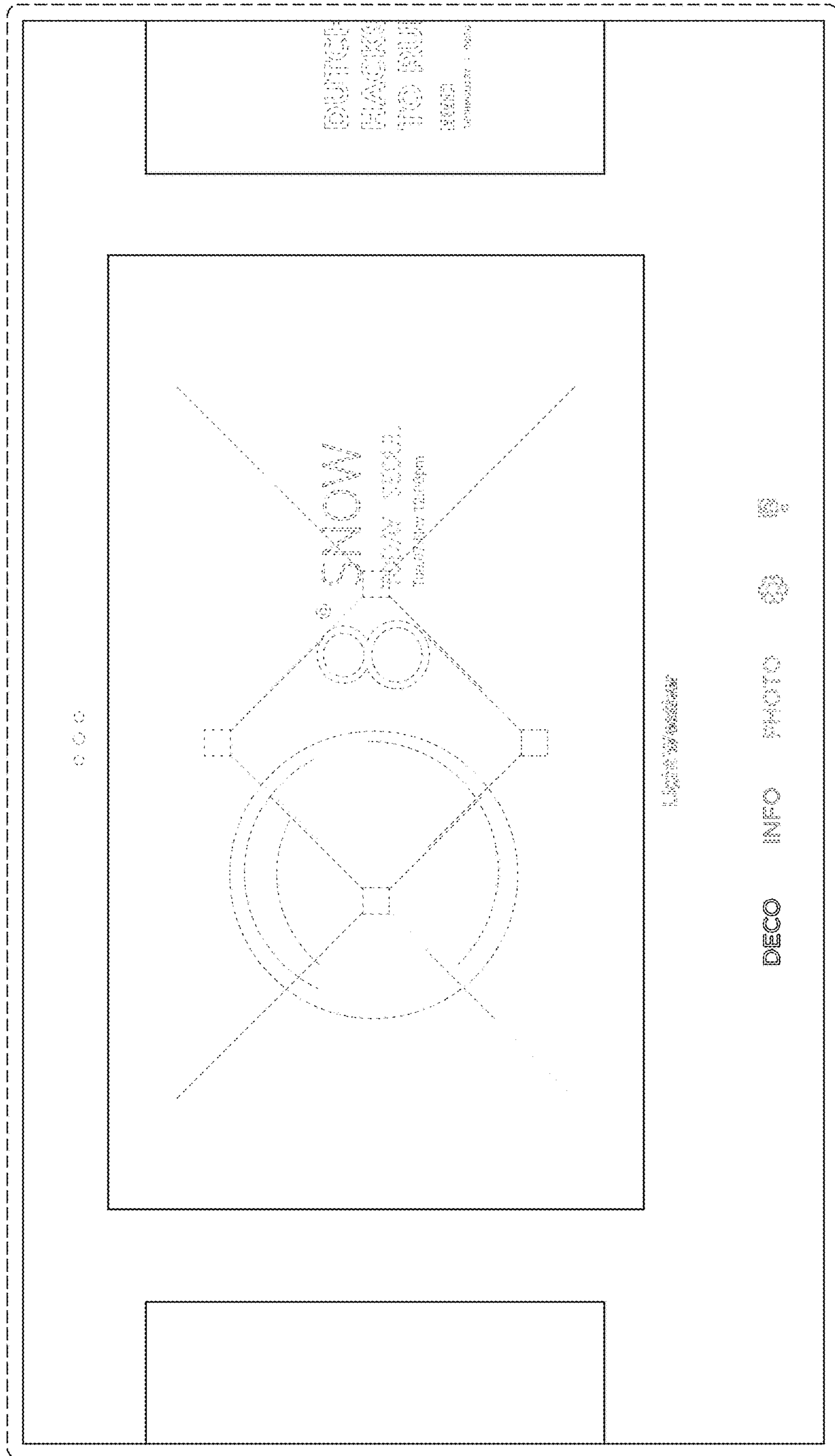


FIG. 5

